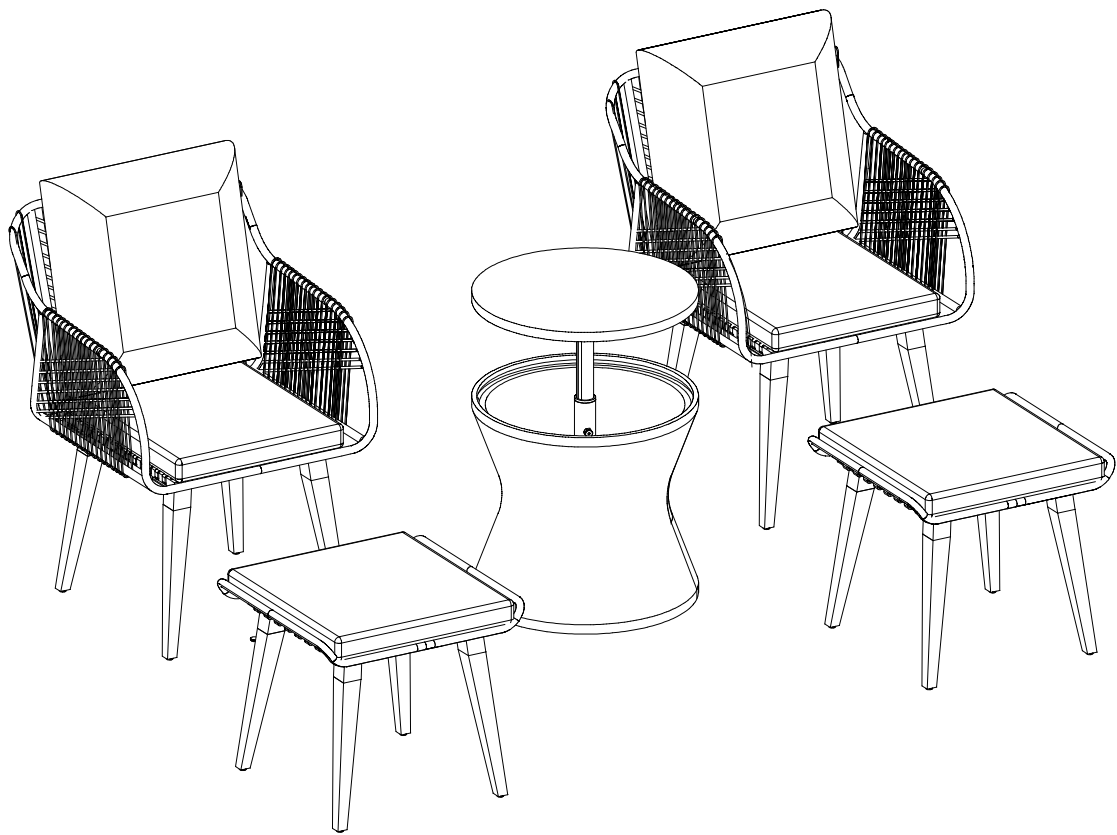


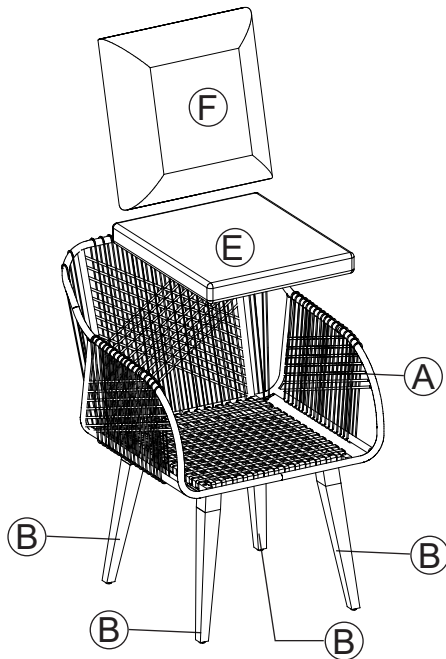
# ASSEMBLY INSTRUCTION

## *ROPE SOFA SET 5PCS*

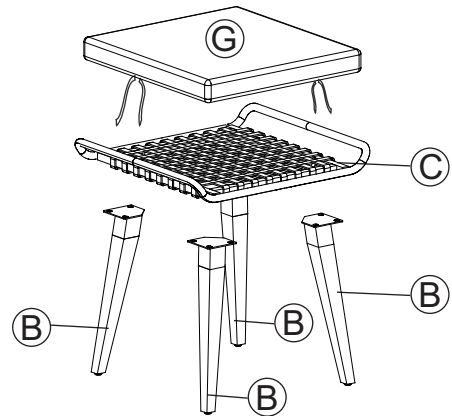


**WF324995**

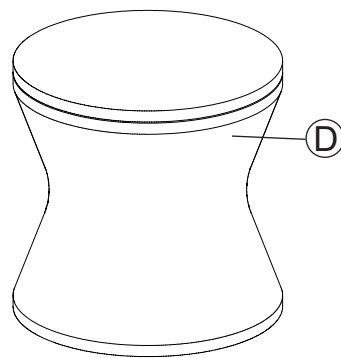
**X2**



**X2**



**X1**

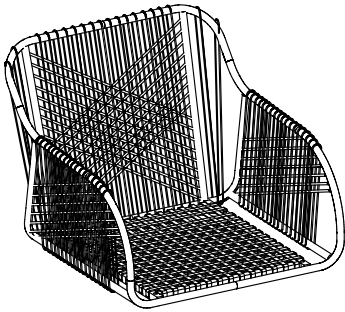


**Note:**

1. 50% Tighten before fixing all screws, Allen wrench is recommended instead of an electric drill.
2. Place the item on a flat ground to adjust and make sure it remains stable.
3. Tighten up all screw with tools gradually.
4. If screw are not aligned with holes during assembly, please loosen all the other screws to 50% and continue the assembly process.
5. If the item is not stable, please loosen all screws, adjust it on a flat ground and tighten up all screws again.
6. Note: If one or some screws are fully tighten during assembly, chances are the others will not be aligned with holes. In addition, all the holes are designed to be relatively larger to provide more space for the adjustment of the screws.

CARTON CONTENT:

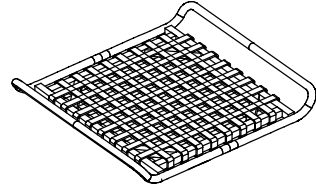
**WF324995**



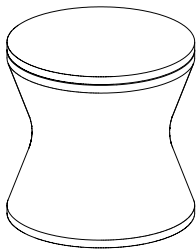
Ⓐ x 2



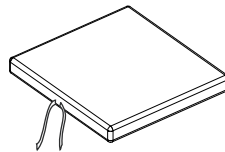
Ⓑ x 16



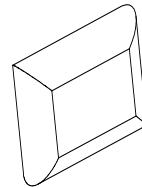
Ⓒ x 2



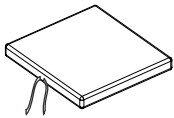
Ⓓ x 1



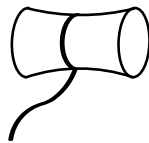
Ⓔ x 2



Ⓕ x 2



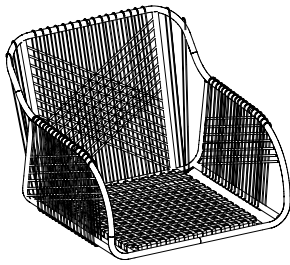
Ⓖ x 2



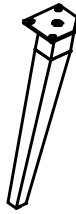
Hardware

## Part List:

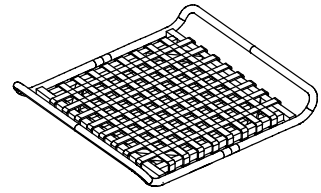
Ⓐ x 2



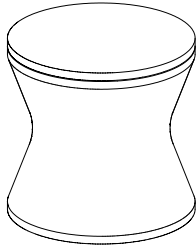
Ⓑ x 16



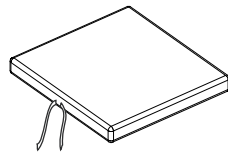
Ⓒ x 2



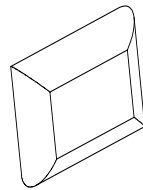
Ⓓ x 1



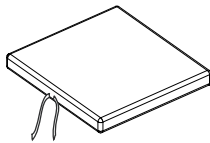
Ⓔ x 2



Ⓕ x 2



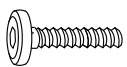
Ⓖ x 2



## Hardware List:

① x 48

Extra 2 pcs



BOLT M6 x 15MM

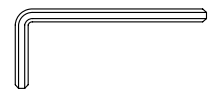
② x 48

Extra 2 pcs



WASHER M6/1

③ x 2

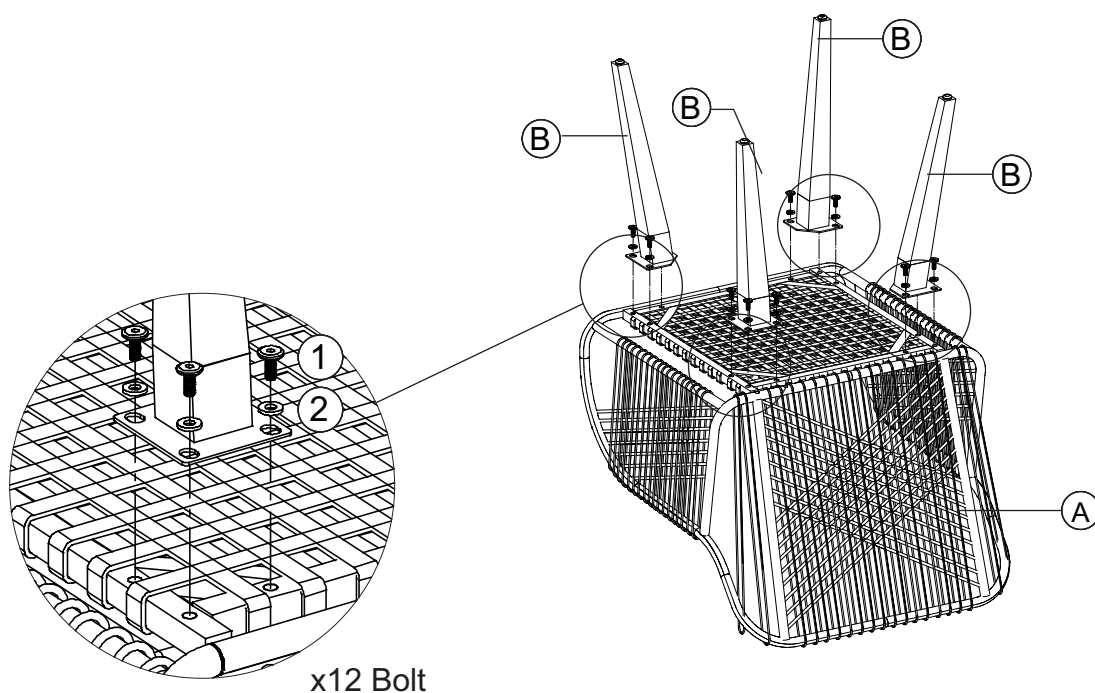


ALLEN KEY M4

## STEP 1

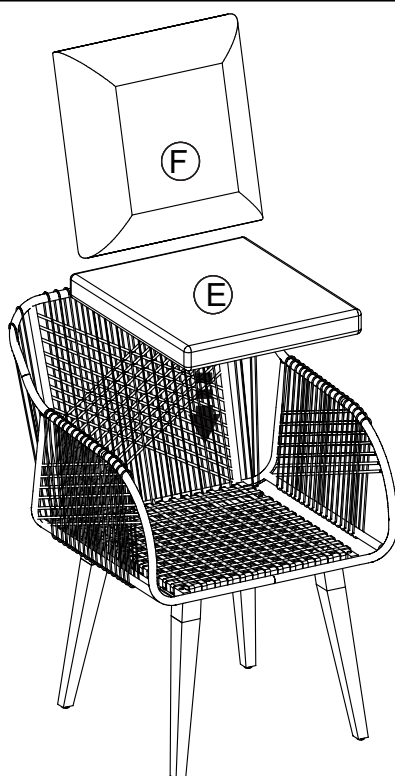
① x 12

② x 12



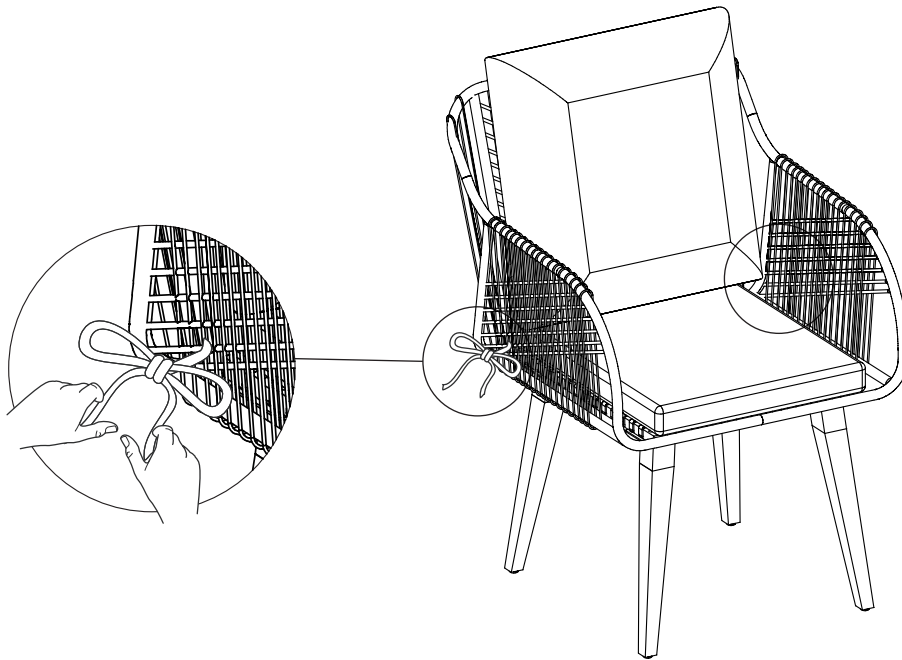
Connect the chair (A) & leg (B), tighten bolt (1), flat washer (2) with allen key (3).

## STEP 2

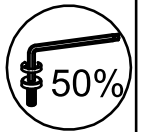


Put on cushion seat chair (E) & cushion back (F).

### STEP 3

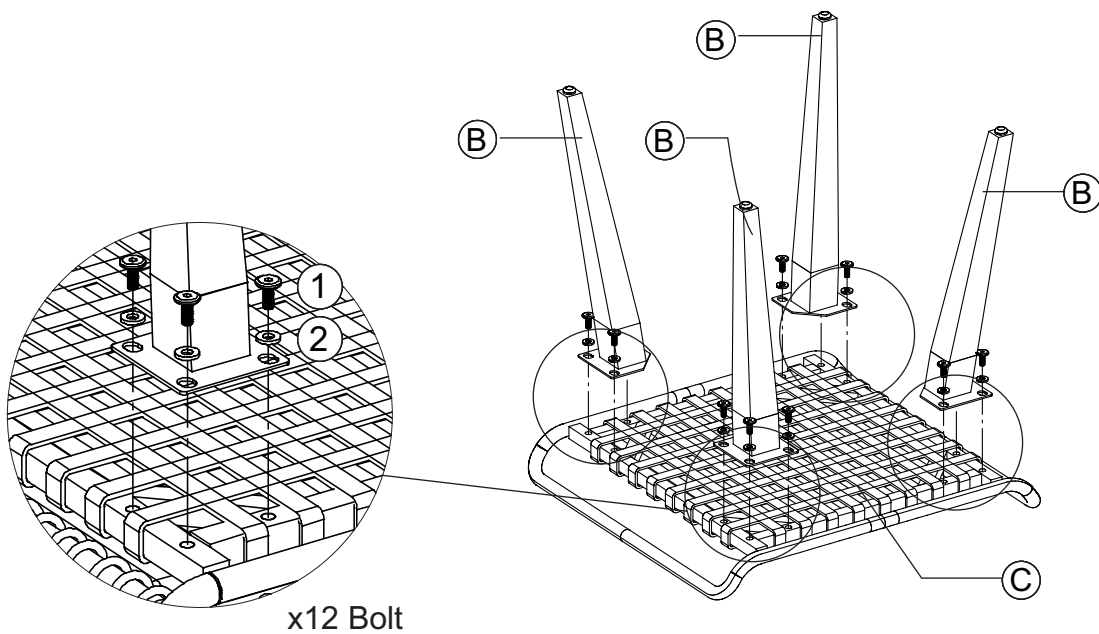


### STEP 4



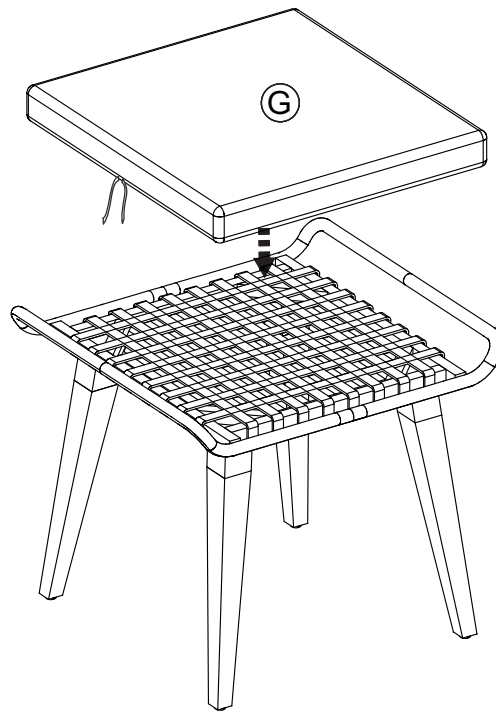
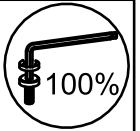
① x 12

② x 12



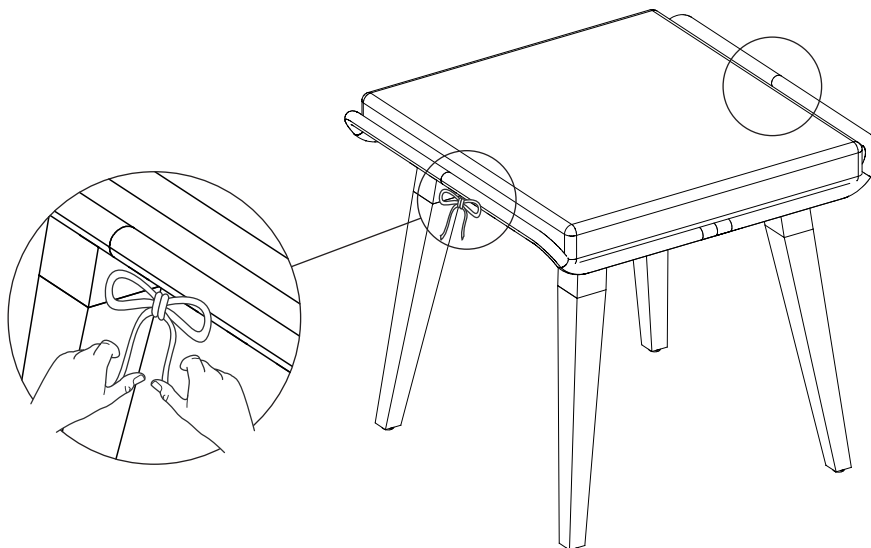
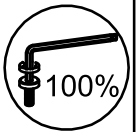
Connect the seat stool ( C ) & leg ( B ), tighten bolt ( 1 ), flat washer ( 2 ) with allen key ( 3 ).

## STEP 5

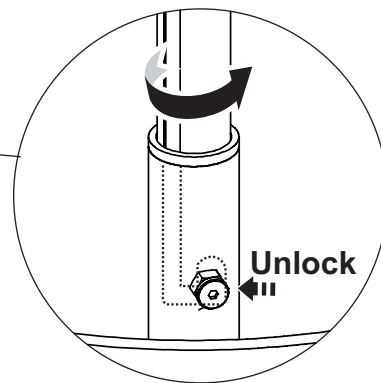
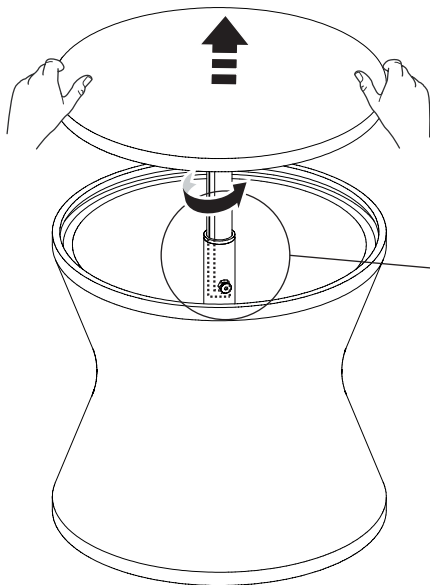
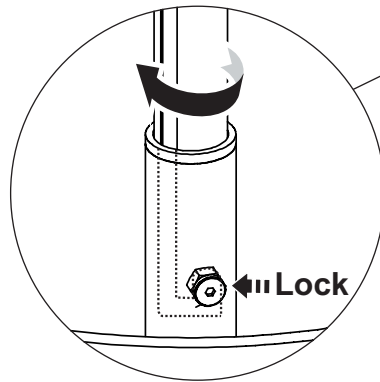
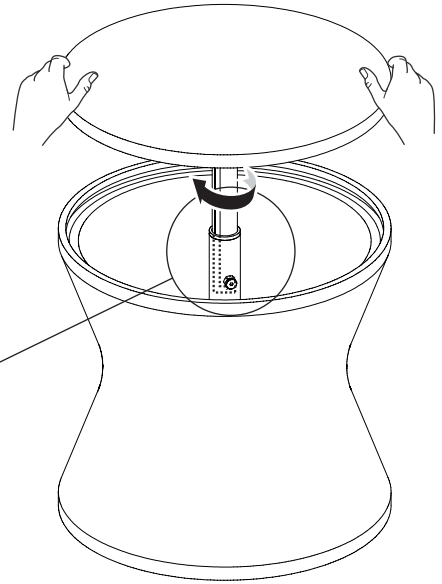
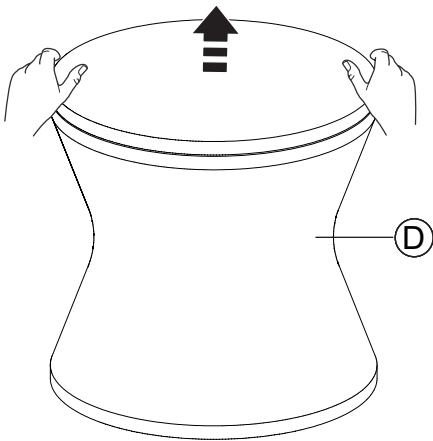
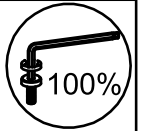


Put on cushion seat stool (G) .

## STEP 6

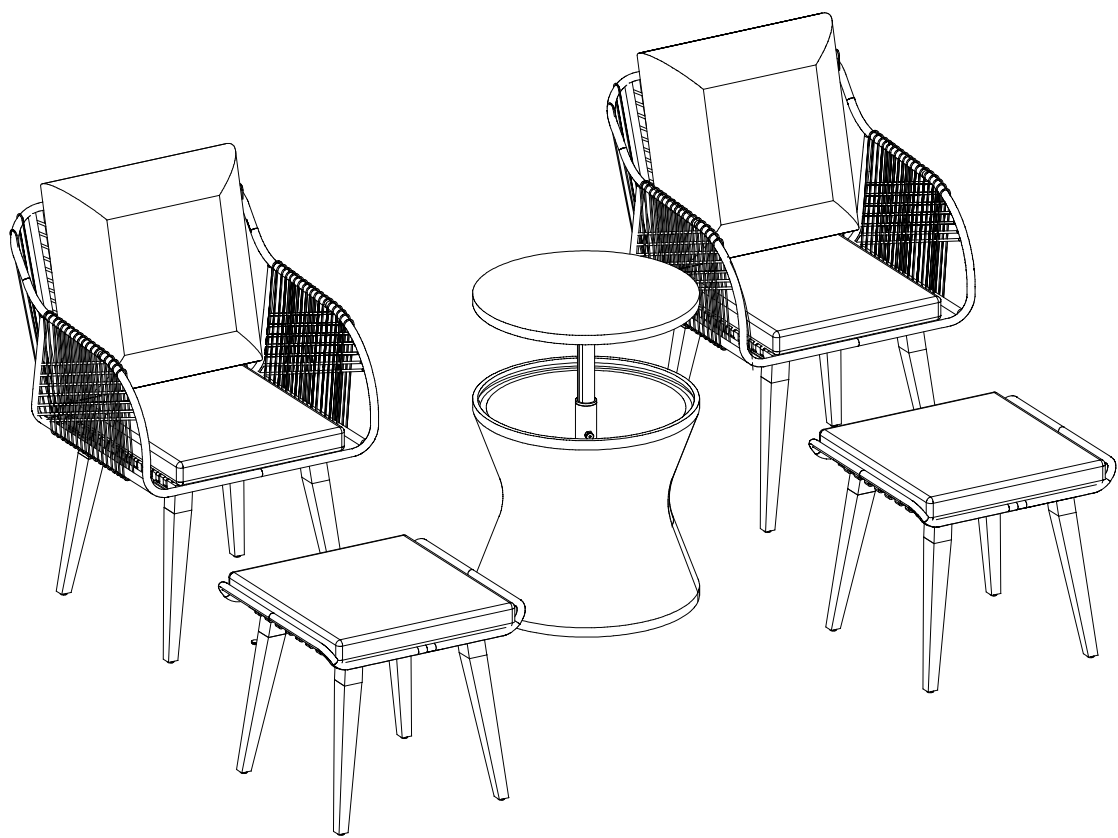


# STEP 7





STEP 8



Finish