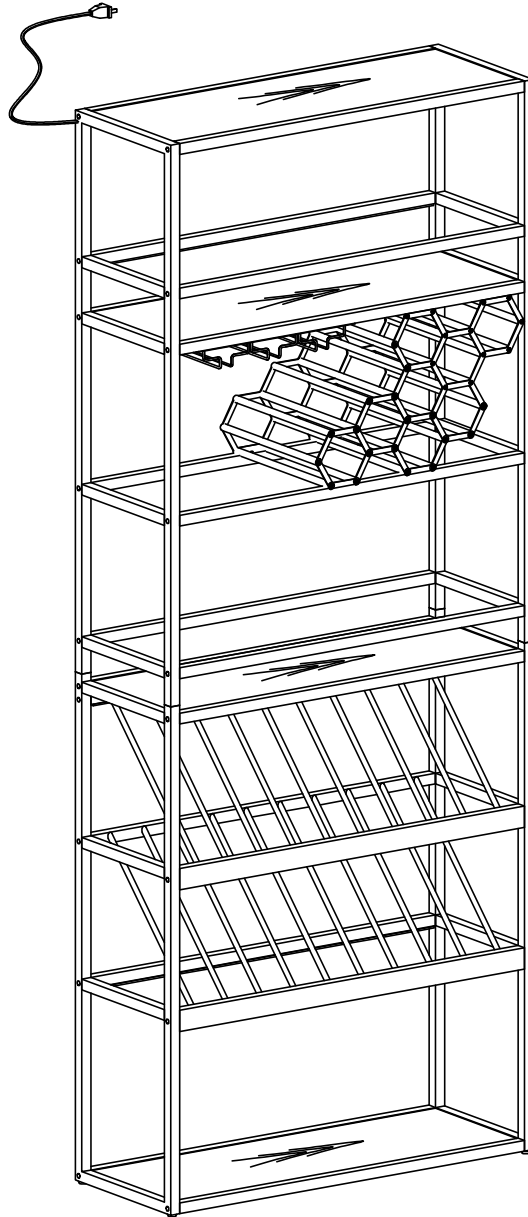


BAR CABINET

WF322558



IMPORTANT NOTE:

- PLACE ALL PARTS ON A CLEAN AND SMOOTH SURFACE SUCH AS A RUG OR CARPET TO AVOID THE PARTS FROM BEING SCRATCHED.
- BEFORE YOU BEGIN, KINDLY FOLLOW THE ASSEMBLY INSTRUCTIONS STEP BY STEP.
- DO NOT TIGHTEN ALL SCREWS AND BOLTS UNTIL THE PRODUCT FULLY SET-UP.



Safety and Care Advice

Important – Please read these instructions fully before starting assembly

- Check you have all the components and tools listed on the following pages.
- Remove all fittings from the plastic bags and separate them into their groups.
- Keep children and pets away from the installation area, which may cause choking if small parts are swallowed.
- Make sure you have enough space to layout the parts before starting.

- Do not stand or apply weight to the product during assembly. This may cause damage.
- Assemble the item as close to its final position (in the same room) as possible.
- Assemble on a soft level surface to avoid damage to the unit or floor.
- It's easier for two people to assemble the parts together.



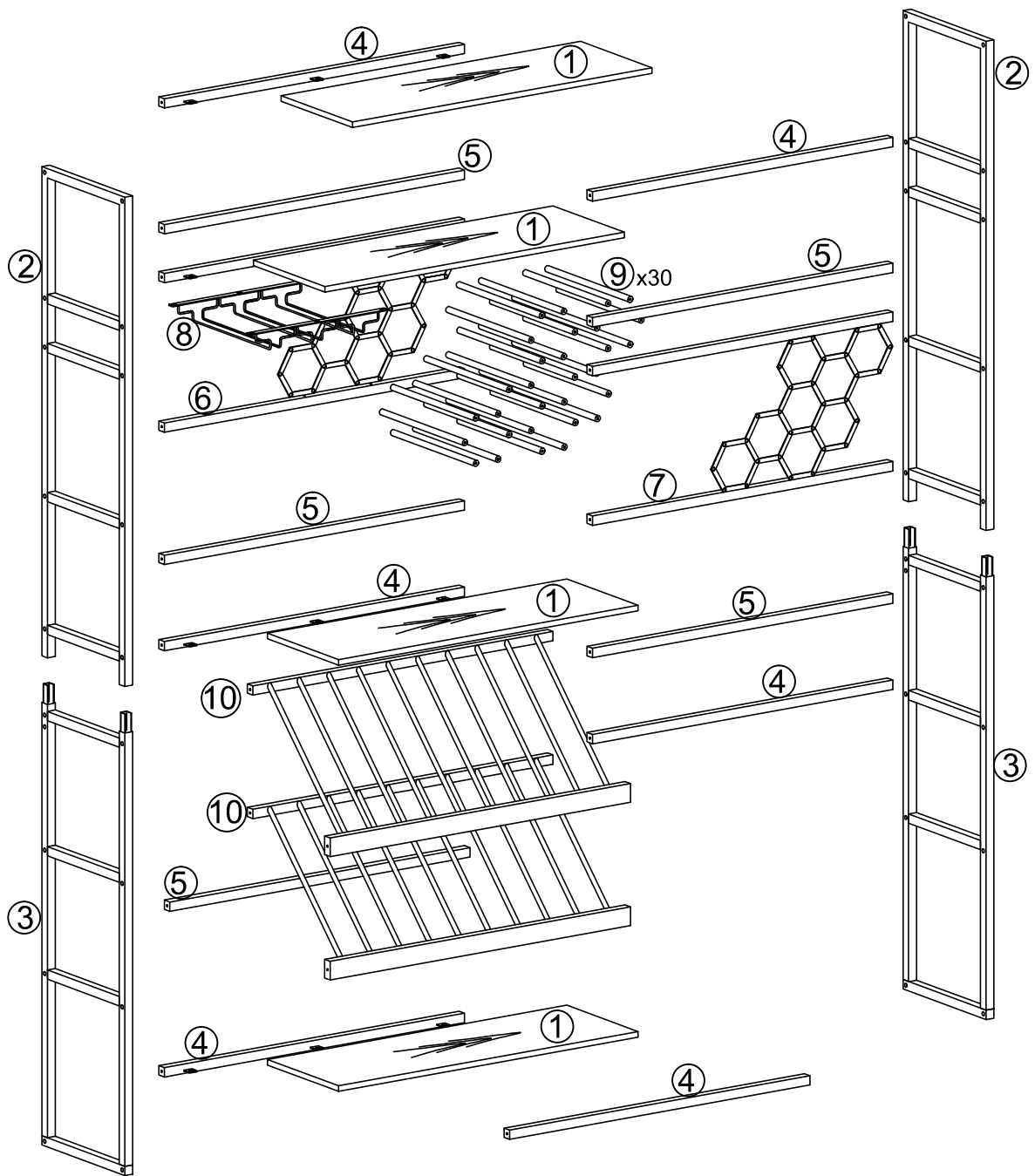
- To reduce the likelihood of damage to your product, make sure your power drill is set to a low torque setting.


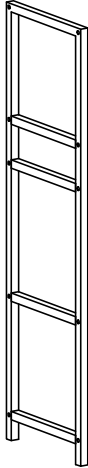
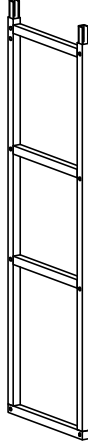


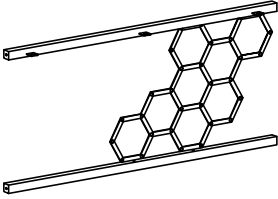
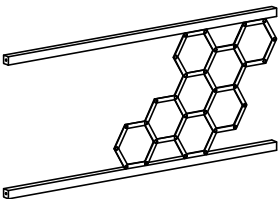
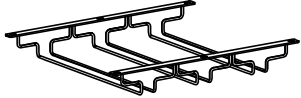
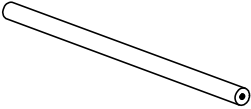
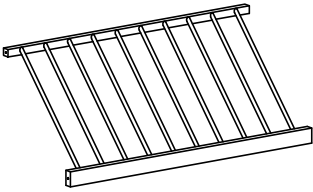
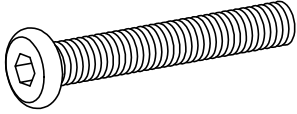
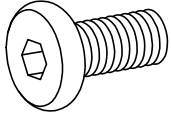
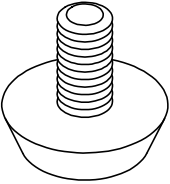




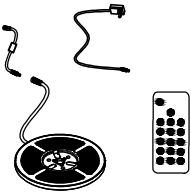
Care and maintenance

- Only clean using a damp cloth and mild detergent, do not use bleach or abrasive cleaners.
- Check for loose screws on this unit from time to time.
- This product should not be discarded with household waste. Take to your local authority waste disposal centre.

Handy Hints

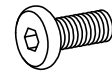
- Assemble all parts and bolts loosely during assembly, only once the product is complete should you fully tighten the bolts
- Regularly check and ensure that all bolts and fittings are correctly tightened.



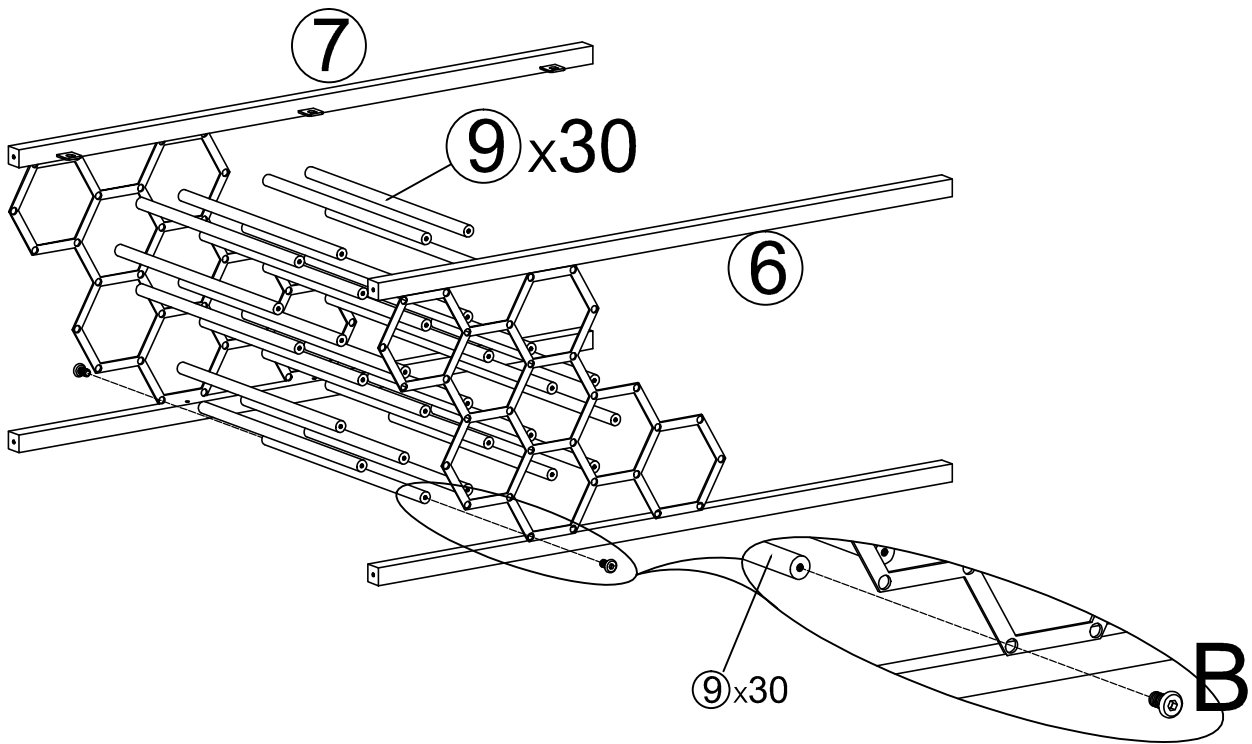
 <p>①x4</p>	 <p>②x2</p>	 <p>③x2</p>	 <p>④x6</p>
 <p>⑤x5</p>	 <p>⑥x1</p>	 <p>⑦x1</p>	 <p>⑧x1</p>
 <p>⑨x30</p>	 <p>⑩x2</p>	 <p>M6*40 A x38</p>	 <p>M6*10 B x98</p>
 <p>C x4</p>	 <p>D x2</p>	 <p>M4 E x1</p>	 <p>Φ6*40 F x2</p>
 <p>4.0*50 G x2</p>	 <p>H x1</p>		

STEP 1

B

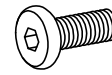


60

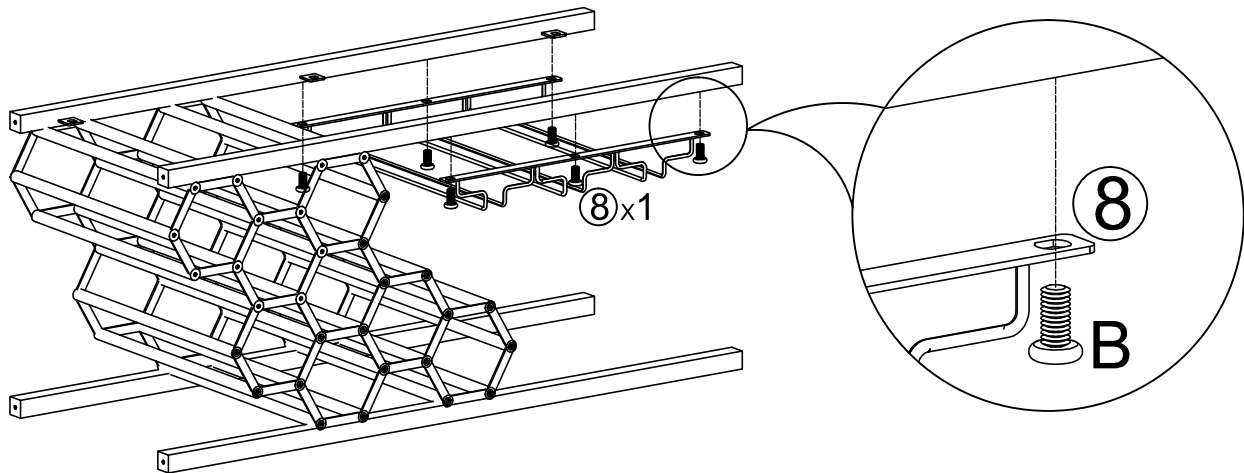


STEP 2

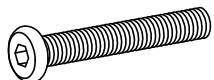
B

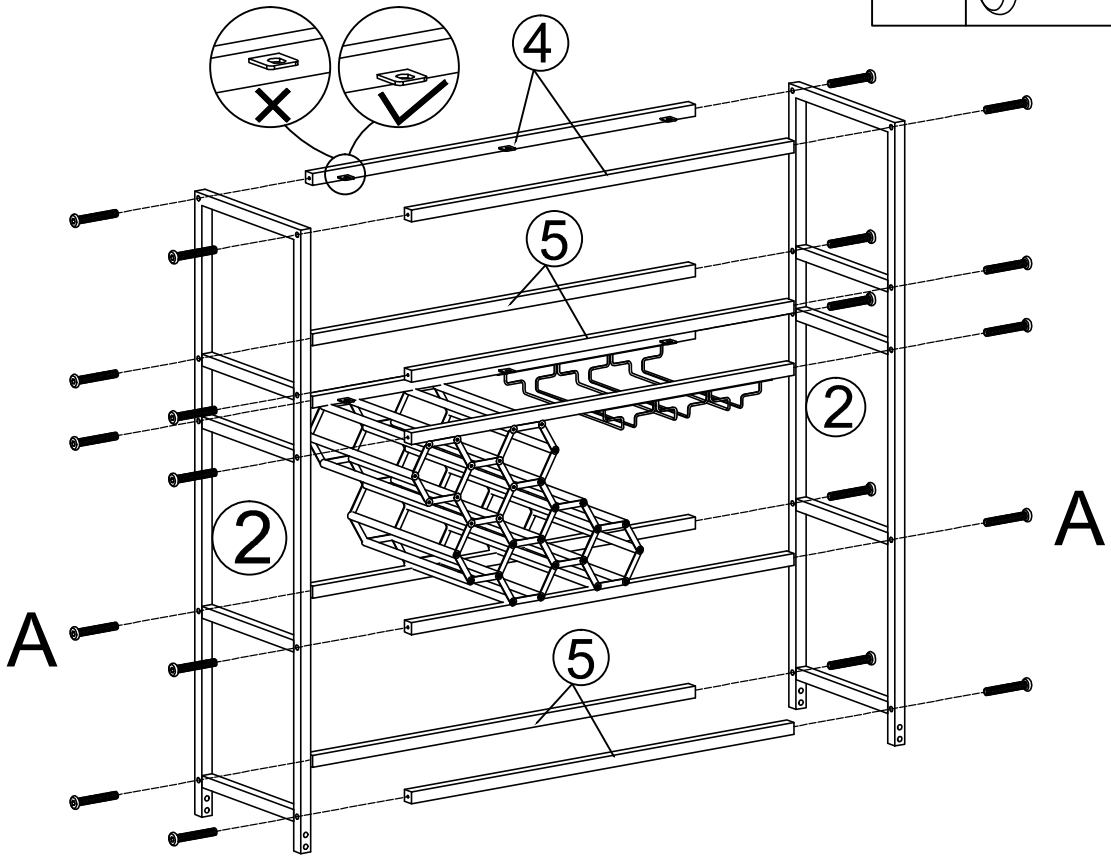


6

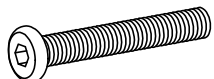
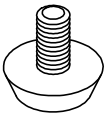


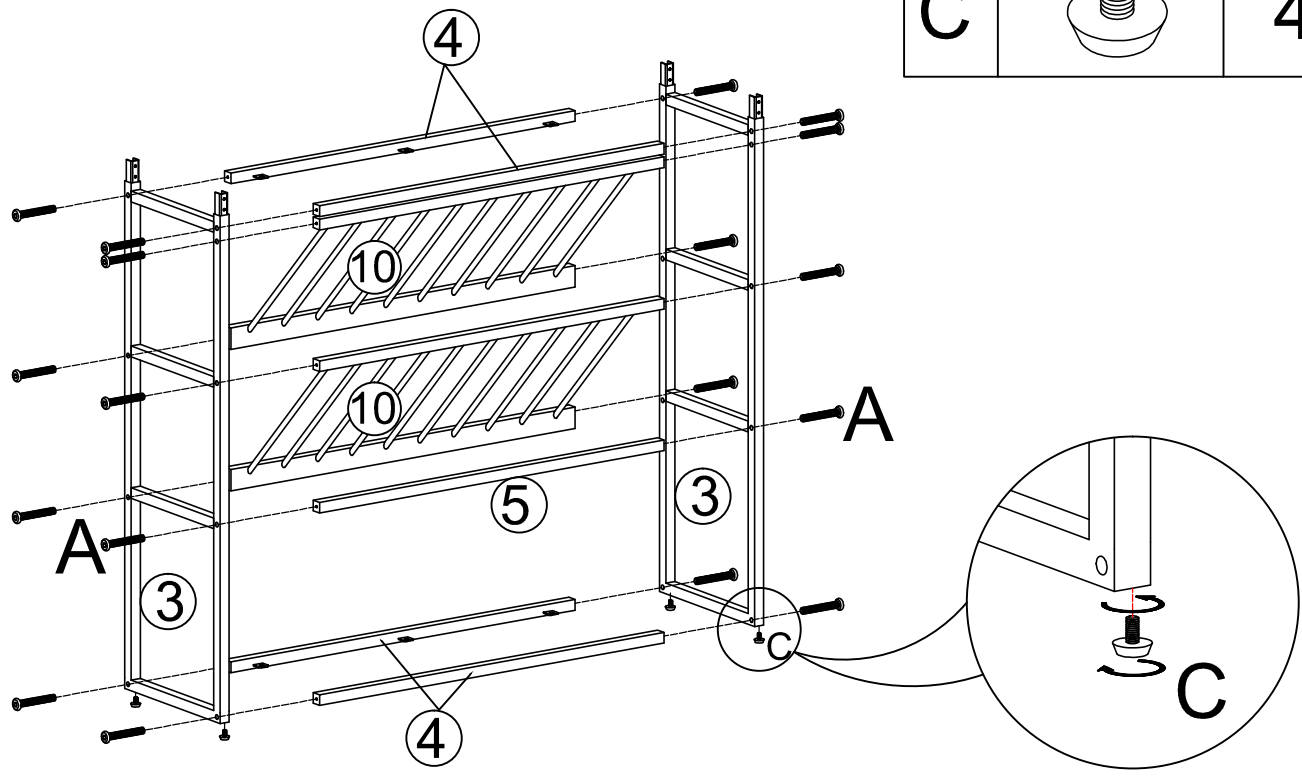
STEP 3

A		20
---	---	----



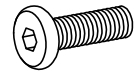
STEP 4

A		18
C		4

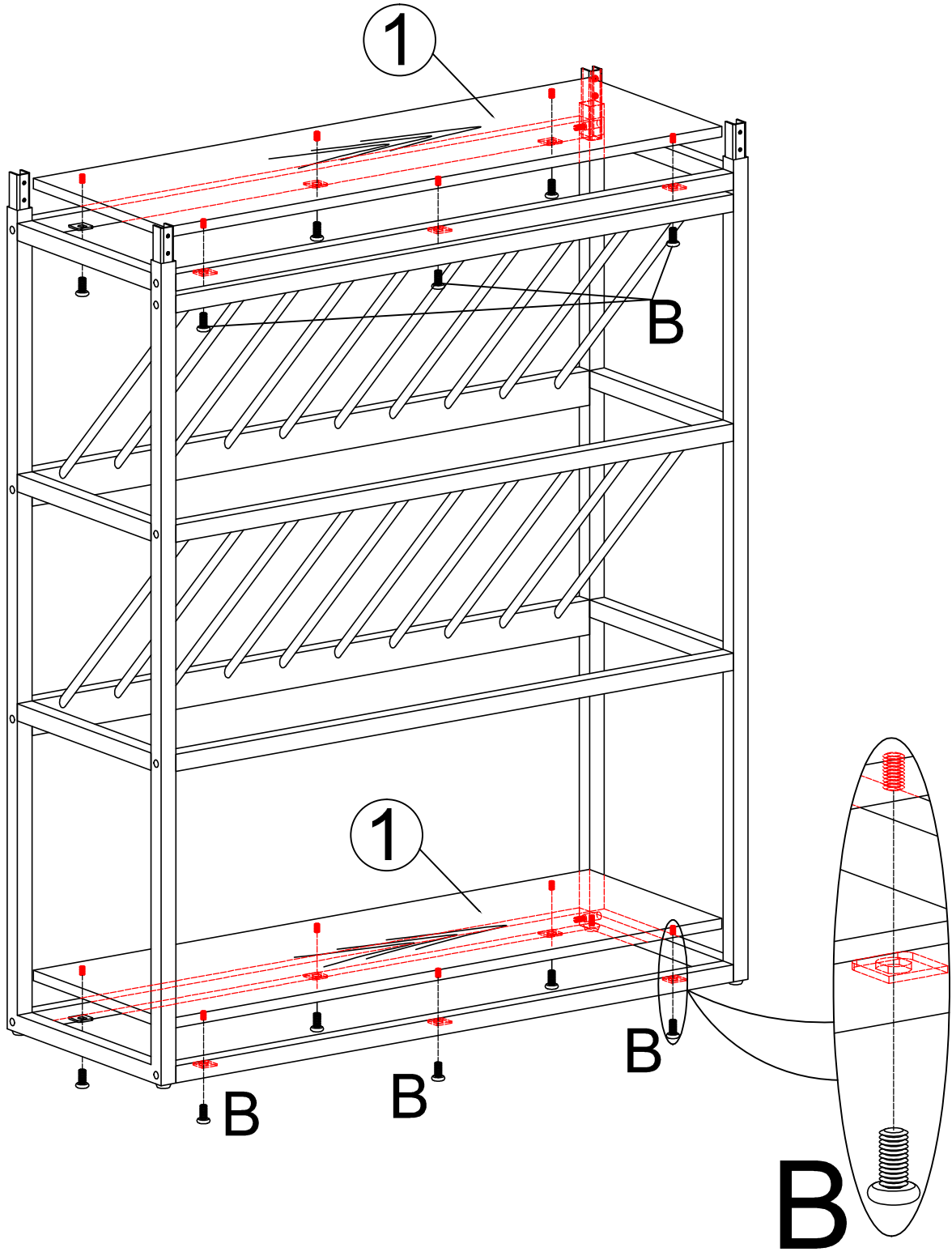


STEP 5

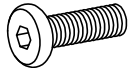
B

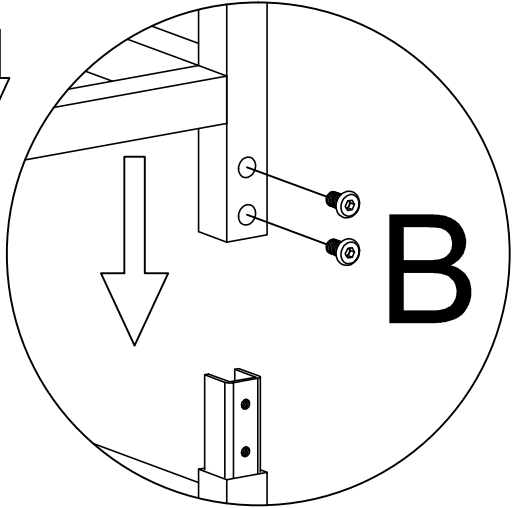
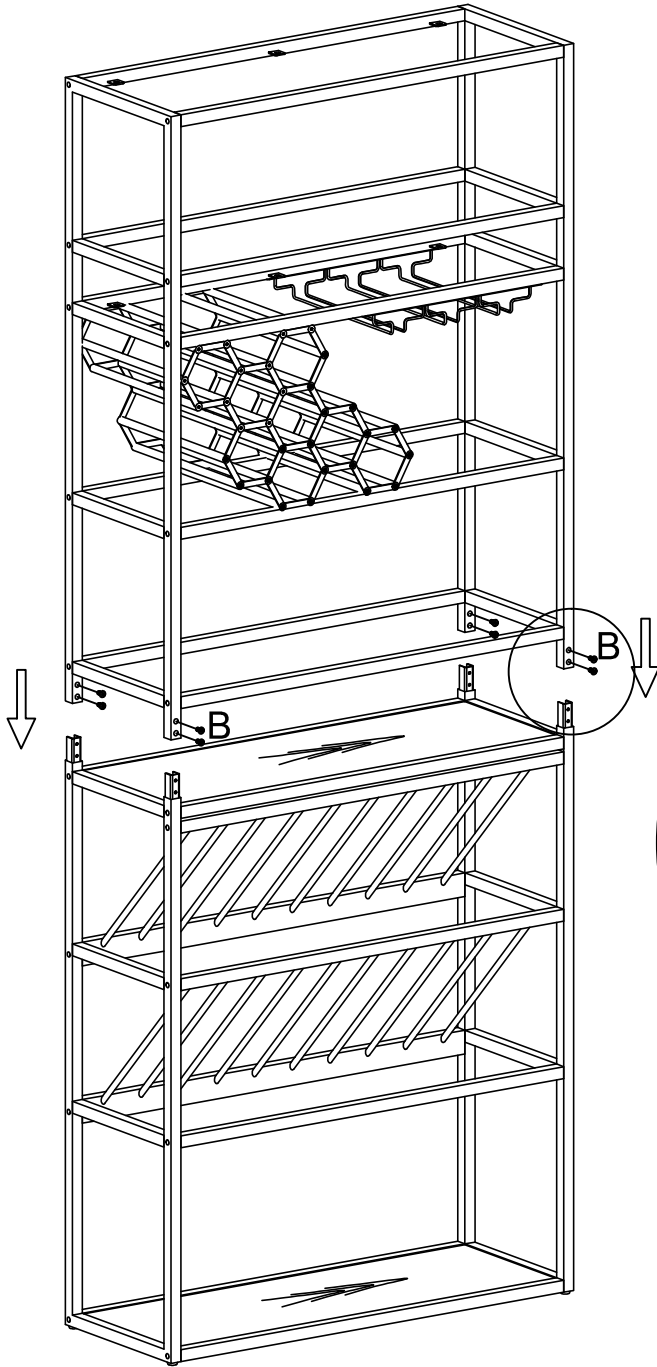


12

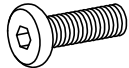


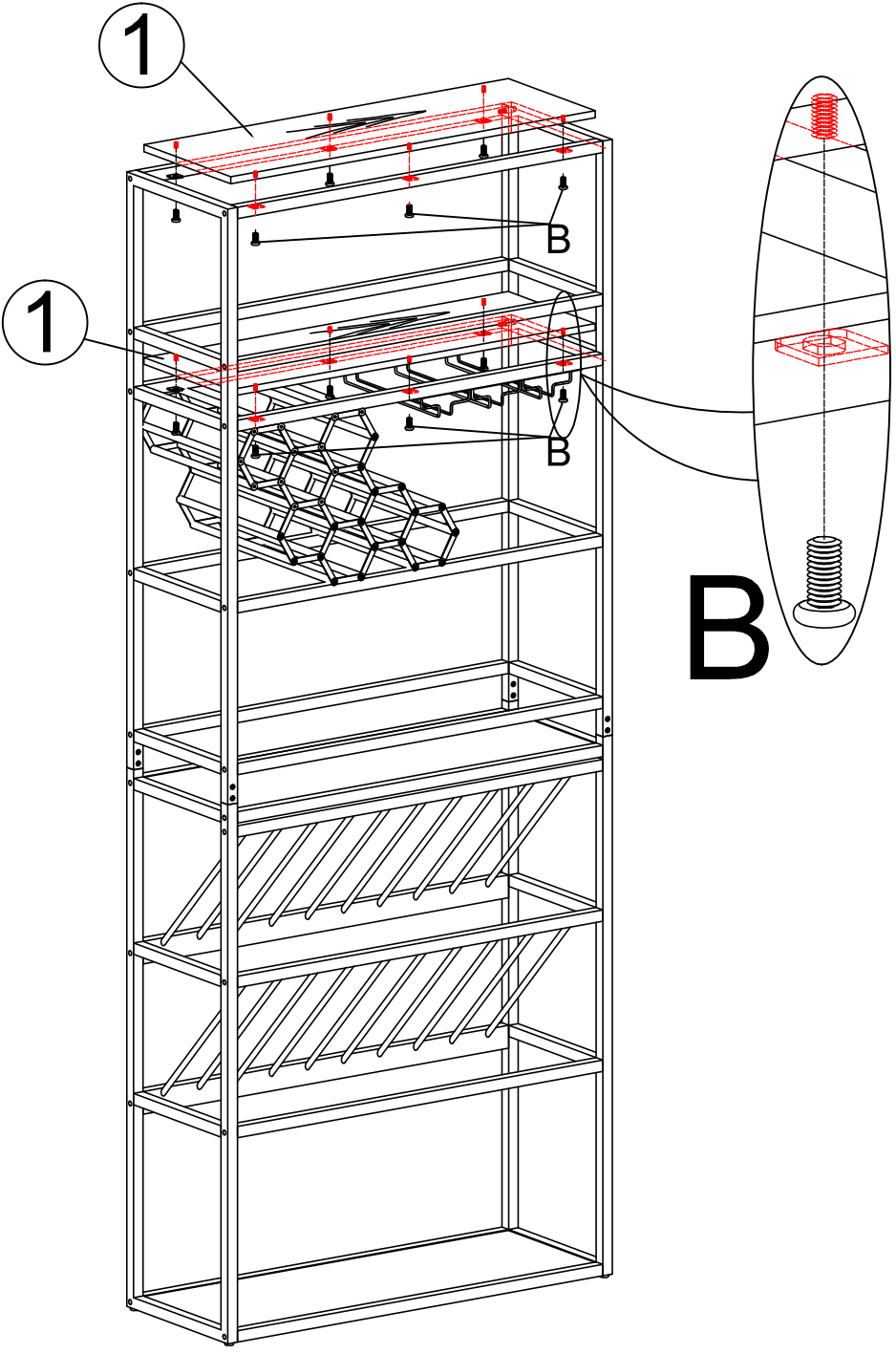
STEP 6

B		8
---	---	---

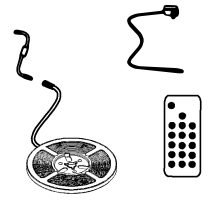


STEP 7

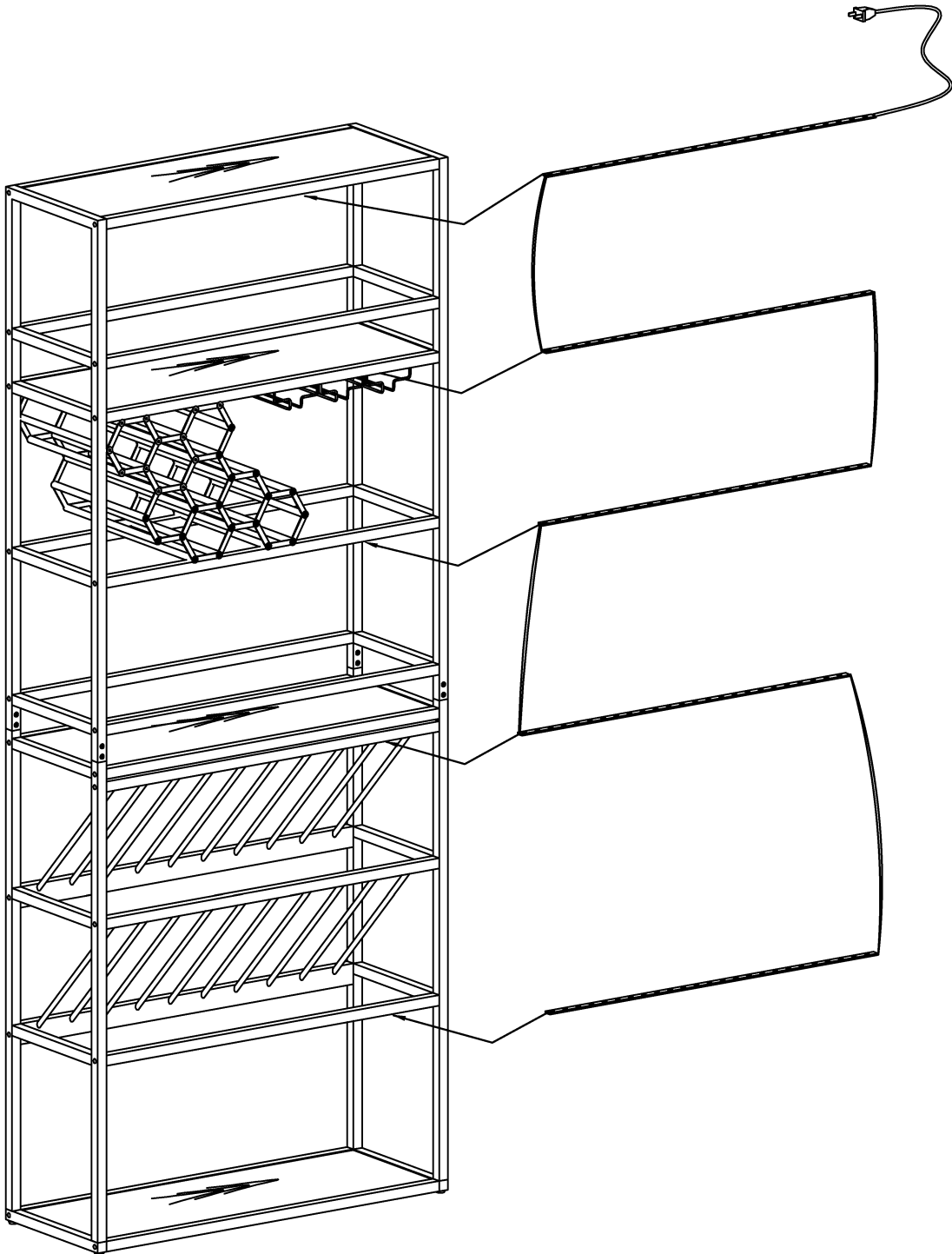
B		12
---	---	----



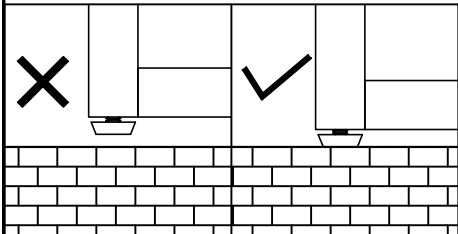
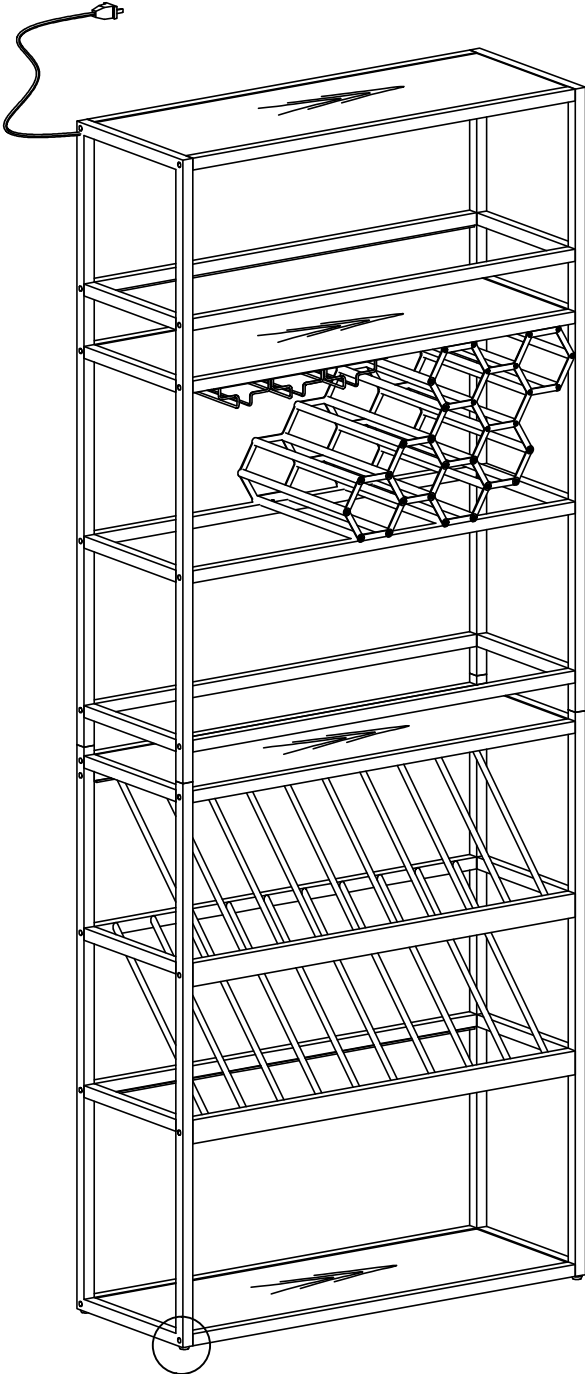
STEP 8






E x1



STEP 9



STEP 10

D		2
F		2
G		2

