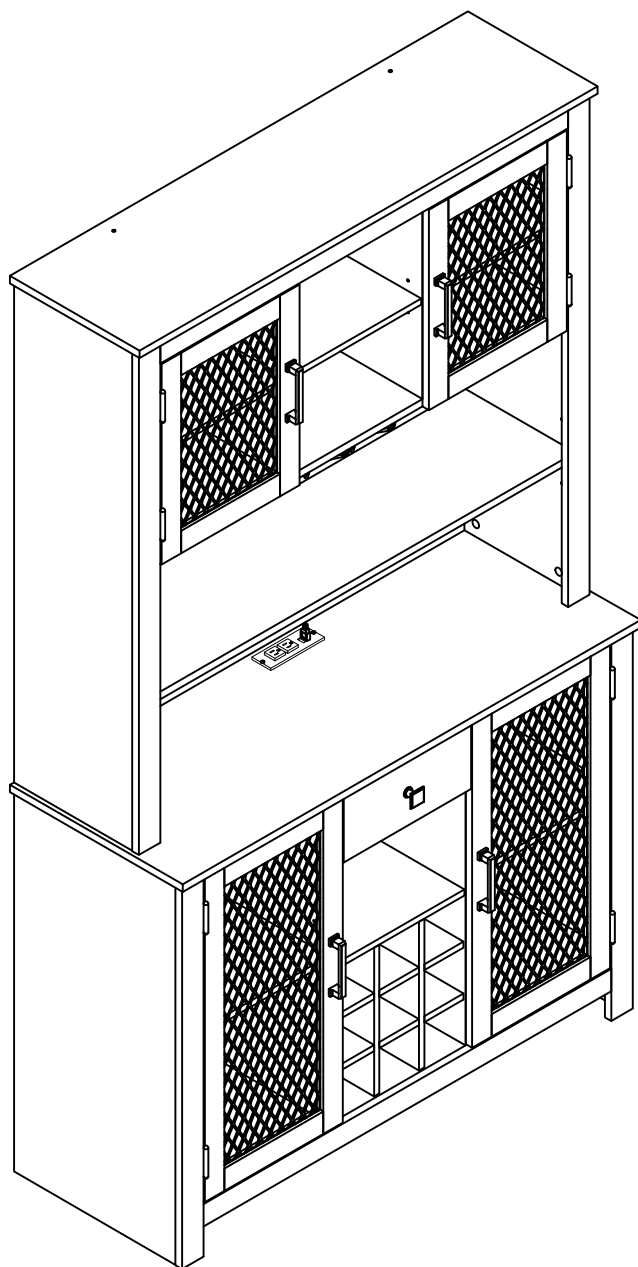


Bar Cabinet WF320355AAK/WF320356AAK

Assembly Instructions - Please keep for future reference



Two people are required to assemble and move this model.

Important – Please read these instructions fully before starting assembly

Safety and Care Advice

Important – Please read these instructions fully before starting assembly

- Check you have all the components and tools listed on the following pages.
- Remove all fittings from the plastic bags and separate them
- Keep children and pets away from the installation area, which may cause choking if small parts are swallowed.
- Make sure you have enough space to layout the parts before

- Do not stand or apply weight to the product during assembly. This may cause damage.
- Assemble the item as close to its final position (in the same room) as possible.
- Assemble on a soft level surface to avoid damage to the unit or floor.
- It's easier for two people to assemble the parts together.



- To reduce the likelihood of damage to your product, make sure your power drill is set to a low torque setting.

Care and maintenance

- Only clean using a damp cloth and mild detergent, do not use bleach or abrasive cleaners.
- Check for loose screws on this unit from time to time.
- This product should not be discarded with household waste. Take to your local authority waste disposal centre.

Handy Hints

- Assemble all parts and bolts loosely during assembly, only once the product is complete should you fully tighten the bolts
- Regularly check and ensure that all bolts and fittings are correctly tightened.

WARNING In order to help prevent overturning – please follow these instructions

To help prevent product toppling over please follow the below steps:-

Use the anti tip strap or wall fixing method provided (if applicable)
Do not allow children to climb or hang on the furniture
Do not open more than one drawer at a time
Do not place heavy items in the top drawers
Do not place heavy items on top of the furniture, unless the furniture has been designed for this purpose

please note that only the anti tip strap is provided.

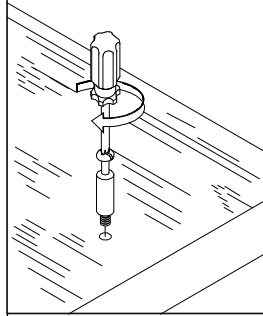
You will need to provide wall plugs and screws applicable for your wall type

Using Camlocks

Step 1

Connect the male camlock as directed in the assembly instructions using a screwdriver.

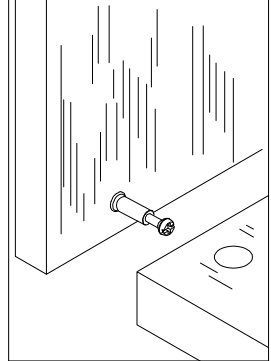
1 DO NOT OVER TIGHTEN.



Step 2

Push the male camlock into the entry hole.

2

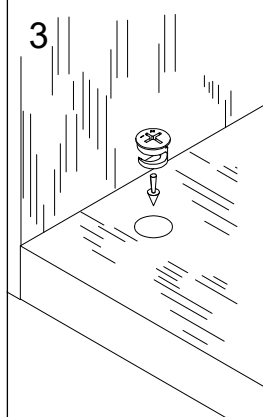


Step 3

Insert the female camlock as shown in the instruction.

Note: ensure that the arrow on the top of the camlock points towards the entry hole for the male camlock.

3



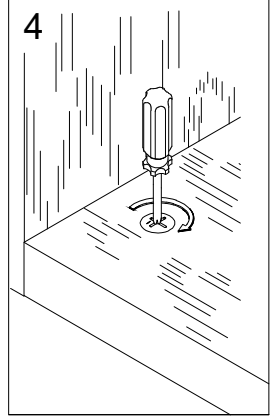
Step 4

Turn the female camlock clockwise with a screwdriver.

You should feel a click when the camlock is locked in place.

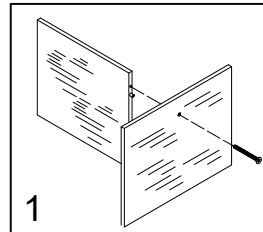
The joint is now secure.

4



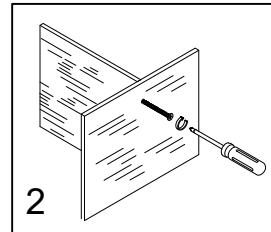
Step 1

1

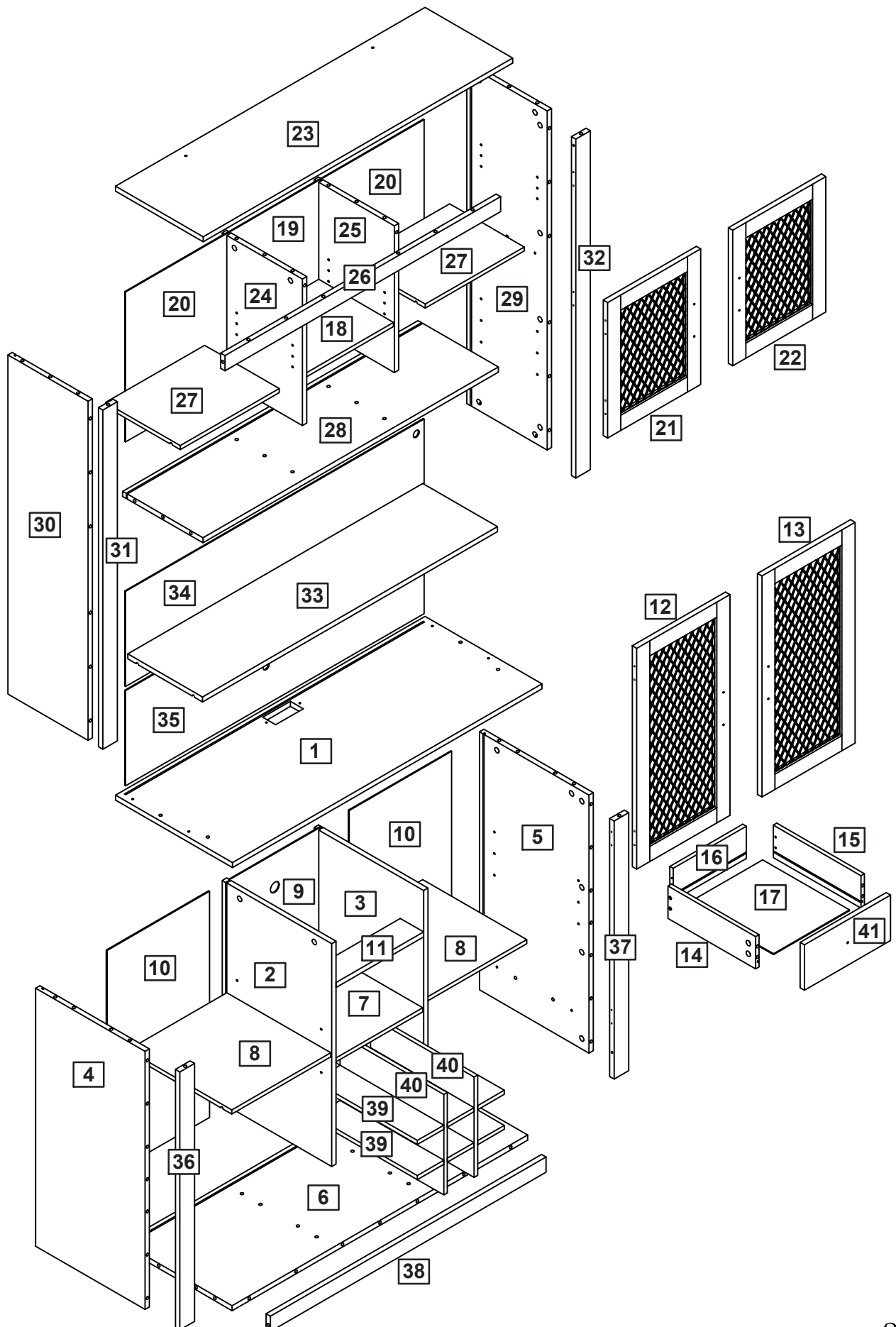


Step 2

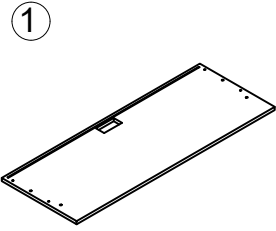
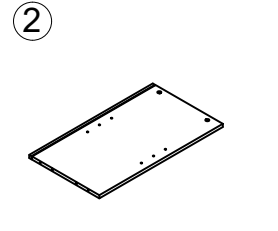
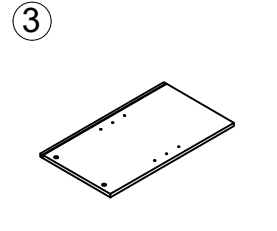
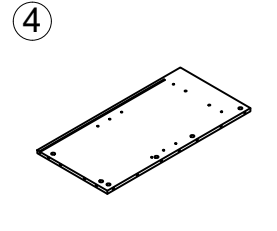
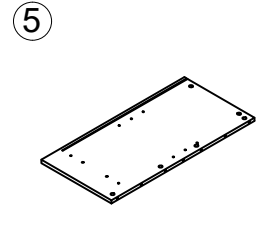
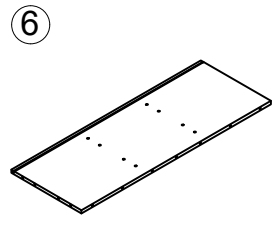
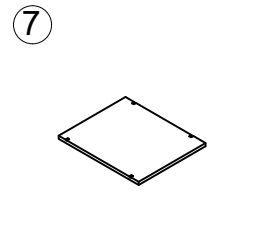
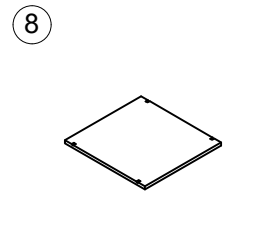
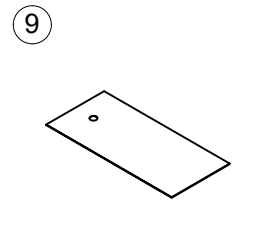
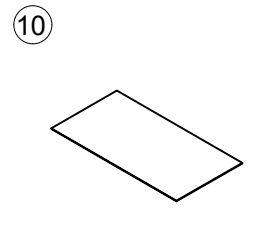
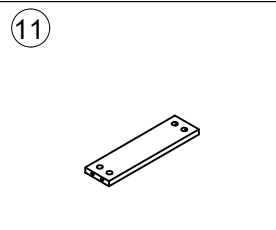
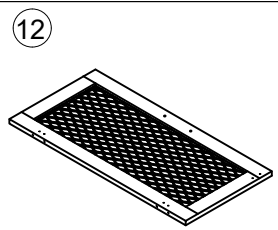
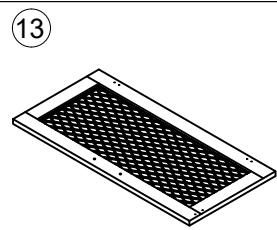
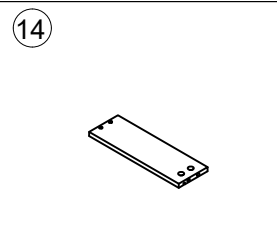
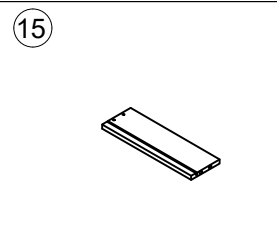
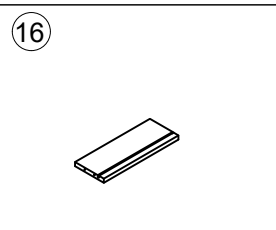
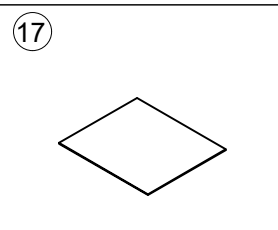
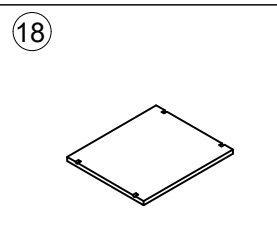
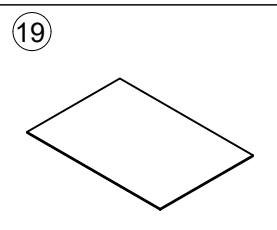
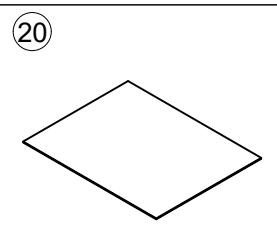
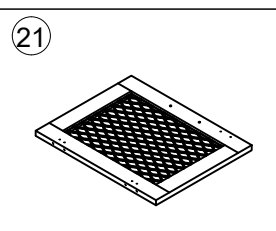
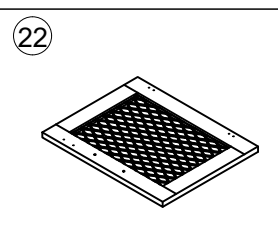
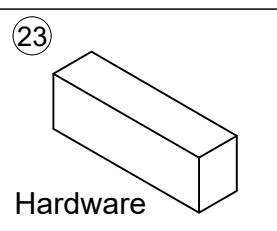
2



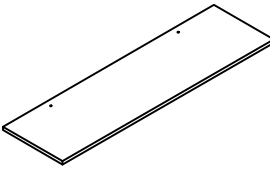
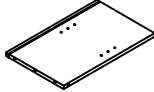
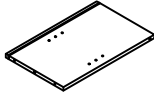
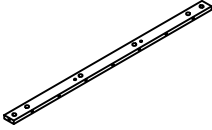
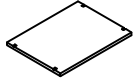
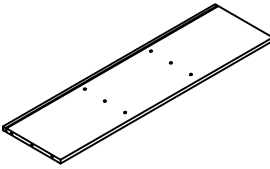
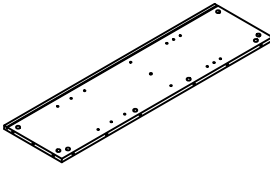
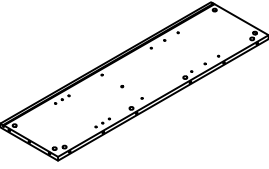
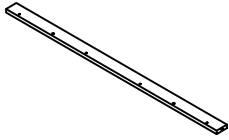
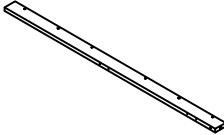
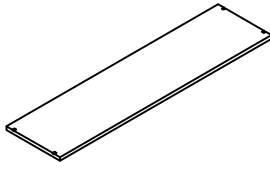
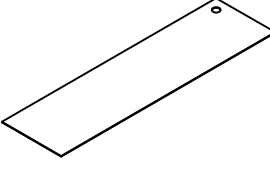
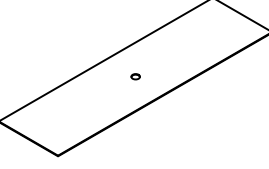
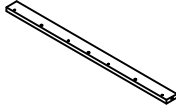
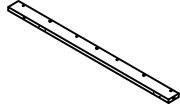
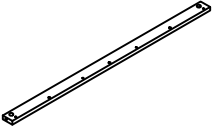
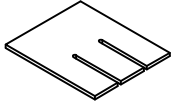
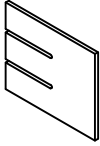
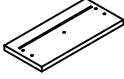
Assembly Instructions



Part List: WF320355AAK

 <p>1 PCS</p>	 <p>1 PCS</p>	 <p>1 PCS</p>	 <p>1 PCS</p>	 <p>1 PCS</p>
 <p>1 PCS</p>	 <p>1 PCS</p>	 <p>2 PCS</p>	 <p>1 PCS</p>	 <p>2 PCS</p>
 <p>1 PCS</p>	 <p>1 PCS</p>	 <p>1 PCS</p>	 <p>1 PCS</p>	 <p>1 PCS</p>
 <p>1 PCS</p>	 <p>1 PCS</p>	 <p>1 PCS</p>	 <p>1 PCS</p>	 <p>2 PCS</p>
 <p>1 PCS</p>	 <p>1 PCS</p>	 <p>Hardware 1 PCS</p>		

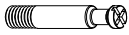




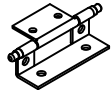




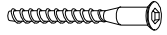

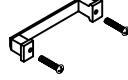



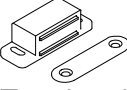


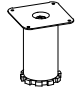

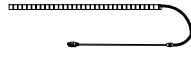


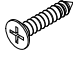
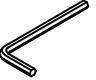
Part List: WF320356AAK

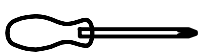
<p>②③</p>  <p>1 PCS</p>	<p>②④</p>  <p>1 PCS</p>	<p>②⑤</p>  <p>1 PCS</p>	<p>②⑥</p>  <p>1 PCS</p>	<p>②⑦</p>  <p>2 PCS</p>
<p>②⑧</p>  <p>1 PCS</p>	<p>②⑨</p>  <p>1 PCS</p>	<p>③⑩</p>  <p>1 PCS</p>	<p>③①</p>  <p>1 PCS</p>	<p>③②</p>  <p>1 PCS</p>
<p>③③</p>  <p>1 PCS</p>	<p>③④</p>  <p>1 PCS</p>	<p>③⑤</p>  <p>1 PCS</p>	<p>③⑥</p>  <p>1 PCS</p>	<p>③⑦</p>  <p>1 PCS</p>
<p>③⑧</p>  <p>1 PCS</p>	<p>③⑨</p>  <p>2 PCS</p>	<p>④⑩</p>  <p>2 PCS</p>	<p>④①</p>  <p>1 PCS</p>	

Hardware list: WF320355AAK

Please check you have all the panels listed below

Note: The quantitie below are the correcet amount to complete the assembly. In some cases more fittings may be supplied than are required.

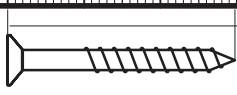
A  Male Camlock x 64	B  Female Camlock x 64	C  Dowel (8x30) x 50
D  Drawer slider 12" X 1	E  3*12mm Screw x 8	F  Door Hinge x 8
G  3*14mm Screw x 68	H  3*16mm Screw x 32	I  Plasticwedge x 32
J  4*30mm Screw x 4	K  6*48mm Screw x 8	L  Shelf Support Pin x 28
M  Handle & Fixings x 4	N  Handle & Fixings x 1	O  Cup holder x 1
P  4*14mm Screw x 8	Q  Magnet Touch x 4	R  Wall Fixing Pack x 2
S  1010mm x 1	T  Adjustable Foot x 1	U  Ø20 Sticker x 36
V  Light Strip x 1	W  Wire Holder x 2	X  Socket x1
Y  3.5*14mm Screw x 2	Z  Hex Key M4 x 1	



Phillips screwdriver
(medium & large)

Ruler - Use this ruler to help correctly identify the screws

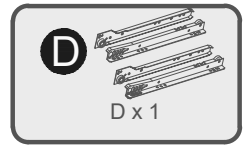
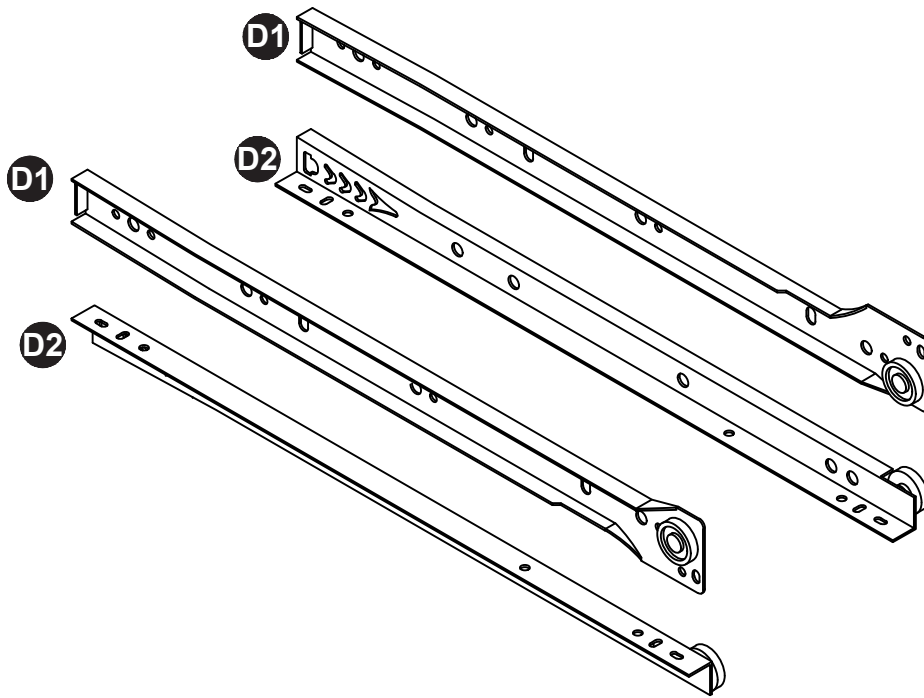
0 5 10 15 20 25 30 35 40 45 50 55 60 65 70 75 80 85 90 95 100 105 110 115 120 125 130 135 140 145 150 155 160 165 170



The screws length is measured from the head to the point (30mm screw shown).

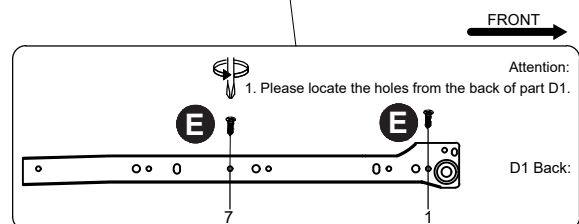
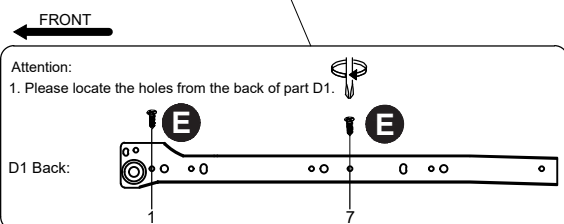
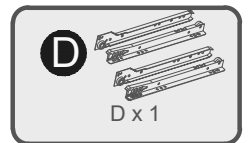
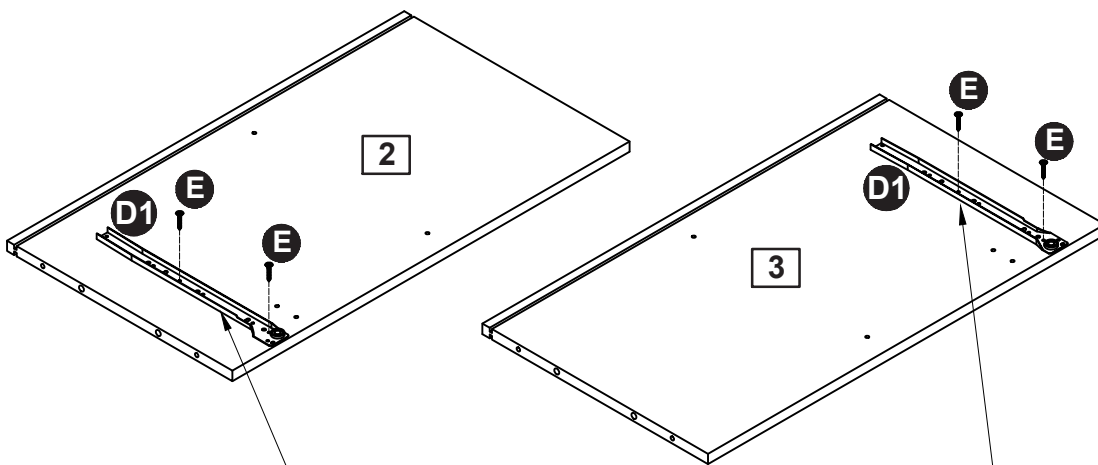
Assembly Instructions

Step 1



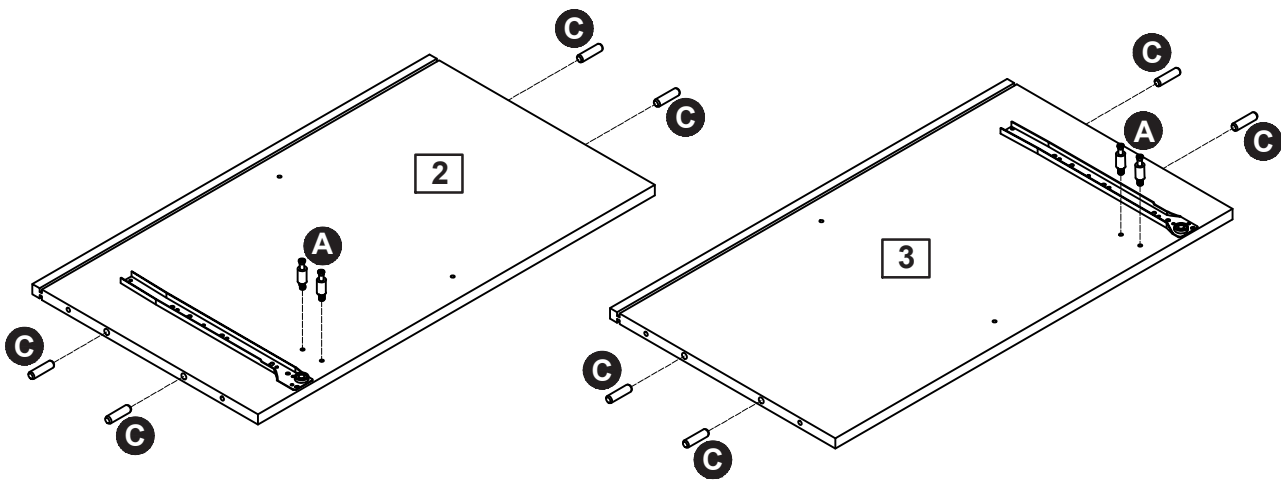
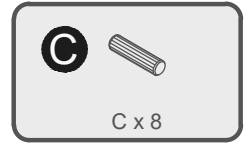
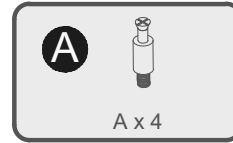
D1 installed on No.1 and 2(Step2)
 D2 installed on the bottom of the drawer.(Step 49)

Step 2

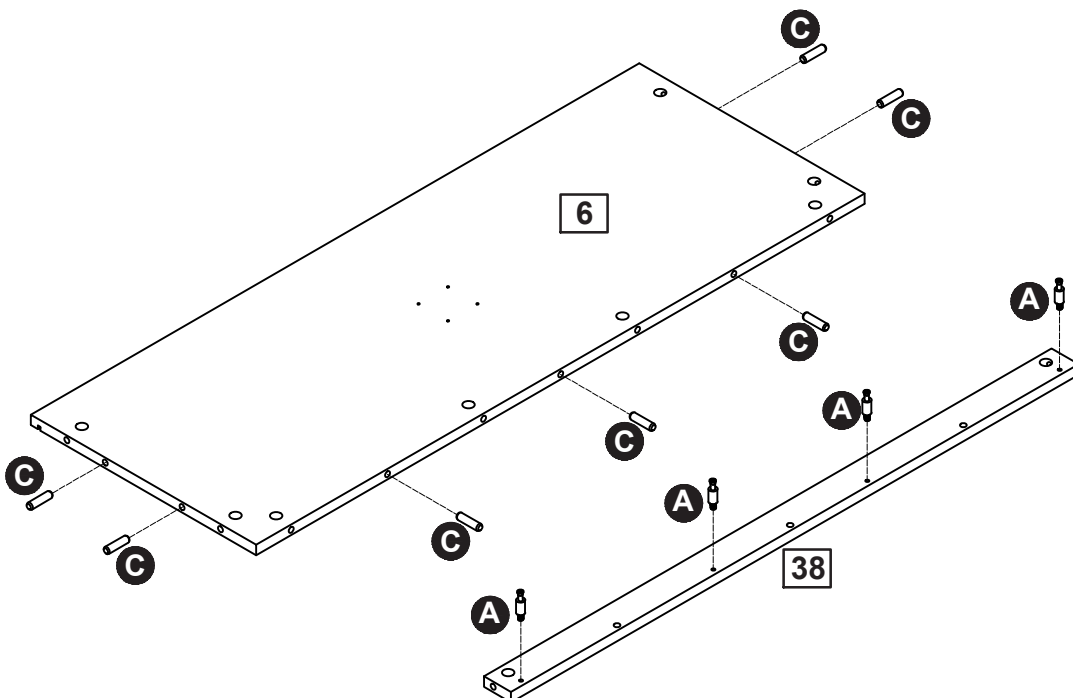
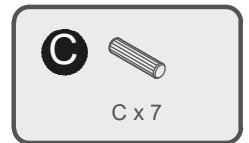
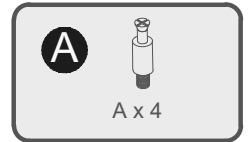


Assembly Instructions

Step 3

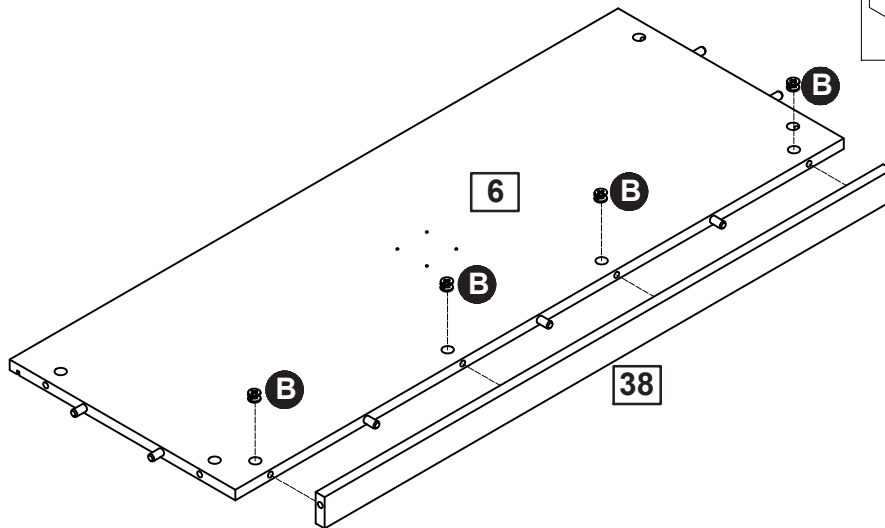
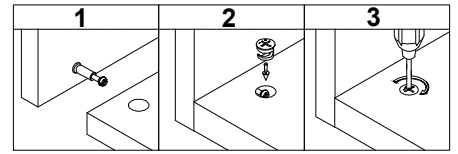


Step 4

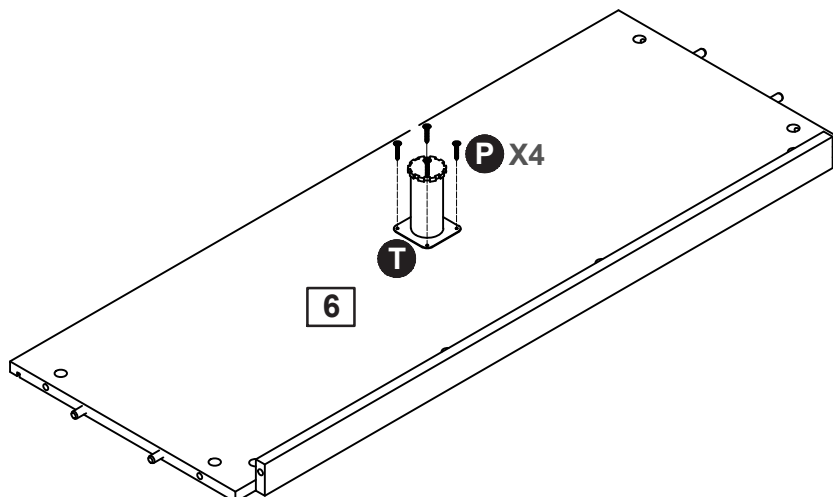


Assembly Instructions

Step 5



Step 6



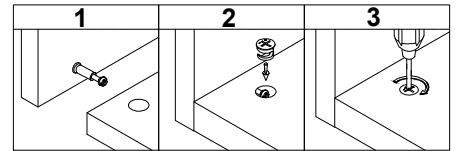
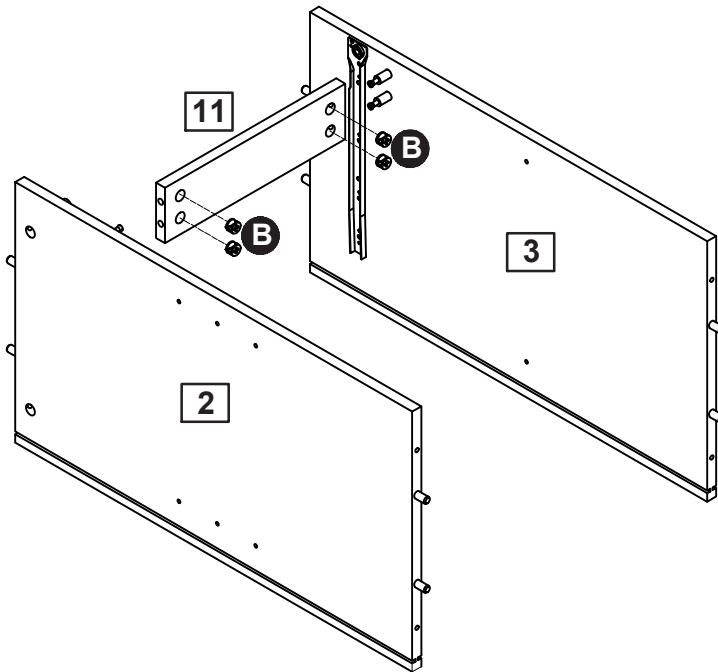
Assembly Instructions

Step 7

B



B x 4



Step 8

K

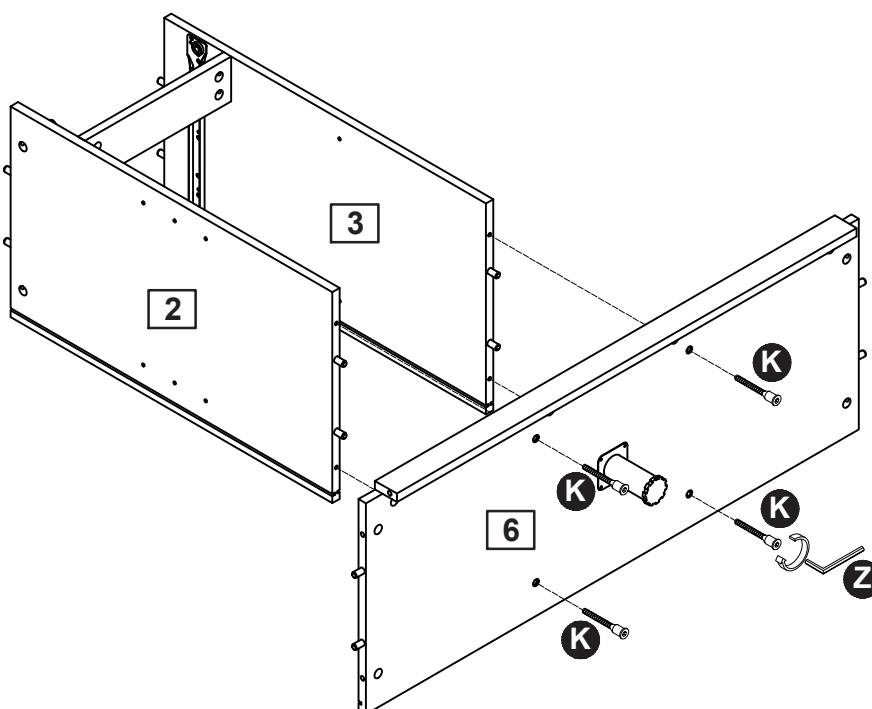


K x 4

Z



Z x 1



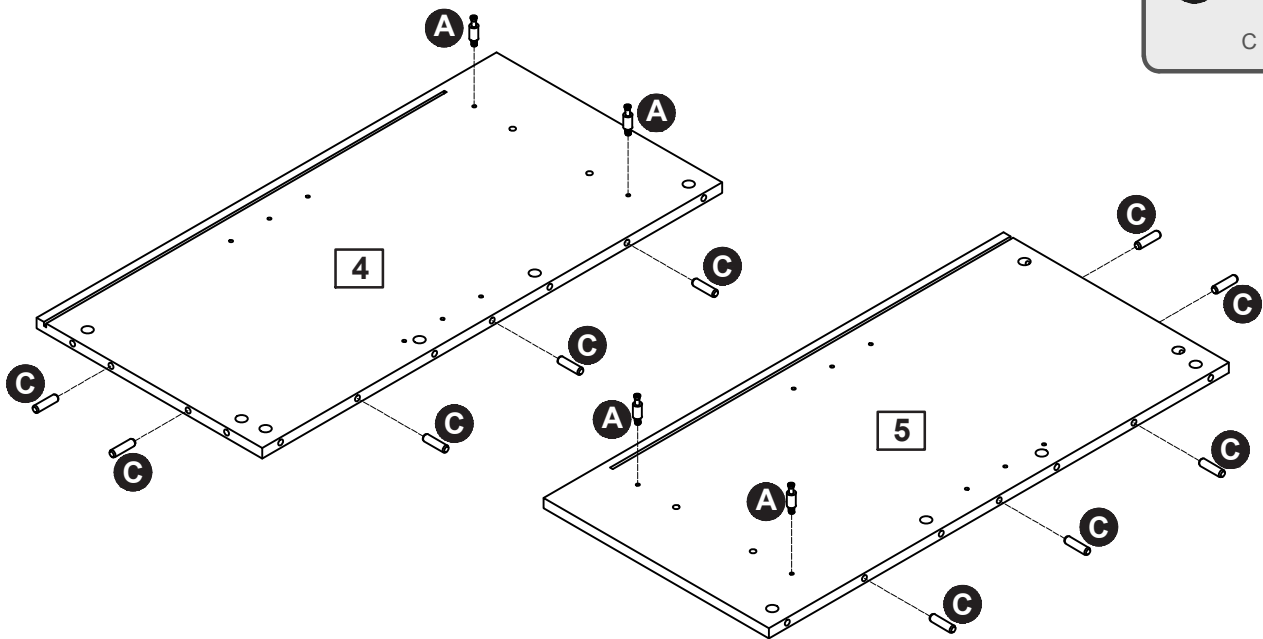
Assembly Instructions

Step 9

A



C

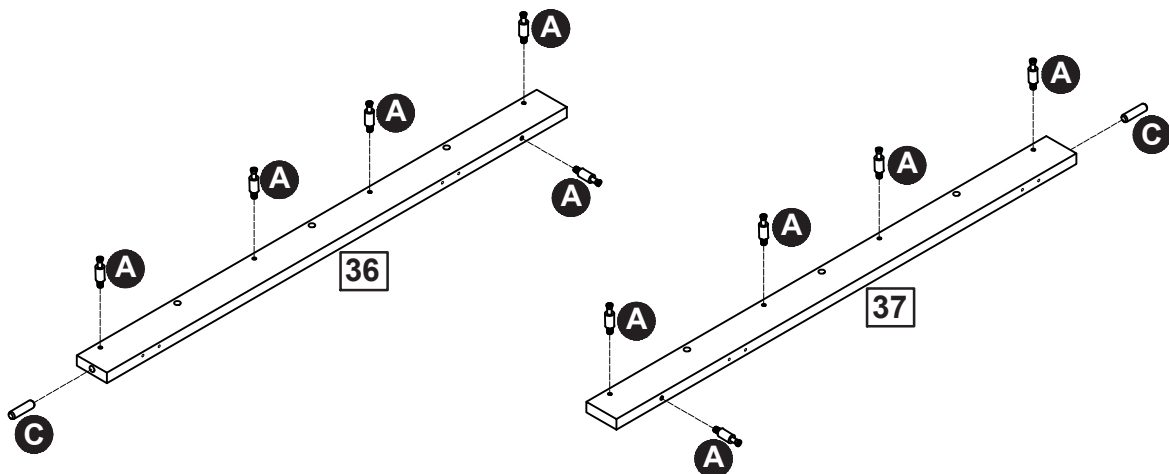


Step 10

A



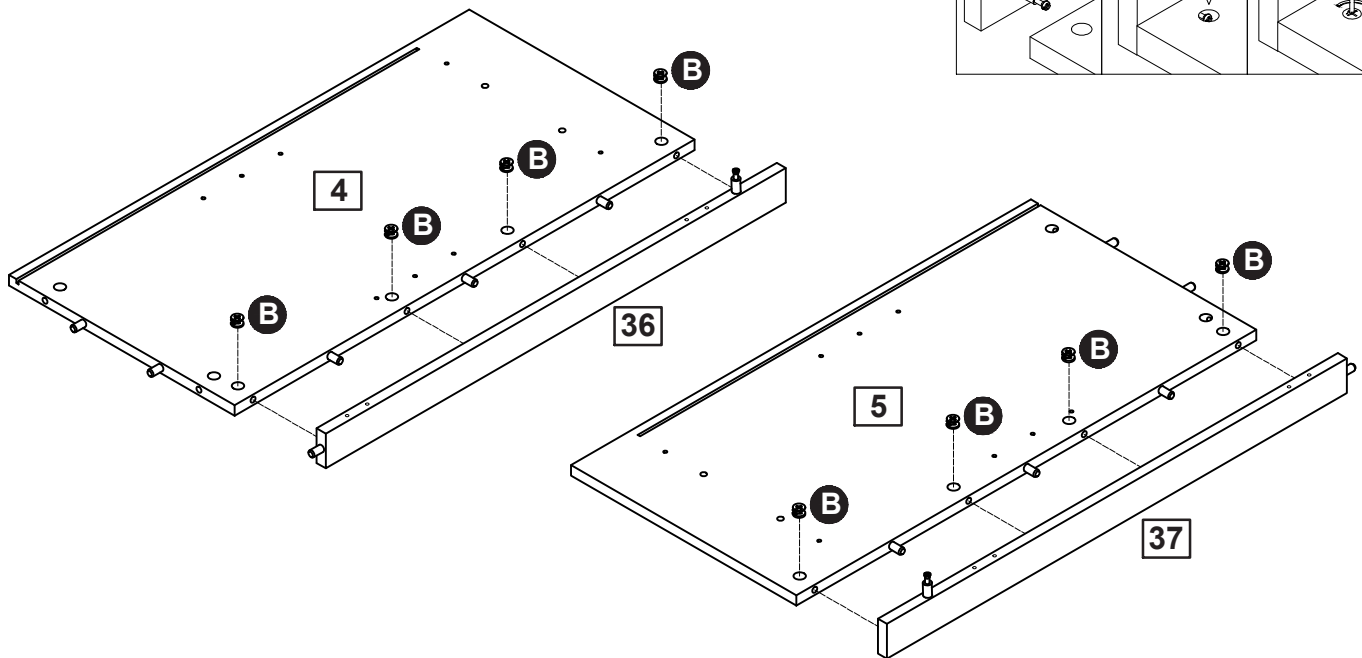
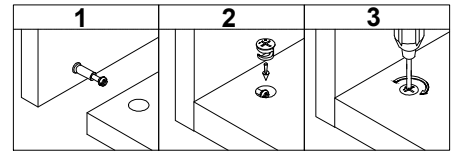
C



Assembly Instructions

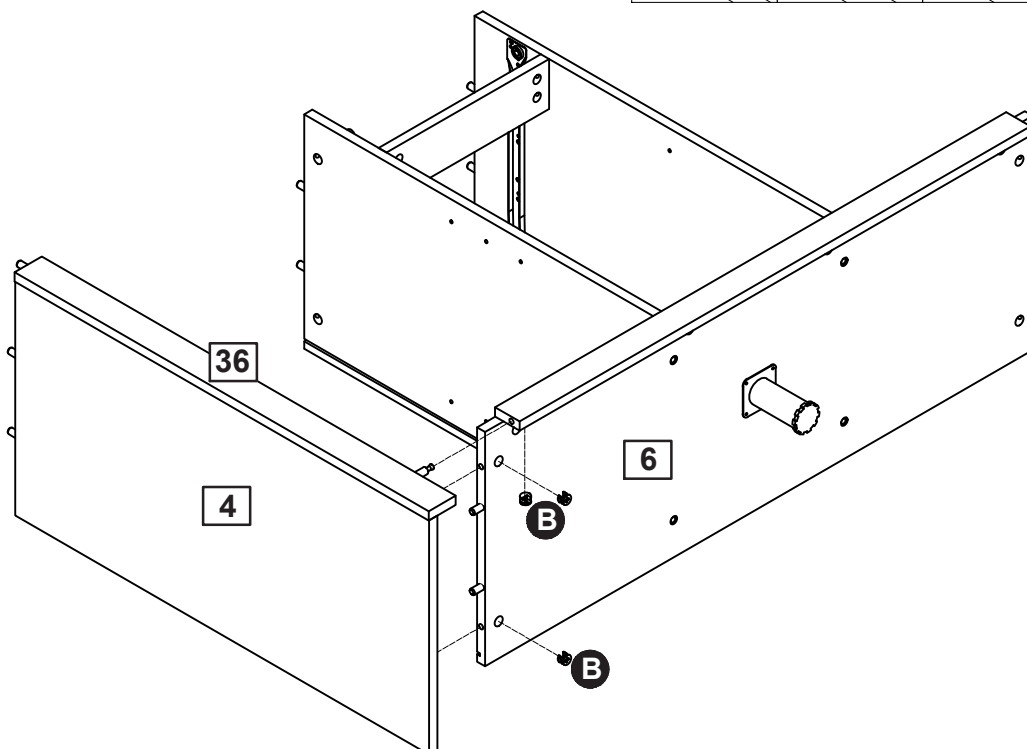
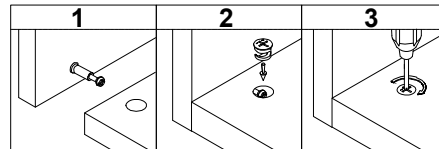
Step 11

B 
B x 8



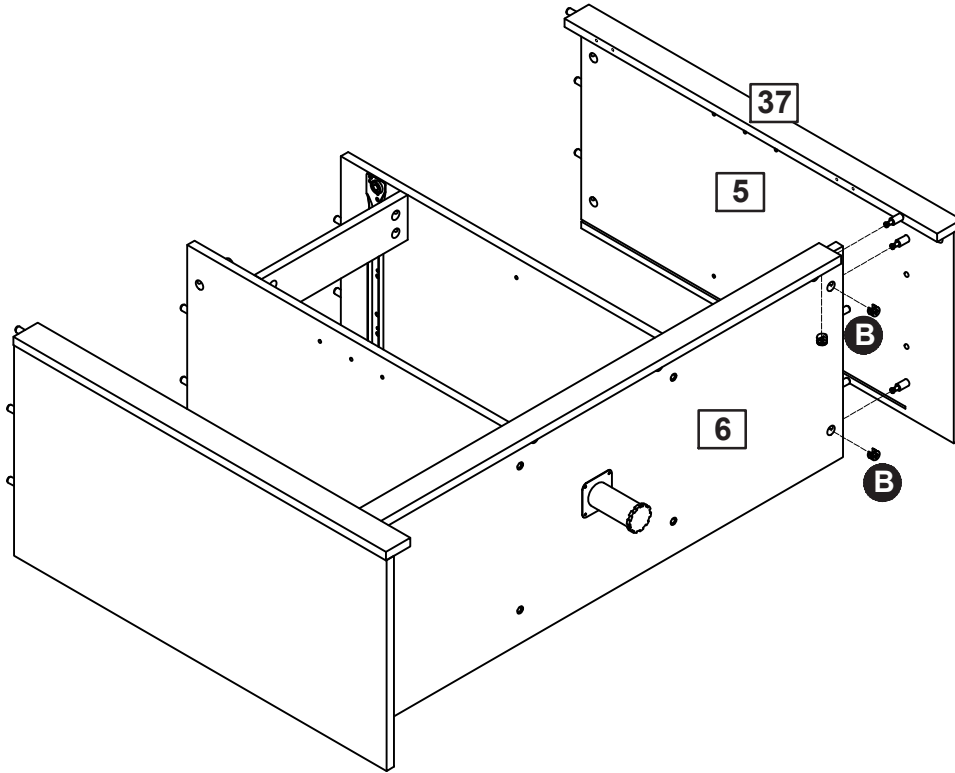
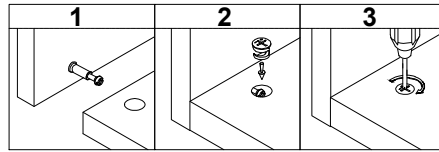
Step 12

B 
B x 3

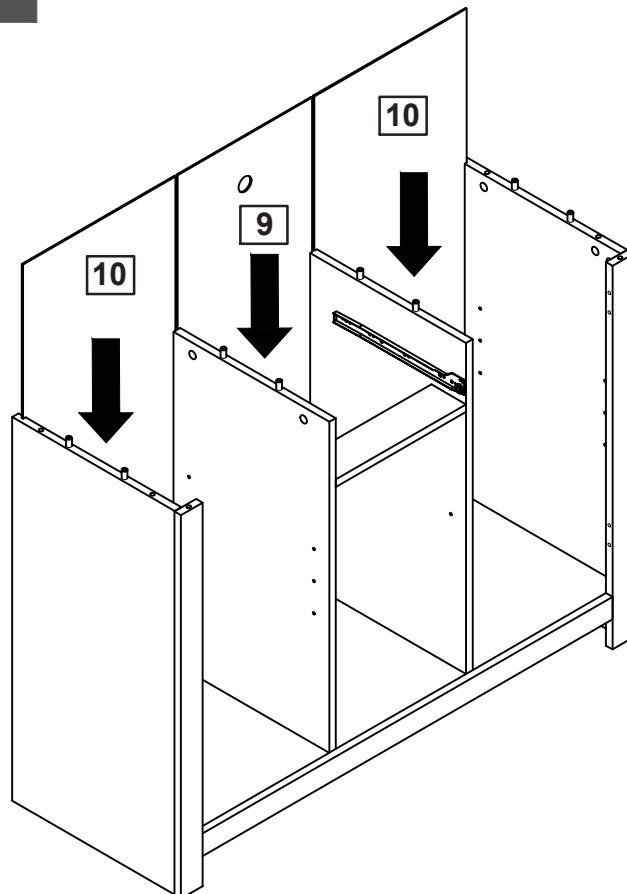


Assembly Instructions

Step 13

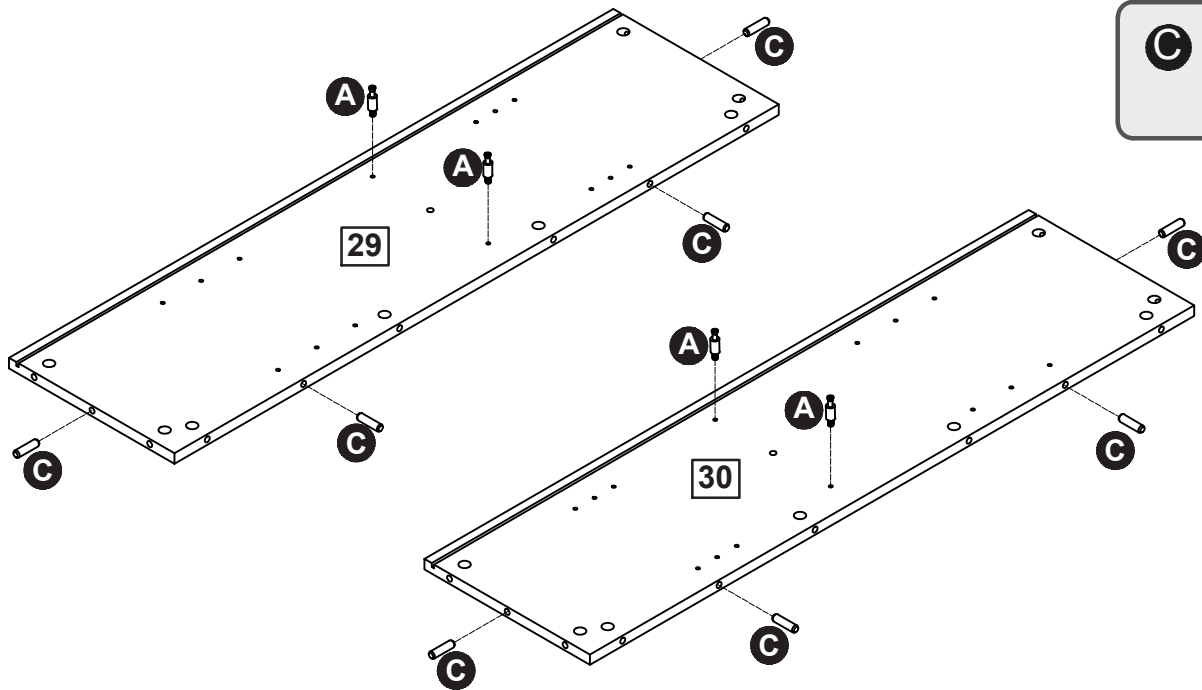


Step 14



Assembly Instructions

Step 15



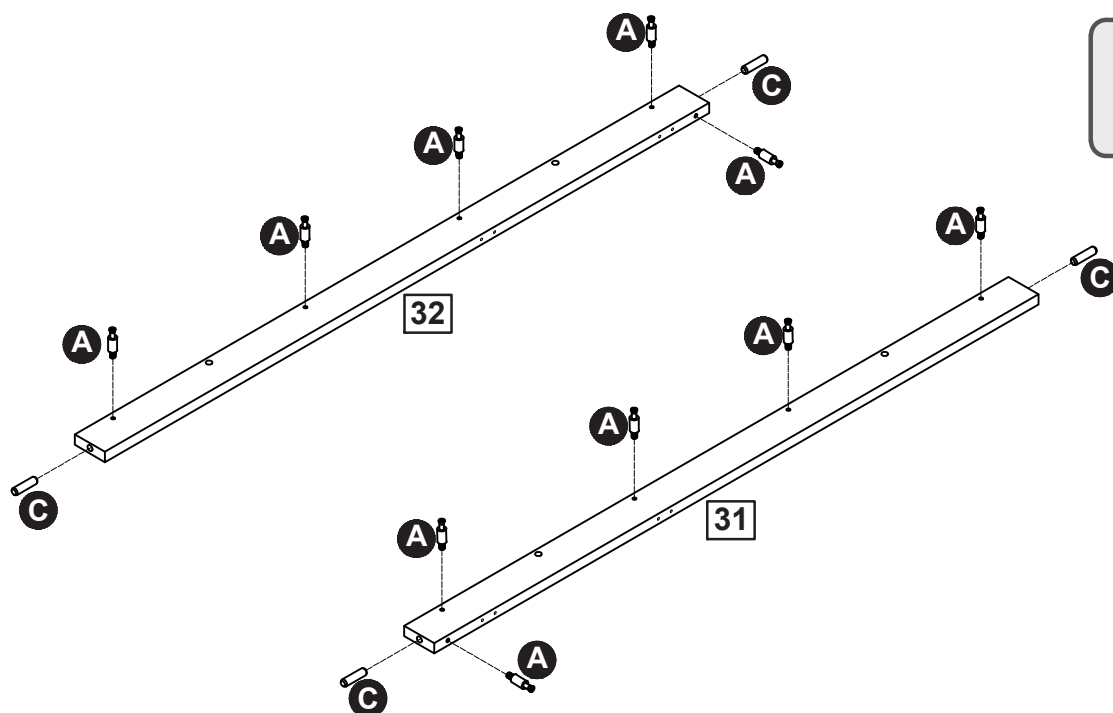
A



C



Step 16



A

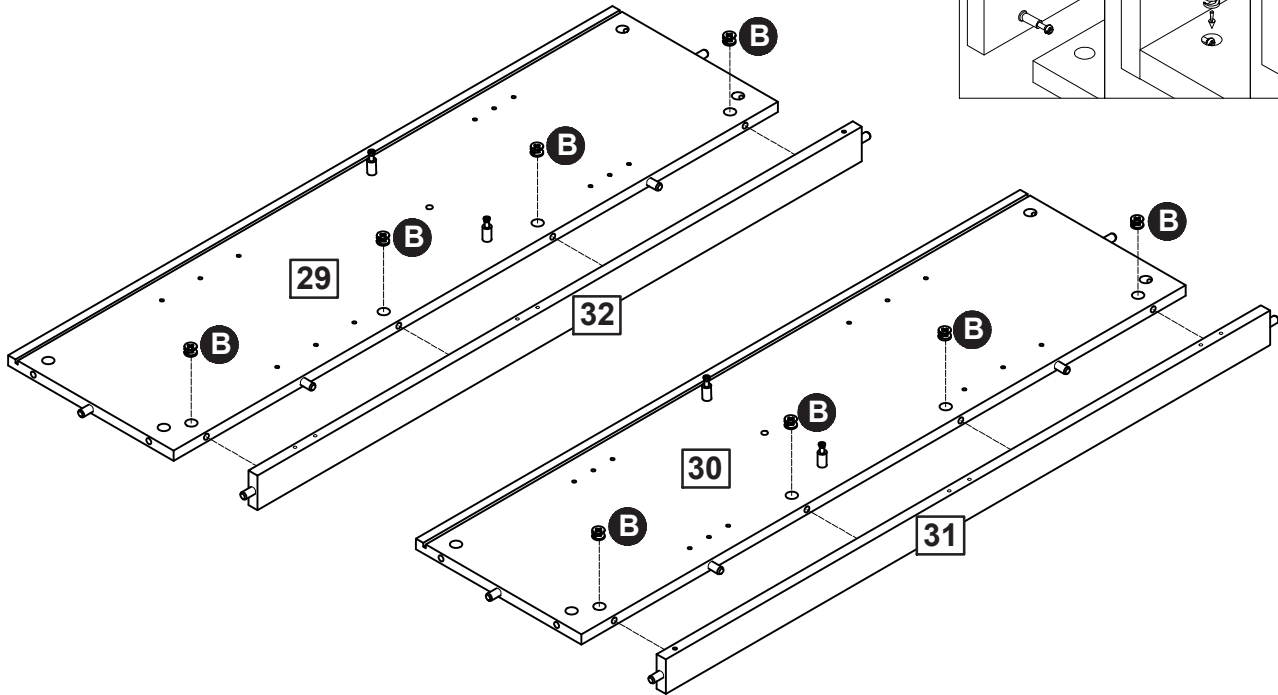
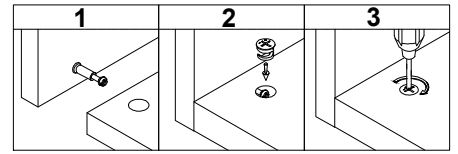


C

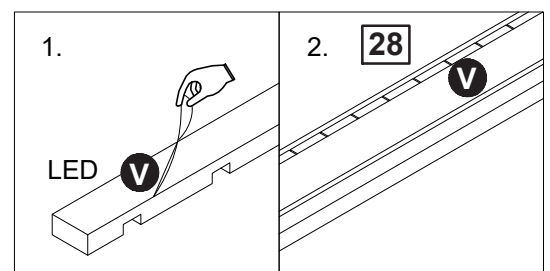
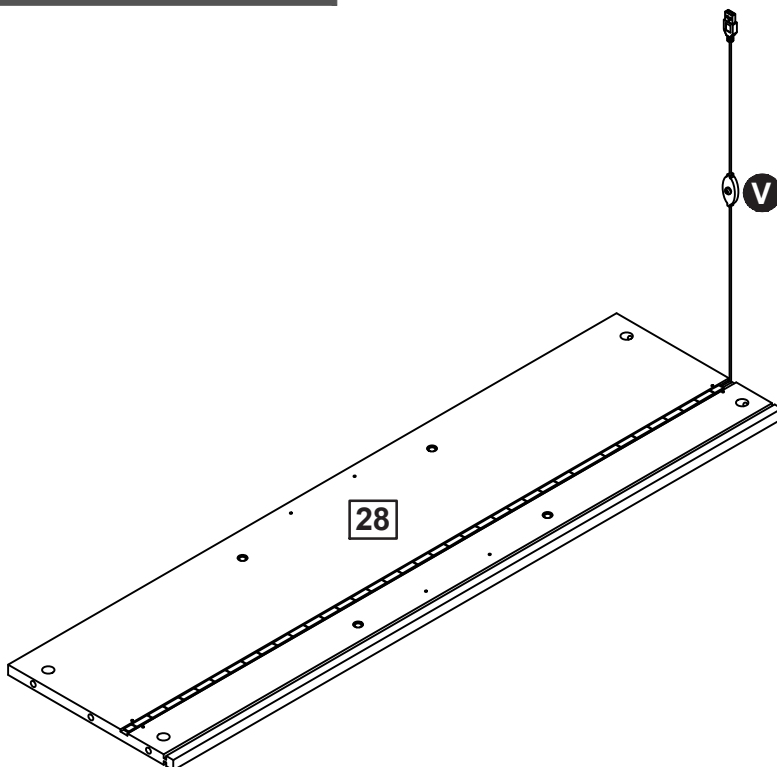


Assembly Instructions

Step 17

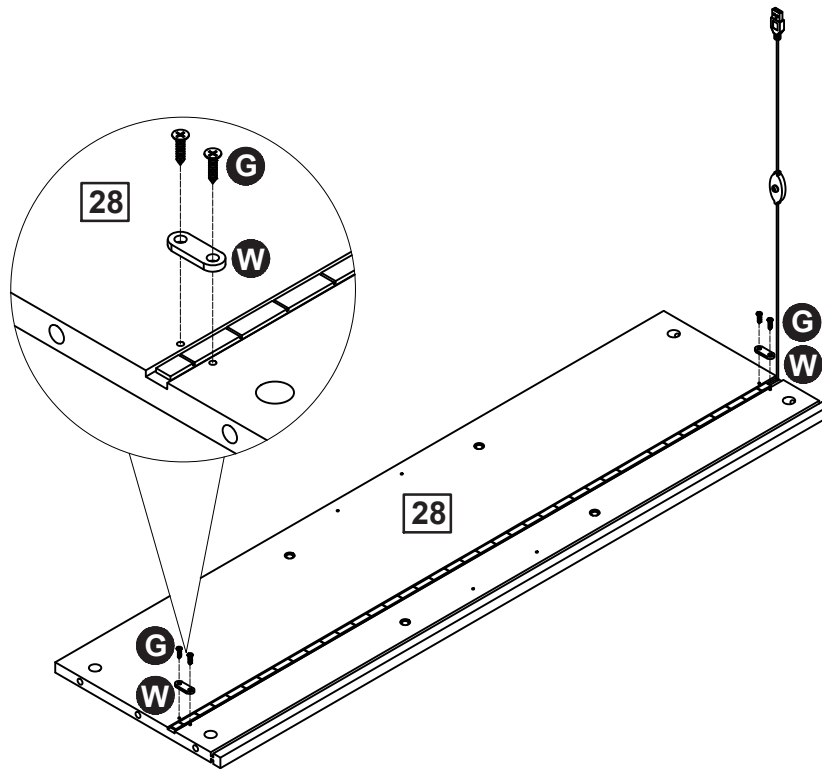


Step 18



Assembly Instructions

Step 19

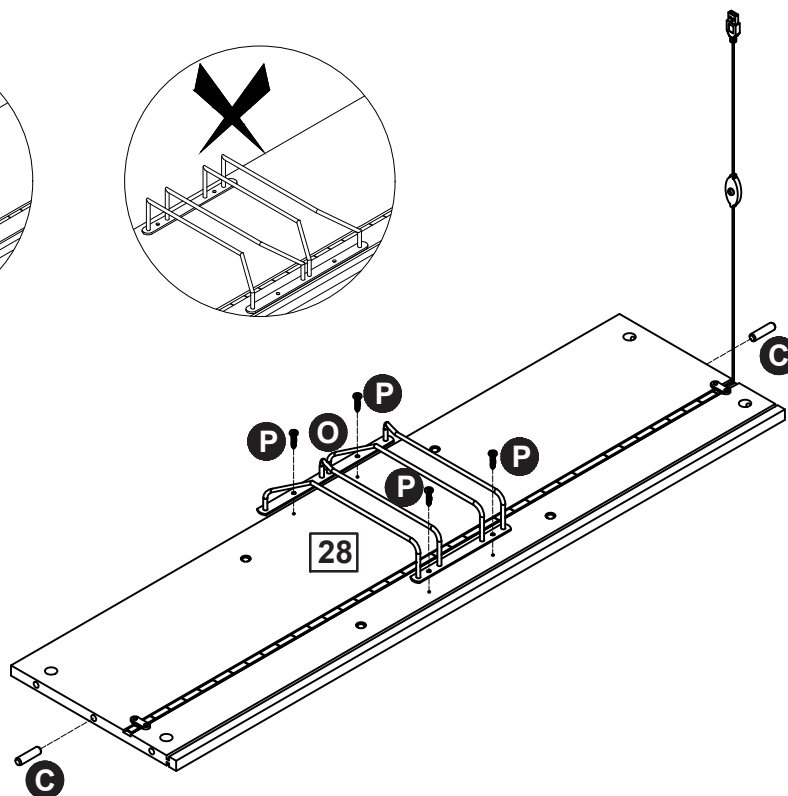
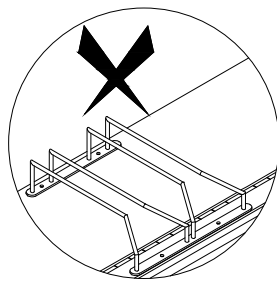
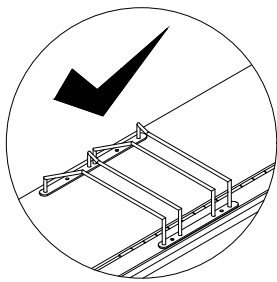


G x 4



W x 2

Step 20



C x 2



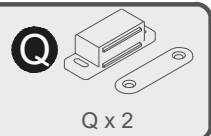
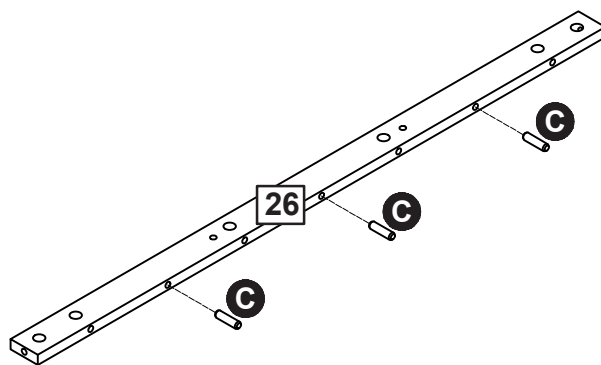
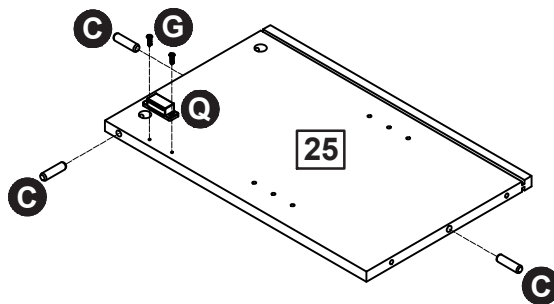
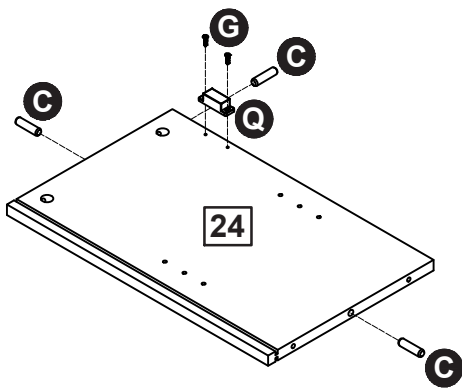
O x 1



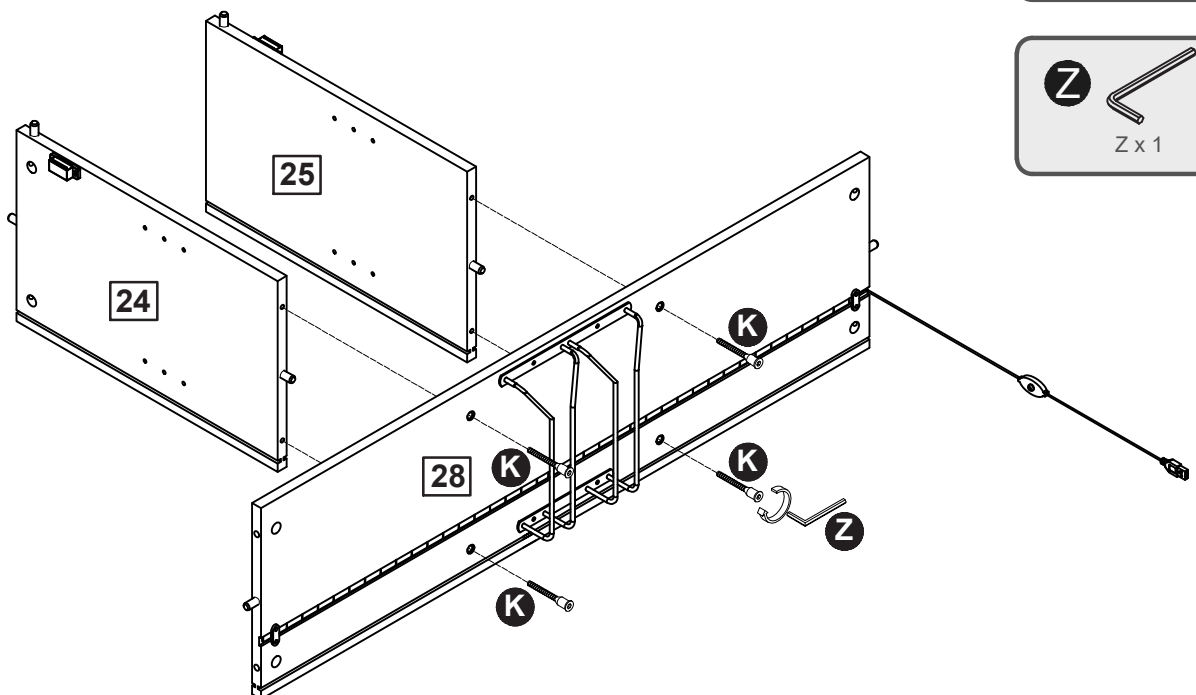
P x 4

Assembly Instructions

Step 21

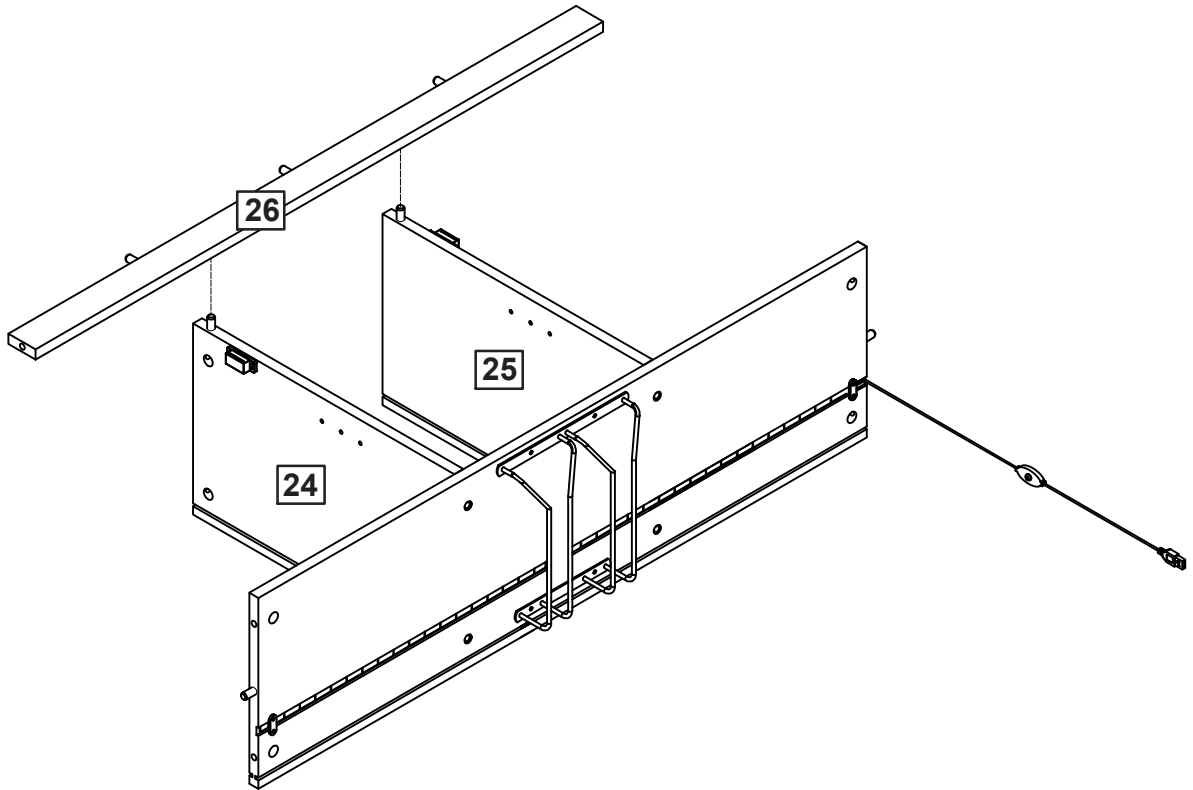


Step 22

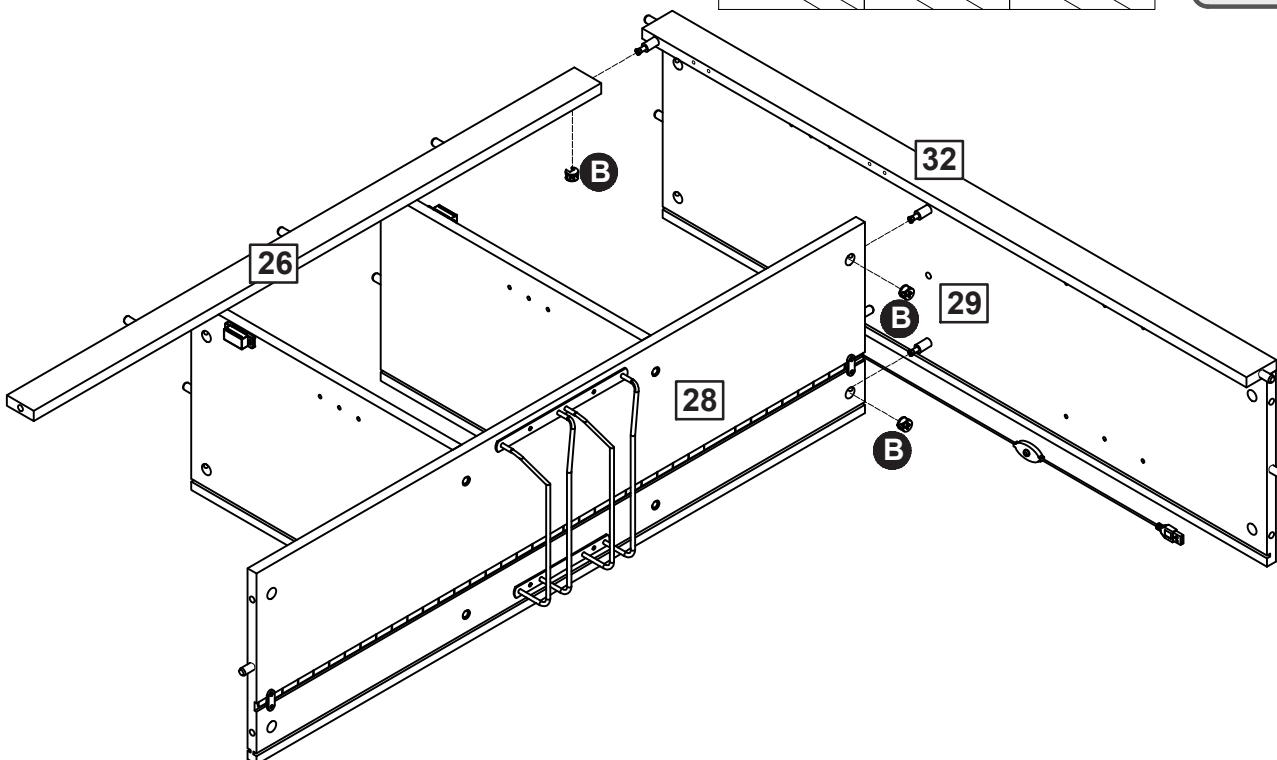
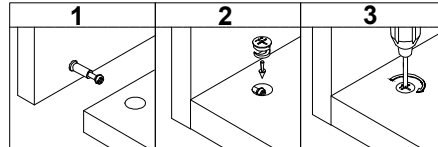


Assembly Instructions

Step 23

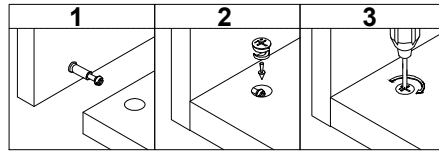


Step 24



Assembly Instructions

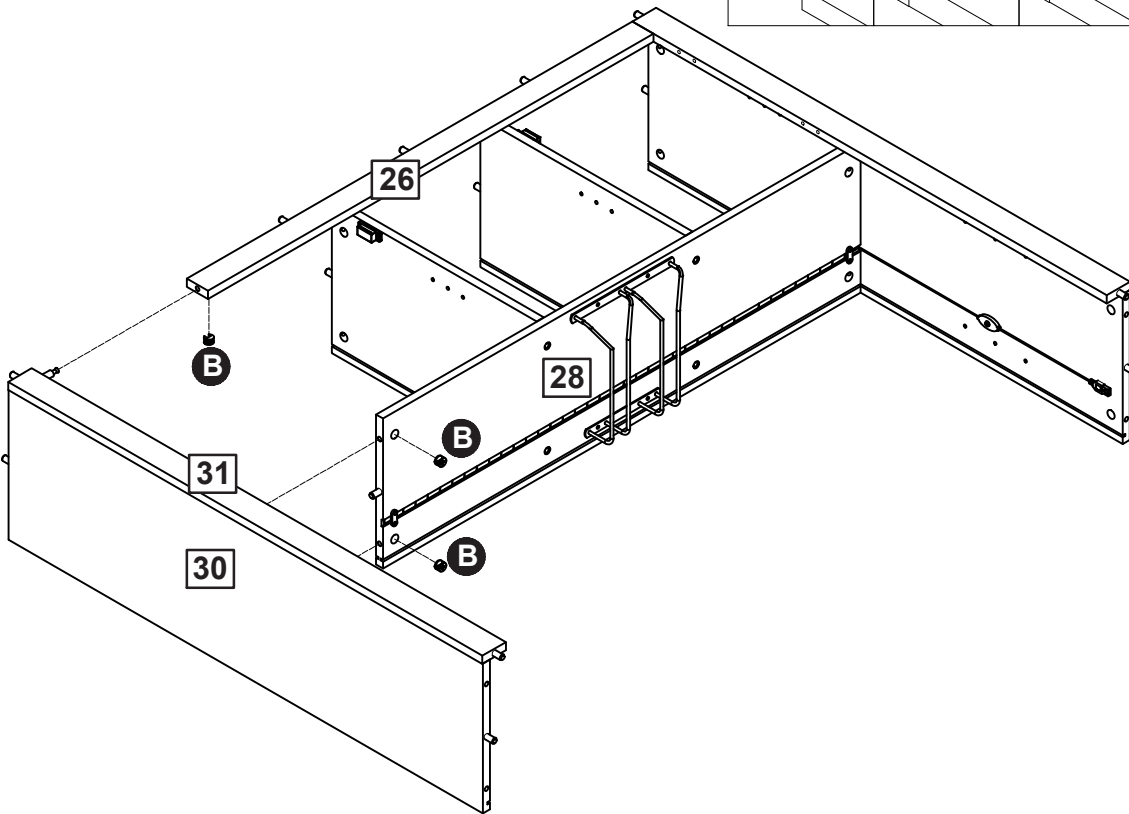
Step 25



B



B x 3

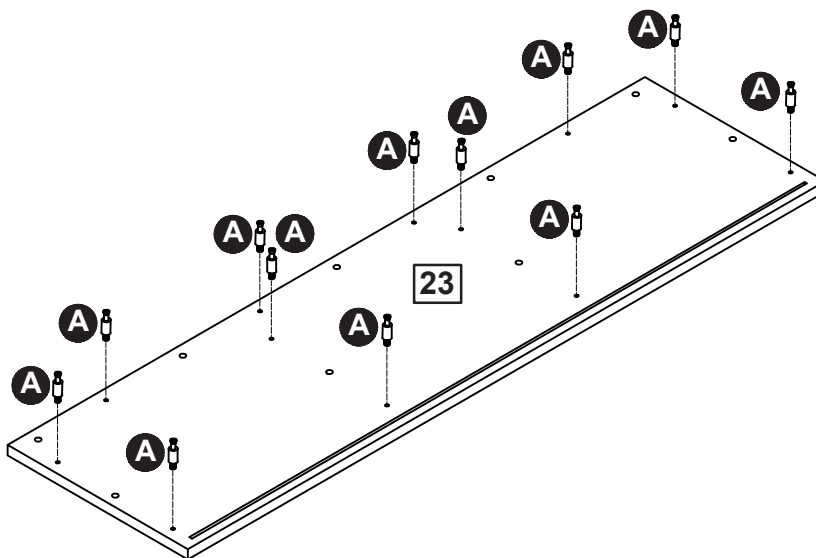


Step 26

A

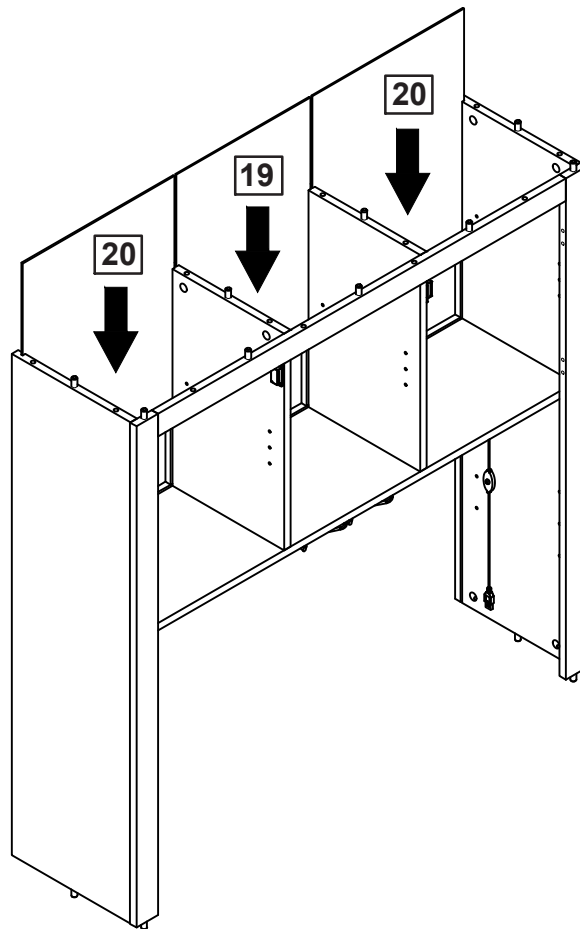


A x 12

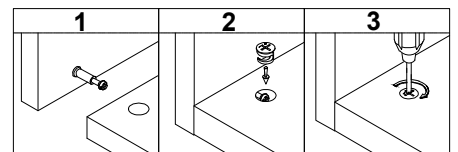
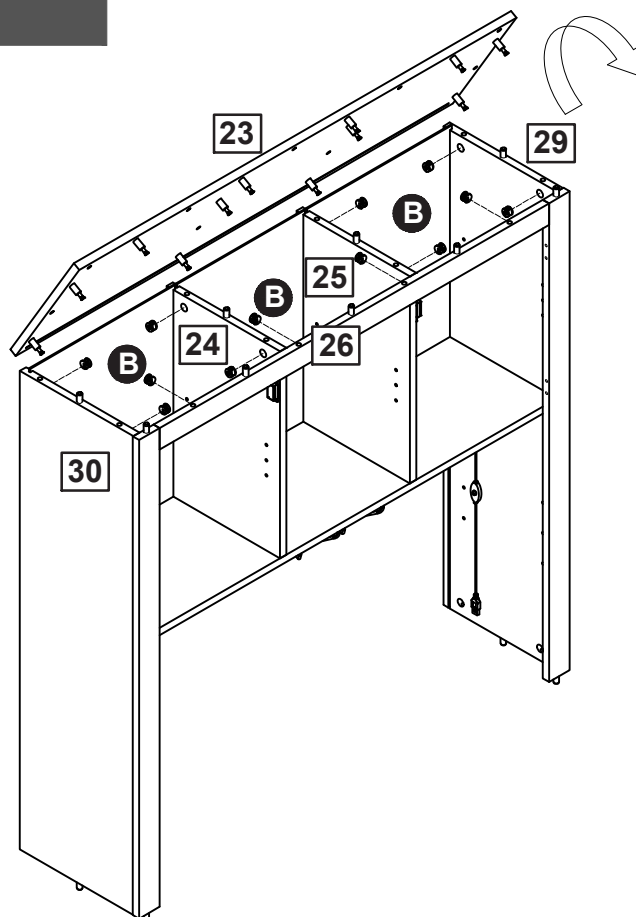


Assembly Instructions

Step 27

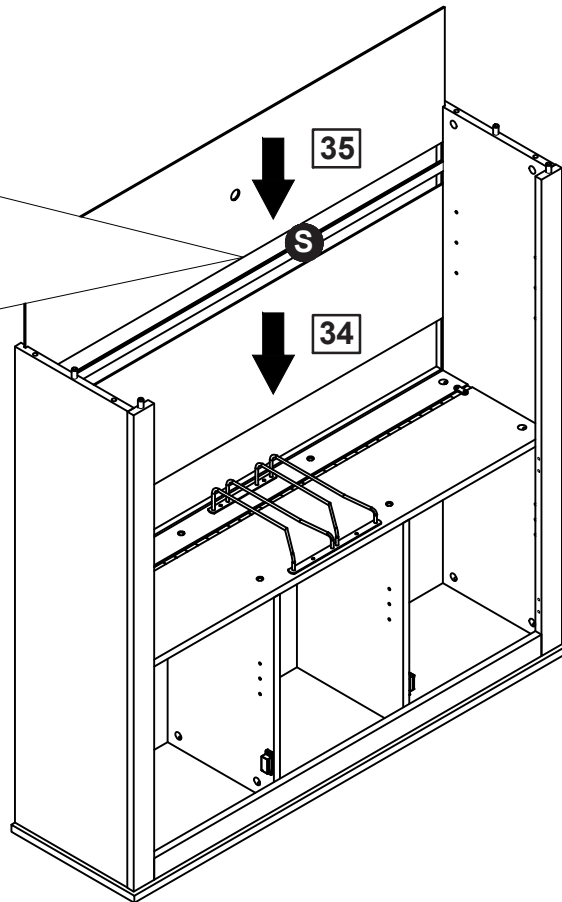
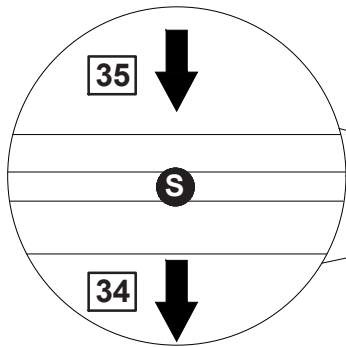


Step 28



Assembly Instructions

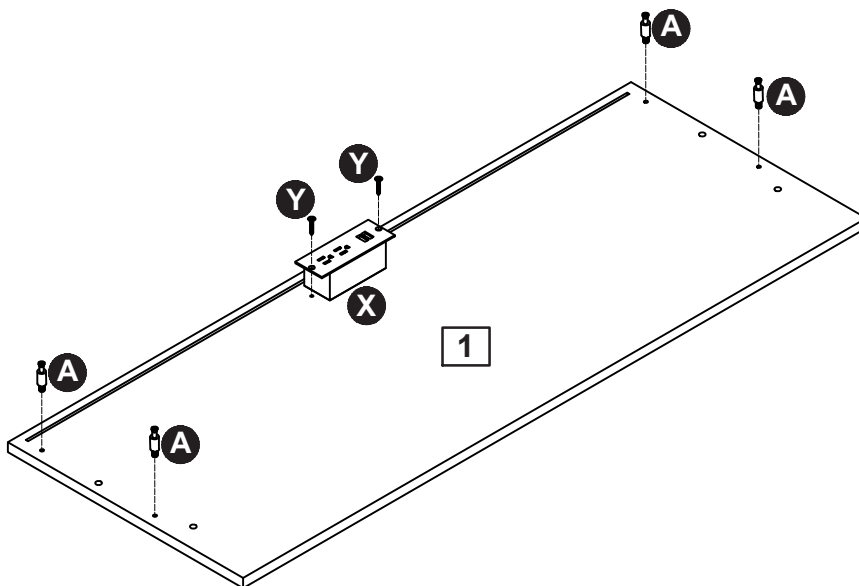
Step 29



S

S x 1

Step 30



A

A x 4

X

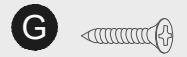
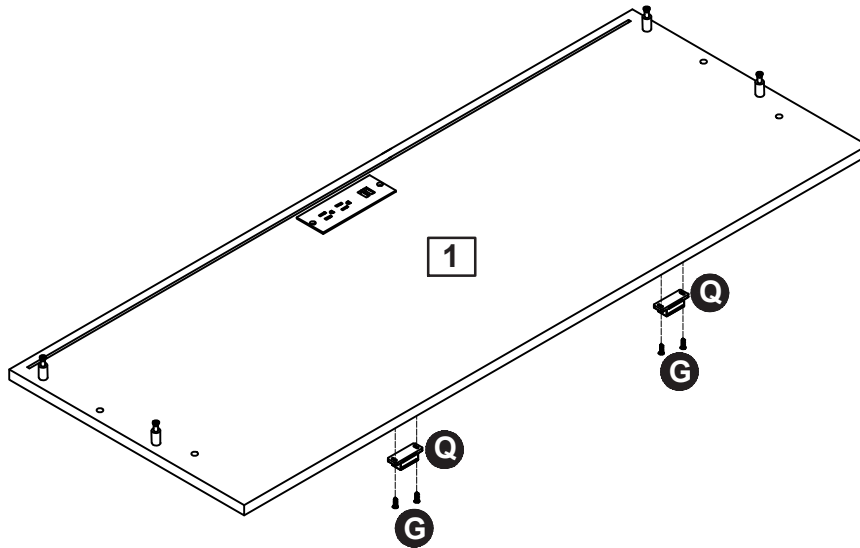
X x 1

Y

Y x 2

Assembly Instructions

Step 31

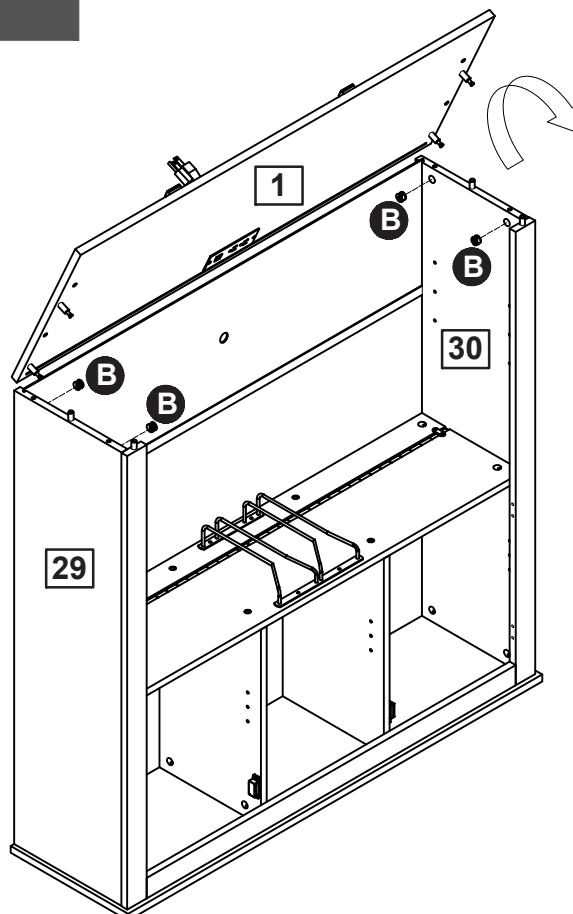


G x 4

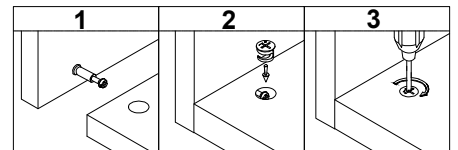


Q x 2

Step 32



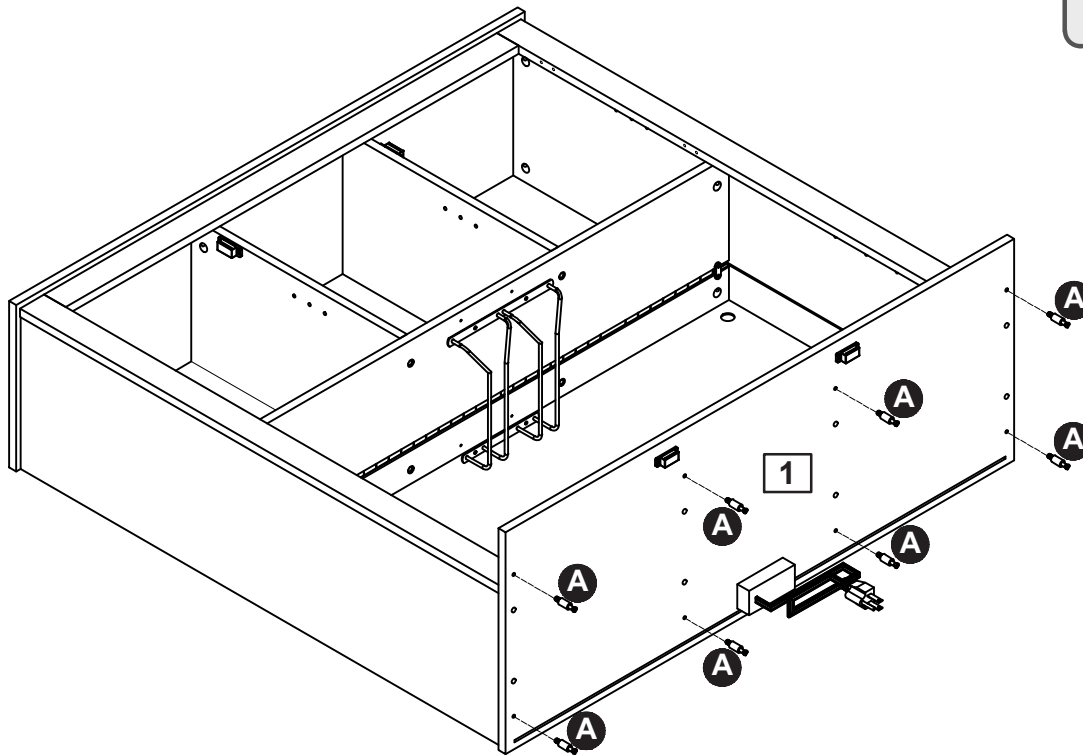
B x 4



Assembly Instructions

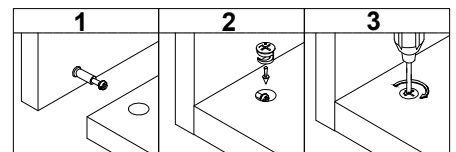
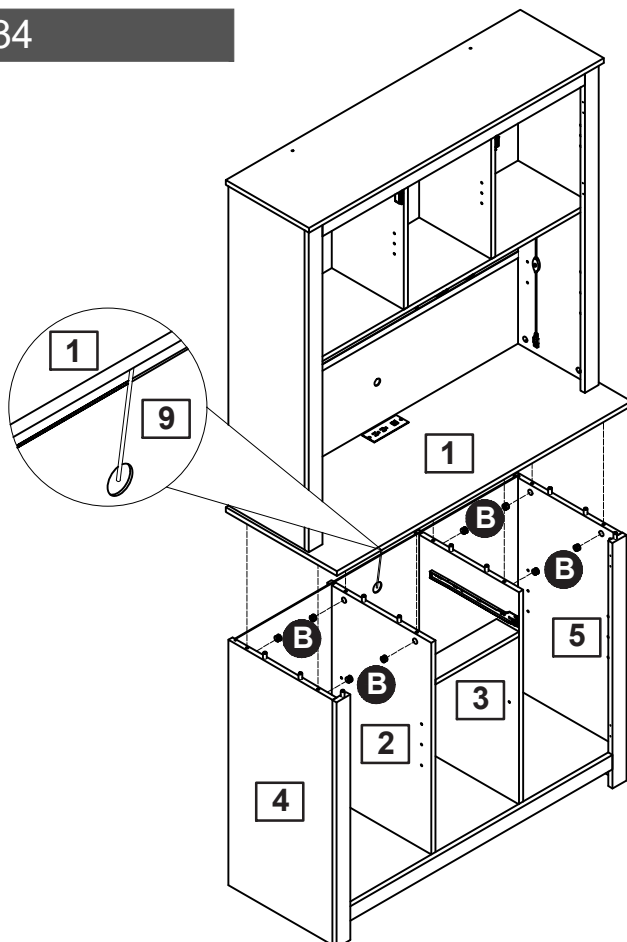
Step 33

A



Step 34

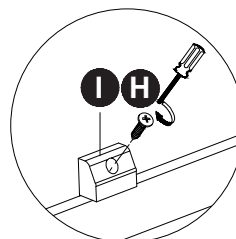
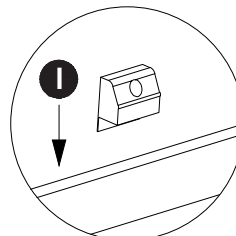
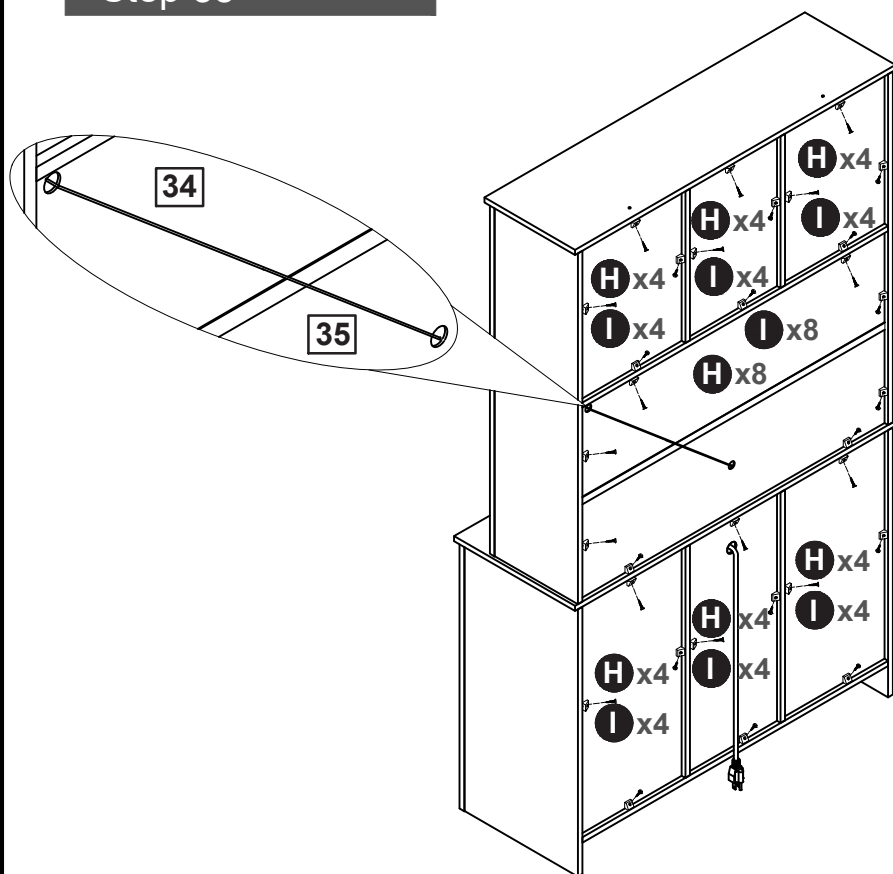
B



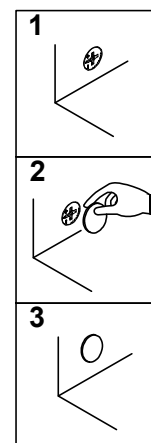
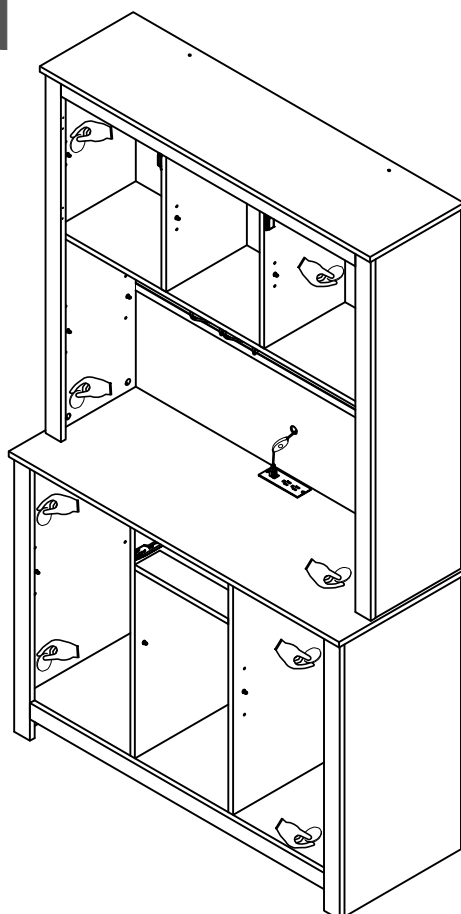
Two people are required to assemble and move this model.

Assembly Instructions

Step 35

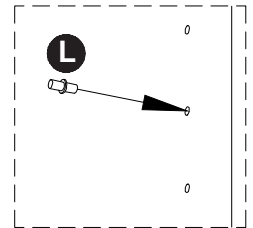
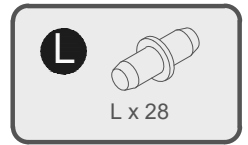
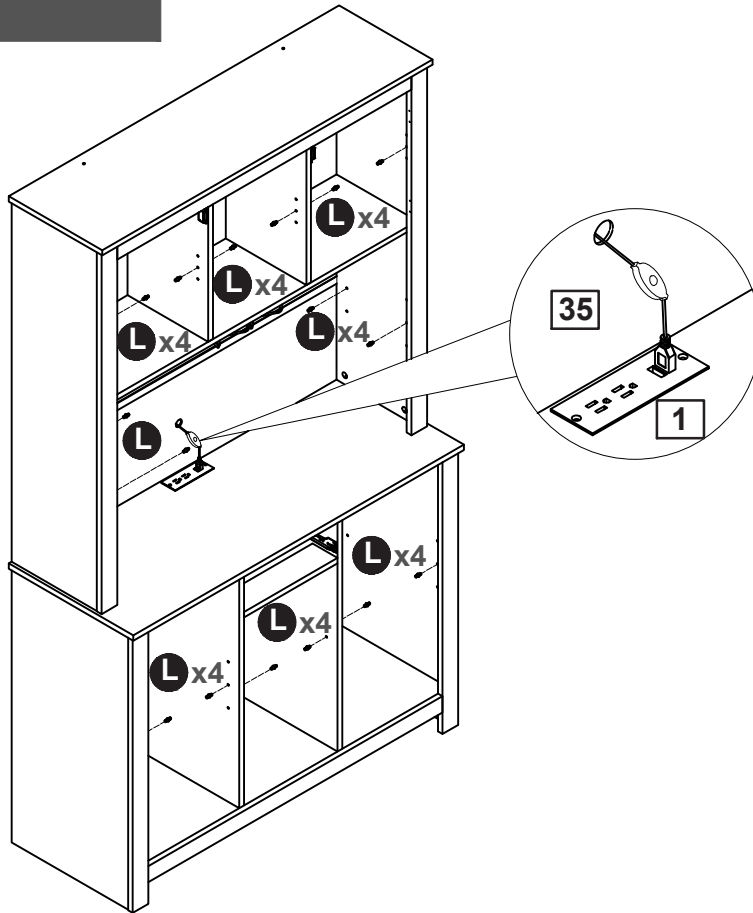


Step 36

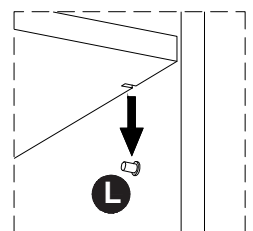
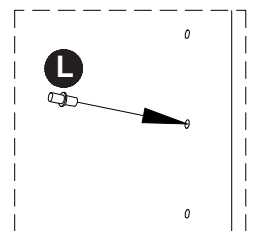
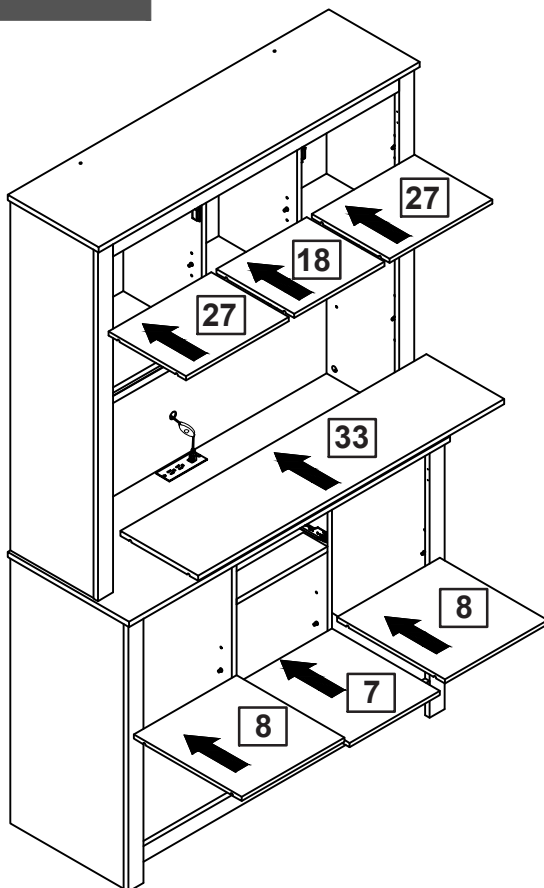


Assembly Instructions

Step 37

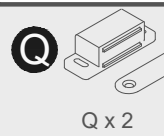
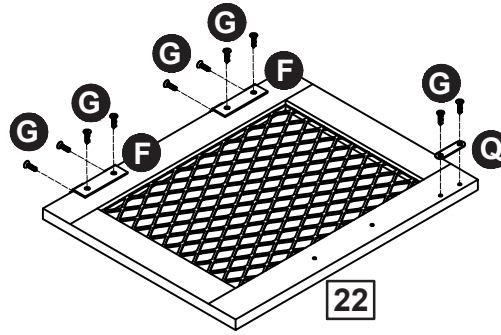
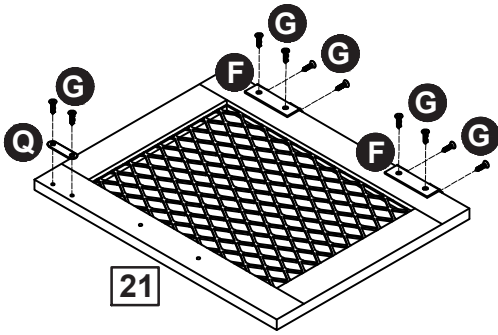


Step 38

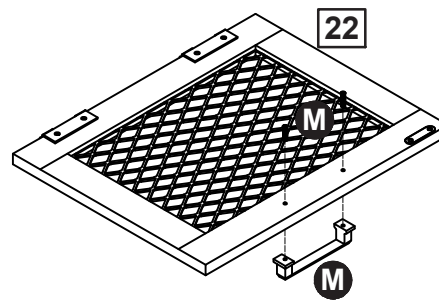
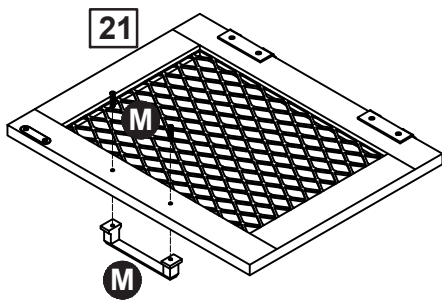
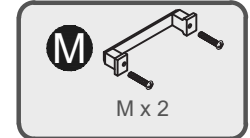


Assembly Instructions

Step 39

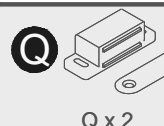
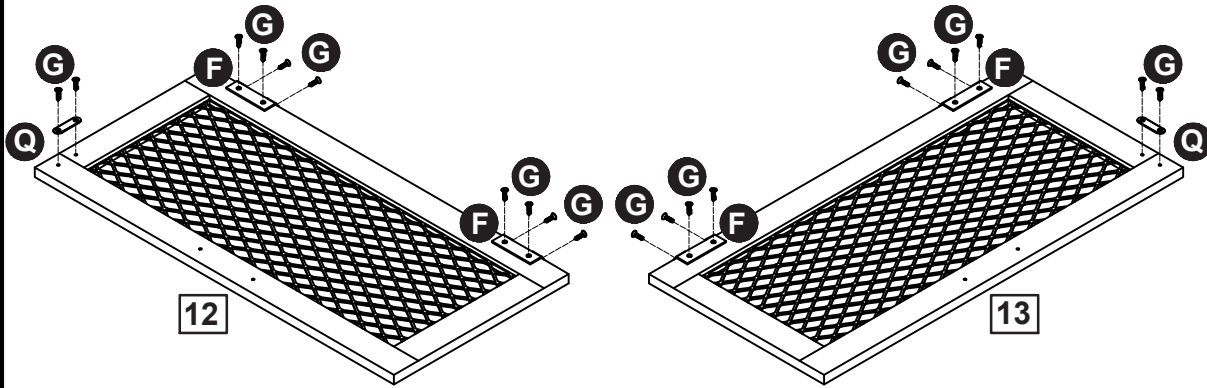


Step 40

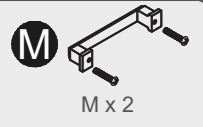
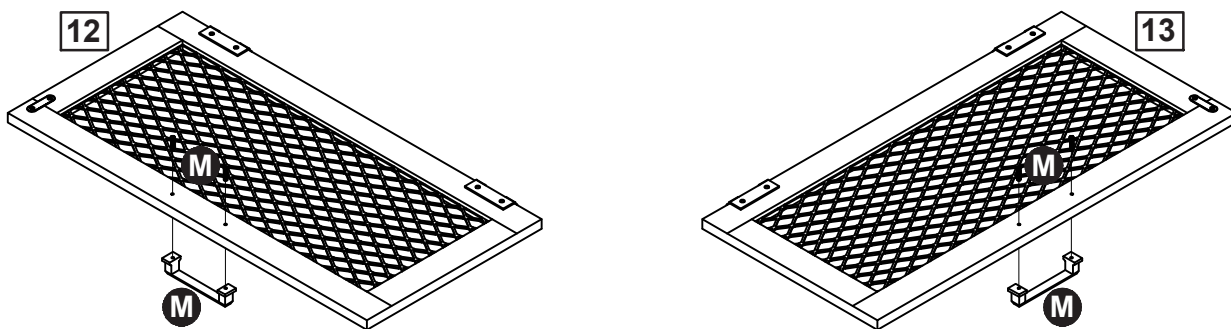


Assembly Instructions

Step 41

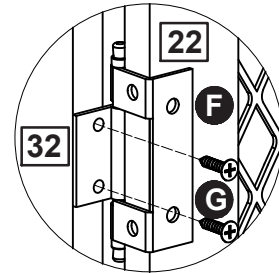
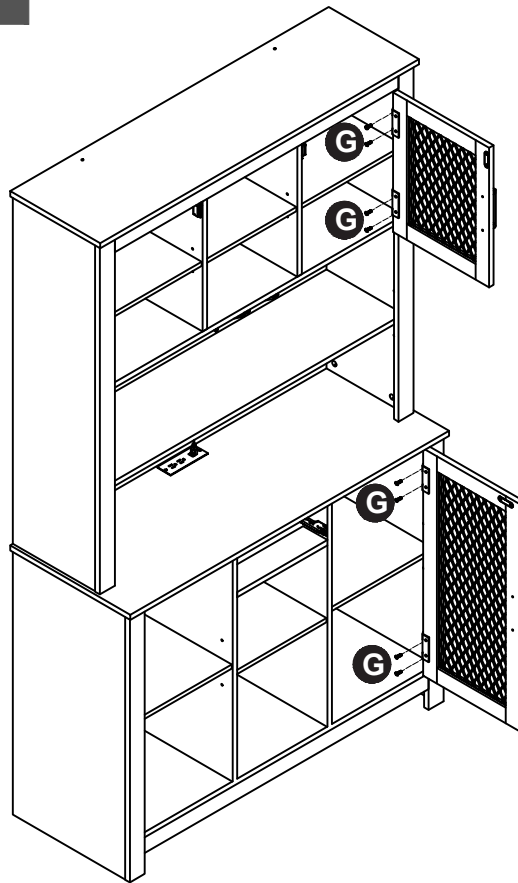


Step 42

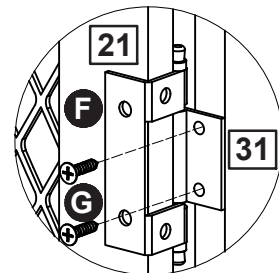
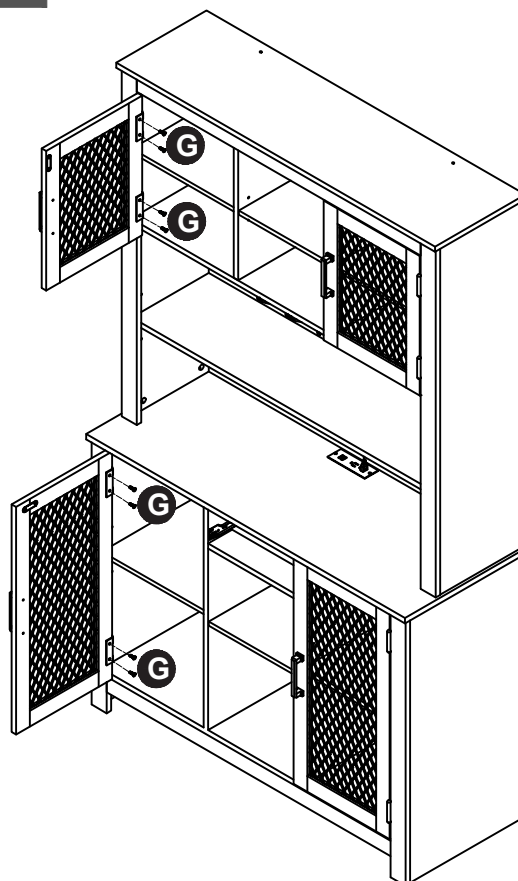


Assembly Instructions

Step 43



Step 44



Assembly Instructions

Step 45

A

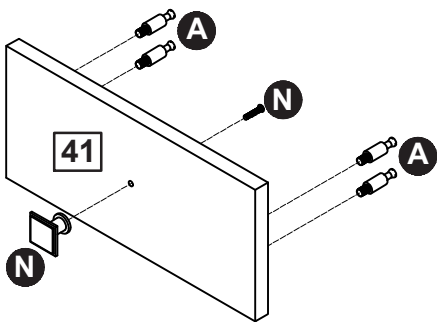


A x 4

N



N x 1

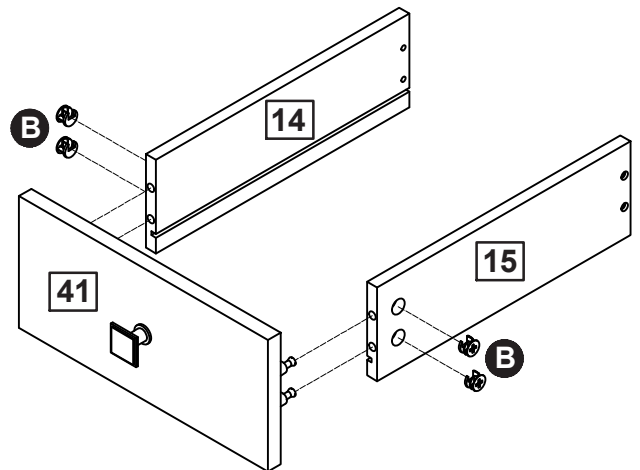
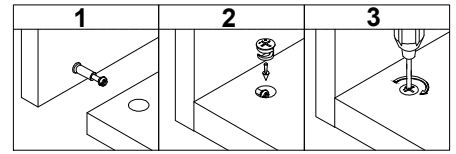


Step 46

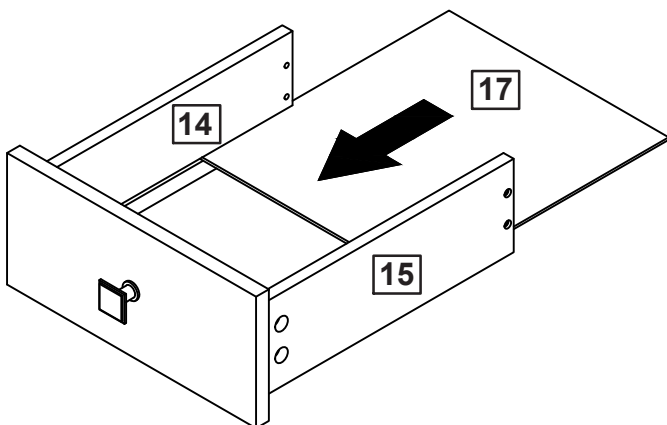
B



B x 4

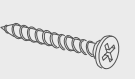


Step 47

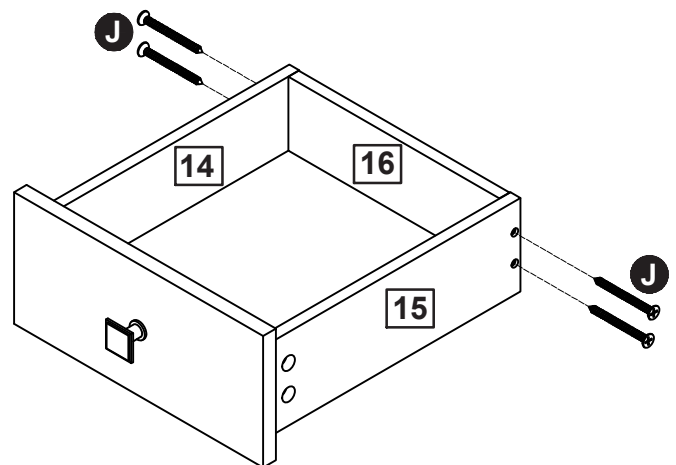


Step 48

J

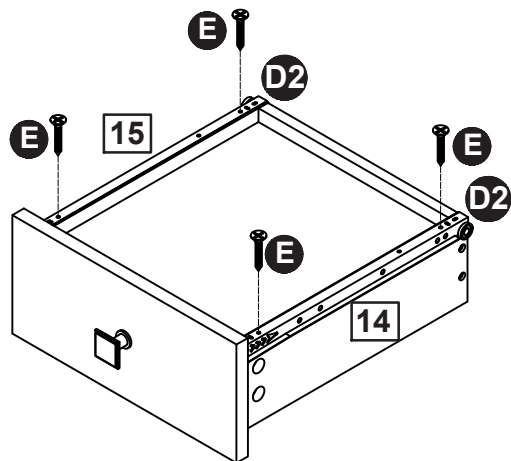


J x 4

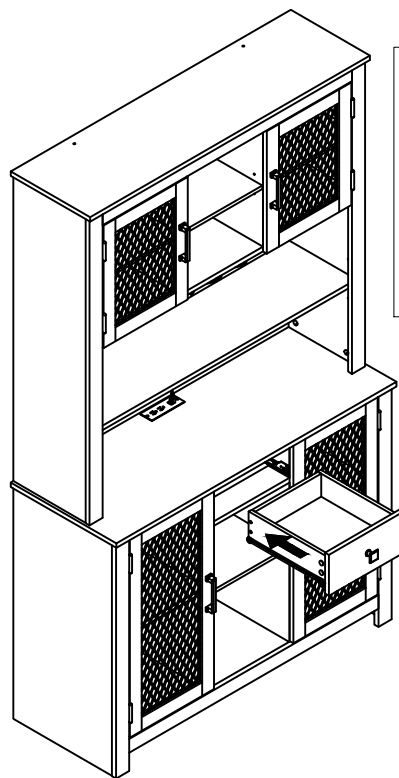


Assembly Instructions

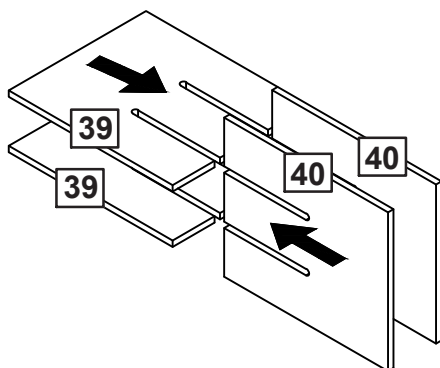
Step 49



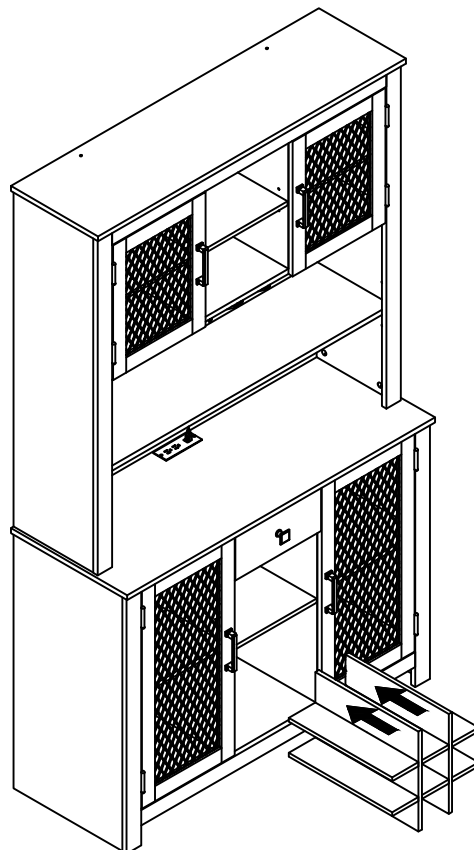
Step 50



Step 51



Step 52



Assembly Instructions

Step 53

R



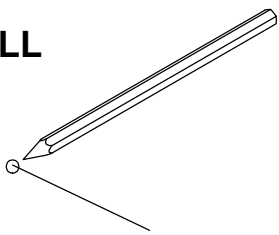
R x 2



ATTENTION:

For safety and stability, we suggest you have to secure the anti tip accessories to the wall to prevent tipping, injury, and property damage.

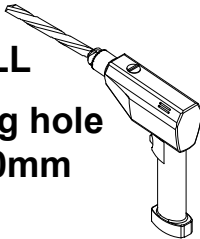
WALL



(1)

WALL

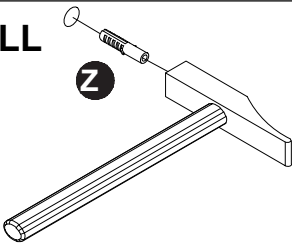
drilling hole
Ø6x30mm



(2)

WALL

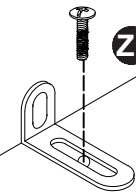
Z



(3)

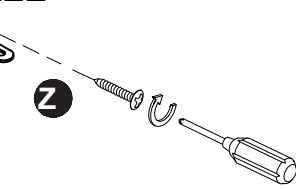
(4)

Z

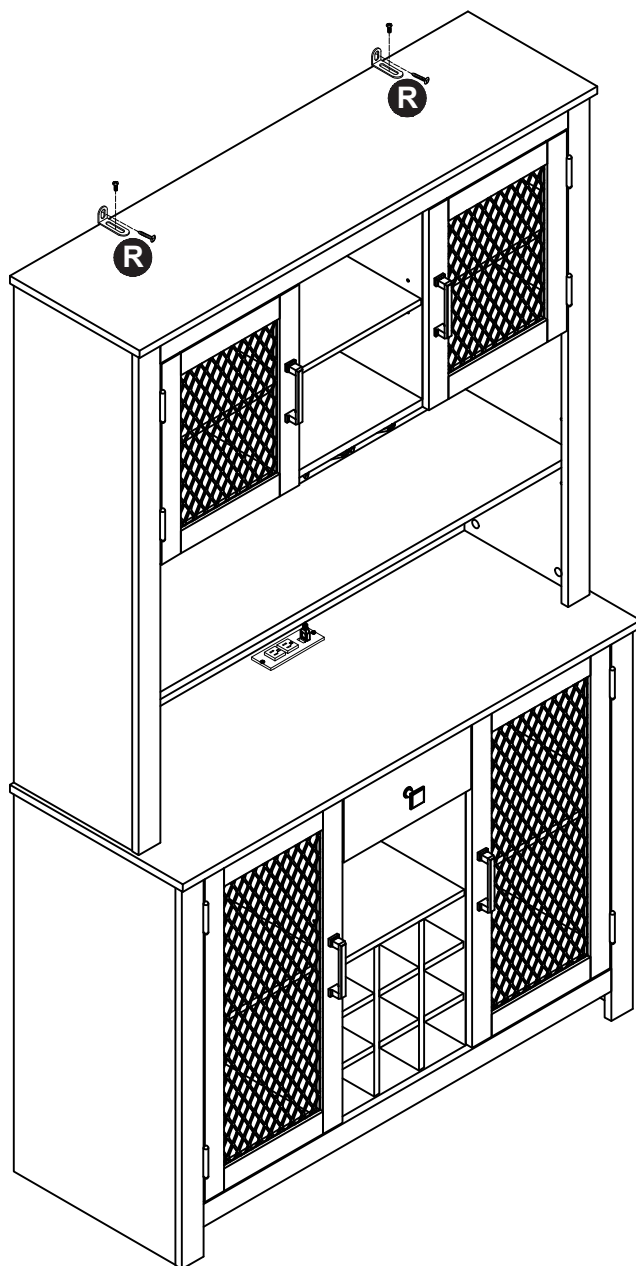


WALL

Z

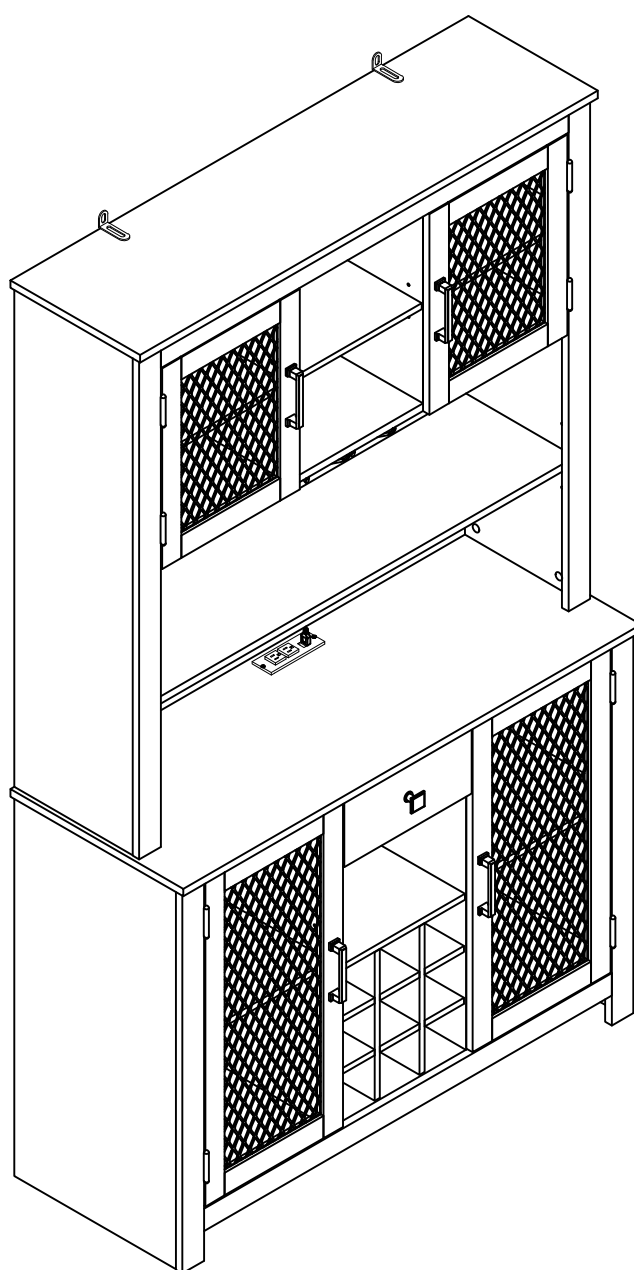


(5)



Assembly Instructions

Step 54



Assembly is complete.