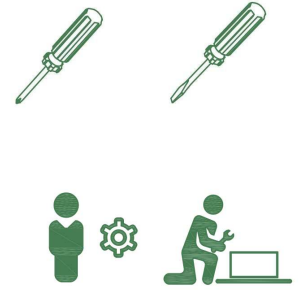


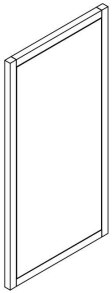
TOOLS:



UNIT: MM

PACKAGE-A

1



1100X550X30

2



1035X525X15

3



1000X550X12

6



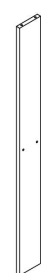
1020X $\phi$ 16

9



1000X133X15

10



1000X98X15

16

X  
2



1000X60X15

17

X  
2



1000X50X15

18

X  
2

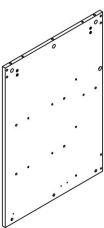


490X50X15

UNIT: MM

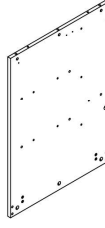
PACKAGE-B

4



740X520X15

5



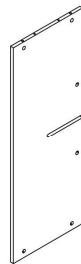
740X520X15

7



1000X370X15

8



1000X370X15

11



390X $\phi$ 22

12

X  
2



107X57X24

13

X  
4



120X98X15

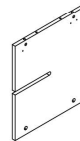
14

X  
4



100X72X18

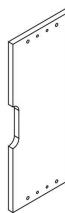
15



435X370X15

19

X  
2



488X205X15

20

X  
2



350X150X12

21

X  
2



350X150X12

22

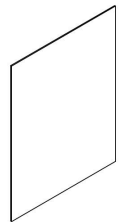
X  
2



443X150X12

23

X  
2

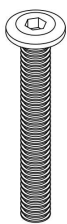


452X347X3

PACKAGE-B

A

X  
8



M6X45

B

X  
8



$\phi$ 10X10

C

X  
14



M5X45

D

X  
11



M4X35

E

X  
32



M5X16

F

X  
46



$\phi$ 8X30

G

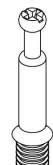
X  
14



$\phi$ 6X30

H

X  
42



$\phi$ 15X9

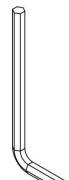
J

X  
42



$\phi$ 15X9

K



L

X  
24



M3X12

UNIT: MM

PACKAGE-B

CL

X 2



CR

X 2



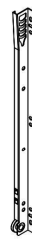
DL

X 2



DR

X 2



R

X 4



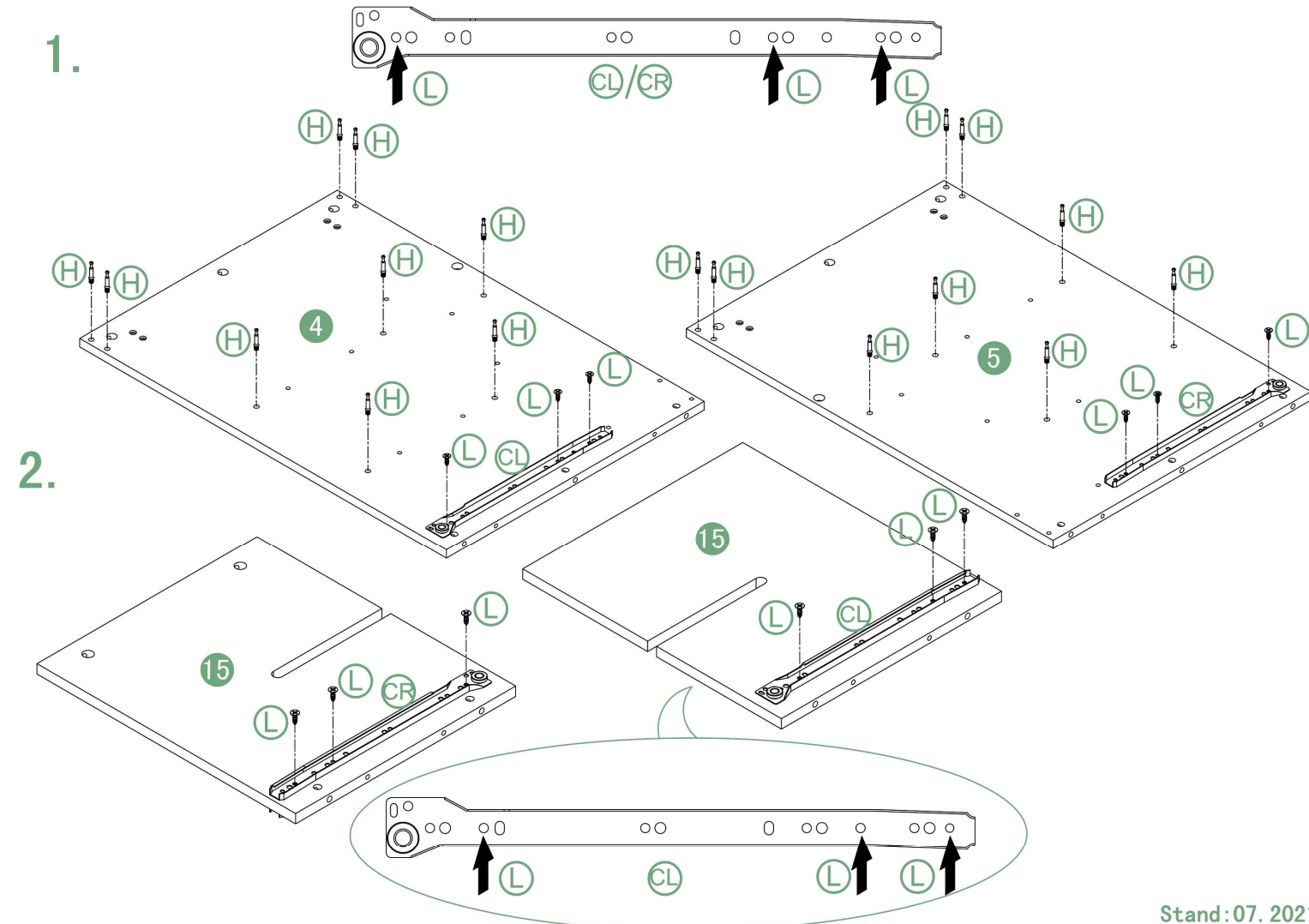
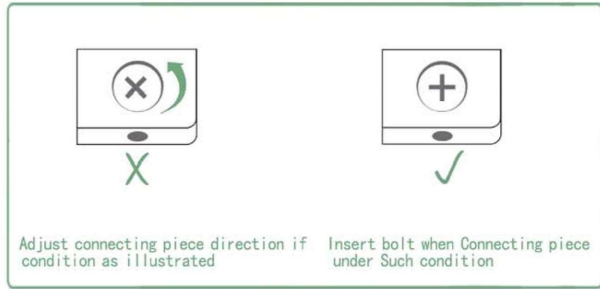
S

X 20

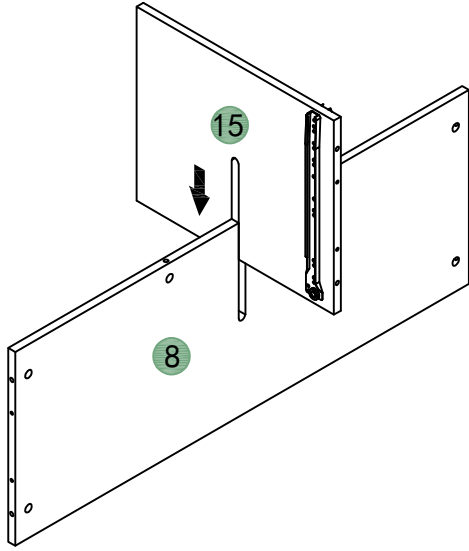


UNIT:MM

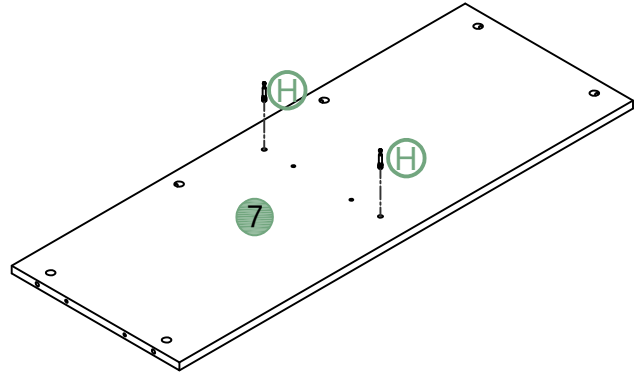
BOLT INSTALLATION AS BELOW:



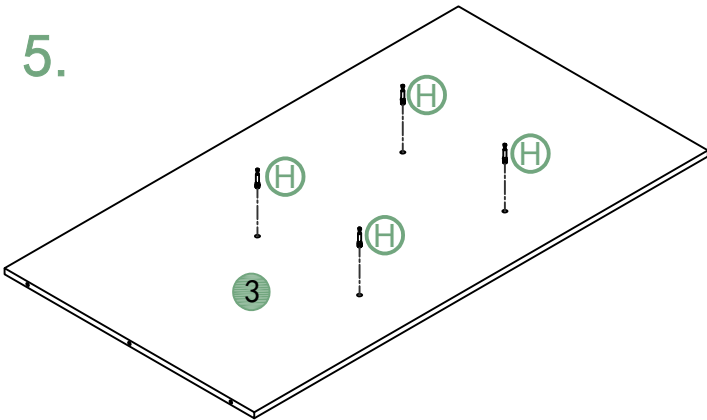
3.



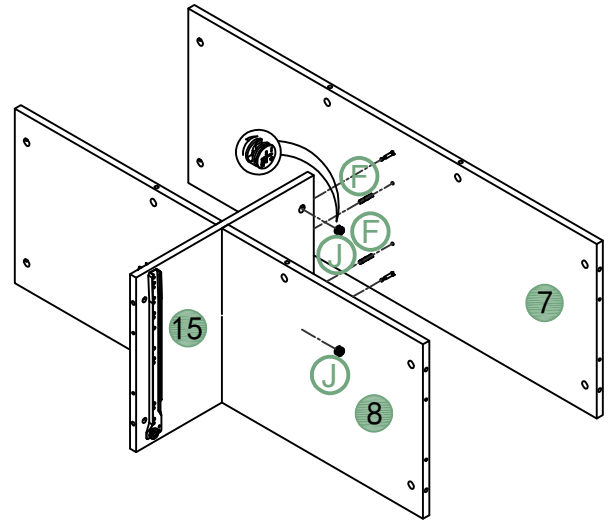
4.



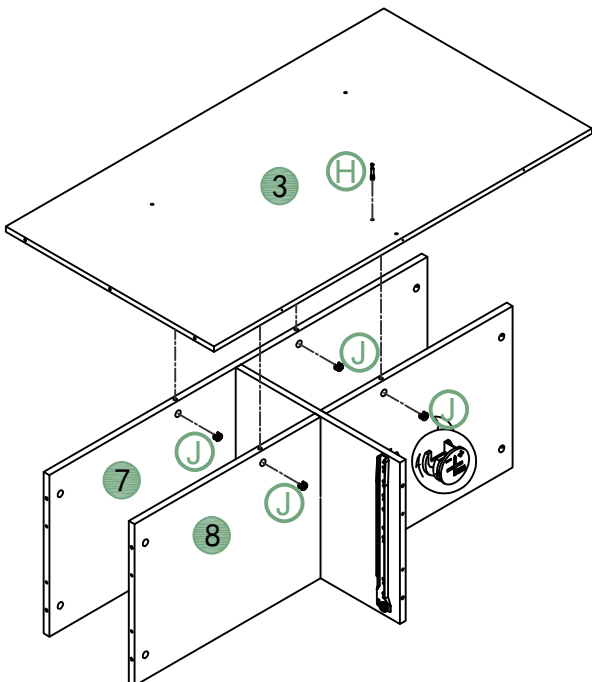
5.



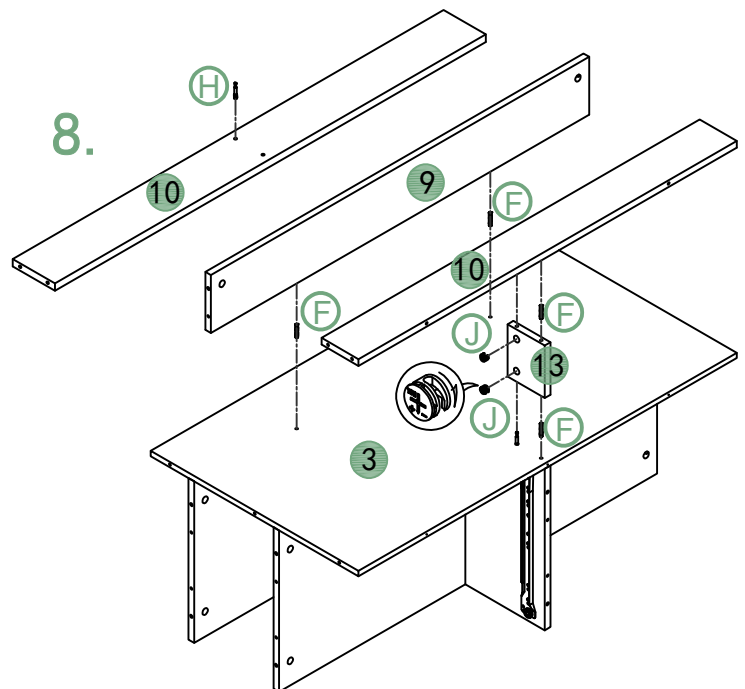
6.



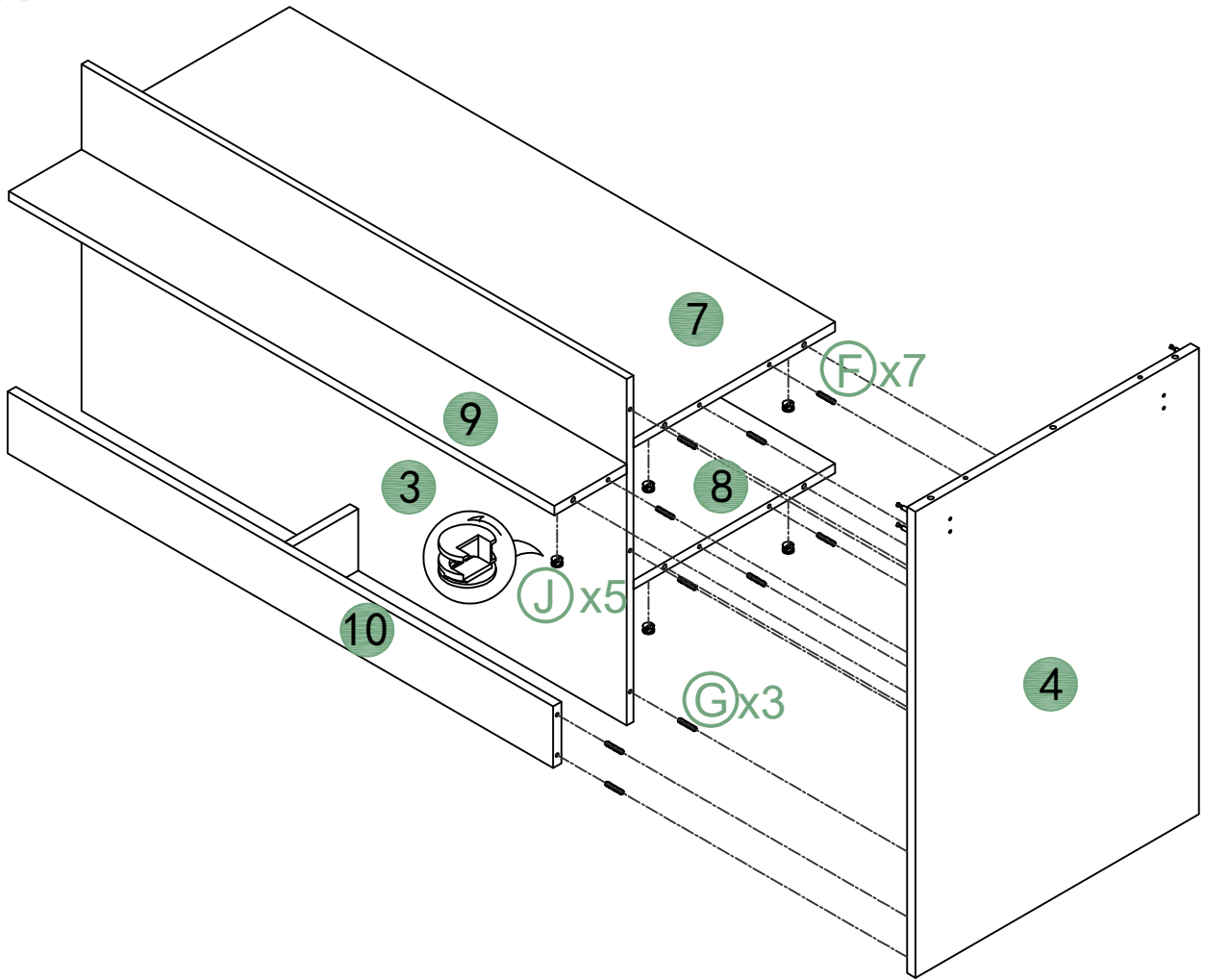
7.



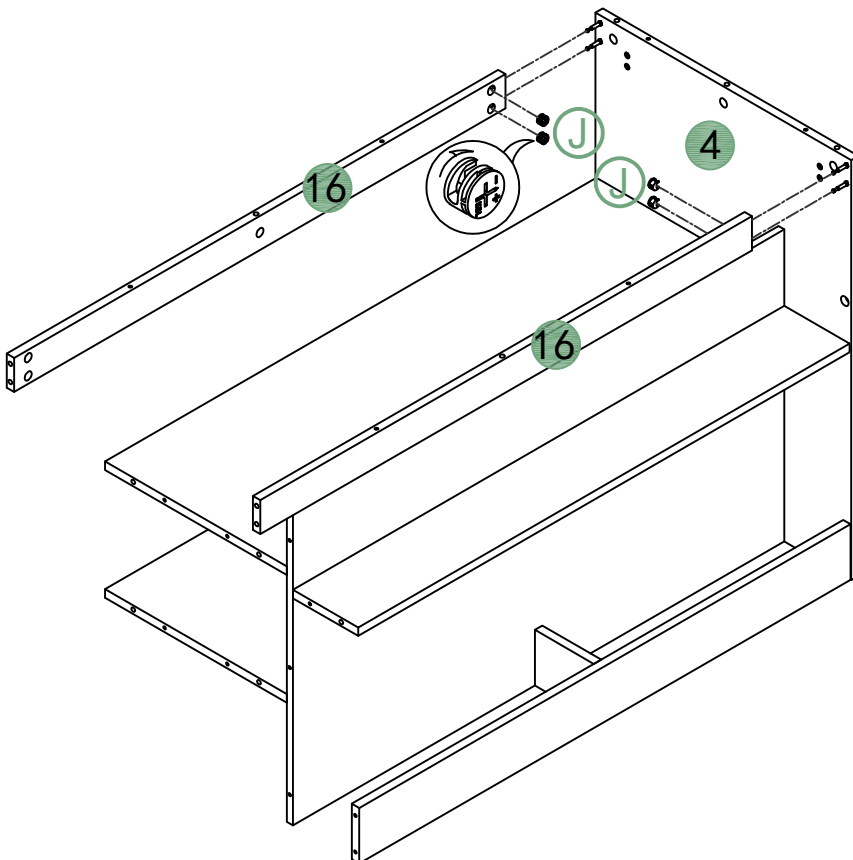
8.



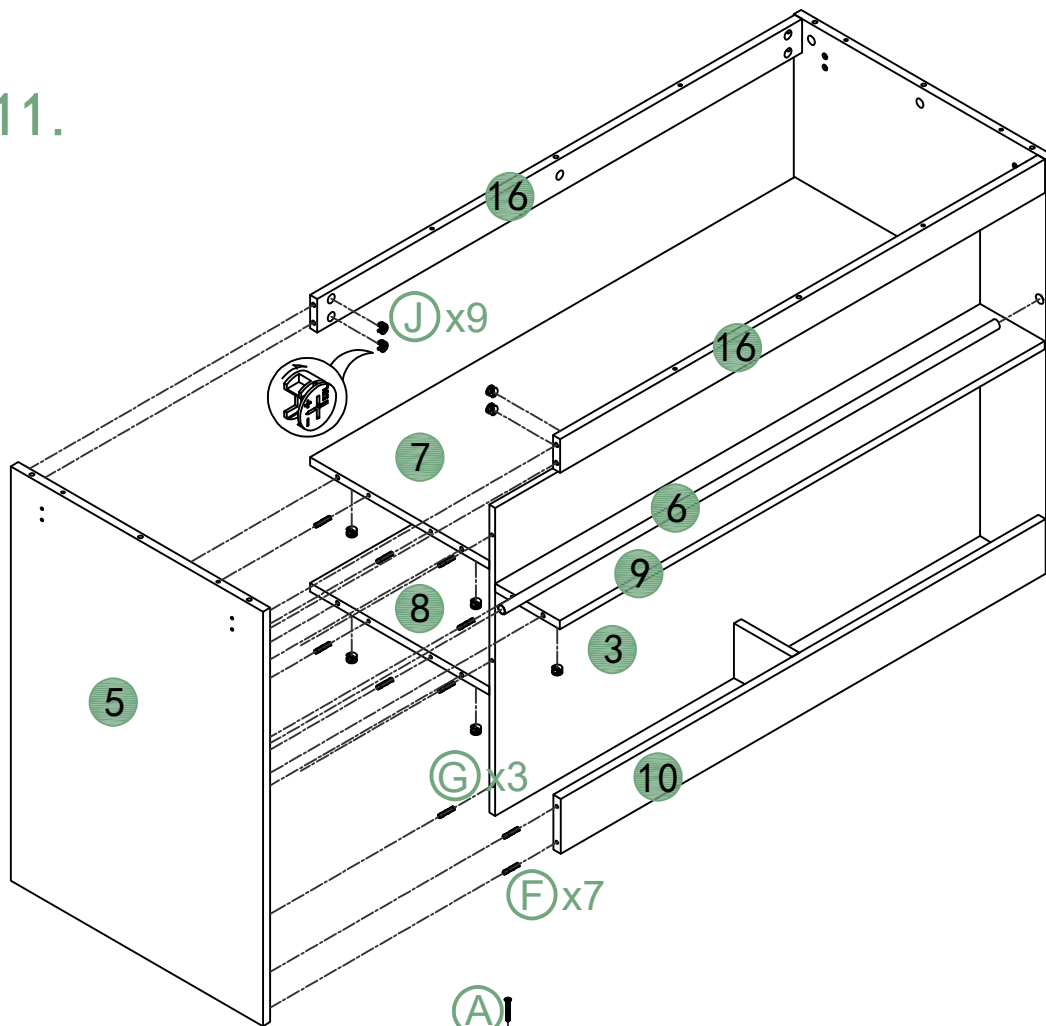
9.



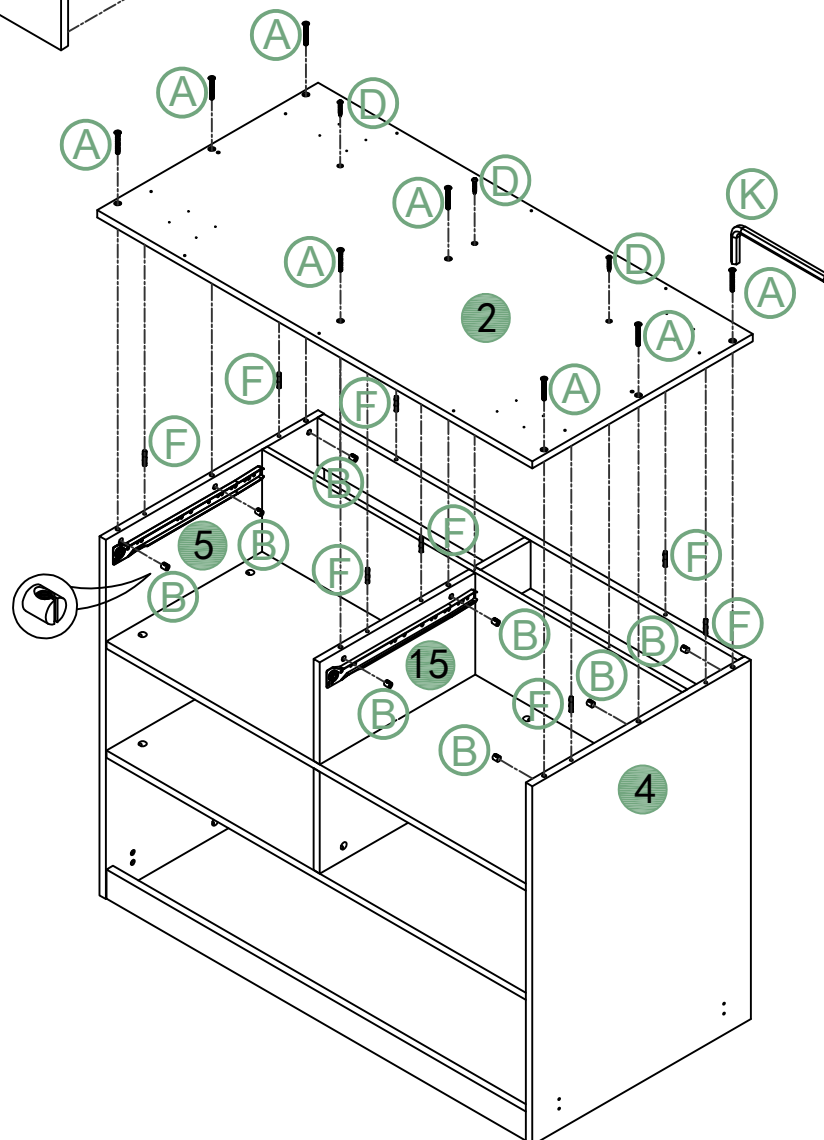
10.



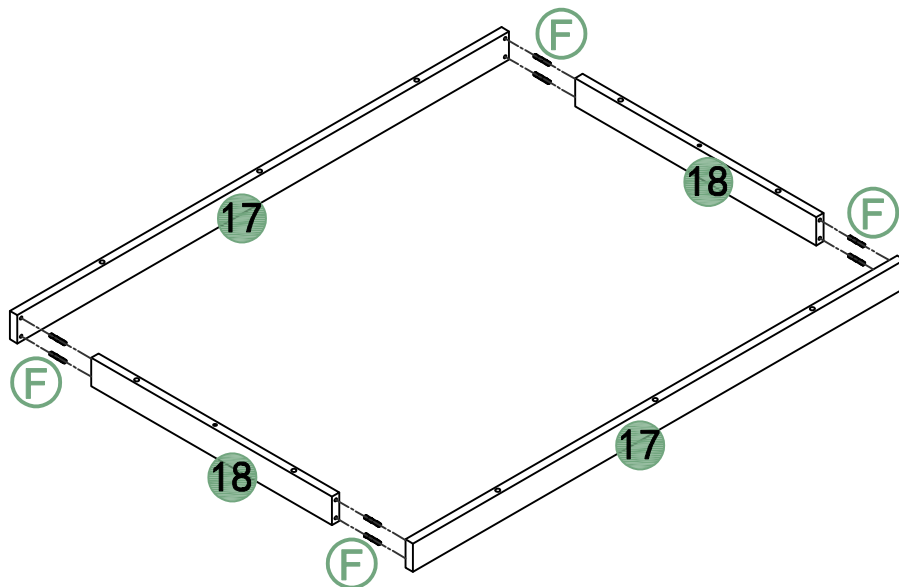
11.



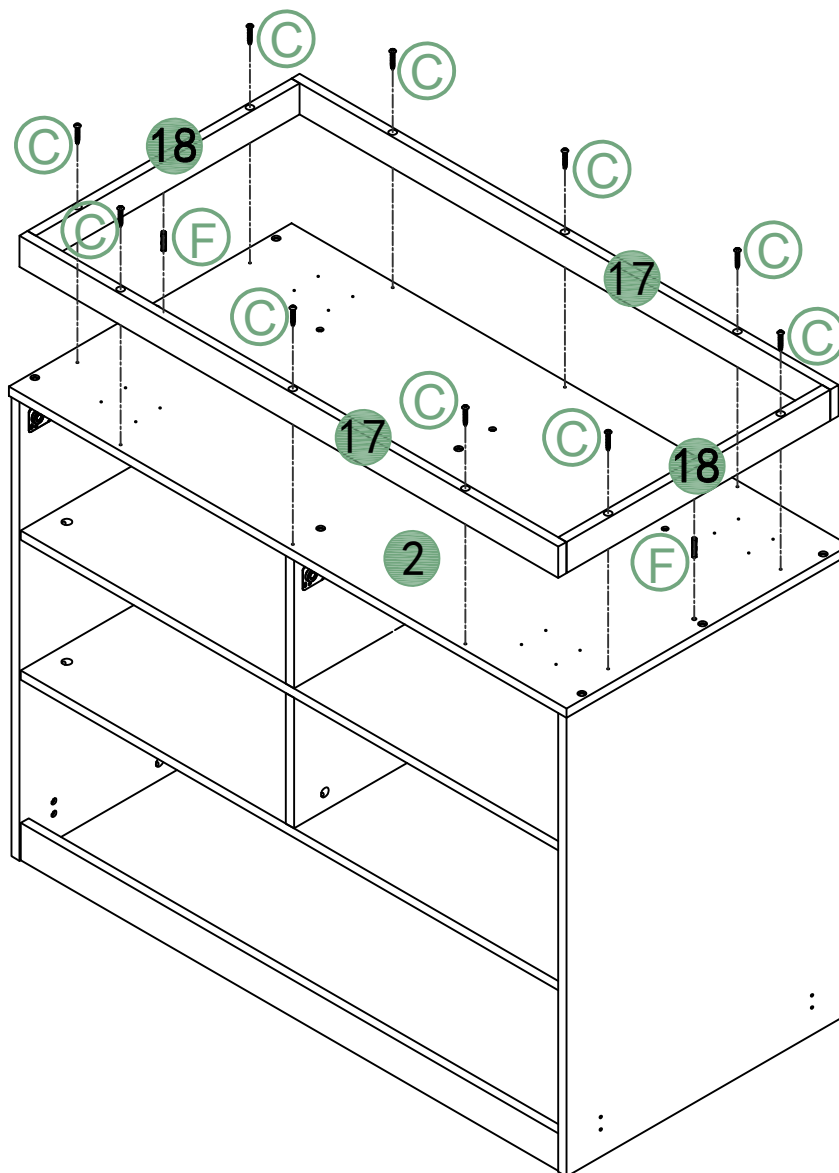
12.



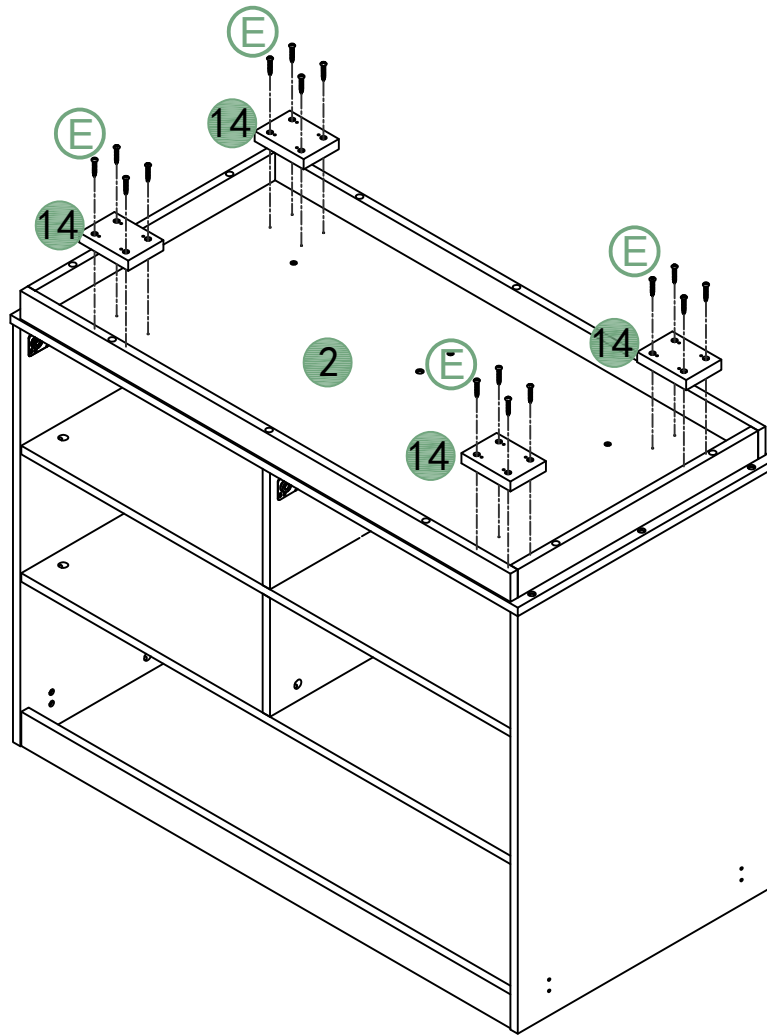
13.



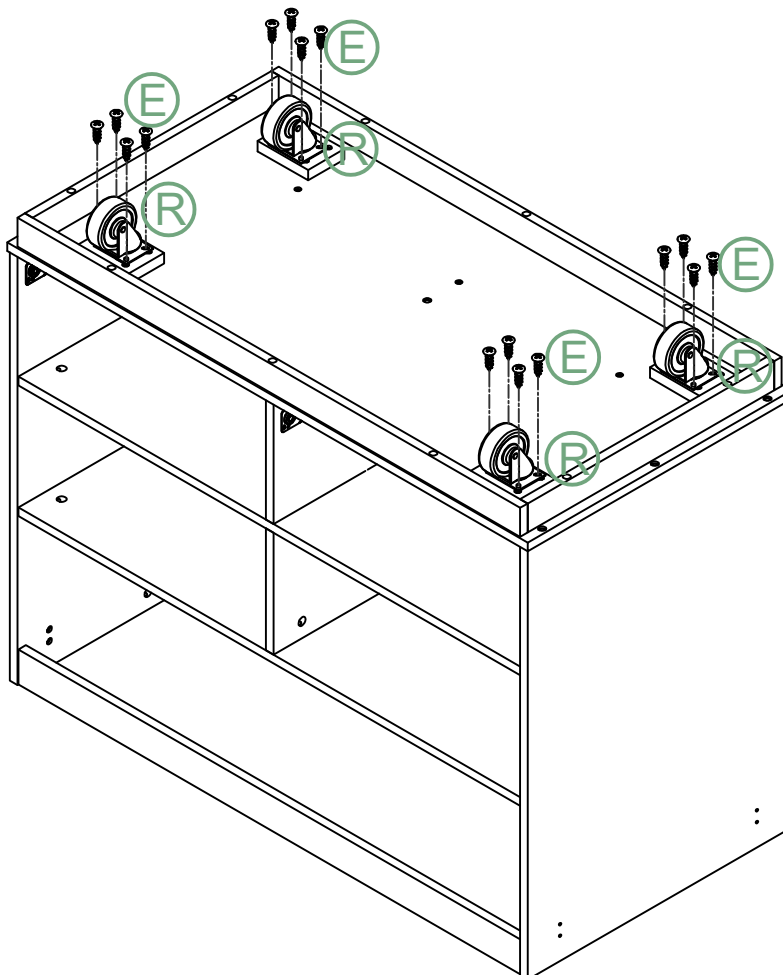
14.



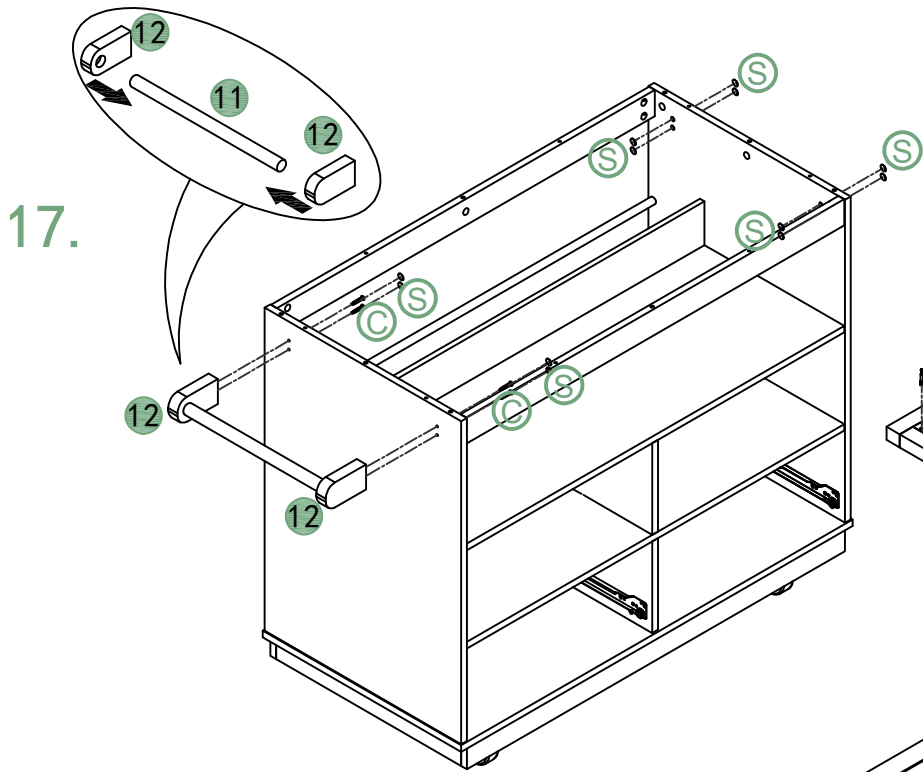
15.



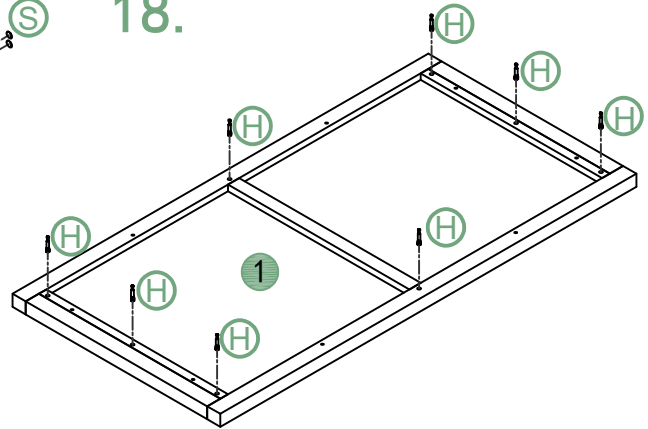
16.



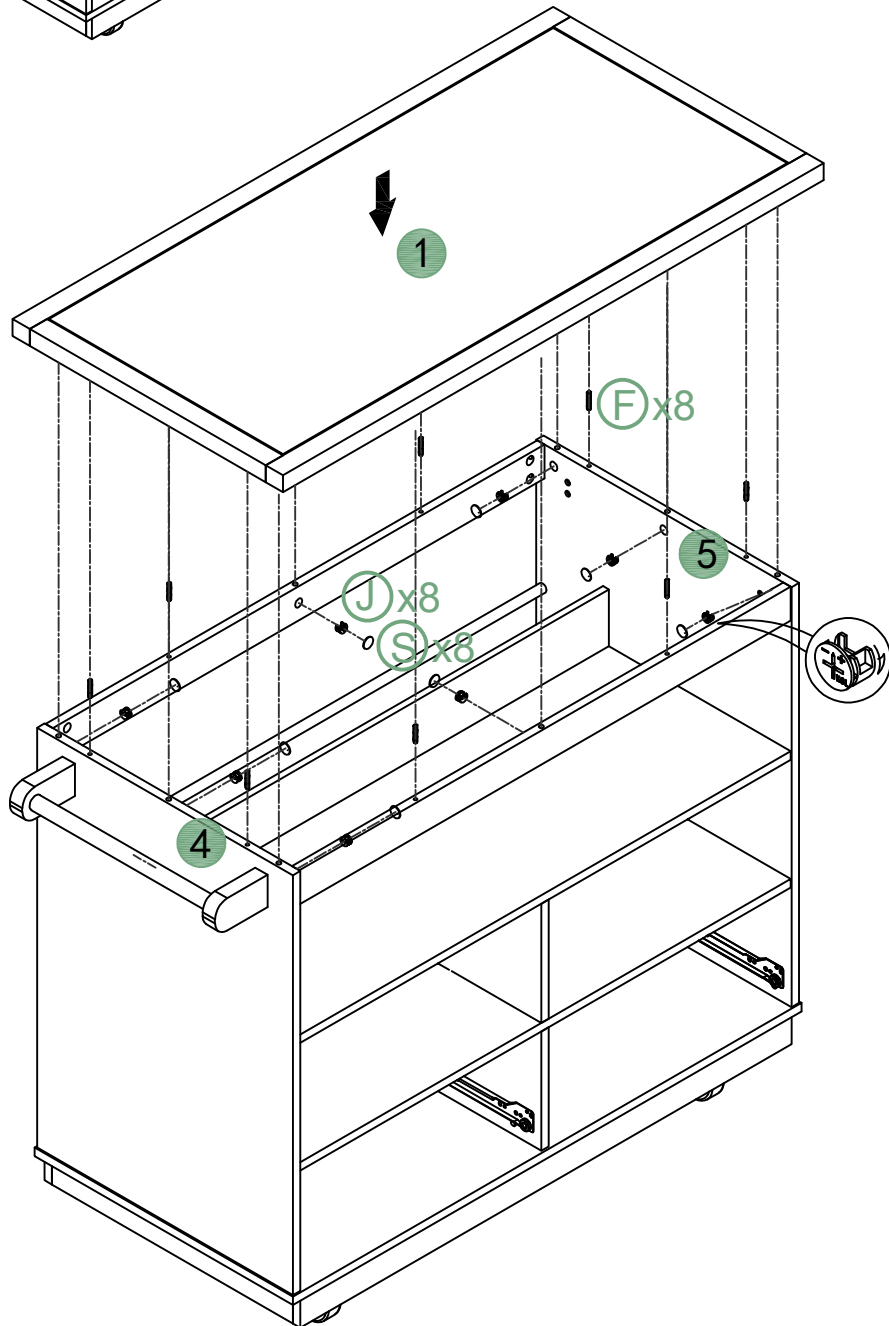




18.

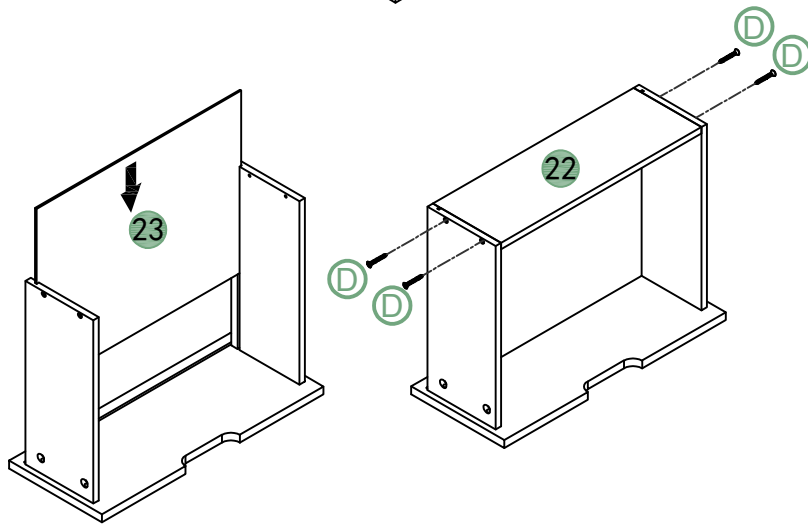
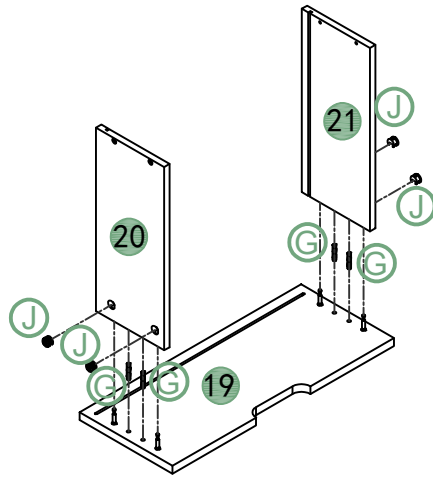
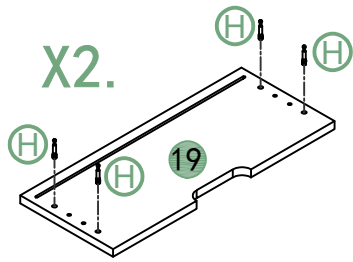


19.

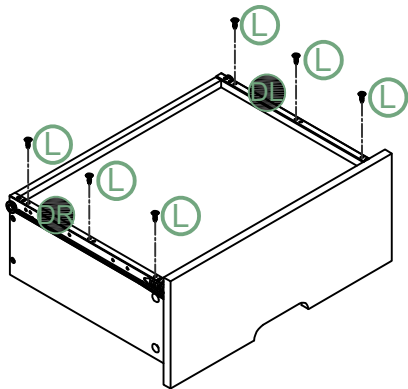




20.



21.  
X2.



22.

