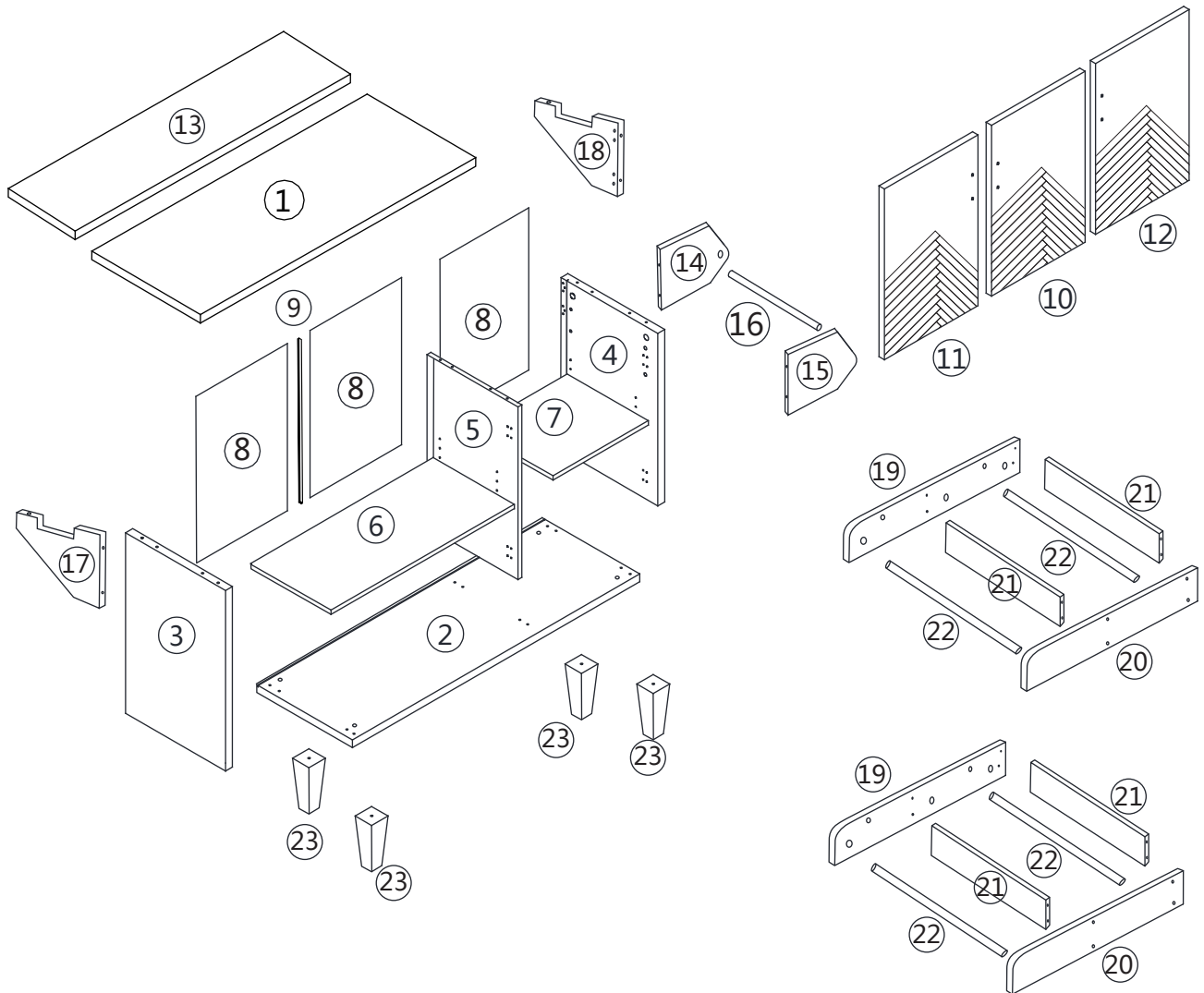
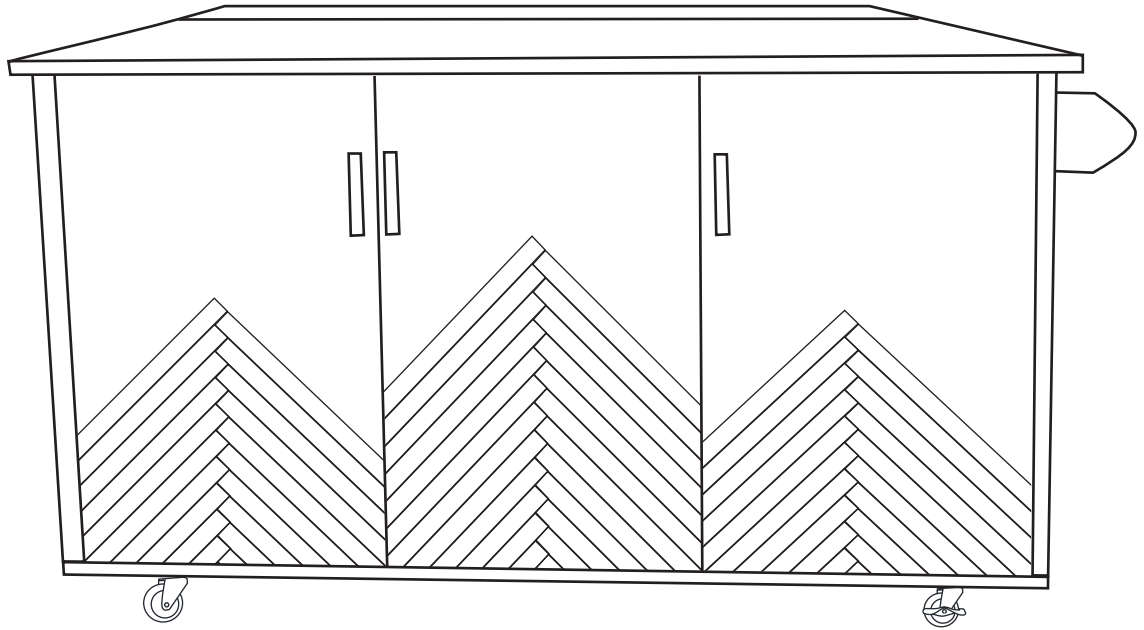


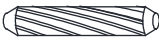


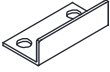




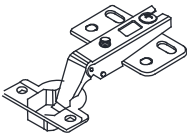
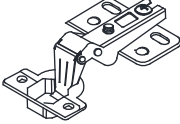



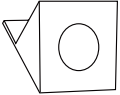


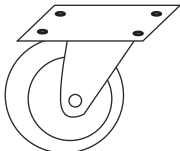
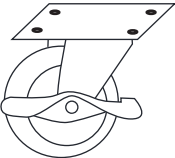
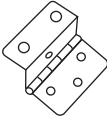
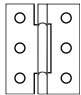


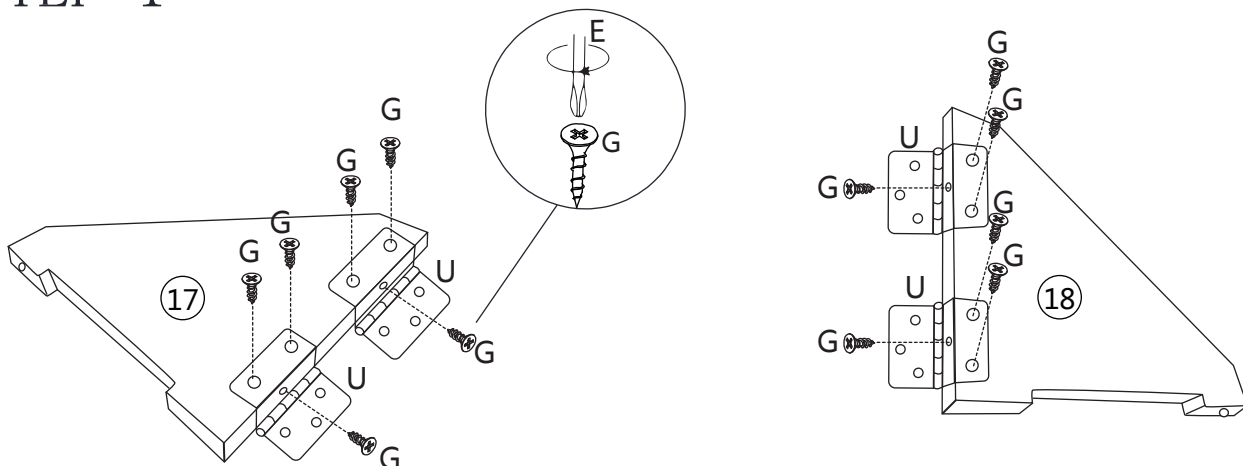




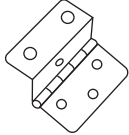
SKU:WF315658



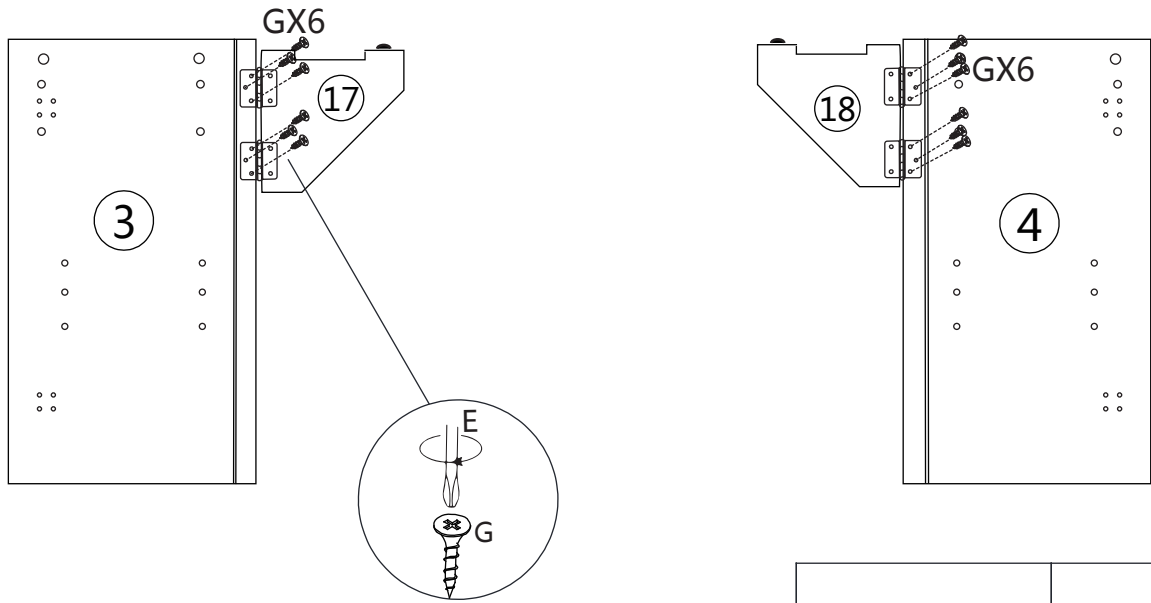
 Ø6x35mm	 Ø15x12mm	 Ø6x30mm	 Ø5x60mm	
AX18	BX18	CX12	DX6	EX1
	 Ø3x14mm			 Ø8x35mm
FX2	GX54	HX1	IX8	JX4
		 Ø4x16mm		 Ø4x25mm
KX2	LX4	MX36	NX3	OX6
		 Ø6x15mm		
PX8	QX3	RX16	SX2	TX2
		 Ø4x40mm	 Ø3x30mm	
UX4	VX3	WX4	XX16	



STEP 1



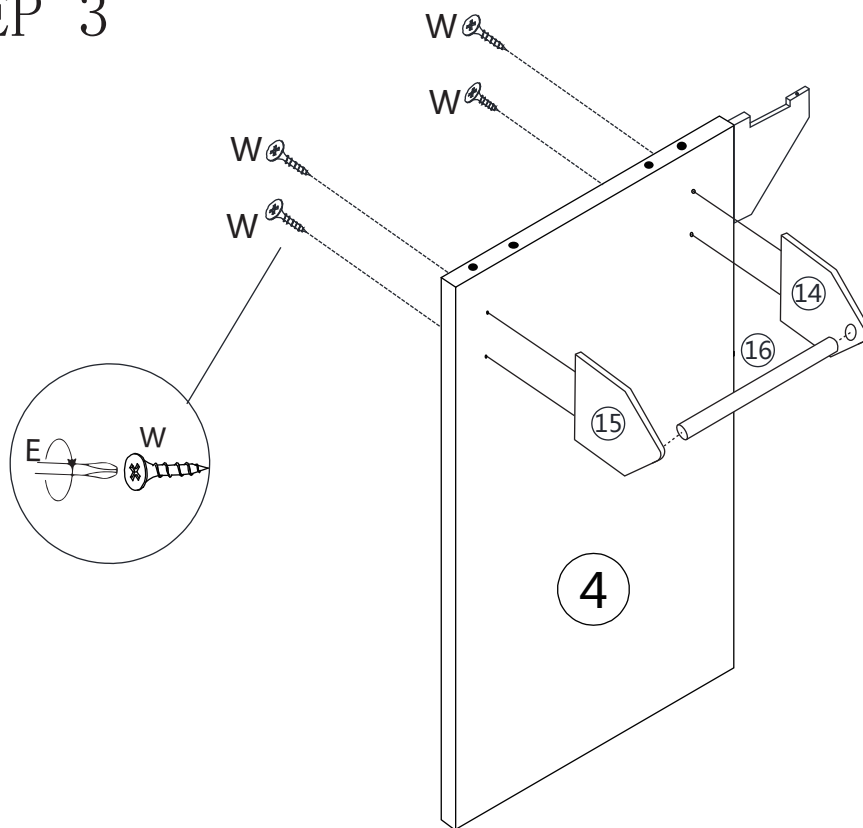
	 Ø3x14mm	
EX1	GX12	UX4



STEP 2



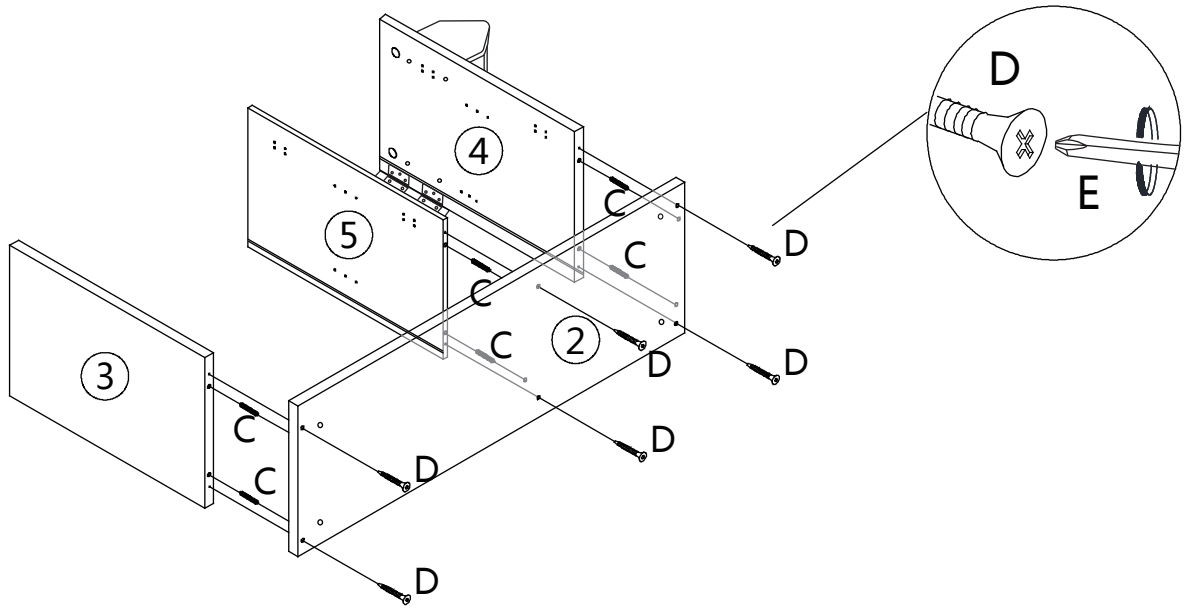
	
EX1	Ø3x14mm GX12




STEP 3



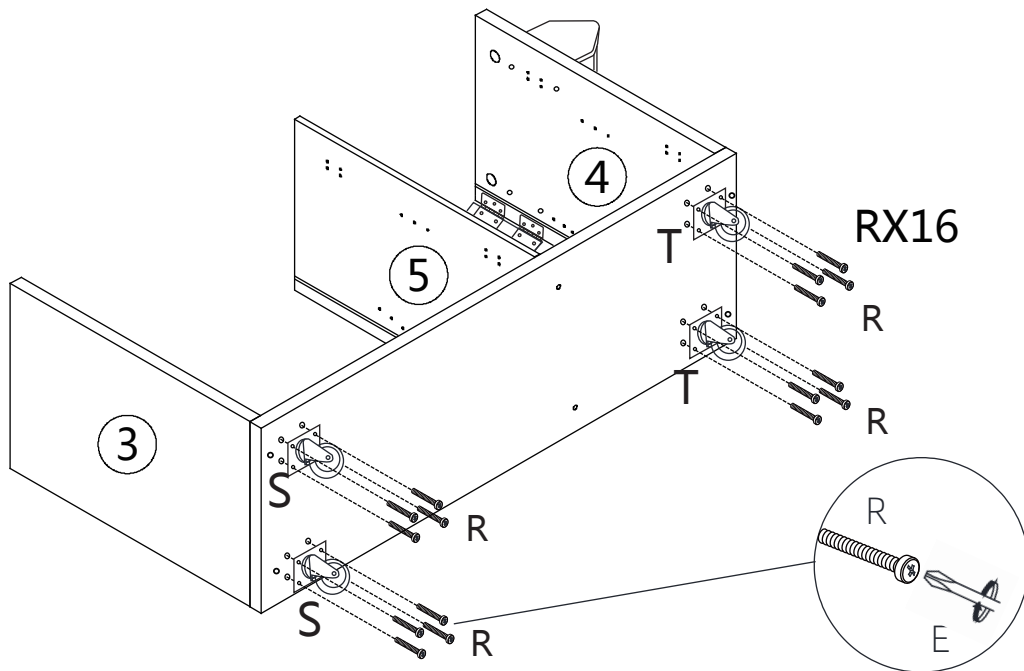
	
EX1	Ø4x40mm WX4



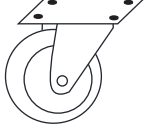

STEP 4



		
Ø6x30mm	Ø5x60mm	
CX6	DX6	EX1

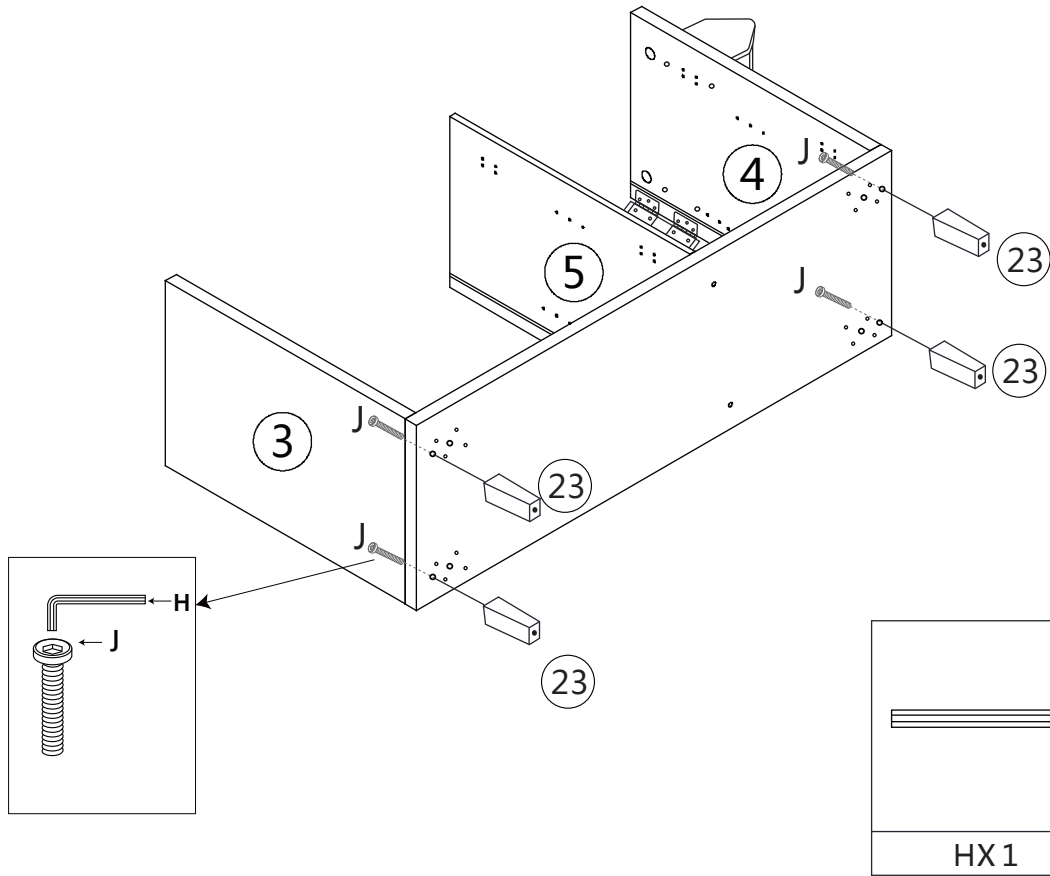
STEP 5



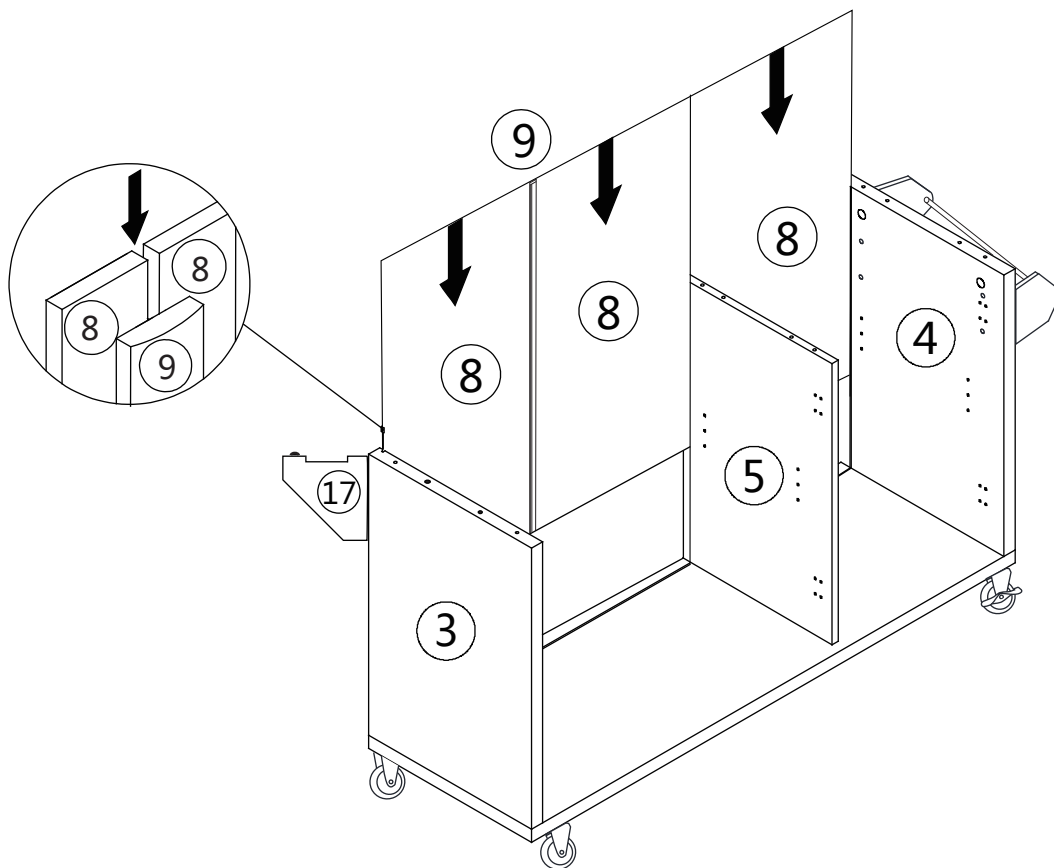
			
	Ø6x15mm		
EX1	RX16	SX2	TX2

OR

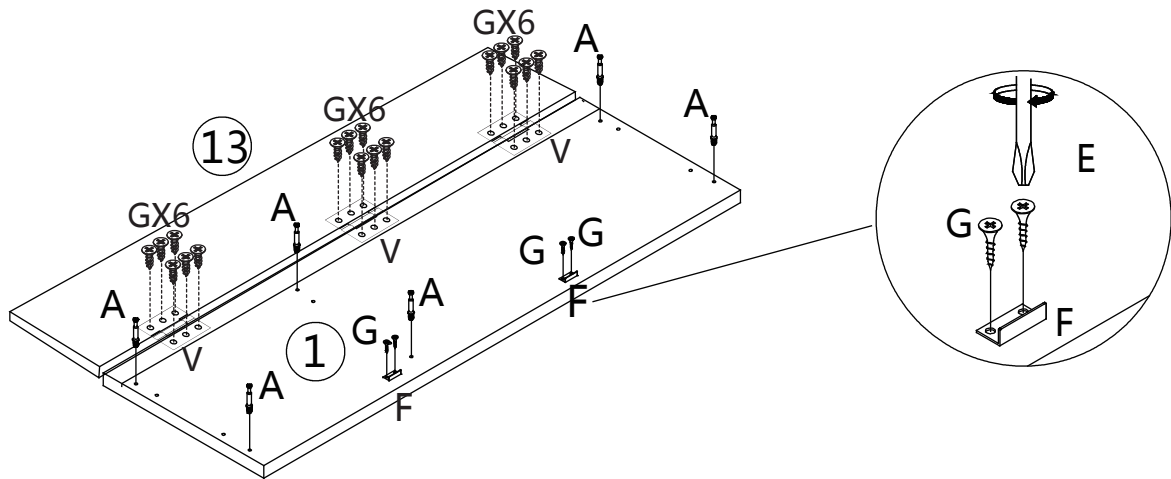
STEP 5-1


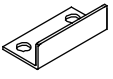


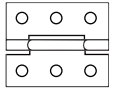


STEP 6

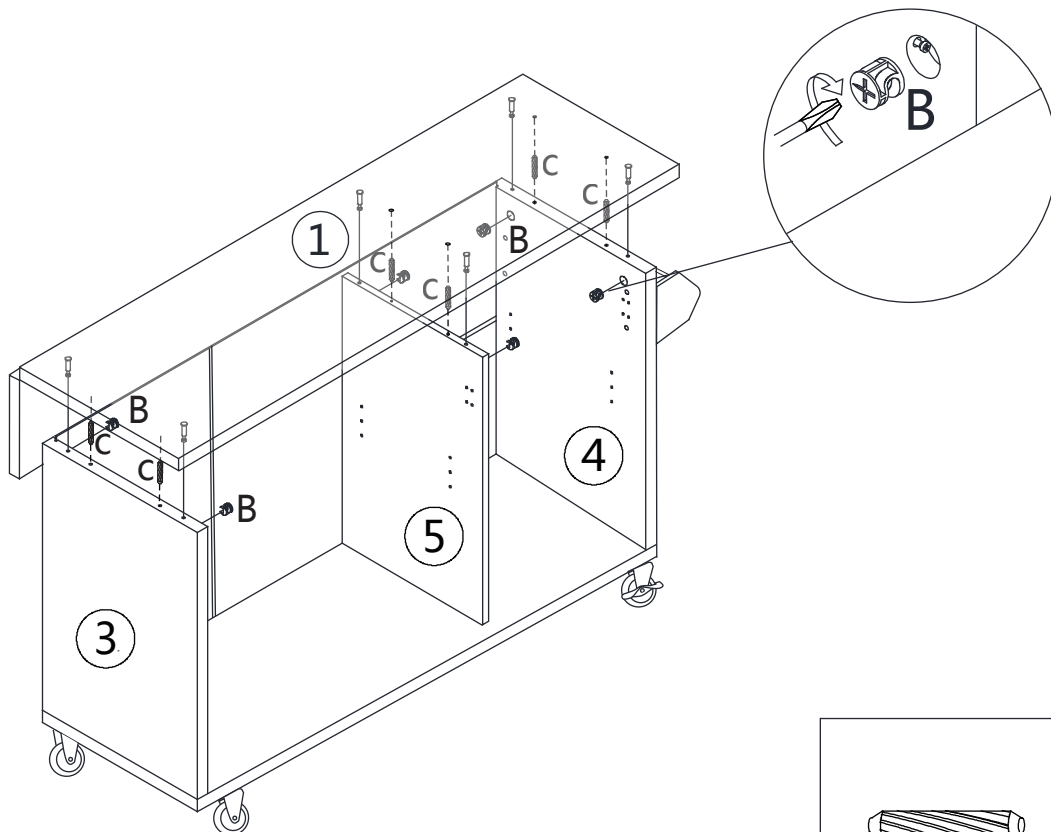




STEP 7



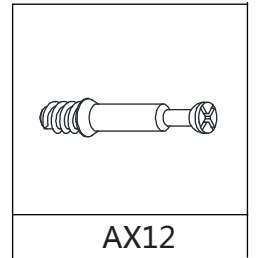
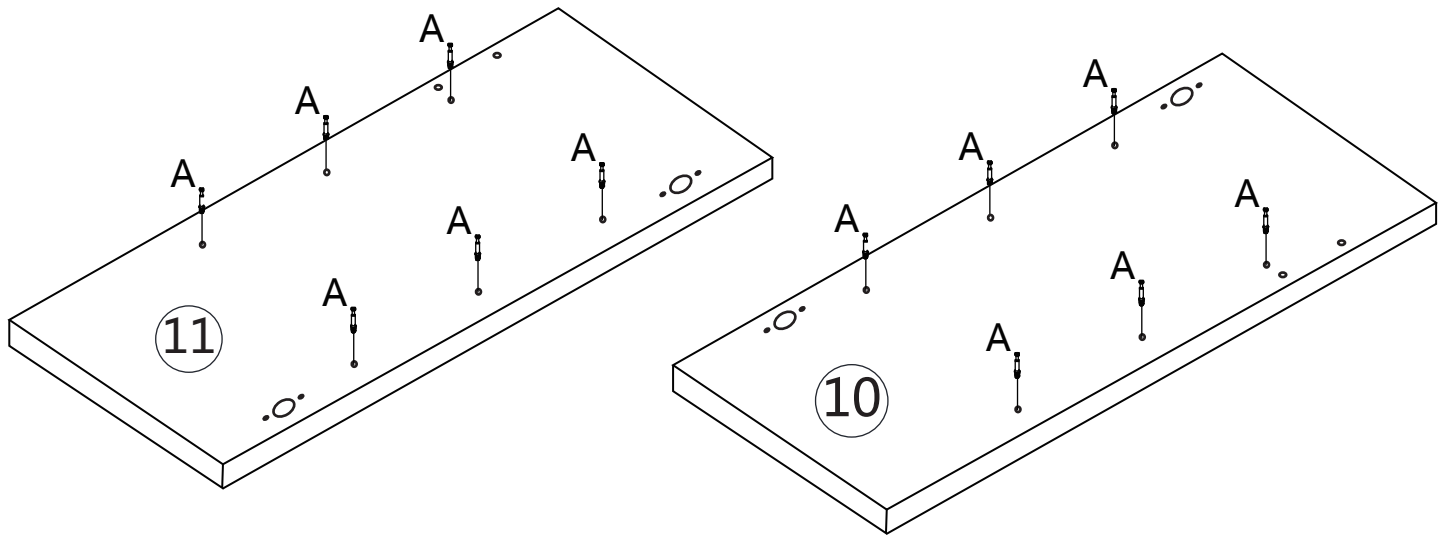
				
Ø6x35mm			Ø3x14mm	
AX6	FX2	EX1	GX22	VX3

STEP 8



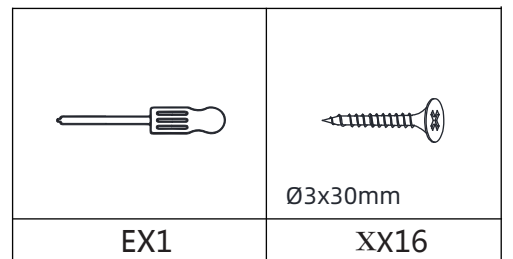
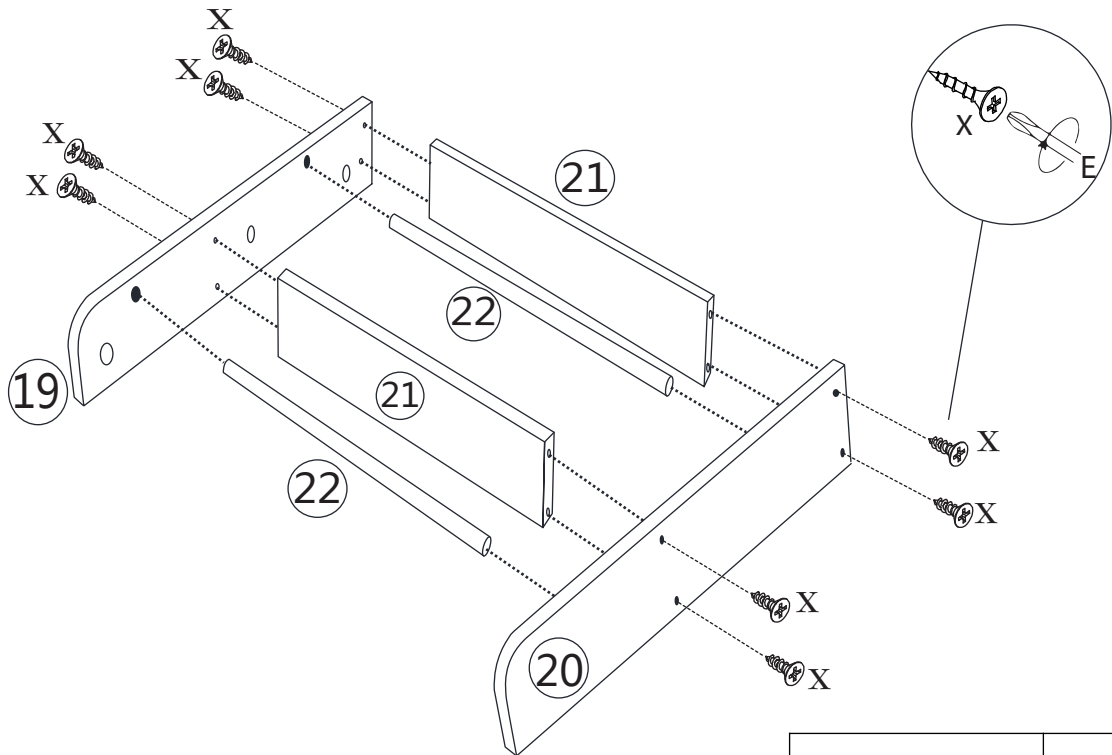
	
	Ø15x12mm
CX6	B X6

STEP 9

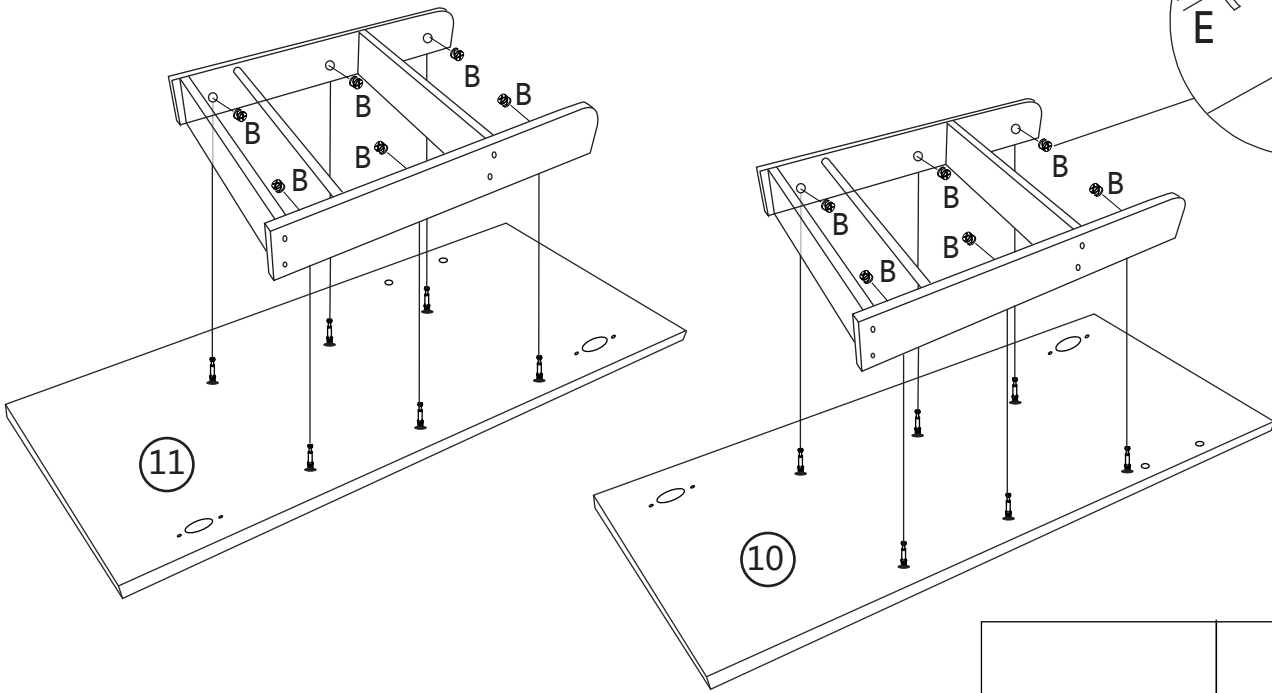




STEP 10

X2



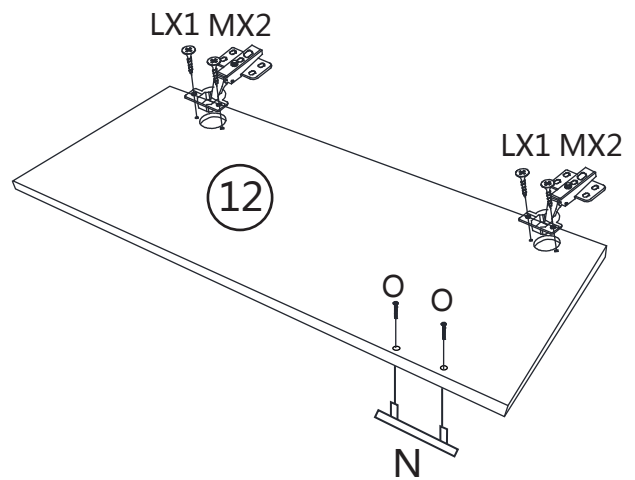
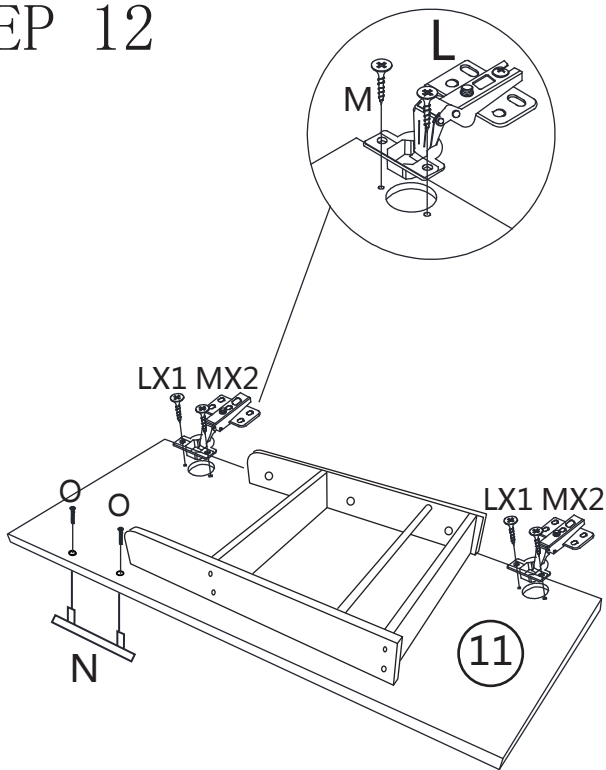
STEP 11


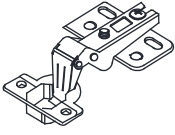




	
EX1	Ø15x12mm BX12

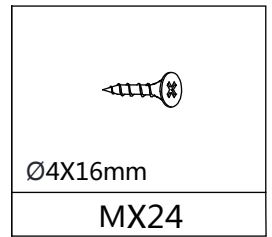
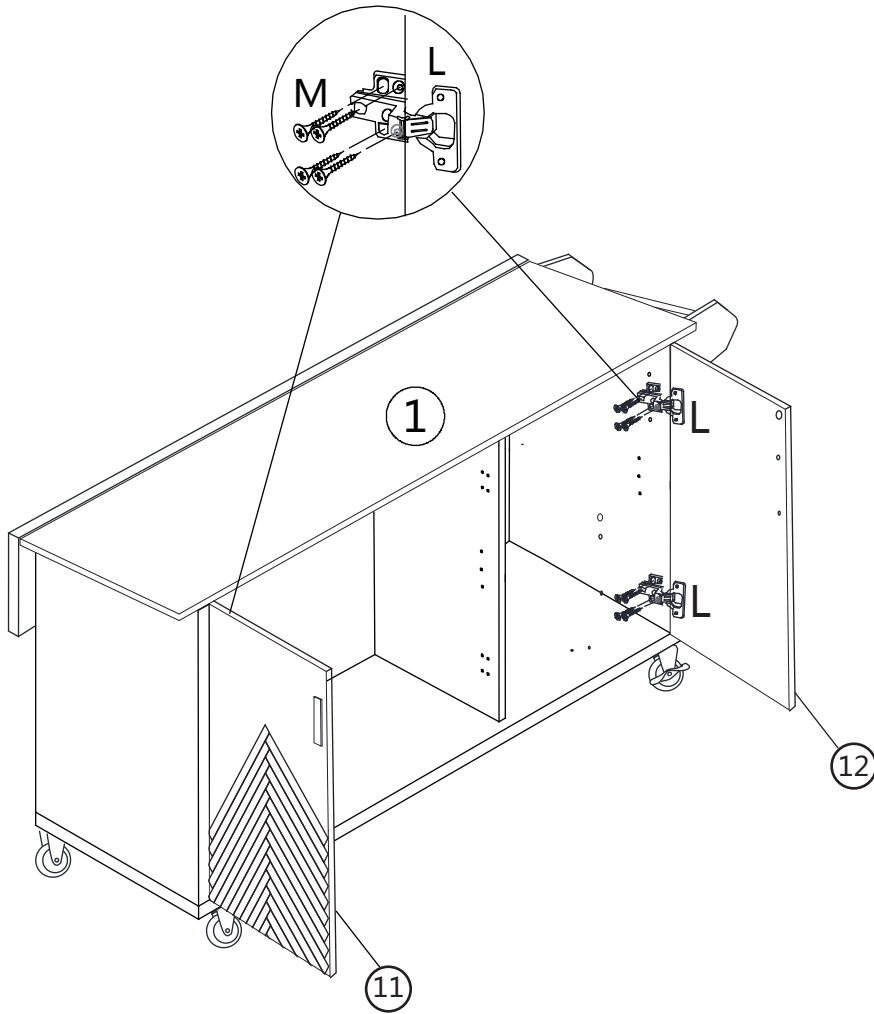
STEP 12

This product is equipped with L and K two similar hydraulic hinges, please pay attention to distinguish when installing.



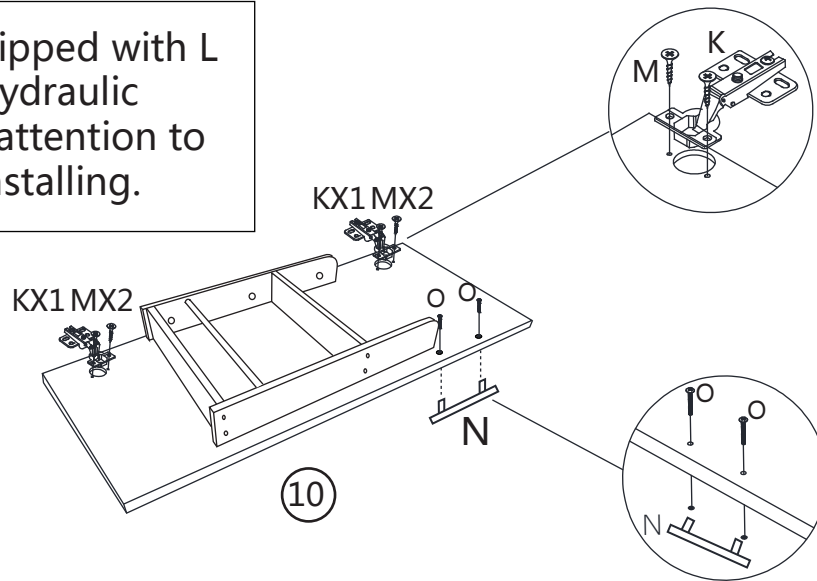
			
Ø4x16mm MX8	LX4	NX2	Ø4x25mm OX4


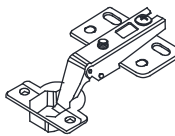


STEP 13



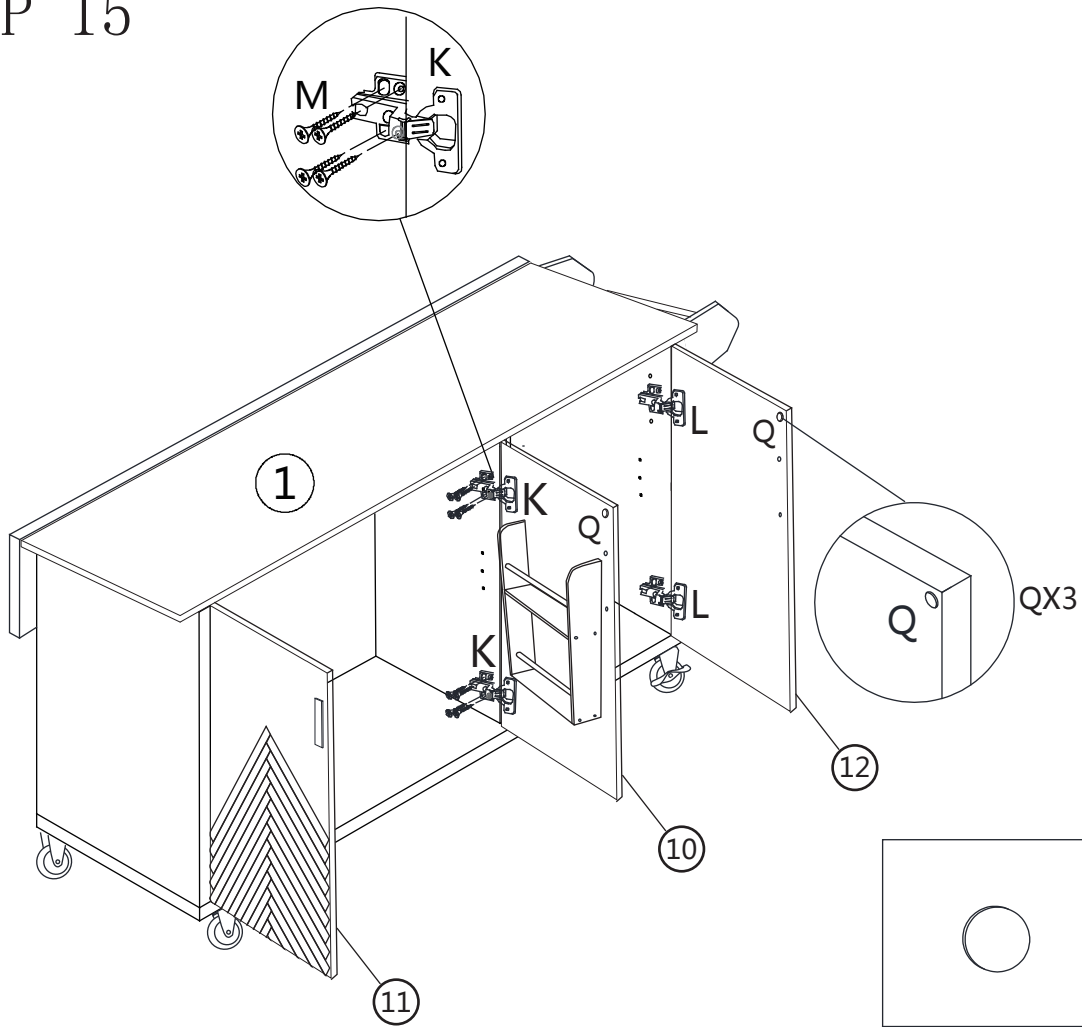
STEP 14

This product is equipped with L and K two similar hydraulic hinges, please pay attention to distinguish when installing.

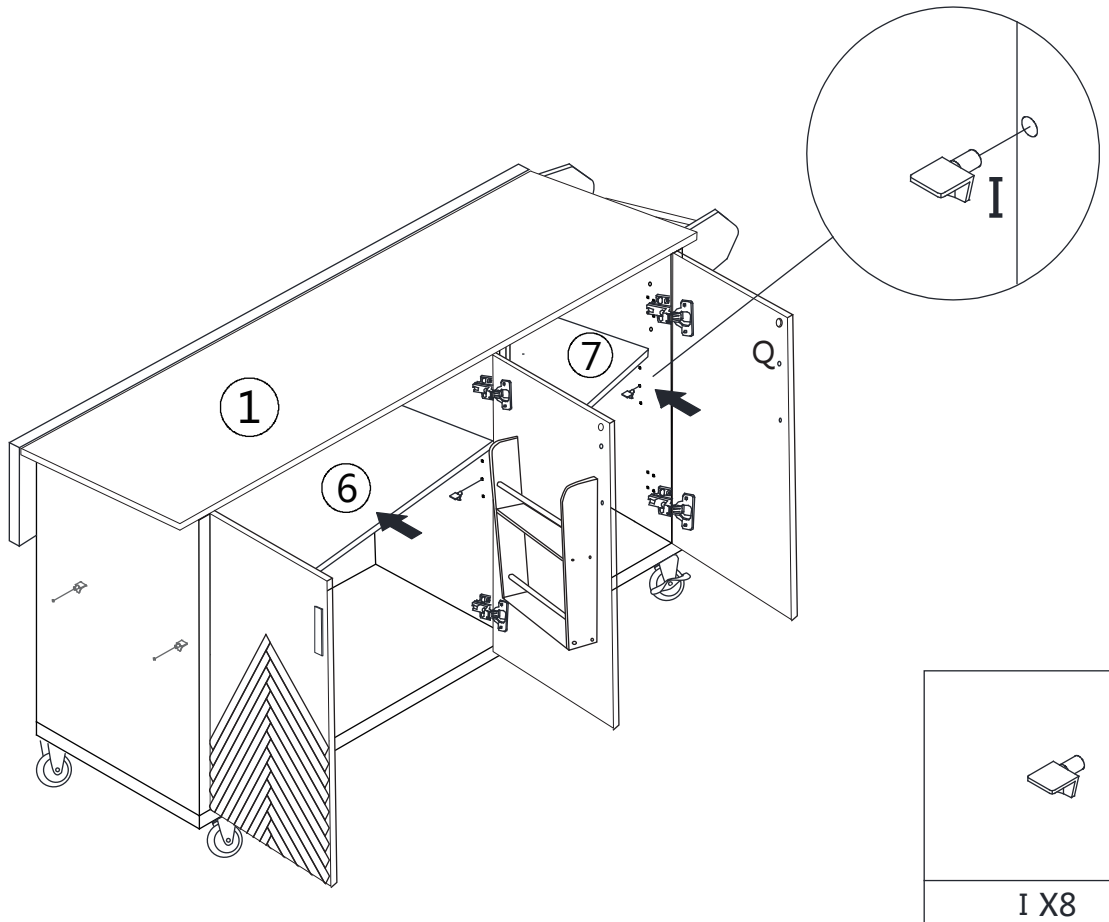


			
Ø4x16mm			Ø4x25mm
MX4	KX2	NX1	OX2

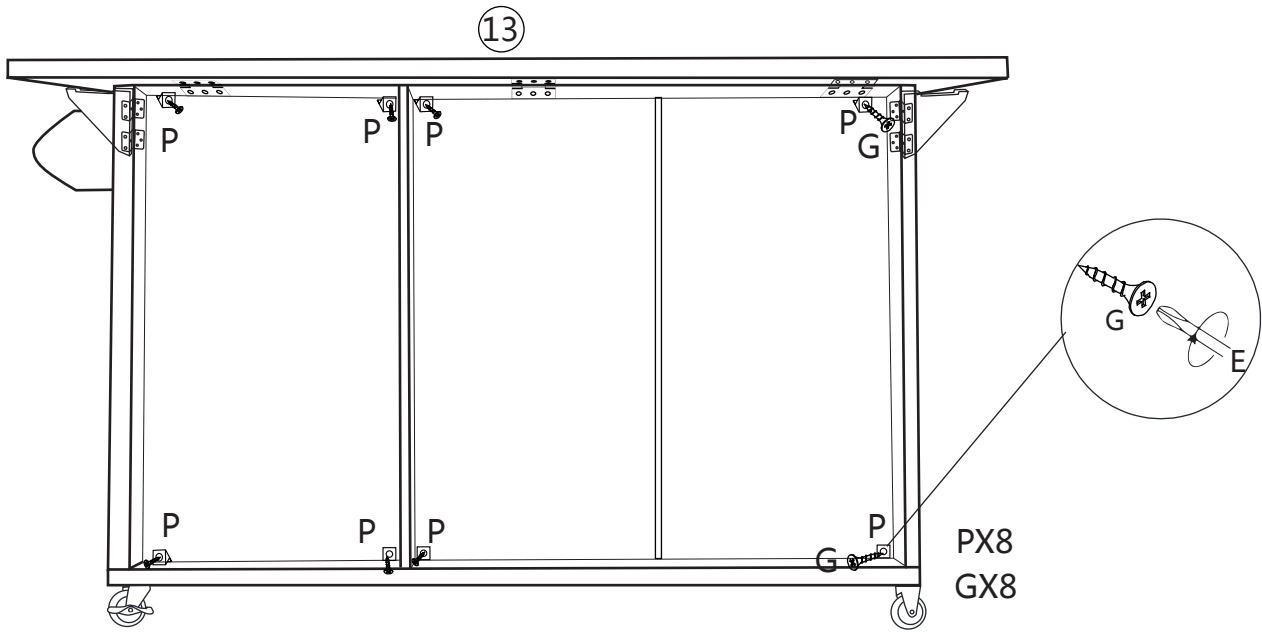
STEP 15

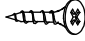



STEP 16

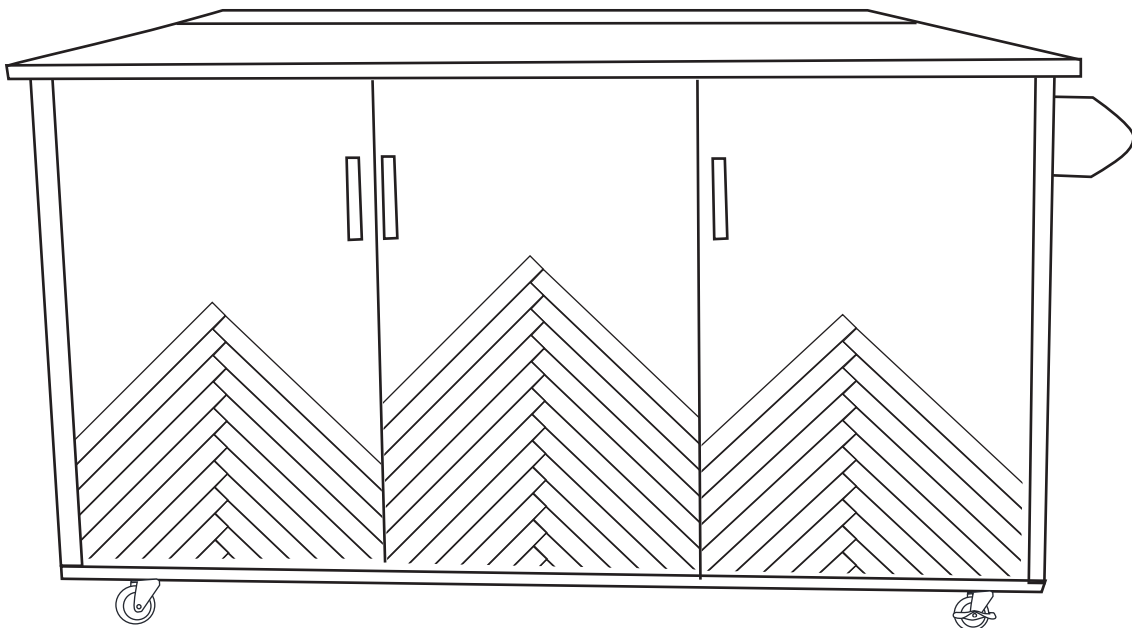


STEP 17



 Ø3X14mm GX8	 PX8
--	---

STEP 18

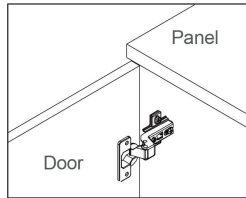


Assembly Steps(EN) / Montageschritte(DE)

HOW TO ADJUST THE HINGES TO ALIGN THE DOORS IF NEEDED.

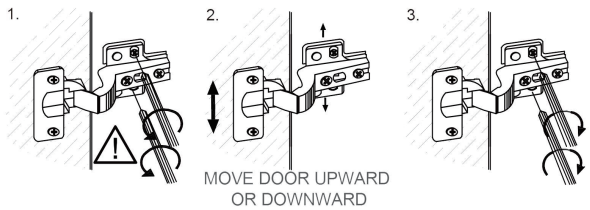
STEP 1

Open the door.



STEP 2

Adjust the door panels upward or downward



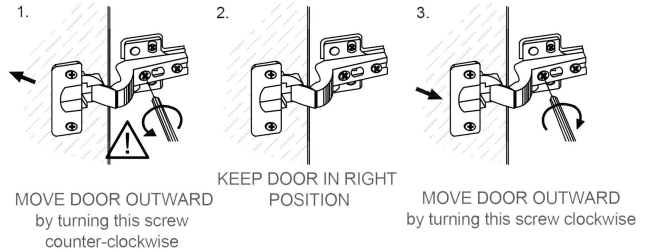
1. Unscrew 2 screws in round holes loosen 2 screws in oval holes a bit.

2. MOVE DOOR UPWARD OR DOWNWARD

3. Tighten 2 screws in oval holes. Screw in 2 screws in round holes

STEP 3

Adjust the flush between door panel and side panel



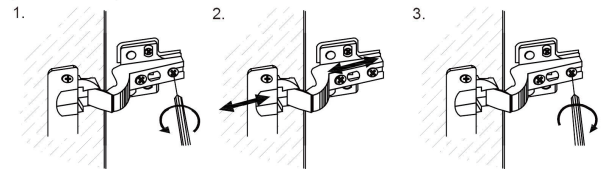
1. MOVE DOOR OUTWARD by turning this screw counter-clockwise

2. KEEP DOOR IN RIGHT POSITION

3. MOVE DOOR OUTWARD by turning this screw clockwise

STEP 4

Adjust the Gap between door panel and side panel



1. Loosen this screw a bit.

2. MOVE DOOR BACK OR FORTH

3. Re-tighten this screw.