

ASSEMBLY INSTRUCTIONS

ITEM # : WF313002

Thank you for purchasing this quality Product. Be sure to check all packing material carefully for small parts, which may have come loose inside carton during shipment. identify and count all parts and compare with the parts list below.


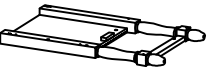
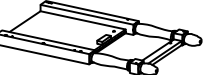



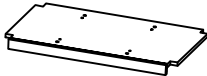
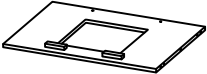
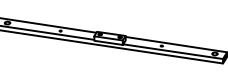

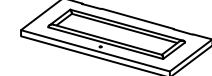



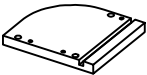






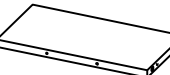
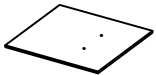
ASSEMBLY INSTRUCTION:



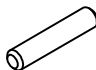

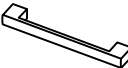


1. Remove hardware from box and sort by size.
2. Please check to see that all hardware and parts are present prior start of assembly.
3. Please follow attached instruction in the same sequence as numbered asure fast and aesy assembly.





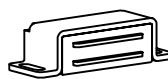




WARNING!

1. Dont attempt to repair or modify parts that are broken or defective. Please contact the store immediately.
2. This productis for home use only and not intended for commercial esablishments.
3. Two persons are required for assembly.
4. Approximate assembly time 1/2 hours.
5. Component parts and fittings contained in the box. Please sort out all parts before you begin to assemble the item. This is to make sure you always use the correct part.
6. It is **STRONGLY RECOMMENDED** that you **ANCHOR** this product.toling furniture can cause serious injuries and death. To prevent your furniture from tipping forward it is strongly recommended that you securely attach this product to a wallr other solid surface, using the anchor straps provided appropriate fixings.

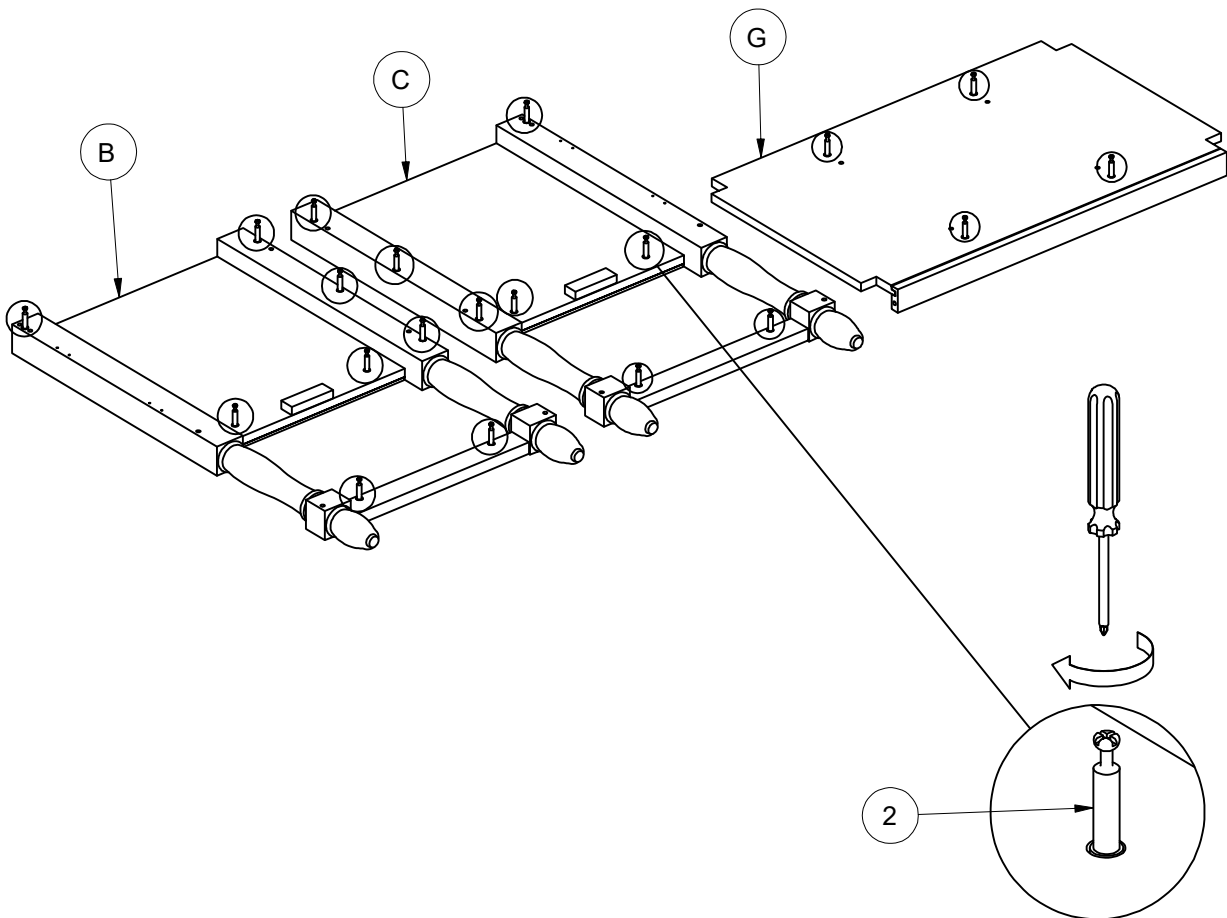
| No. | Component | Q'ty |
|-----|--|------|
| A |  Sink | 1 |
| B |  Side Panel-Left | 1 |
| C |  Side Panel-Right | 1 |
| D |  Middle Panel-Left | 1 |
| E |  Middle Panel-Right | 1 |
| F |  Shelf | 1 |
| G |  Bottom | 1 |
| H |  Back Panel | 1 |
| I |  Front Rail | 1 |
| K |  Door-Left | 1 |
| L |  Door - Right | 1 |

| No. | Component | Q'ty |
|-----|---|------|
| M |  Drawers flip-Front | 1 |
| N |  Drawers flip-side Left | 1 |
| O |  Drawers flip-side Right | 1 |
| P |  Drawers flip-Back | 1 |
| Q |  Drawers flip-Bottom | 1 |
| R |  Drawers-Front | 1 |
| S |  Drawers side-Left | 1 |
| T |  Drawers side-Right | 1 |
| U |  Drawers-Back | 1 |
| V |  Drawers-Bottom | 1 |

| No. | Hardware | | Q'ty |
|-----|---|----------------|------|
| 1 |  | Cam Lock | 20 |
| 2 |  | Cam Lock Screw | 20 |
| 3 |  | Wooden | 36 |
| 4 |  | Screws Ø4x25 | 14 |
| 5 |  | Handles | 2 |
| 6 |  | Screws Ø4x30 | 4 |
| 7 |  | Knob | 2 |

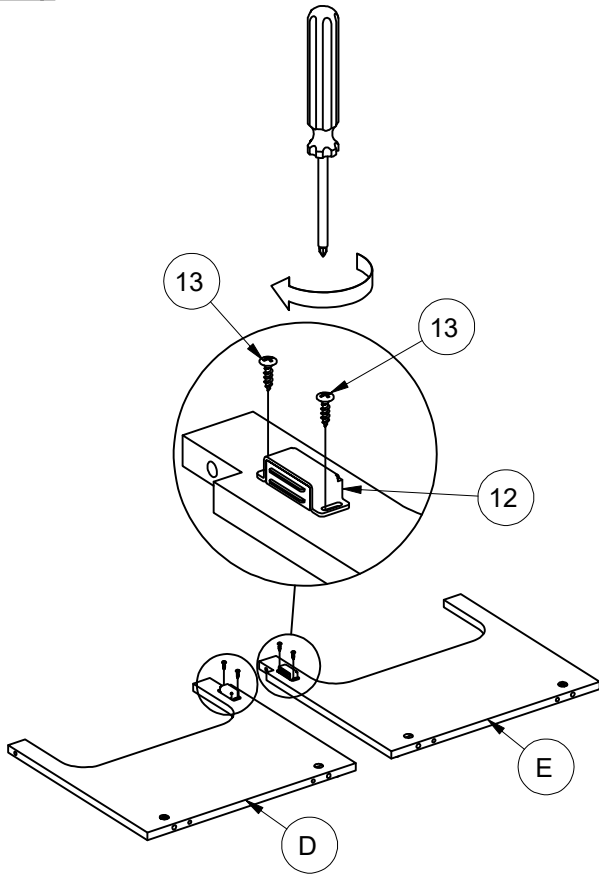
| No. | Hardware | | Q'ty |
|-----|--|----------------|------|
| 8 |  | Screws Ø4x20 | 2 |
| 9 |  | Screws Ø3x15 | 8 |
| 10 |  | Flap Stay | 1 |
| 11 |  | Screws Ø3x12 | 4 |
| 12 |  | Door Magnet | 2 |
| 13 |  | Screws Ø3.5x15 | 6 |
| 14 |  | Angle Bracket | 4 |
| 15 |  | Screws Ø3.5x12 | 16 |
| |  | Not Included | |

STEP : 1



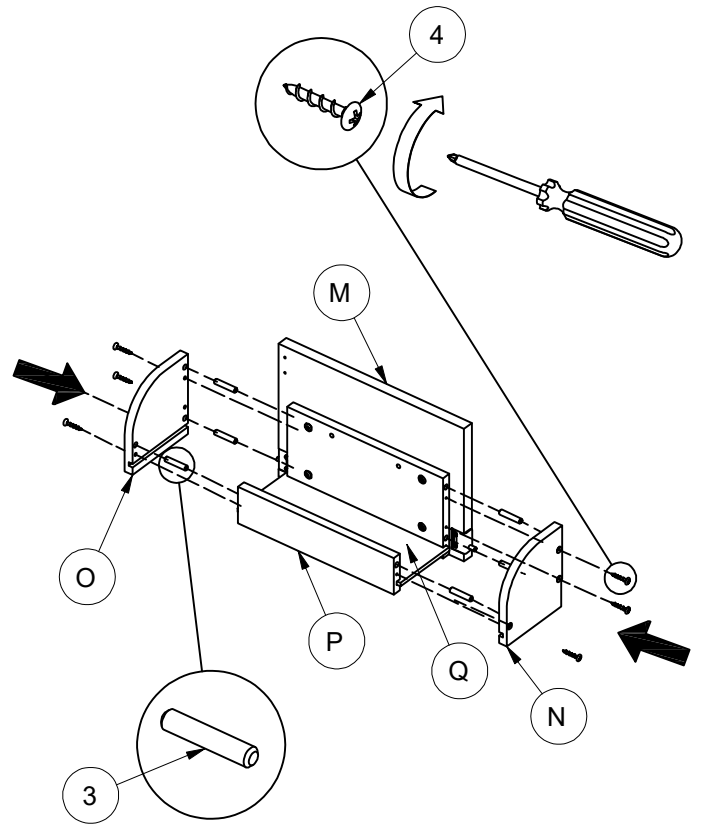
| No | Hardware | Q'ty |
|----|----------------|------|
| 2 | Cam lock Screw | 20 |

STEP :2



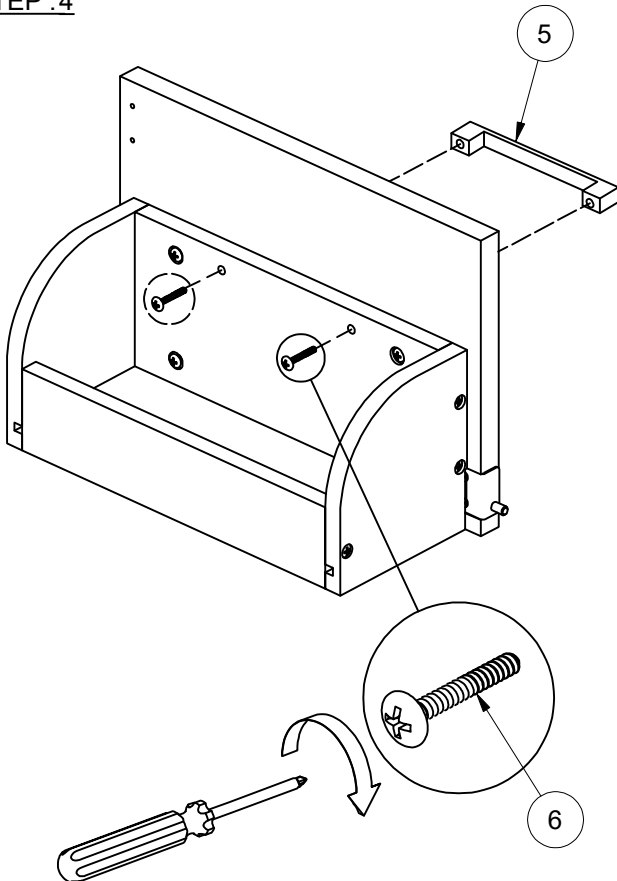
| No | Hardware | Q'ty |
|----|--------------|------|
| 12 | Door Magnet | 2 |
| 13 | Srews 3.5x15 | 4 |

STEP :3



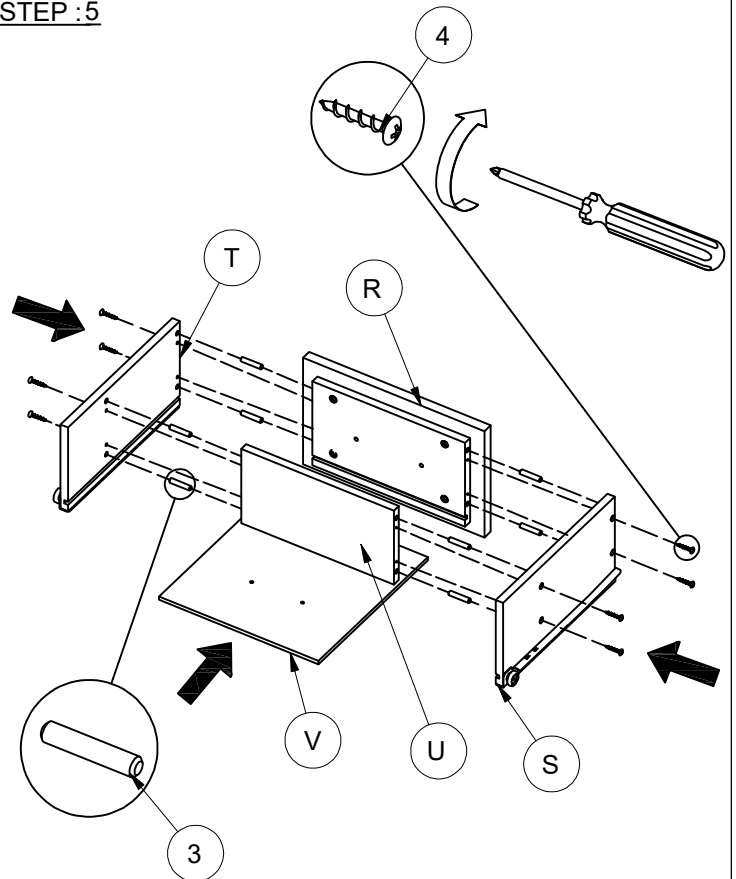
| No | Hardware | Q'ty |
|----|------------|------|
| 3 | Wooden | 6 |
| 4 | Srews 4x25 | 6 |

STEP :4



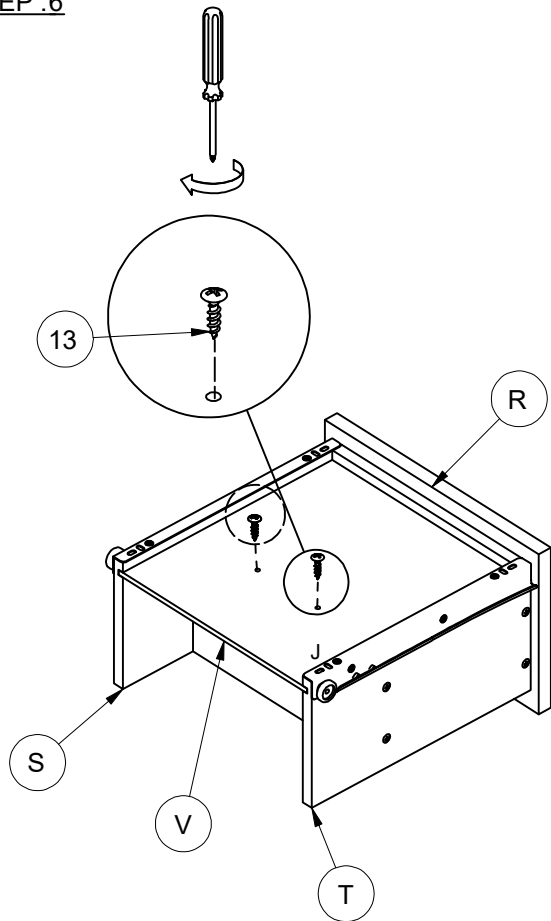
| No | Hardware | Q'ty |
|----|------------|------|
| 5 | Handles | 1 |
| 6 | Srews 4x30 | 2 |

STEP :5



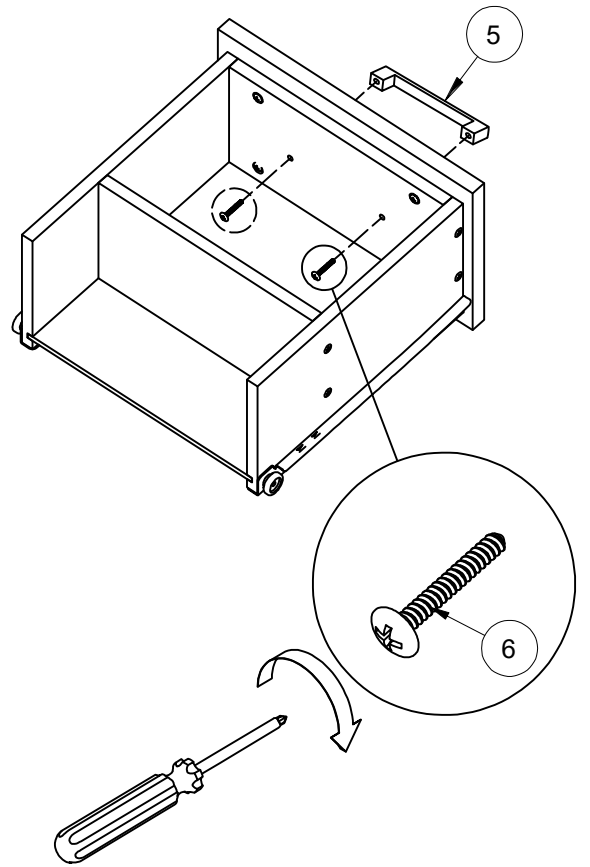
| No | Hardware | Q'ty |
|----|------------|------|
| 3 | Wooden | 8 |
| 4 | Srews 4x25 | 8 |

STEP :6



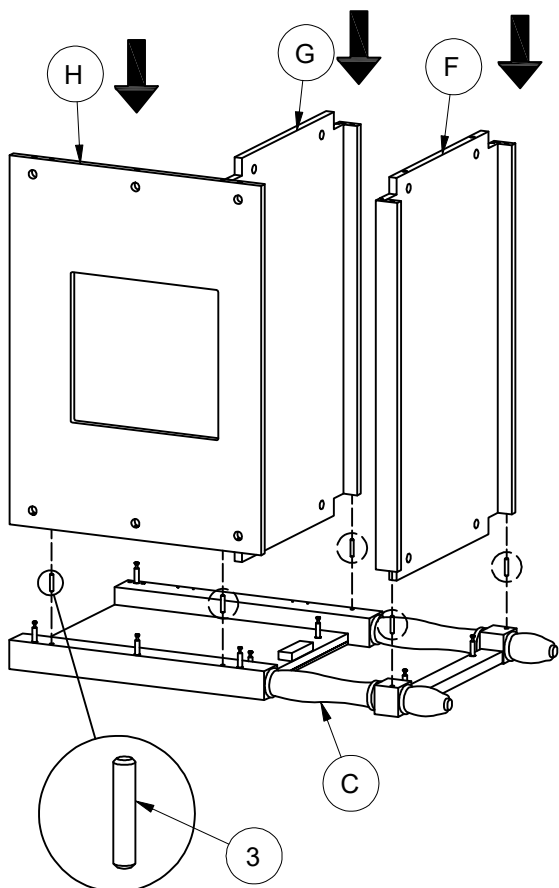
| No | Hardware | Q'ty |
|----|--------------|------|
| 13 | Srews 3.5x15 | 2 |

STEP :7



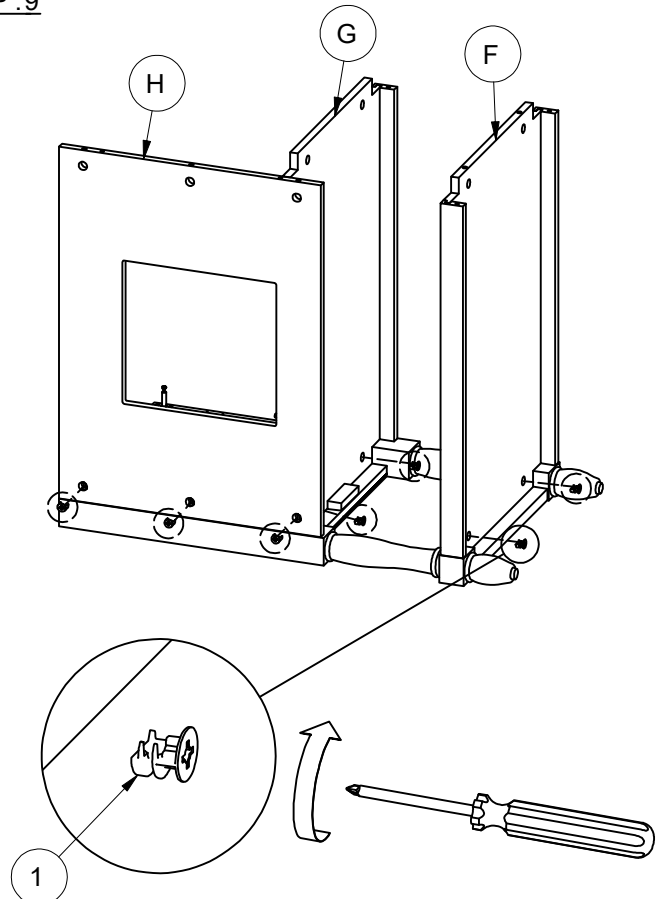
| No | Hardware | Q'ty |
|----|------------|------|
| 5 | Handles | 1 |
| 6 | Srews 4x30 | 2 |

STEP :8



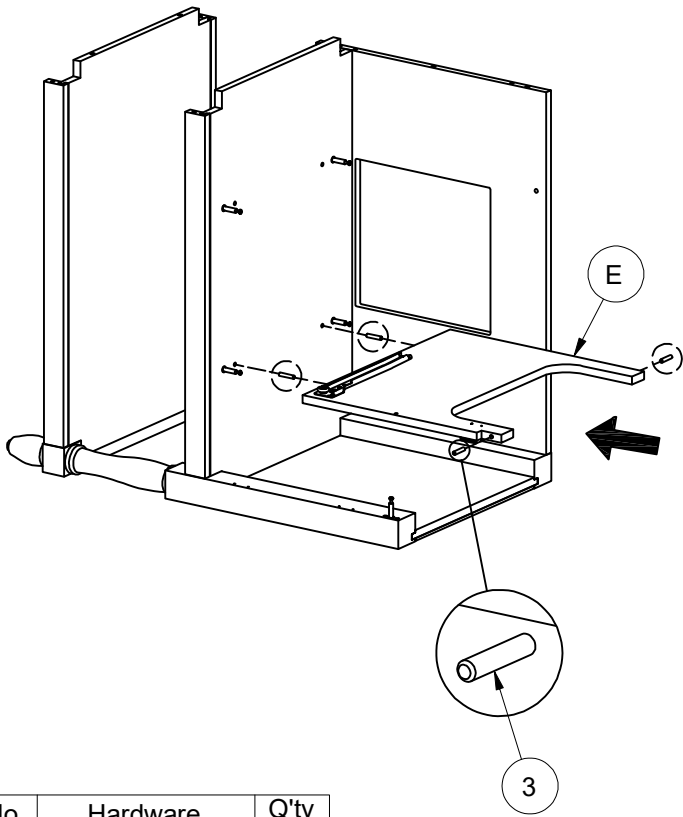
| No | Hardware | Q'ty |
|----|----------|------|
| 3 | Wooden | 5 |

STEP :9



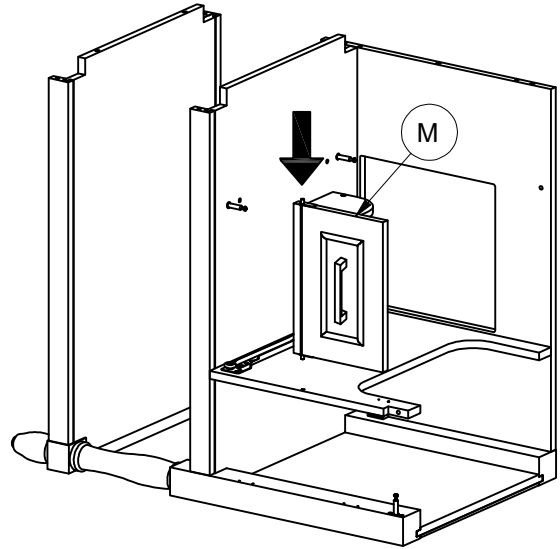
| No | Hardware | Q'ty |
|----|----------|------|
| 1 | Cam Lock | 7 |

STEP :10

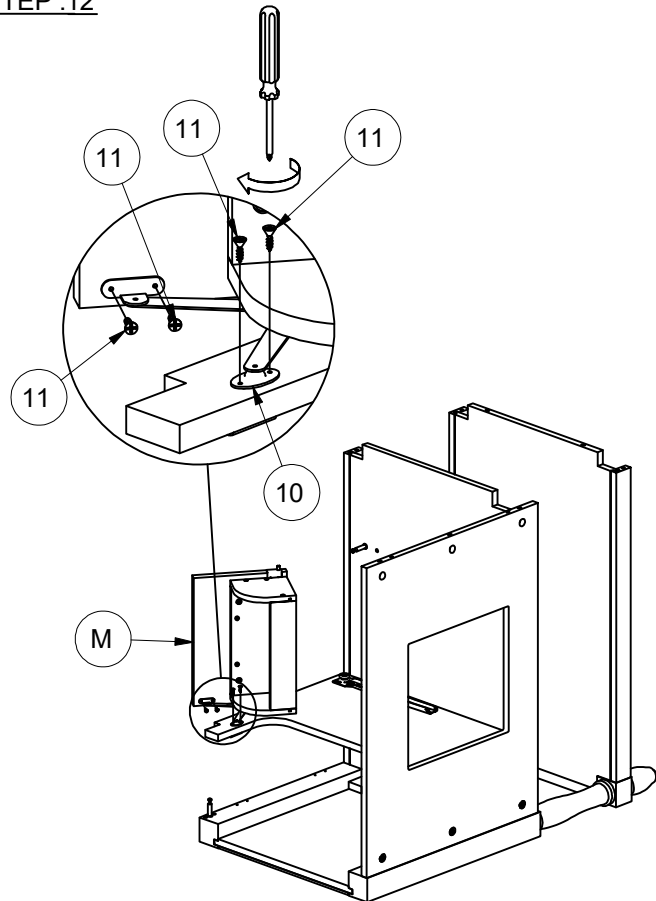


| No | Hardware | Q'ty |
|----|----------|------|
| 3 | Wooden | 4 |

STEP :11

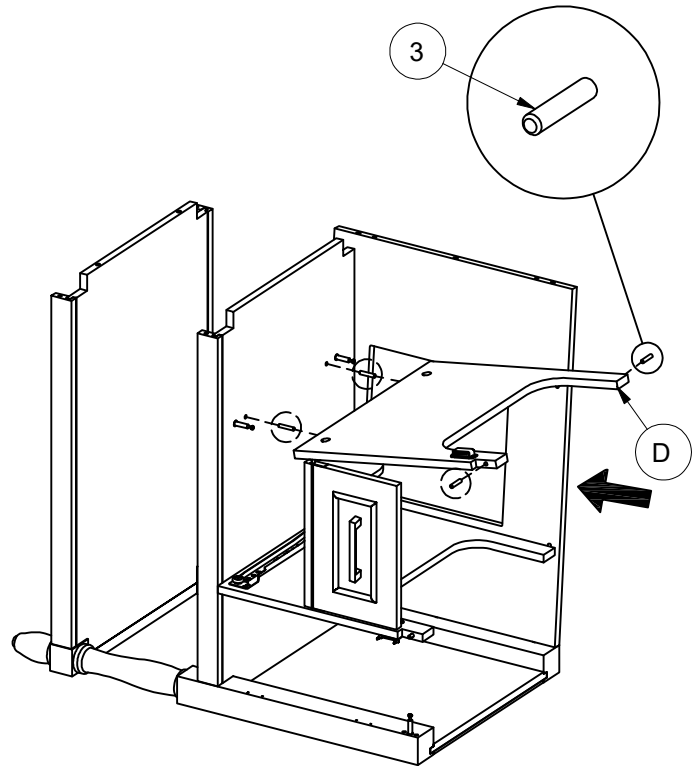


STEP :12



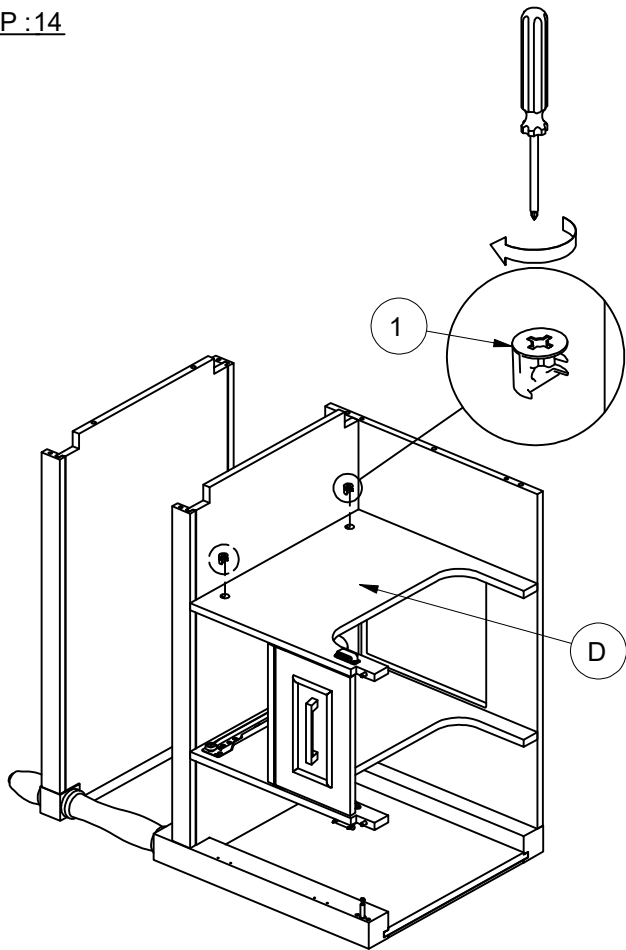
| No | Hardware | Q'ty |
|----|------------|------|
| 10 | Flap Stay | 1 |
| 11 | Srews 3x12 | 4 |

STEP :13



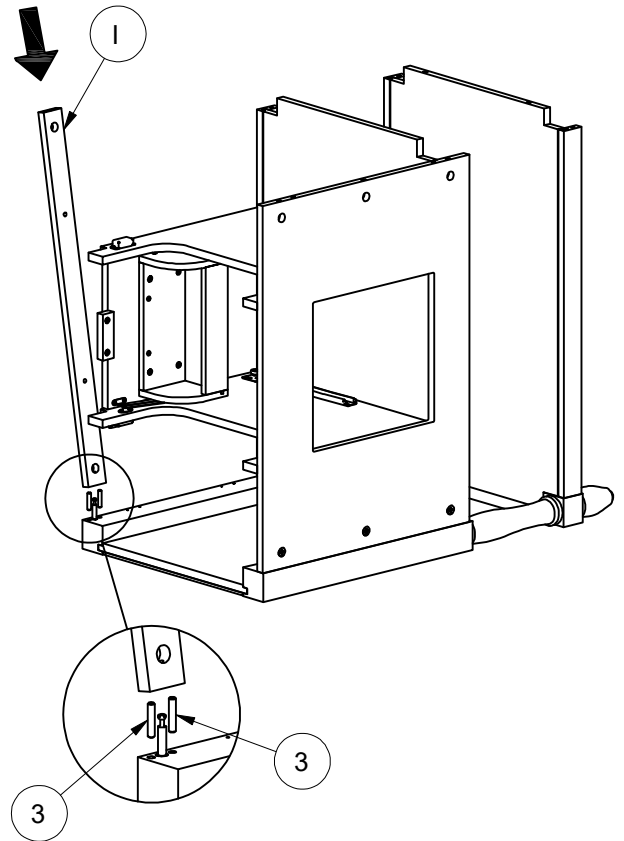
| No | Hardware | Q'ty |
|----|----------|------|
| 3 | Wooden | 4 |

STEP :14



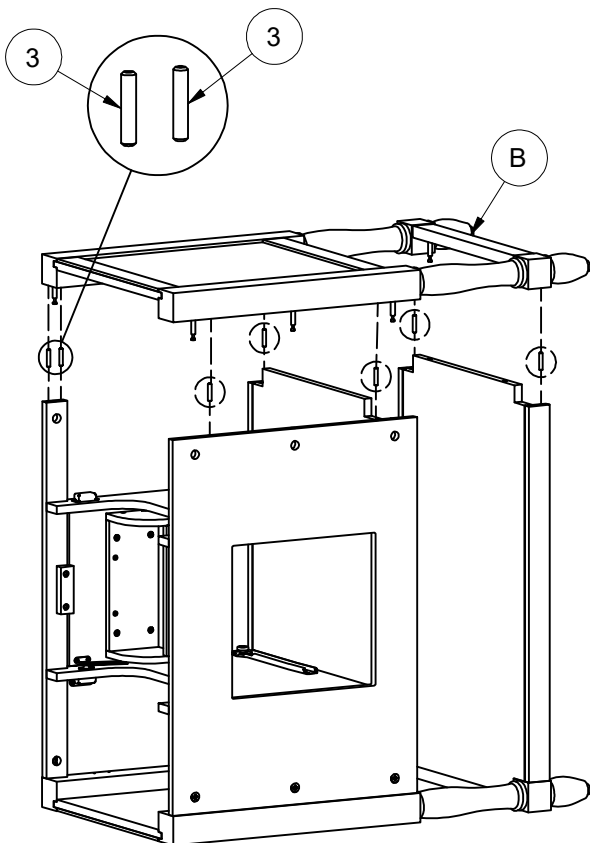
| No | Hardware | Q'ty |
|----|----------|------|
| 1 | Cam Lock | 2 |

STEP :15



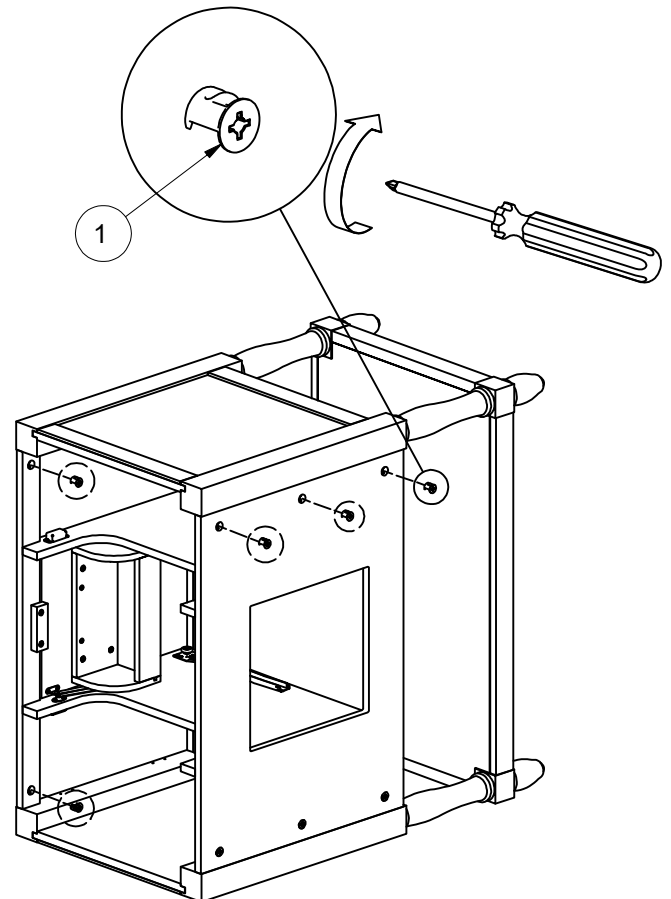
| No | Hardware | Q'ty |
|----|----------|------|
| 3 | Wooden | 2 |

STEP :16



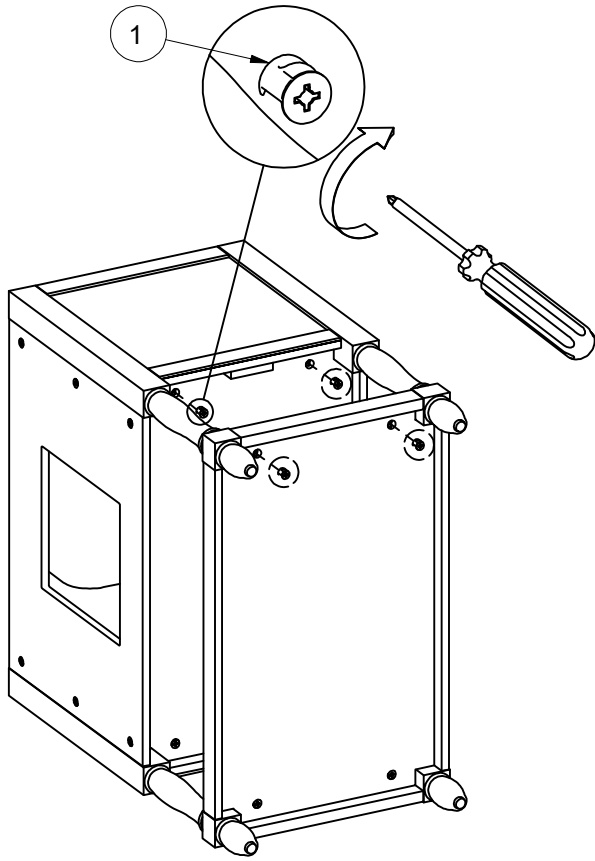
| No | Hardware | Q'ty |
|----|----------|------|
| 3 | Wooden | 7 |

STEP :17



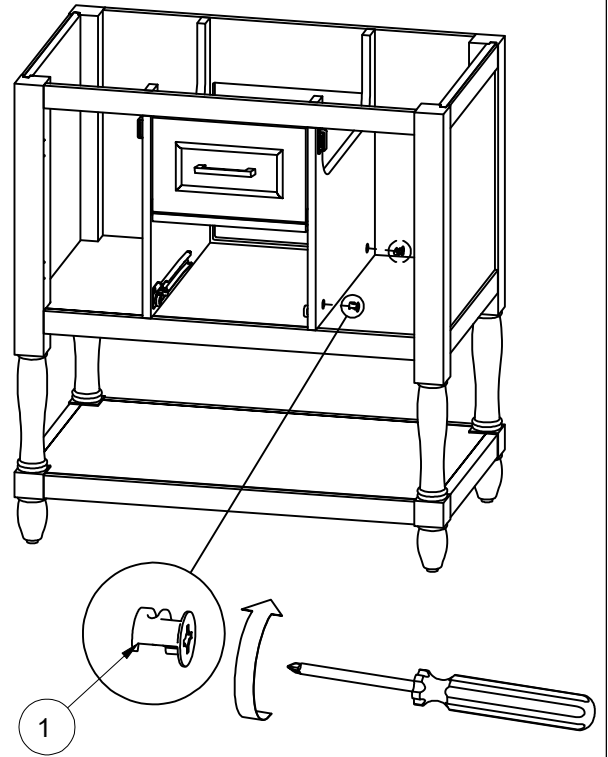
| No | Hardware | Q'ty |
|----|----------|------|
| 1 | Cam Lock | 5 |

STEP :18



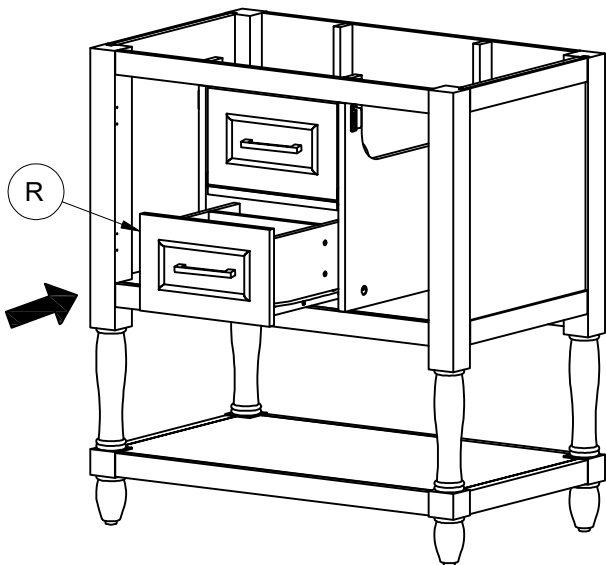
| No | Hardware | Q'ty |
|----|----------|------|
| 1 | Cam Lock | 4 |

STEP :19

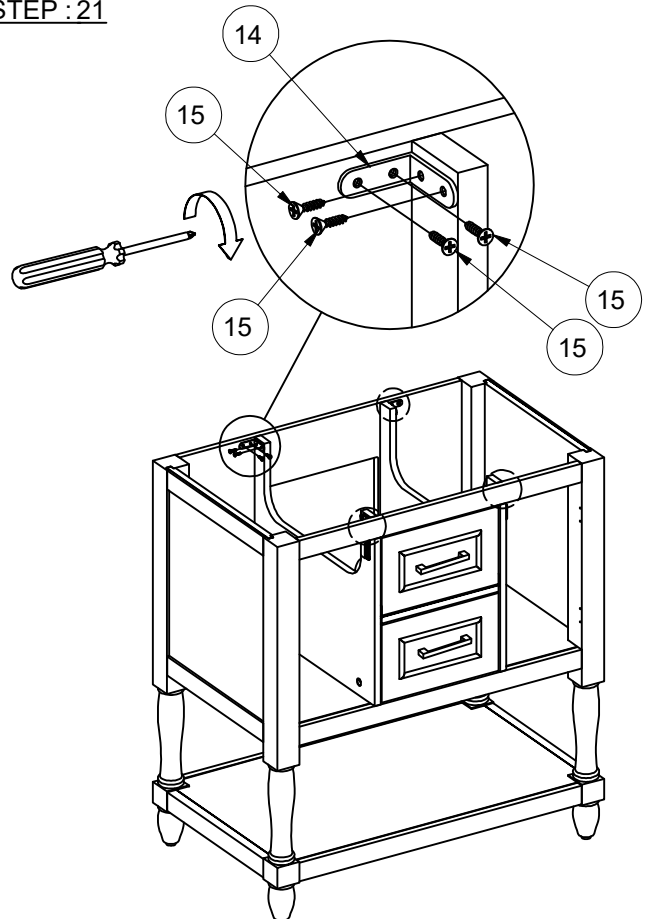


| No | Hardware | Q'ty |
|----|----------|------|
| 1 | Cam Lock | 2 |

STEP : 20

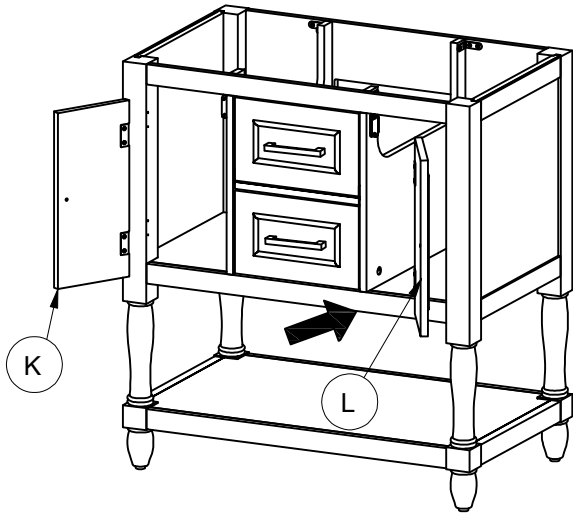


STEP :21

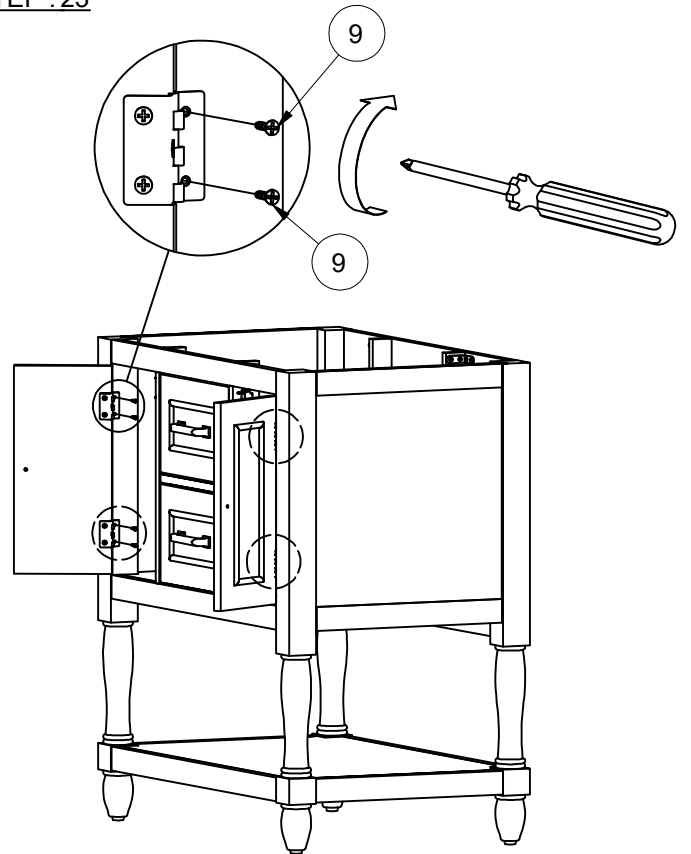


| No | Hardware | Q'ty |
|----|---------------|------|
| 14 | Angle Bracket | 4 |
| 15 | Srews 3.5x12 | 16 |

STEP : 22

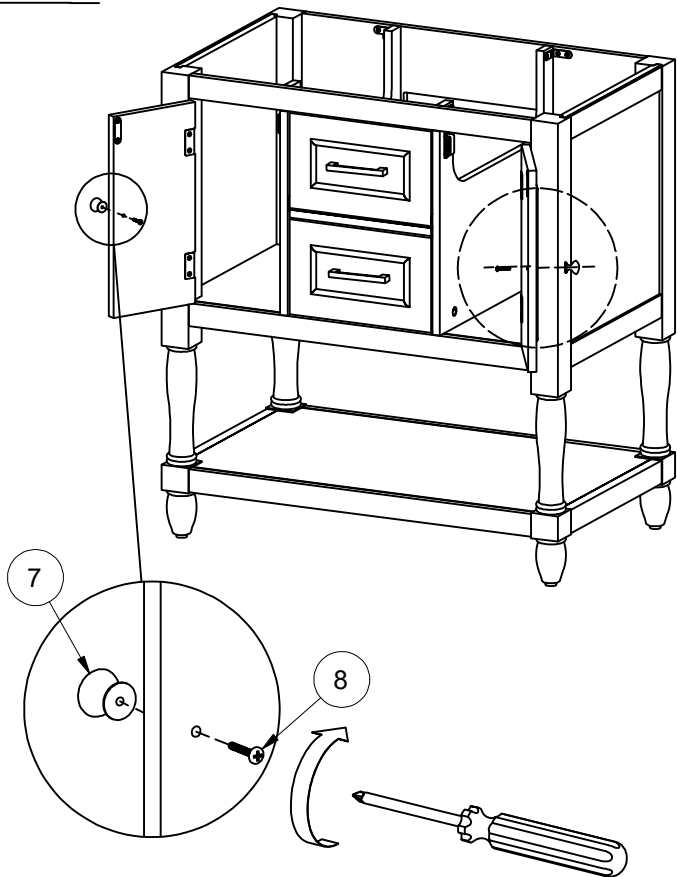


STEP : 23

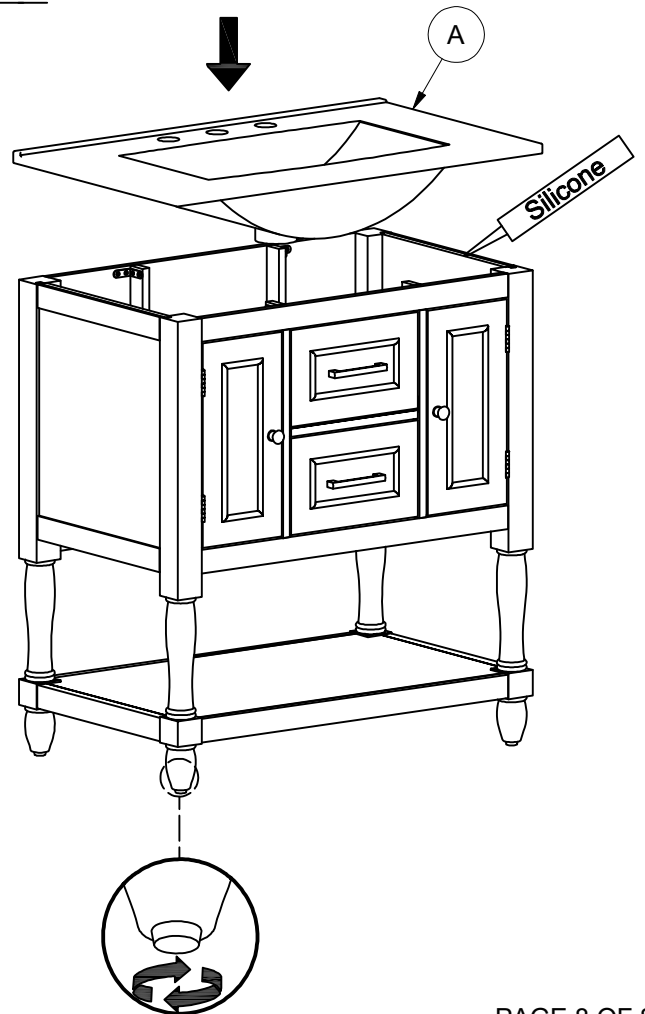


| No | Hardware | Q'ty |
|----|------------|------|
| 9 | Srews 3x15 | 8 |

STEP : 24



STEP : 25



| No | Hardware | Q'ty |
|----|------------|------|
| 7 | Knob | 2 |
| 8 | Srews 4x20 | 2 |