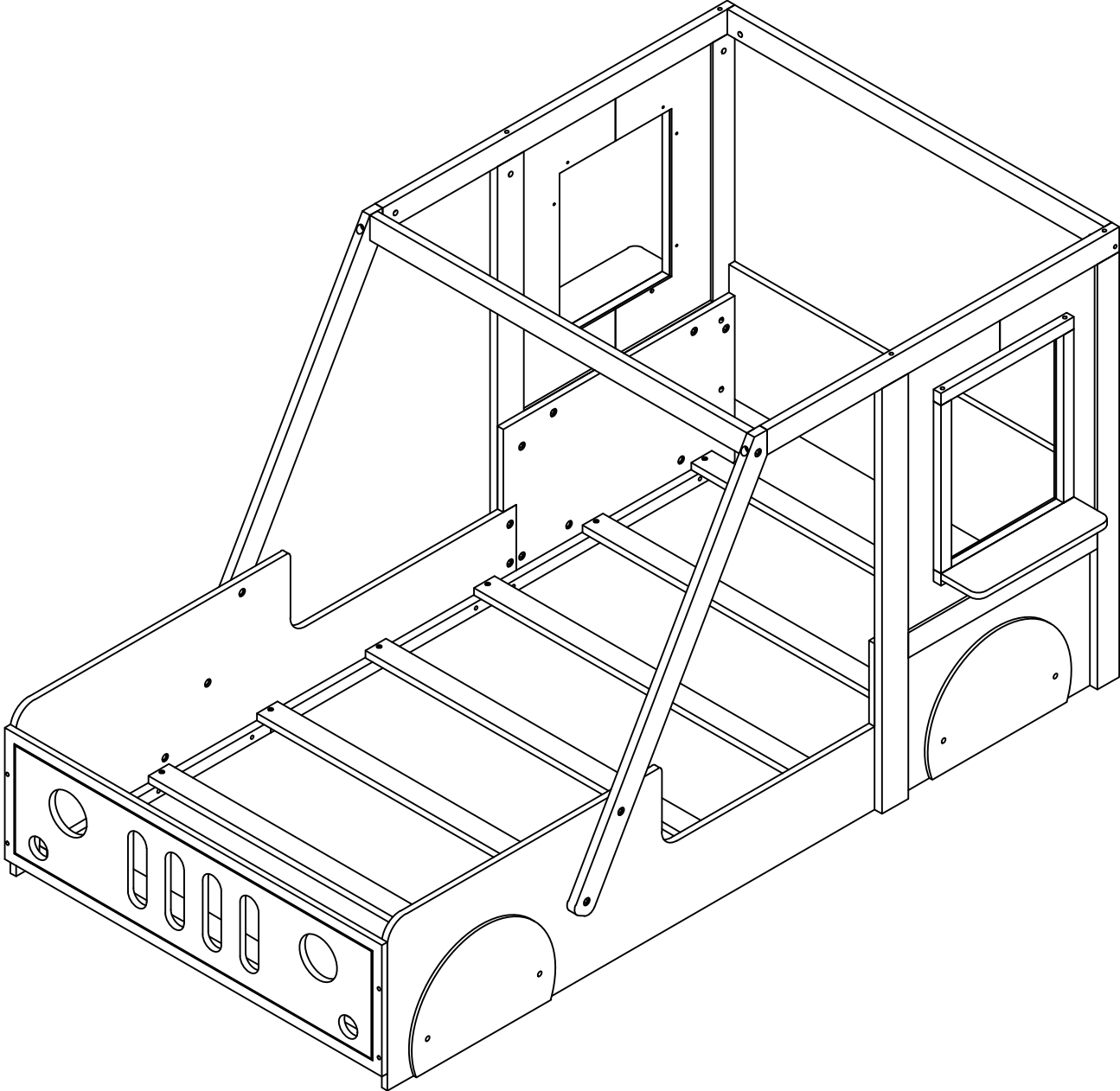
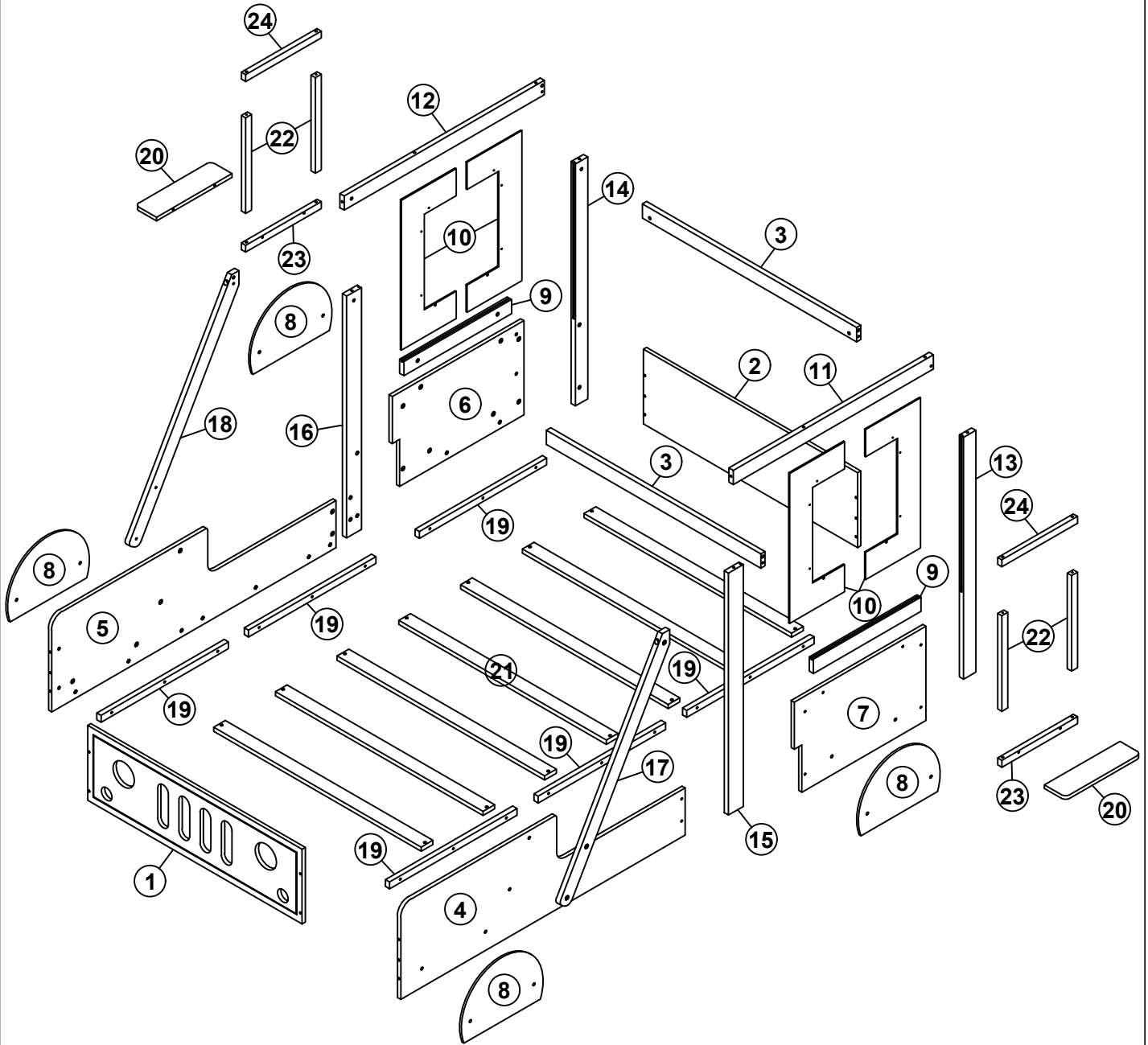


ASSEMBLY INSTRUCTIONS

TWIN CAR BED







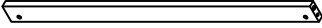
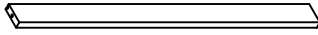
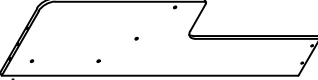
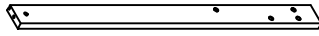


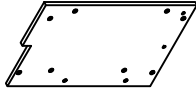
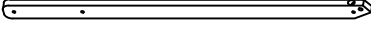


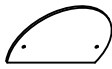
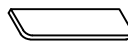

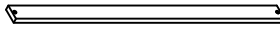
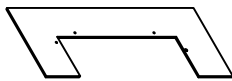
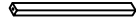

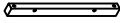
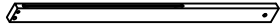
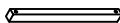
ASSEMBLY INSTRUCTIONS



ASSEMBLY INSTRUCTIONS










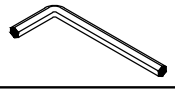




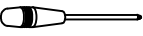
PARTS LIST

WF312561

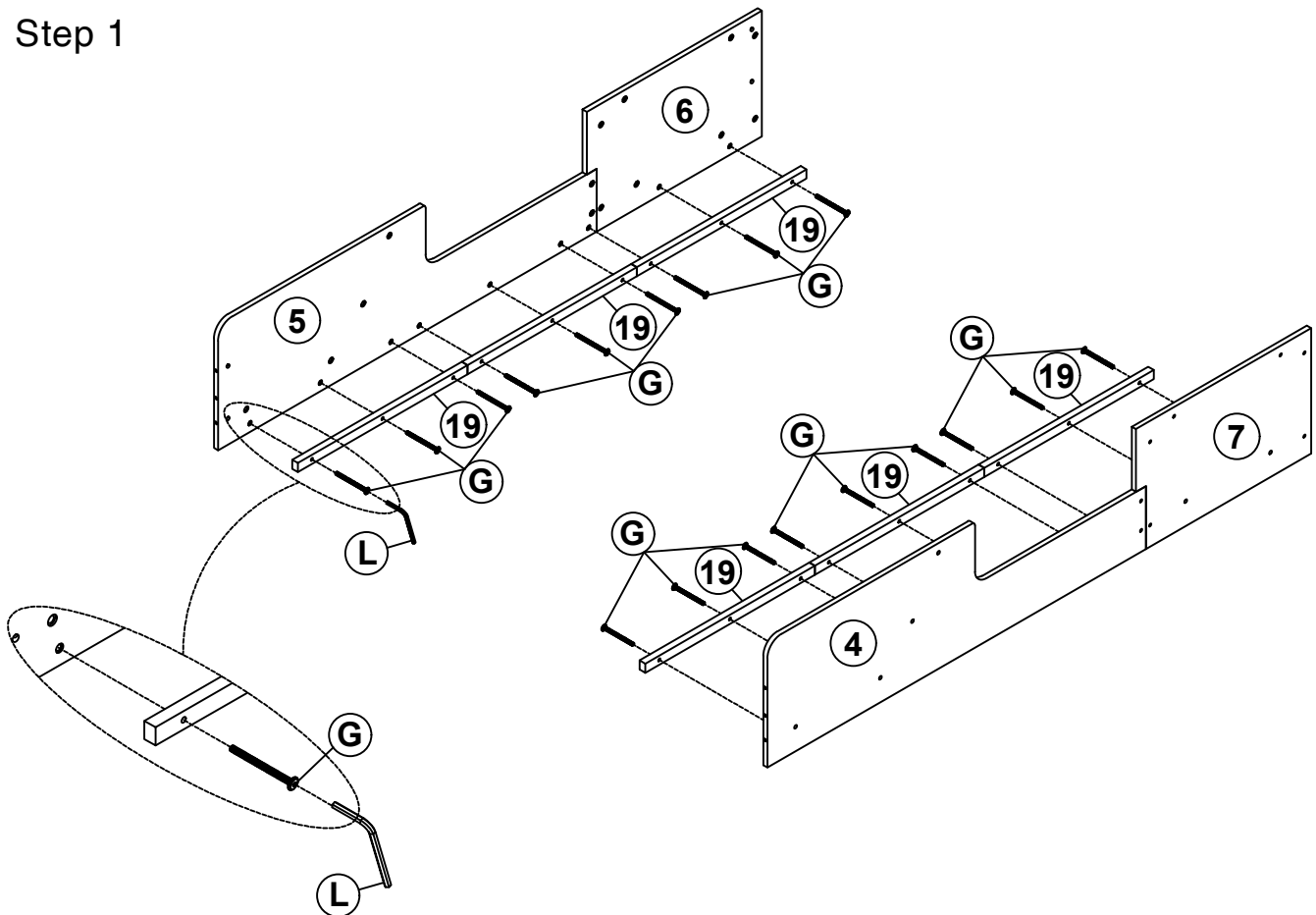
1	Headboard frame 	1pc	13	Side window bar 	1pc
2	Headboard frame 	1pc	14	Side window bar 	1pc
3	Headboard panel 	2pcs	15	Side window bar 	1pc
4	Side rail panels 	1pc	16	Side window bar 	1pc
5	Side rail panels 	1pc	17	Frame side rails 	1pc
6	Side rail panels 	1pc	18	Frame side rails 	1pc
7	Side rail panels 	1pc	19	Support side rails 	6pcs
8	Wheel panels 	4pcs	20	Shelf panels 	2pcs
9	Support window bar 	2pcs	21	Slats 	7pcs
10	Window panels 	4pcs	22	Window frame 	4pcs
11	Support window bar 	1pc	23	Window frame 	2pcs
12	Support window bar 	1pc	24	Window frame 	2pcs


ASSEMBLY INSTRUCTIONS

HARDWARE LIST (WF312561)

A	Ø4x30		14PCS	H	1/4x25		4PCS
B	Ø4x20		12PCS	I	1/4x15		8PCS
C	1/4x110		4PCS	J	Ø10x40		4PCS
D	1/4x90		2PCS	K	Ø8x30		4PCS
E	1/4x75		4PCS	L	4x58		1PC
F	1/4x65		12PCS	M	6.5x60		8PCS
G	1/4x30		18PCS	N	1/4x25		16PCS
					Phillip head screw Not include		

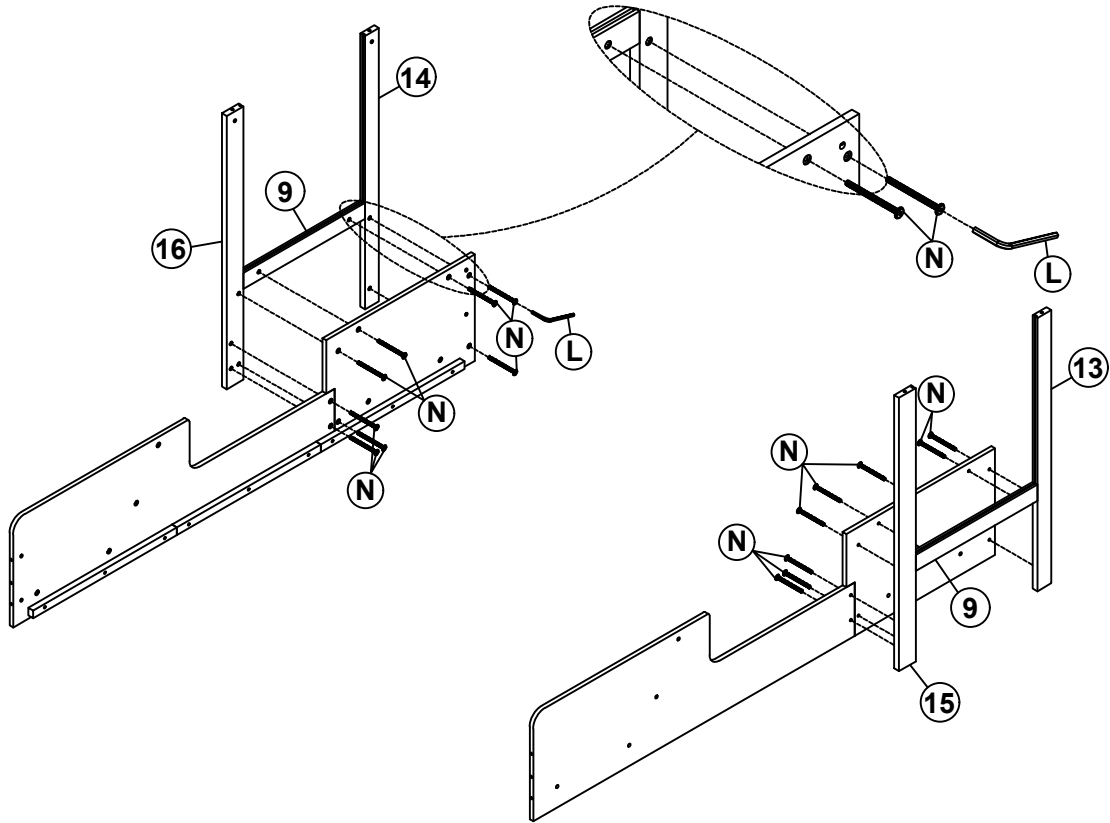
Step 1



L	4x58		1PC	G	1/4x30		18PCS
----------	------	---	-----	----------	--------	---	-------

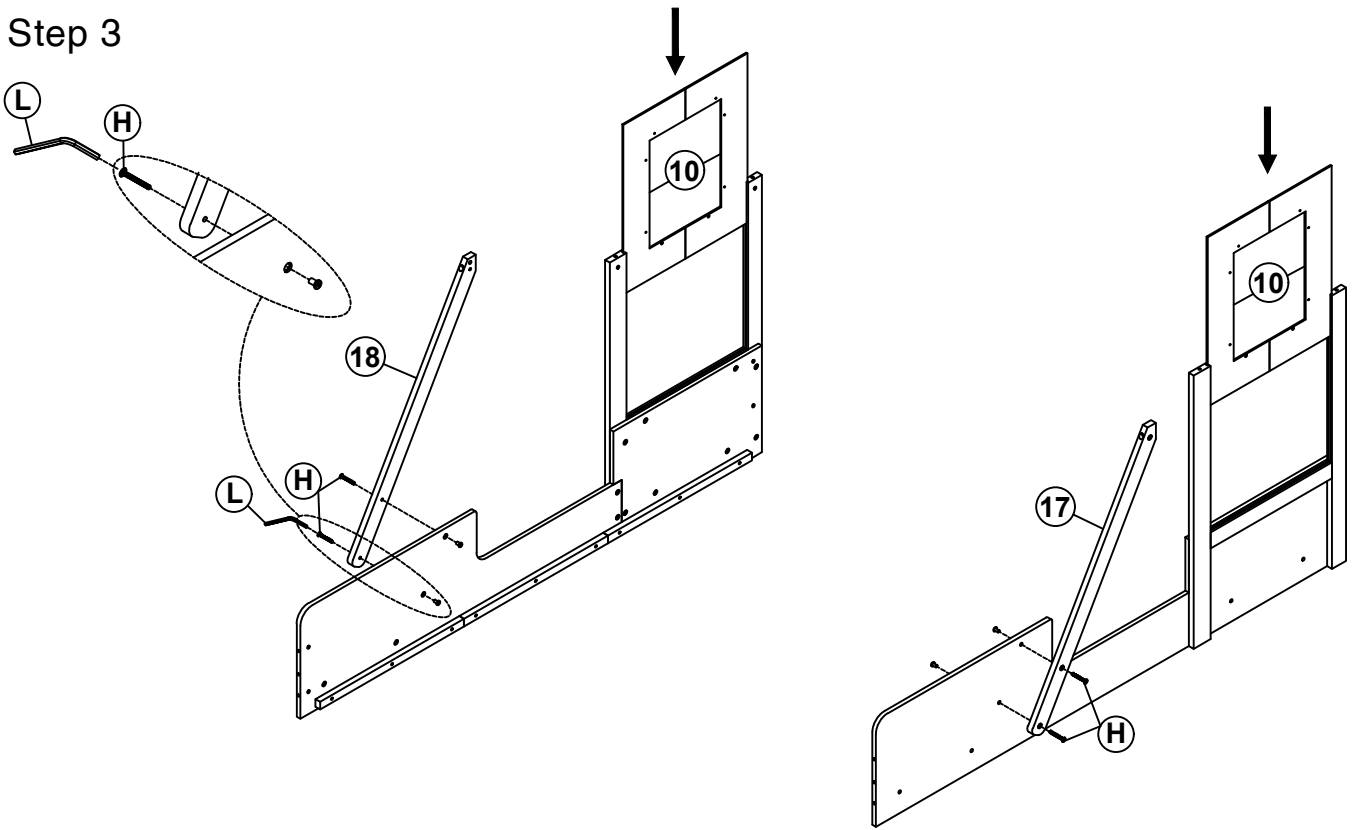
ASSEMBLY INSTRUCTIONS

Step 2



L	4x58		1PC	N	1/4x25		16PCS
----------	------	--	-----	----------	--------	--	-------

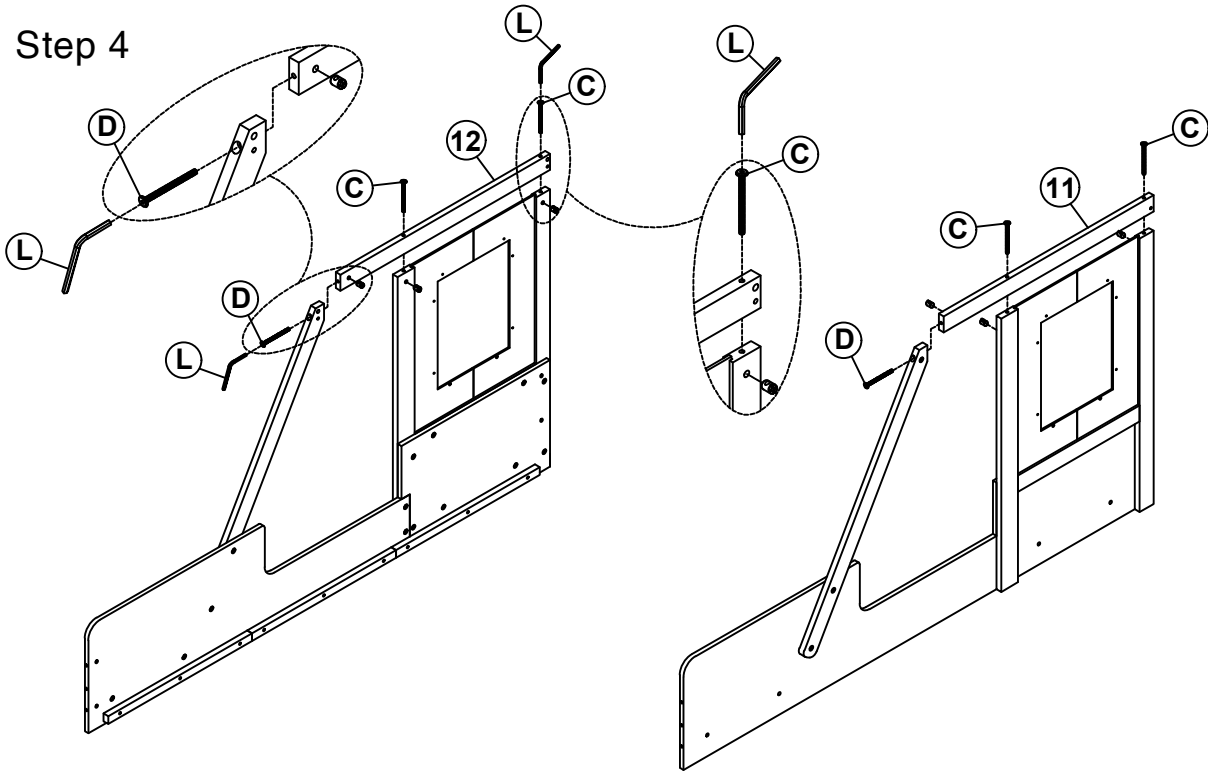
Step 3



H	1/4x25		4PCS	L	4x58		1PC
----------	--------	--	------	----------	------	--	-----

ASSEMBLY INSTRUCTIONS

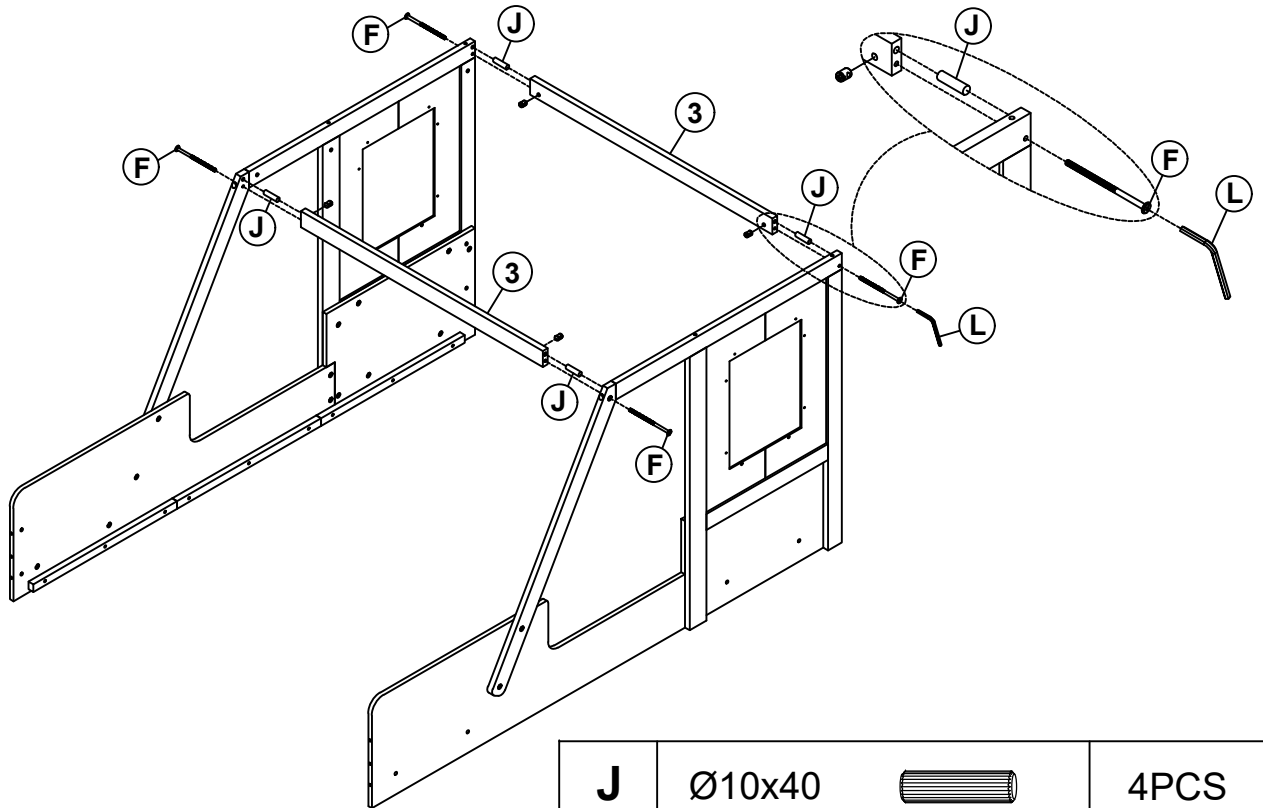
Step 4



C	1/4x110		4PCS
----------	---------	--	------

L	4x58		1PC	D	1/4x90		2PCS
----------	------	--	-----	----------	--------	--	------

Step 5

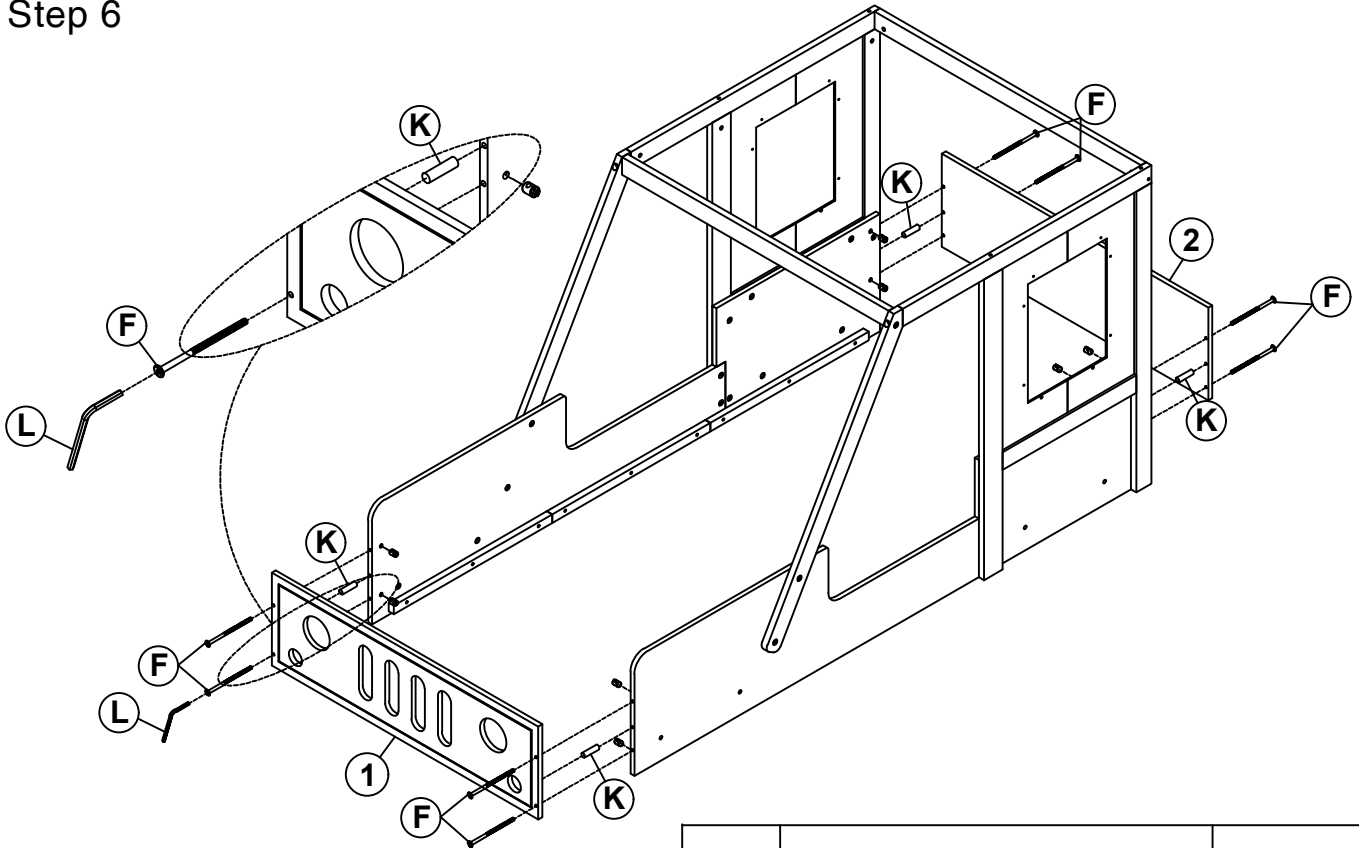



J	Ø10x40		4PCS
----------	--------	--	------

L	4x58		1PC	F	1/4x65		4PCS
----------	------	--	-----	----------	--------	--	------

ASSEMBLY INSTRUCTIONS

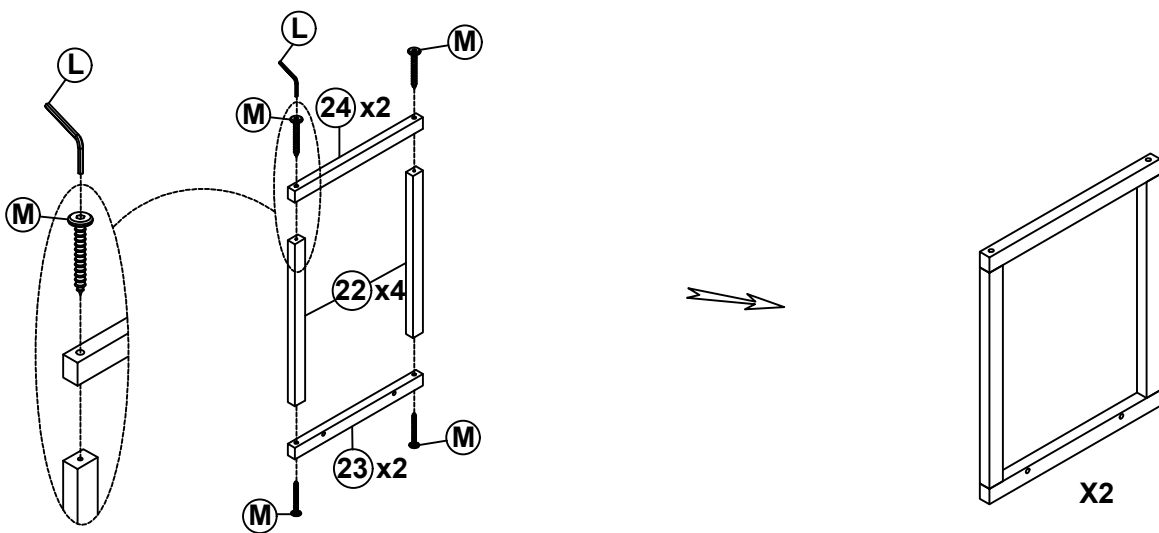
Step 6





K	Ø8x30		4PCS
----------	-------	---	------

L	4x58		1PC	F	1/4x65		8PCS
----------	------	---	-----	----------	--------	---	------

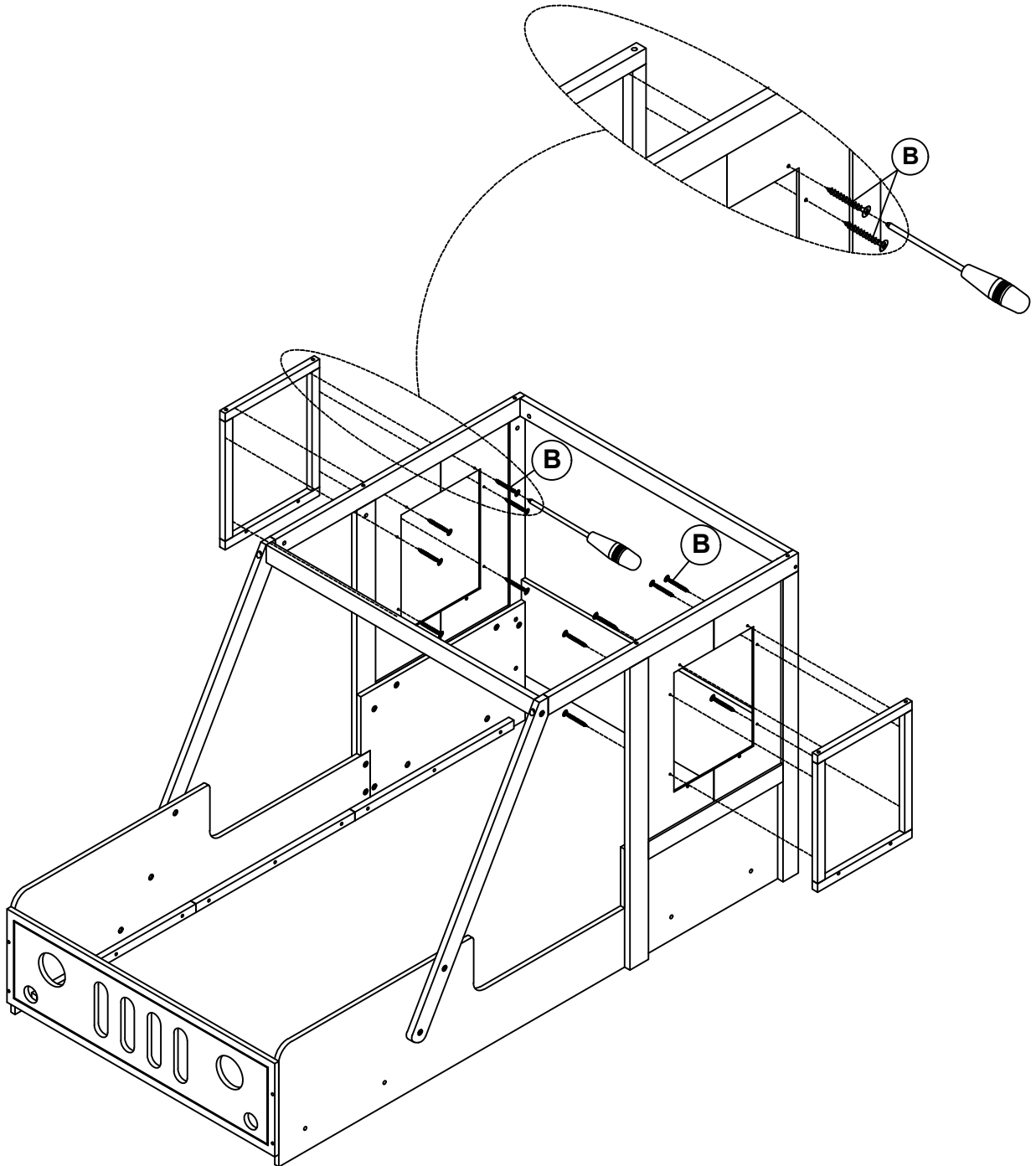
Step 7



M	6.5x60		8PCS	L	4x58		1PC
----------	--------	---	------	----------	------	---	-----

ASSEMBLY INSTRUCTIONS

Step 8



B

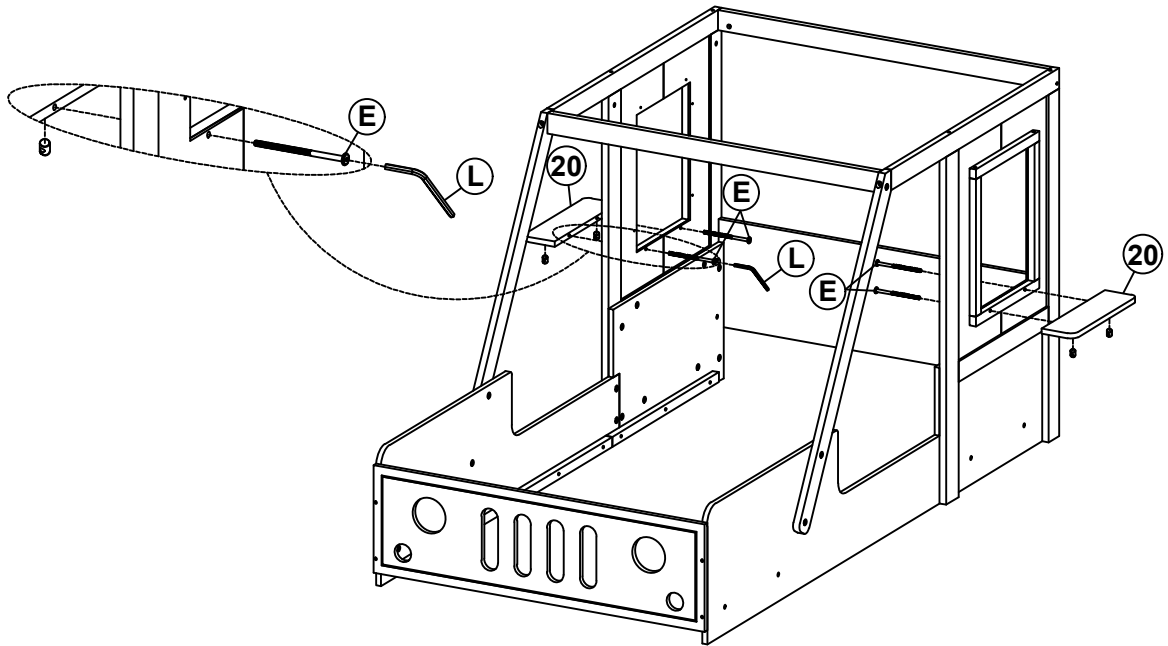
Ø4x20





12PCS

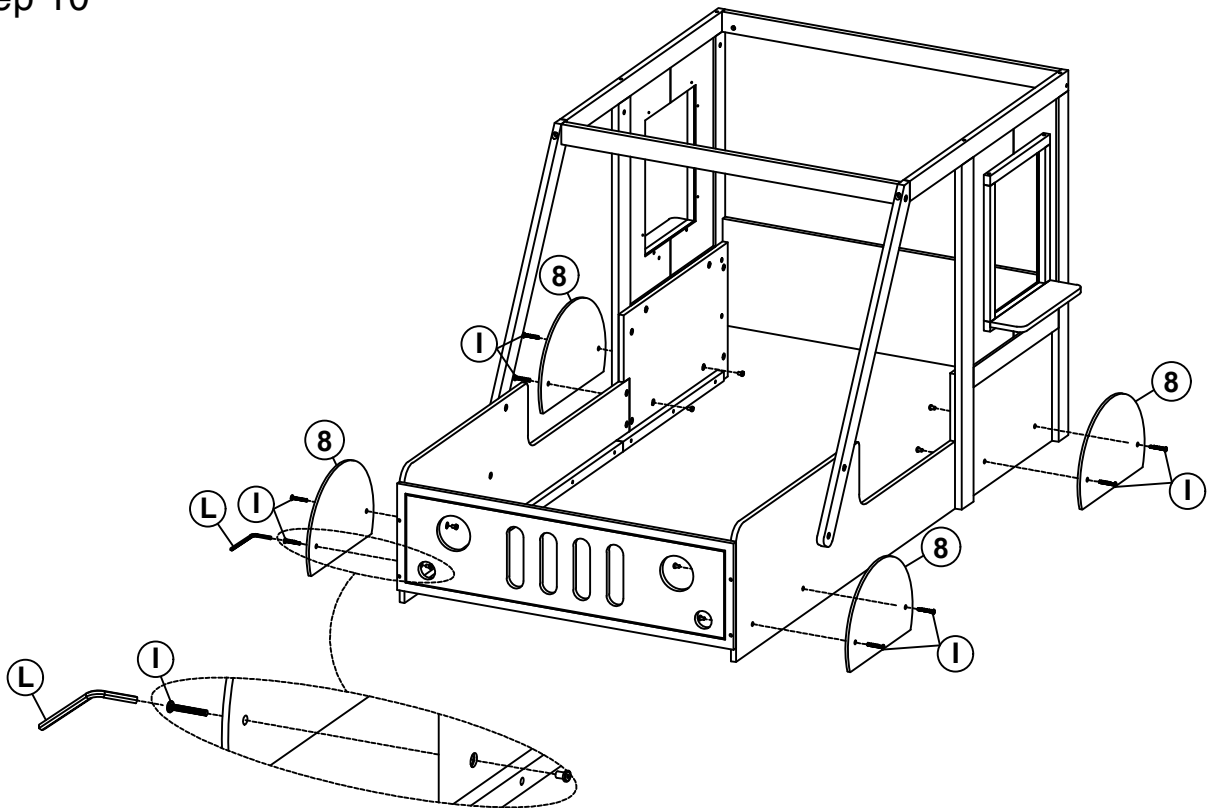
ASSEMBLY INSTRUCTIONS


Step 9



L	4x58		1PC	E	1/4x75		4PCS
----------	------	--	-----	----------	--------	--	------

Step 10

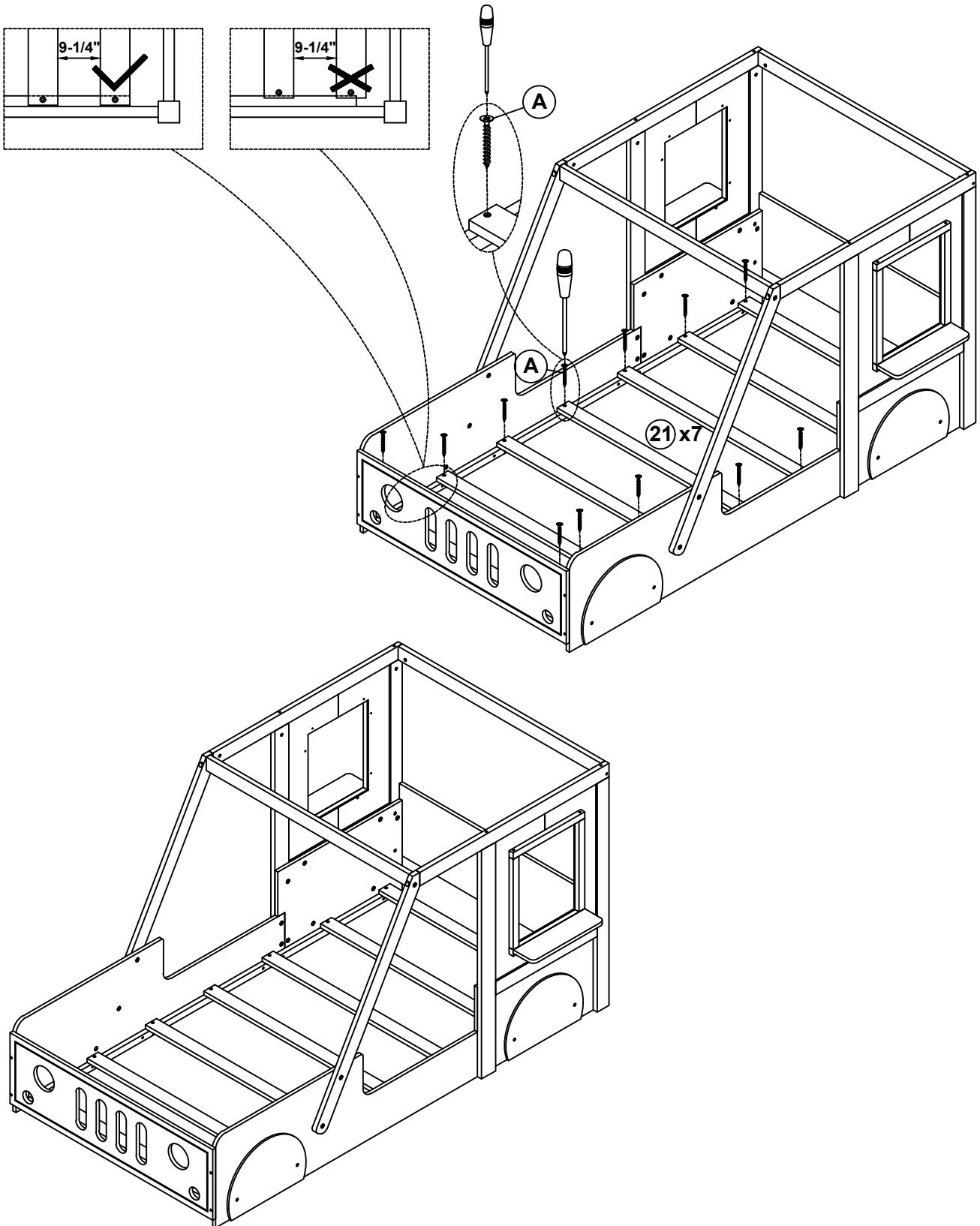


I	1/4x15		8PCS	L	4x58		1PC
----------	--------	---	------	----------	------	---	-----

ASSEMBLY INSTRUCTIONS

Step 11

First attach 2pcs part 21 to the front and end of the frame, between side rails. Then attach the remaining part 21 equidistantly between side rails.



A

Ø4x30



14PCS