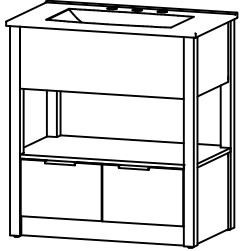


ASSEMBLY INSTRUCTIONS

ITEM # : WF311619AAP

Thank you for purchasing this quality Product. Be sure to check all packing material carefully for small parts, which may have come loose inside carton during shipment. identify and count all parts and compare with the parts list below.


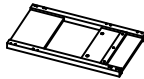
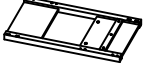



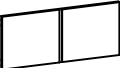





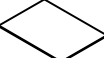




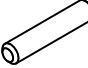



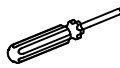
ASSEMBLY INSTRUCTION:

1. Remove hardware from box and sort by size.
2. Please check to see that all hardware and parts are present prior start of assembly.
3. Please follow attached instruction in the same sequence as numbered above fast and easy assembly.

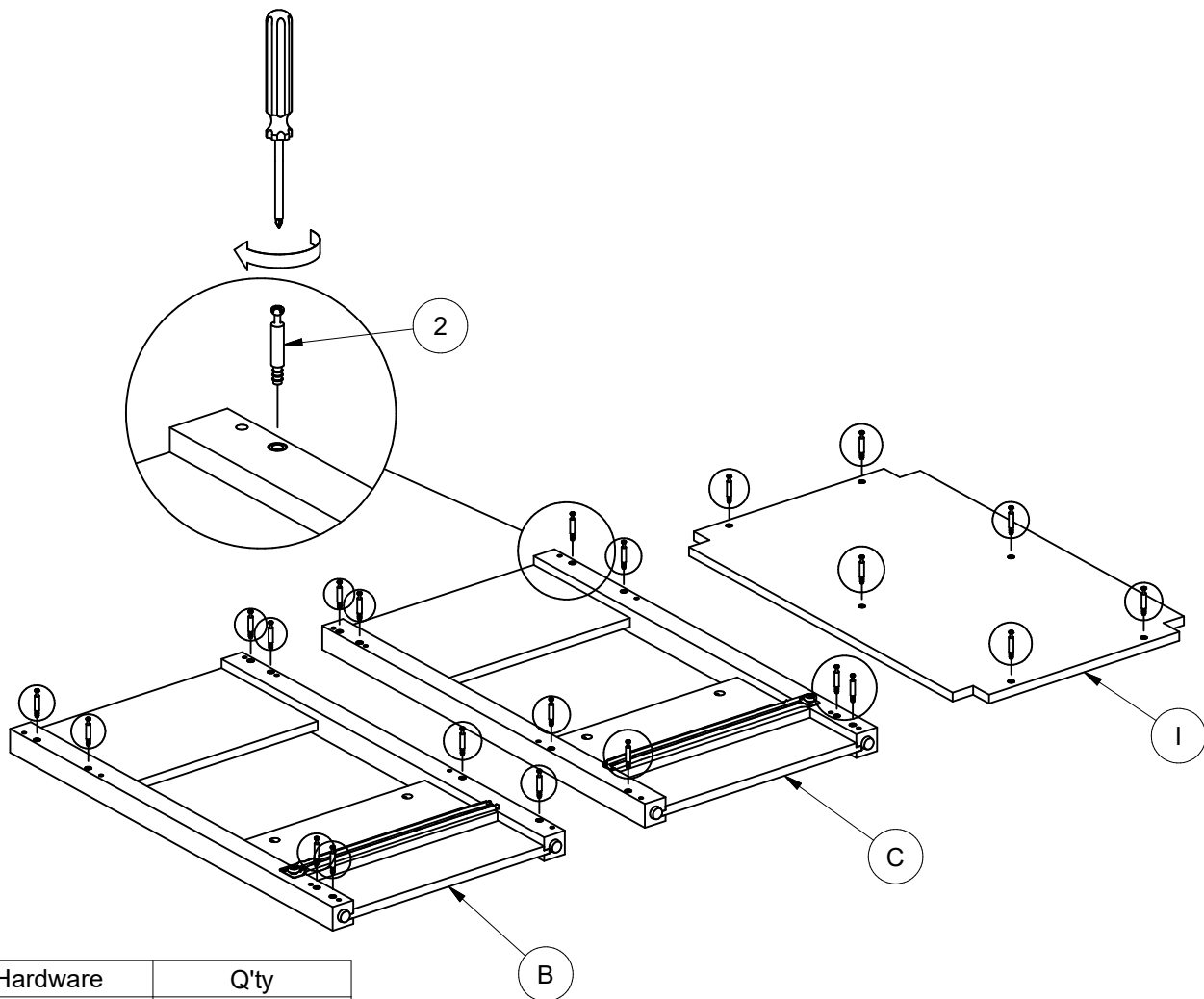
WARNING!

1. Don't attempt to repair or modify parts that are broken or defective. Please contact the store immediately.
2. This product is for home use only and not intended for commercial establishments.
3. Two persons are required for assembly.
4. Approximate assembly time 1/2 hours.
5. Component parts and fittings contained in the box. Please sort out all parts before you begin to assemble the item. This is to make sure you always use the correct part.
6. It is **STRONGLY RECOMMENDED** that you **ANCHOR** this product. Tying furniture can cause serious injuries and death. To prevent your furniture from tipping forward it is strongly recommended that you securely attach this product to a wall or other solid surface, using the anchor straps provided appropriate fixings.

No.	Component	Q'ty
A	 Sink	1
B	 Side Panel-Left	1
C	 Side Panel-Right	1
D	 Plinth	1
E	 Fake drawer	1
F	 Back Panel	1
G	 Back Panel	1
H	 Middle Panel	1
I	 Middle Panel	1
K	 Drawer Front	2
L	 Drawer Side	4
M	 Drawer Back	2
N	 Drawer Bottom	2

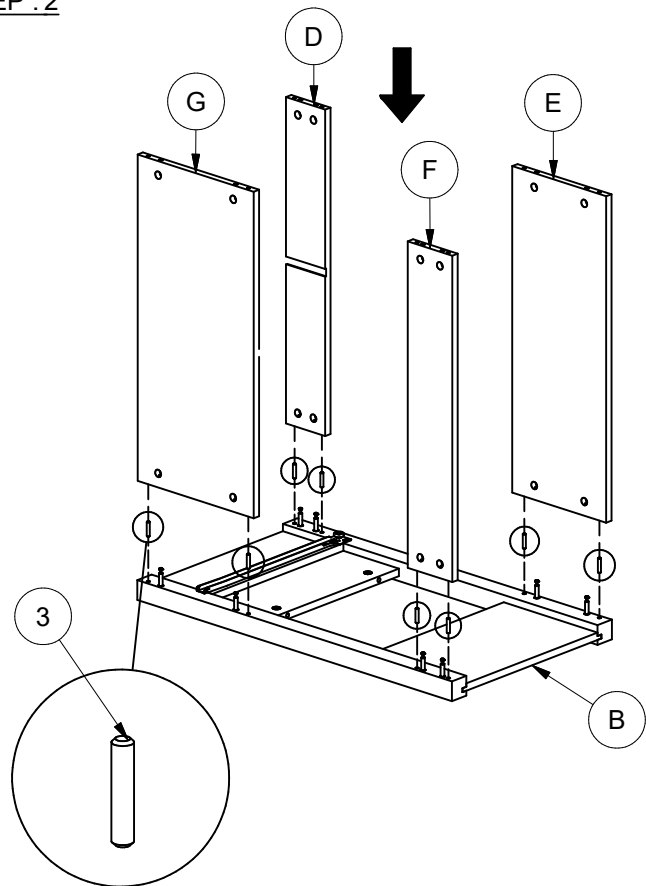
No.	Hardware	Q'ty
1	 Cam Lock	22
2	 Cam Lock Screw	22
3	 Wooden	32
4	 Screws $\varnothing 4 \times 25$	16
5	 Handles	2
6	 Screws $\varnothing 3 \times 12$	4
	 Not Included	

STEP :1



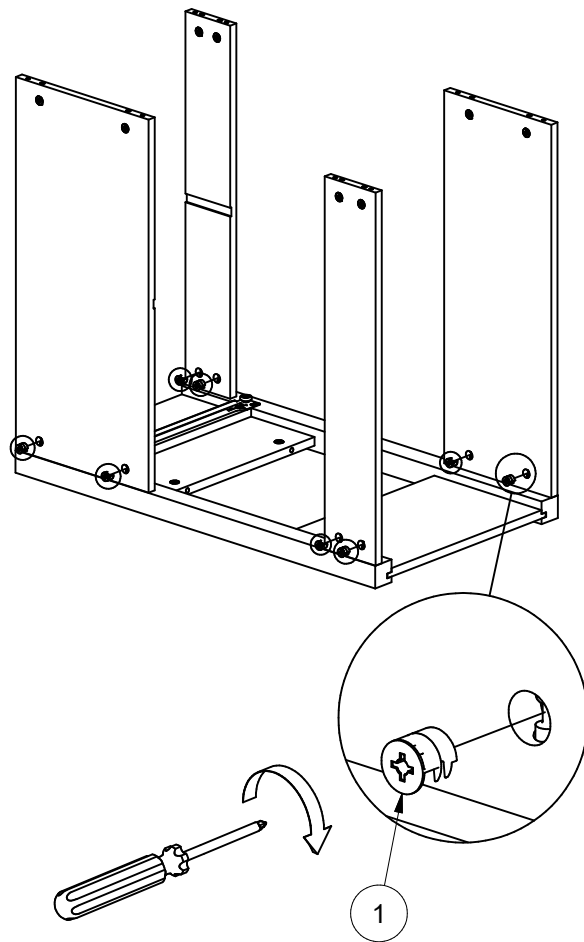
No.	Hardware	Q'ty
2	Cam lock screw	22

STEP :2



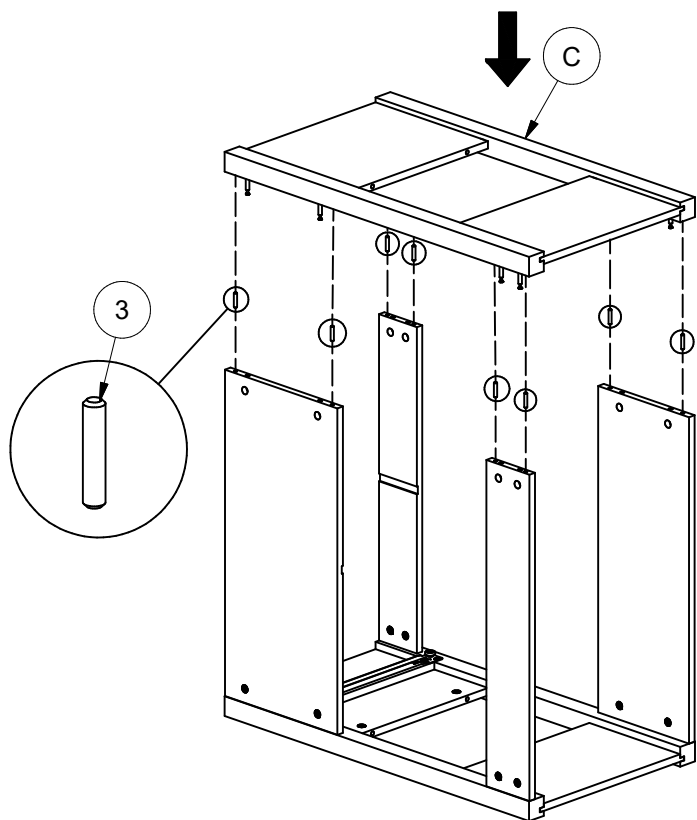
No.	Hardware	Q'ty
3	Wooden	8

STEP :3



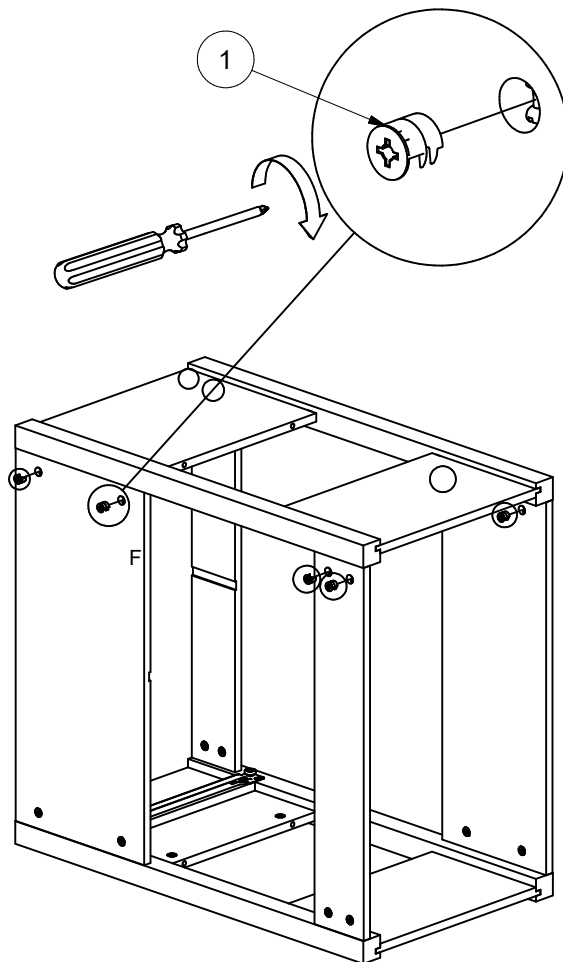
No.	Hardware	Q'ty
1	Cam lock	8

STEP : 4



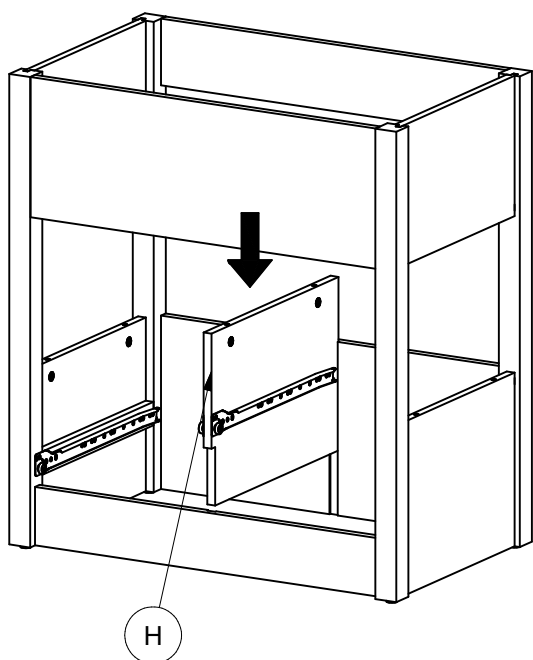
No.	Hardware	Q'ty
3	Wooden	8

STEP : 5

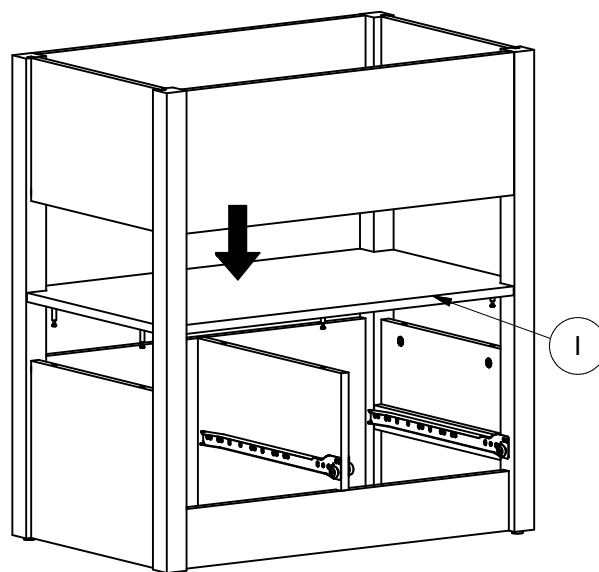


No.	Hardware	Q'ty
1	Cam lock	8

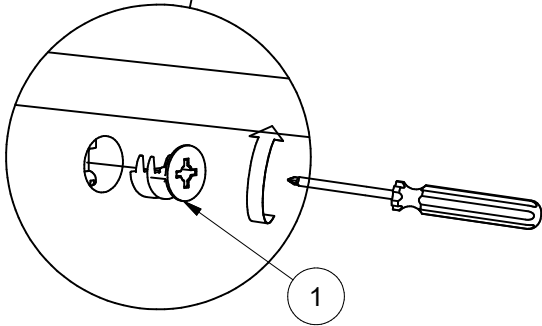
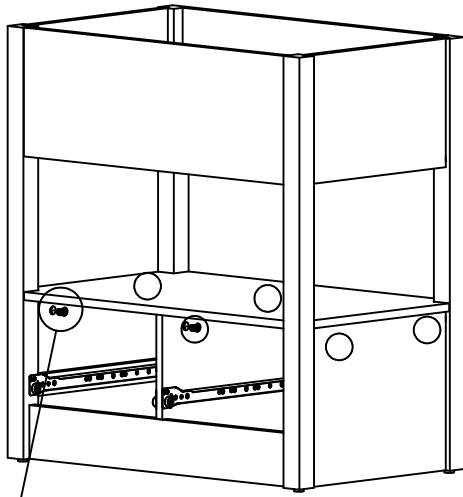
STEP : 6



STEP : 7



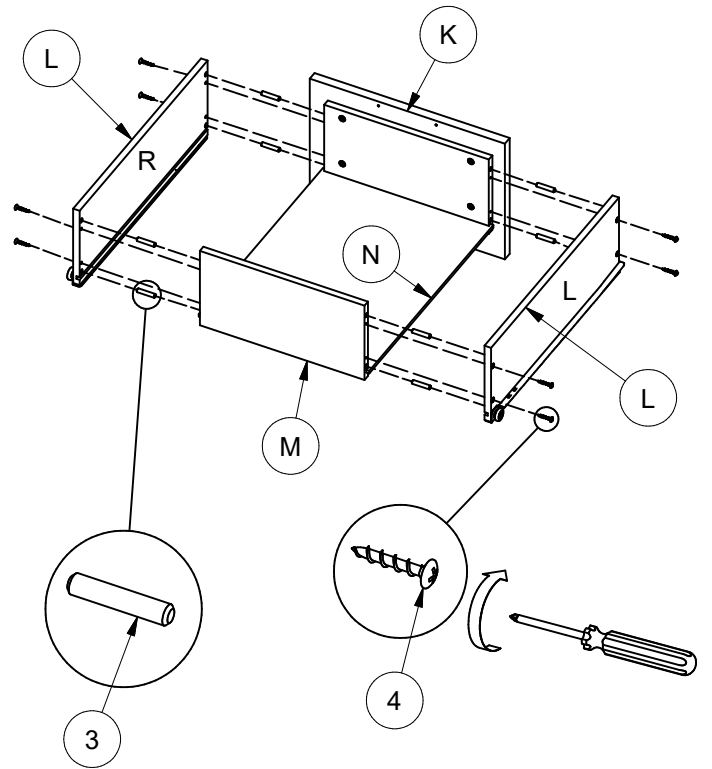
STEP :8



No.	Hardware	Q'ty
1	Cam lock	6

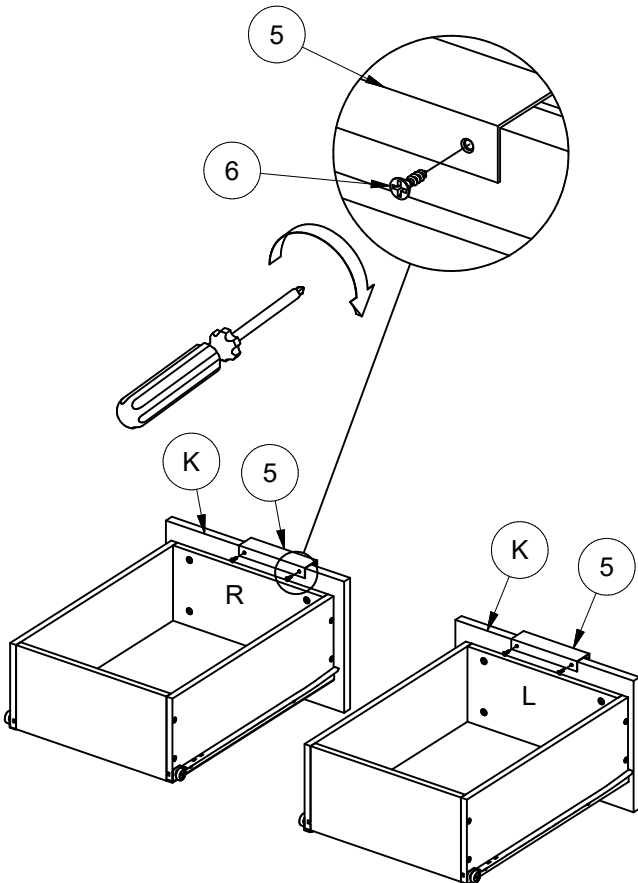
STEP :9

Drawer x2



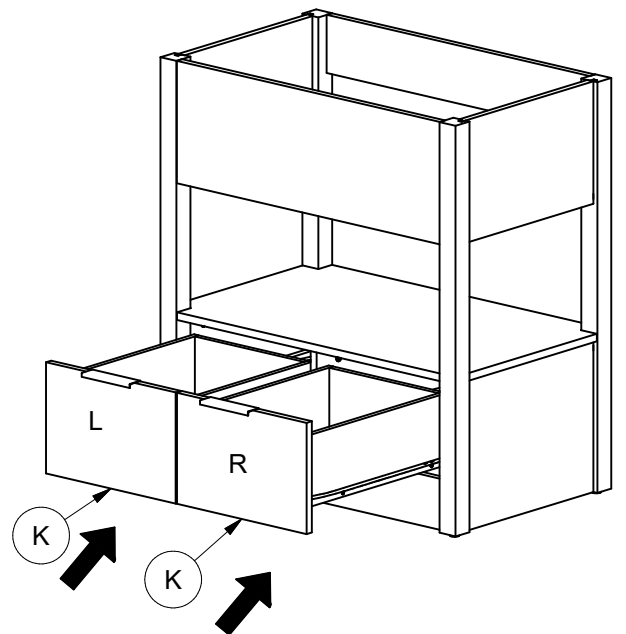
No.	Hardware	Q'ty
3	Wooden	16
4	Screw 4x25	16

STEP :10

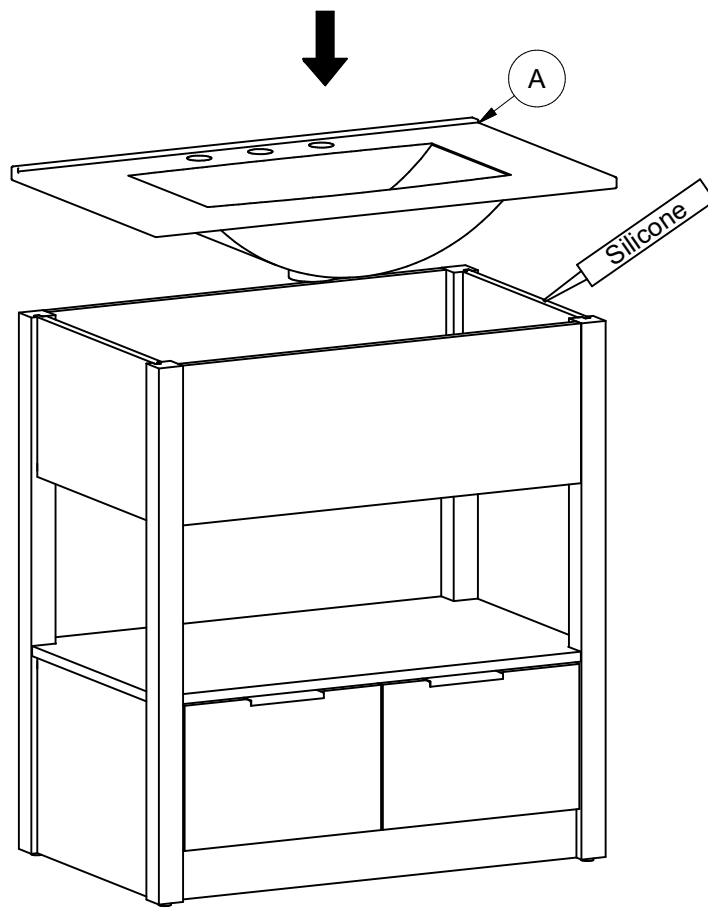


No.	Hardware	Q'ty
5	Handles	2
6	Screw 3x12	4

STEP :11



STEP :12



STEP :13

