



Safety and Care Advice

Important – Please read these instructions fully before starting assembly

- Check you have all the components and tools listed on the following pages.
- Remove all fittings from the plastic bags and separate them into their groups.
- Keep children and animals away from the work area, small parts could choke if swallowed.
- Make sure you have enough space to layout the parts before starting.

- During assembly do not stand or put weight on the product, this could cause damage.
- Assemble the item as close to its final position (in the same room) as possible.
- Assemble on a soft level surface to avoid damaging the unit or your floor.
- Parts of the assembly will be easier with 2 people.



power drill is set on a low torque setting.

- To reduce the likelihood of damaging your product please ensure that your

Care and maintenance

- Only clean using a damp cloth and mild detergent, do not use bleach or abrasive cleaners.

- From time to time check that there are no loose screws on this unit.

- This product should not be discarded with household waste. Take to your local authority waste disposal centre.

Handy Hints

- Assemble all parts and bolts loosely during assembly, only once the product is complete should you fully tighten the bolts

- Regularly check and ensure That all bolts and fittings are tightend properly.

WARNING

In order to help prevent overturning – please follow these instructions

To help prevent product toppling over please follow the below steps:-

Use the anti tip stap or wall fixing method provided (if applicable)
Do not allow children to climb or hang on the furniture
Do not open more than one drawer at a time
Do not place heavy items in the top drawers
Do not place heavy items on top of the furniture, unless the furniture has been designed for this purpose

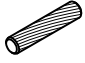
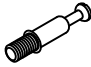





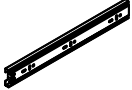














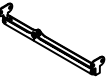

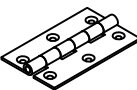

Please note that only the anti tip strap is provided.

You will need to provide wall plugs and screws applicable for your wall type

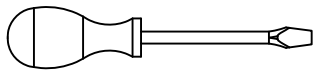
Components - Fittings

Please check you have all the panels listed below

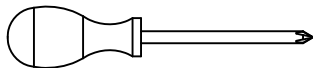
Note: The quantities below are the correct amount to complete the assembly. In some cases more fittings may be supplied than are required.

A  Dowel x26+1	B  Cam Bolt x30+1	C  Cam lock x20+1	D  Male Cam lock x10
E  4*35mm Screw x16	F  Door Handle x2	G  4*18mm Bolt x2	H  Drawer slide 14" x4
I  3.5*12mm Screw x24+2	J  Door Hinge x1 set	K  3.5*12mm Screw x6	L  Positioning Pin x2
M  Door Catch x1	N  3.0*14mm Screw x2	O  Shelf Support Pin x8	P  6*90mm Bolt x6
Q  Flat Washer x6	R  Lock Washer x6	S  Allen Key x1	T  Locking Caster x2
U  Caster x3	V  6*12mm Bolt x20	W  Support Hinges x1	X  4*15mm Screw x4
Y  Butt Hinge x3	Z  3.5*15mm Screw x18		

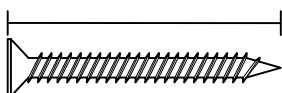
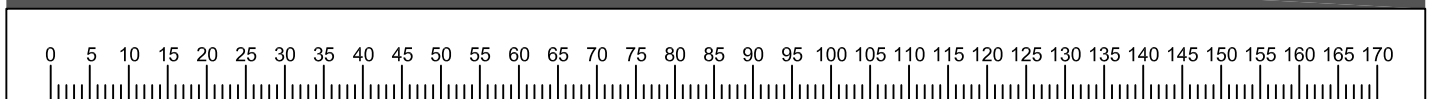
Tools required



Phillips screwdriver
(medium & large)



Ruler - Use this ruler to help correctly identify the screws



The screws length is measured from the head to the point (35mm screw shown).

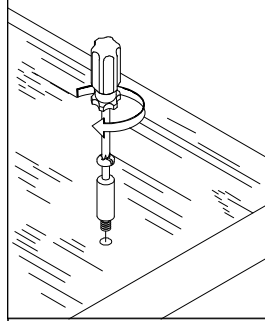
Using Camlocks

Step 1

Connect the male camlock as directed in the assembly instructions using a screwdriver.

1

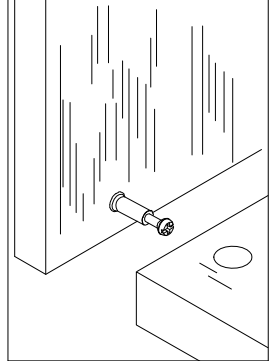
DO NOT OVER TIGHTEN.
NE PAS SERRER EXCESSIVEMENT.



Step 2

Push the male camlock into the entry hole.

2

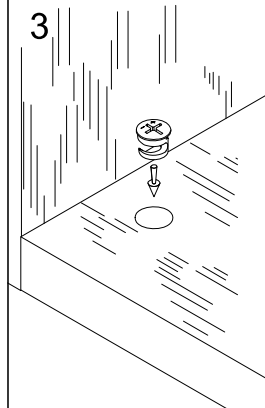


Step 3

Insert the female camlock as shown in the instruction.

Note: ensure that the arrow on the top of the camlock points towards the entry hole for the male camlock.

3



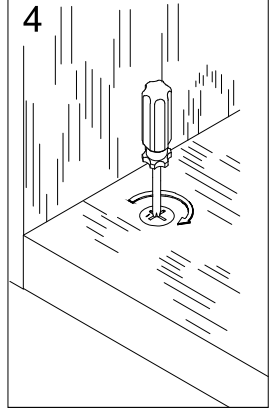
Step 4

Turn the female camlock clockwise with a screwdriver.

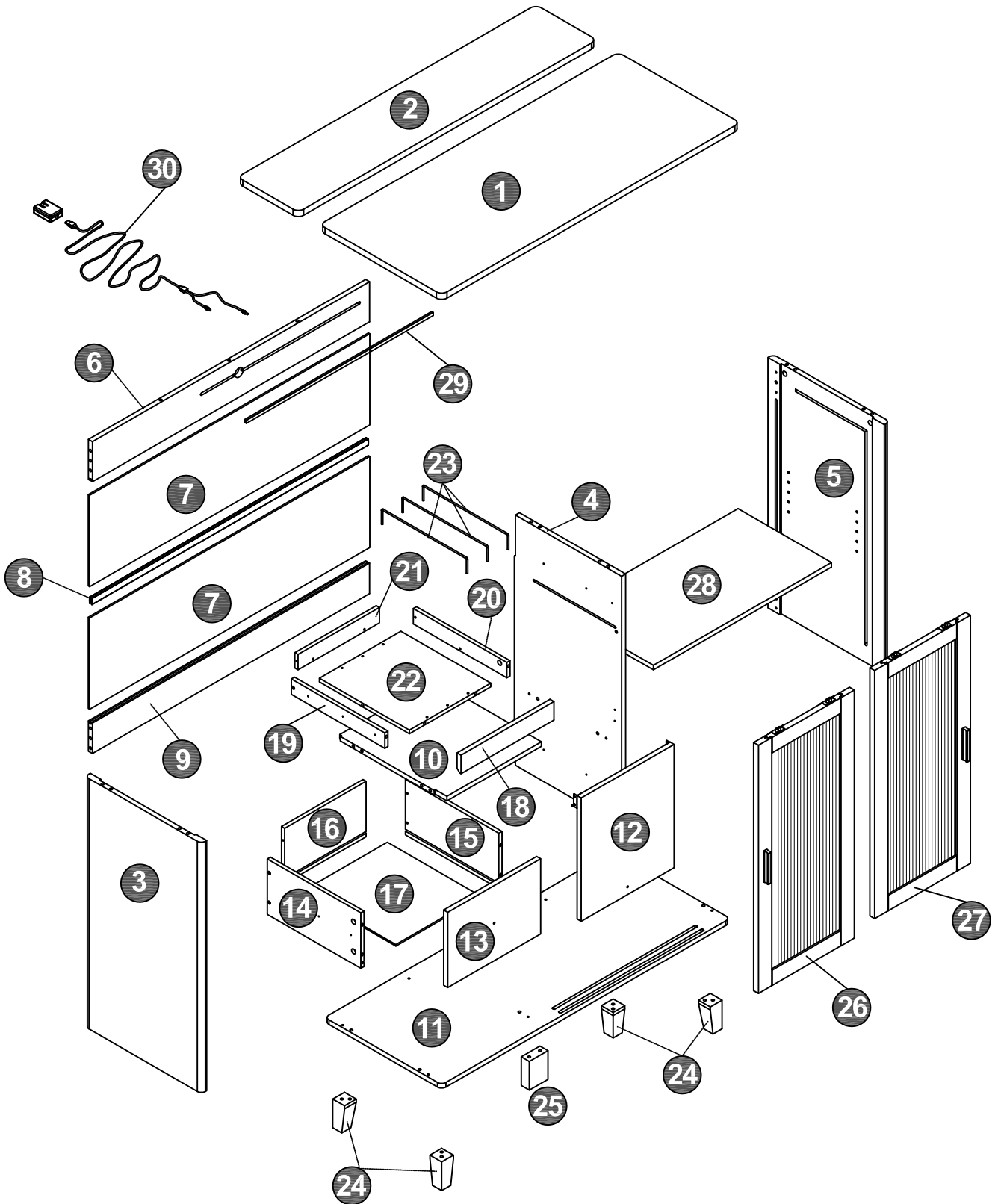
You should feel a click when the camlock is locked in place.

The joint is now secure.

4

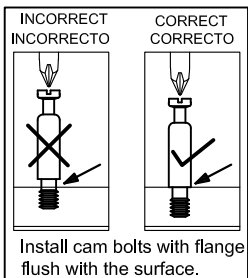


Assembly Instructions



Assembly Instructions

Step 1



A

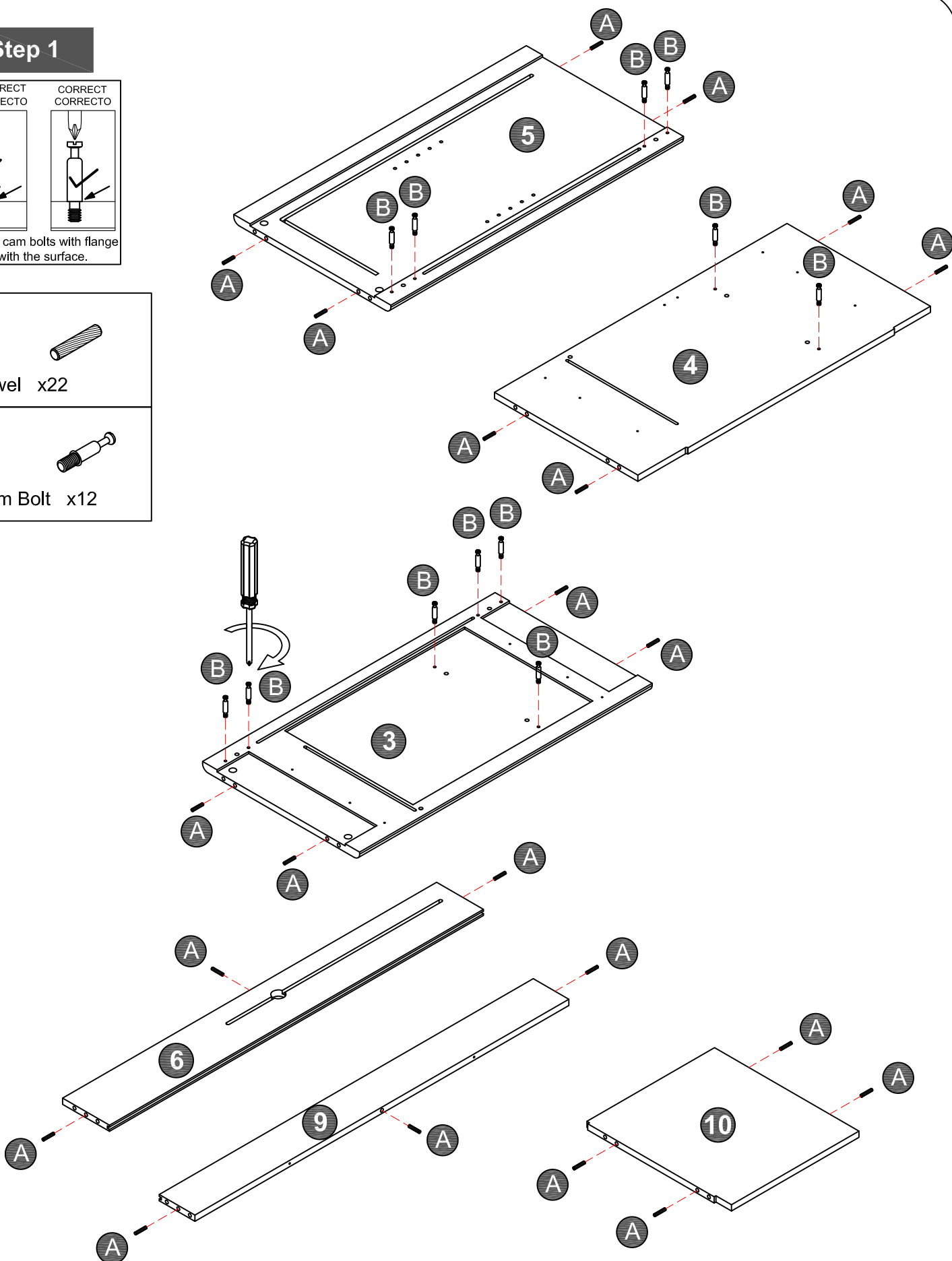


Dowel x22

B

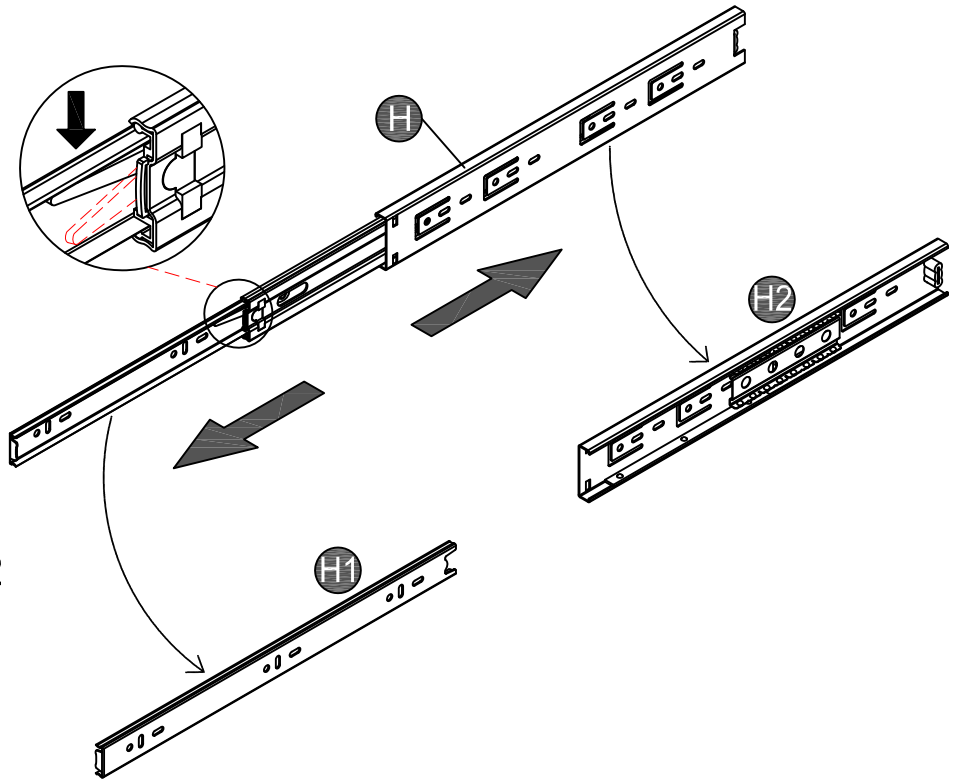


Cam Bolt x12

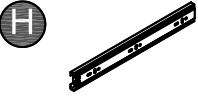


Assembly Instructions

Step 2

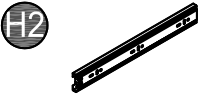


Split H into H1 and H2




 Drawer slide 14" x4

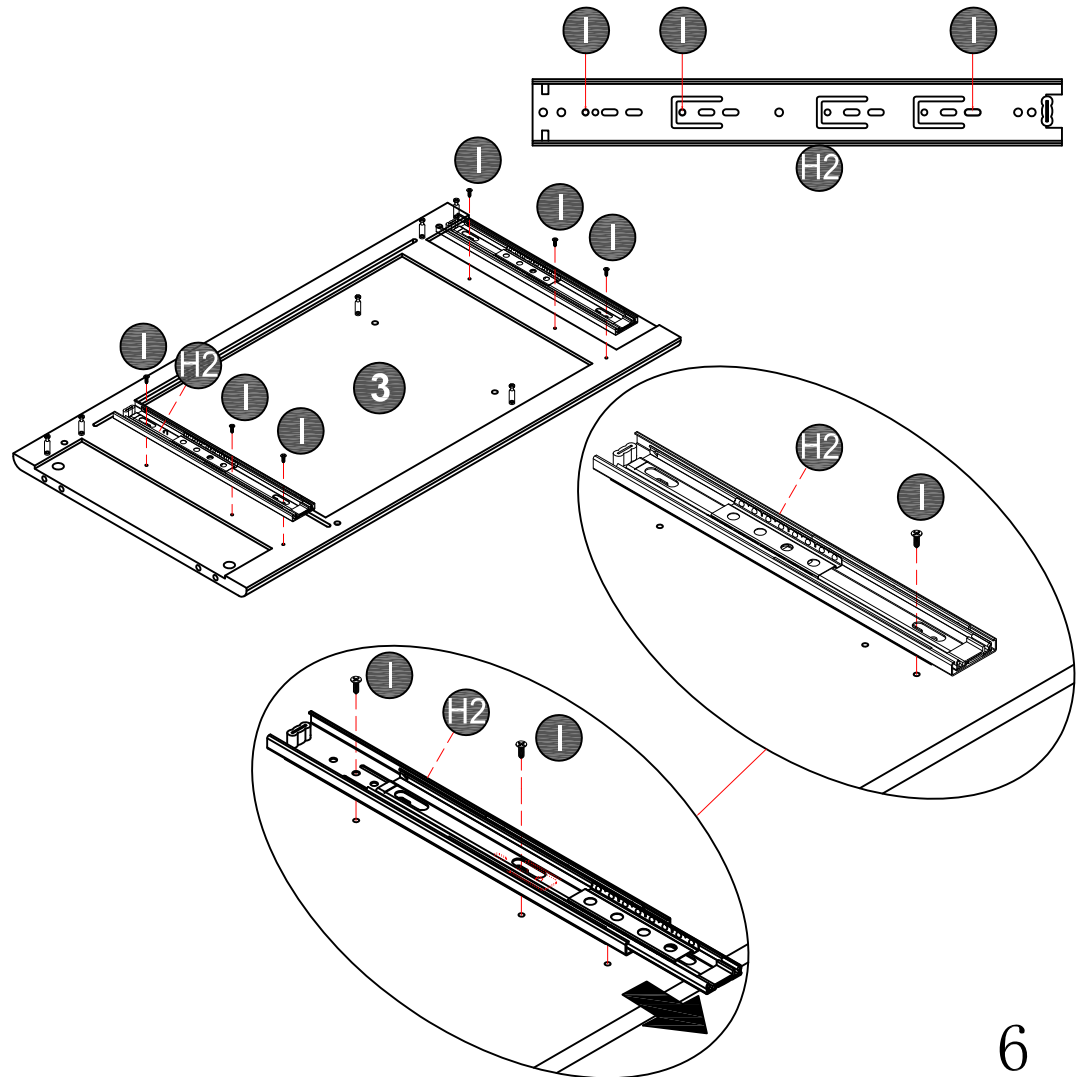
Step 3



 Drawer slide 14" x2



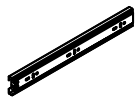
 3.5*12mm Screw x6



Assembly Instructions

Step 4

H2

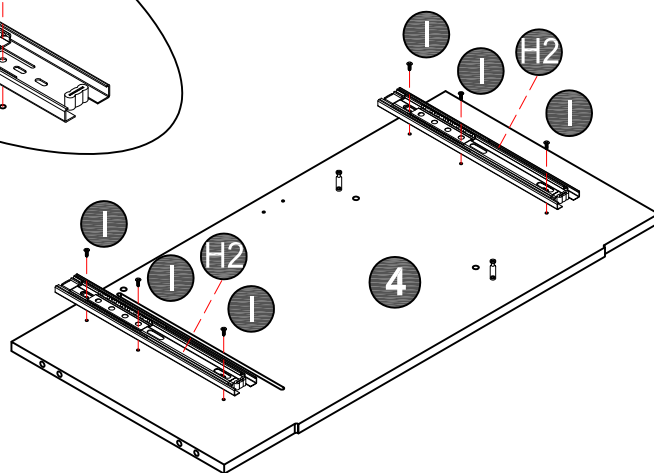
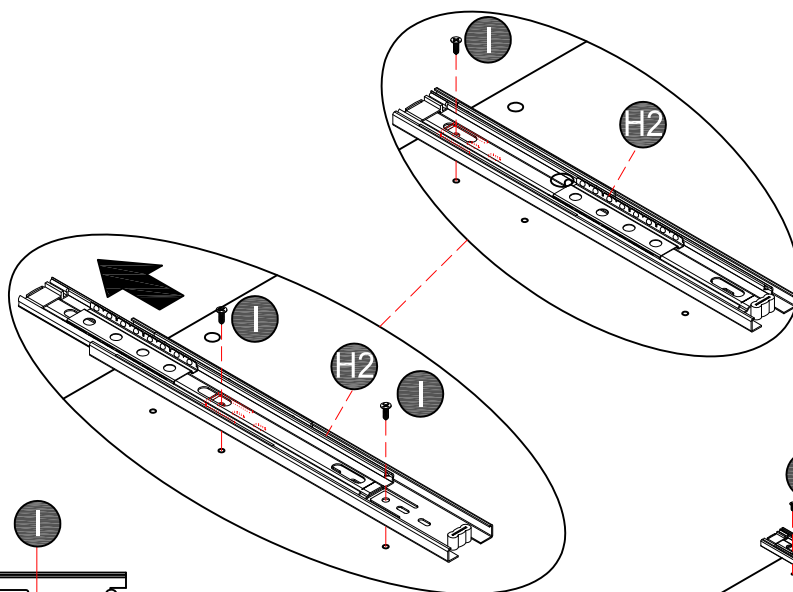
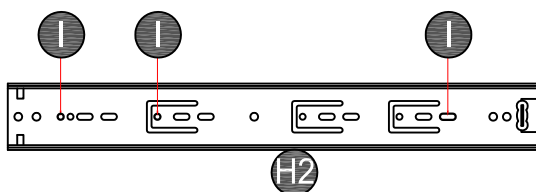


Drawer slide 14" x2

I



3.5*12mm Screw x6

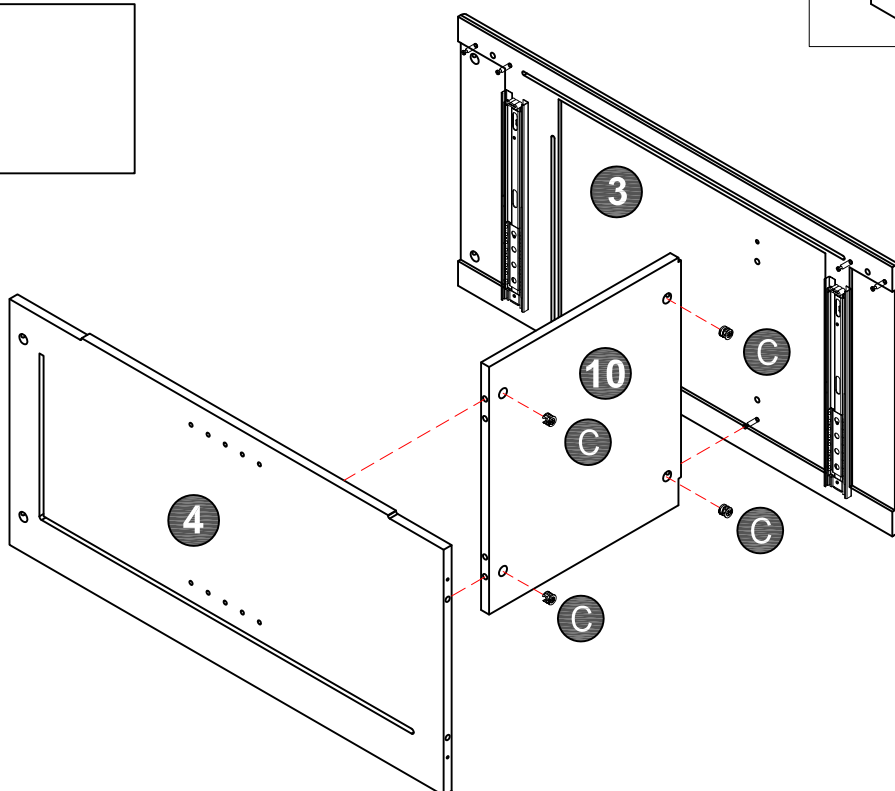
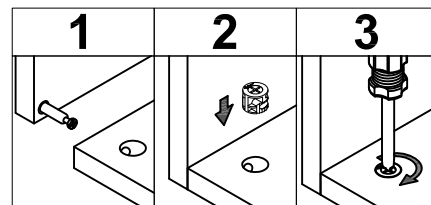


Step 5

C

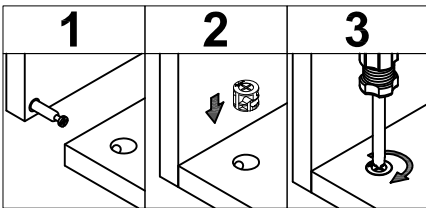
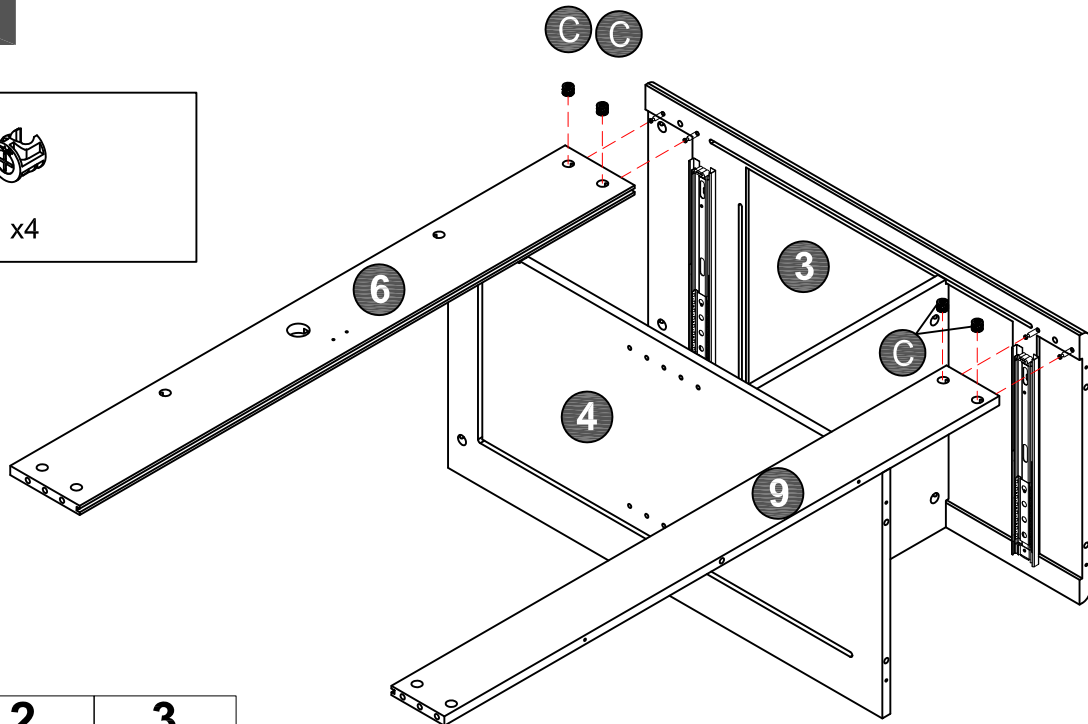
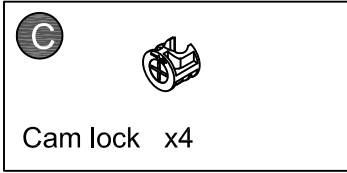


Cam lock x4

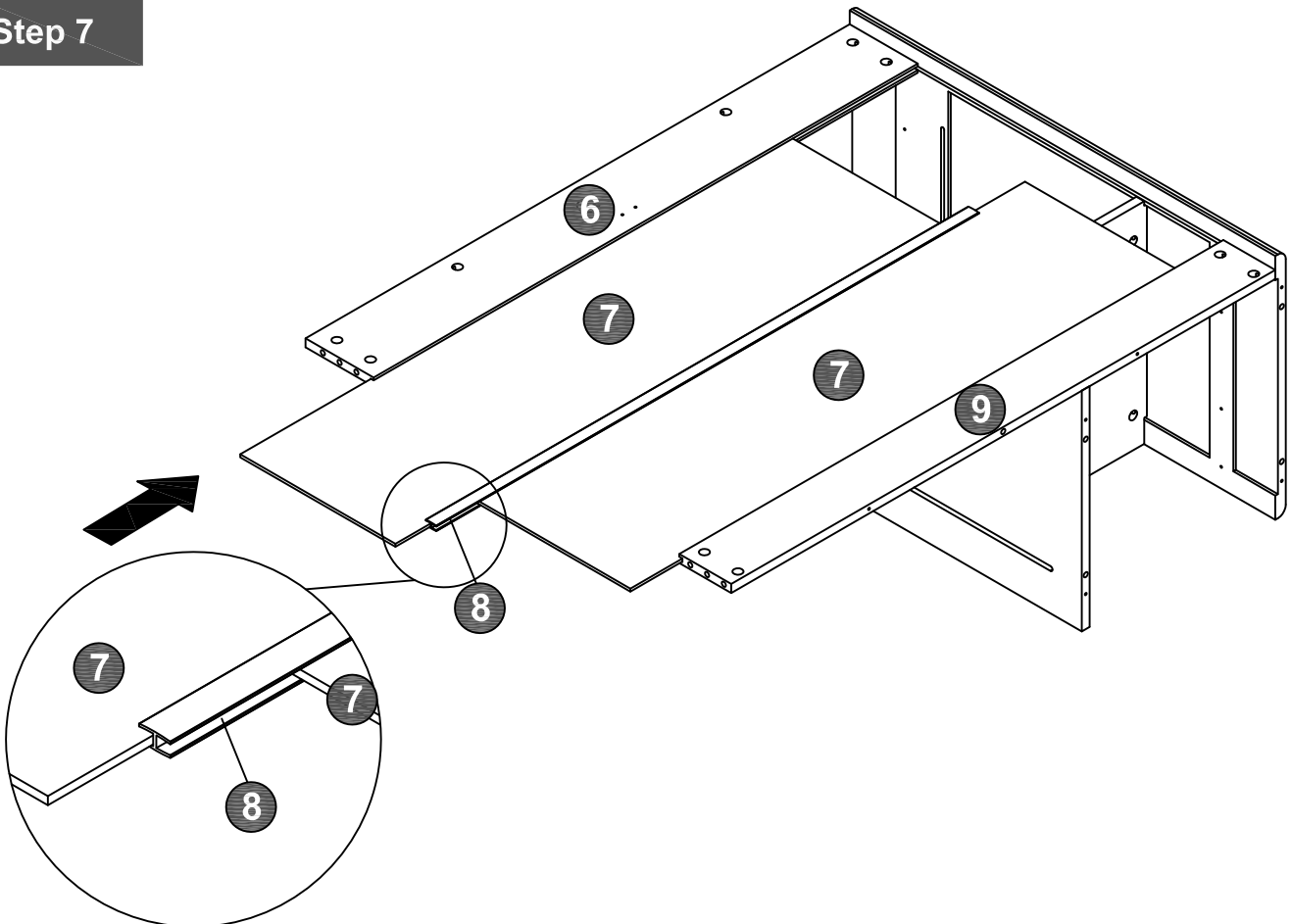


Assembly Instructions

Step 6



Step 7



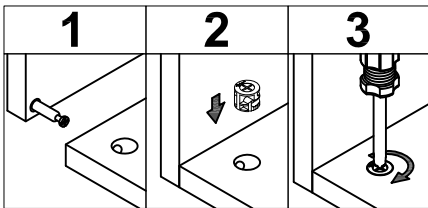
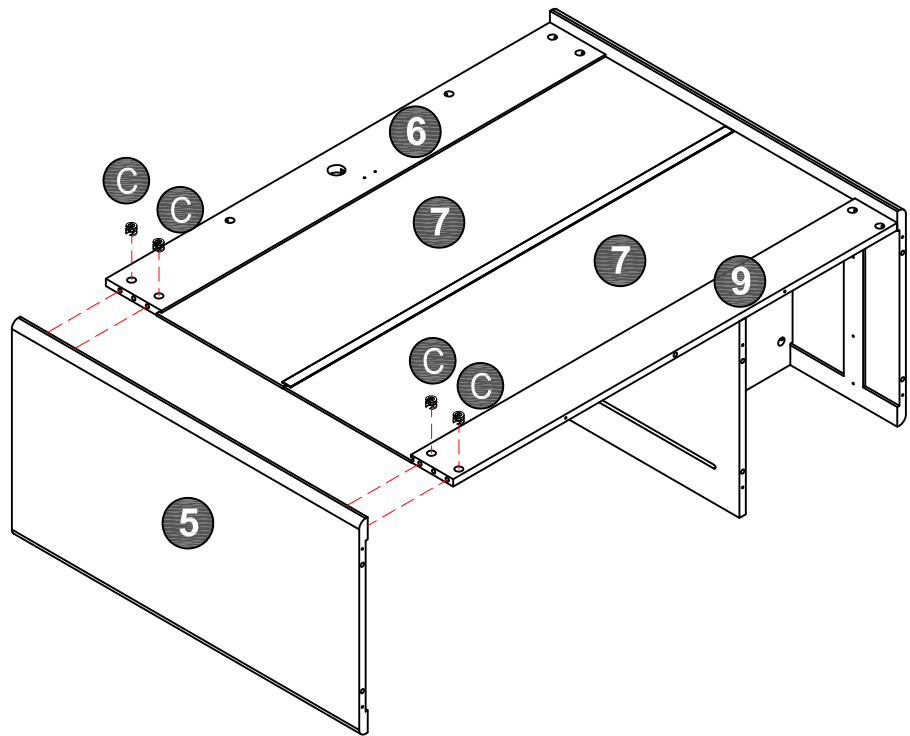
Assembly Instructions

Step 8

C



Cam lock x4

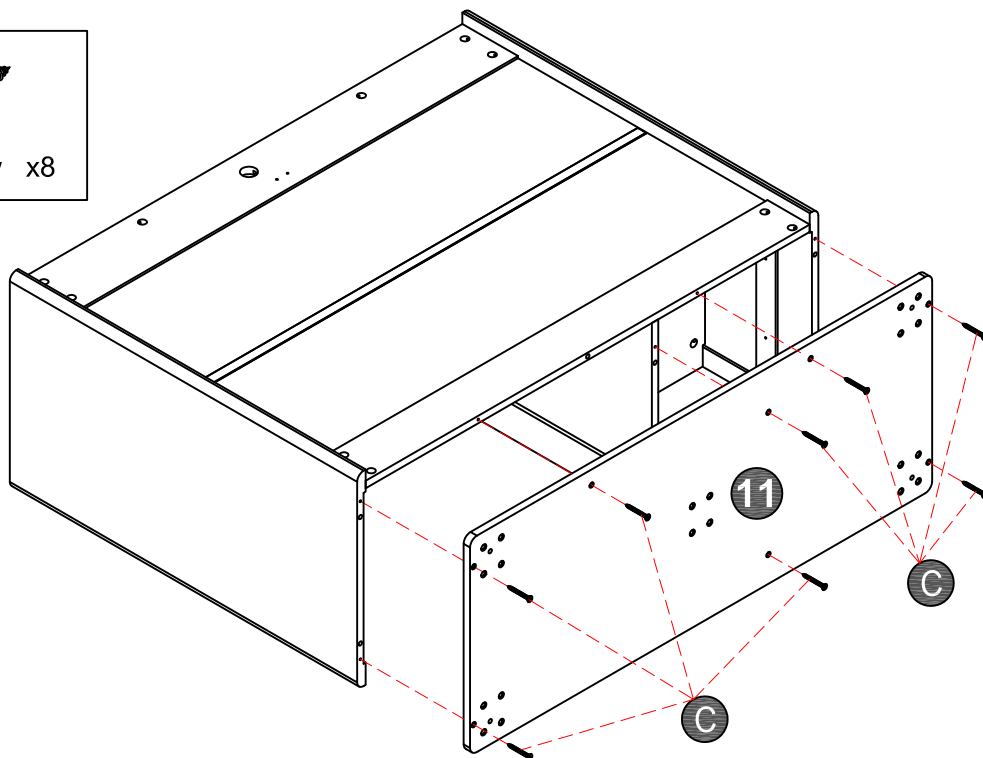


Step 9

E

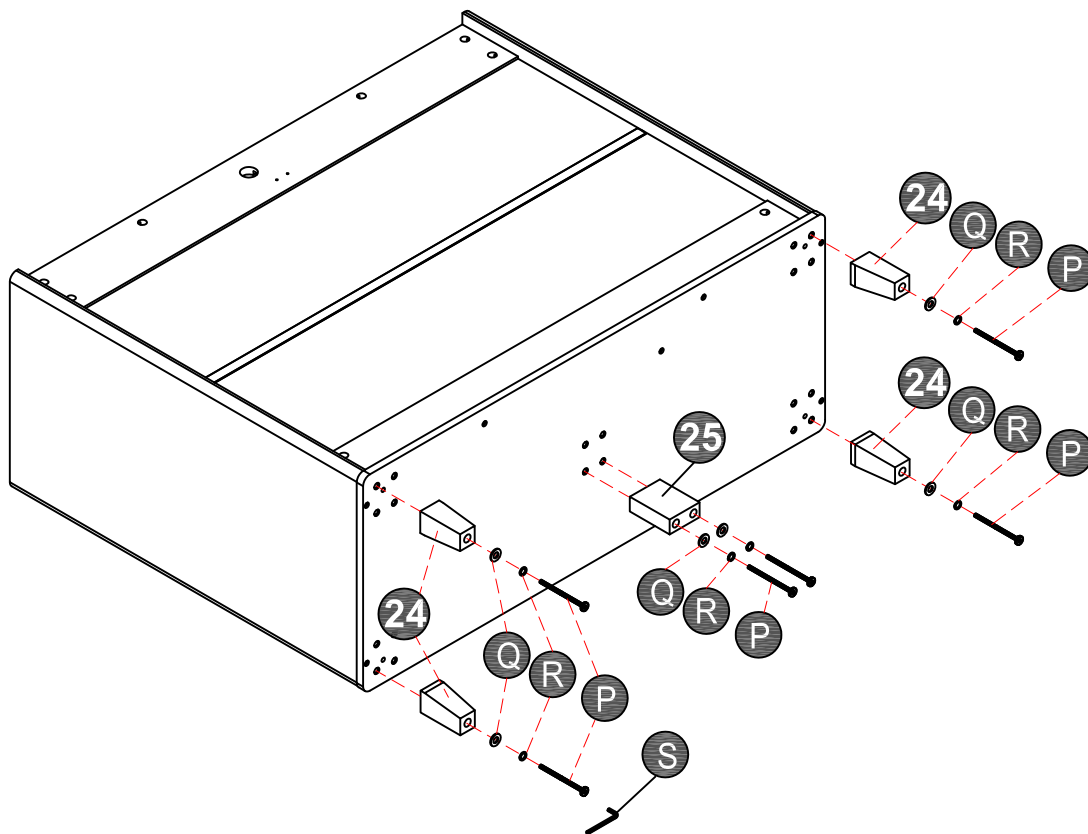


4*35mm Screw x8

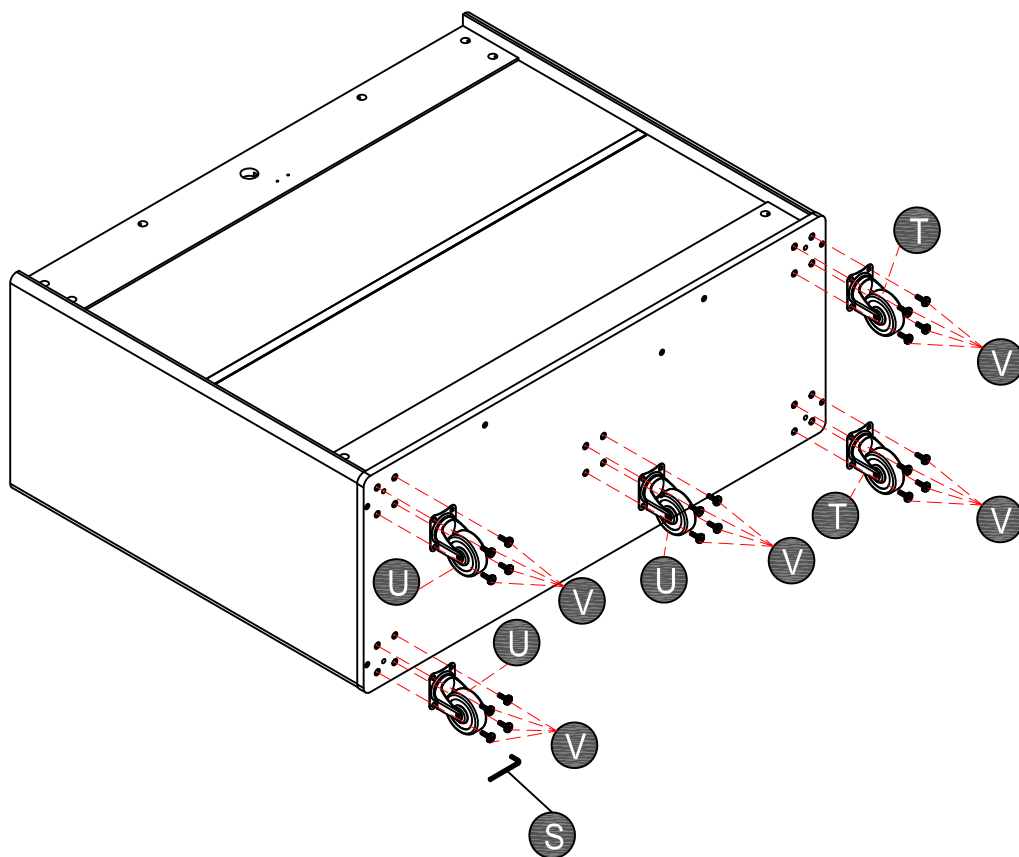
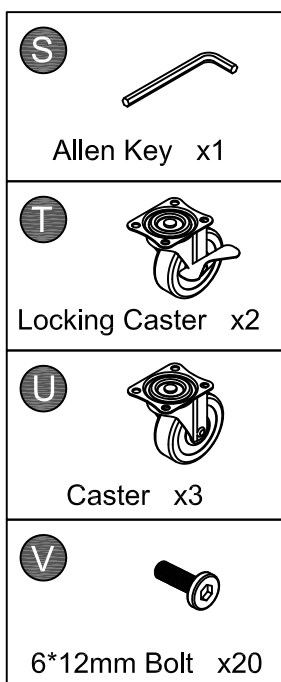


Assembly Instructions

Step 10

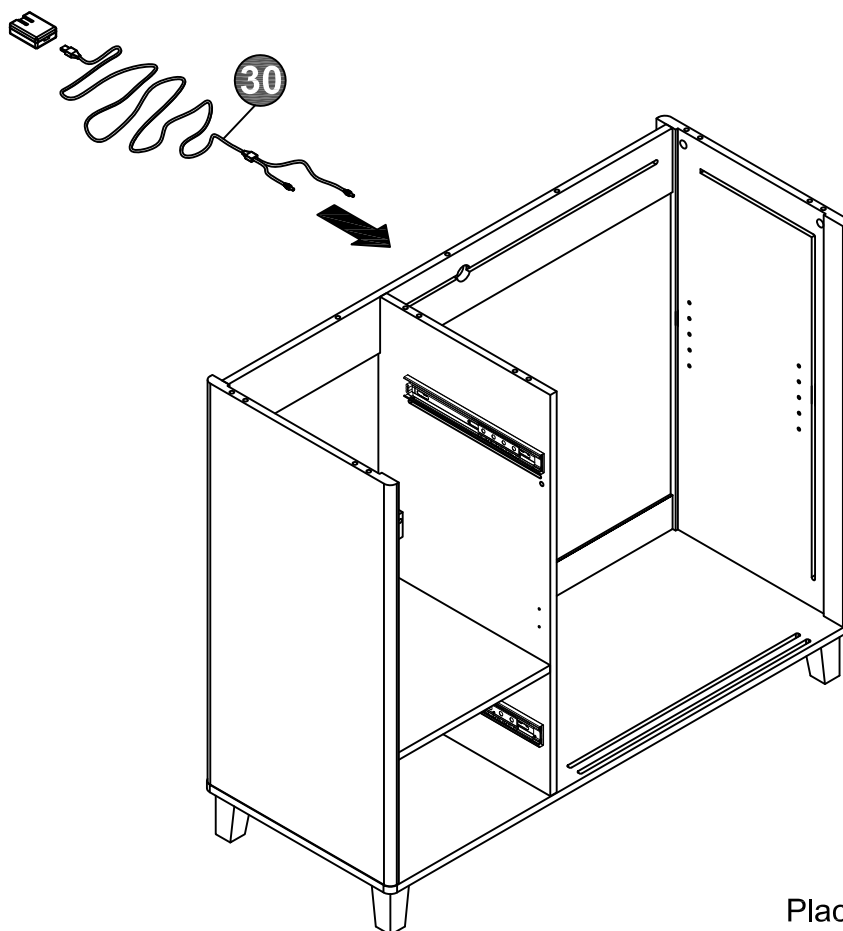


OR

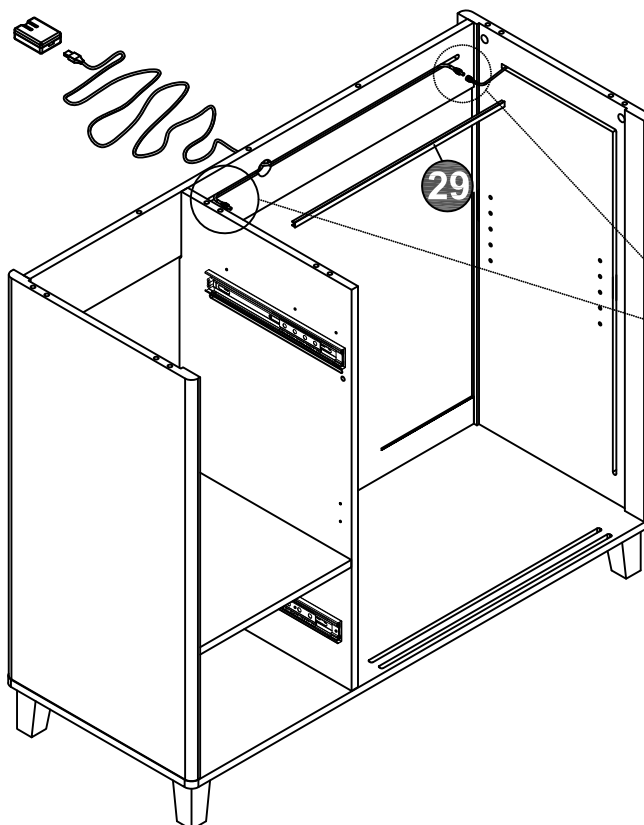


Assembly Instructions

Step 11



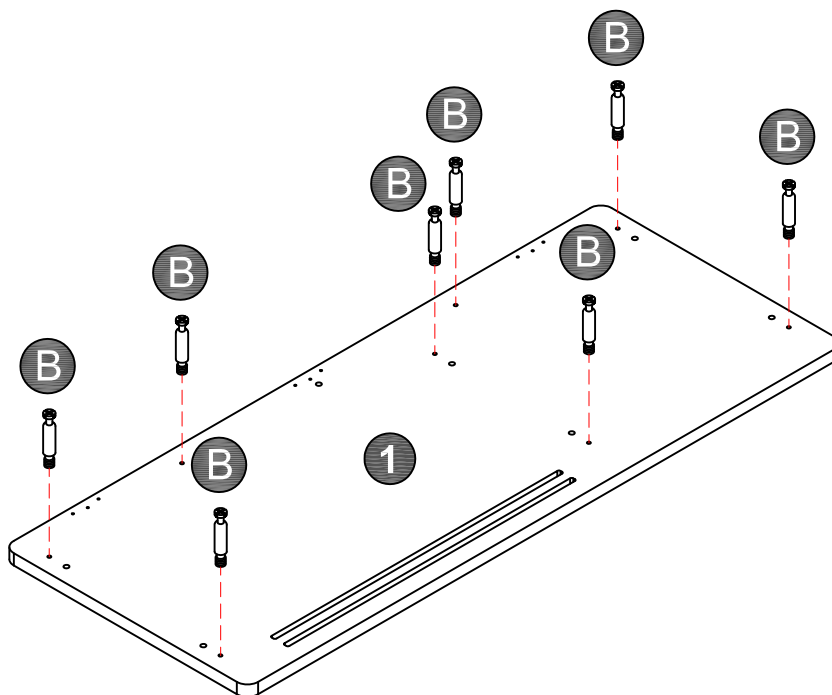
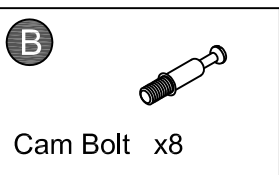
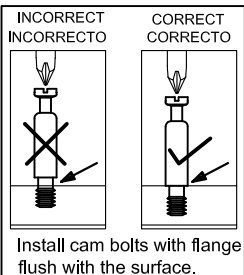
Step 12



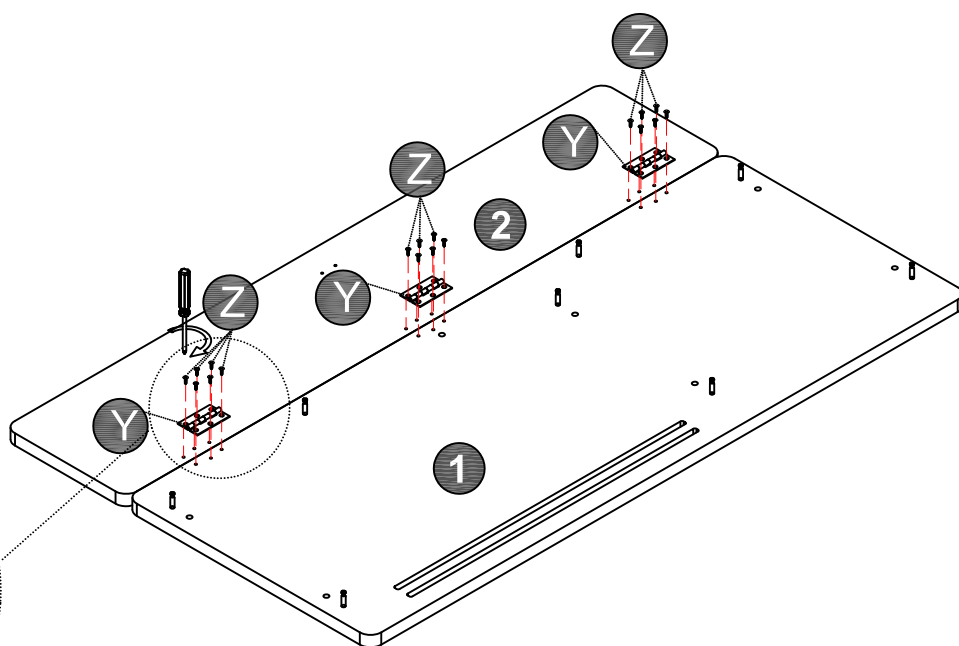
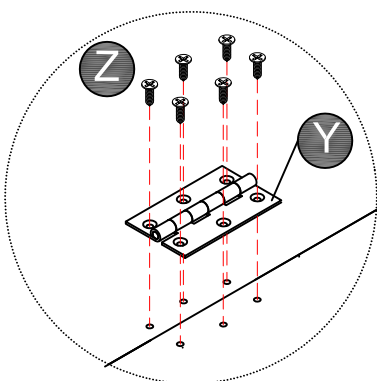
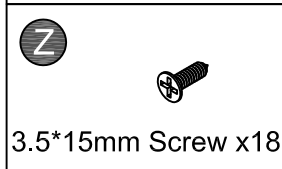
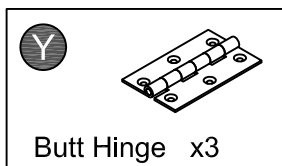
Place the wire into the slot, with the long wire on the right and the short wire on the left. Squeeze the plastic tape into the slot to cover the wire and connect the two plugs together

Assembly Instructions

Step 13



Step 14



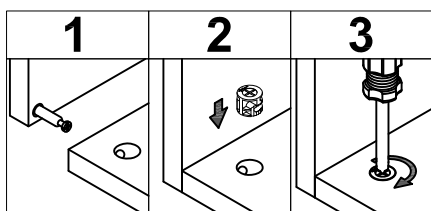
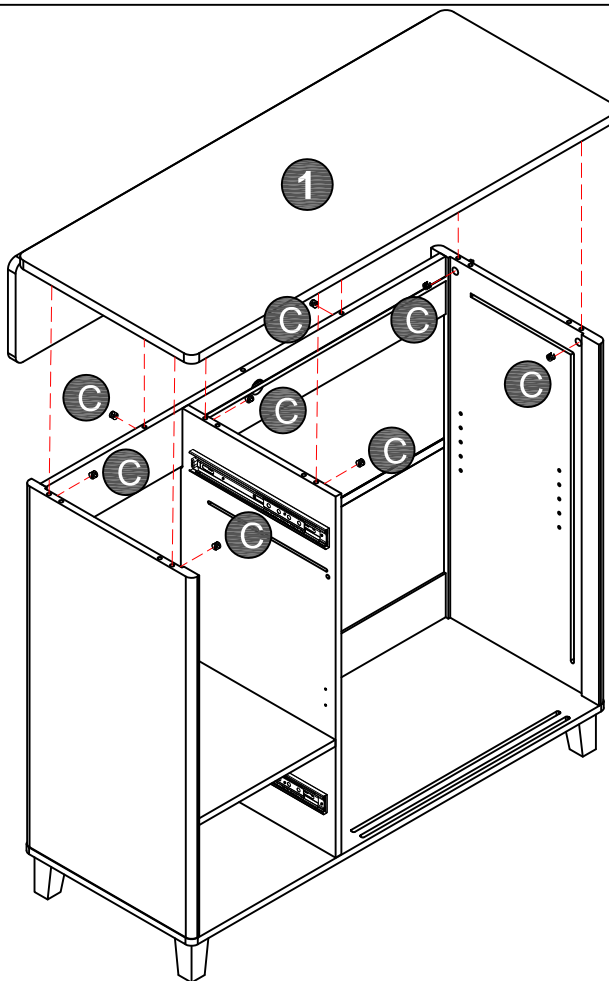
Assembly Instructions

Step 15

C



Cam lock x8



Step 16

W

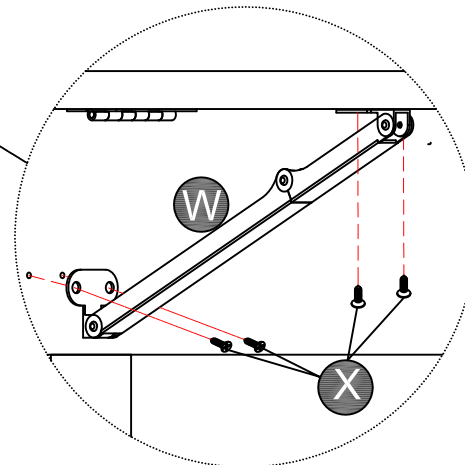
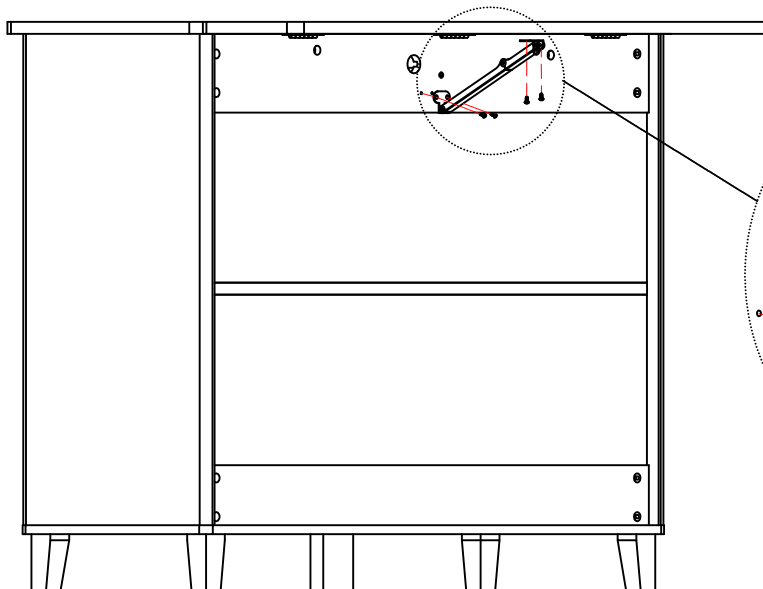


Support Hinges x1

X







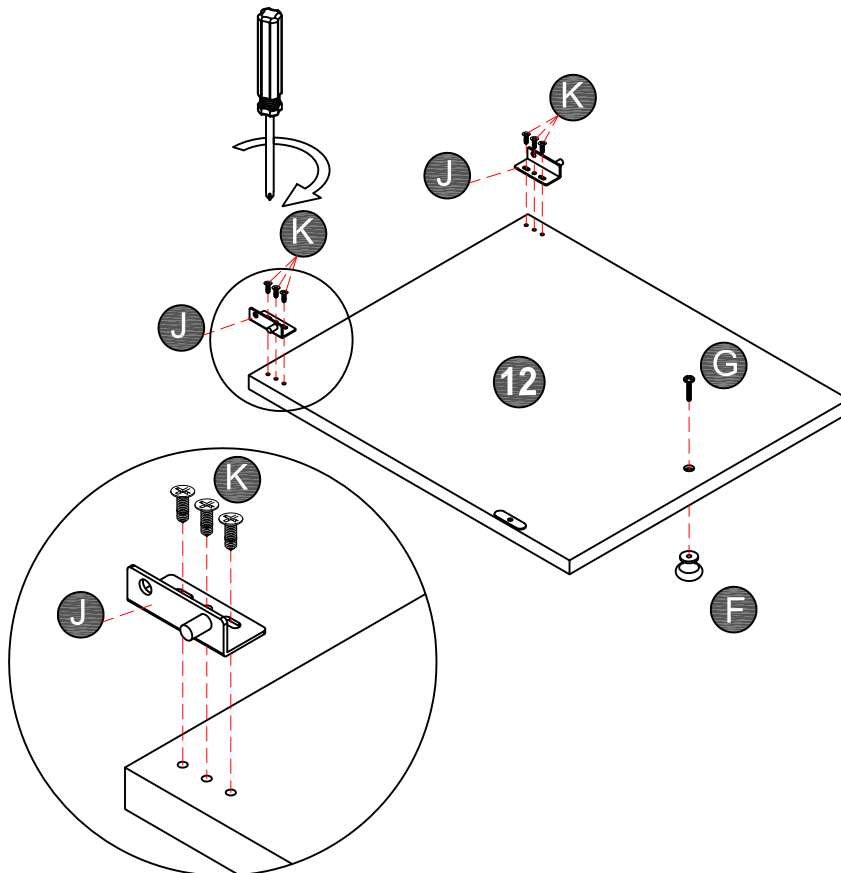
4*15mm Screw x4



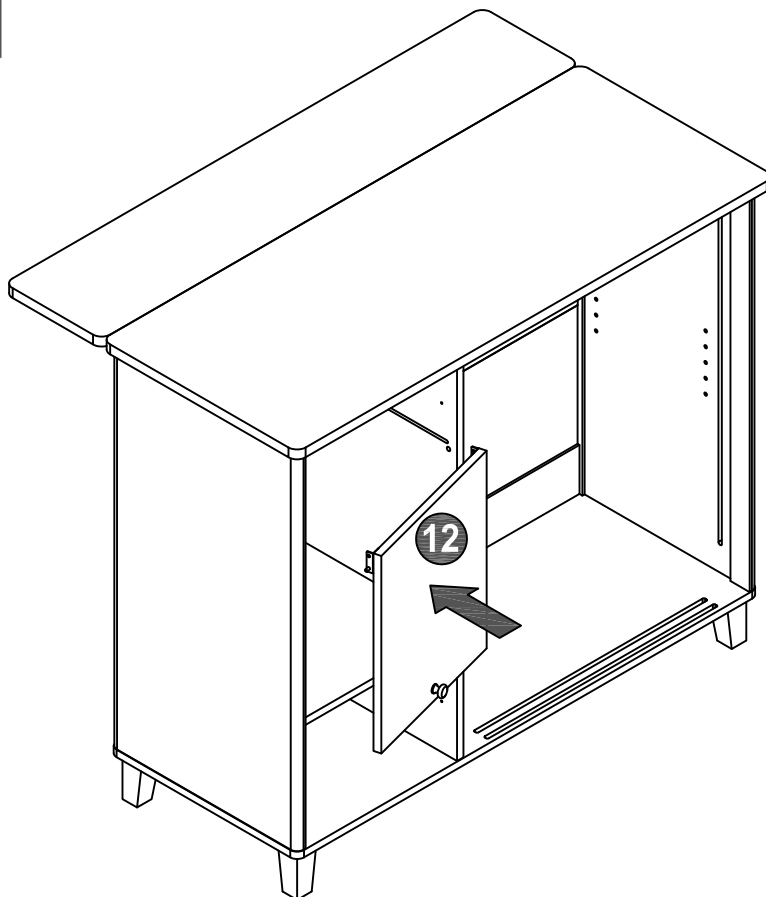
Assembly Instructions

Step 17

J	
Door Hinge	x1 set
K	
3.5*12mm Screw	x6
F	
Door Handle	x1
G	
4*18mm Bolt	x1



Step 18



Slant the door 15 degrees and place the pins at both ends into the slots in the cabinet, then place them straight to complete the installation of the door.

Assembly Instructions

Step 19

L



Positioning Pin x2

M

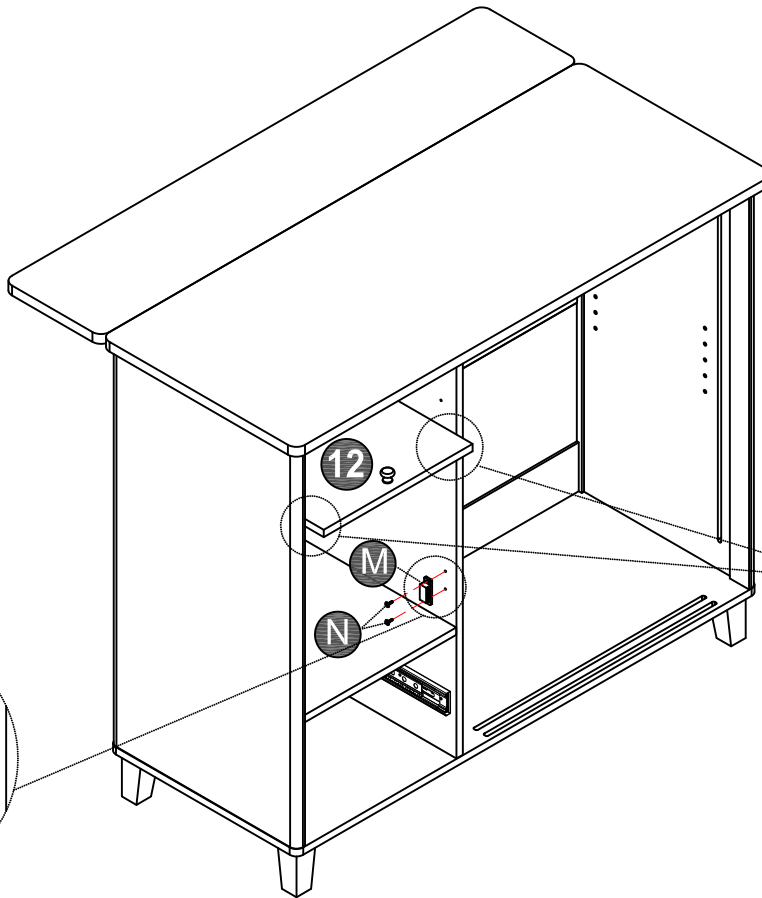
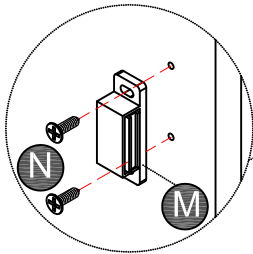


Door Catch x1

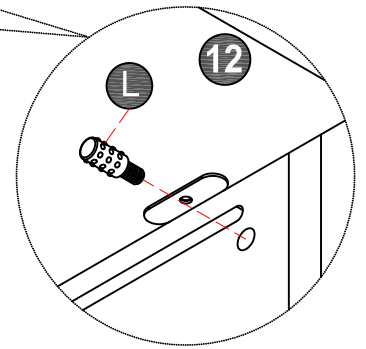
N



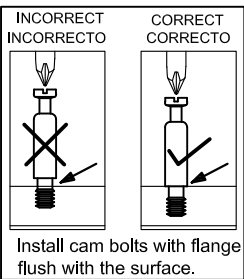
3.0*14mm Screw x2



To screw on the latch, first flip the door upwards and push it inward. Support the door panel with one hand and screw the latch into the holes on both sides with the other hand.



Step 20



B



Cam Bolt x6

H1

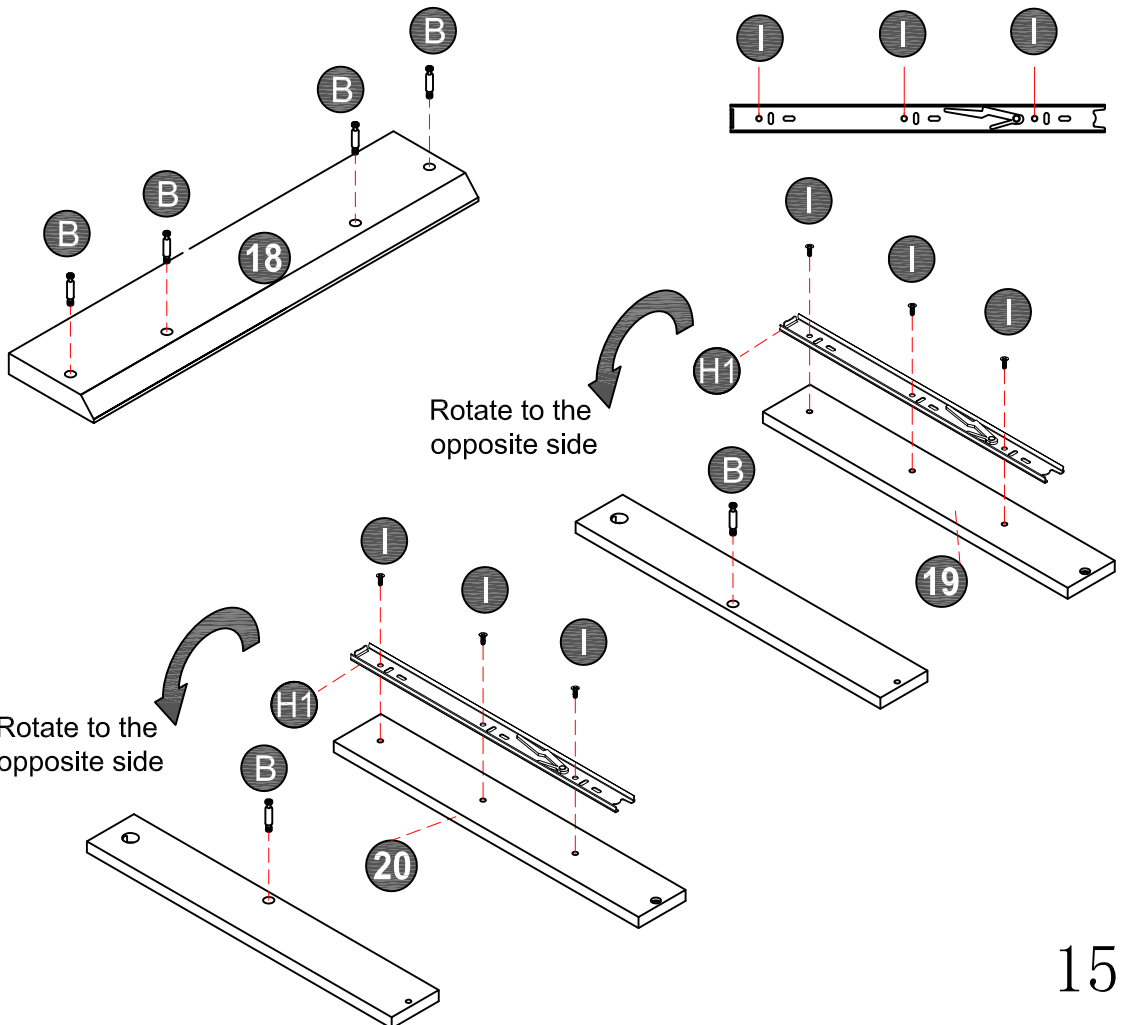


Drawer slide 14" x2

I



3.5*12mm Screw x6



Assembly Instructions

Step 21

E

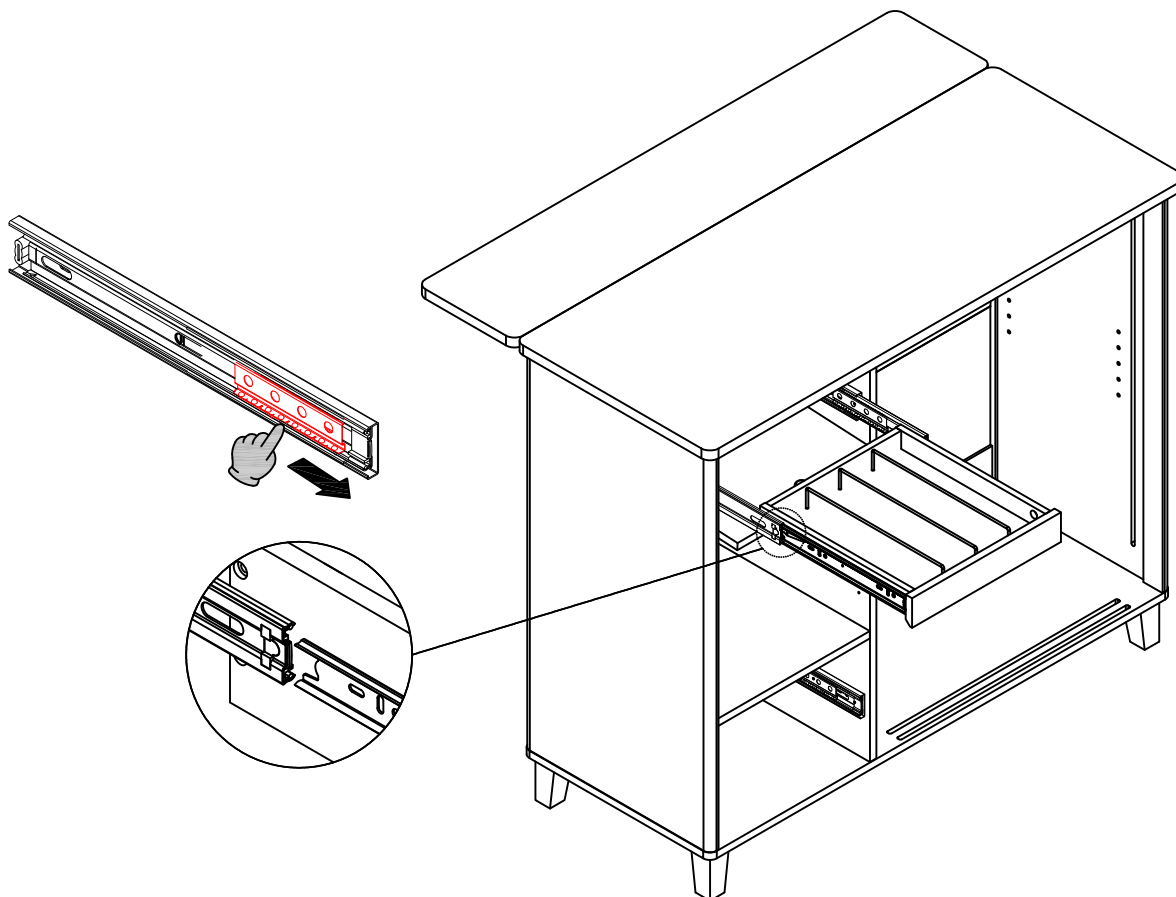
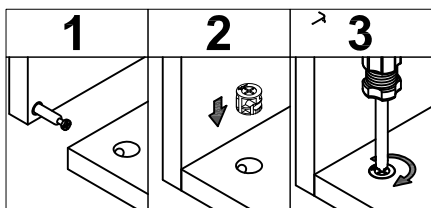
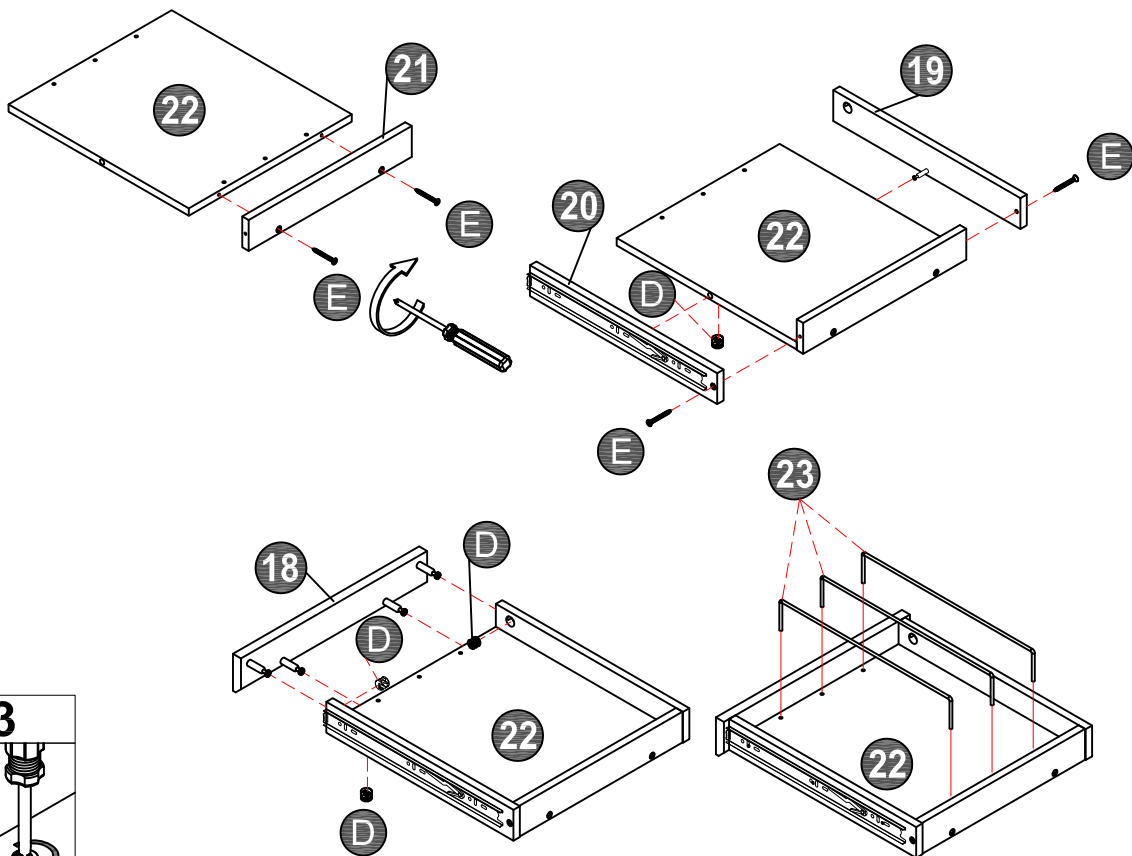


4*35mm Screw x4

D

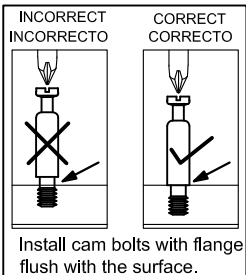


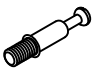
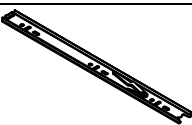

Male Cam lock x6

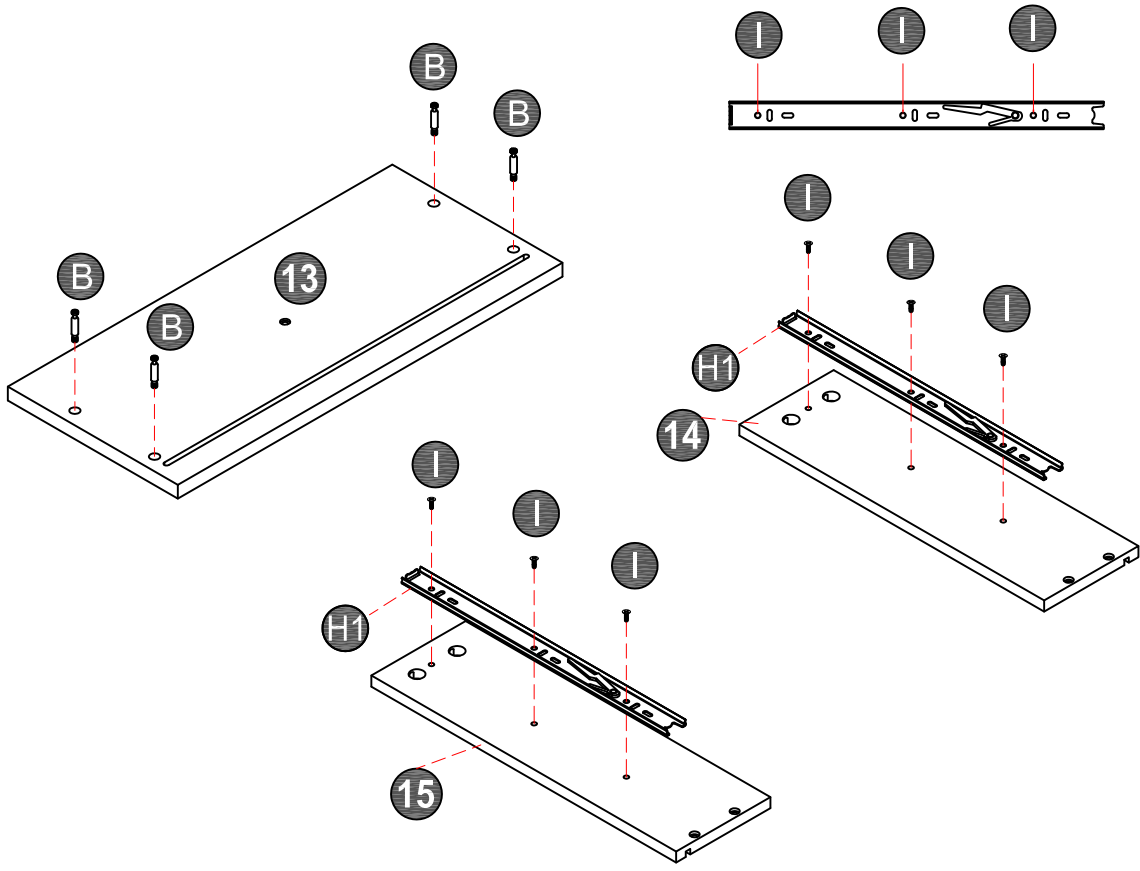


Assembly Instructions


Step 22

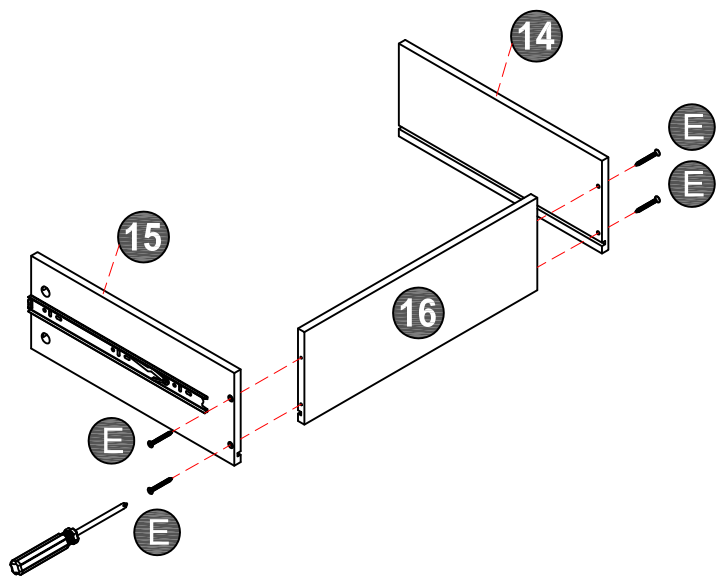


- B**  Cam Bolt x4
- H1**  Drawer slide 14" x2
- I**  3.5*12mm Screw x6



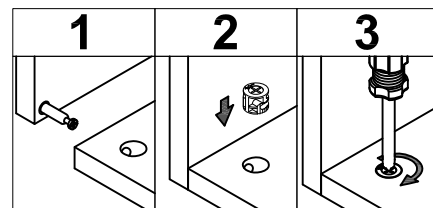
Step 23




- E**  4*35mm Screw x4

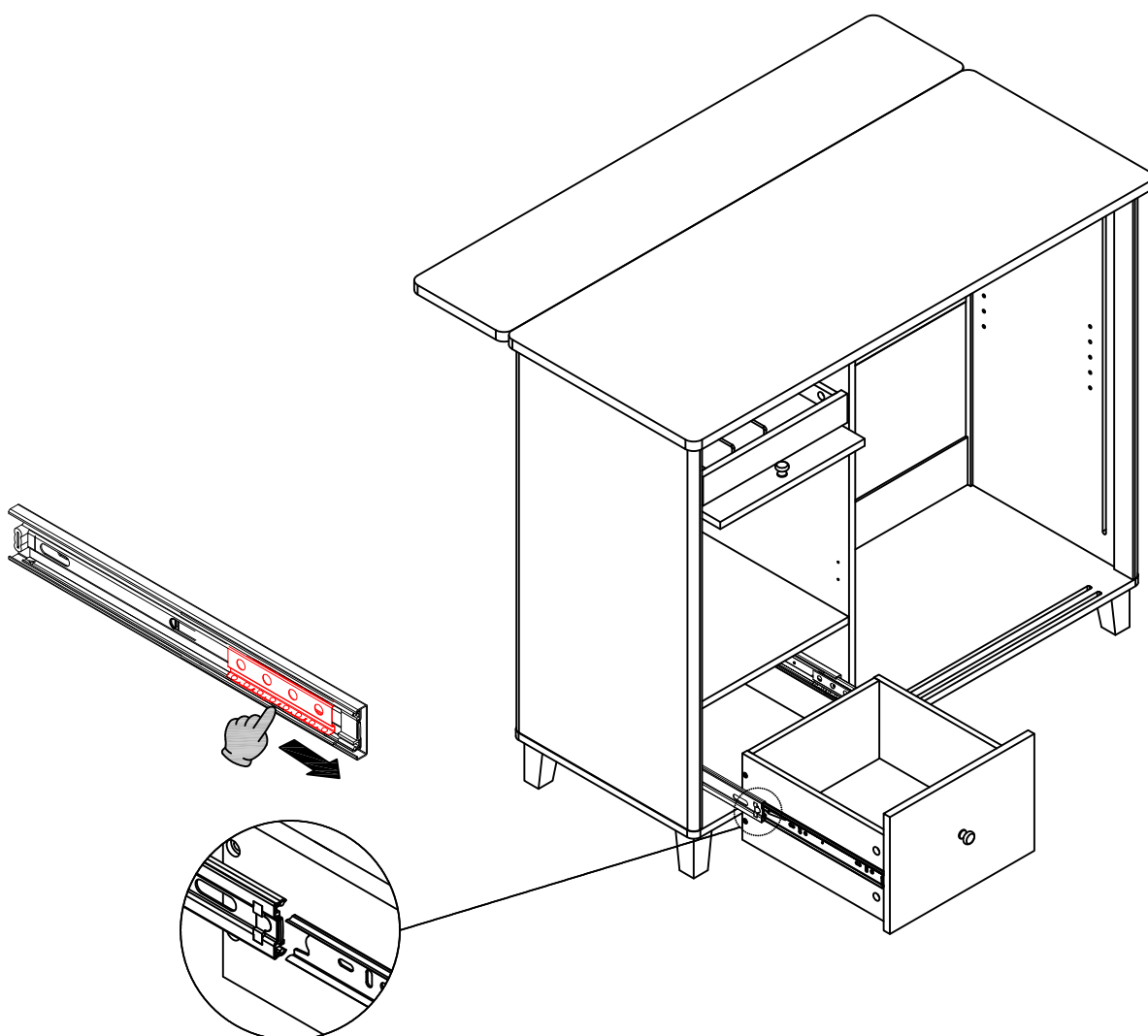
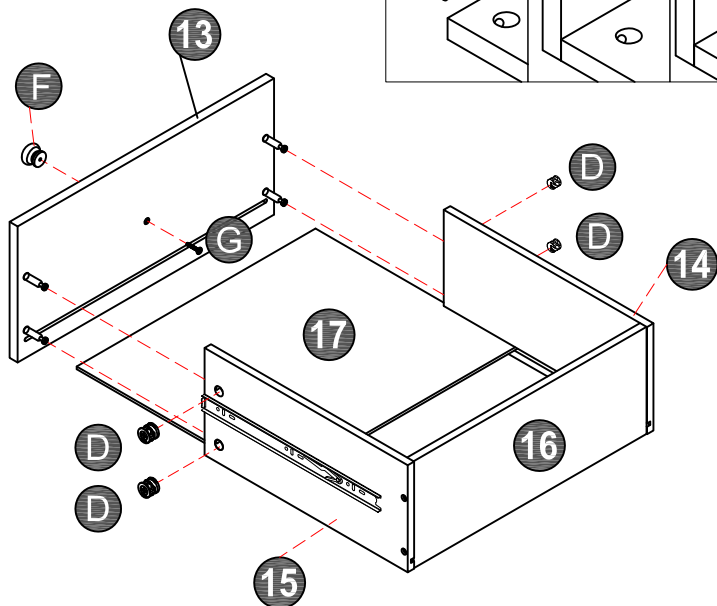


Assembly Instructions

Step 24

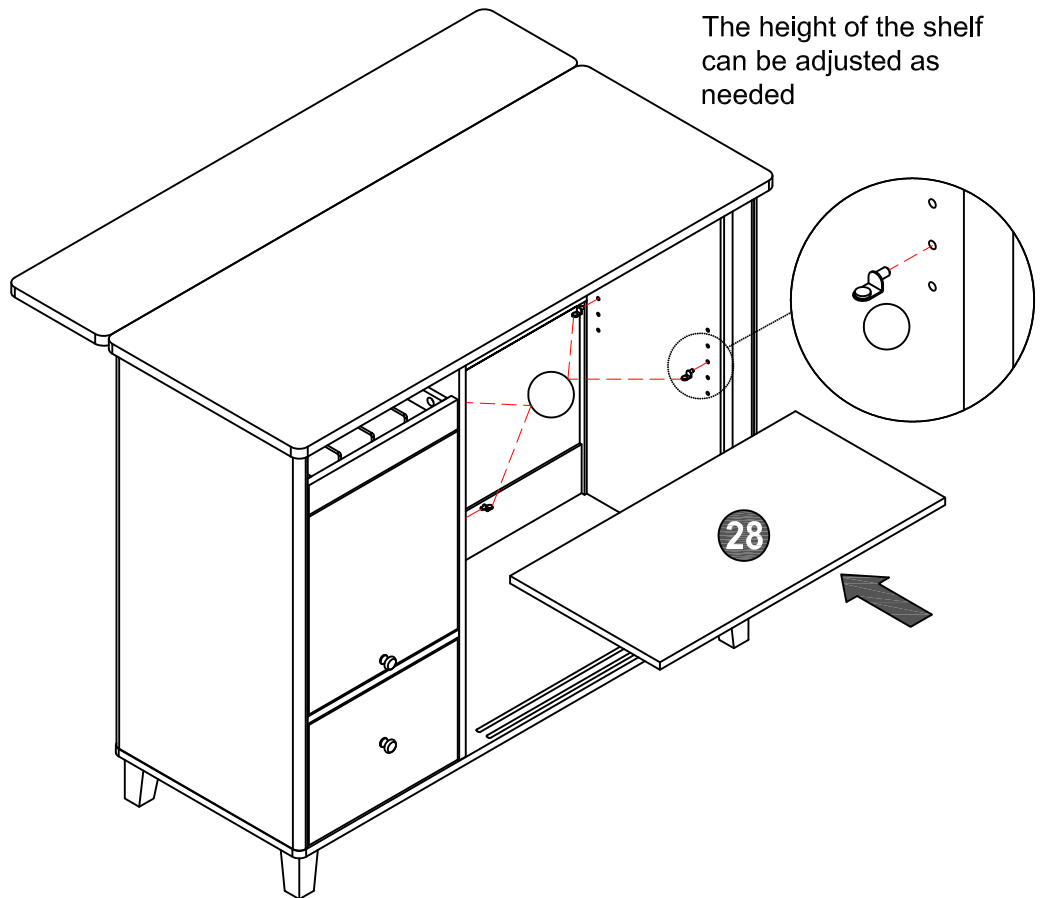
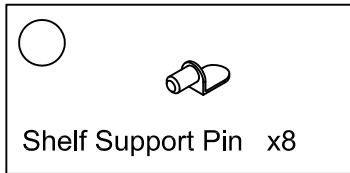


D	
Male Cam lock	x4
F	
Door Handle	x1
G	
4*18mm Bolt	x1

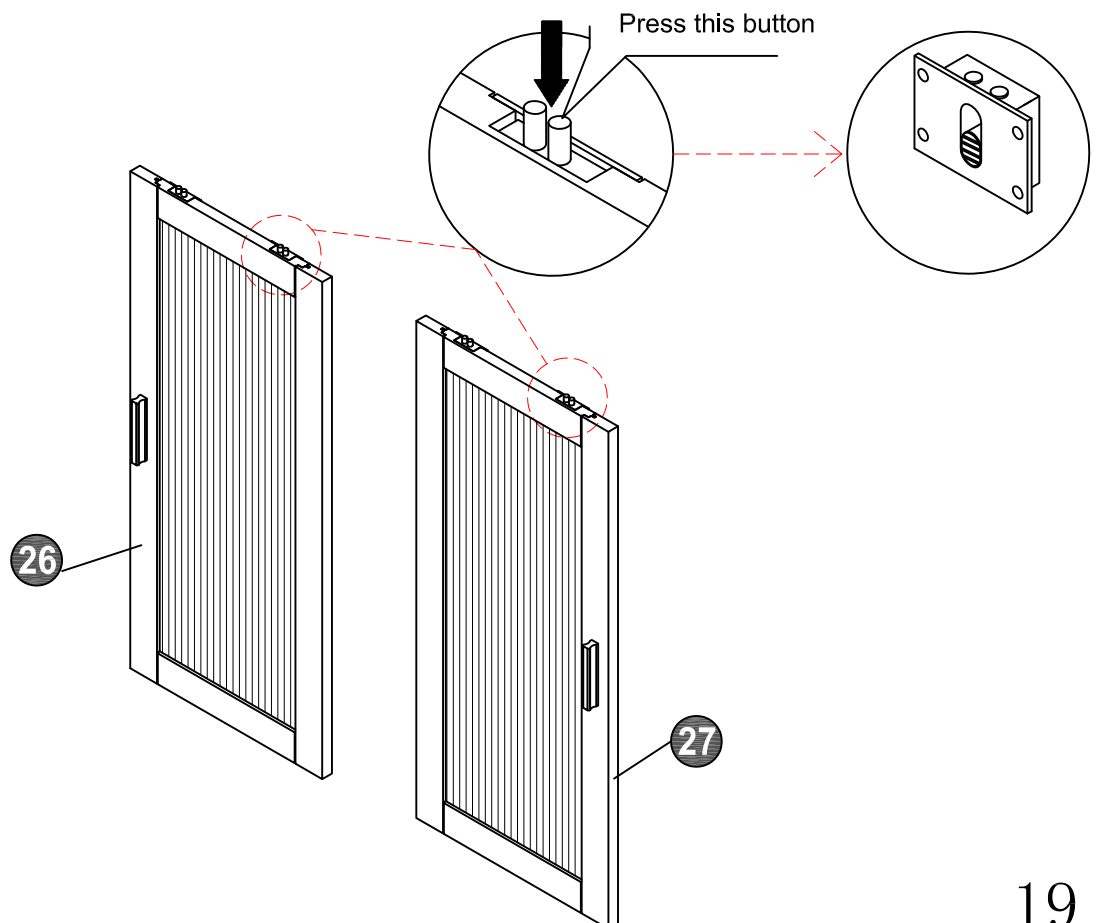


Assembly Instructions

Step 25

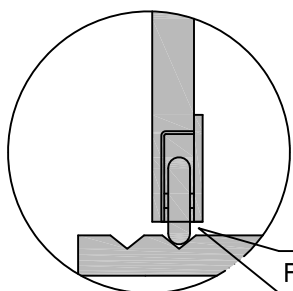
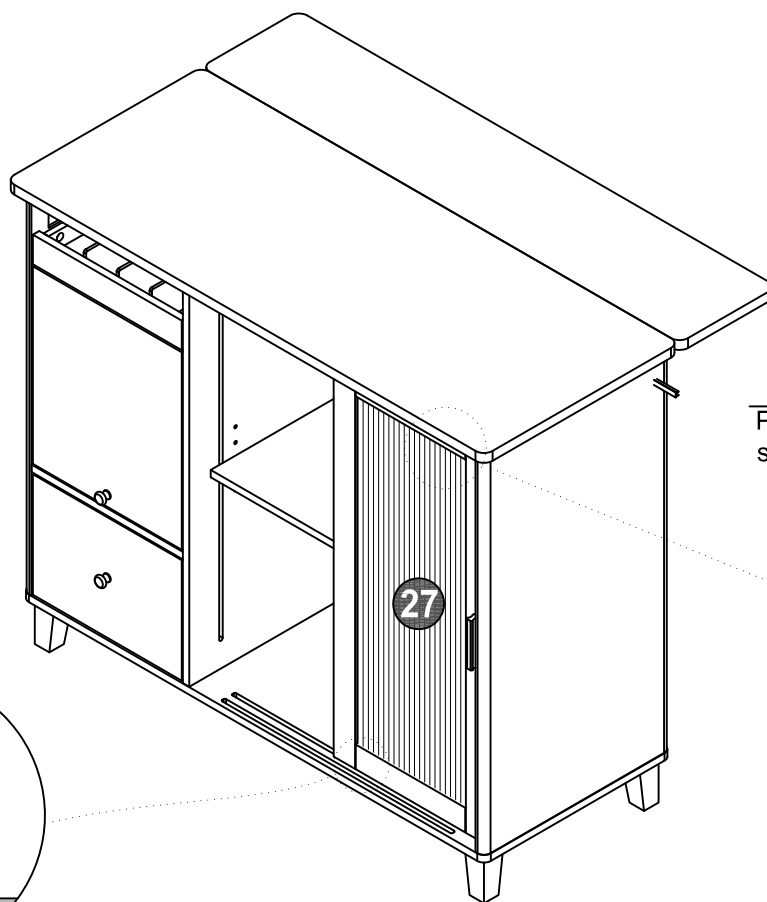


Step 26

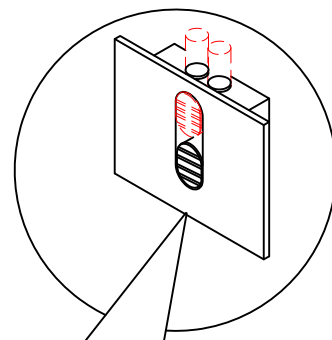


Assembly Instructions

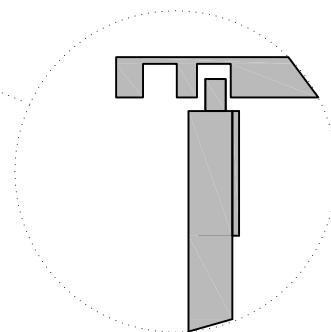
Step 27



First put the wheels in the Article 2 chute

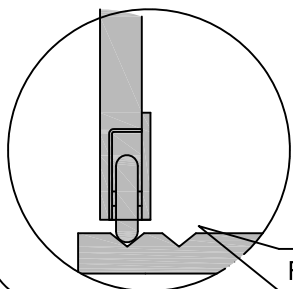
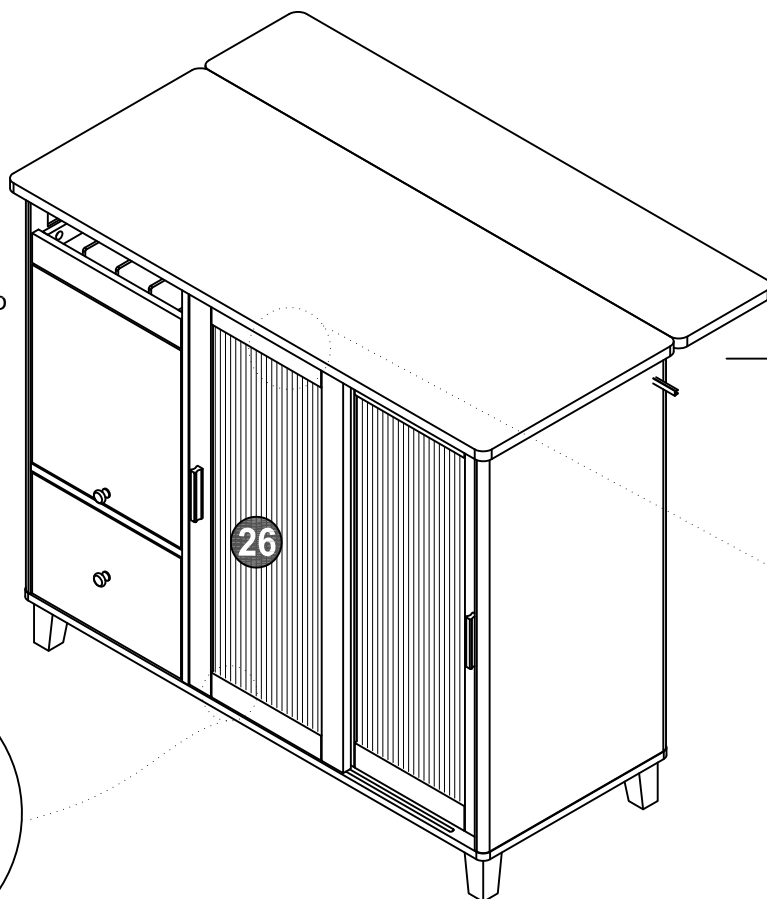
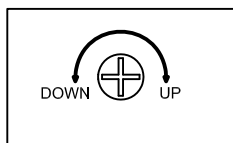


Press this button and the guide rod will slide into Article 2 the slot

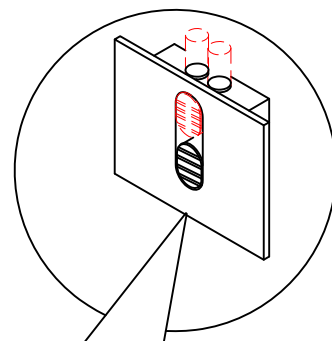


Step 28

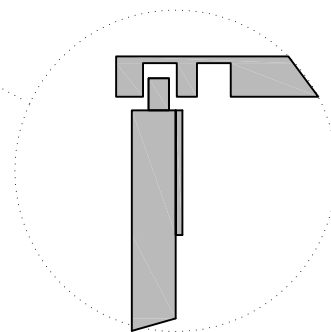
When you think the door is too loose or too tight, you can rotate the screw behind the wheel to adjust it, as shown in the following figure.



First put the wheels in the Article 1 chute

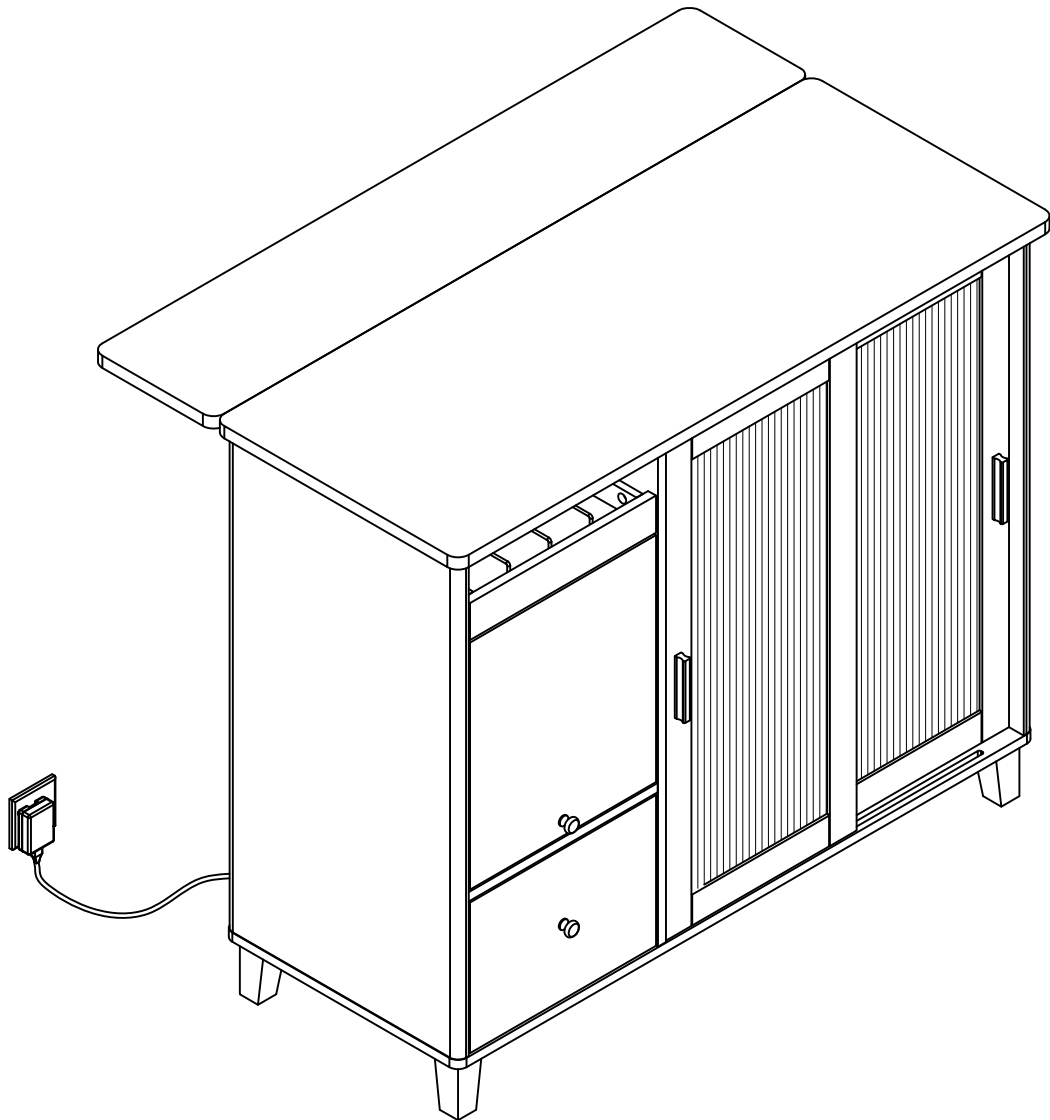


Press this button and the guide rod will slide into Article 1 the slot



Assembly Instructions

Step 29



Instructions for turning on the LED light: Insert the USB interface into the power adapter interface and connect the power adapter to the home power outlet.

