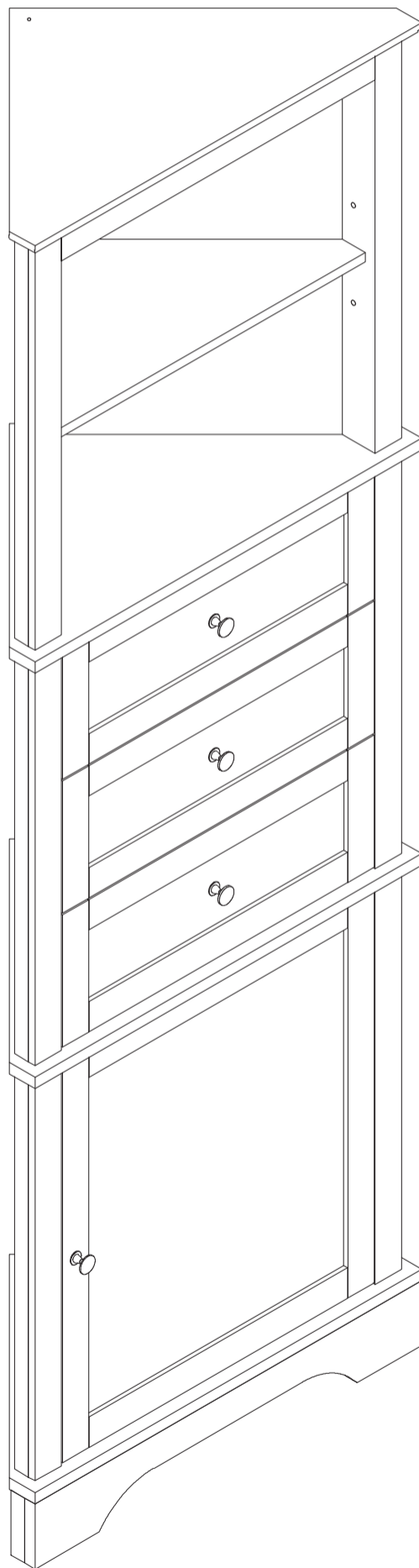
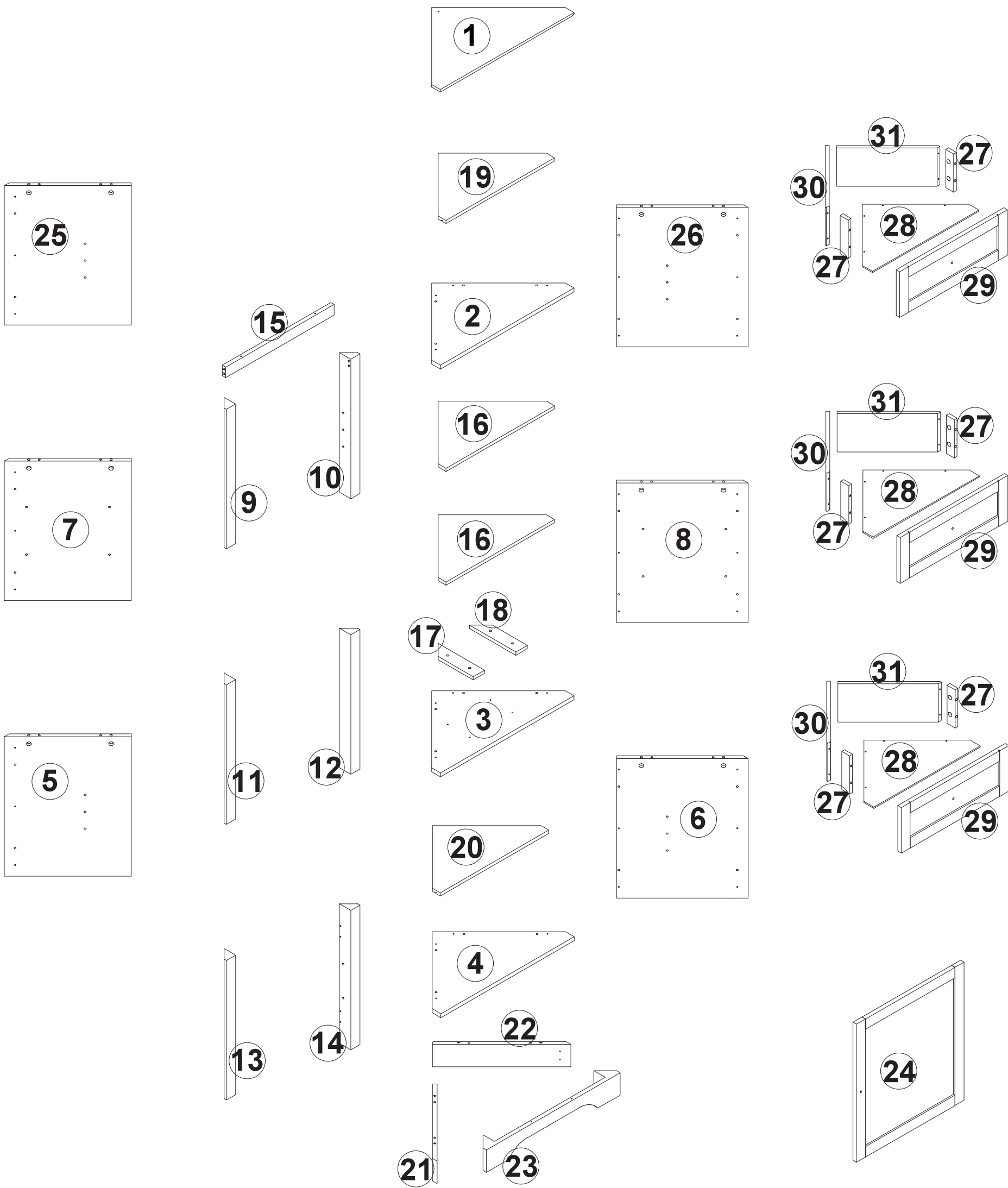
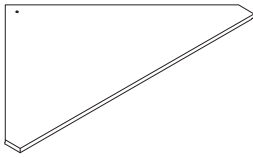
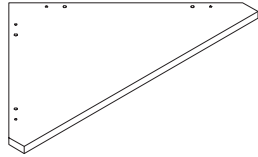
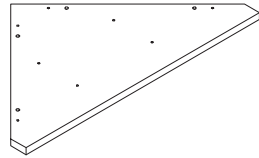
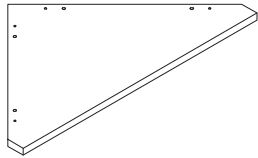
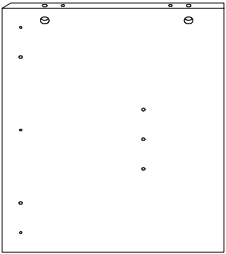
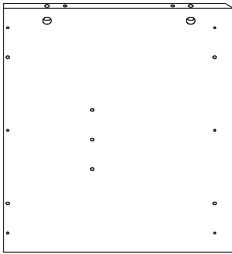
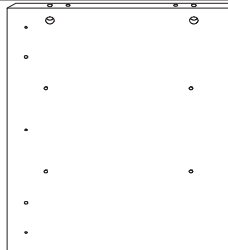
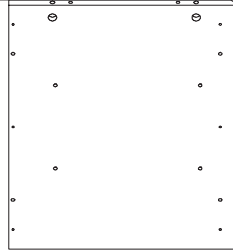



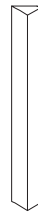


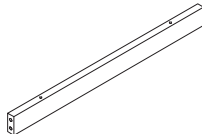
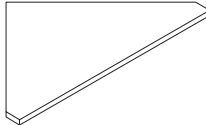
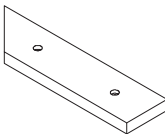
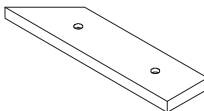
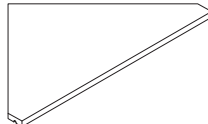
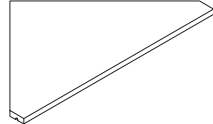


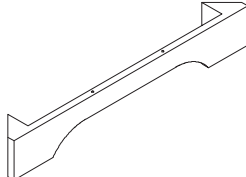
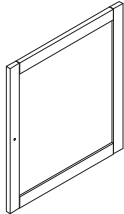
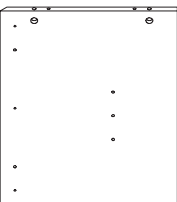
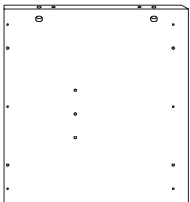

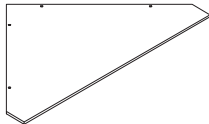
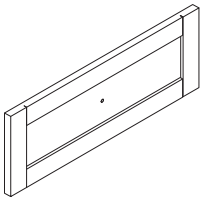


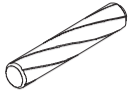
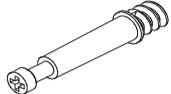

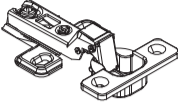
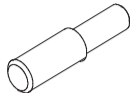
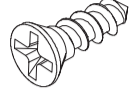


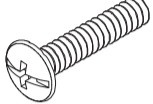


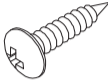
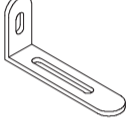
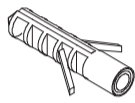
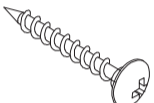



ASSEMBLY INSRTRUCTION

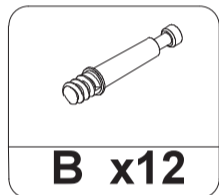
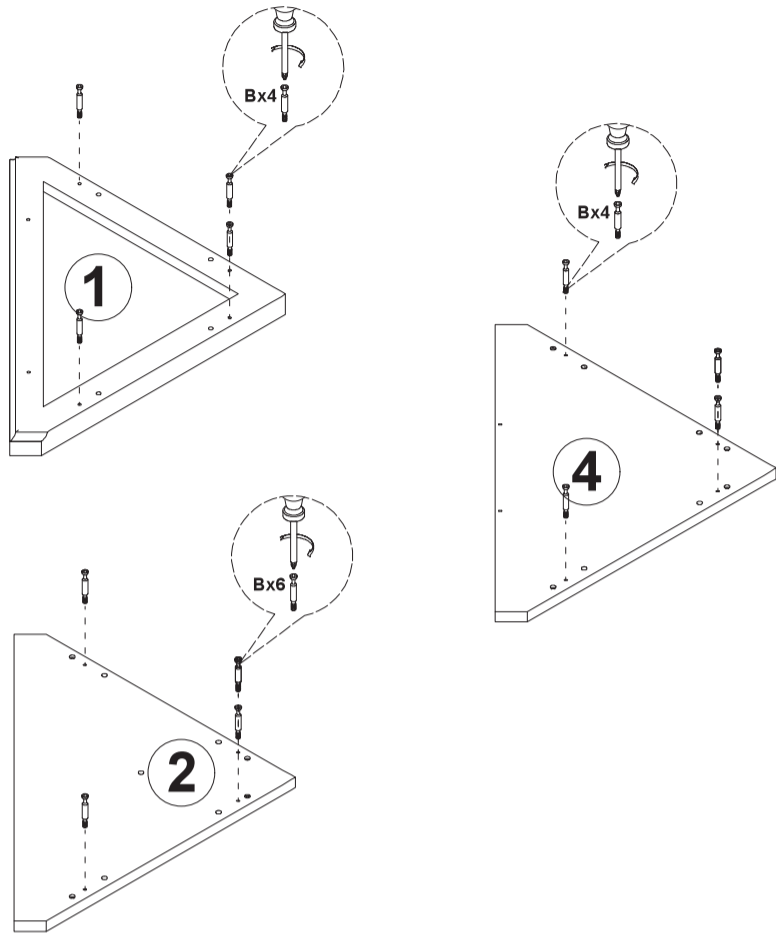




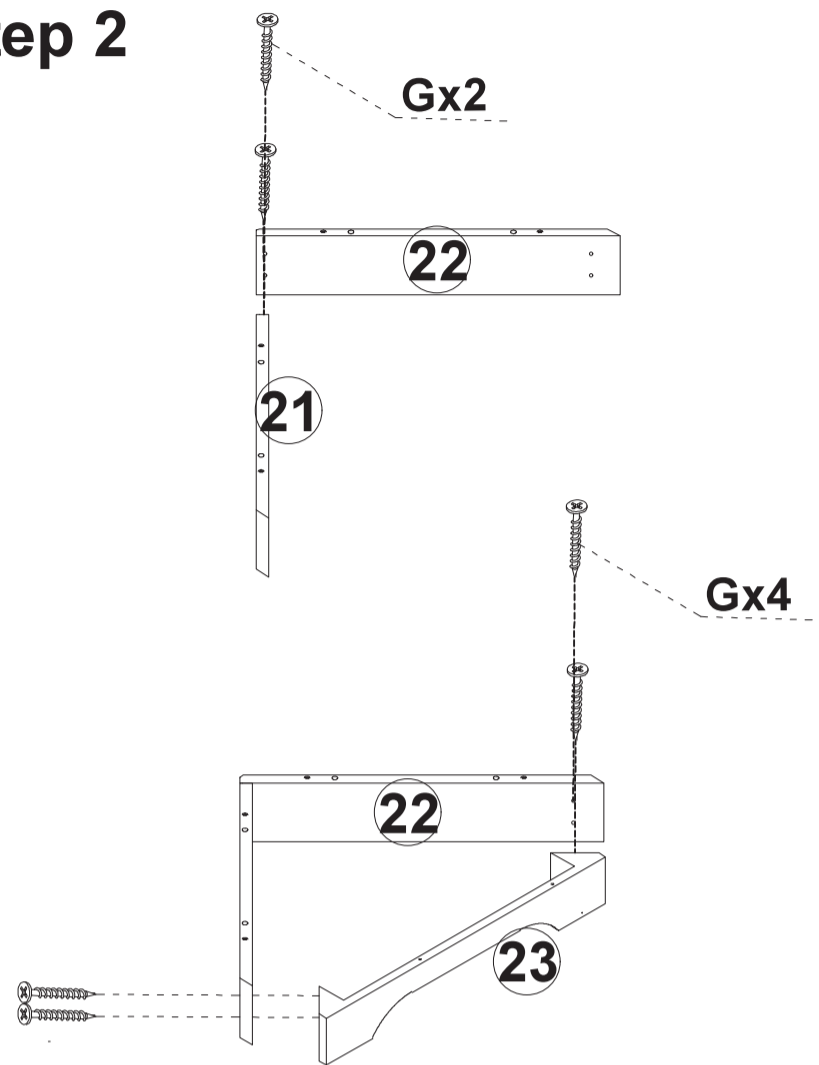
			
① x 1	② x 1	③ x 1	④ x 1
			
⑤ x 1	⑥ x 1	⑦ x 1	⑧ x 1
			
⑨ x 1	⑩ x 1	⑪ x 1	⑫ x 1
			
⑬ x 1	⑭ x 1	⑮ x 1	⑯ x 2
			
⑰ x 1	⑱ x 1	⑲ x 1	⑳ x 1
			
㉑ x 1	㉒ x 1	㉓ x 1	㉔ x 1
			
㉕ x 1	㉖ x 1	㉗ x 6	㉘ x 3
			
㉙ x 3	㉚ x 3	㉛ x 3	

					
Φ6x30mm A x 60+3	B x 28+2	C x 28+2	D x 2	E x 8+1	Φ4x14mm F x 8+1
					
Φ4x35mm G x 64+3	Hx3	Φ4x16mm I x 4	J x 4	Φ4x25mm K x 16+1	Φ4x12mm L x 1
					
M x 1	N x 1	Φ4x45mm O x 4	P x 6		

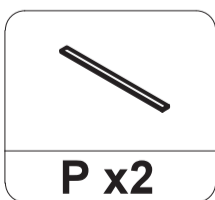
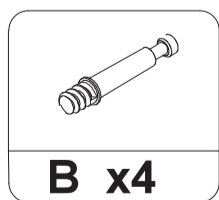
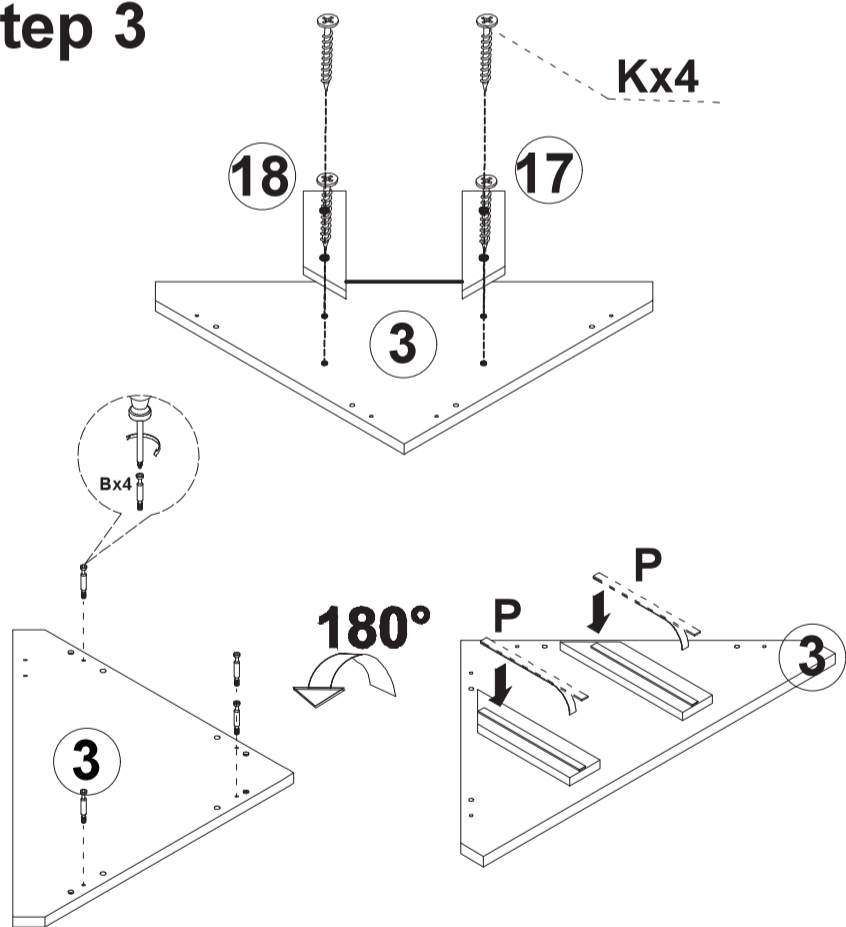
step 1



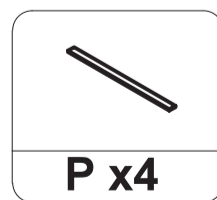
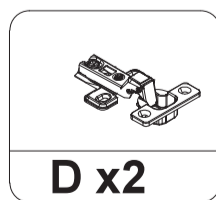
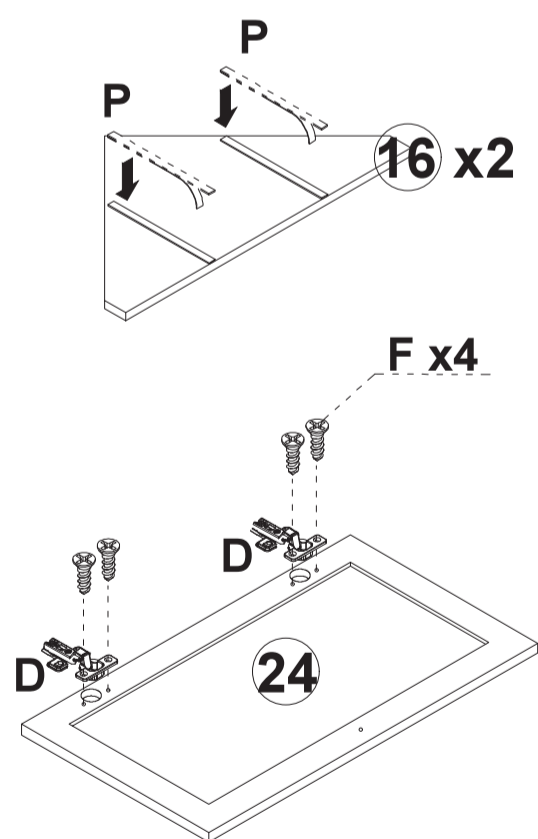
step 2



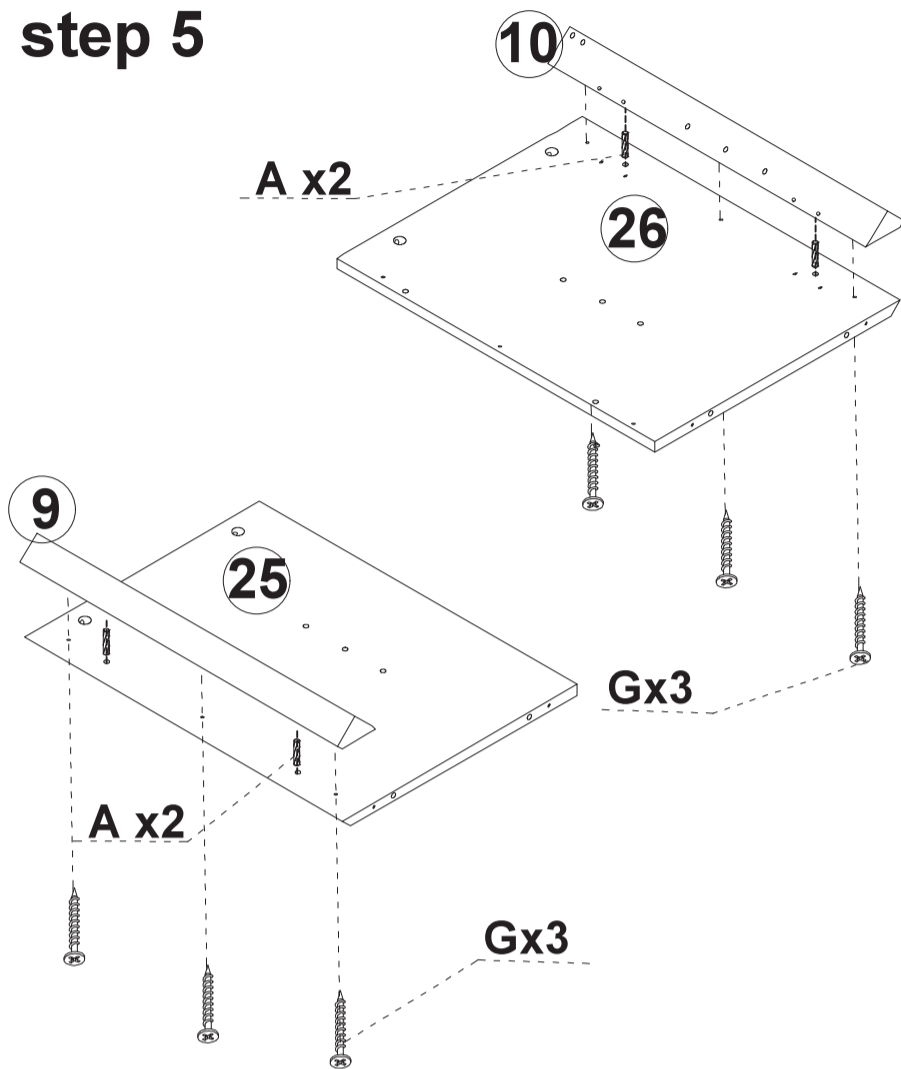
step 3



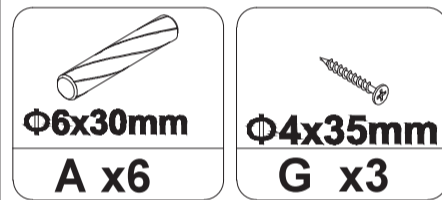
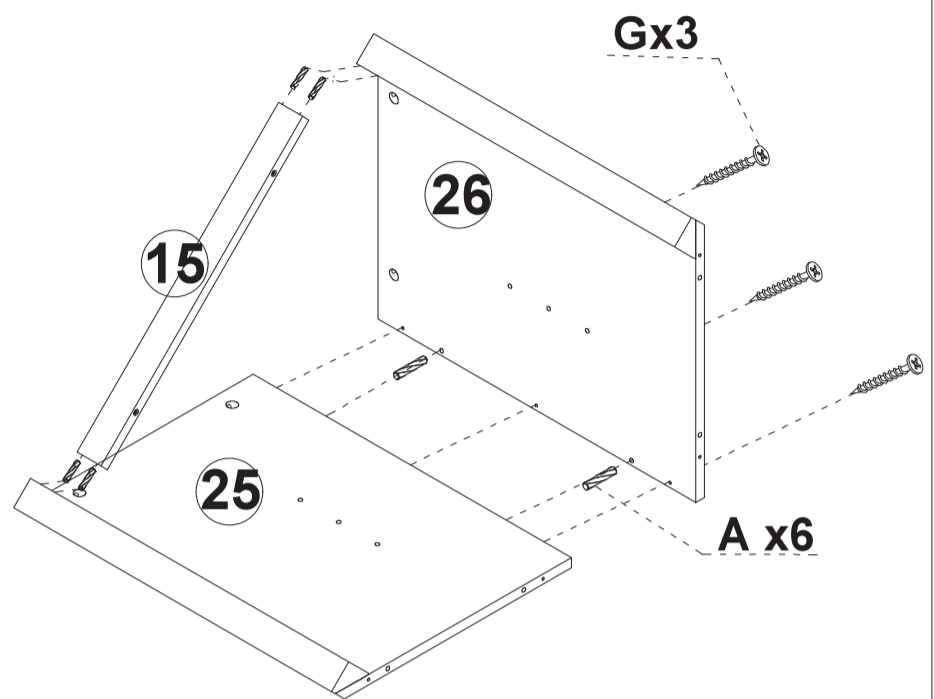
step 4



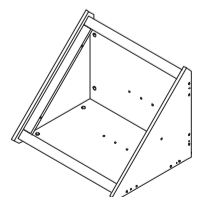
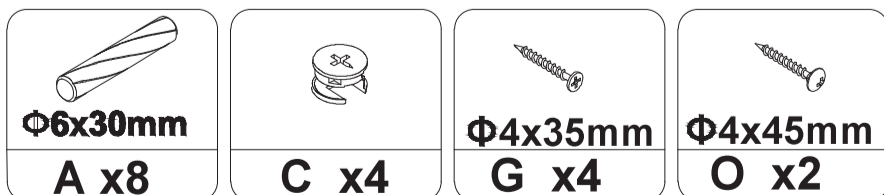
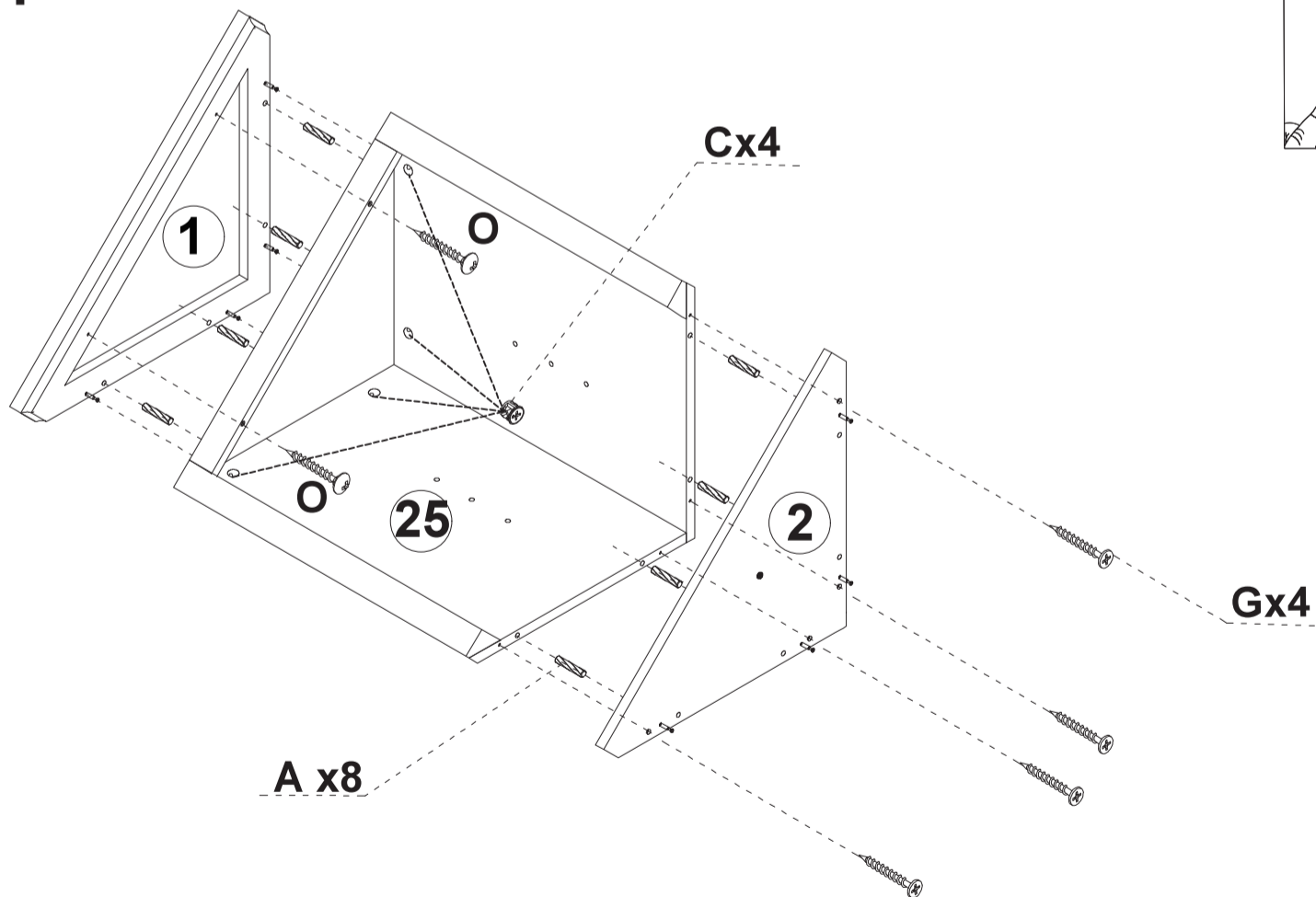
step 5



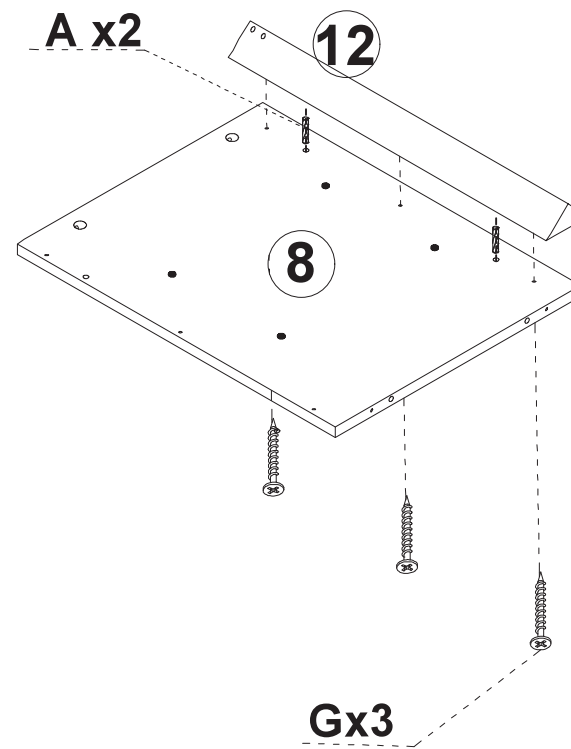
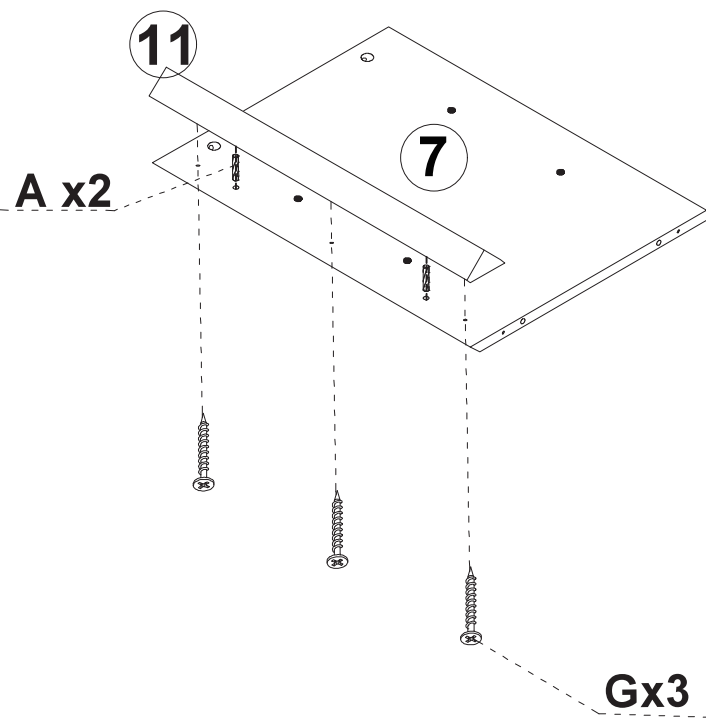
step 6



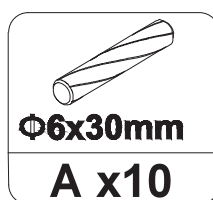
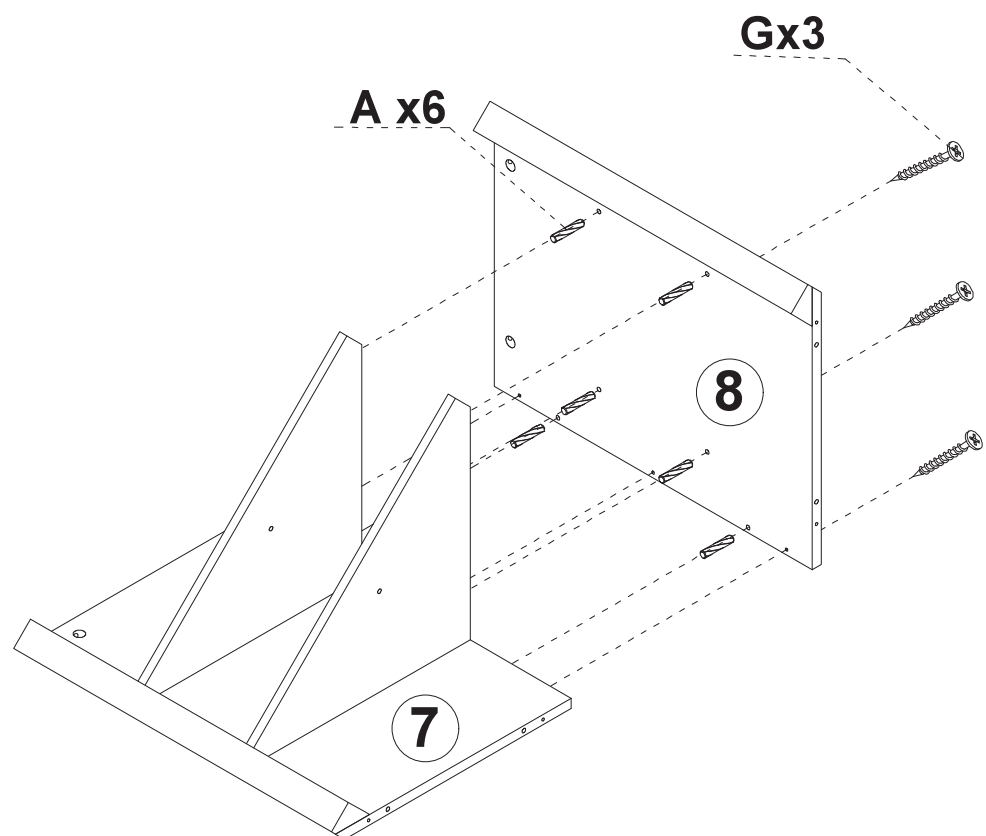
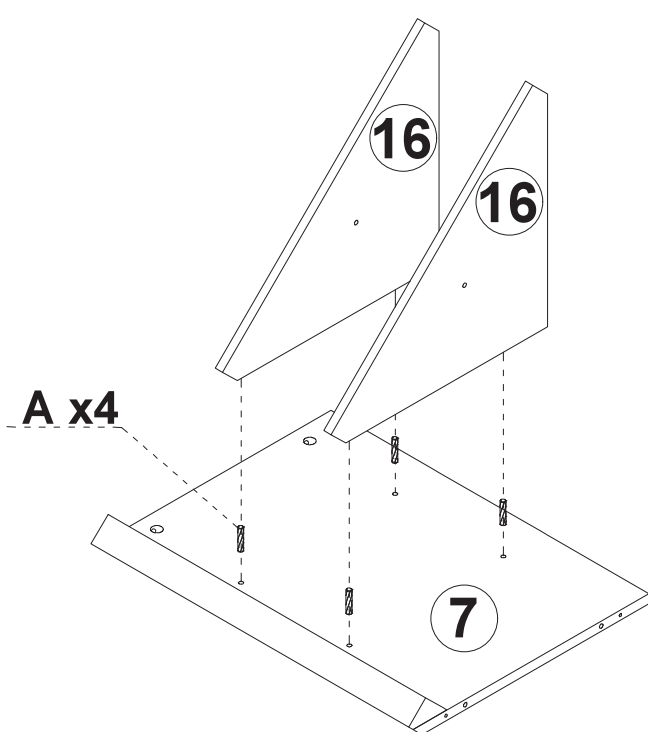
step 7



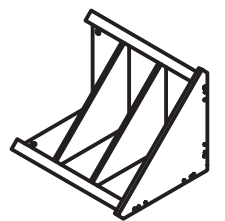
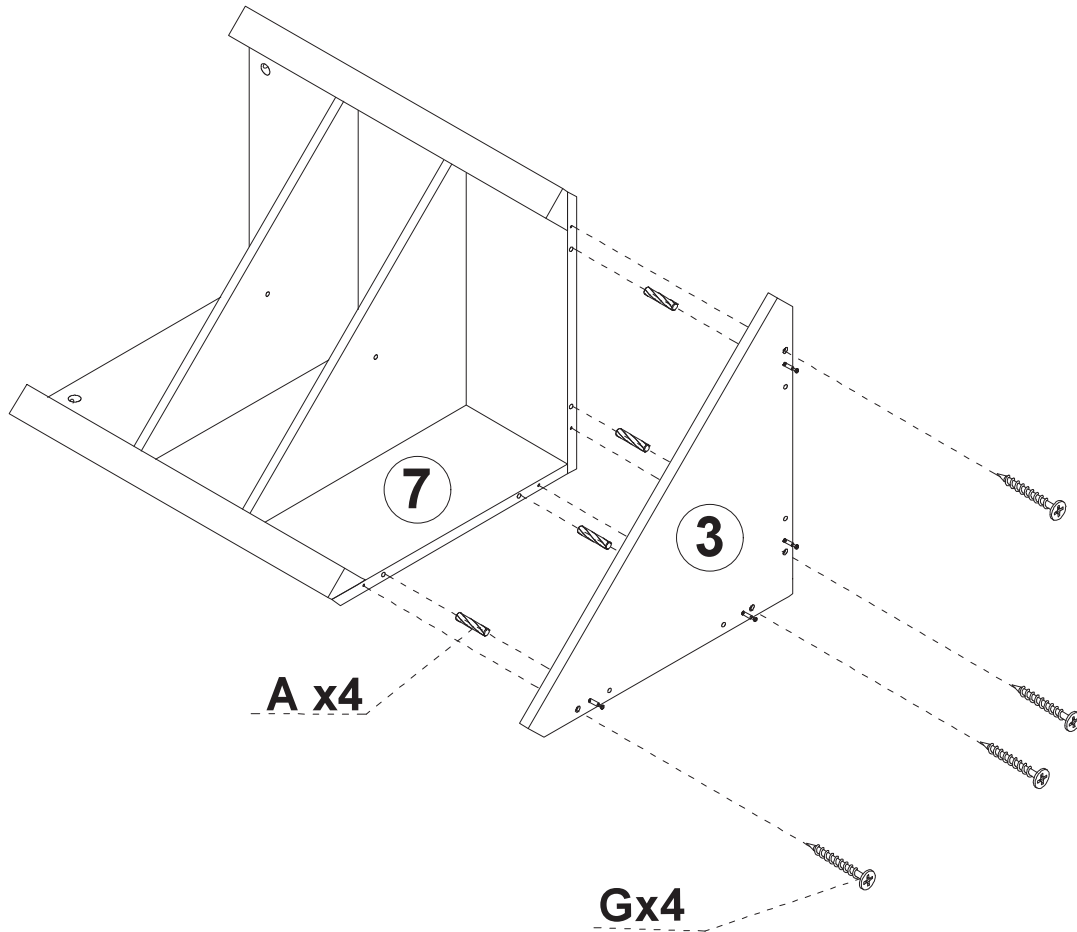
step 8



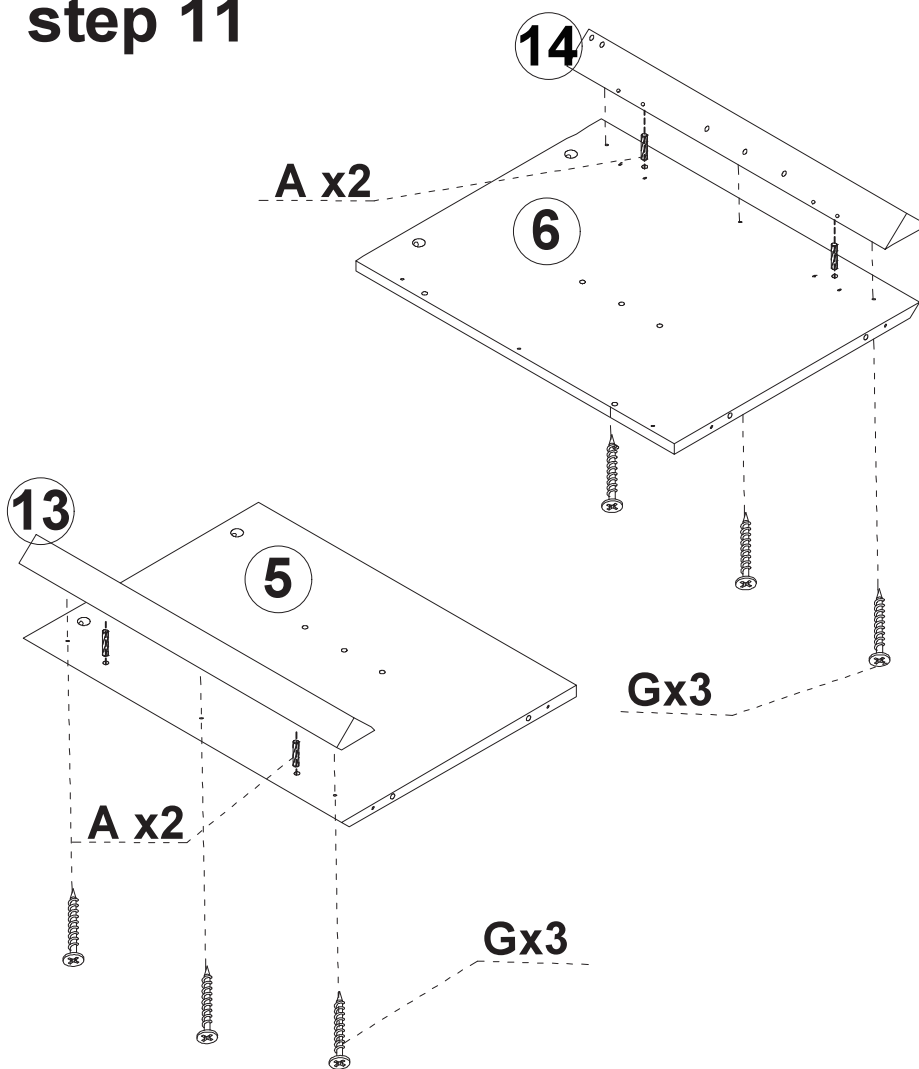
step 9



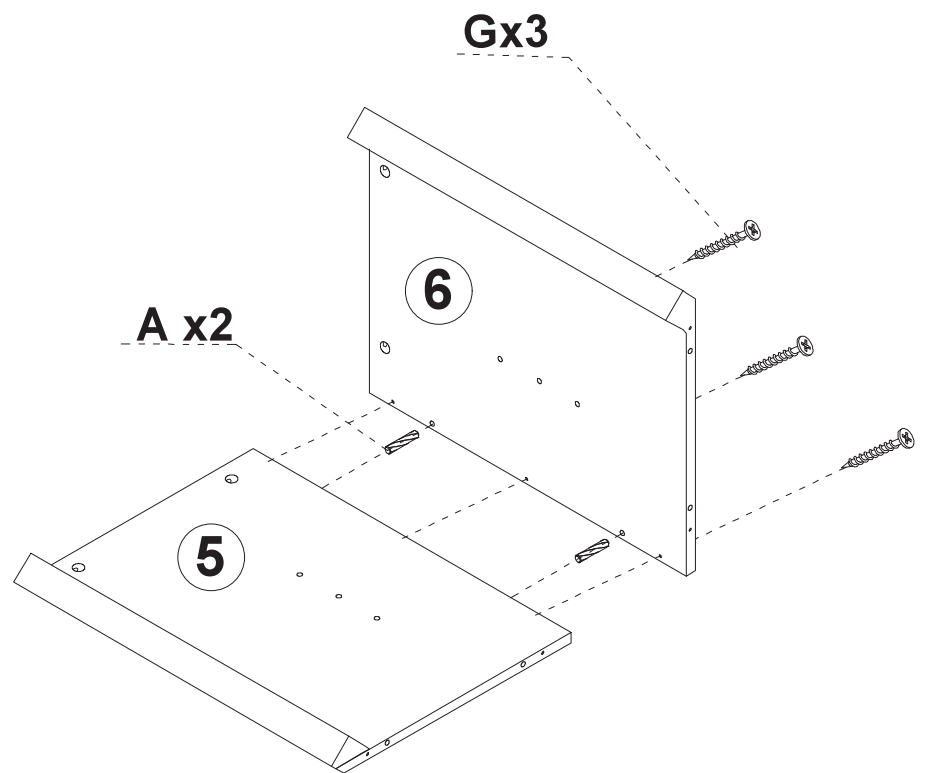
step 10



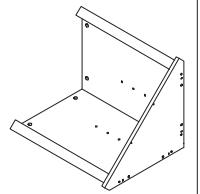
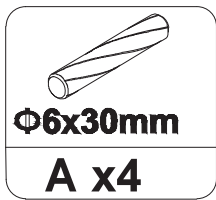
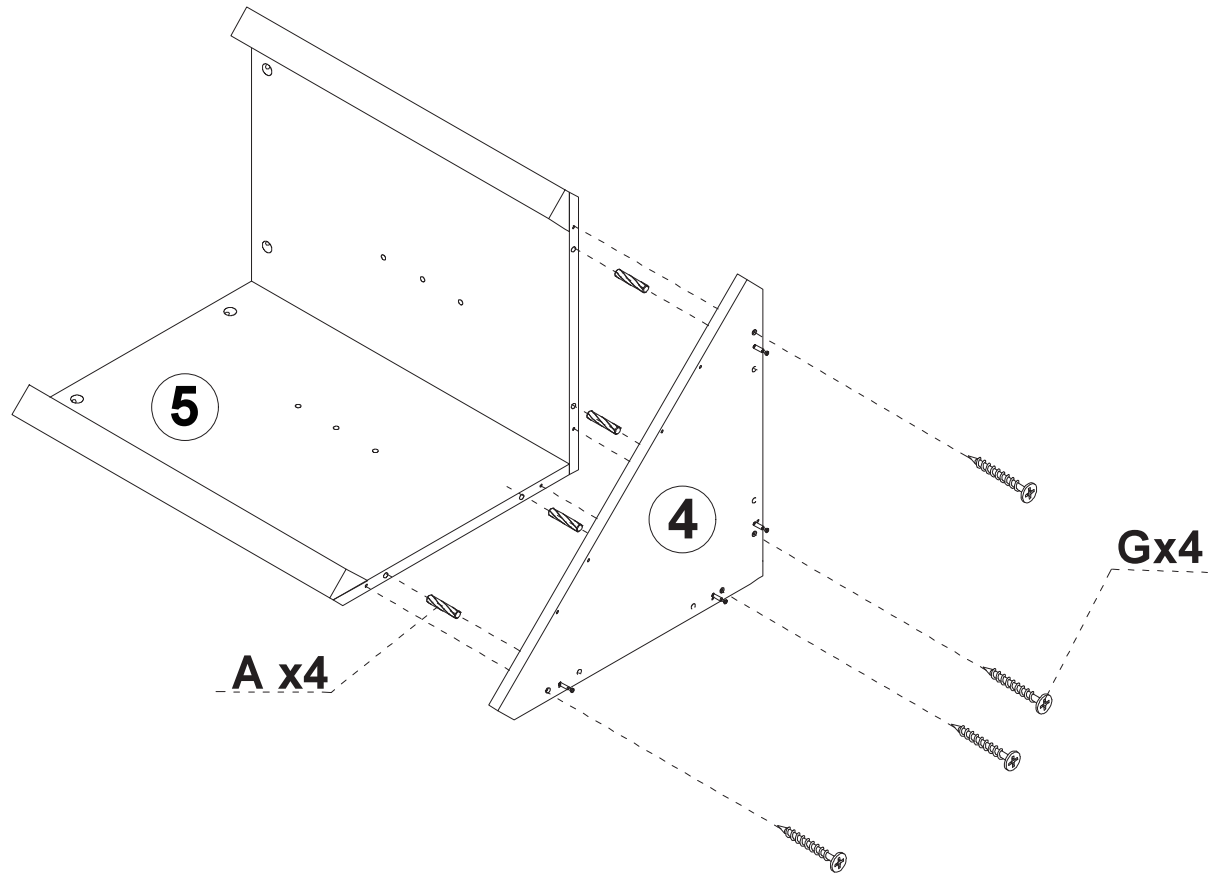
step 11



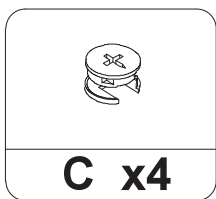
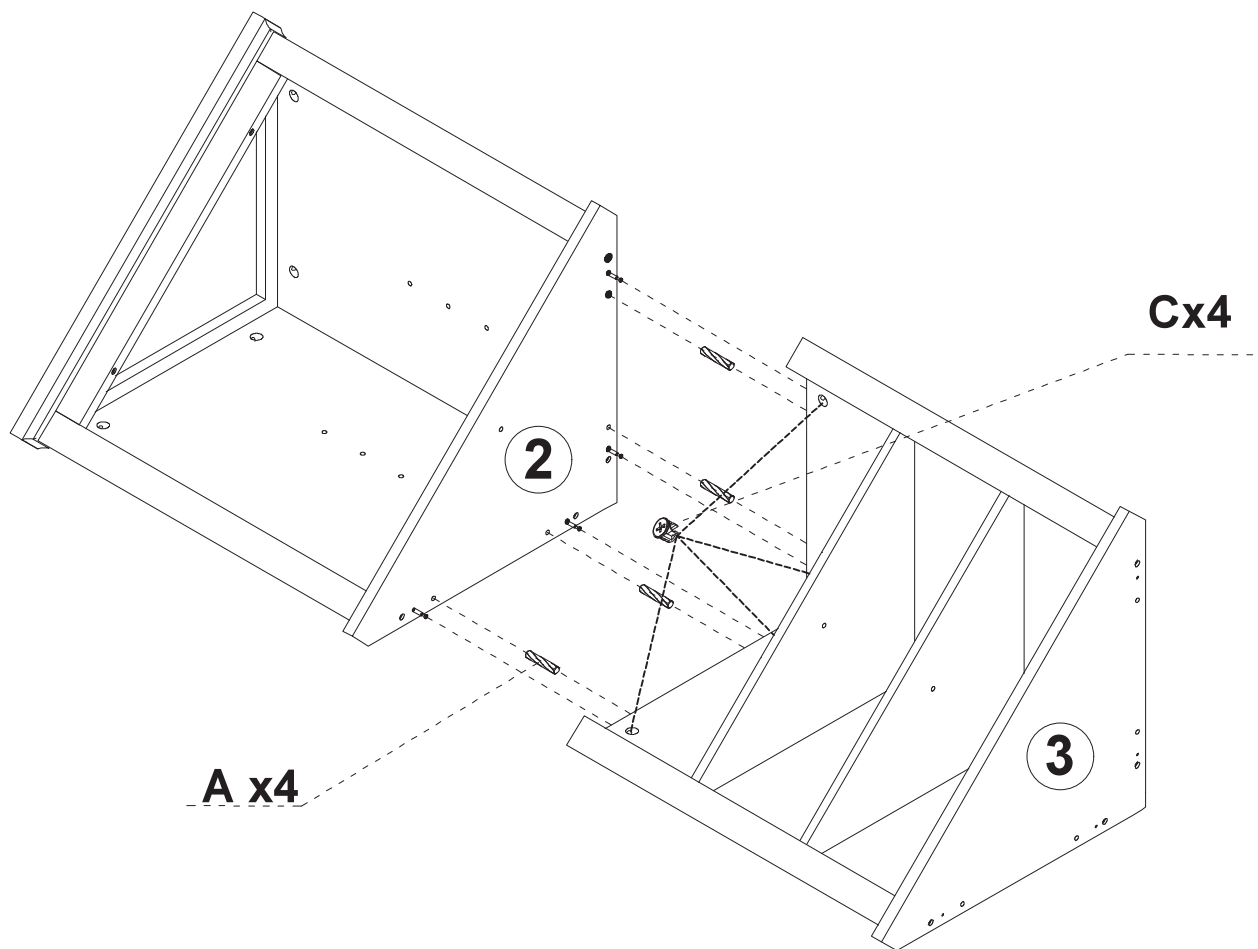
step 12



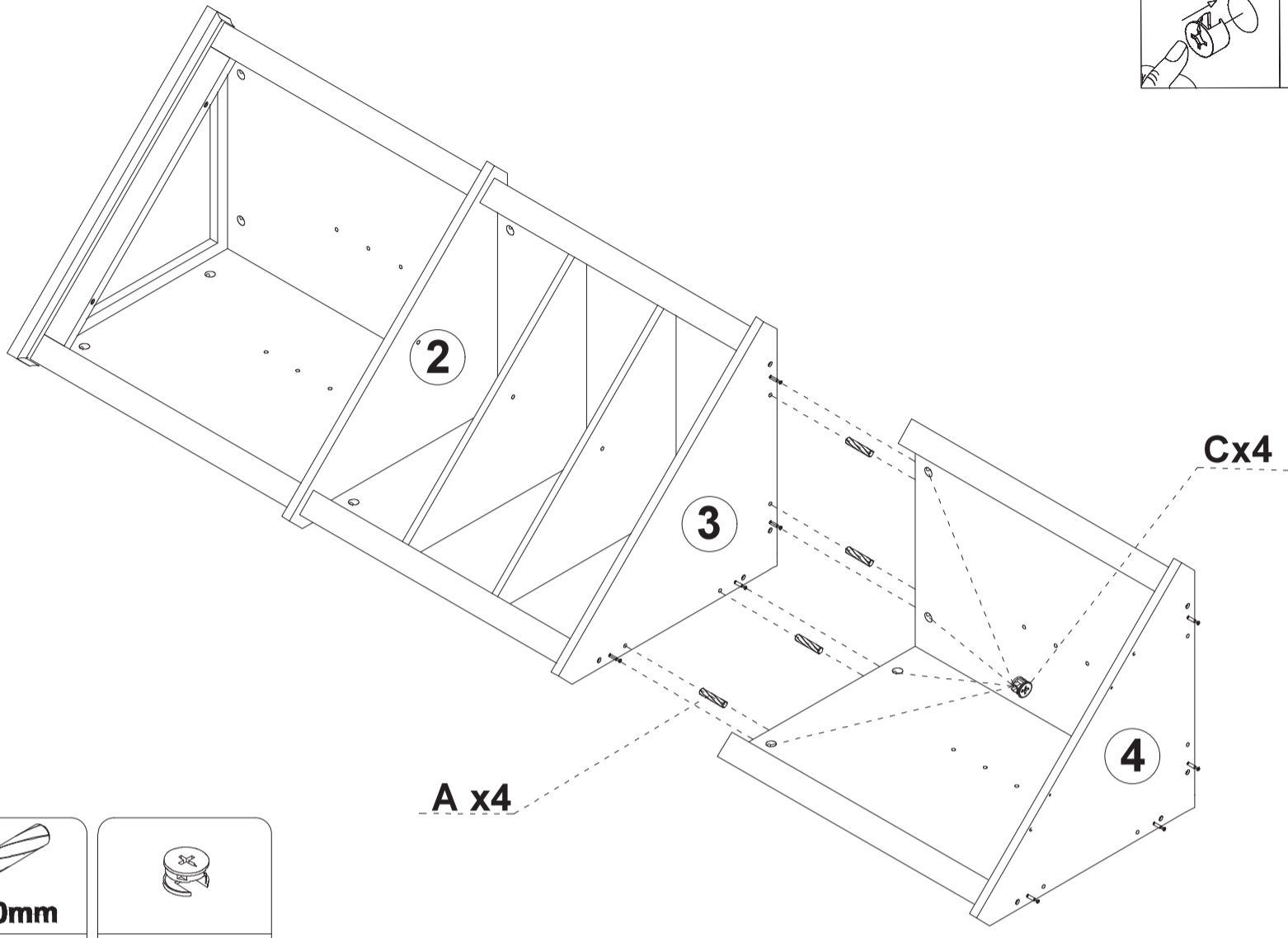
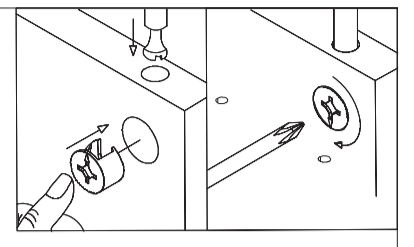
step 13



step 14



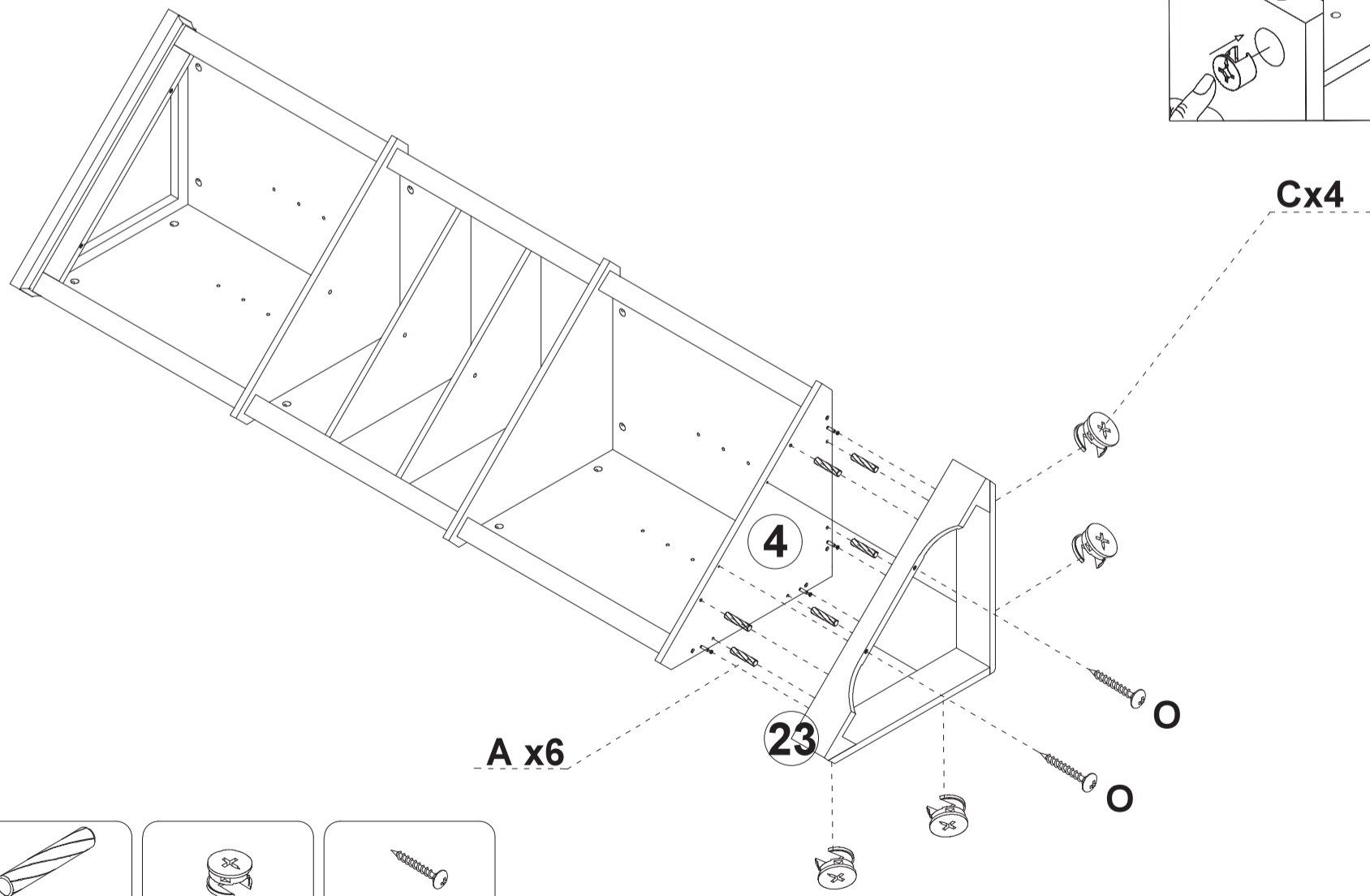
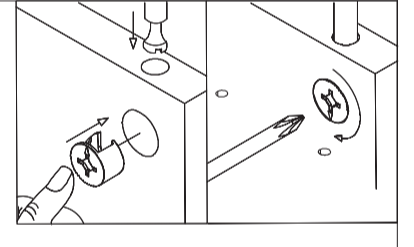
step 15



$\Phi 6 \times 30 \text{mm}$
A x4

C x4

step 16

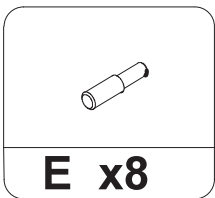
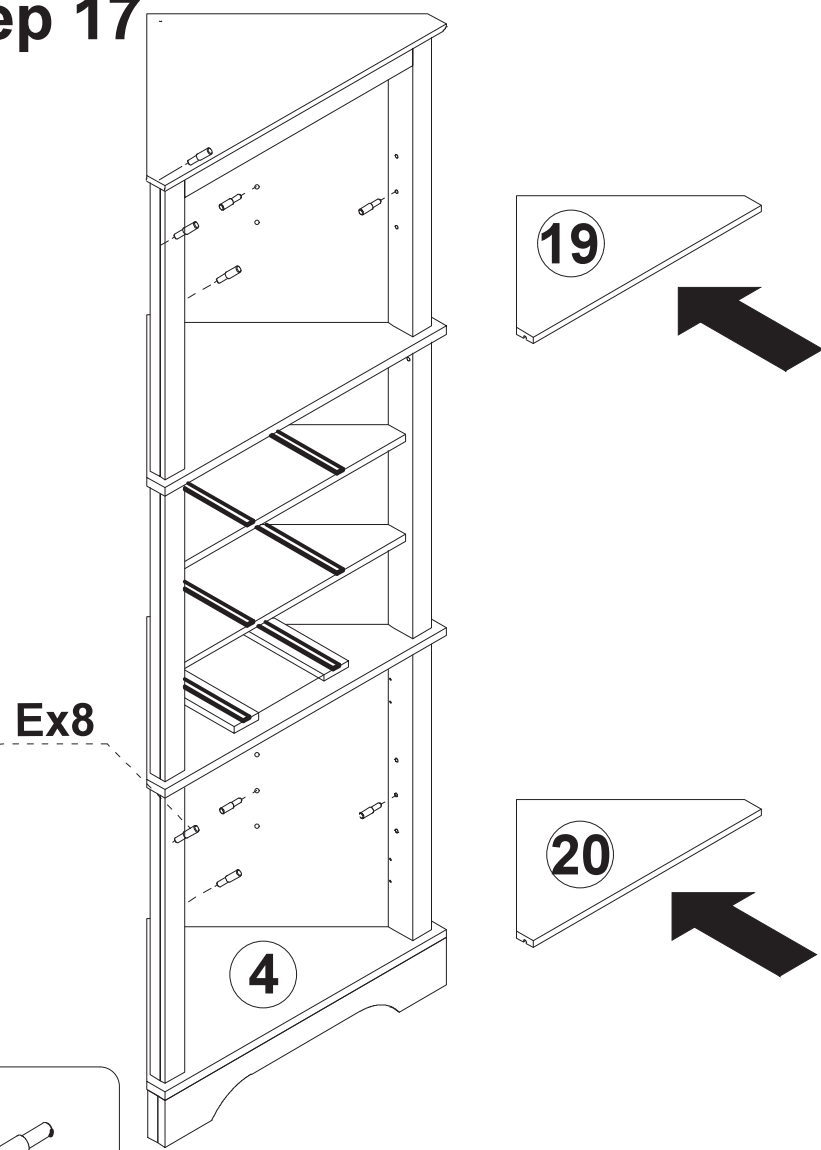


$\Phi 6 \times 30 \text{mm}$
A x6

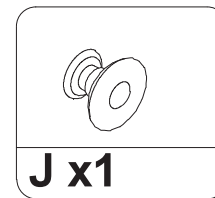
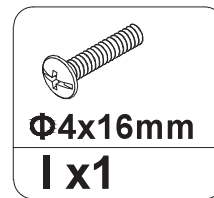
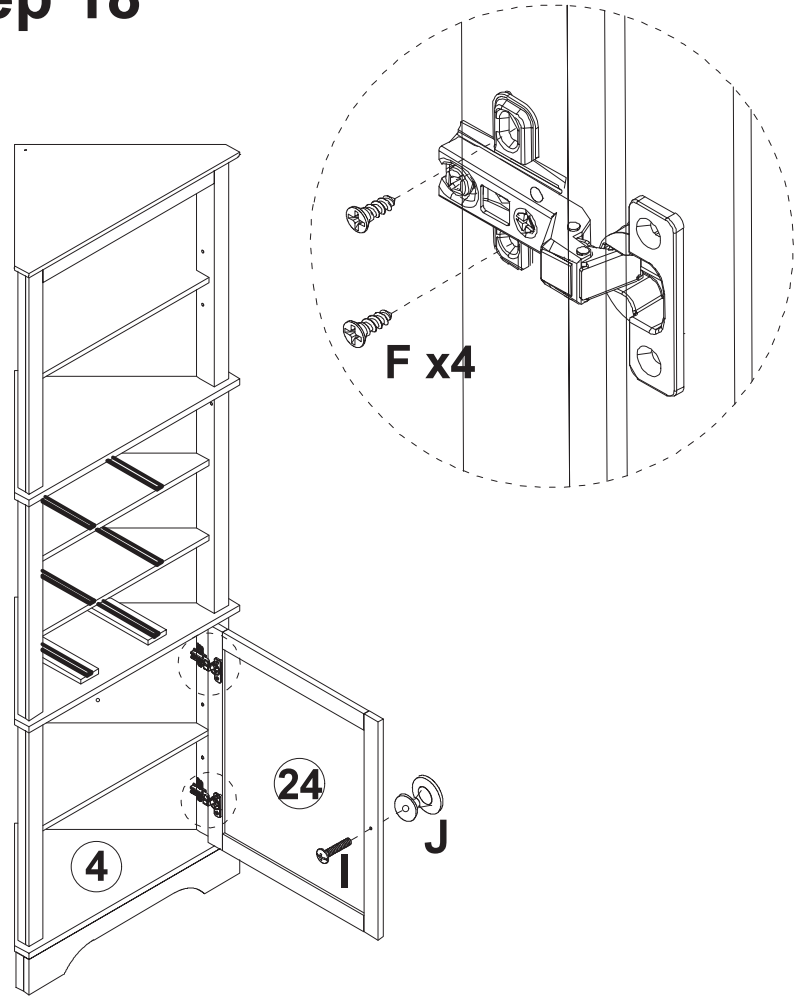
C x4

$\Phi 4 \times 45 \text{mm}$
O x2

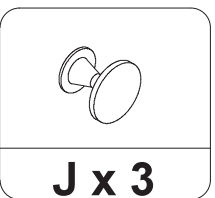
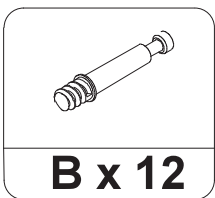
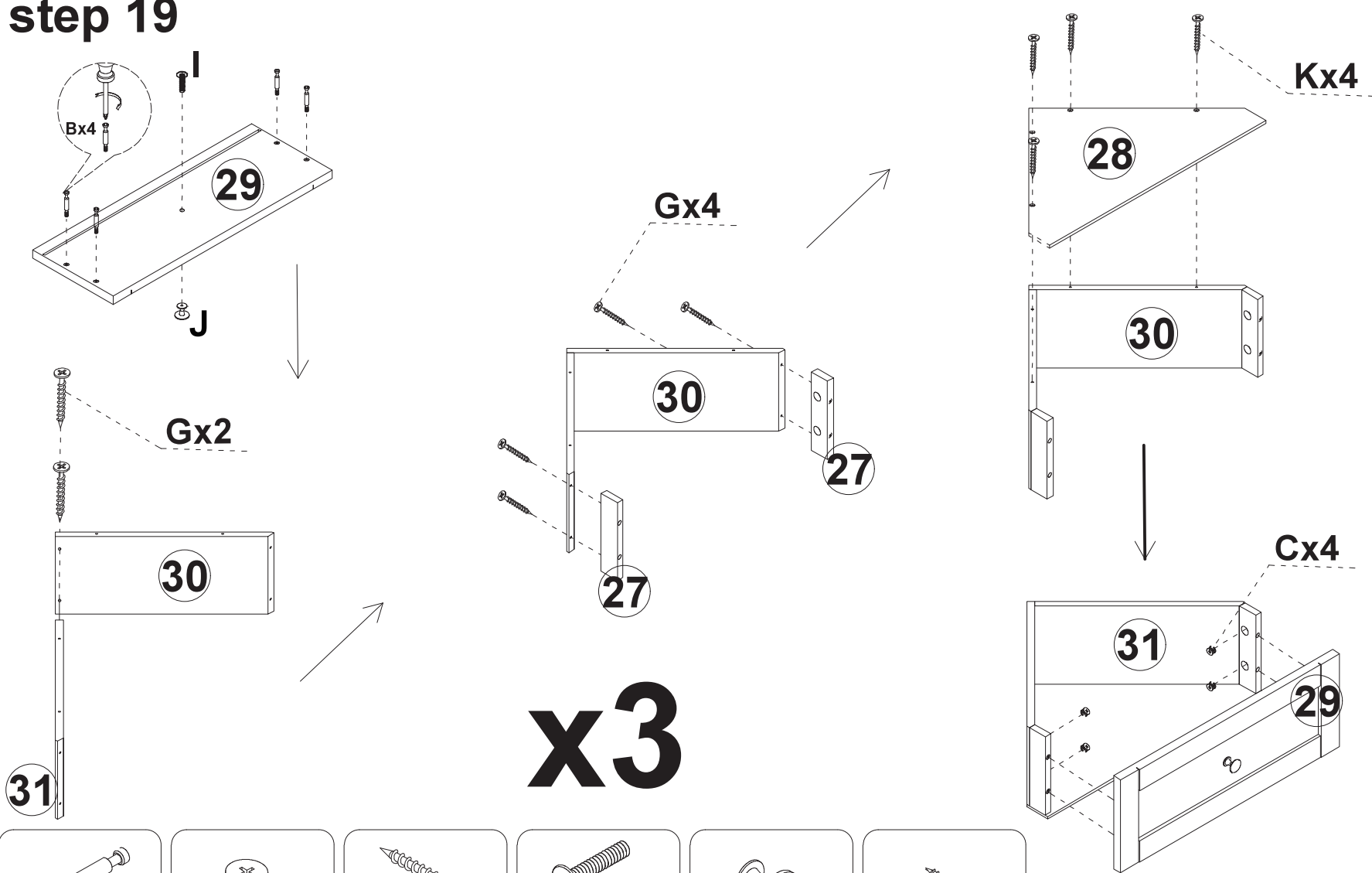
step 17



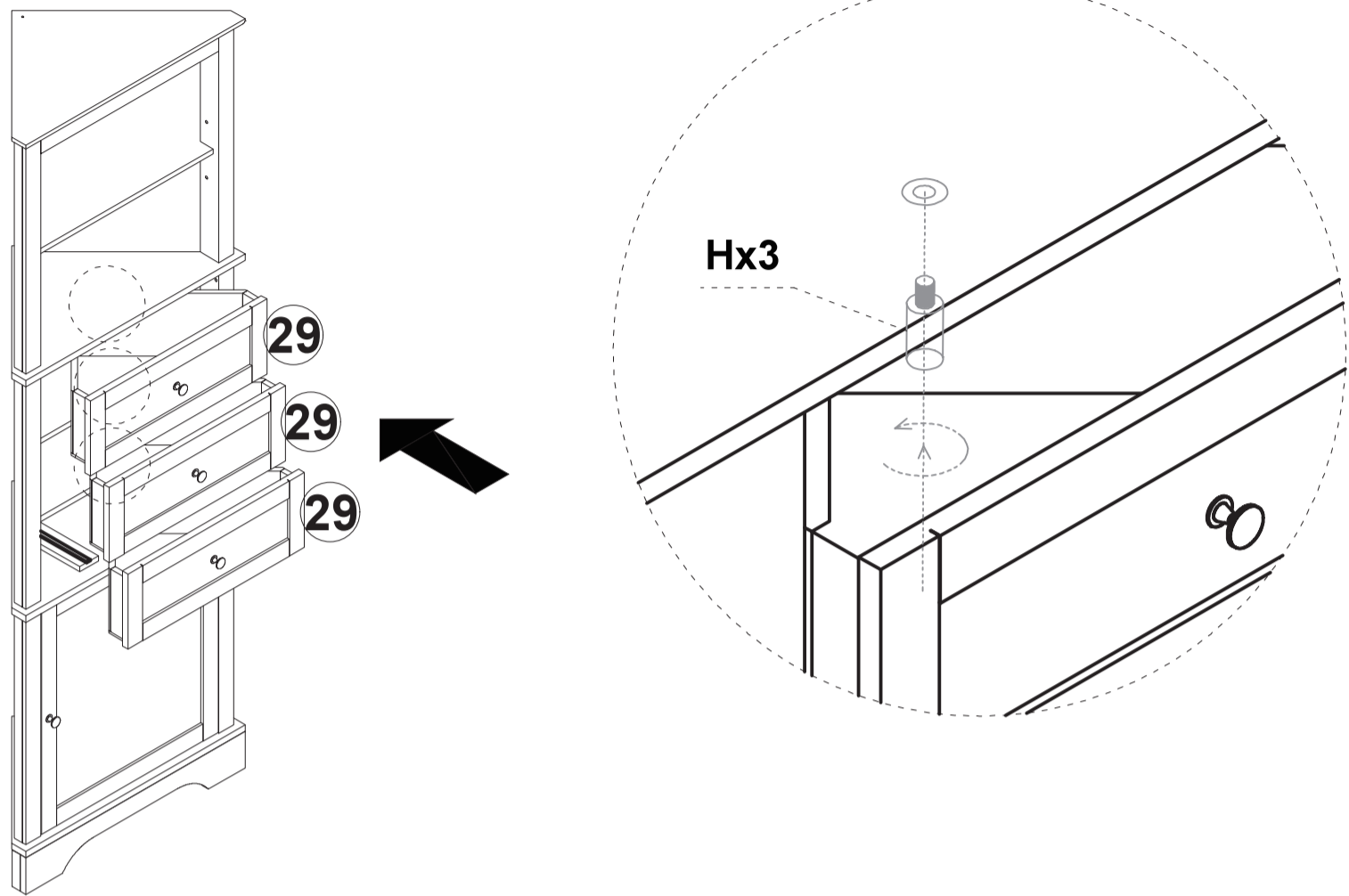
step 18



step 19



step 20



step 21

