



# Safety and Care Advice

**Important – Please read these instructions fully before starting assembly**

- Check you have all the components and tools listed on the following pages.
- Remove all fittings from the plastic bags and separate them into their groups.
- Keep children and animals away from the work area, small parts could choke if swallowed.
- Make sure you have enough space to layout the parts before starting.

- During assembly do not stand or put weight on the product, this could cause damage.
- Assemble the item as close to its final position (in the same room) as possible.
- Assemble on a soft level surface to avoid damaging the unit or your floor.
- Parts of the assembly will be easier with 2 people.



power drill is set on a low torque setting.

- To reduce the likelihood of damaging your product please ensure that your

## Care and maintenance

- Only clean using a damp cloth and mild detergent, do not use bleach or abrasive cleaners.
- From time to time check that there are no loose screws on this unit.
- This product should not be discarded with household waste. Take to your local authority waste disposal centre.

## Handy Hints

- Assemble all parts and bolts loosely during assembly, only once the product is complete should you fully tighten the bolts
- Regularly check and ensure That all bolts and fittings are tightend properly.

**WARNING**  
**In order to help prevent overturning – please follow these instructions**



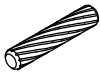




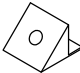

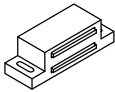



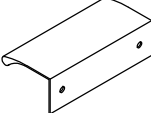


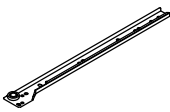
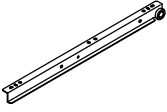
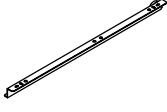
To help prevent product toppling over please follow the below steps:-

- Use the anti tip stap or wall fixing method provided (if applicable)
- Do not allow children to climb or hang on the furniture
- Do not open more than one drawer at a time
- Do not place heavy items in the top drawers
- Do not place heavy items on top of the furniture, unless the furniture has been designed for this purpose

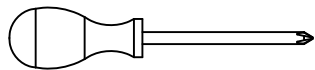
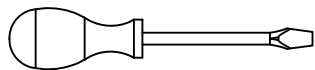
# Components - Fittings

Please check you have all the panels listed below

Note: The quantities below are the correct amount to complete the assembly. In some cases more fittings may be supplied than are required.

<p>(A) </p> <p>Cam Bolt x 28</p>	<p>(B) </p> <p>Cam lock x 28</p>	<p>(C) </p> <p>Dowel x 20</p>	<p>(D) </p> <p>3*12mm Screw x 62</p>
<p>(E) </p> <p>4*35mm Screw x 24</p>	<p>(F) </p> <p>6*30mm Screw x 11</p>	<p>(G) </p> <p>4*12mm Screw x 8</p>	<p>(H) </p> <p>Plastic corner support x 4</p>
<p>(I) </p> <p>3*14mm Screw x 6</p>	<p>(J) </p> <p>Magnetic Door Catcher x 1</p>	<p>(K) </p> <p>Metal Plate x 2</p>	<p>(L) </p> <p>Metal Pin x 4</p>
<p>(M) </p> <p>Shelf support pin x 4</p>	<p>(N) </p> <p>Handle x 6</p>	<p>(O) </p> <p>Allen key x 1</p>	<p>(CL) </p> <p>300mm runner x 4</p>
<p>(CR) </p> <p>300mm runner x 4</p>	<p>(DL) </p> <p>300mm runner x 4</p>	<p>(DR) </p> <p>300mm runner x 4</p>	

## Tools required

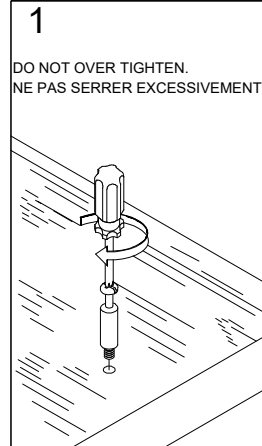


Phillips screwdriver  
(medium & large)

# Using Camlocks

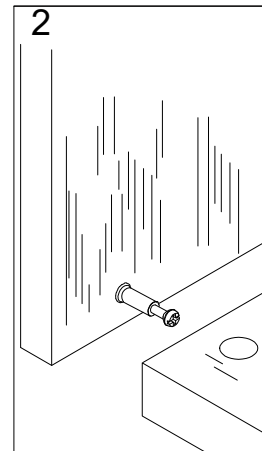
## Step 1

Connect the male camlock as directed in the assembly instructions using a screwdriver.



## Step 2

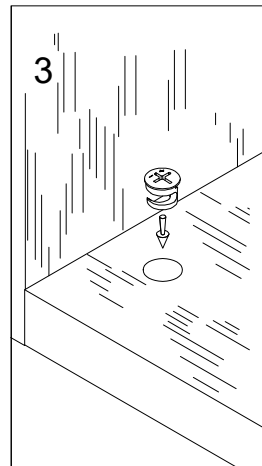
Push the male camlock into the entry hole.



## Step 3

Insert the female camlock as shown in the instruction.

Note: ensure that the arrow on the top of the camlock points towards the entry hole for the male camlock.

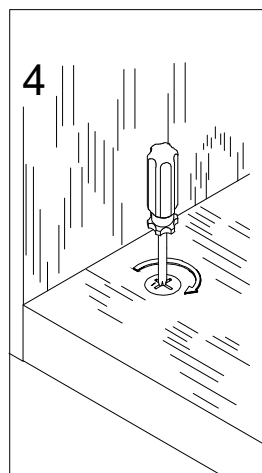


## Step 4

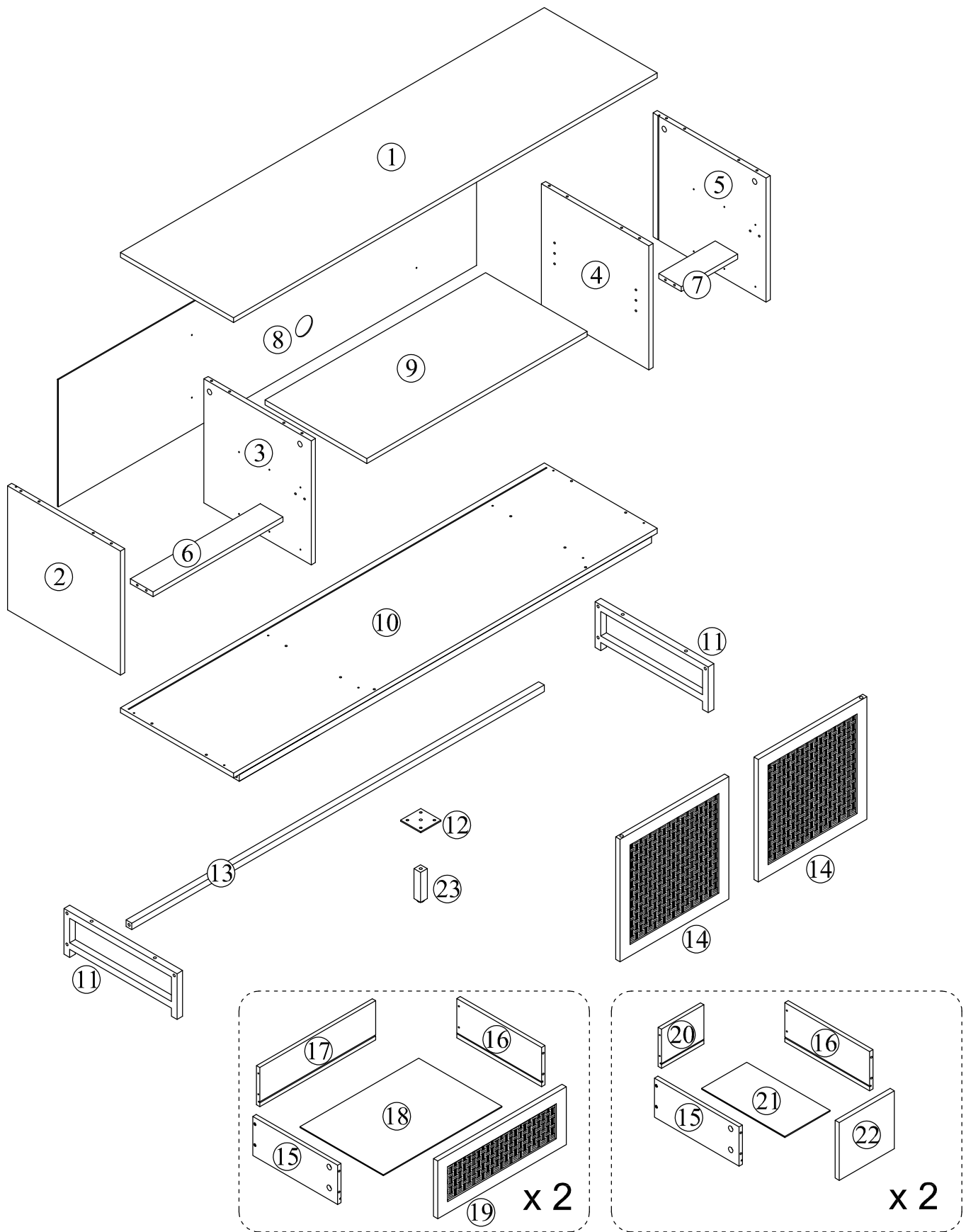
Turn the female camlock clockwise with a screwdriver.

You should feel a click when the camlock is locked in place.

The joint is now secure.

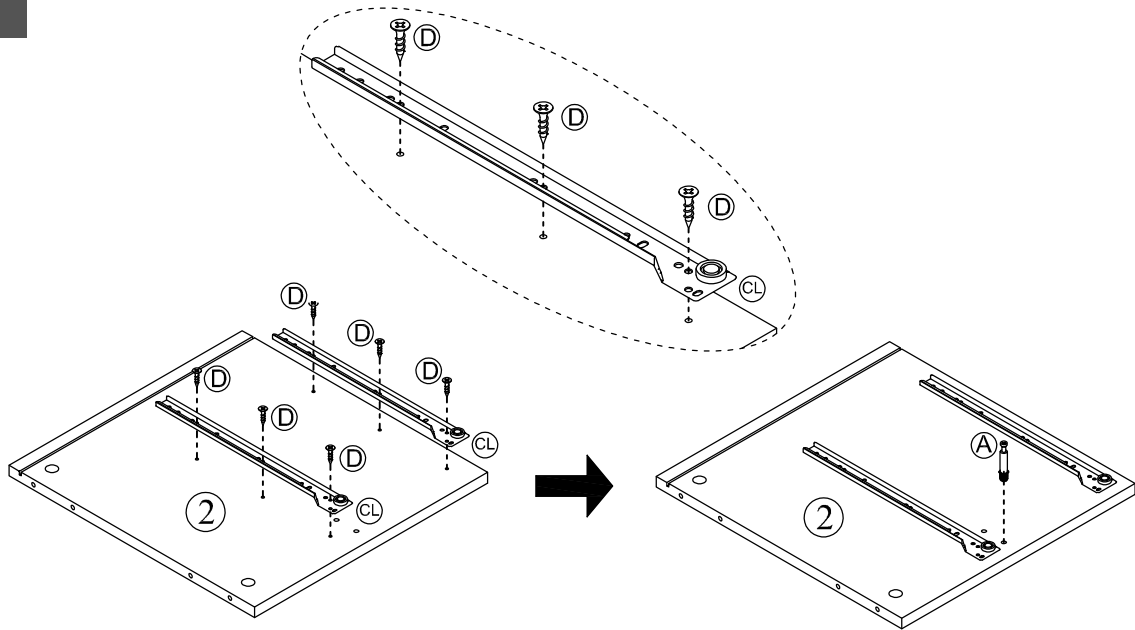


# Assembly Instructions

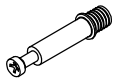


# Assembly Instructions

## Step 1



(A)



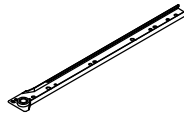
Cam Bolt x 1

(D)



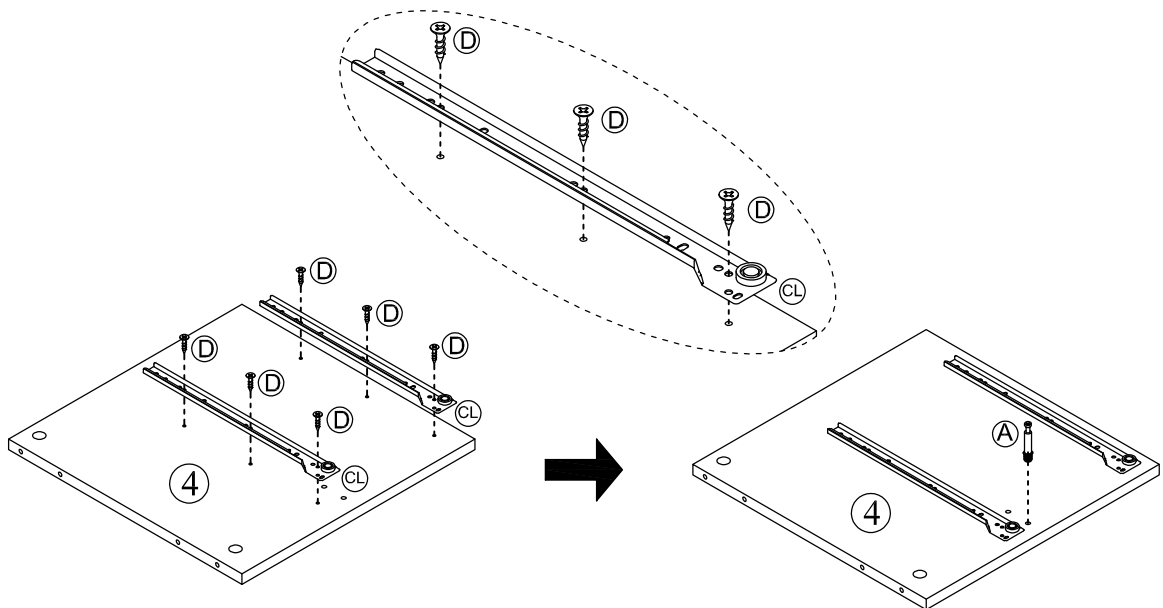
3\*12mm Screw x 6

(CL)

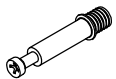


300mm runner x 2

## Step 2



(A)



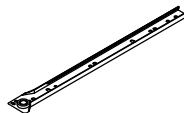
Cam Bolt x 1

(D)



3\*12mm Screw x 6

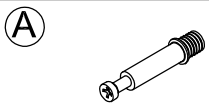
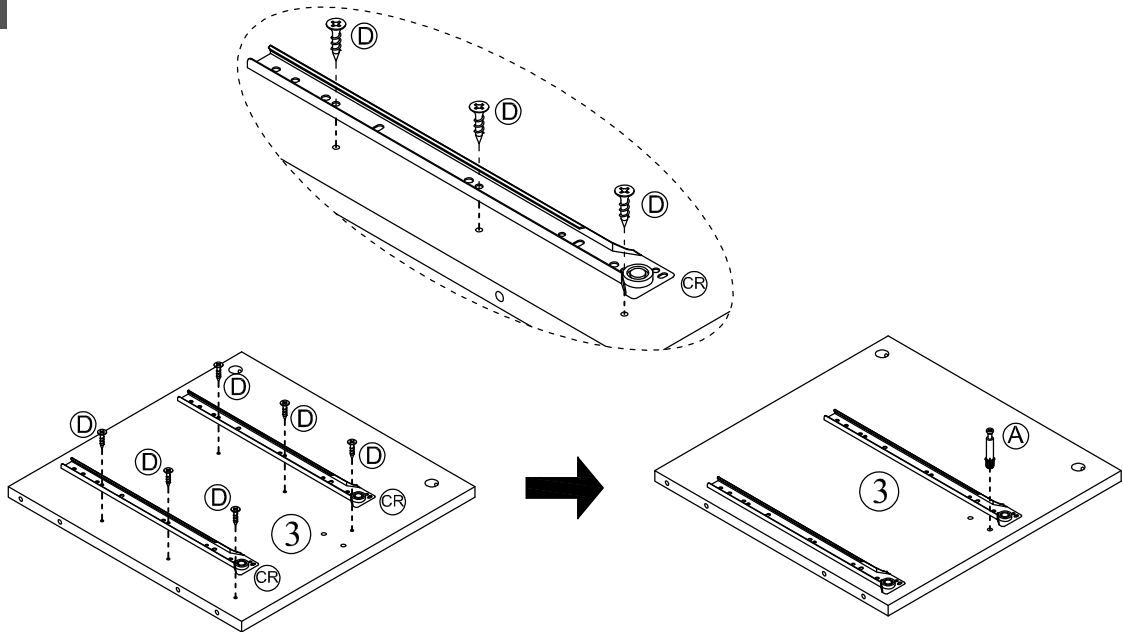
(CL)



300mm runner x 2

# Assembly Instructions

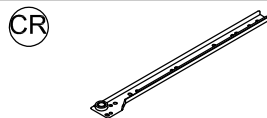
## Step 3



Cam Bolt x 1

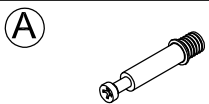
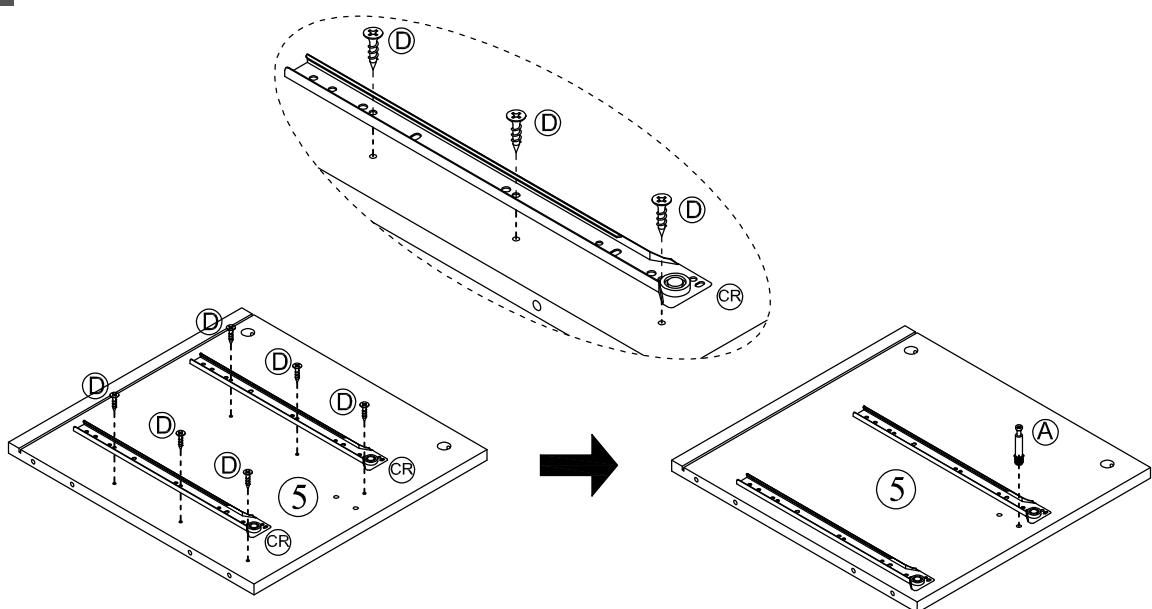


3\*12mm Screw x 6



300mm runner x 2

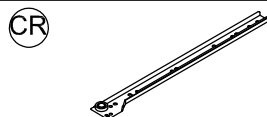
## Step 4



Cam Bolt x 1



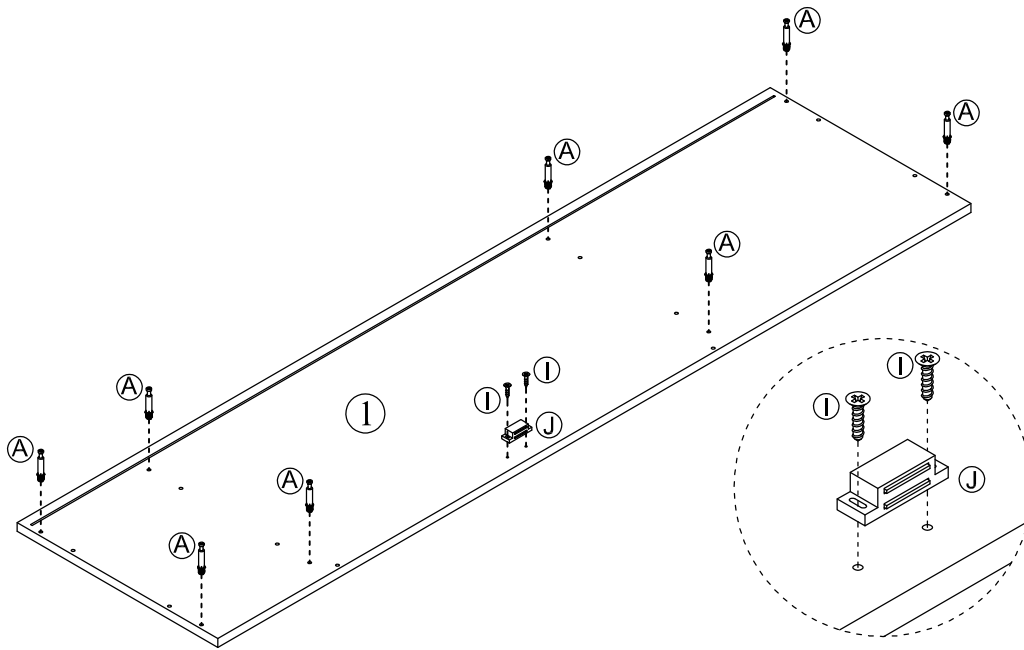
3\*12mm Screw x 6



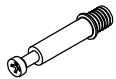
300mm runner x 2

# Assembly Instructions

## Step 5



(A)



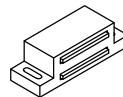
Cam Bolt x 8

(I)



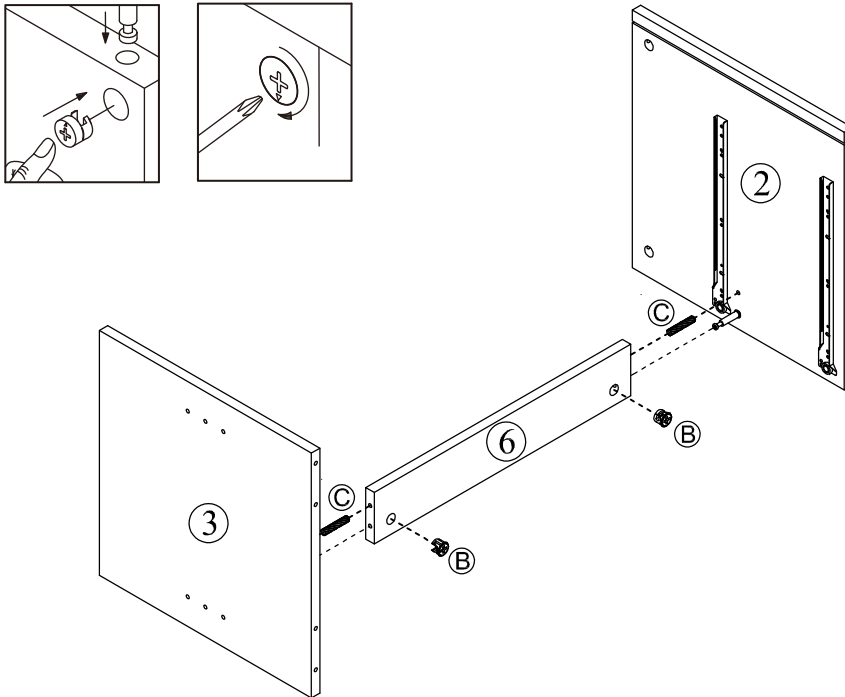
3\*14mm Screw x 2

(J)



Magnetic Door Catcher x 1

## Step 6



(B)



Cam lock x 2

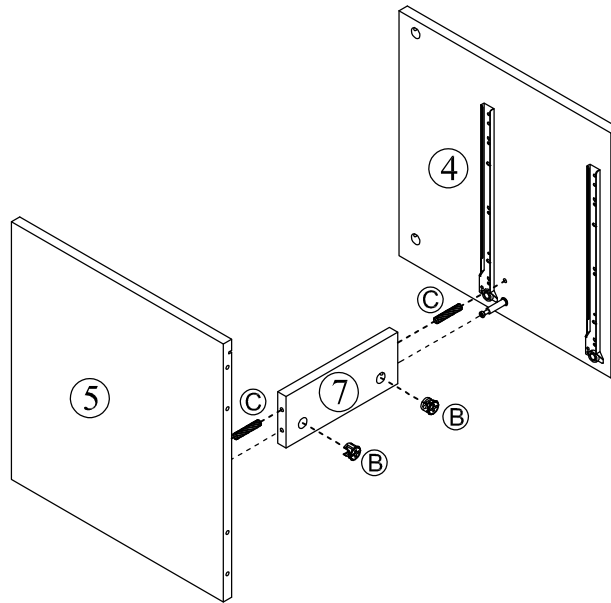
(C)



Dowel x 2

# Assembly Instructions

## Step 7

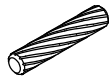


(B)



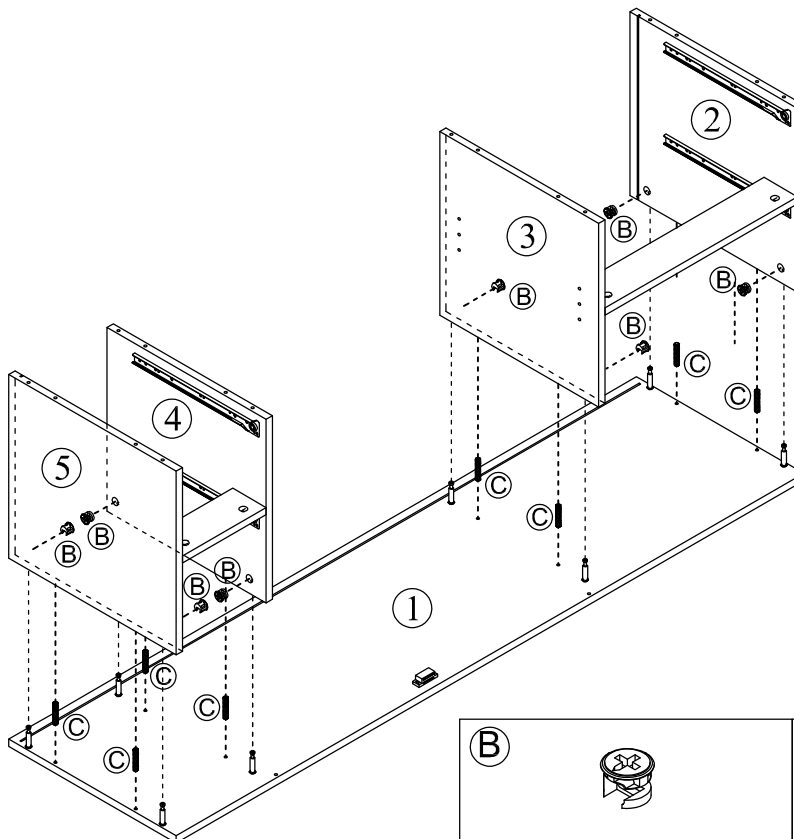
Cam lock x 2

(C)



Dowel x 2

## Step 8

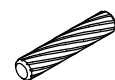


(B)



Cam lock x 8

(C)

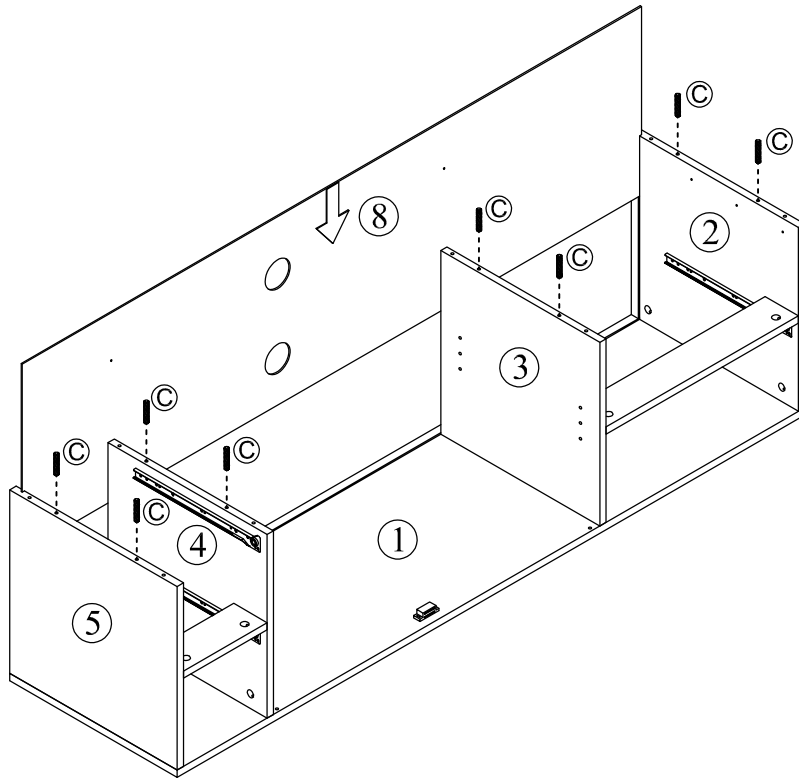


Dowel x 8

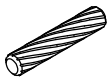


# Assembly Instructions

## Step 9

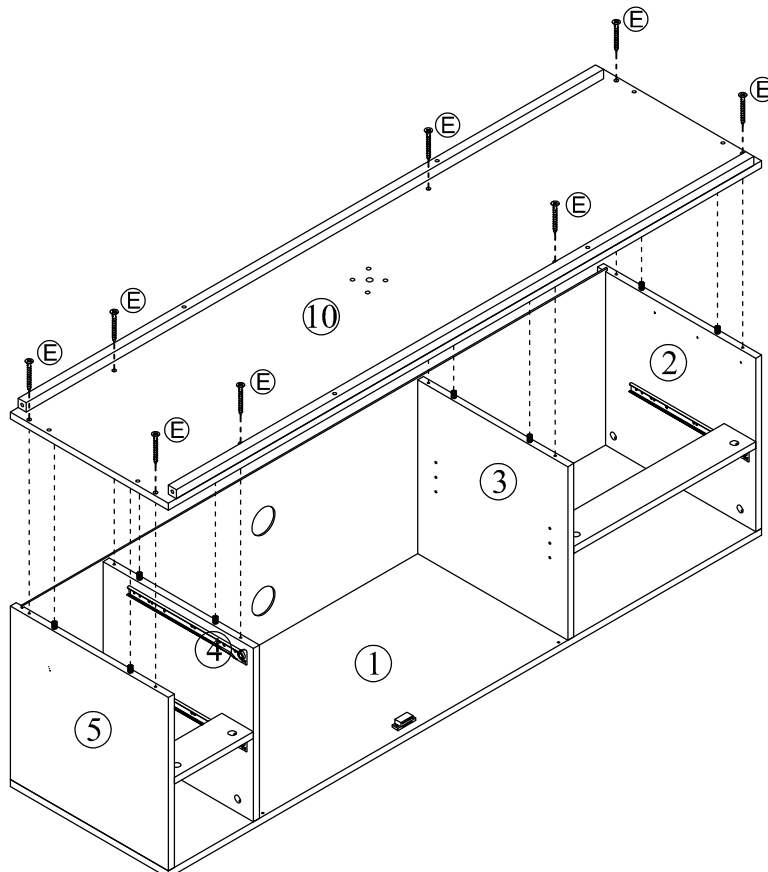


C



Dowel x 8

## Step 10



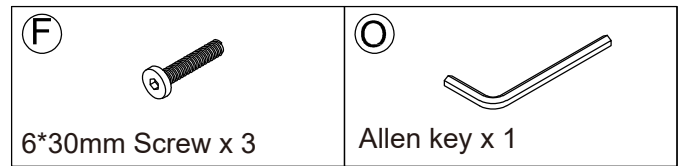
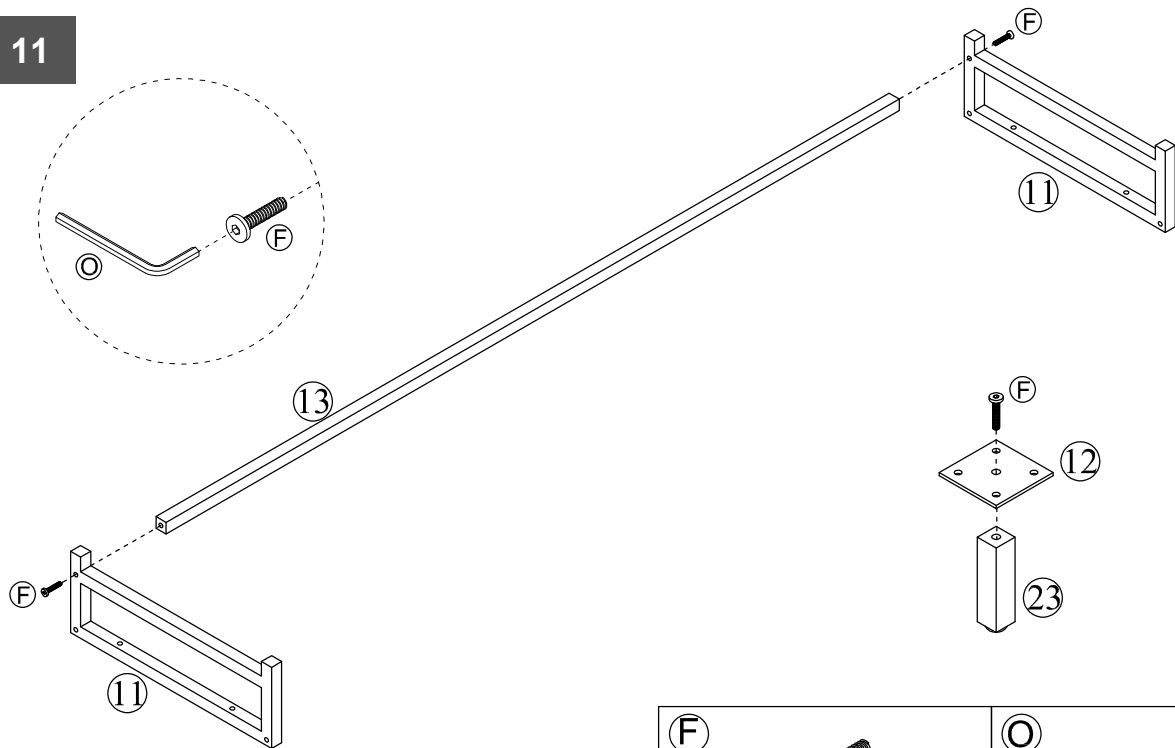
E



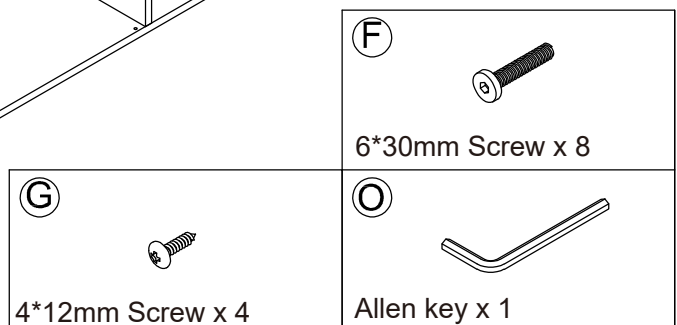
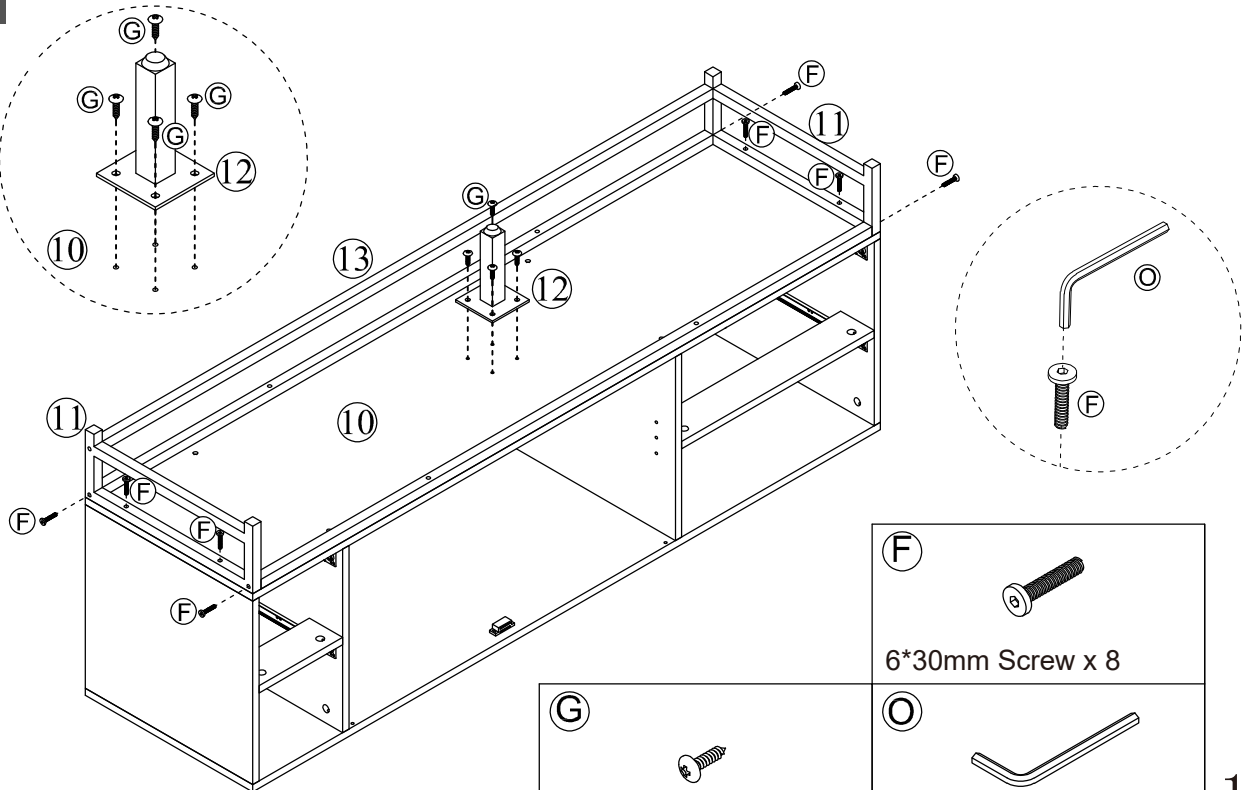
4\*35mm Screw x 8

# Assembly Instructions

## Step 11

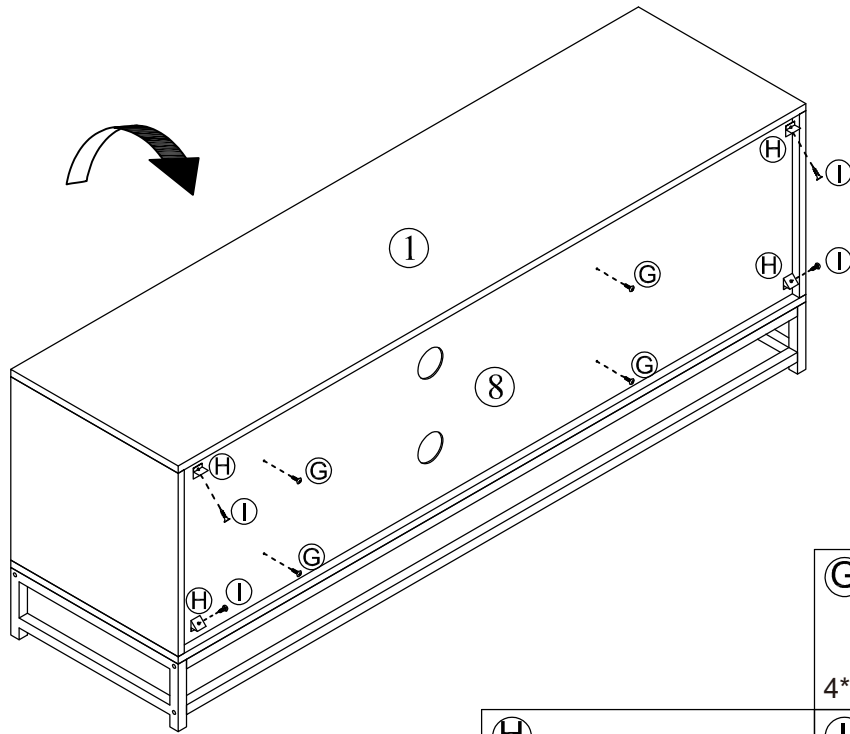
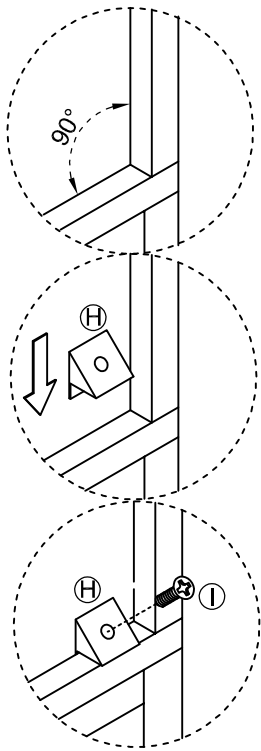



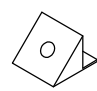

## Step 12



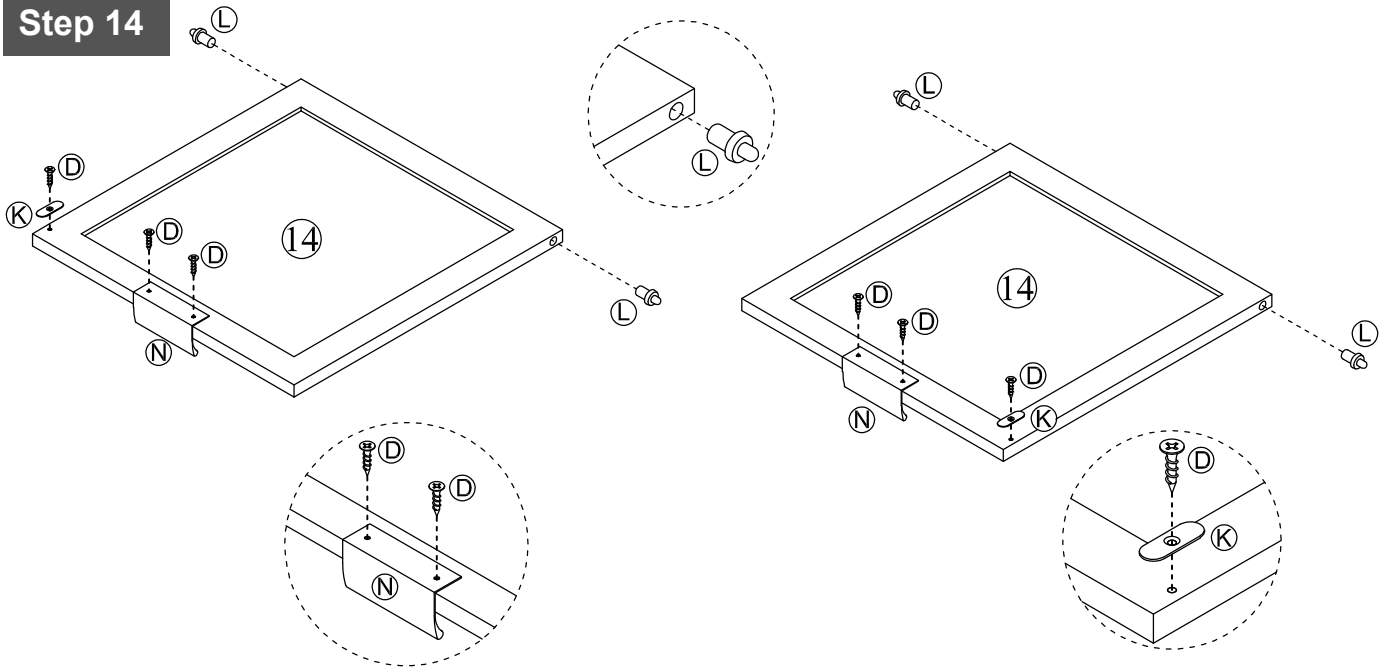
# Assembly Instructions




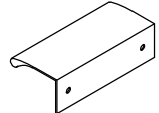
## Step 13



<b>(G)</b>	
	4*12mm Screw x 4
<b>(H)</b>	
<b>(I)</b>	
	Plastic corner support x 4
	3*14mm Screw x 4

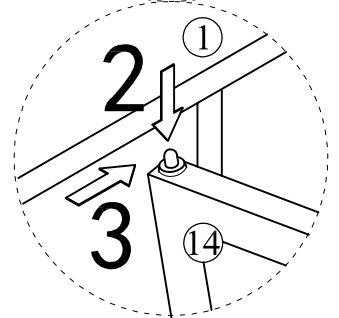
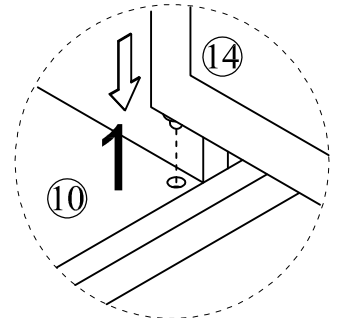
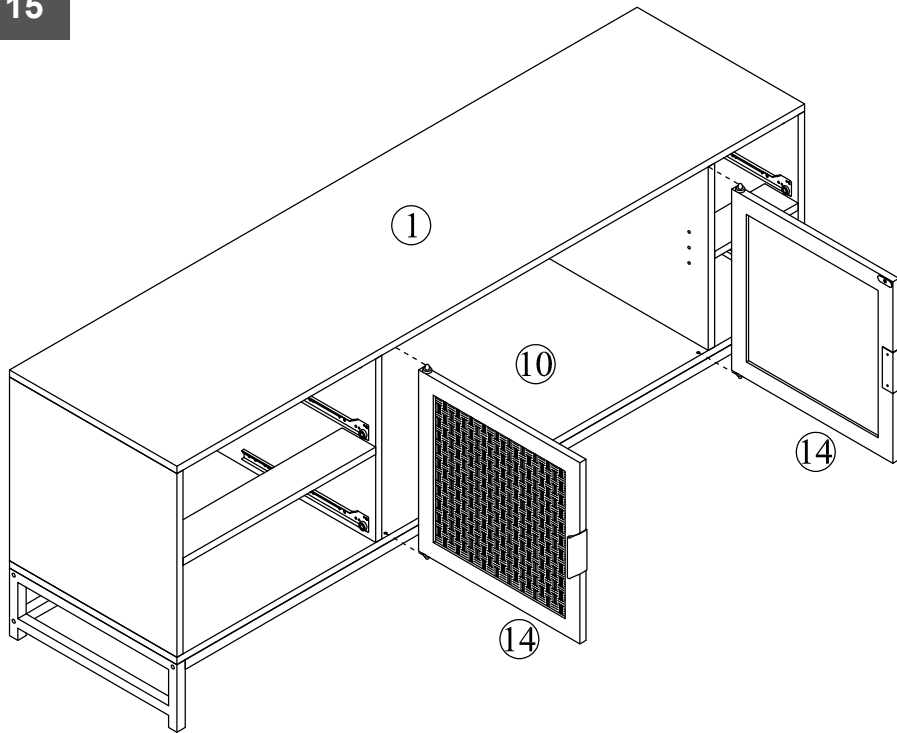
## Step 14



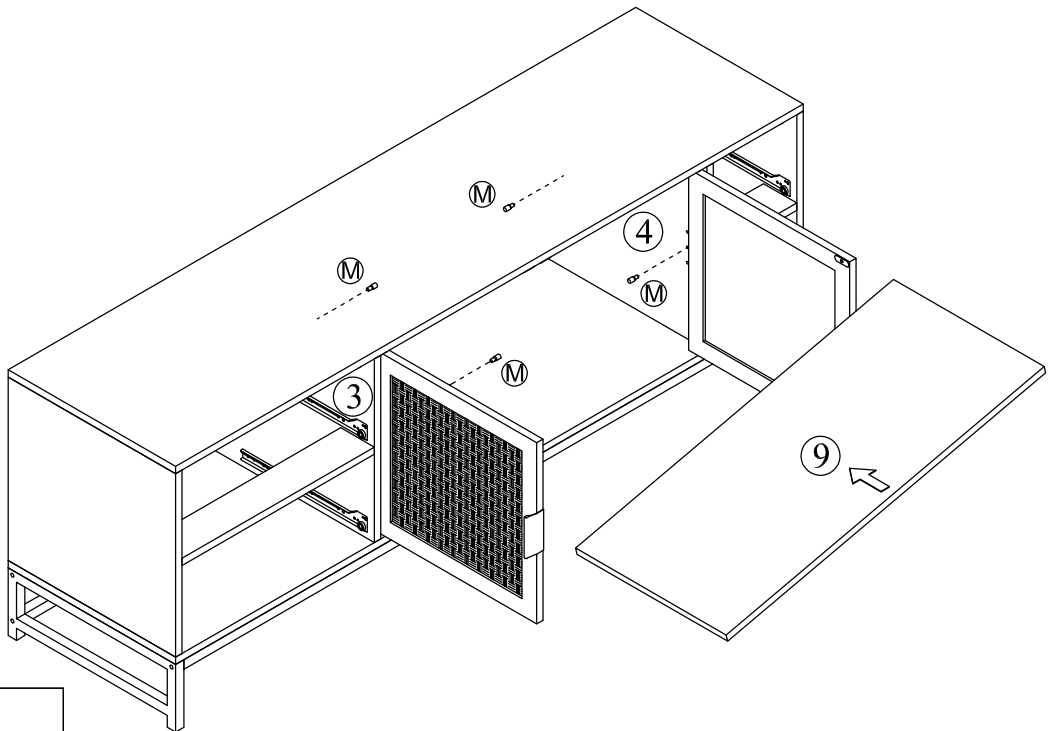
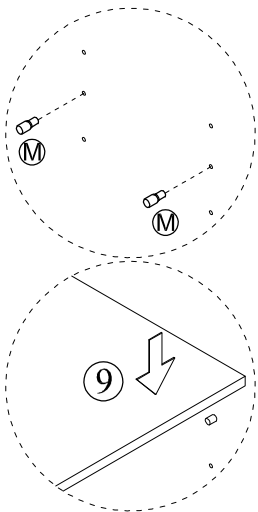
<b>(D)</b>		<b>(K)</b>		<b>(L)</b>		<b>(N)</b>	
	3*12mm Screw x 6		Metal Plate x 2		Metal Pin x 4		Handle x 2

# Assembly Instructions

## Step 15



## Step 16



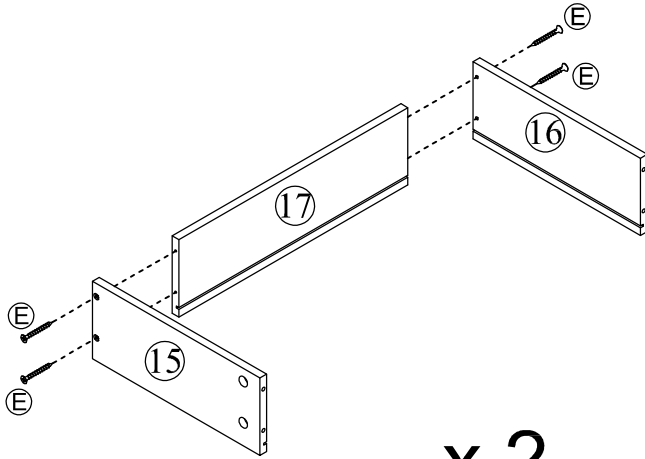
(M)



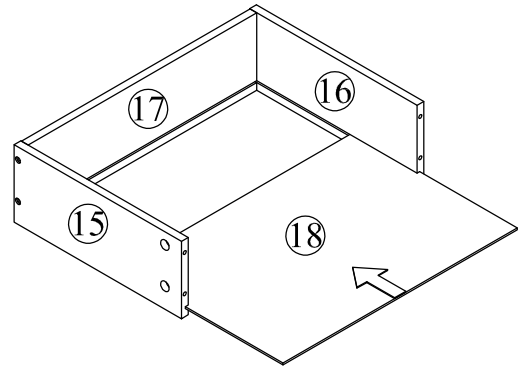
Shelf support pin x 4

# Assembly Instructions

## Step 17

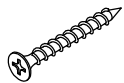


x 2



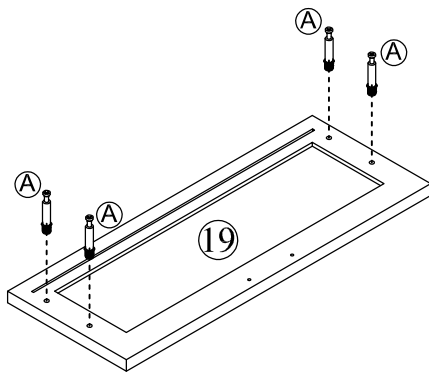
x 2

(E)

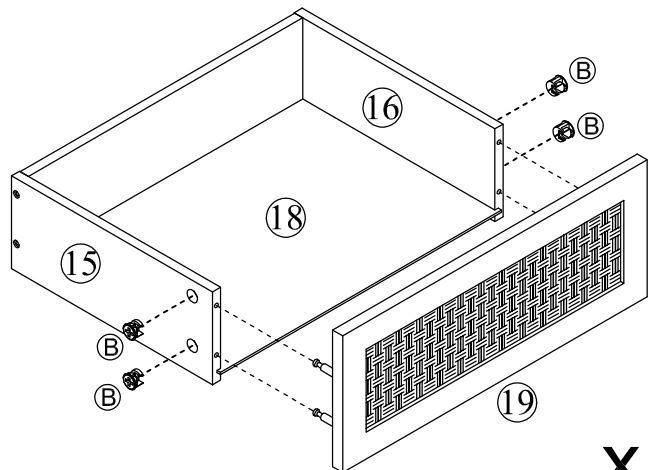


4\*35mm Screw x 8

## Step 18

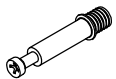


x 2



x 2

(A)



Cam Bolt x 8

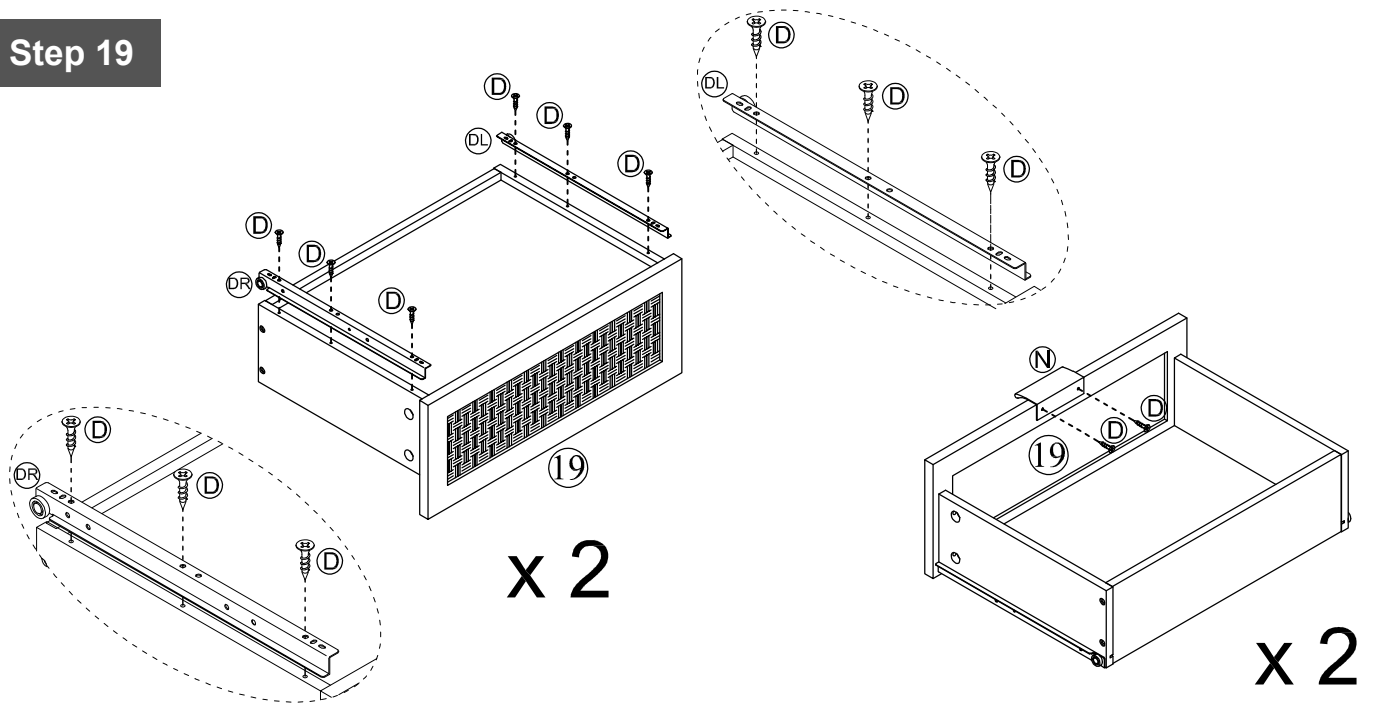
(B)



Cam lock x 8


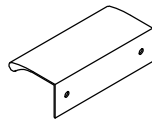
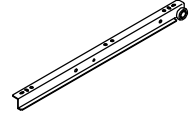
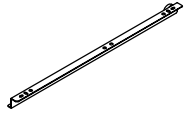
# Assembly Instructions

## Step 19

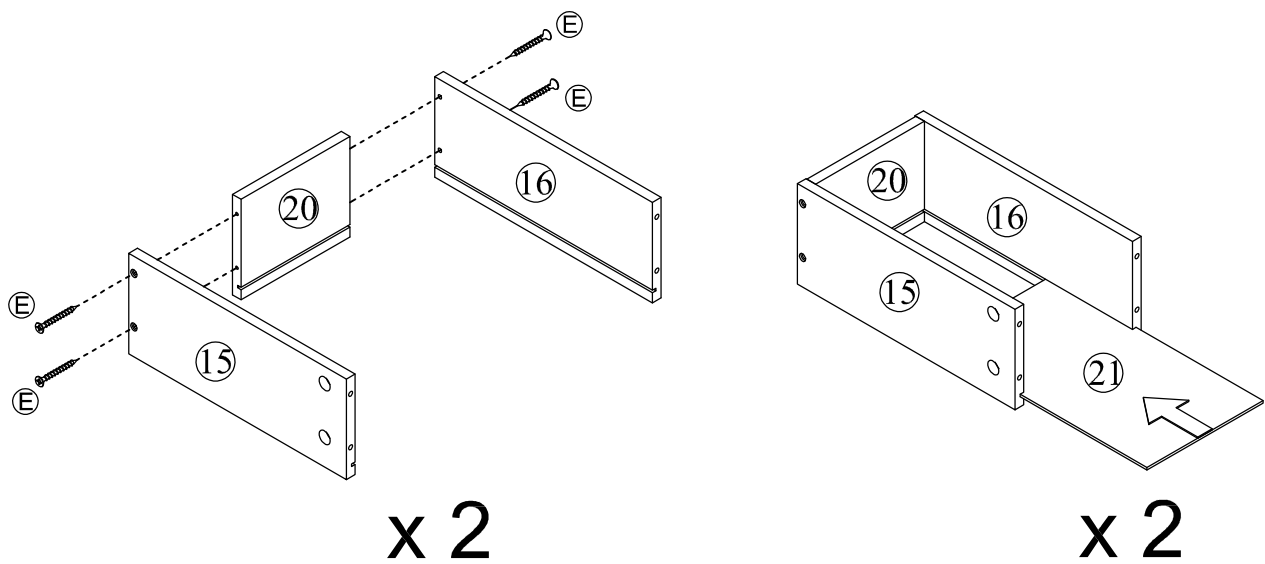


x 2

x 2

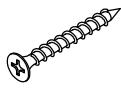
<p><b>(D)</b></p>  <p>3*12mm Screw x 16</p>	<p><b>(N)</b></p>  <p>Handle x 2</p>	<p><b>(DL)</b></p>  <p>300mm runner x 2</p>	<p><b>(DR)</b></p>  <p>300mm runner x 2</p>
--	--	--	---

## Step 20



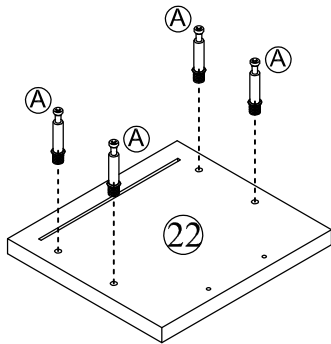
x 2

x 2

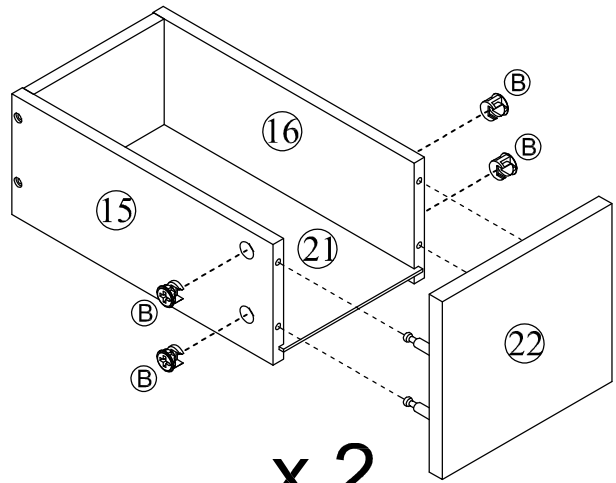
<p><b>(E)</b></p>  <p>4*35mm Screw x 8</p>
---

# Assembly Instructions

## Step 21

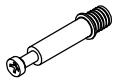


x 2



x 2

(A)



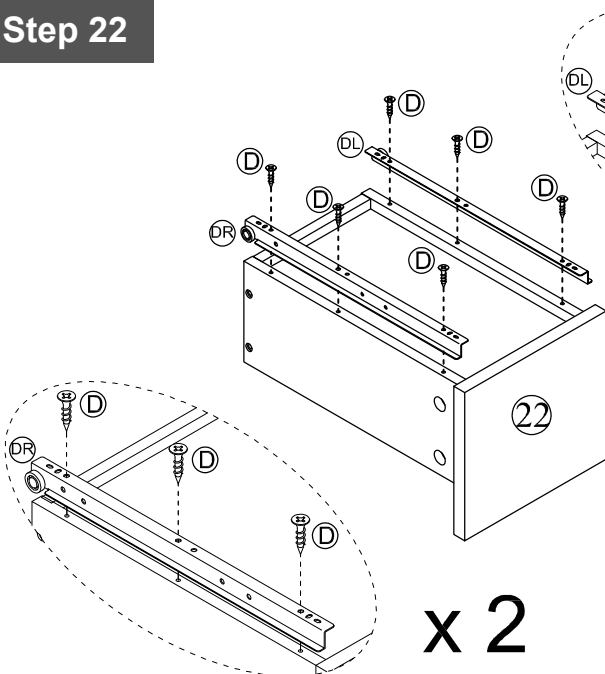
Cam Bolt x 8

(B)

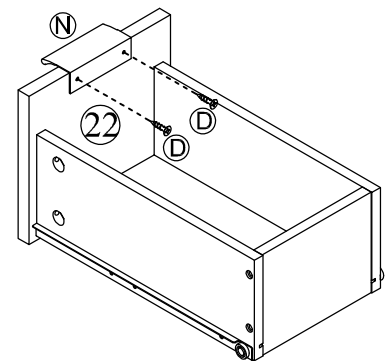
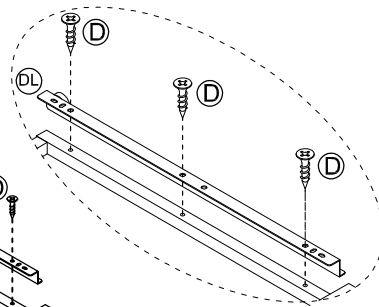


Cam lock x 8

## Step 22



x 2



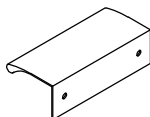
x 2

(D)



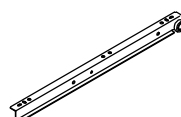
3\*12mm Screw x 16

(N)



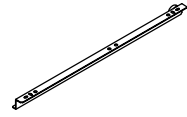
Handle x 2

(DL)



300mm runner x 2

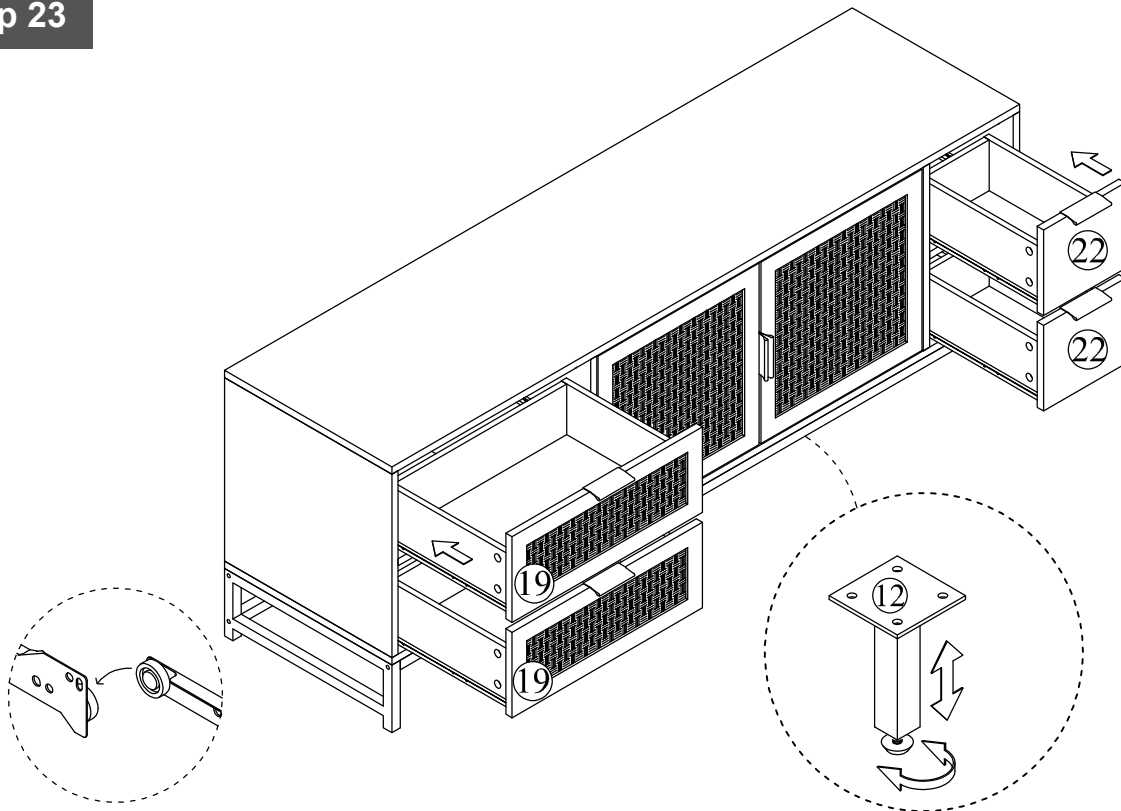
(DR)



300mm runner x 2

# Assembly Instructions

## Step 23



## Step 24

