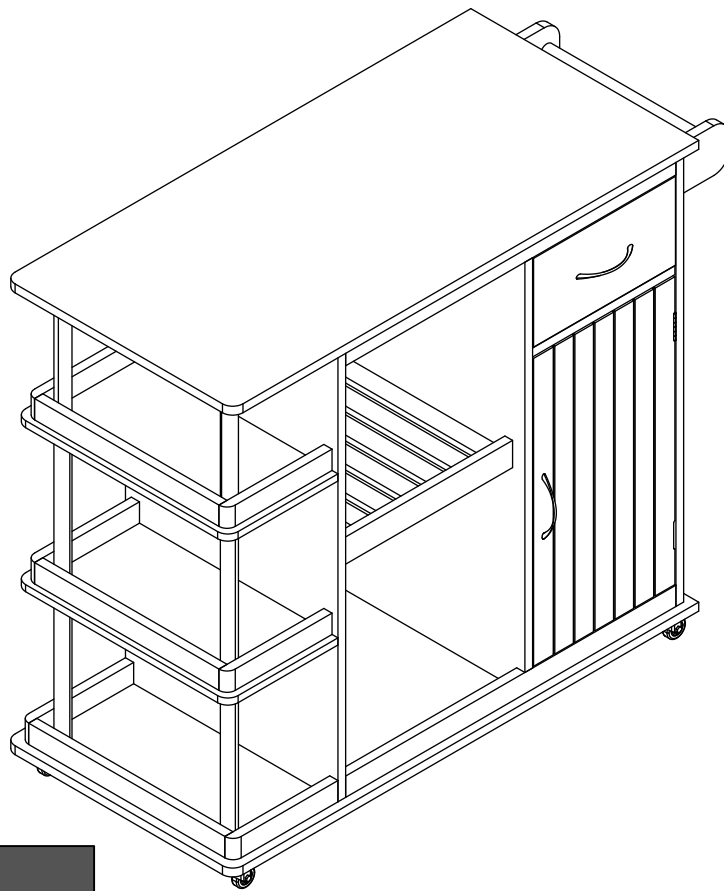


Kitchen Island Carts

Assembly Instructions - Please keep for future reference

WF30554



Dimensions

Width-40inch

Depth-17.5inch

Height-33.7inch

Important – Please read these instructions fully before starting assembly

Issue 1 - 05/08/23



Safety and Care Advice

Important – Please read these instructions fully before starting assembly

- Check you have all the components and tools listed on the following pages.
- Remove all fittings from the plastic bags and separate them into their groups.
- Keep children and animals away from the work area, small parts could choke if swallowed.
- Make sure you have enough space to layout the parts before starting.

- During assembly do not stand or put weight on the product, this could cause damage.
- Assemble the item as close to its final position (in the same room) as possible.
- Assemble on a soft level surface to avoid damaging the unit or your floor.
- Parts of the assembly will be easier with 2 people.



- To reduce the likelihood of damaging your product please ensure that your power drill is set on a low torque setting.

Care and maintenance

- Only clean using a damp cloth and mild detergent, do not use bleach or abrasive cleaners.
- From time to time check that there are no loose screws on this unit.
- This product should not be discarded with household waste. Take to your local authority waste disposal centre.

Handy Hints

- Assemble all parts and bolts loosely during assembly, only once the product is complete should you fully tighten the bolts
- Regularly check and ensure That all bolts and fittings are tightend properly.

WARNING In order to help prevent overturning – please follow these instructions

To help prevent product toppling over please follow the below steps:-

Use the anti tip stap or wall fixing method provided (if applicable)
Do not allow children to climb or hang on the furniture
Do not open more than one drawer at a time
Do not place heavy items in the top drawers
Do not place heavy items on top of the furniture, unless the furniture has been designed for this purpose

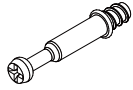

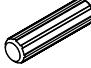

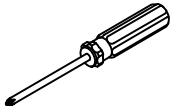

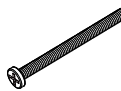

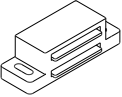


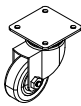

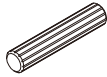


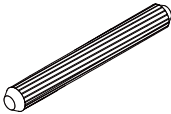
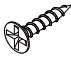
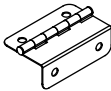

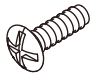




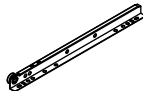
Please note that only the anti tip strap is provided.

You will need to provide wall plugs and screws applicable for your wall type

Components - Fittings

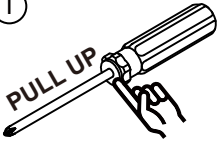
Please check you have all the panels listed below

Note: The quantities below are the correct amount to complete the assembly. In some cases more fittings may be supplied than are required.

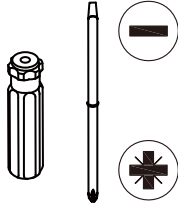
 <p>(A) Cam Bolt x 24</p>	 <p>(B) Cam lock x 24</p>	 <p>(C) 8*30mm Dowel x 24</p>	 <p>(D) 4*30mm Screw x 36</p>
 <p>(E) Screwdriver x 1</p>	 <p>(F) Iron sheet x 1</p>	 <p>(G) 6*50mm Screw x 4</p>	 <p>(H) Vertical nut x 4</p>
 <p>(I) Magnetic collision x 1</p>	 <p>(J) 3*14mm Screw x 2</p>	 <p>(K) Locking caster x 2</p>	 <p>(L) Caster x 3</p>
 <p>(M) 4*14mm Screw x 20</p>	 <p>(N) 6*30mm Dowel x 20</p>	 <p>(O) Shelf support pin x 4</p>	 <p>(P) 3*10mm Screw x 1</p>
 <p>(Q) 6*50mm Dowel x 4</p>	 <p>(R) 3.5*12mm Screw x 22</p>	 <p>(S) Hinge x 2</p>	 <p>(T) Hole to stick x 8</p>
 <p>(U) 4*16mm Screw x 4</p>	 <p>(V) Hold hands x 2</p>	 <p>(CL) 350mm runner x 1</p>	 <p>(CR) 350mm runner x 1</p>
 <p>(DL) 350mm runner x 1</p>	 <p>(DR) 350mm runner x 1</p>		

Tools required

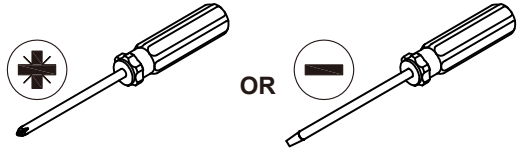
I



II



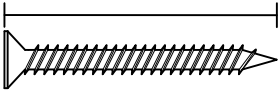
III



Screwdrivers can be converted to Phillips and Slotted.

Ruler - Use this ruler to help correctly identify the screws

0 5 10 15 20 25 30 35 40 45 50 55 60 65 70 75 80 85 90 95 100 105 110 115 120 125 130 135 140 145 150 155 160 165 170



The screws length is measured from the head to the point (35mm screw shown).

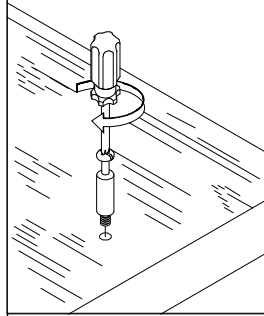
Using Camlocks

Step 1

Connect the male camlock as directed in the assembly instructions using a screwdriver.

1

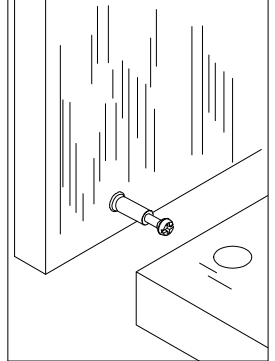
DO NOT OVER TIGHTEN.
NE PAS SERRER EXCESSIVEMENT.



Step 2

Push the male camlock into the entry hole.

2

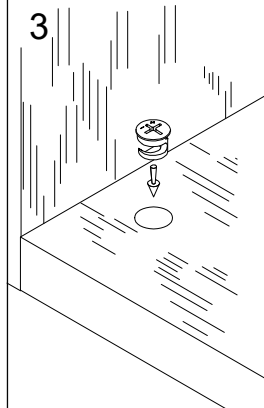


Step 3

Insert the female camlock as shown in the instruction.

Note: ensure that the arrow on the top of the camlock points towards the entry hole for the male camlock.

3



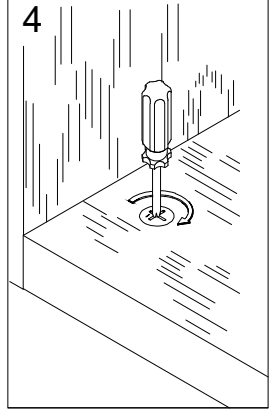
Step 4

Turn the female camlock clockwise with a screwdriver.

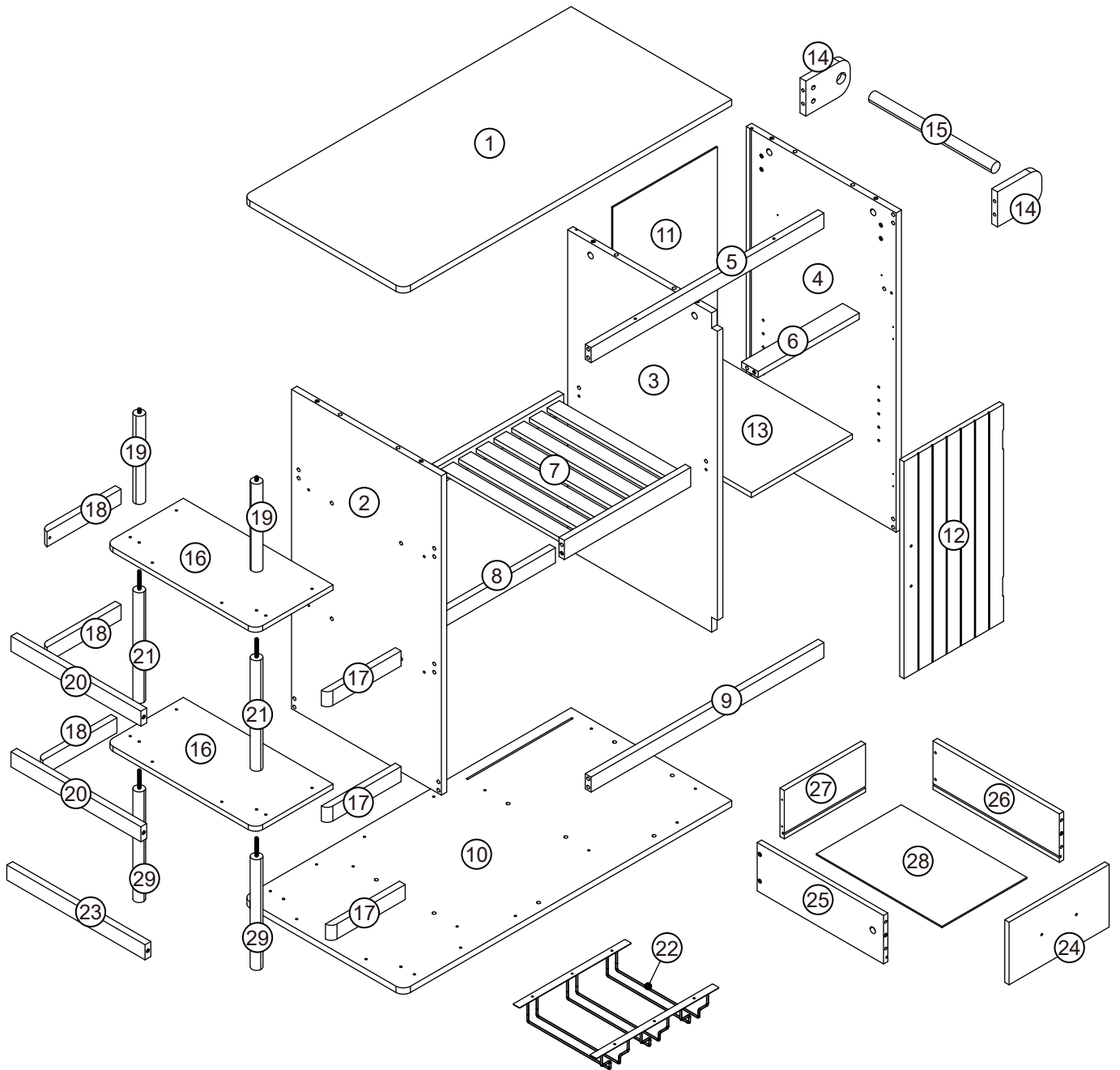
You should feel a click when the camlock is locked in place.

The joint is now secure.

4

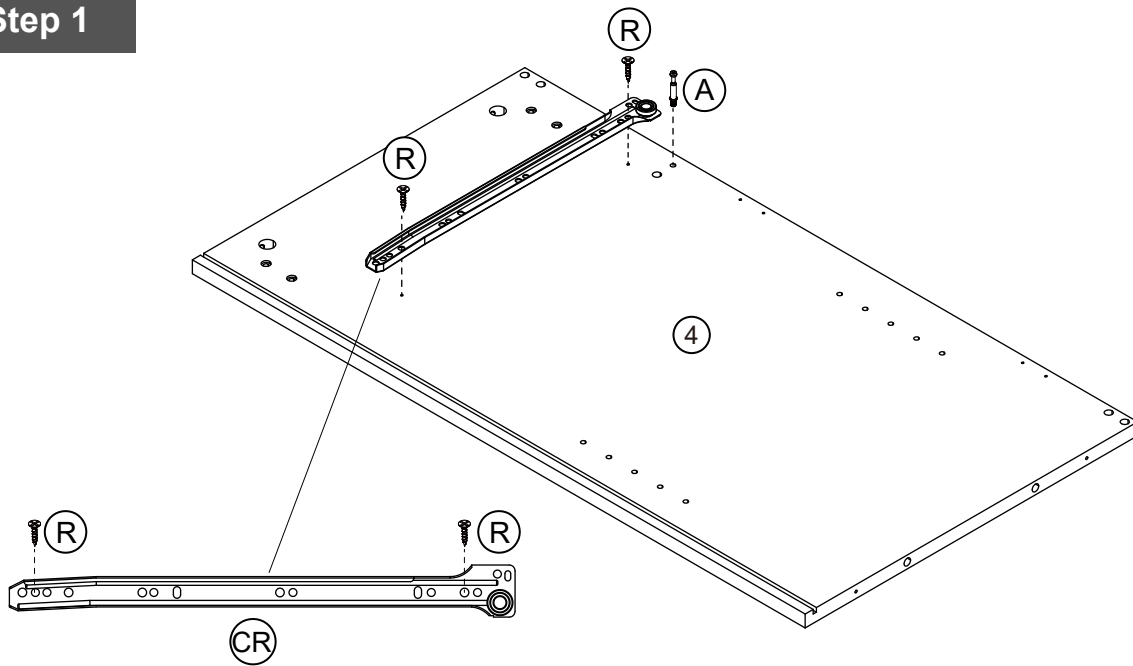


Assembly Instructions



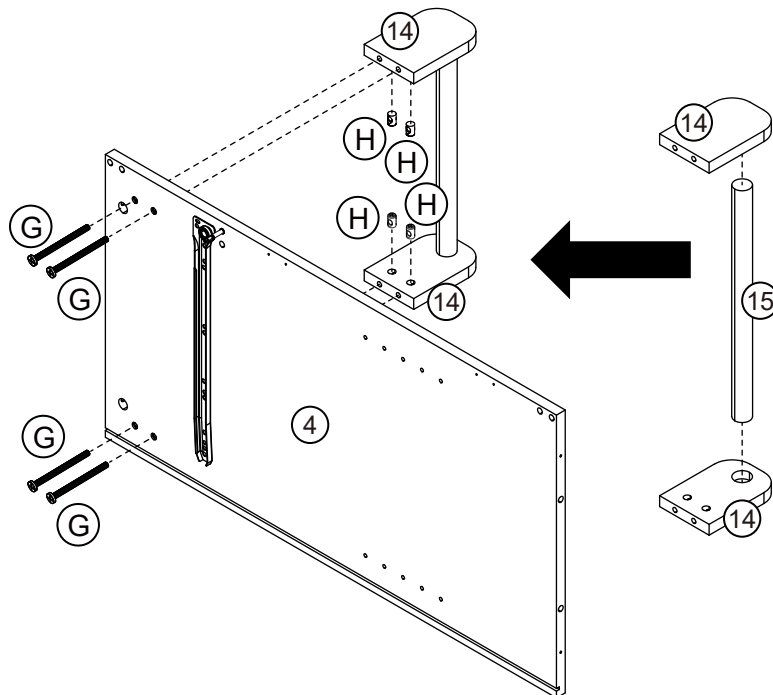
Assembly Instructions

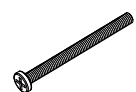

Step 1



<p>(A)</p>  <p>Cam Bolt x 1</p>	<p>(R)</p>  <p>3.5*12mm Screw x 2</p>	<p>(CR)</p>  <p>350mm runner x 1</p>
--	--	--

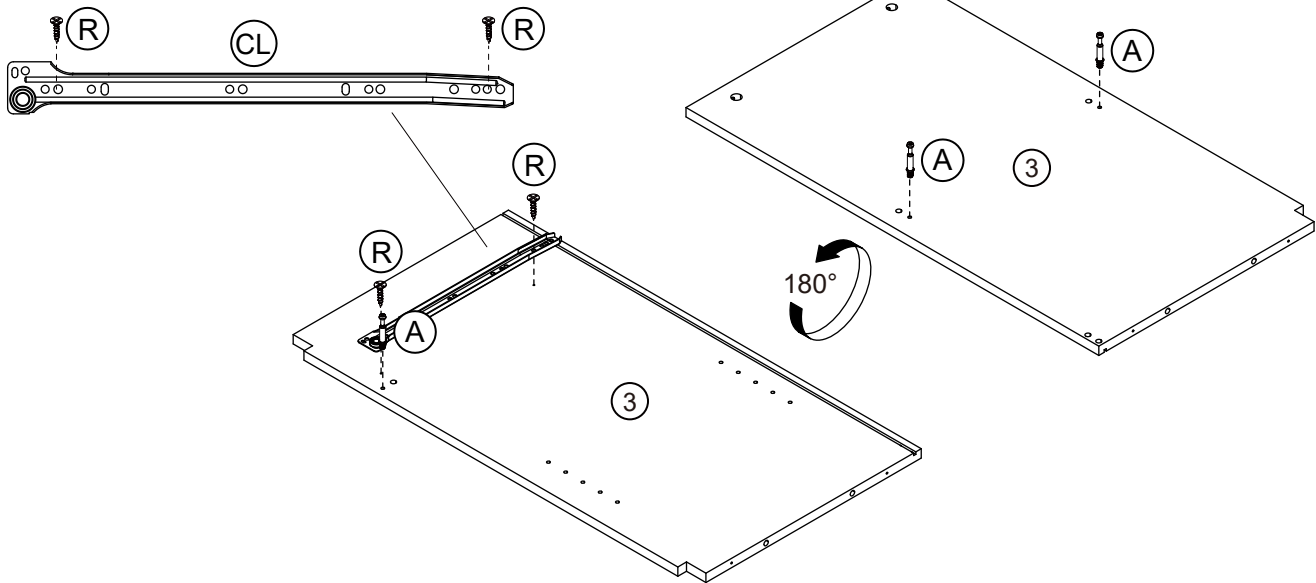
Step 2

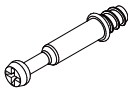


<p>(G)</p>  <p>6*50mm Screw x 4</p>	<p>(H)</p>  <p>Vertical nut x 4</p>
--	--

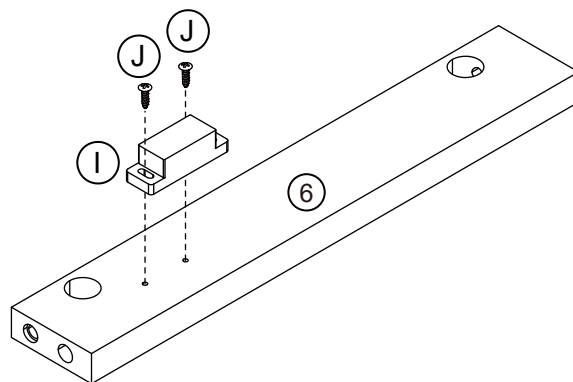
Assembly Instructions

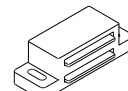

Step 3



 <p>(A) Cam Bolt x 3</p>	 <p>(R) 3.5*12mm Screw x 2</p>	 <p>(CL) 350mm runner x 1</p>
---	---	---

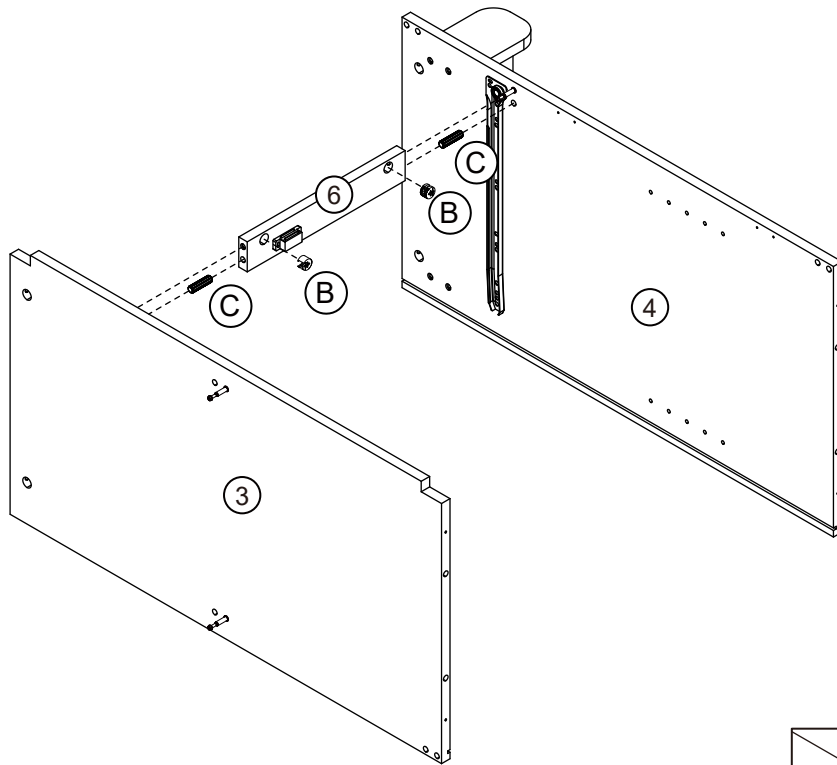
Step 4



 <p>(I) Magnetic collision x 1</p>	 <p>(J) 3*14mm Screw x 2</p>
---	---

Assembly Instructions

Step 5



B

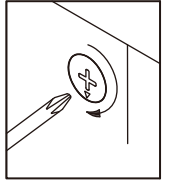
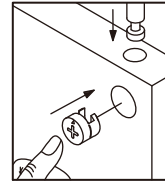


Cam lock x 2

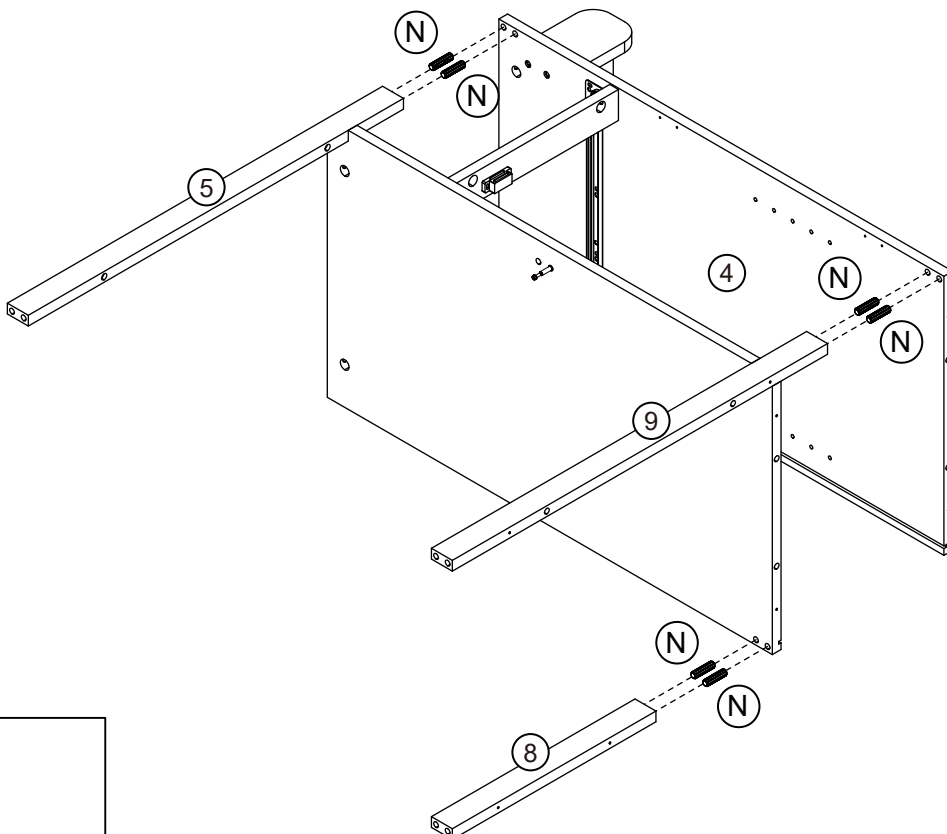
C



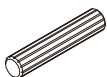
8*30mm Dowel x 2



Step 6



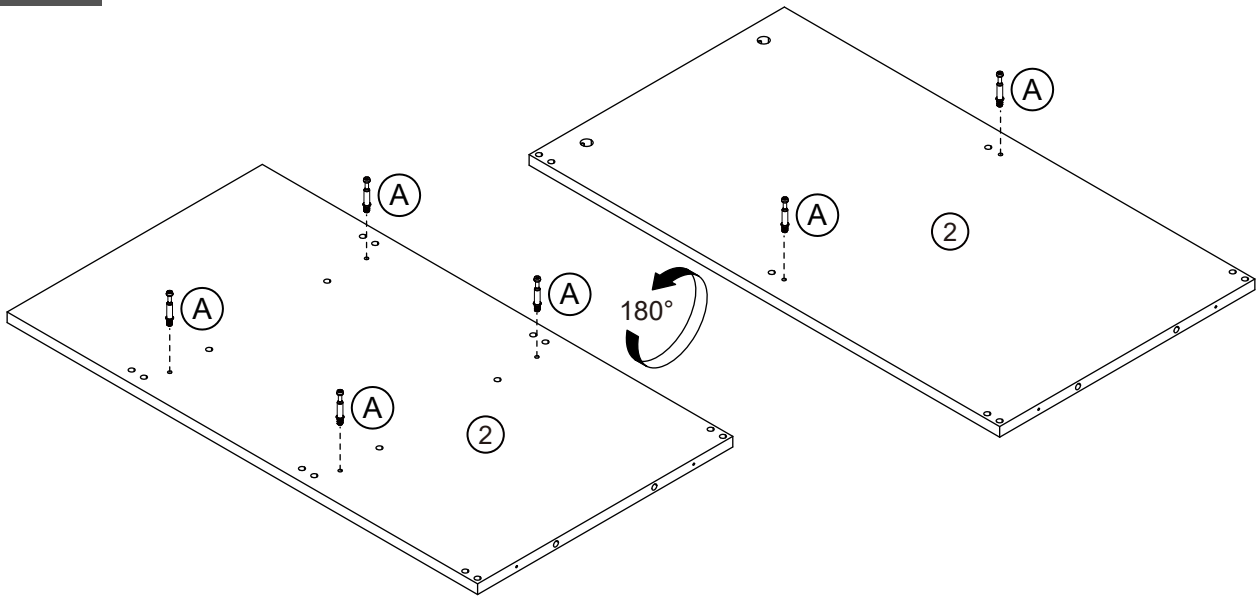
N



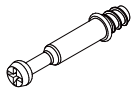
6*30mm Dowel x 6

Assembly Instructions

Step 7

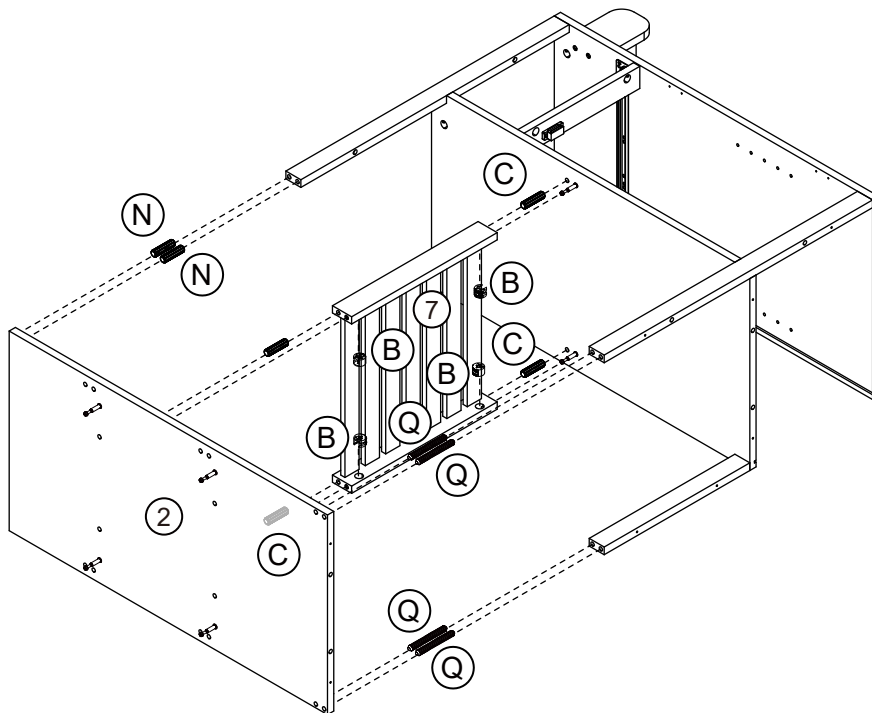


A



Cam Bolt x 6

Step 8



B



Cam lock x 4

C



8*30mm Dowel x 4

Q



6*50mm Dowel x 4

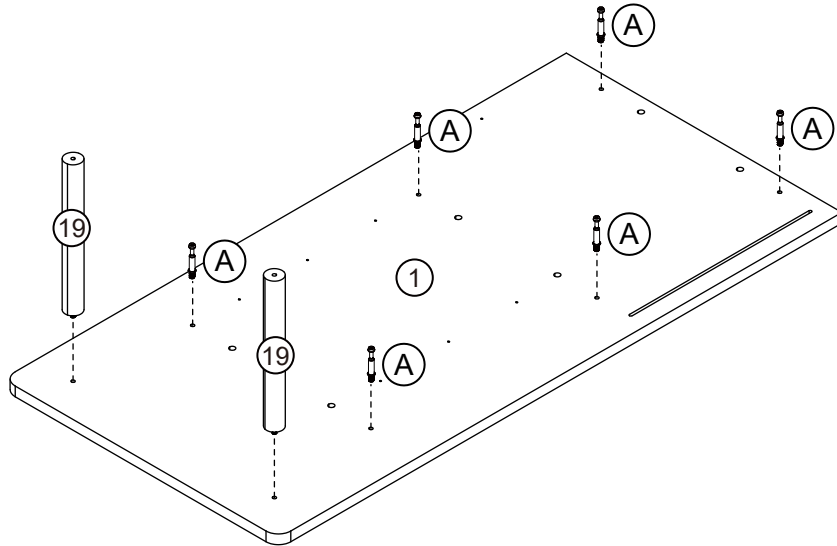
N



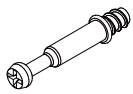
6*30mm Dowel x 2

Assembly Instructions

Step 9

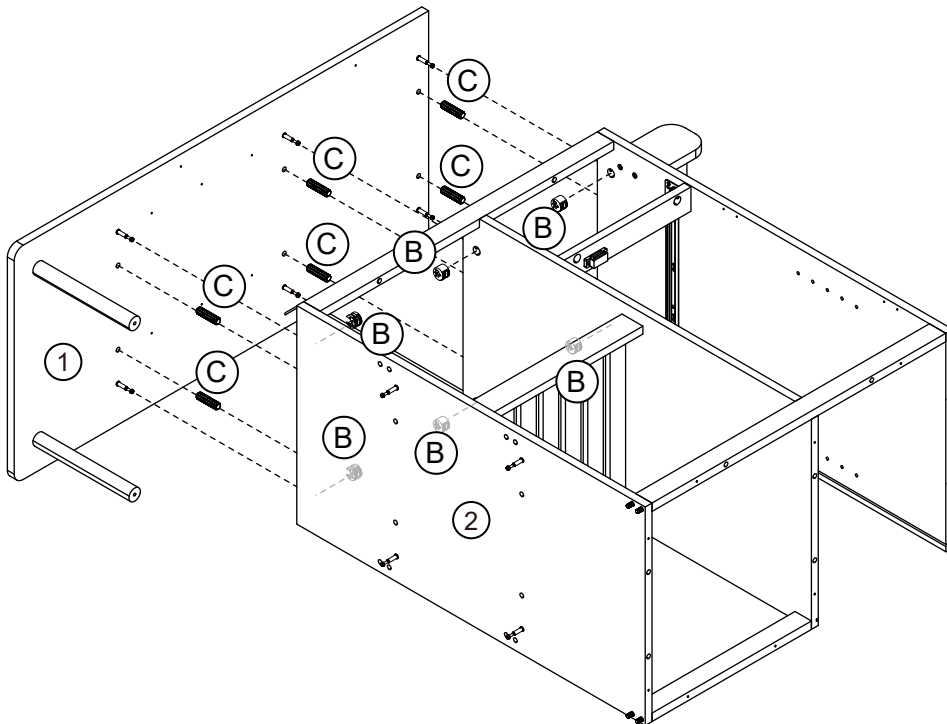


A



Cam Bolt x 6

Step 10



B



Cam lock x 6

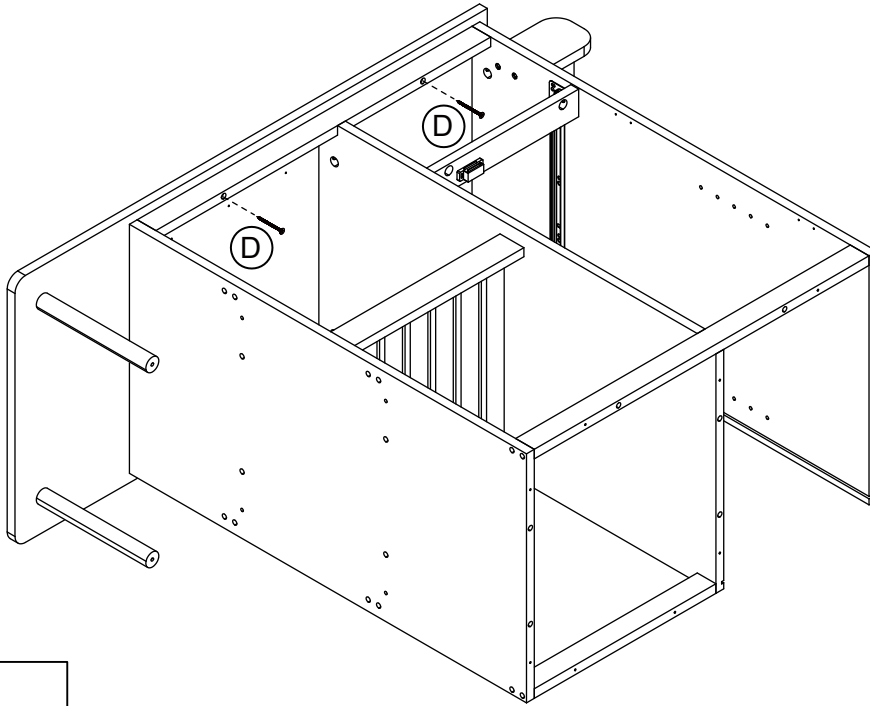
C



8*30mm Dowel x 6

Assembly Instructions

Step 11

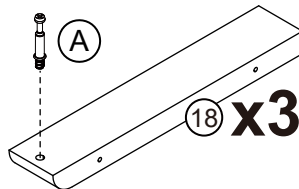
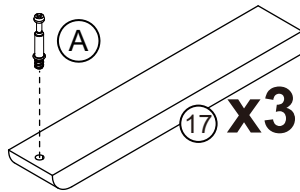


D

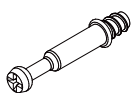


4*30mm Screw x 2

Step 12



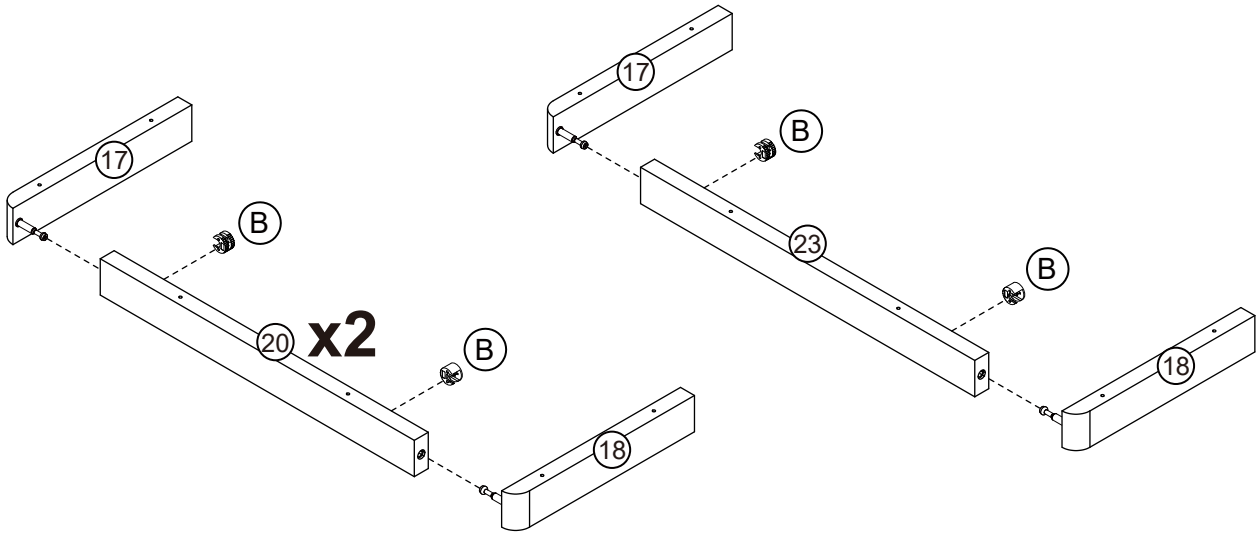
A



Cam Bolt x 6

Assembly Instructions

Step 13

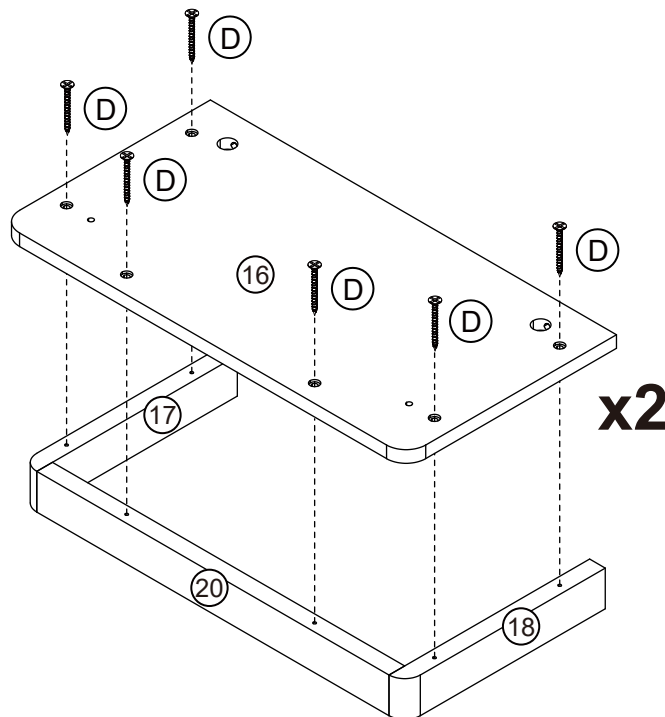


(B)



Cam lock x 6

Step 14



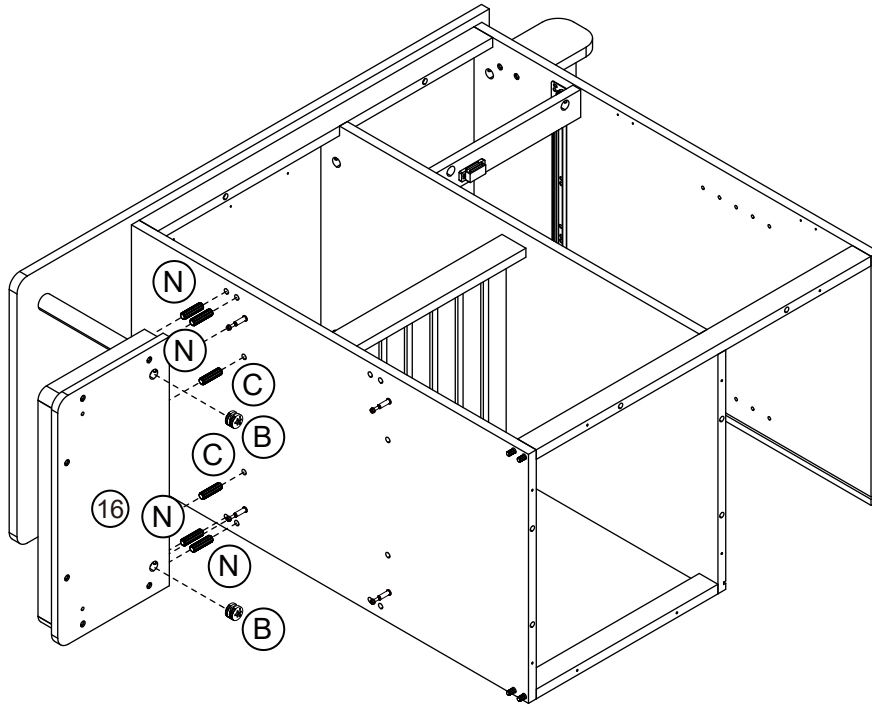
(D)


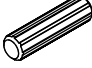
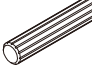


4*30mm Screw x 12

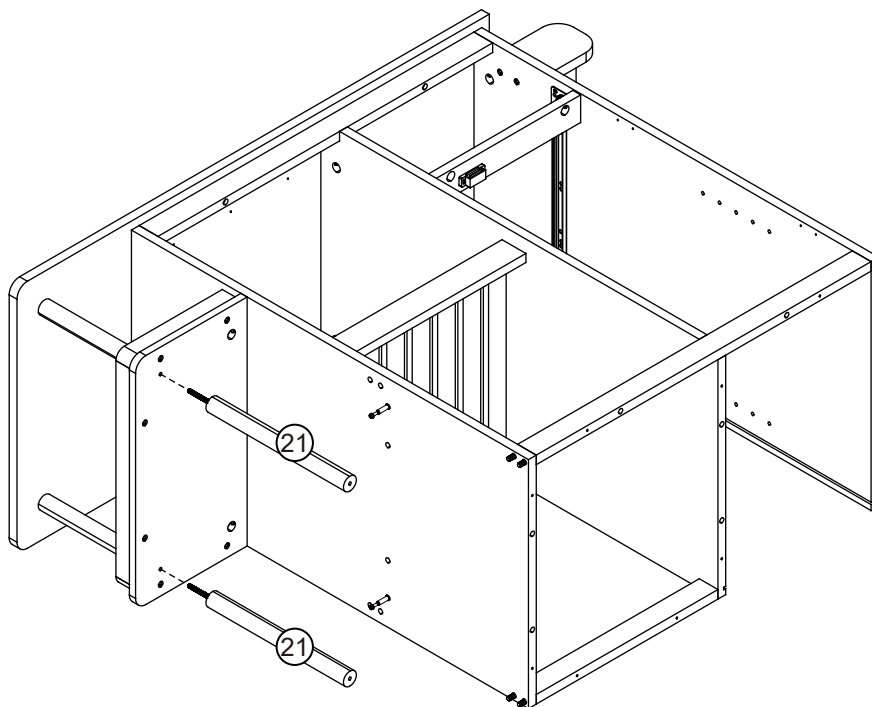
Assembly Instructions

Step 15



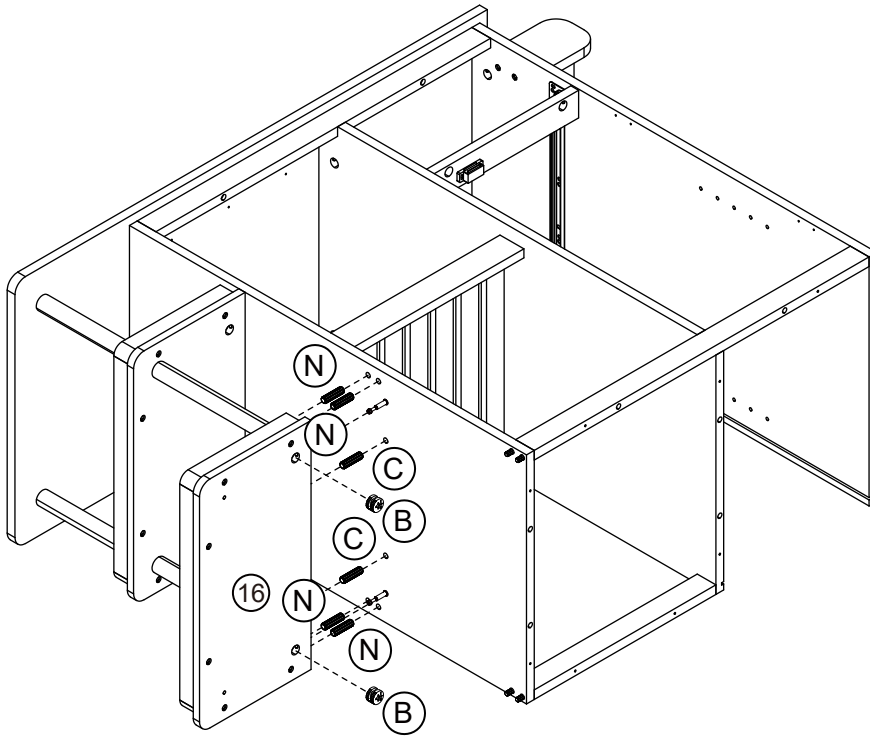
<p>B</p>  <p>Cam lock x 2</p>	<p>C</p>  <p>8*30mm Dowel x 2</p>	<p>N</p>  <p>6*30mm Dowel x 4</p>
---	---	---


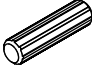
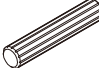
Step 16



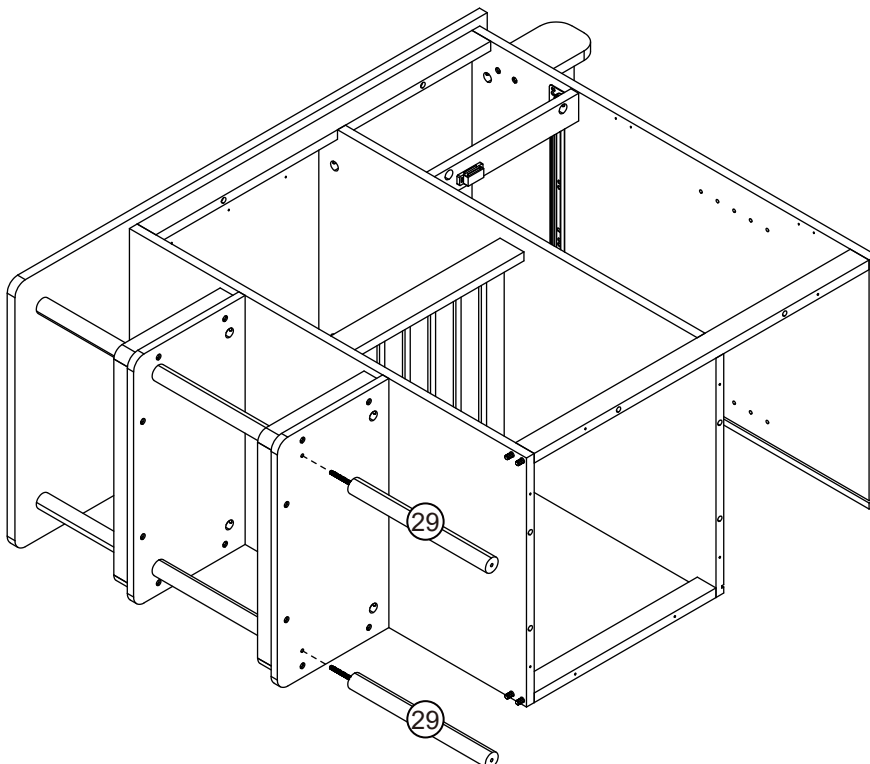
Assembly Instructions

Step 17



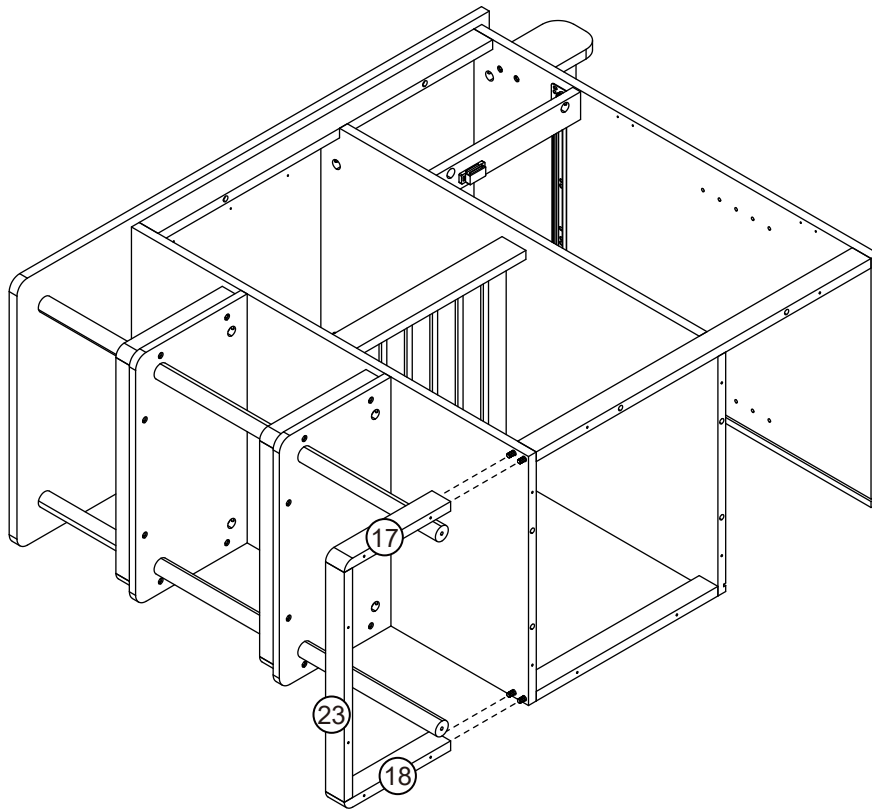
<p>B</p>  <p>Cam lock x 2</p>	<p>C</p>  <p>8*30mm Dowel x 2</p>	<p>N</p>  <p>6*30mm Dowel x 4</p>
---	---	---

Step 18

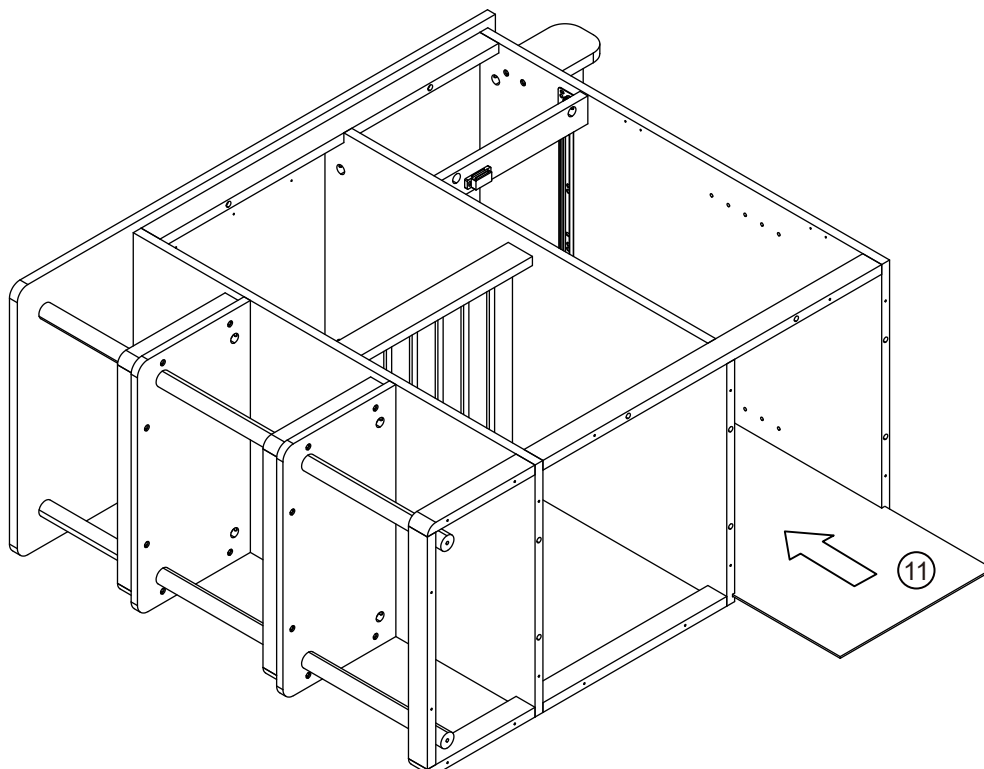


Assembly Instructions

Step 19

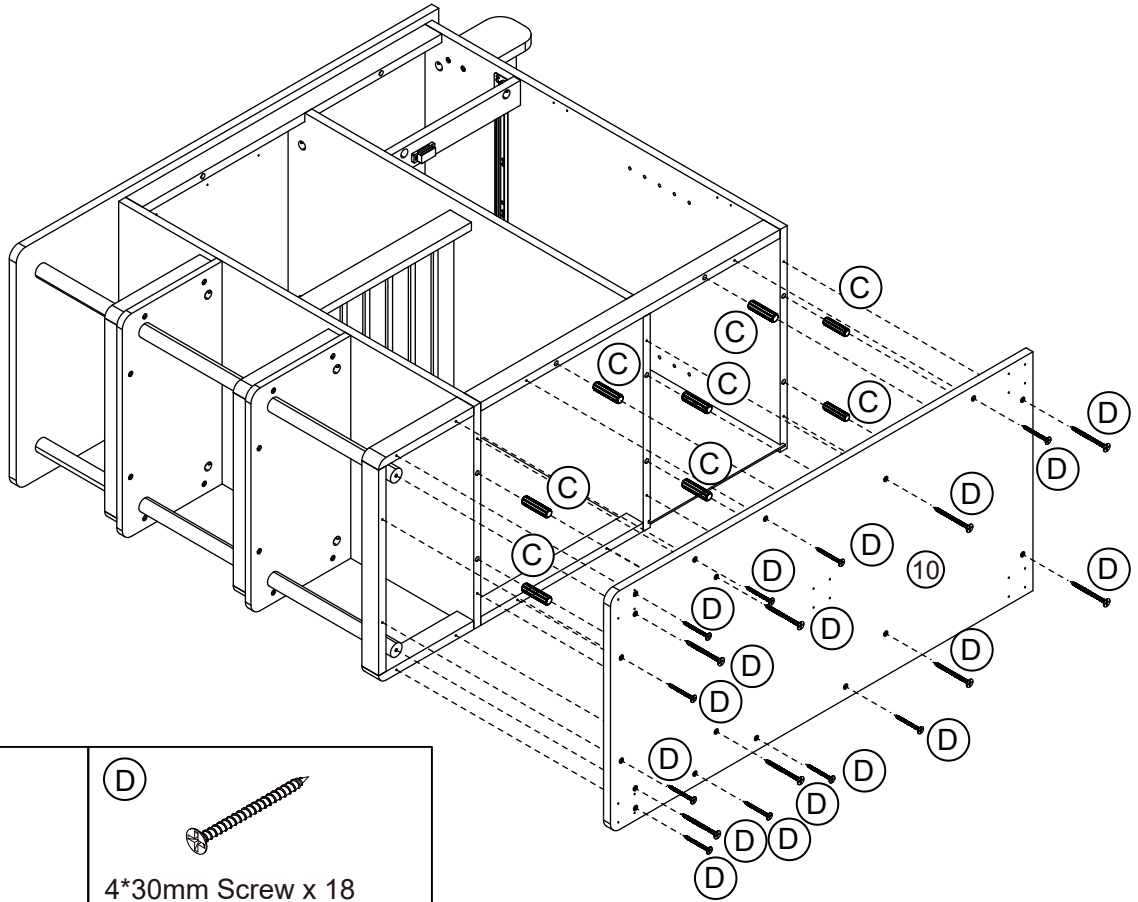


Step 20



Assembly Instructions

Step 21



(C)



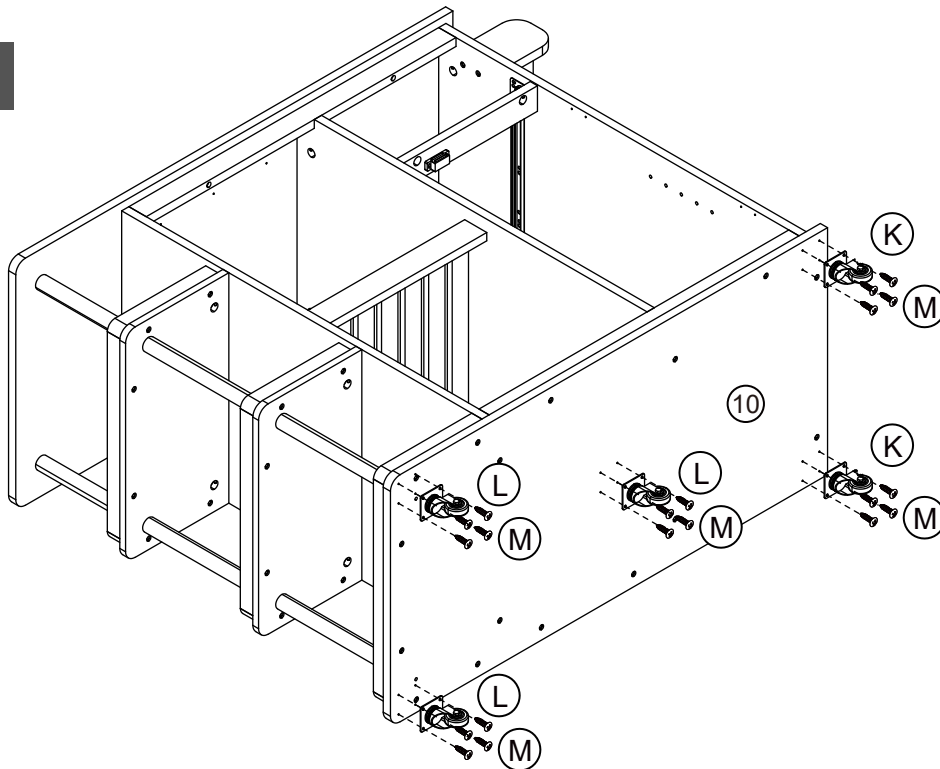
8*30mm Dowel x 8

(D)



4*30mm Screw x 18

Step 22



(K)



Locking caster x 2

(L)

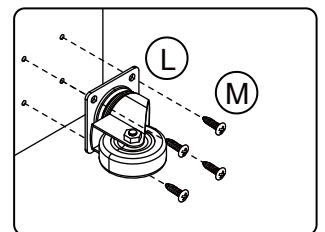


Caster x 3

(M)

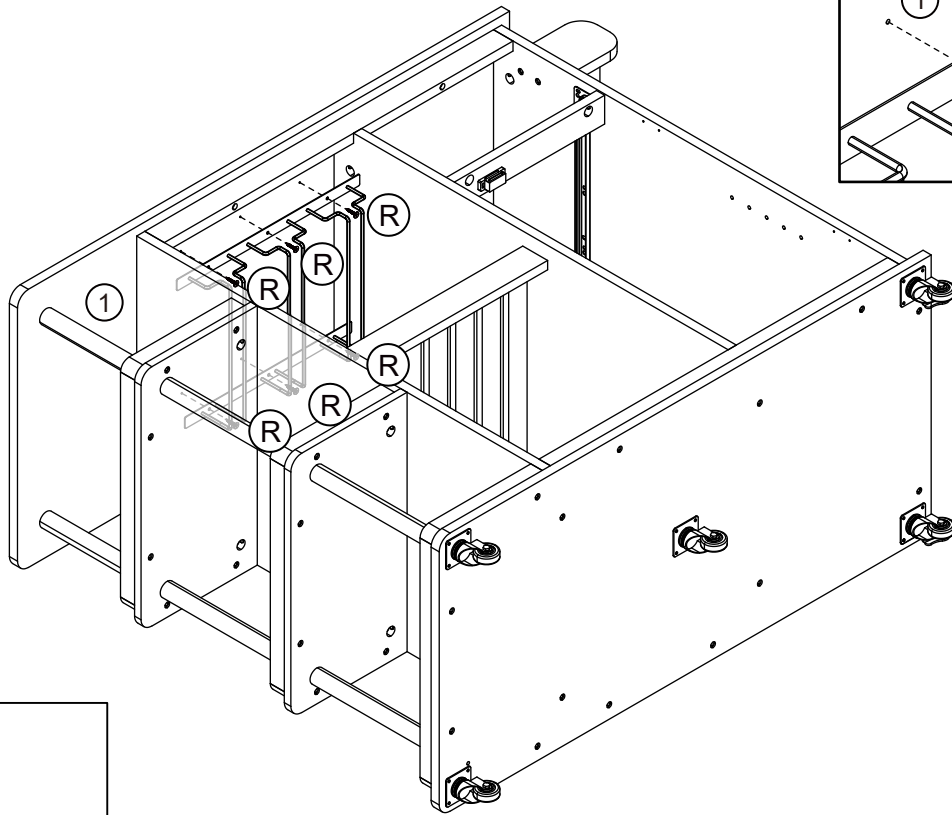


4*14mm Screw x 20



Assembly Instructions

Step 23

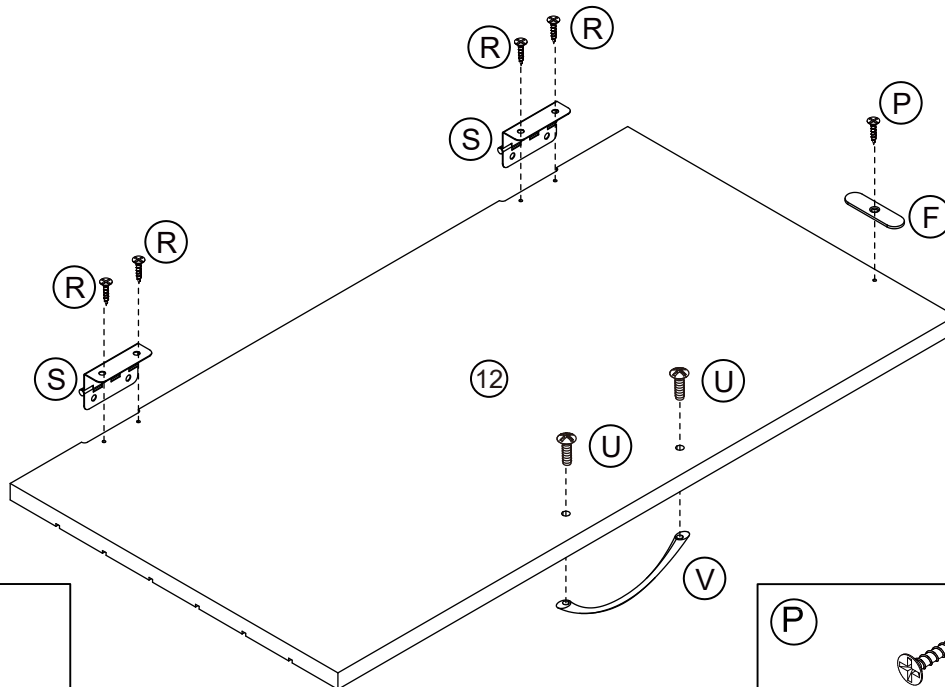


(R)



3.5*12mm Screw x 6

Step 24



(F)



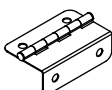
Iron sheet x 1

(R)



3.5*12mm Screw x 4

(S)



Hinge x 2

(V)



Hold hands x 1

(P)



3*10mm Screw x 1

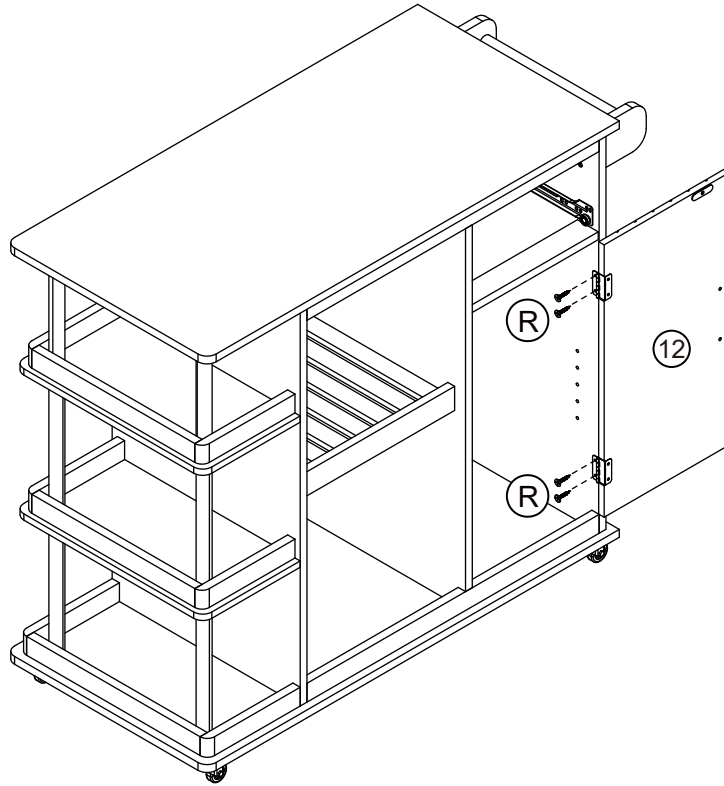
(U)



4*16mm Screw x 2

Assembly Instructions

Step 25

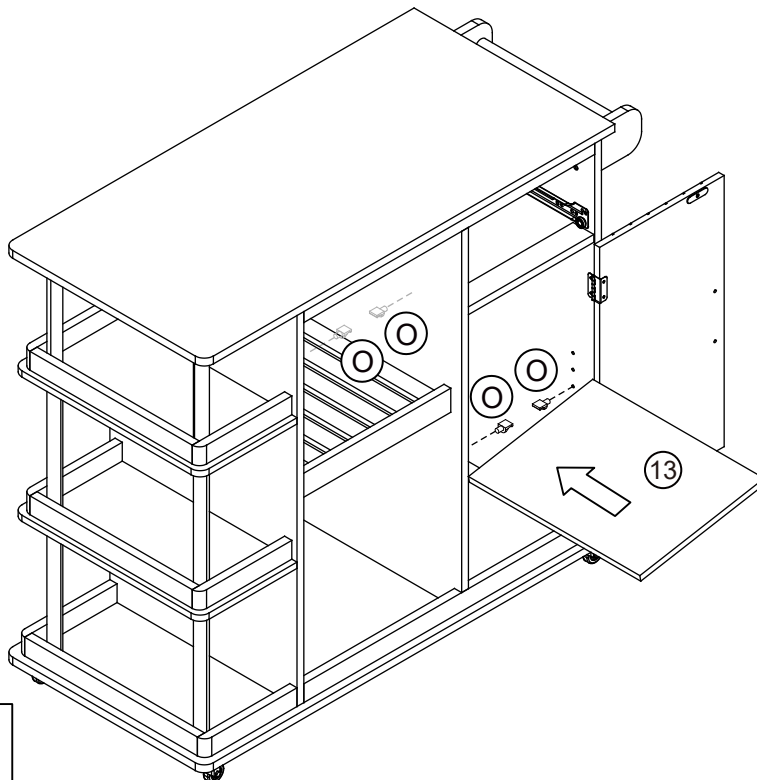


Ⓡ



3.5*12mm Screw x 4

Step 26



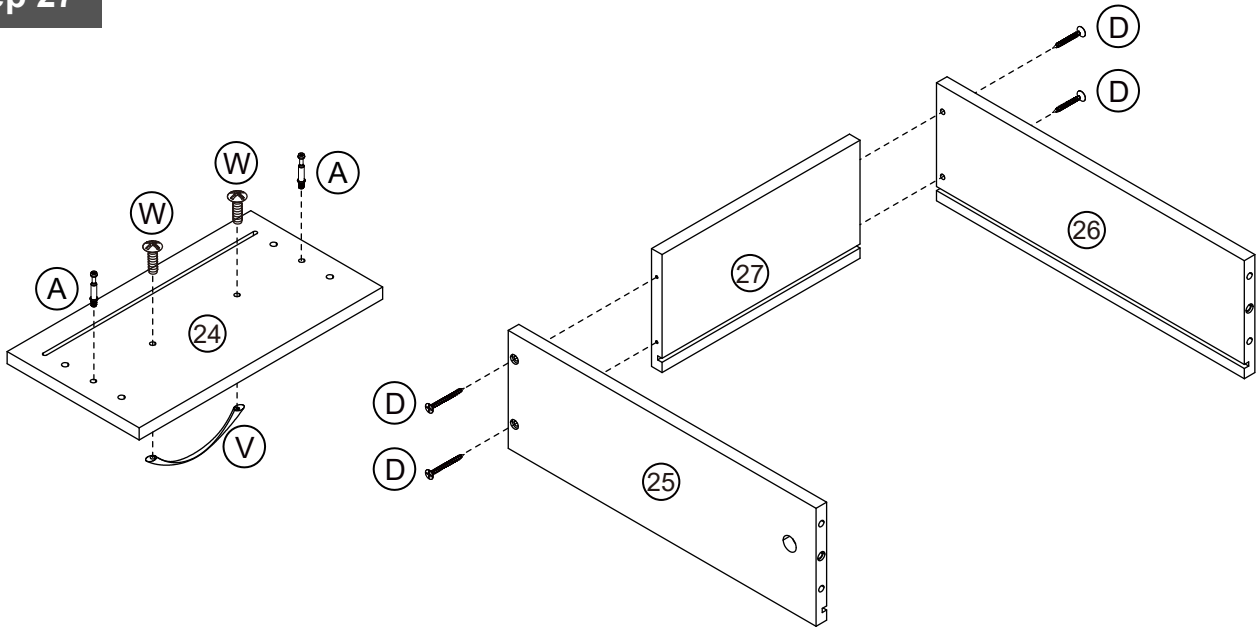
Ⓞ

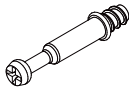


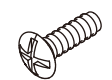


Shelf support pin x 4

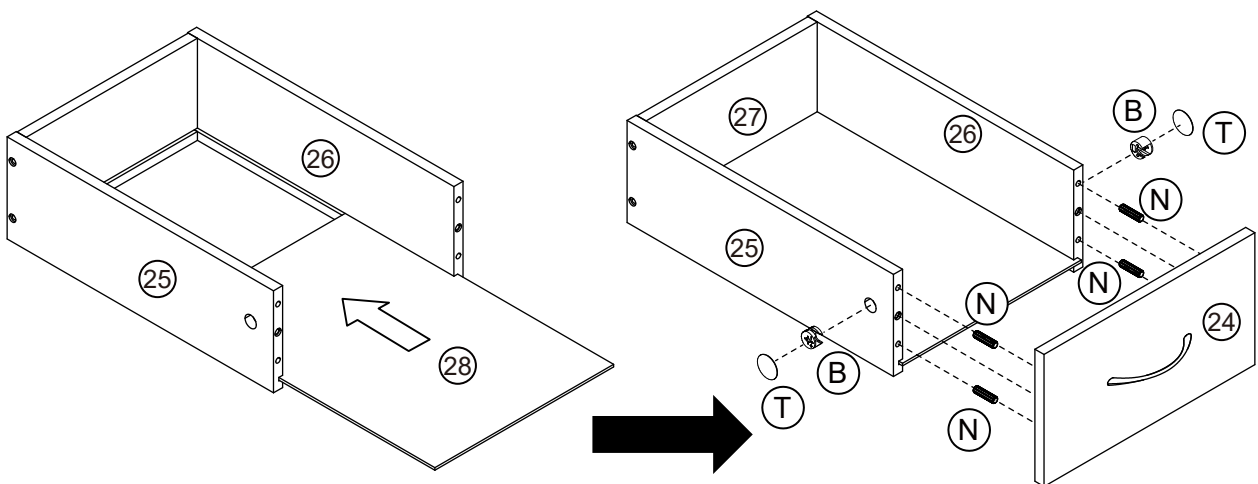
Assembly Instructions


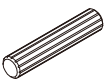

Step 27



<p>(A)</p>  <p>Cam Bolt x 2</p>	<p>(D)</p>  <p>4*30mm Screw x 4</p>	<p>(V)</p>  <p>Hold hands x 1</p>	<p>(W)</p>  <p>4*16mm Screw x 2</p>
---	---	--	---

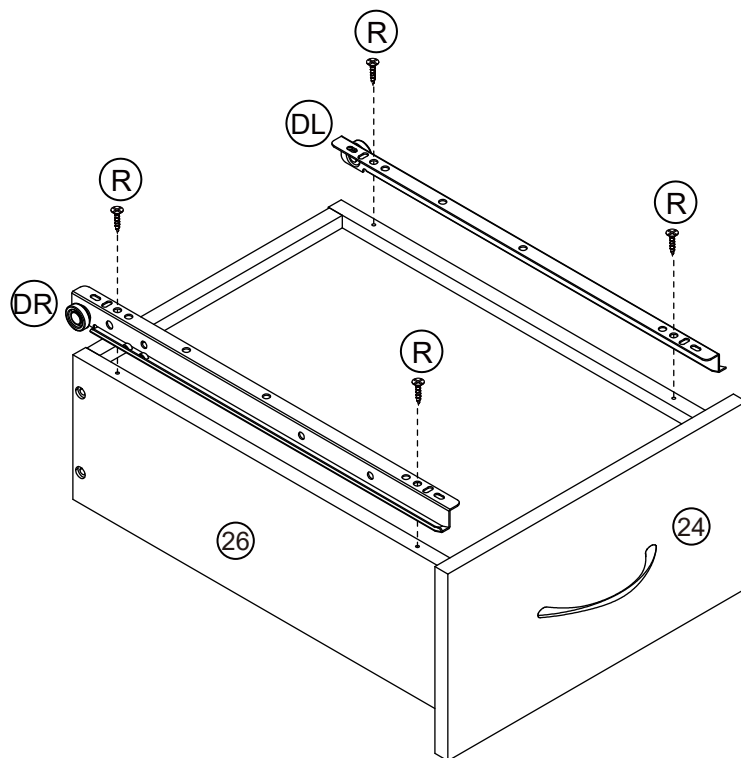
Step 28



<p>(B)</p>  <p>Cam lock x 2</p>	<p>(N)</p>  <p>6*30mm Dowel x 4</p>	<p>(T)</p>  <p>Hole to stick x 2</p>
---	---	---

Assembly Instructions

Step 29



(R)



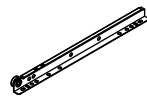
3.5*12mm Screw x 4

(DL)



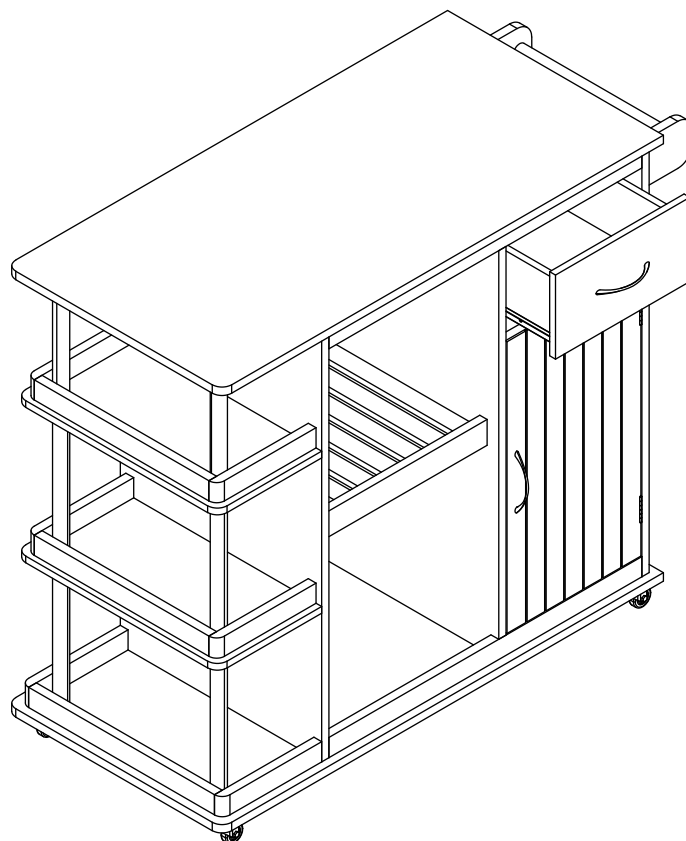
350mm runner x 1

(DR)



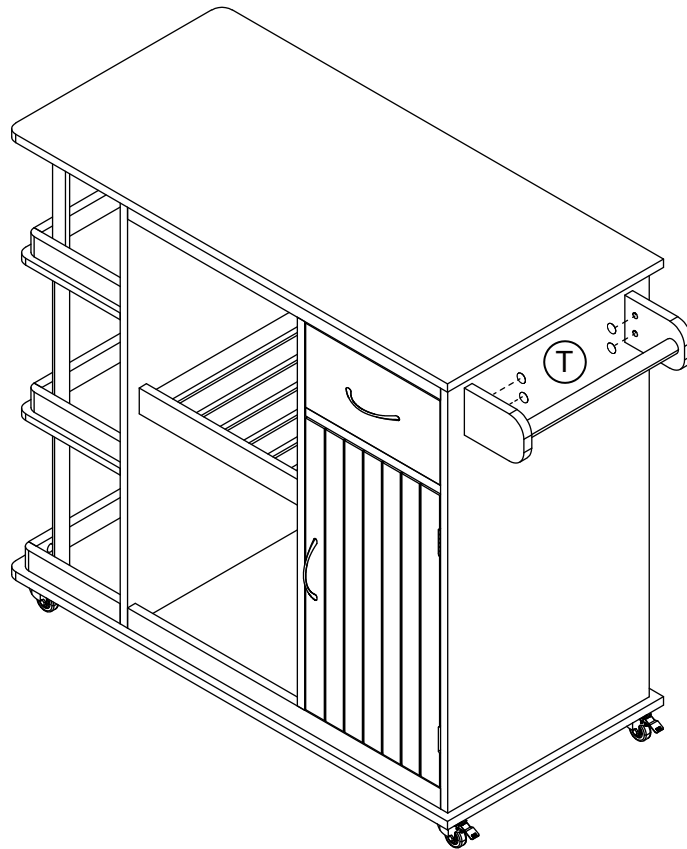
350mm runner x 1

Step 30



Assembly Instructions

Step 29



T



Hole to stick x 4

Step 30

