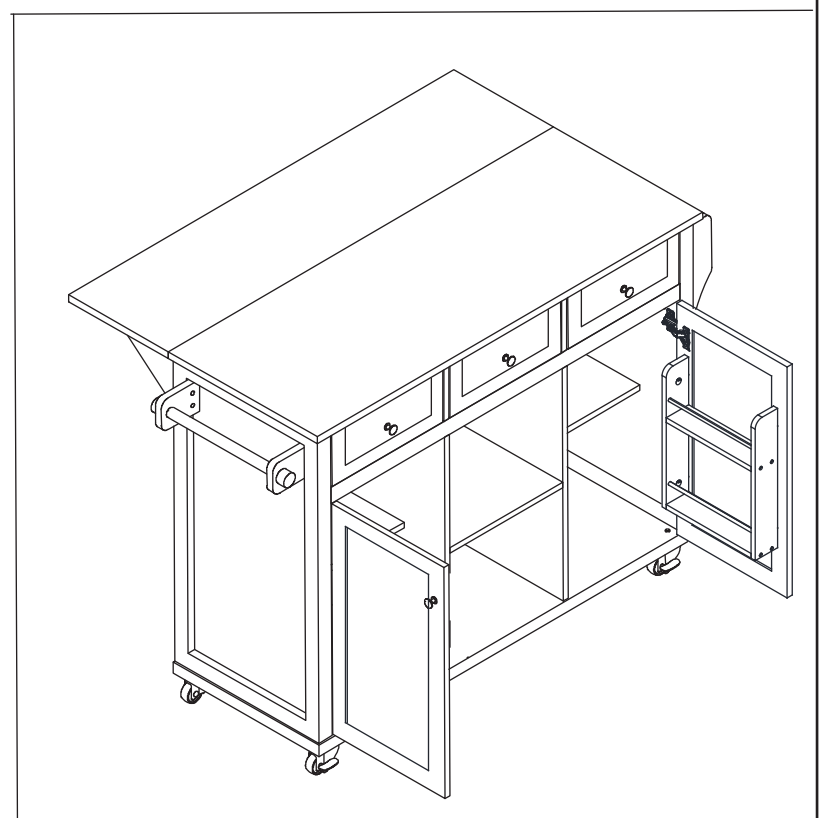
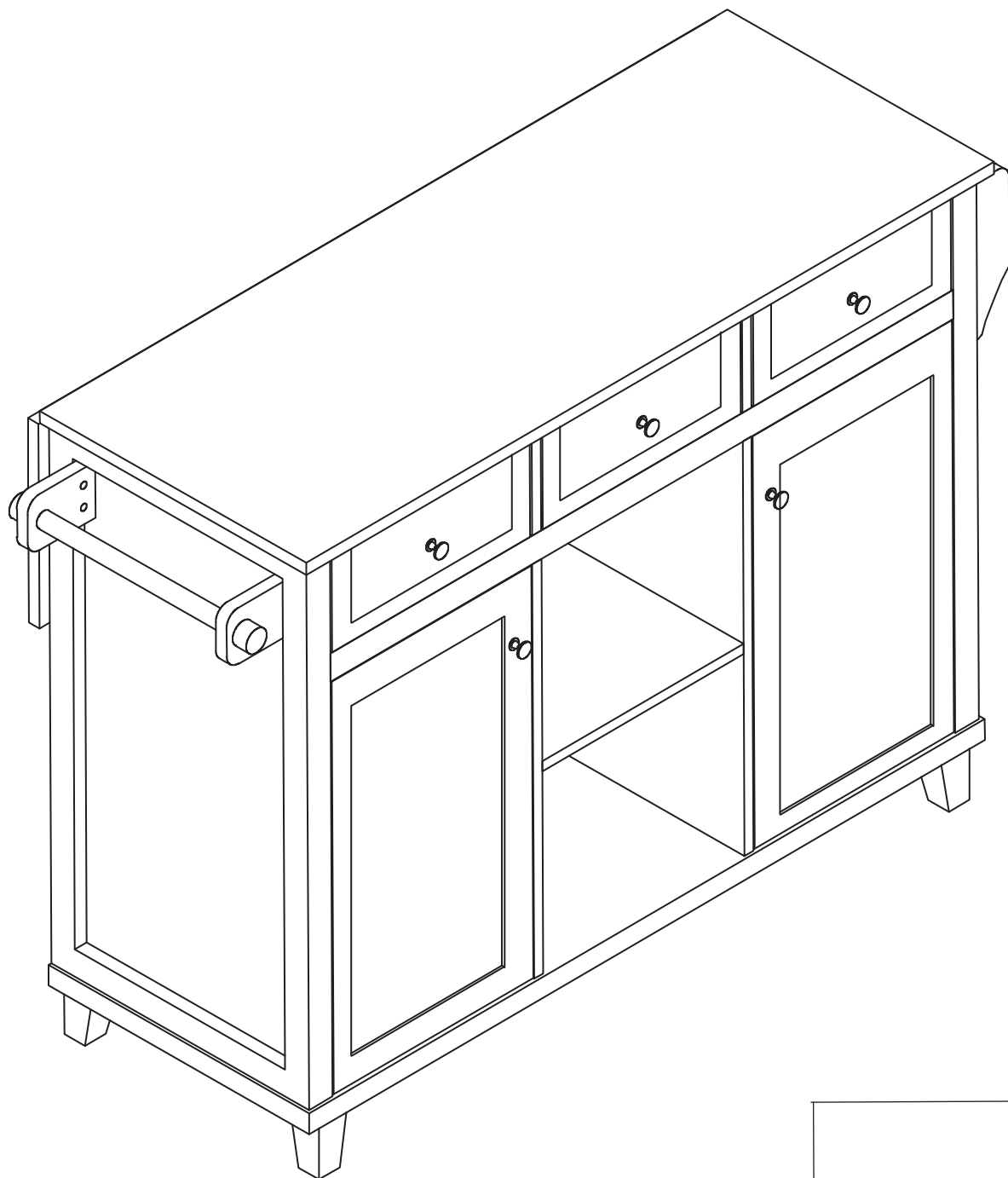
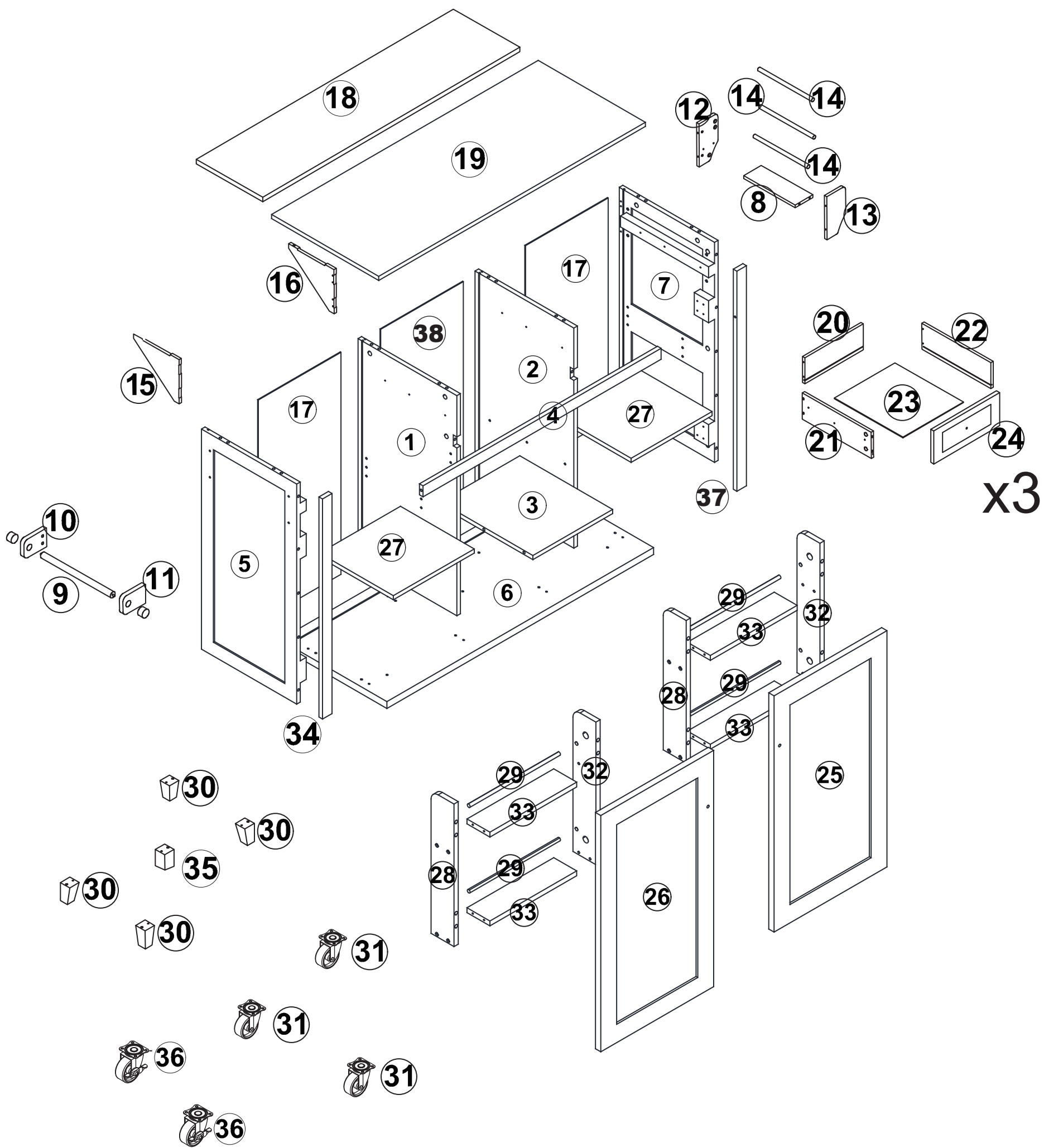
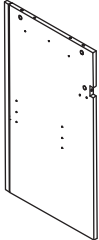
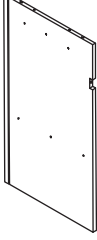
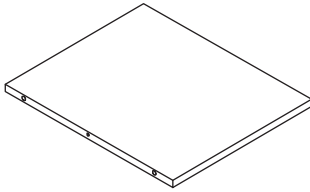
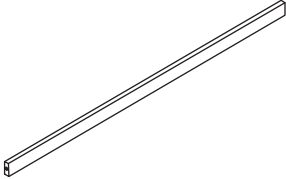
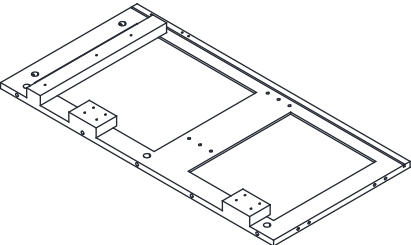
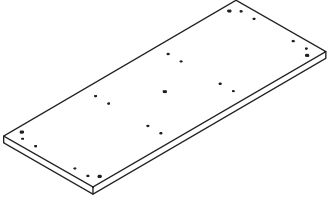
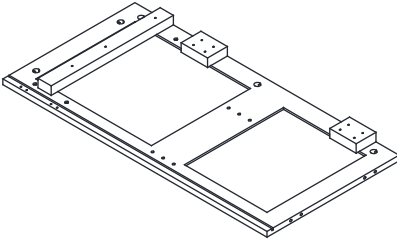
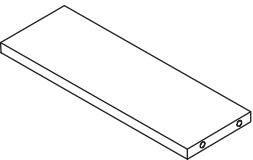
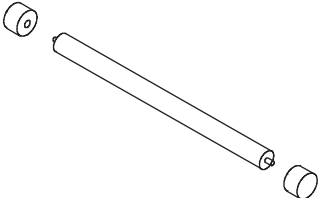
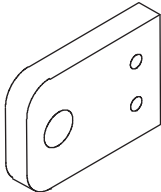
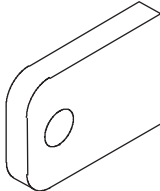
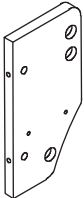

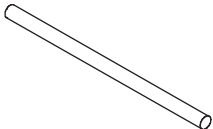
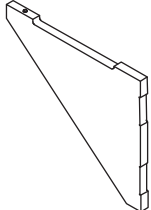
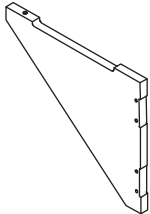

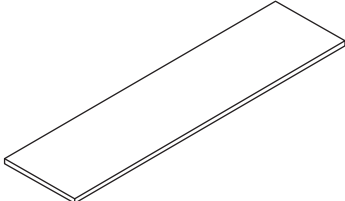
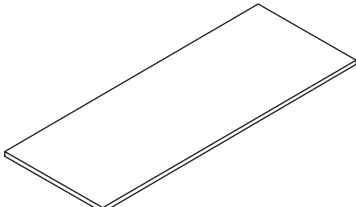
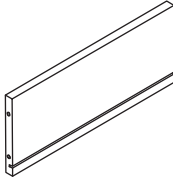
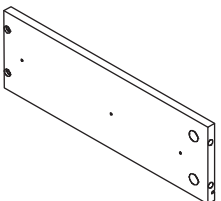
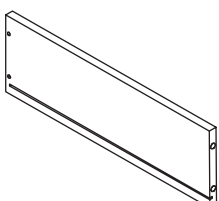
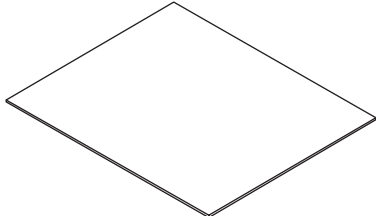
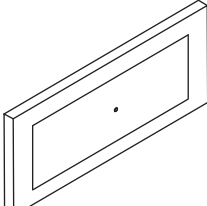
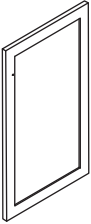
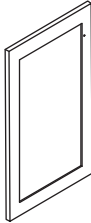
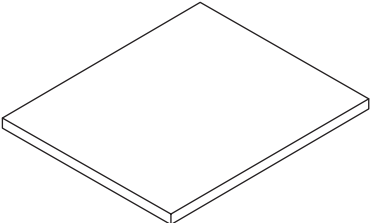
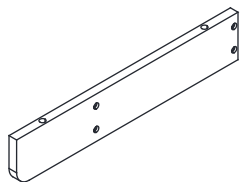


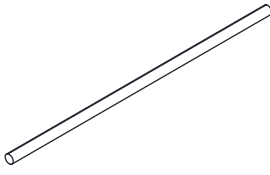
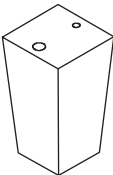
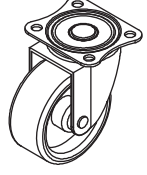
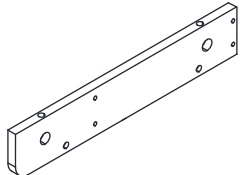
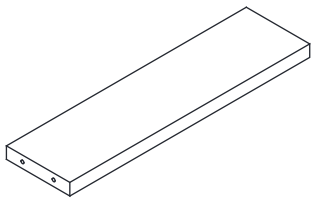
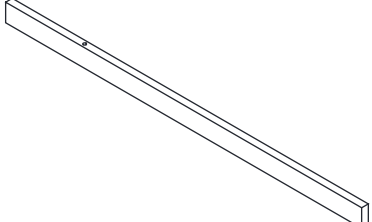
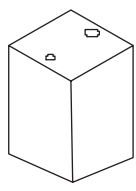
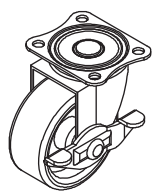
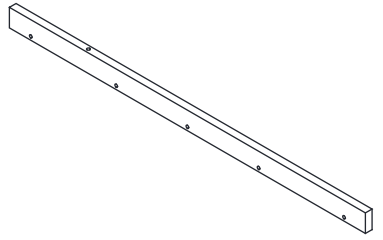

# ASSEMBLY INSRTRUCTION

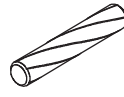
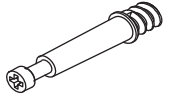

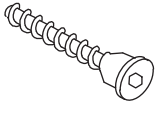
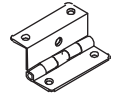
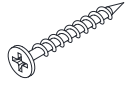

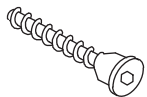



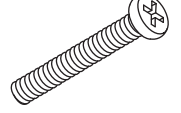
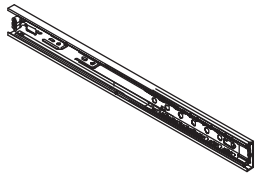
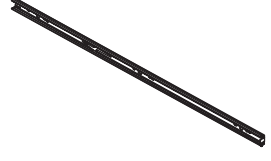
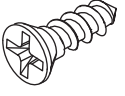
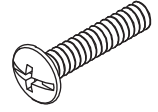
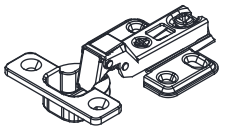

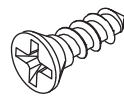

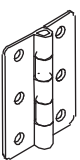
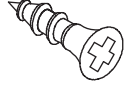
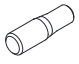
ITEM:KiTtchen Island Cart WF298028AAN&WF29802AAB&WF29802AAW



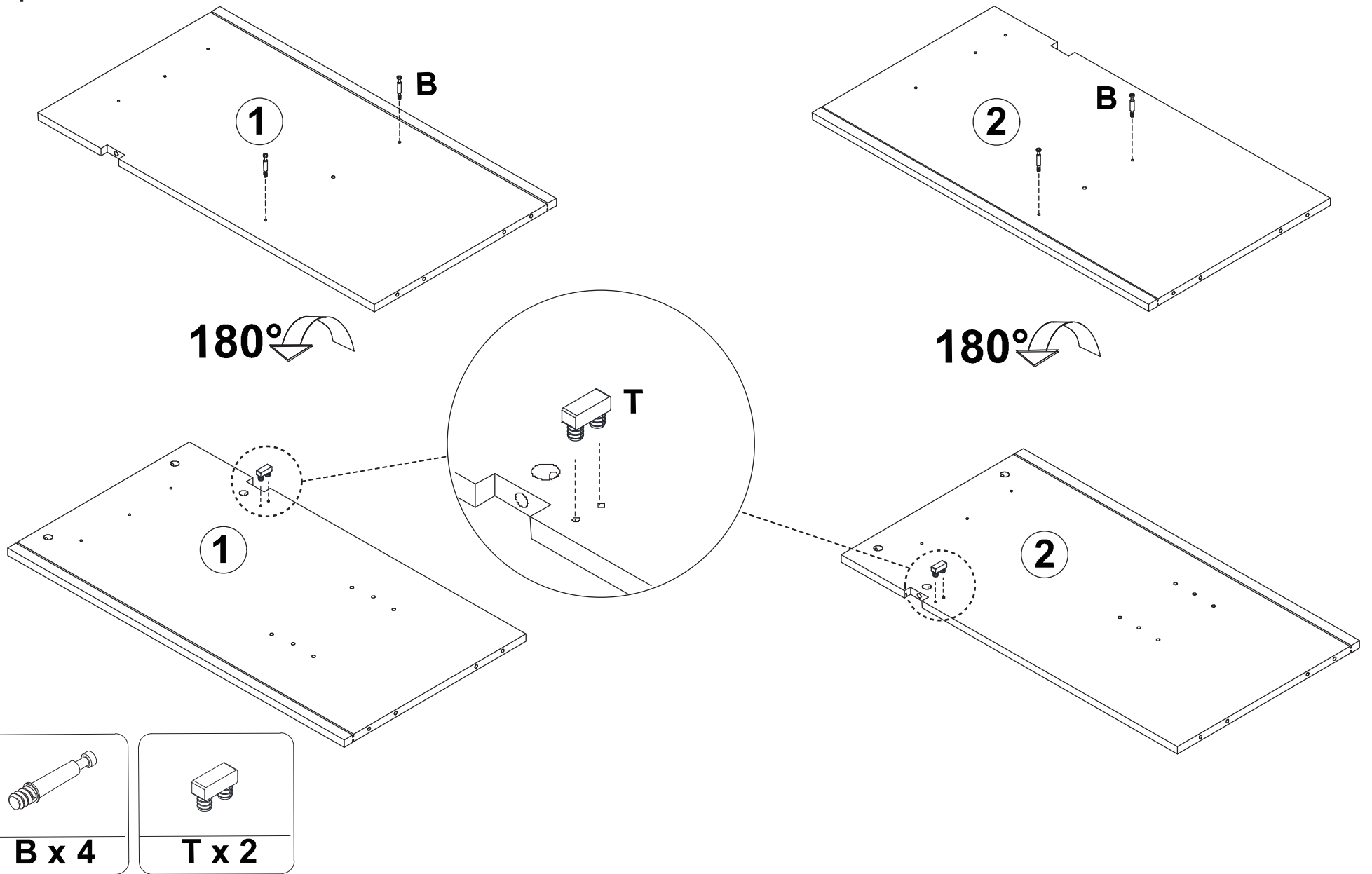


			
<b>① x 1</b>	<b>② x 1</b>	<b>③ x 1</b>	<b>④ x 1</b>
			
<b>⑤ x 1</b>	<b>⑥ x 1</b>	<b>⑦ x 1</b>	<b>⑧ x 1</b>
			
<b>⑨ x 1</b>	<b>⑩ x 1</b>	<b>⑪ x 1</b>	<b>⑫ x 1</b>
			
<b>⑬ x 1</b>	<b>⑭ x 3</b>	<b>⑮ x 1</b>	<b>⑯ x 1</b>
			
<b>⑰ x 2</b>	<b>⑱ x 1</b>	<b>⑲ x 1</b>	<b>⑳ x 3</b>
			
<b>㉑ x 3</b>	<b>㉒ x 3</b>	<b>㉓ x 3</b>	<b>㉔ x 3</b>
			
<b>㉕ x 1</b>	<b>㉖ x 1</b>	<b>㉗ x 2</b>	<b>㉘ x 2</b>

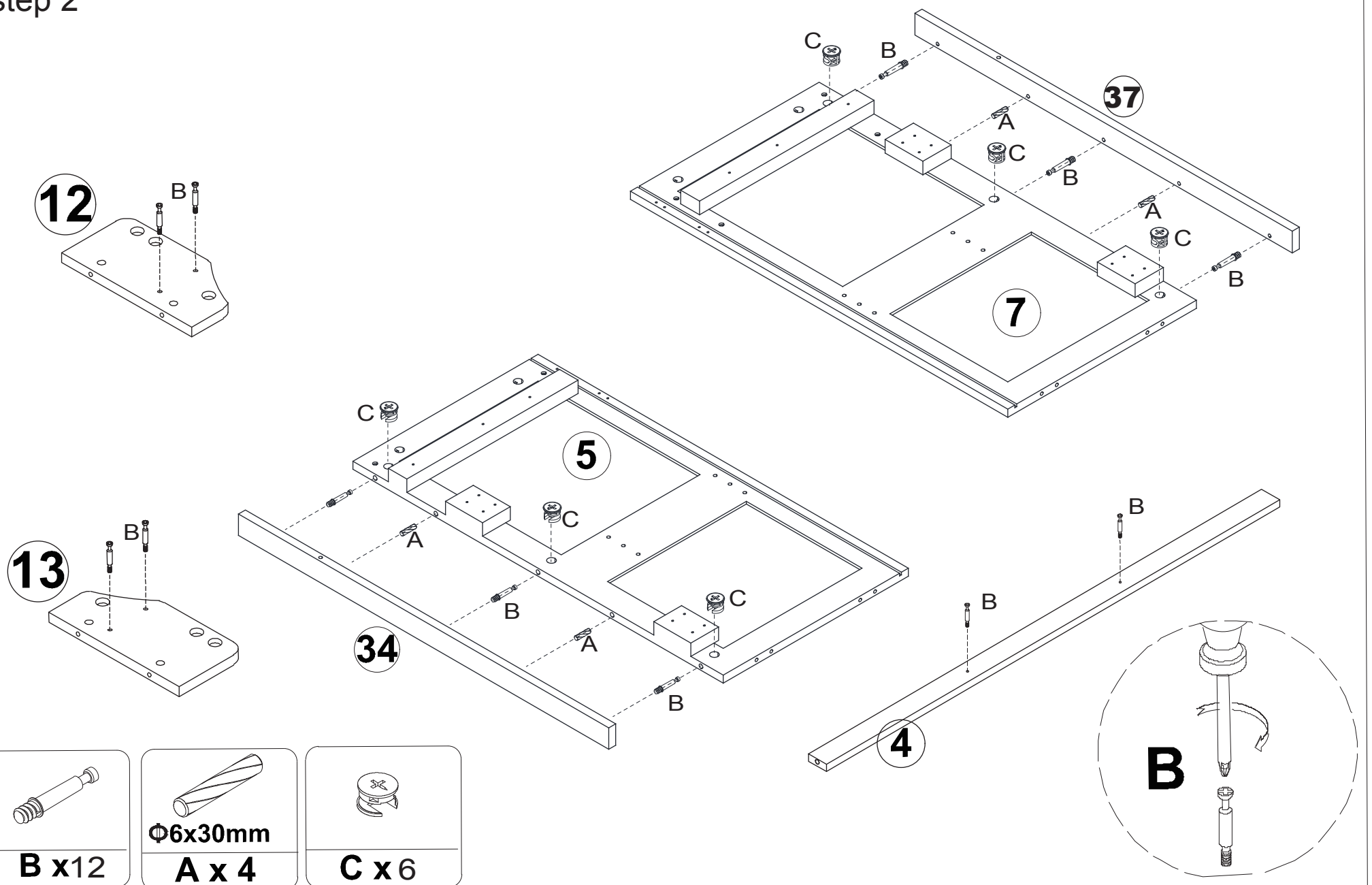
			
<b>29 x 4</b>	<b>30 x 4</b>	<b>31 x 3</b>	<b>32 x 2</b>
			
<b>33 x 4</b>	<b>34 x 1</b>	<b>35 x 1</b>	<b>36 x 2</b>
			
<b>37 x 1</b>	<b>38 x 1</b>		

					
<b>Φ6x30mm</b>			<b>Φ5x50mm</b>		<b>M4x40mm</b>
<b>A x 29</b>	<b>B x 44</b>	<b>C x 44</b>	<b>D x 4</b>	<b>E x 4</b>	<b>F x 4</b>
					
<b>Φ 4x14mm</b>	<b>M5x40mm</b>	<b>Φ4x35mm</b>			<b>M6x45mm</b>
<b>G x 20</b>	<b>H x 5</b>	<b>I x 28</b>	<b>J x 1</b>	<b>K x 8</b>	<b>L x 8</b>
					
<b>M x 6</b>	<b>N x 6</b>	<b>Φ3x12mm</b> <b>O x 36</b>	<b>Φ 4x14mm</b> <b>P x 5</b>	<b>Q x 4</b>	<b>R x 5</b>
					
<b>Φ4x14mm</b> <b>S x 24</b>	<b>T x 2</b>	<b>U x 3</b>	<b>Φ3x14mm</b> <b>V x 38</b>	<b>Wx8</b>	

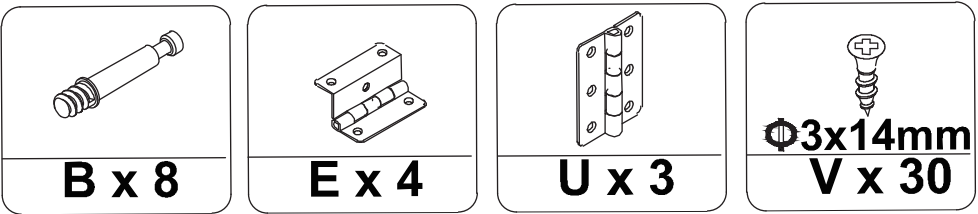
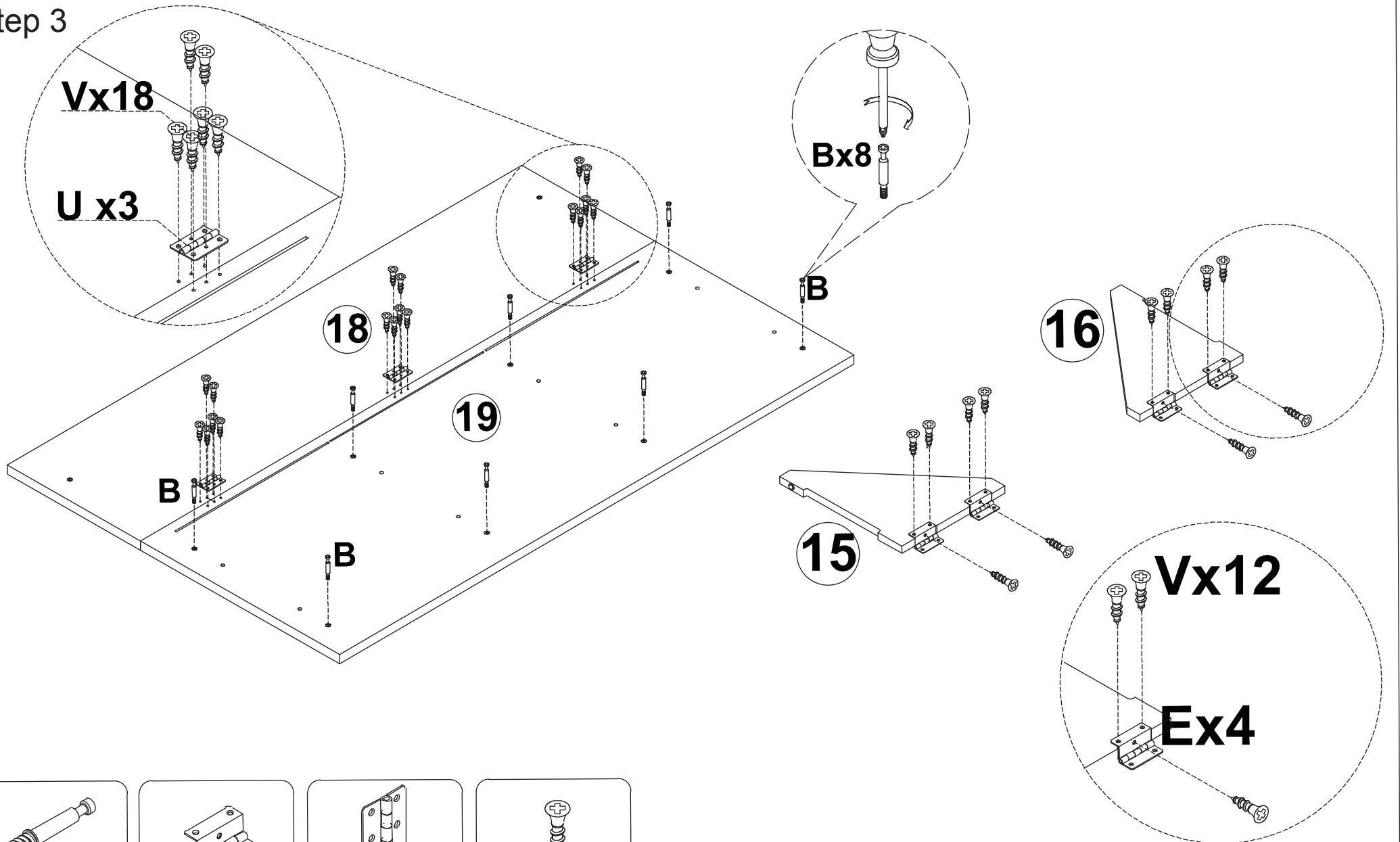
step 1



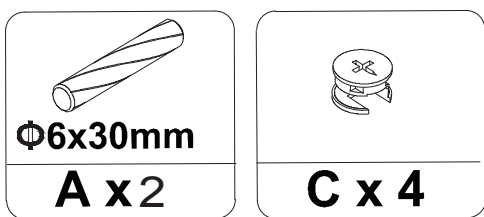
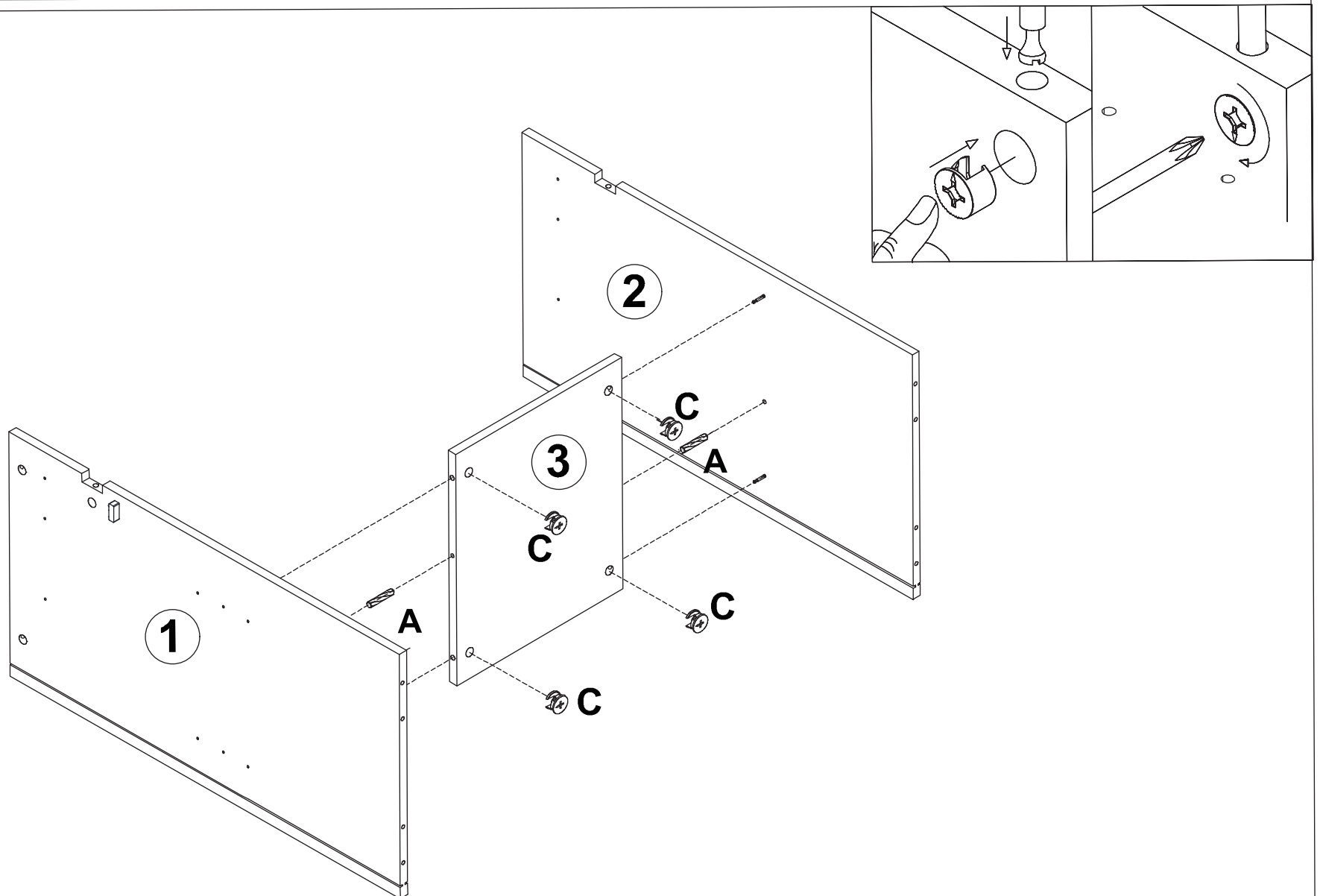
step 2



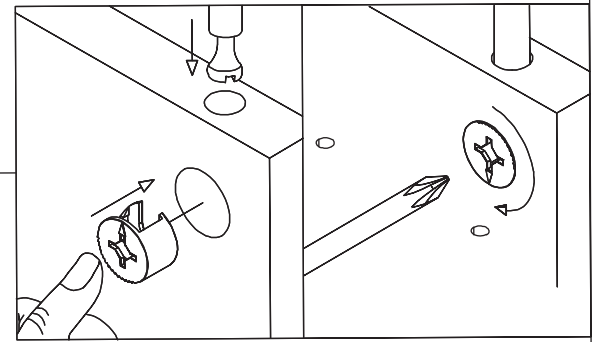
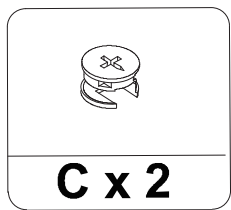
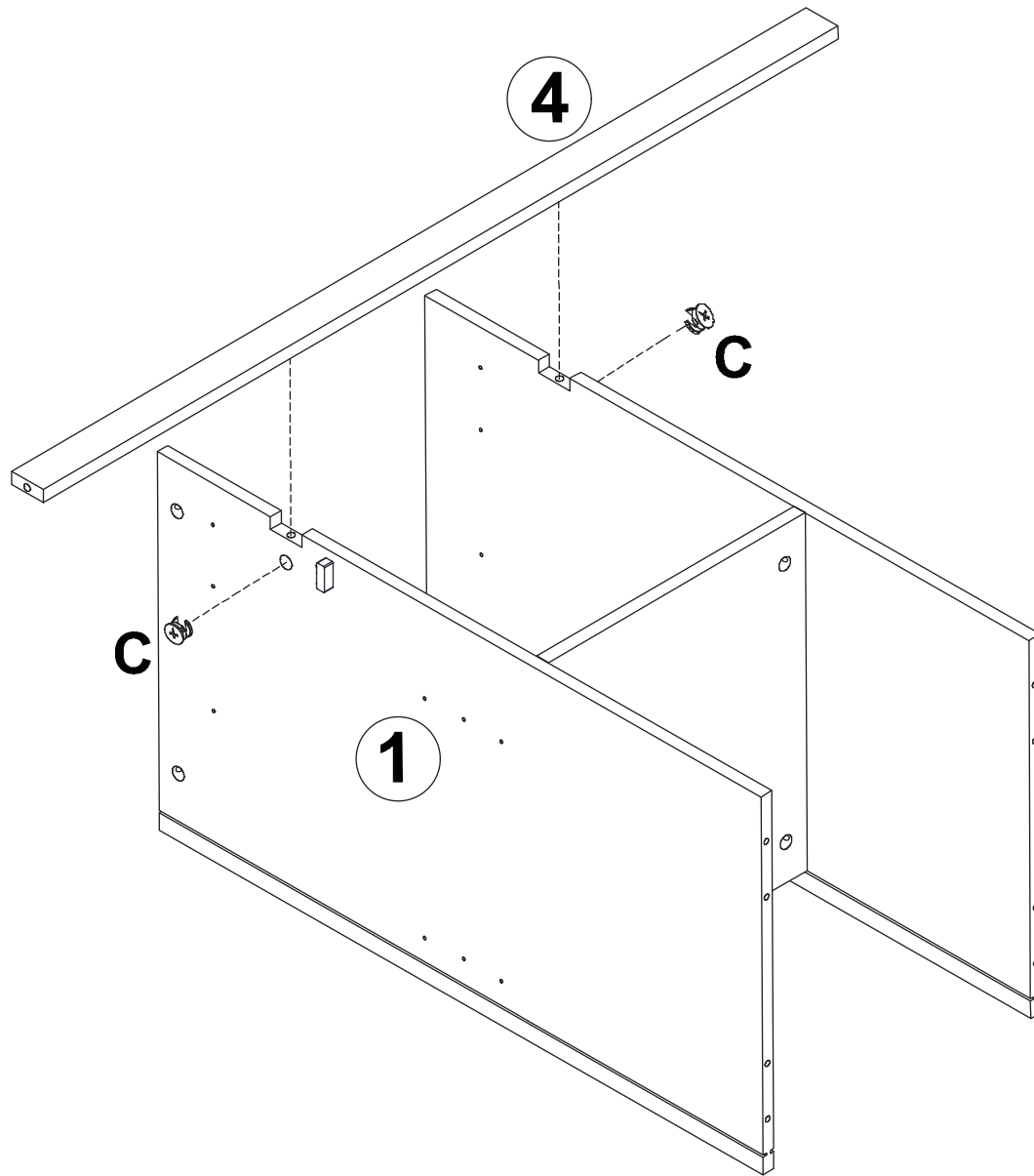
step 3



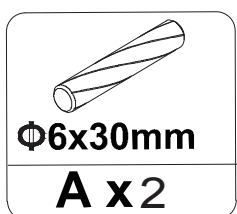
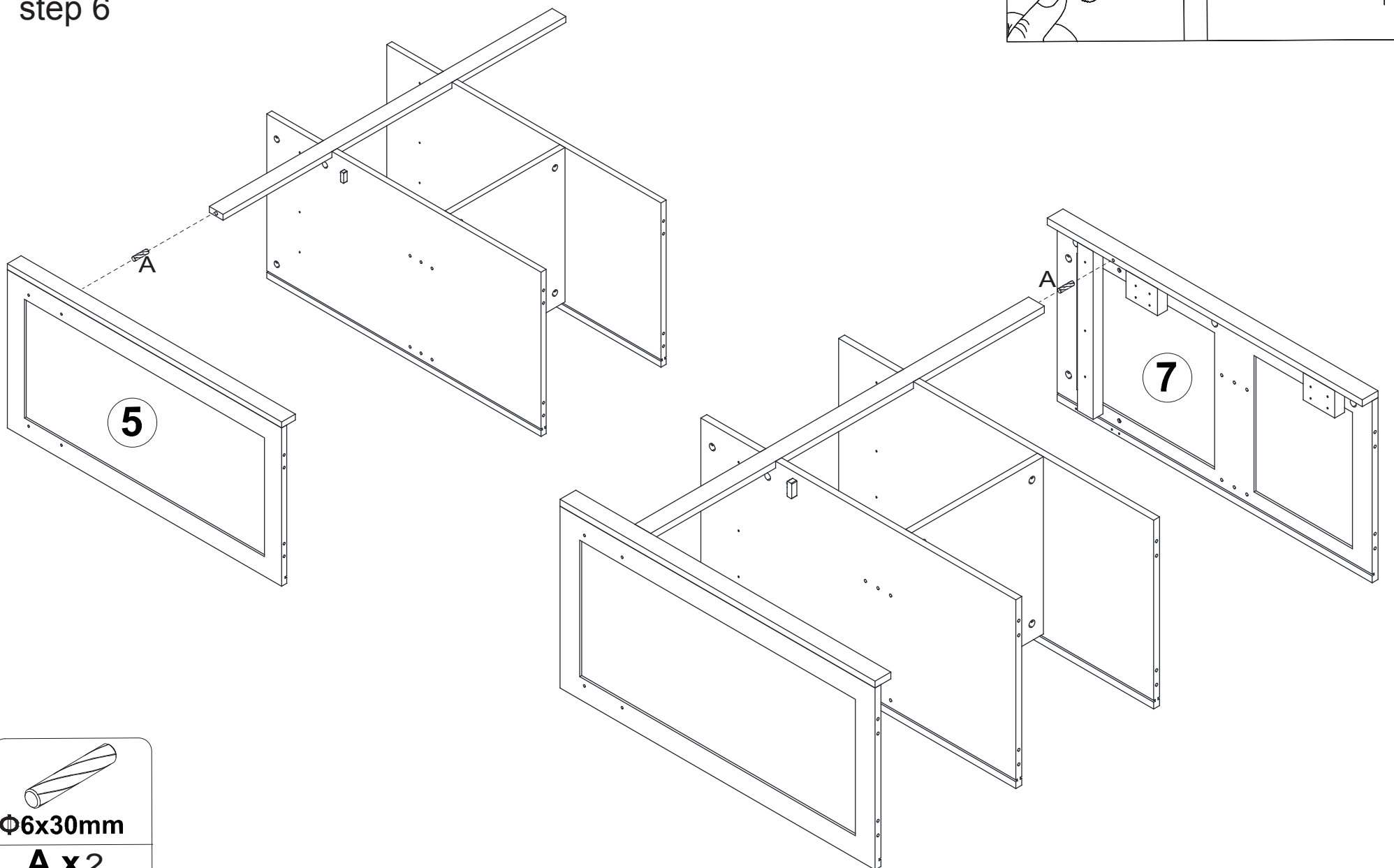
step 4



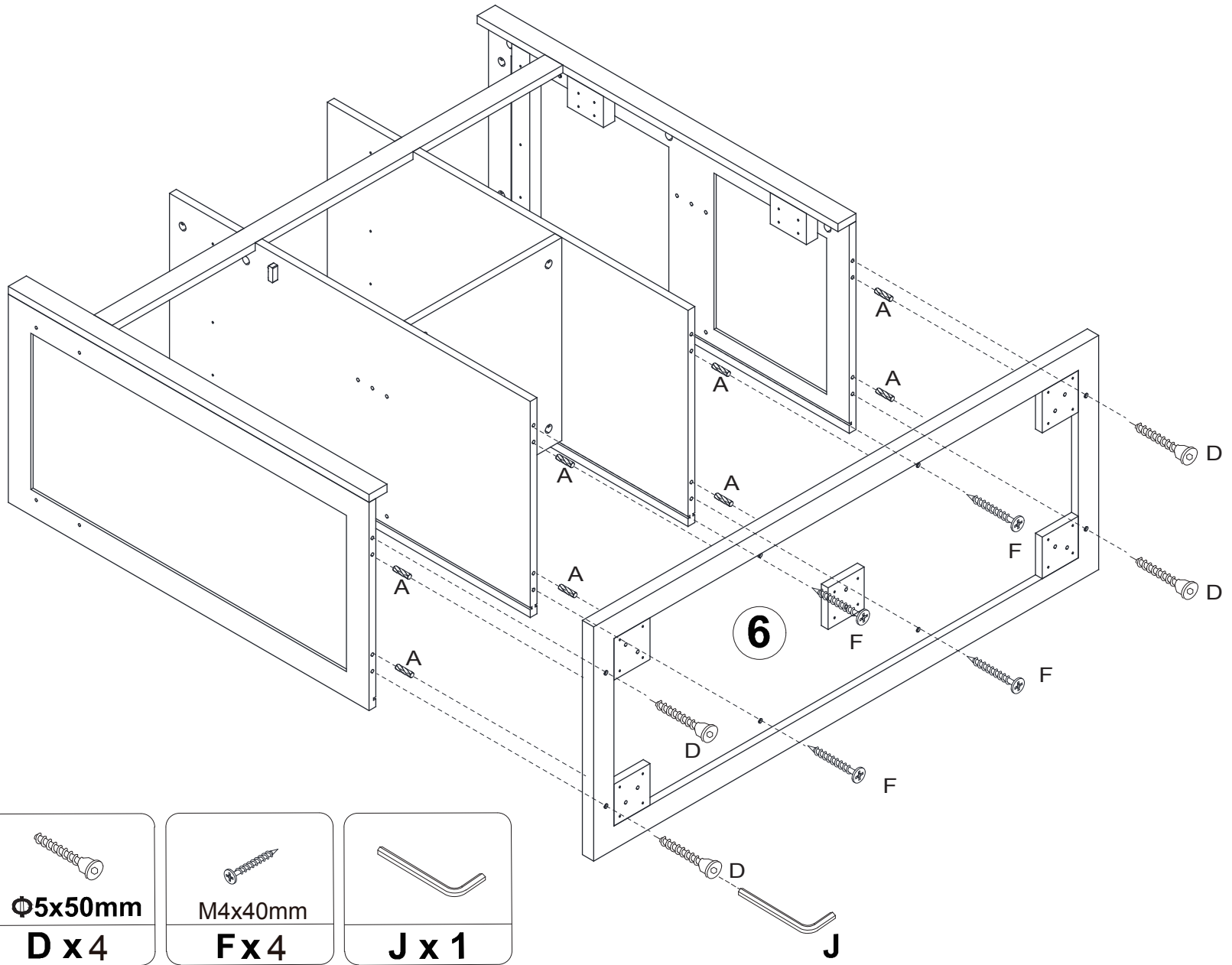
step 5


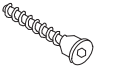

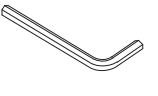


step 6



step 7



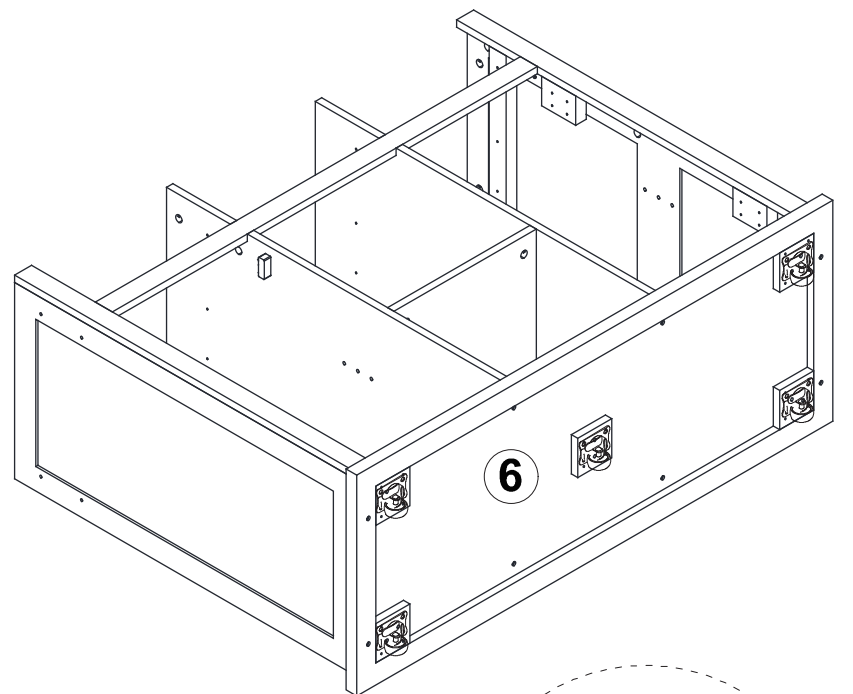
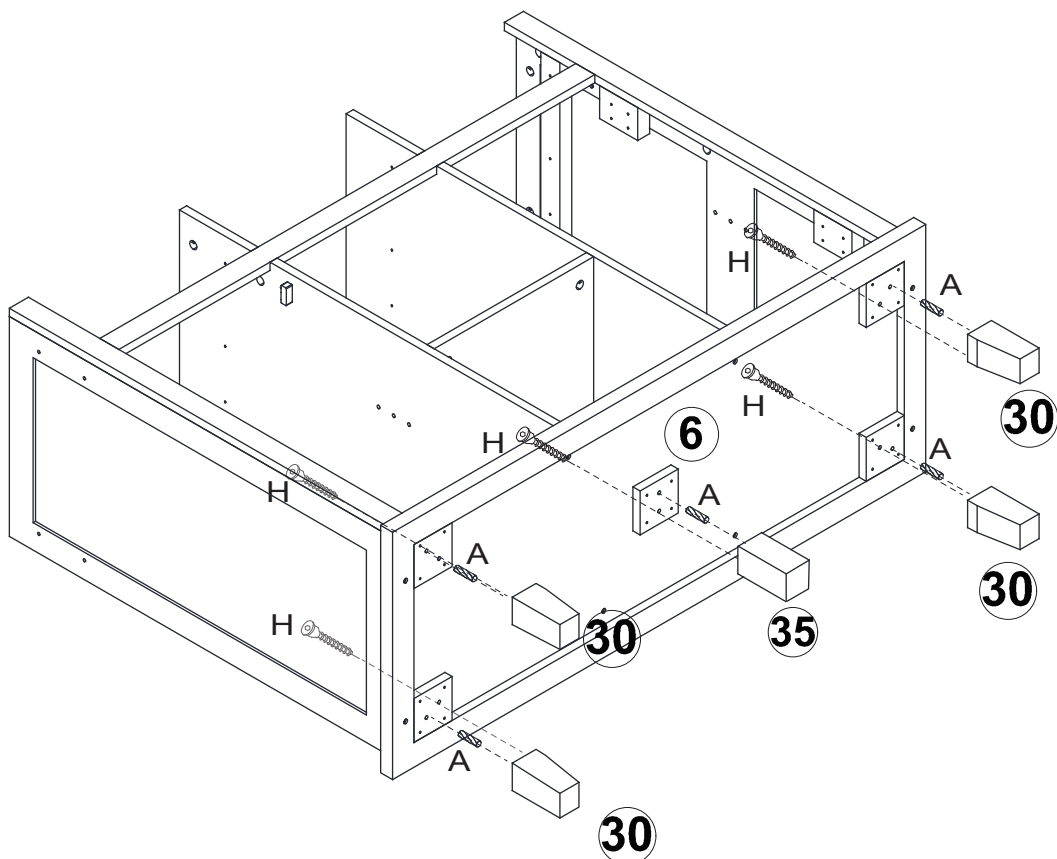
 $\Phi 6 \times 30 \text{mm}$ <b>A x 8</b>	 $\Phi 5 \times 50 \text{mm}$ <b>D x 4</b>	 M4x40mm <b>F x 4</b>	 <b>J x 1</b>
---	---	--	---


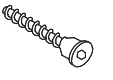
step 8

Plan 1

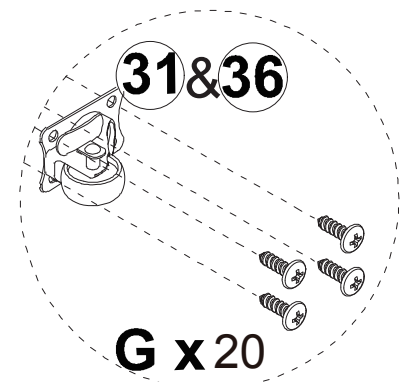
or

Plan 2



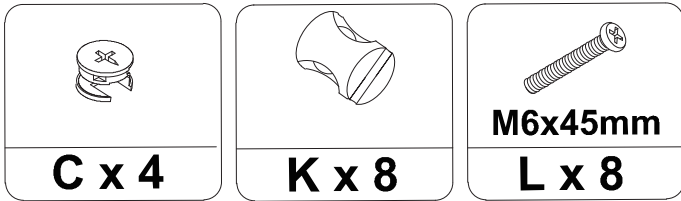
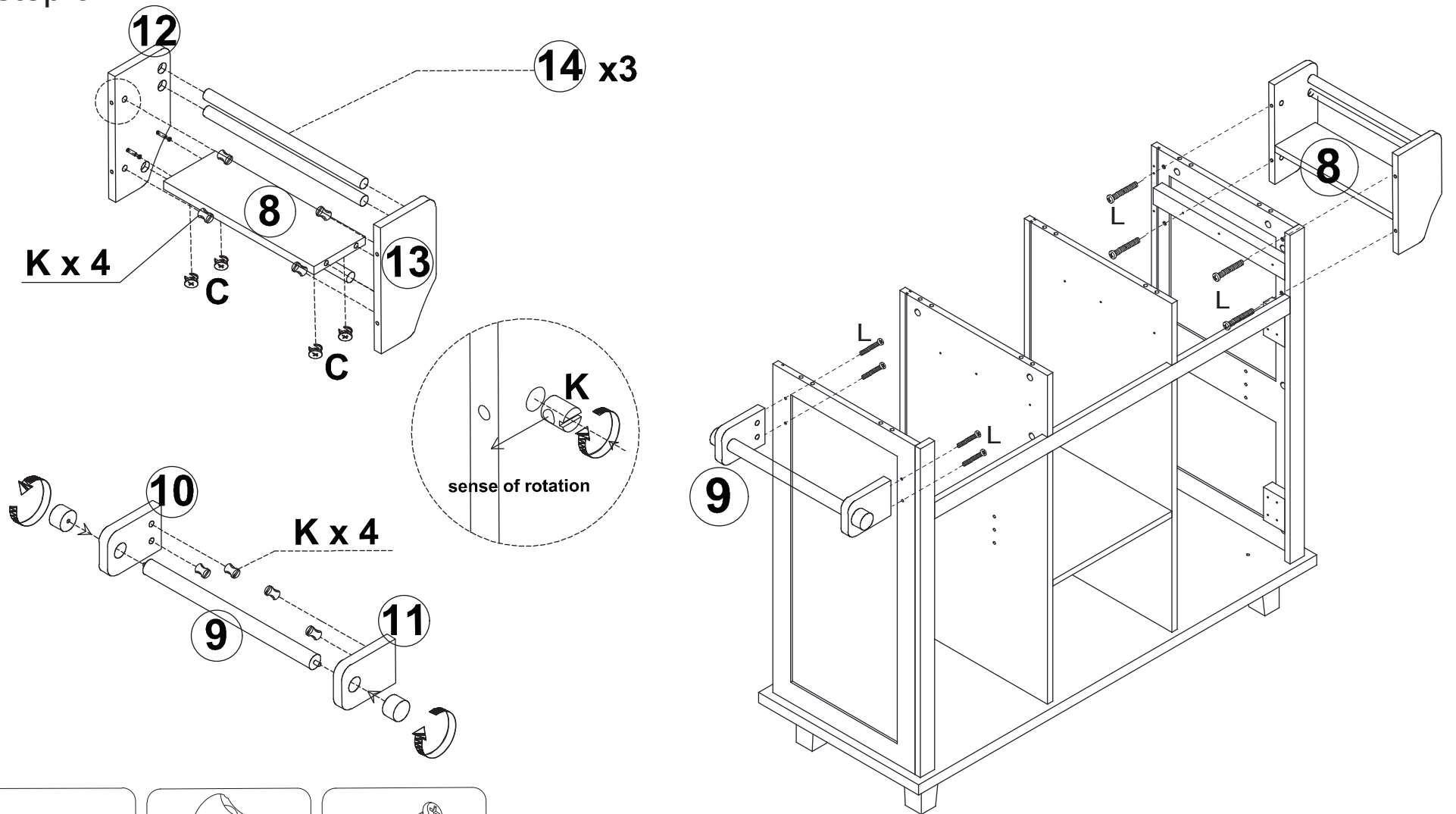
 $\Phi 6 \times 30 \text{mm}$ <b>A x 5</b>	 M5x40mm <b>H x 5</b>
---	--

 $\Phi 4 \times 14 \text{mm}$ <b>G x 20</b>
--

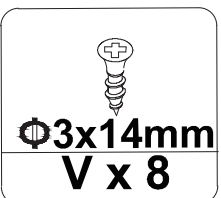
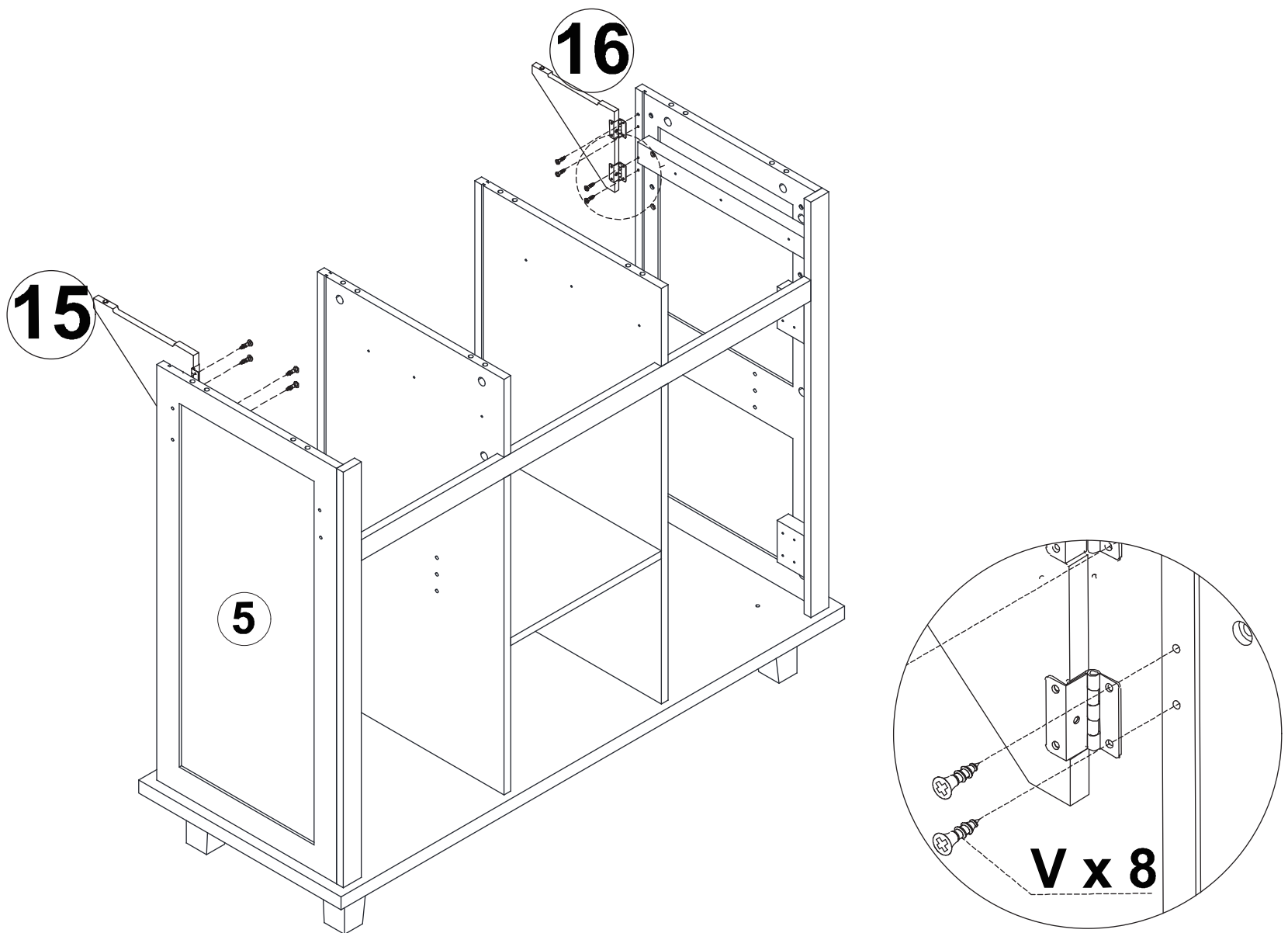




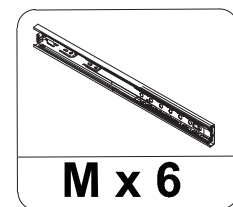
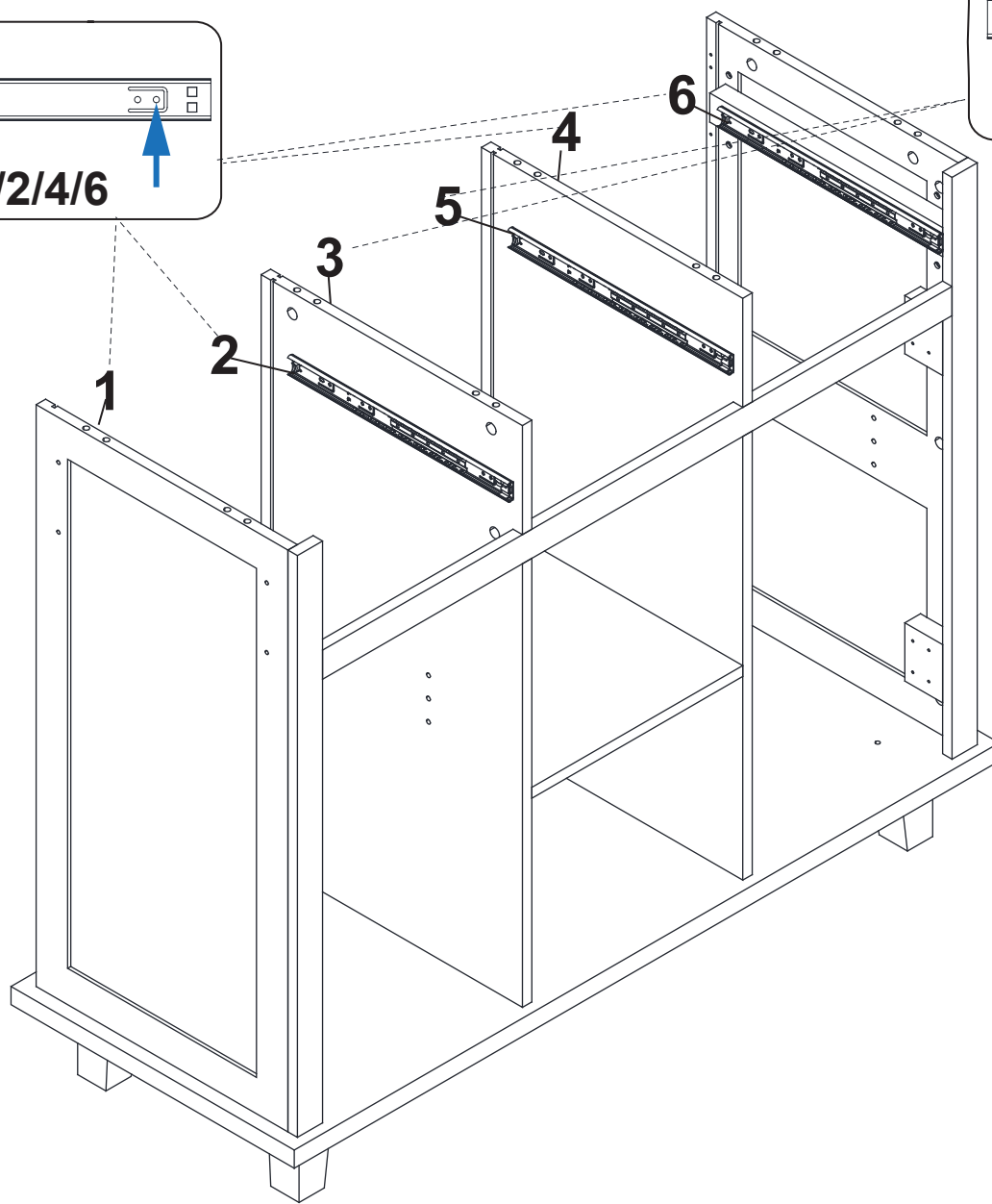
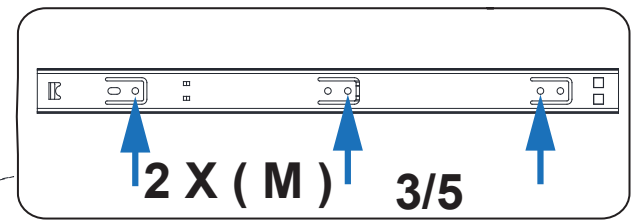
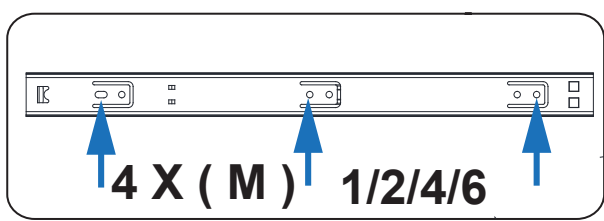
step 9



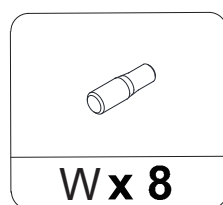
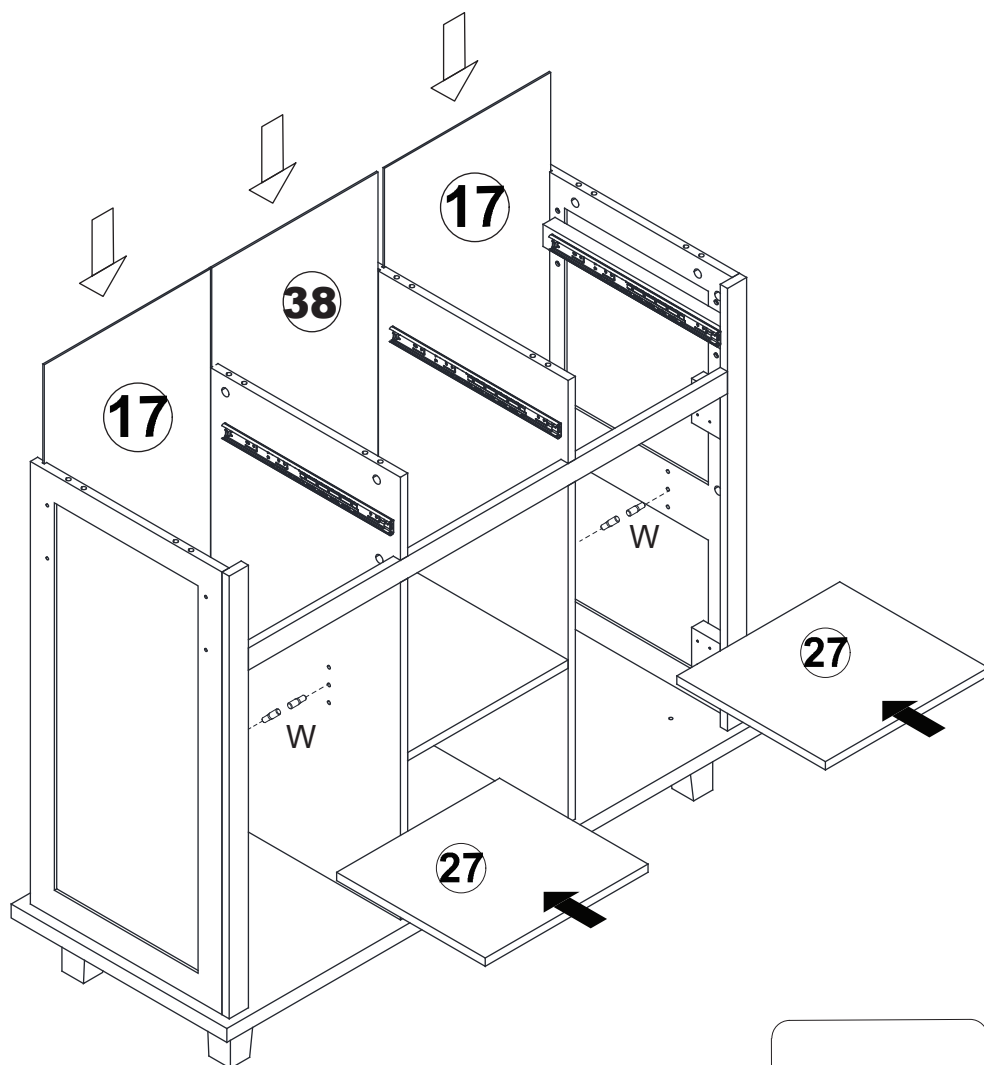
step 10



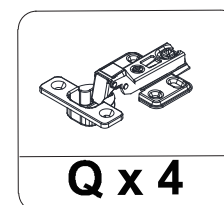
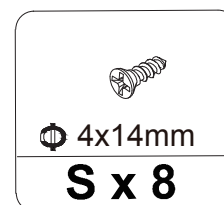
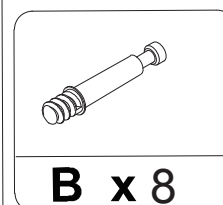
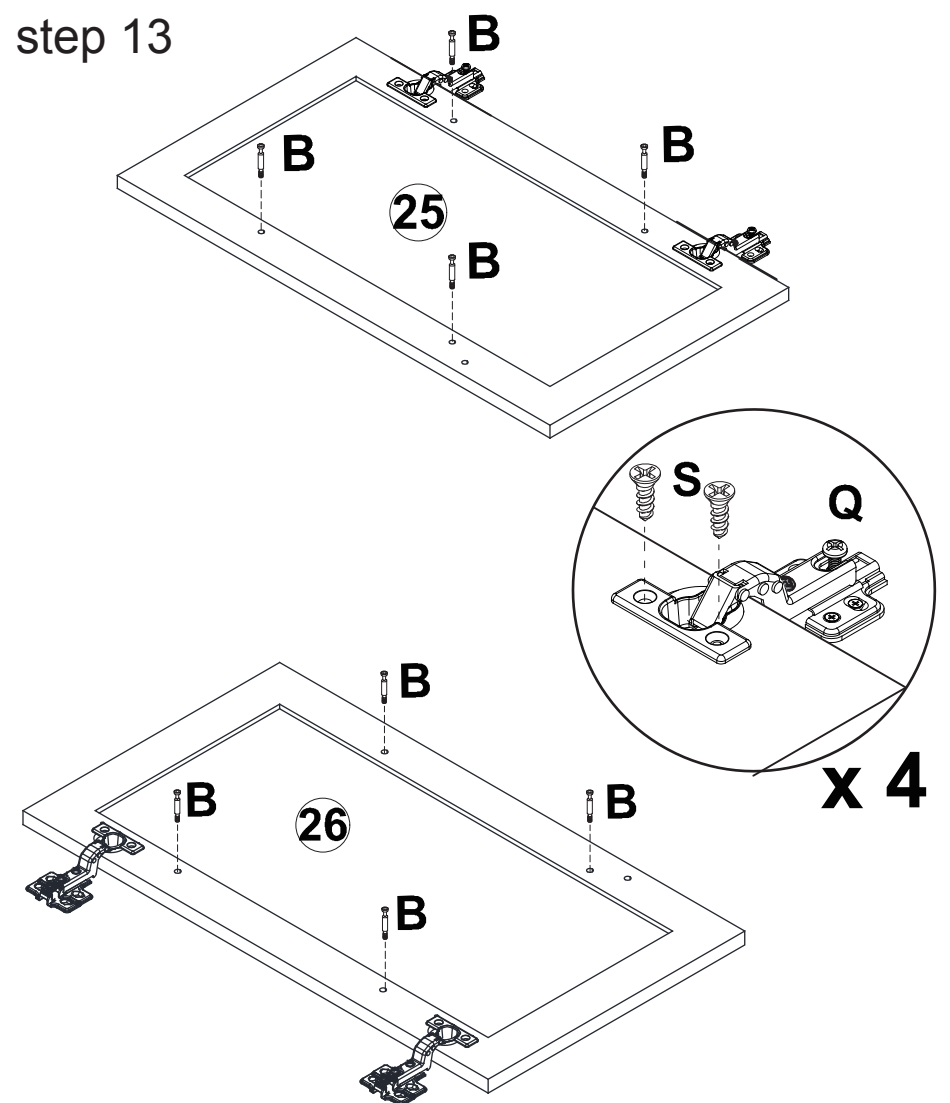
step 11



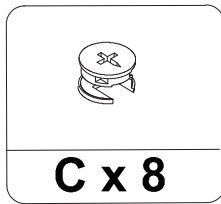
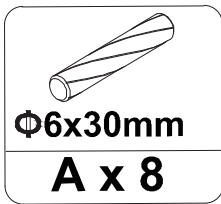
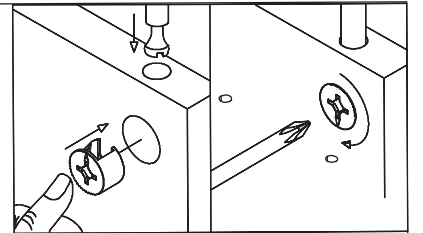
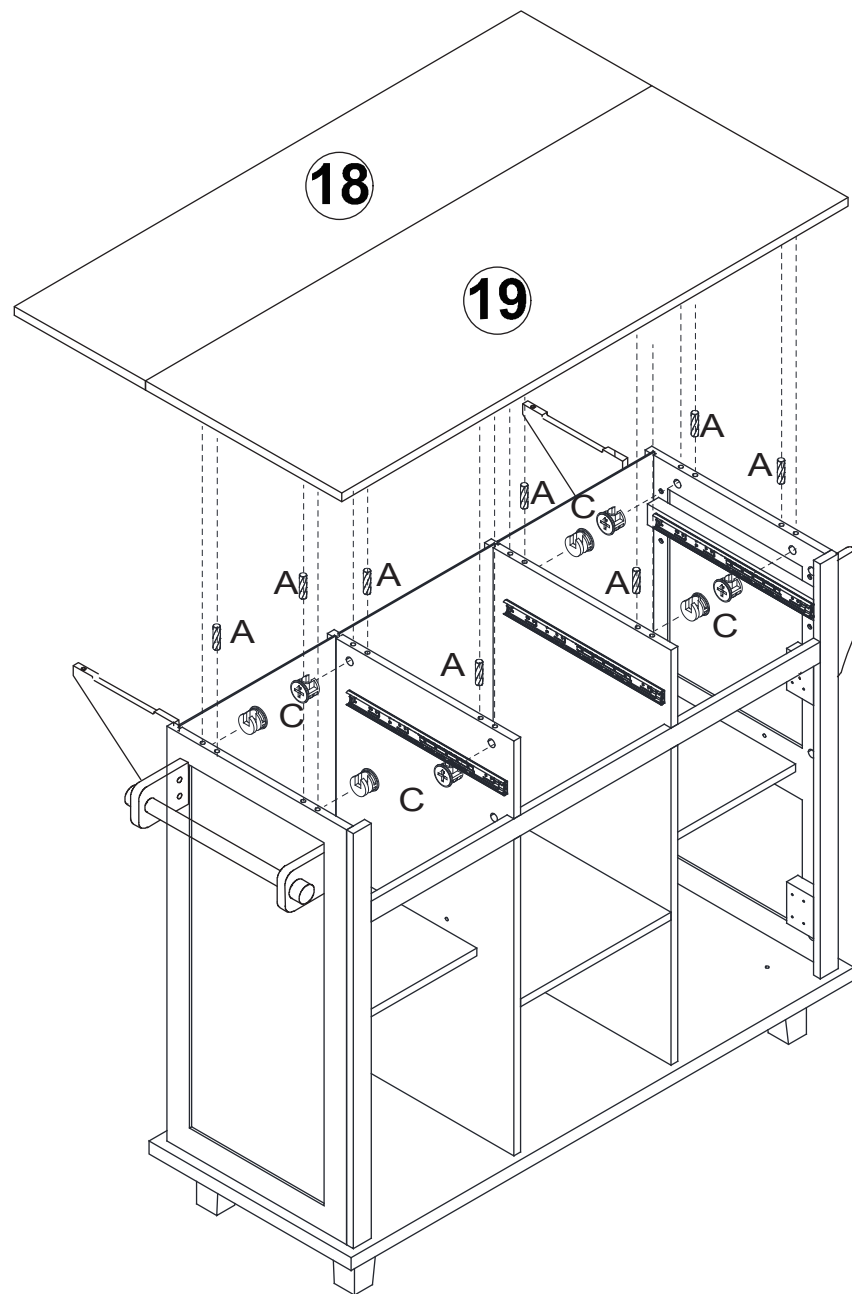
step 12



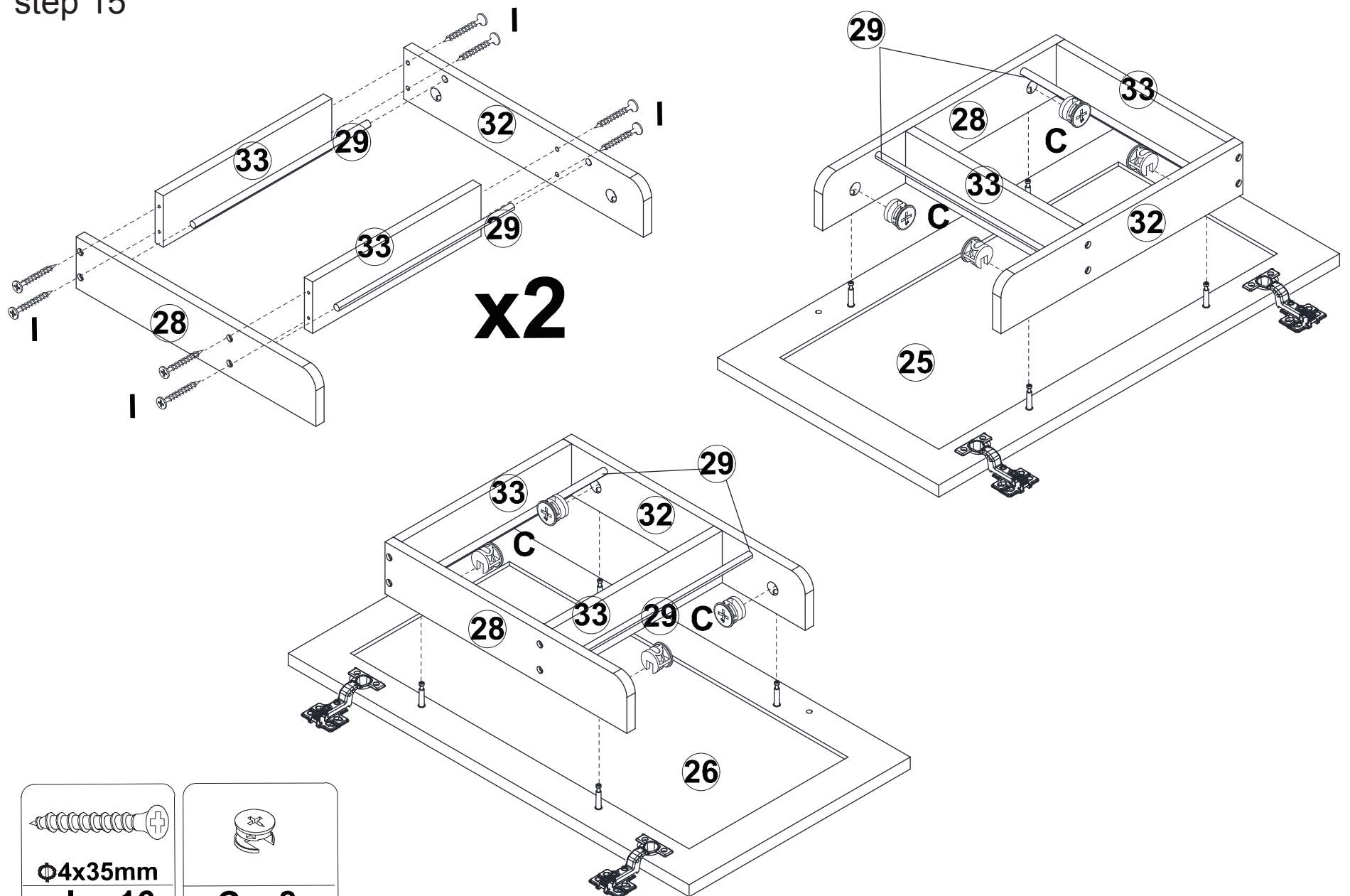
step 13



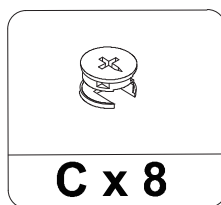
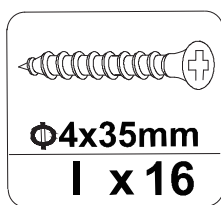
step 14



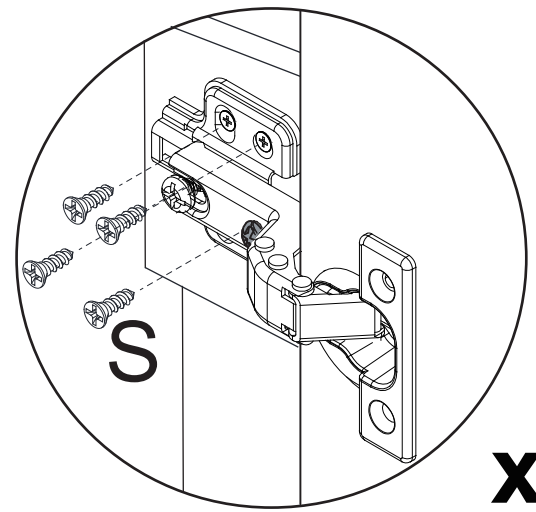
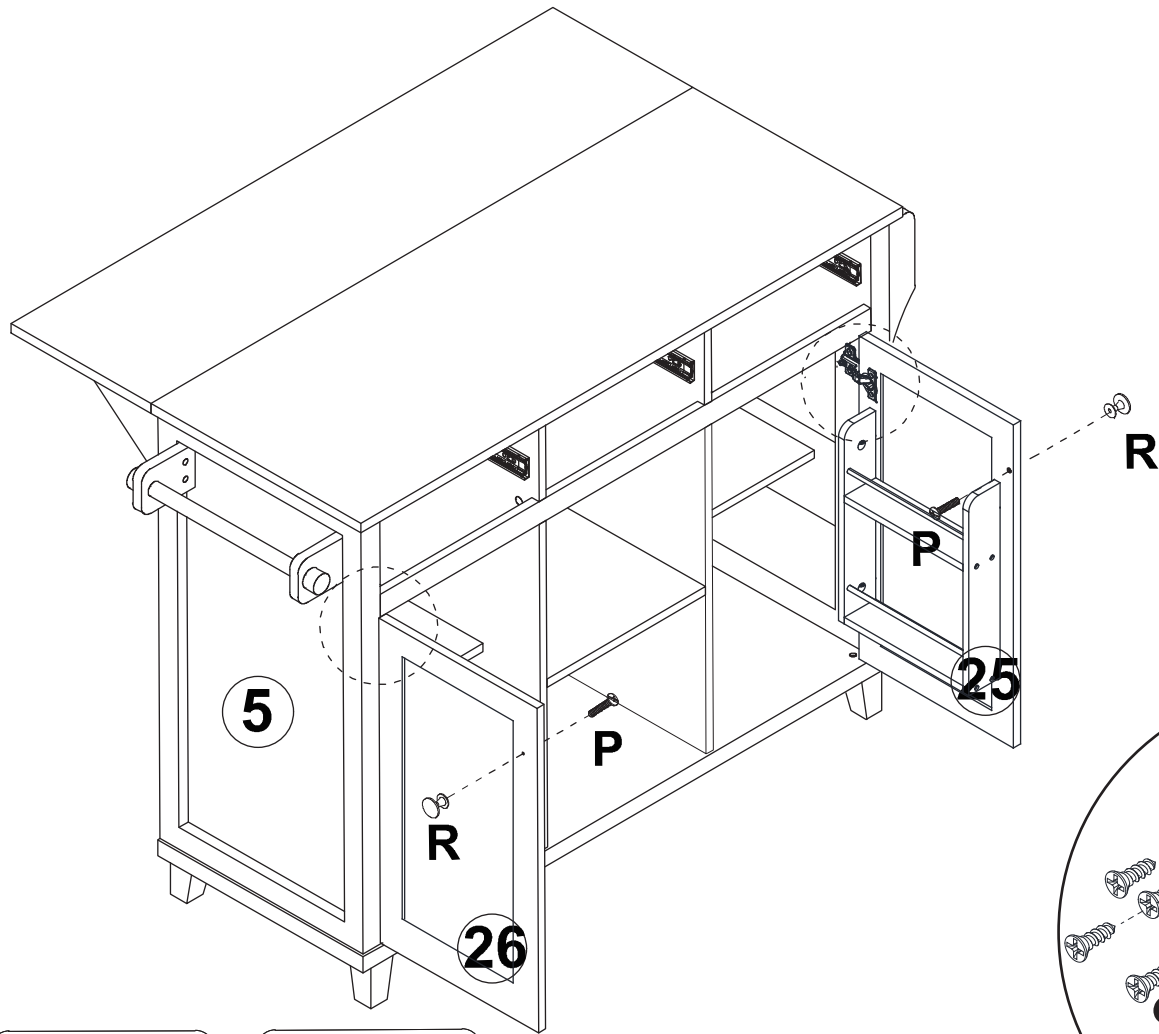
step 15



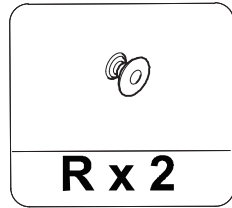
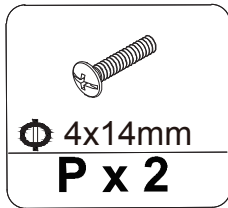
**x2**



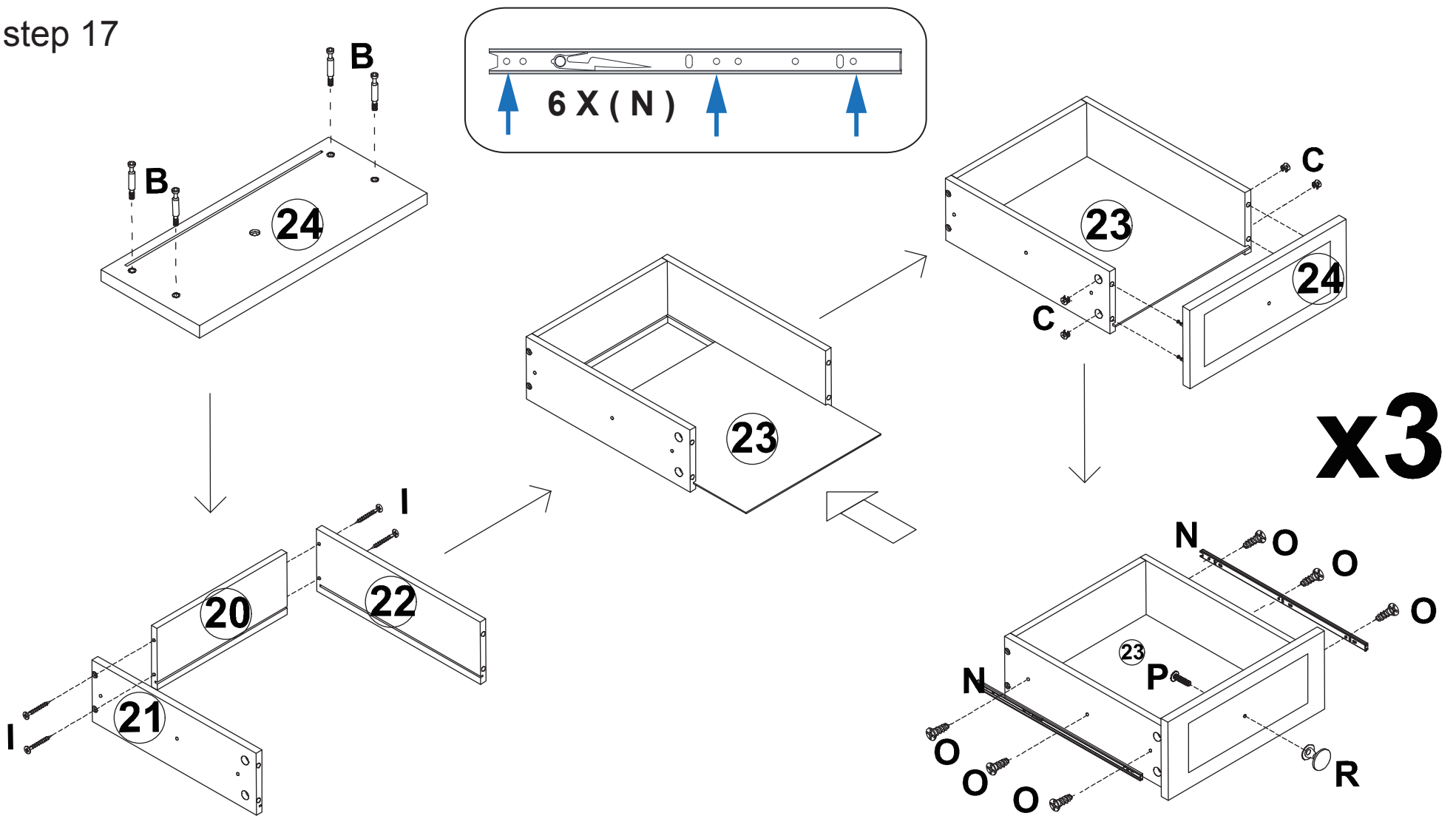
step 16



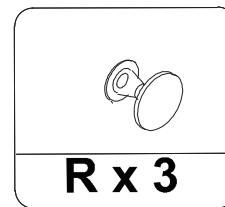
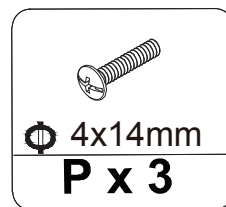
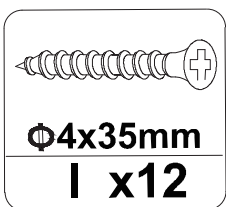
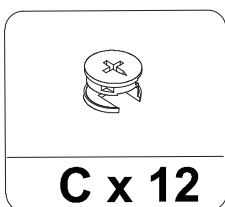
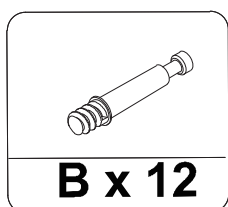
x 4



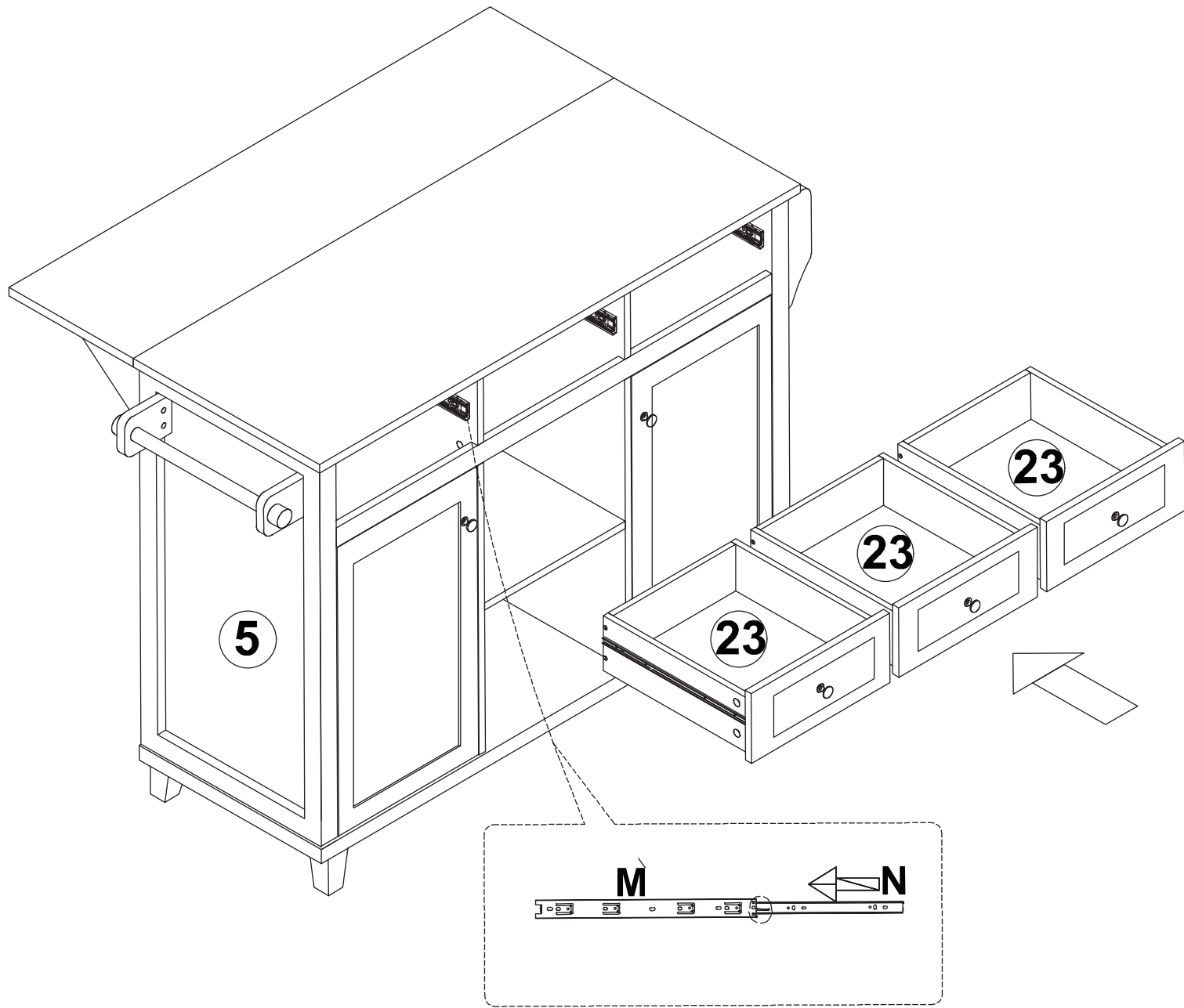
step 17



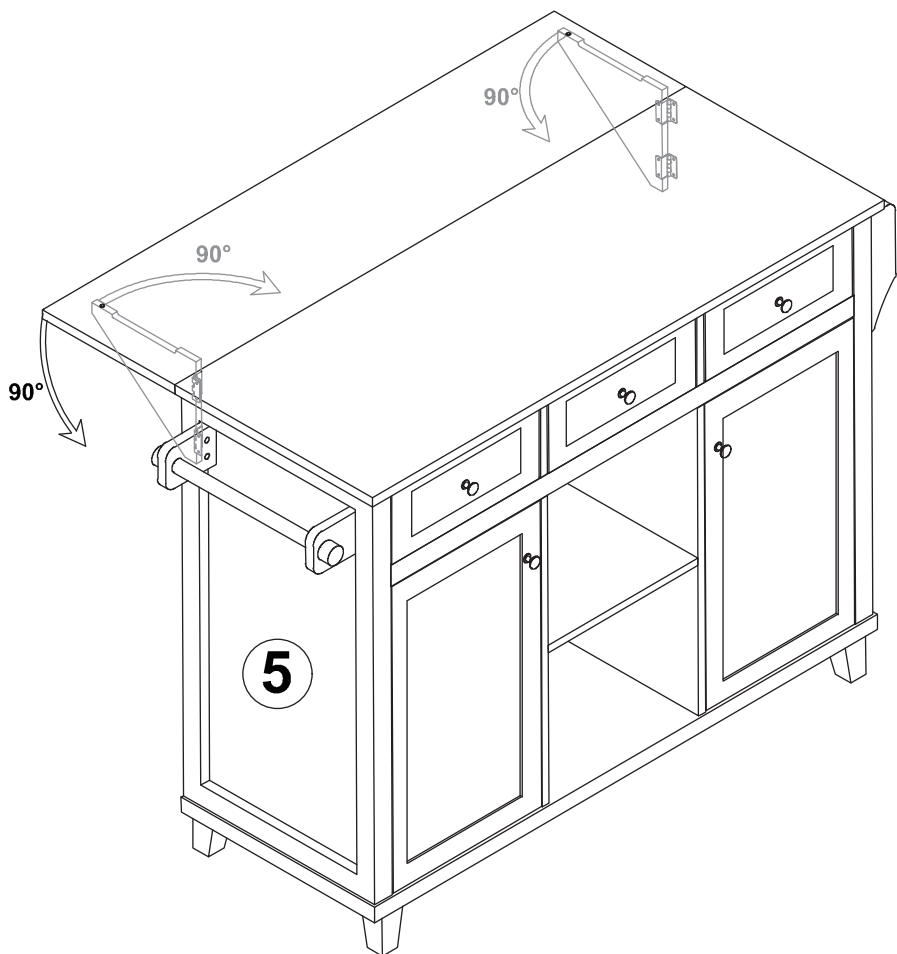
x3



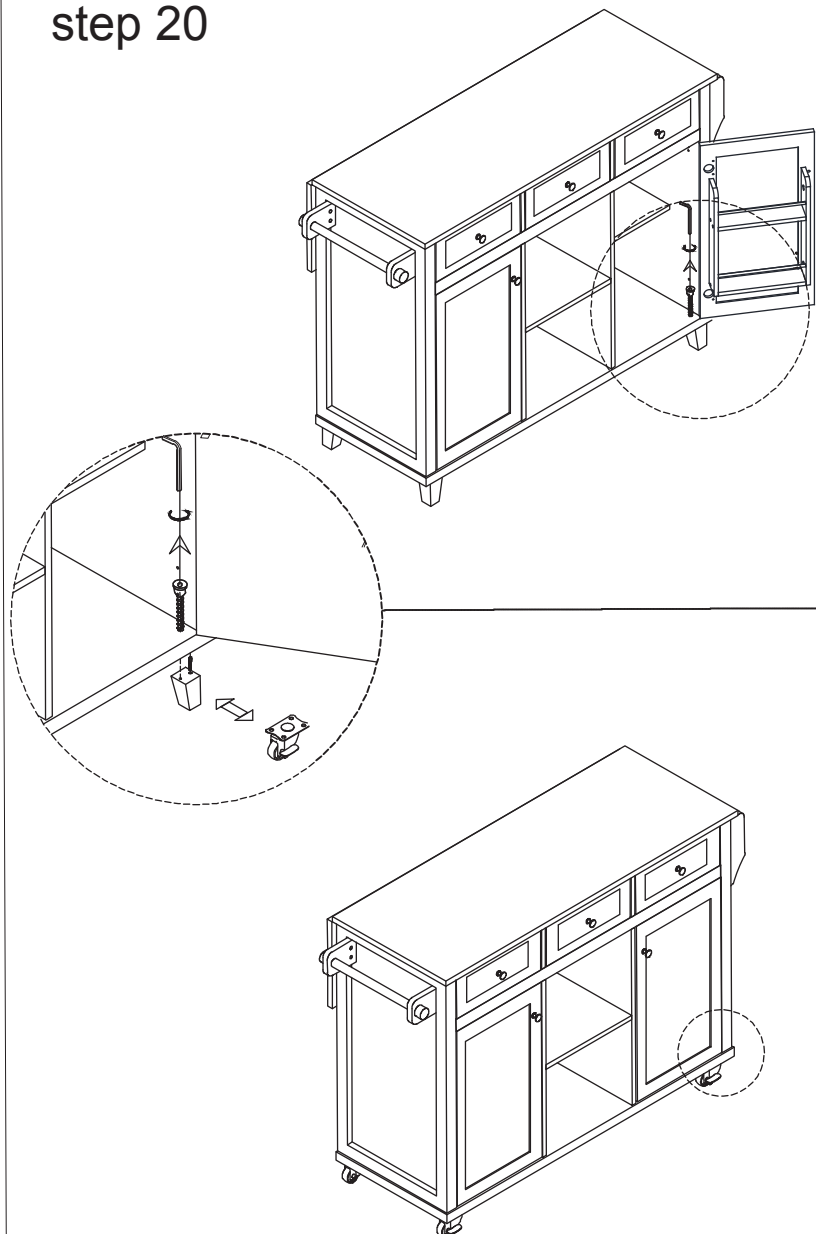
step 18



step 19



step 20



interchangeable