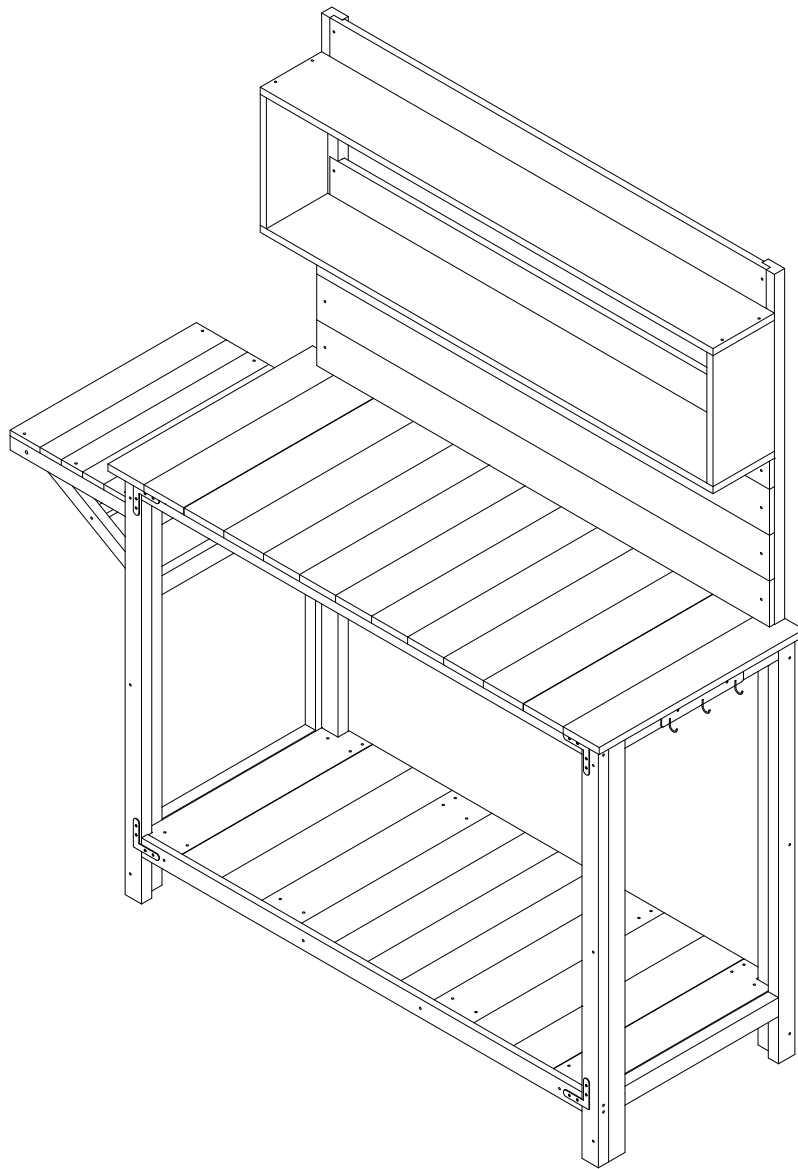


ASSEMBLY INSTRUCTIONS

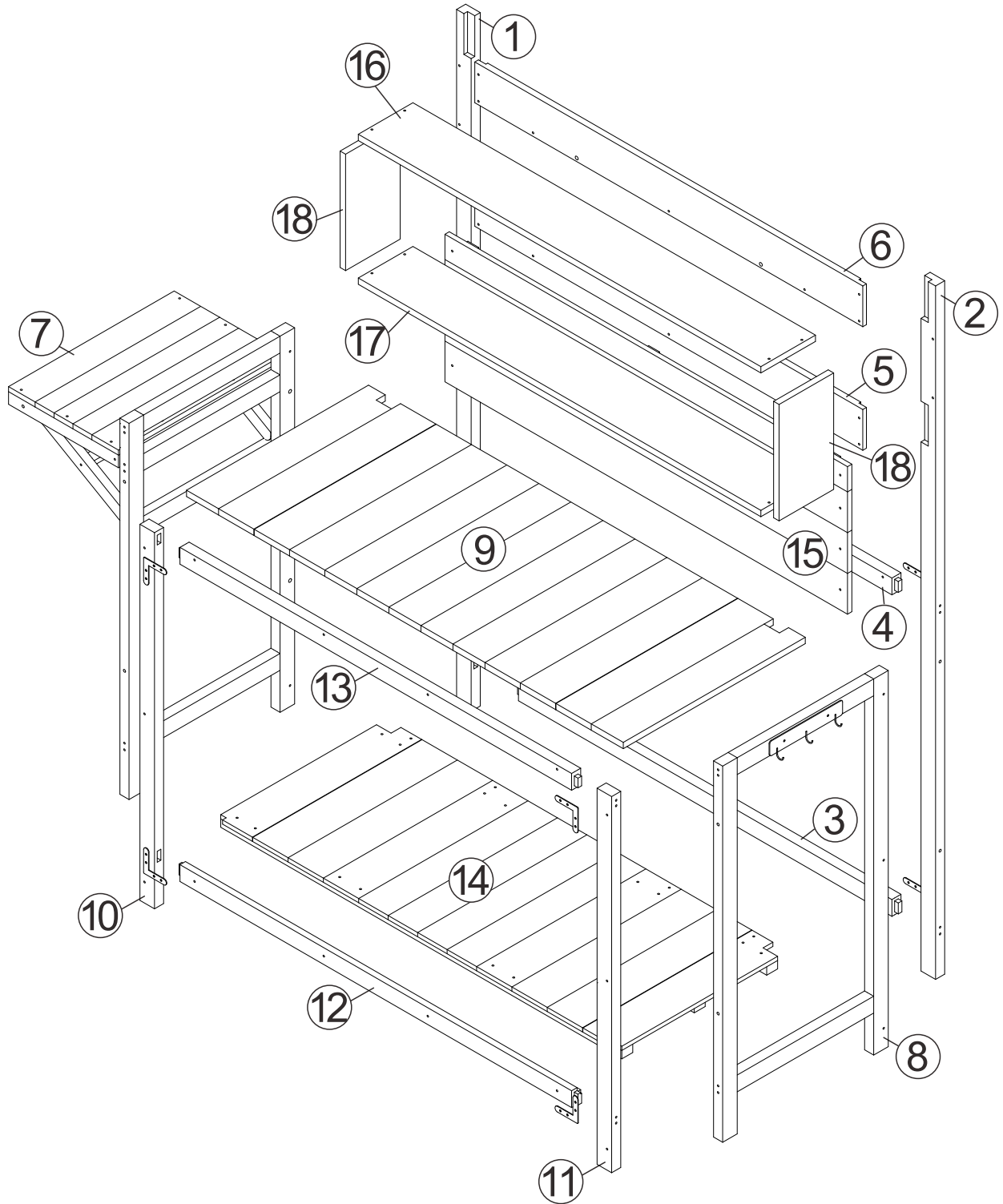
WF297928AAK



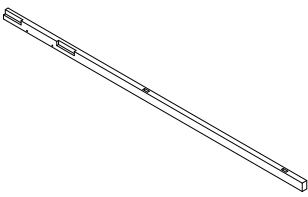
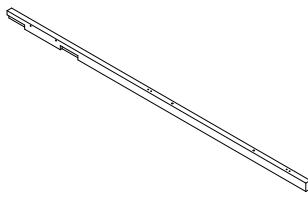
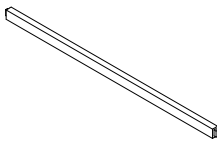
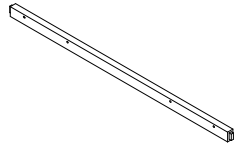
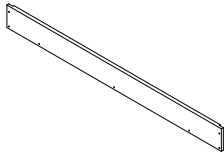
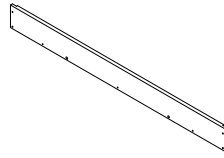
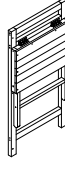
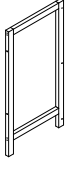
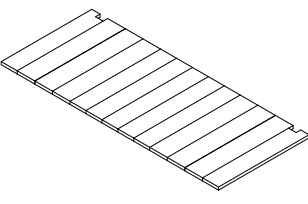
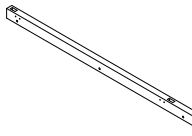
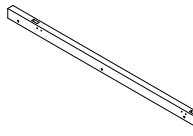
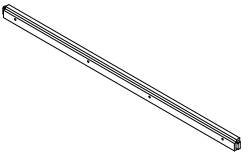
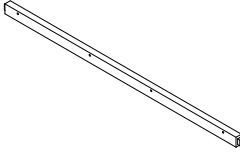
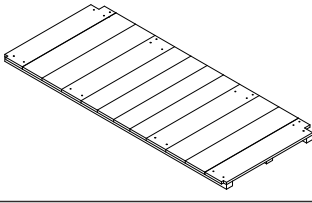
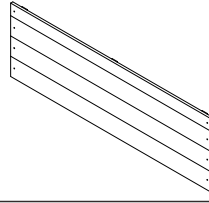
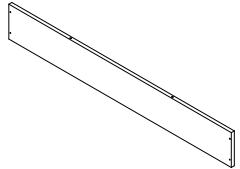
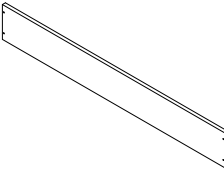

IMPORTANT NOTE :

- ① PLACE ALL PARTS ON A CLEAN AND SMOOTH SURFACE SUCH AS A RUG OR CARPET TO AVOID THE PARTS FROM BEING SCRATCHED.
- ② BEFORE YOU BEGIN, KINDLY FOLLOW THE ASSEMBLY INSTRUCTIONS STEP BY STEP.
- ③ DO NOT TIGHTEN ALL SCREWS AND BOLTS UNTIL THIS ITEM IS FULLY SET-UP.









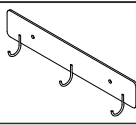
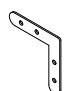
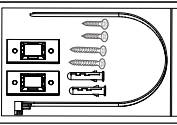
Detail View



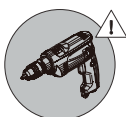
Hardware List(WF297928)

1 	2 	3 	4 
Right pillar of back frame-1pc	Left pillar of back frame-1pc	Lower slat of back frame-1pc	Upper slat of back frame-1pc
5 	6 	7 	8 
Slats of back panel-1pc	Slats of back panel-1pc	Left panel with tray-1pc	Right panel-1pc
9 	10 	11 	12 
Table top-1pc	Left slat of front frame-1pc	Right slat of front frame-1pc	lower slat of front frame-1pc
13 	14 	15 	16 
Upper slat of front frame-1pc	Shelfe-1pc	Back part of back frame-1pc	Top part of flower stand-1pc
17 	18 		
Bottom part of flower stand-1pc	Side panel of flower stand-2pcs		

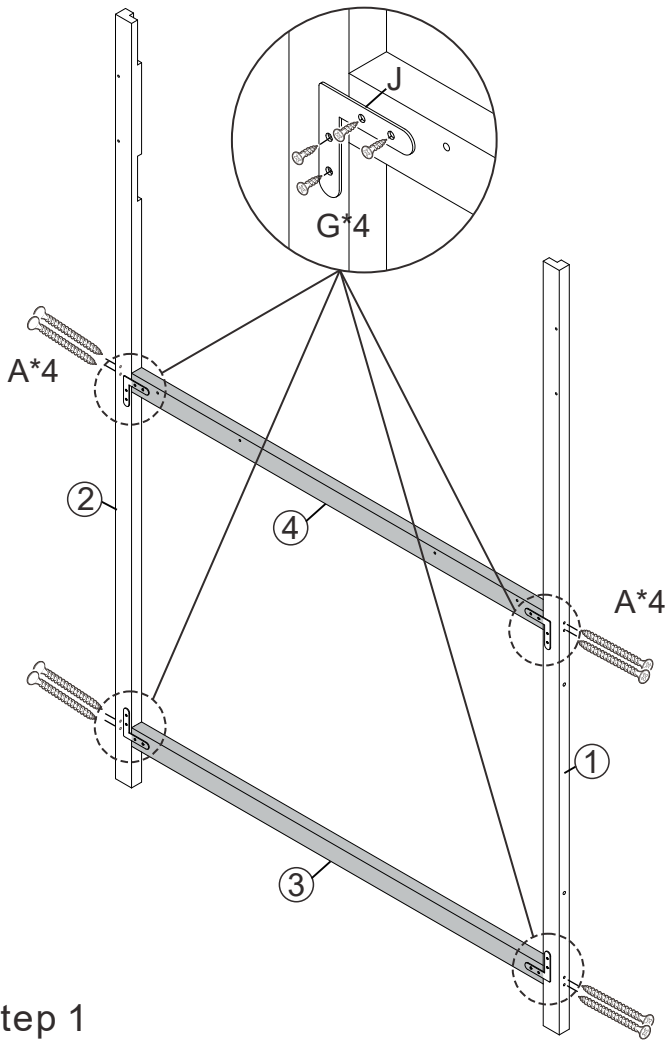
Hardware List

A  3.5×60 Ph zinc screws-16+1pcs	B  3.5×45 Ph zinc screws-24+1pcs	C  3.5×40 Ph zinc screws-4+1pcs	D  3.5×20 Ph zinc screws-8+1pcs
E  3.0×30 Ph zinc screws-22+1pcs	F  3.0×25 Ph zinc screws-8+1pcs	G  3.0×20 Ph zinc screws-34+1pcs	H  Wood dowel-10pcs
I  Hook-1pc	J  Right Angle Cast Iron-8pcs	 Anti-topple over sets-2pcs	

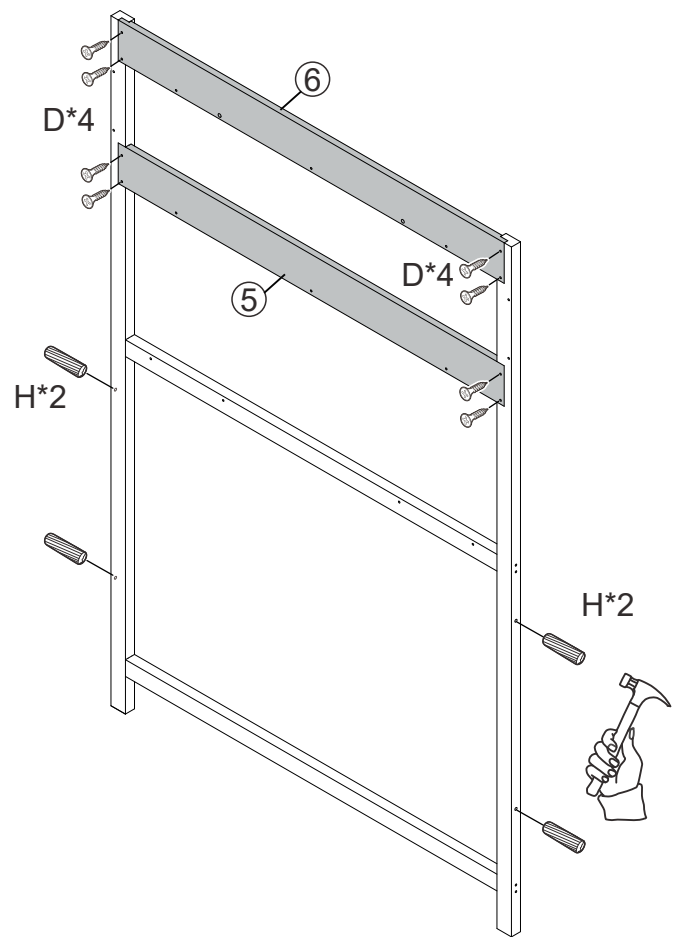
ASSEMBLY TOOLS REQUIRED(NOT INCLUDED)



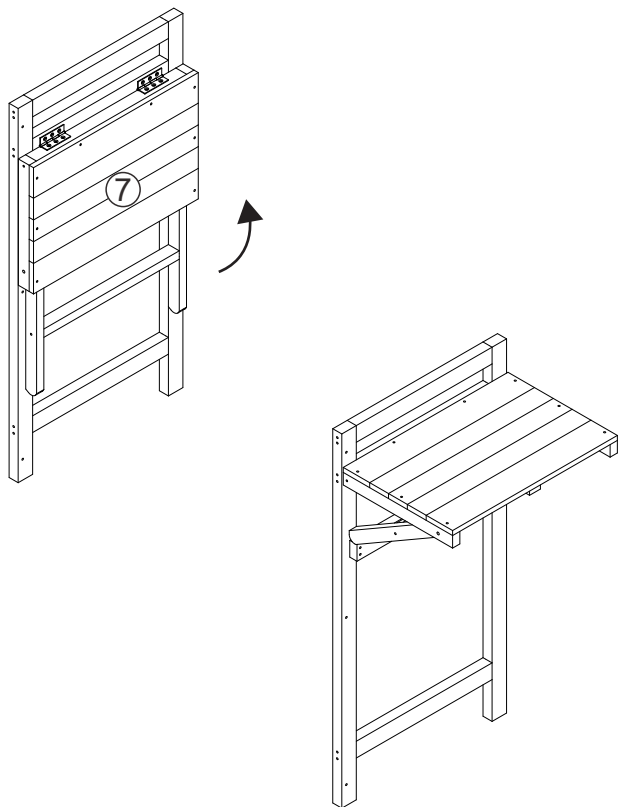
PLEASE BE CAREFUL DO NOT DAMAGE THE HOLE POSITION WHEN YOU USE POWERTOOLS !



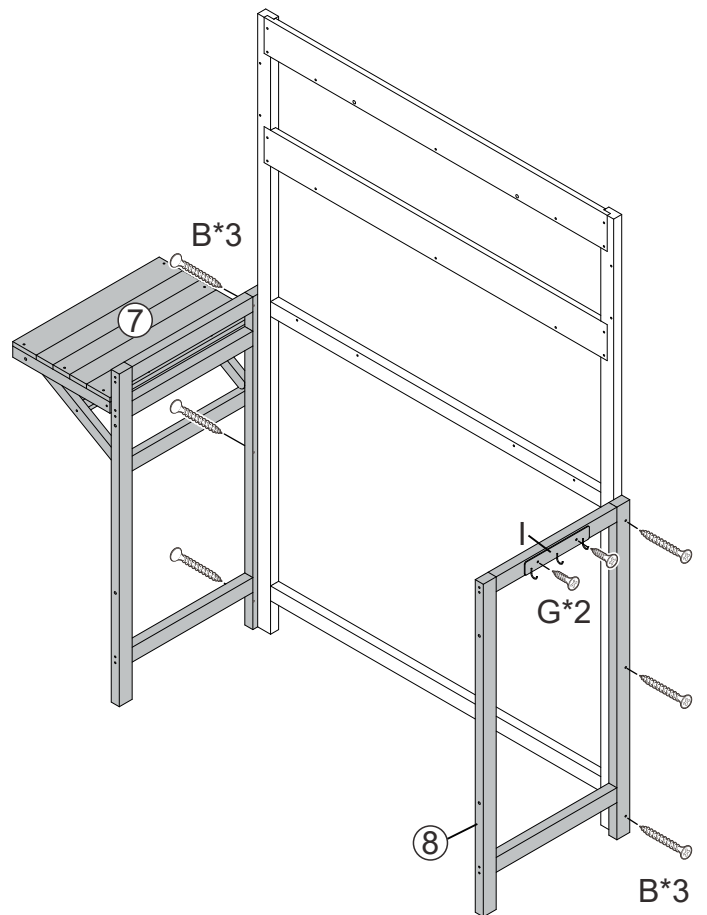
Step 1



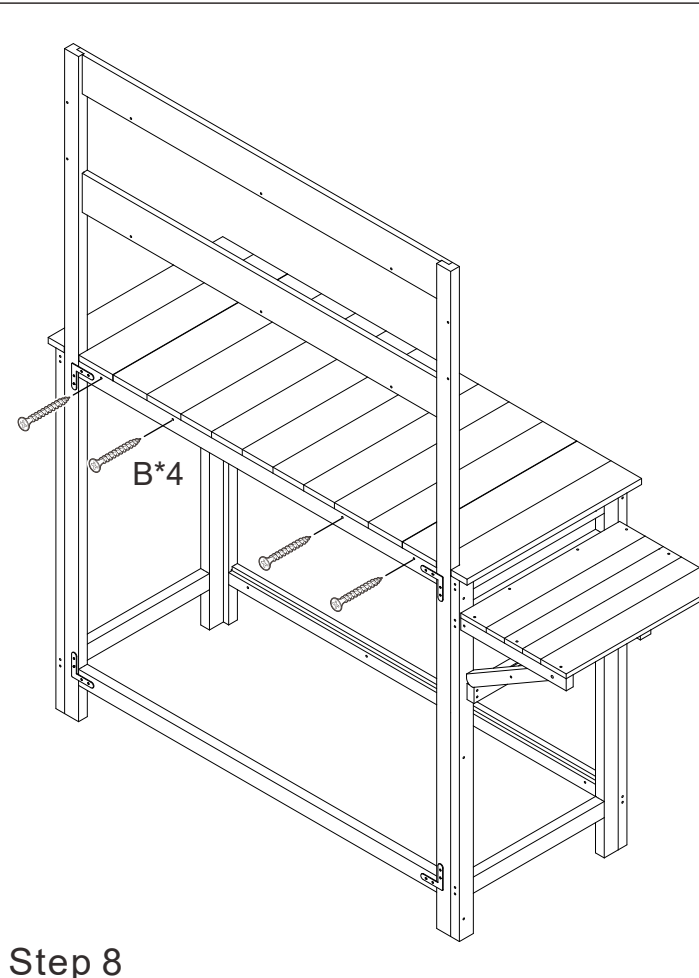
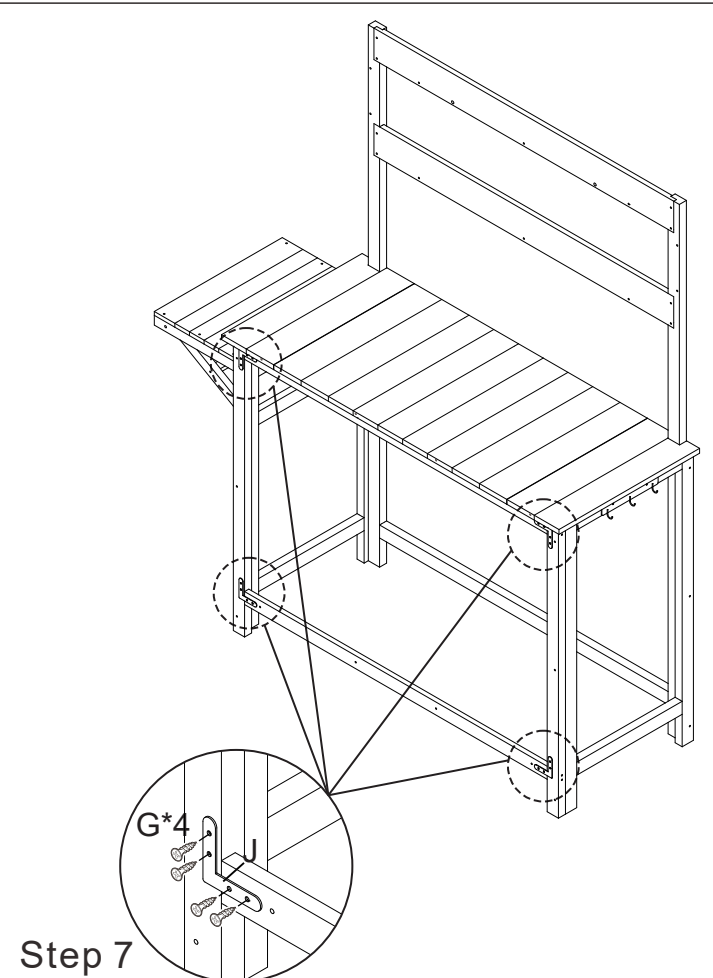
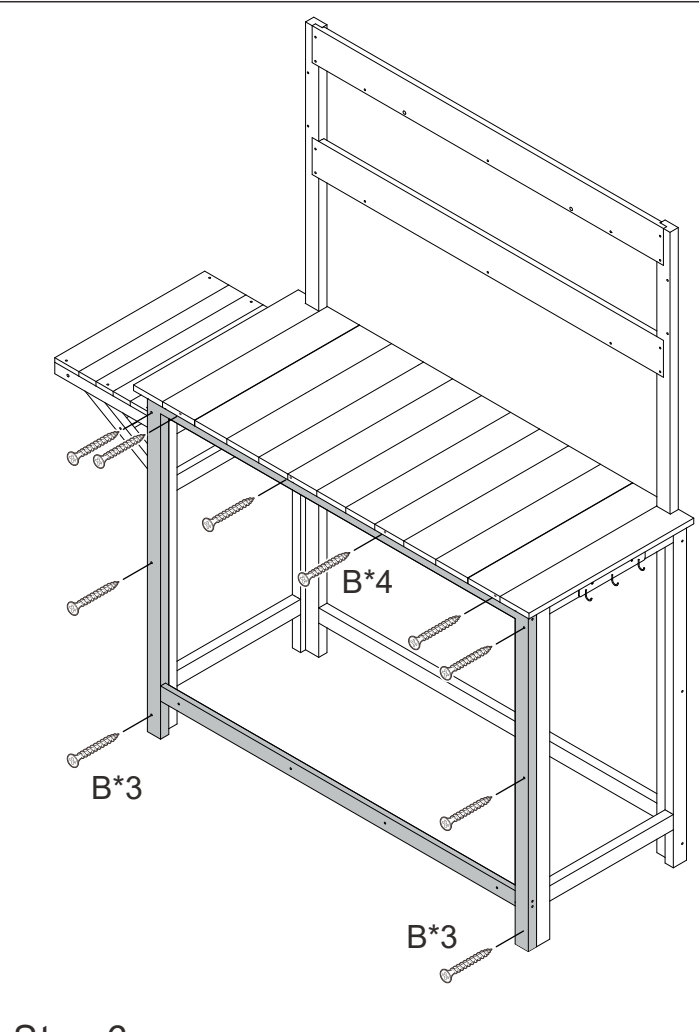
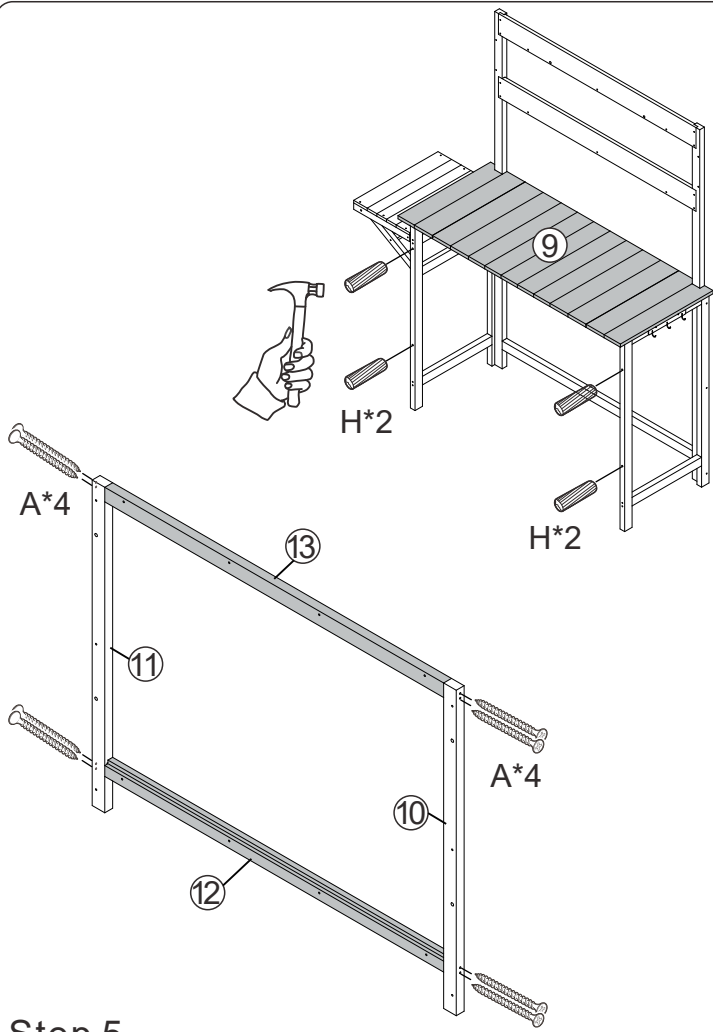
Step 2

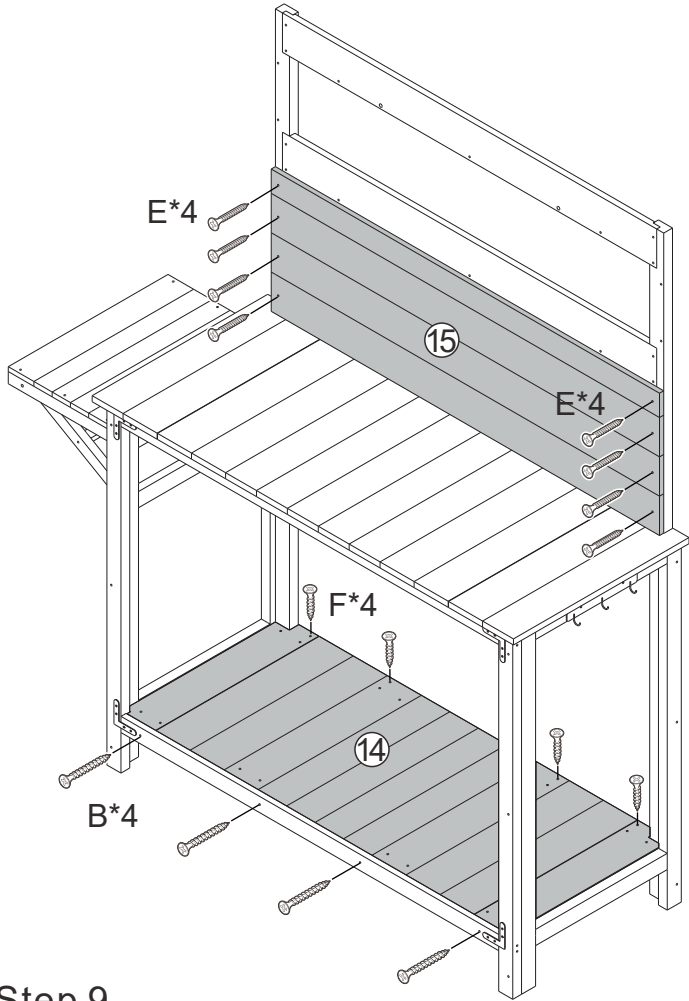


Step 3

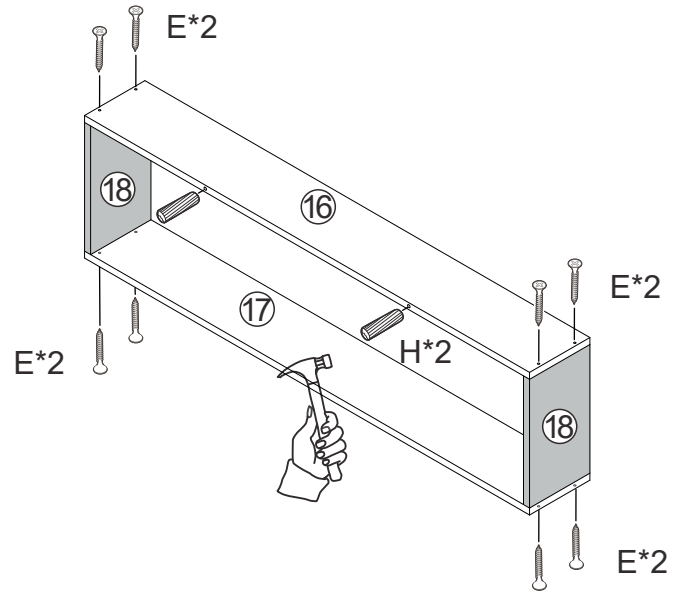


Step 4

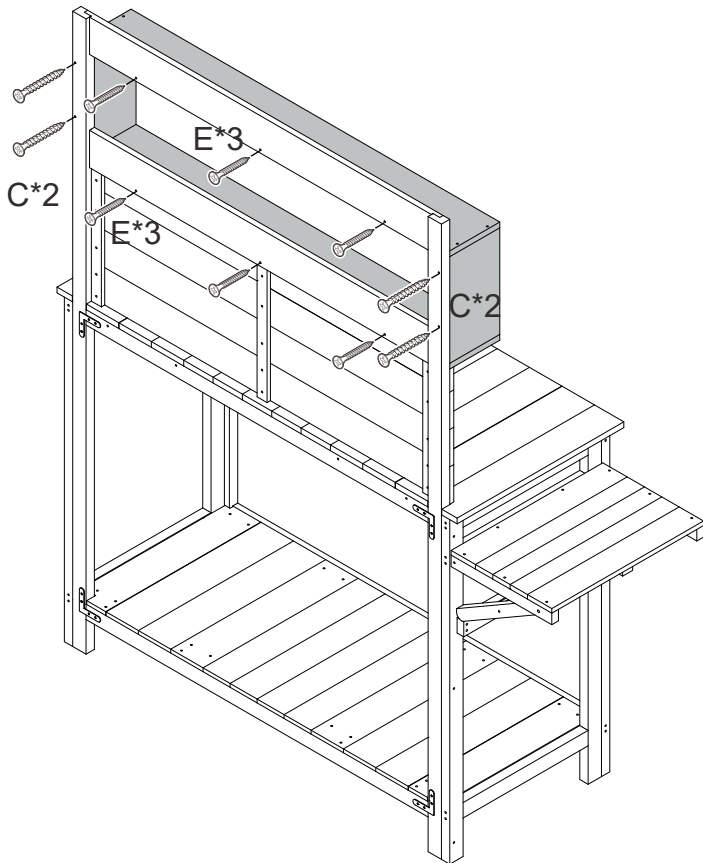




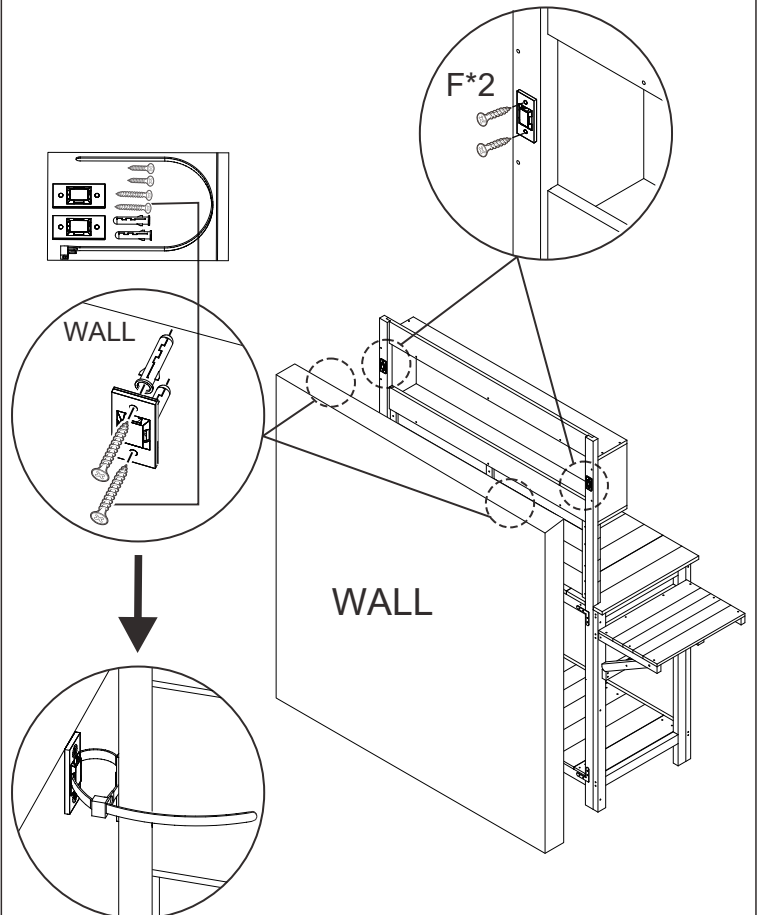
Step 9



Step 10



Step 11



Step 12