



Safety and Care Advice

Important – Please read these instructions fully before starting assembly

- Check you have all the components and tools listed on the following pages.
- Remove all fittings from the plastic bags and separate them into their groups.
- Keep children and animals away from the work area, small parts could choke if swallowed.
- Make sure you have enough space to layout the parts before starting.

- During assembly do not stand or put weight on the product, this could cause damage.
- Assemble the item as close to its final position (in the same room) as possible.
- Assemble on a soft level surface to avoid damaging the unit or your floor.
- Parts of the assembly will be easier with 2 people.



- To reduce the likelihood of damaging your product please ensure that your power drill is set on a low torque setting.

Care and maintenance

- Only clean using a damp cloth and mild detergent, do not use bleach or abrasive cleaners.
- From time to time check that there are no loose screws on this unit.
- This product should not be discarded with household waste. Take to your local authority waste disposal centre.

Handy Hints

- Assemble all parts and bolts loosely during assembly, only once the product is complete should you fully tighten the bolts
- Regularly check and ensure That all bolts and fittings are tightend properly.

WARNING In order to help prevent overturning – please follow these instructions

To help prevent product toppling over please follow the below steps:-

Use the anti tip stap or wall fixing method provided (if applicable)
Do not allow children to climb or hang on the furniture
Do not open more than one drawer at a time
Do not place heavy items in the top drawers
Do not place heavy items on top of the furniture, unless the furniture has been designed for this purpose

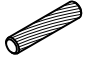
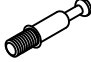








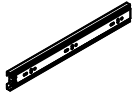










Please note that only the anti tip strap is provided.

You will need to provide wall plugs and screws applicable for your wall type

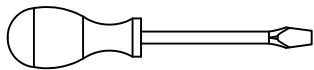
Components - Fittings

Please check you have all the panels listed below

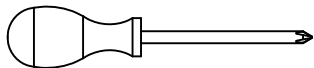
Note: The quantities below are the correct amount to complete the assembly. In some cases more fittings may be supplied than are required.

 (A) Dowel x59	 (B) Cam Bolt x47	 (C) Cam lock x39	 (D) Male Camlock x8
 (E) 4*50mm Screw x15	 (F) 4*35mm Screw x14	 (G) Handle x3	 (H) 4*18mm Bolt x3
 (I) Door Hinge x2	 (J) 3.5*14mm Screw x12	 (K) Drawer slide 14" x4	 (L) 3.0*12mm Screw x24
 (M) Shelf Support Pin x4	 (N) 6*32mm Bolt x8	 (O) 6*90mm Bolt x6	 (P) Flat Washer x6
 (Q) Lock Washer x6	 (R) Allen Key x1	 (S) Locking Caster x2	 (T) Caster x3
 (U) 6*15mm Bolt x20			

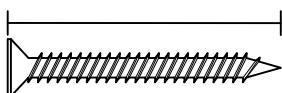
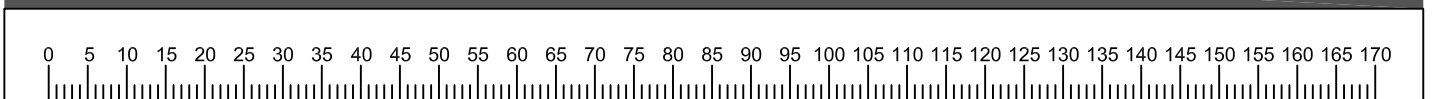
Tools required



Phillips screwdriver
(medium & large)



Ruler - Use this ruler to help correctly identify the screws



The screws length is measured from the head to the point (35mm screw shown).

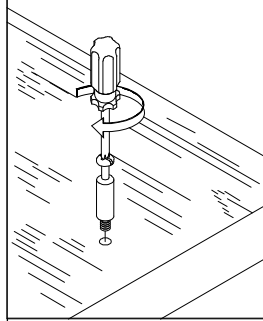
Using Camlocks

Step 1

Connect the male camlock as directed in the assembly instructions using a screwdriver.

1

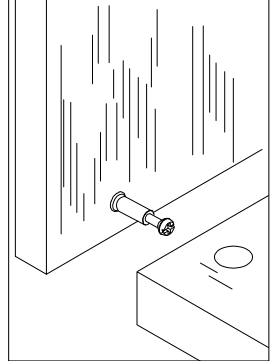
DO NOT OVER TIGHTEN.
NE PAS SERRER EXCESSIVEMENT.



Step 2

Push the male camlock into the entry hole.

2

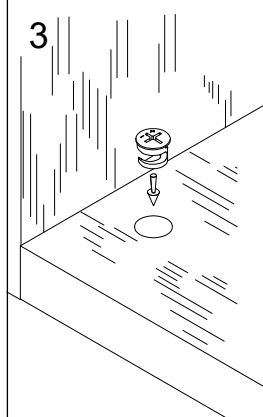


Step 3

Insert the female camlock as shown in the instruction.

Note: ensure that the arrow on the top of the camlock points towards the entry hole for the male camlock.

3



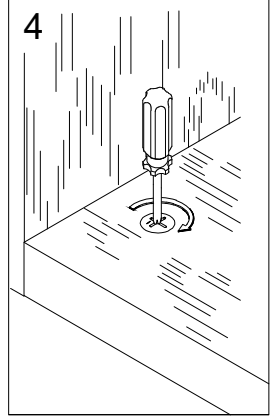
Step 4

Turn the female camlock clockwise with a screwdriver.

You should feel a click when the camlock is locked in place.

The joint is now secure.

4



Adjusting Hinges

Hinge adjustment:

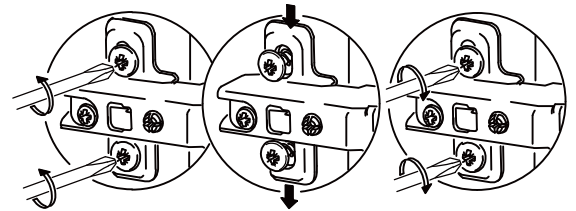
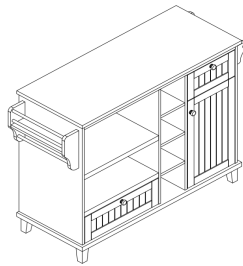
a: To move the top panel up or down, loosen screws shown and move top panel to suit

b. To move the top panel in or out, loosen screws shown and move top panel to suit.

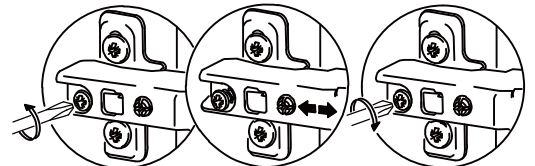
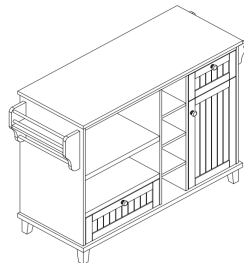
Retighten screws

c: To move the top panel left or right, adjust screws shown.

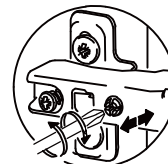
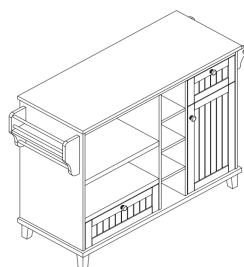
a:



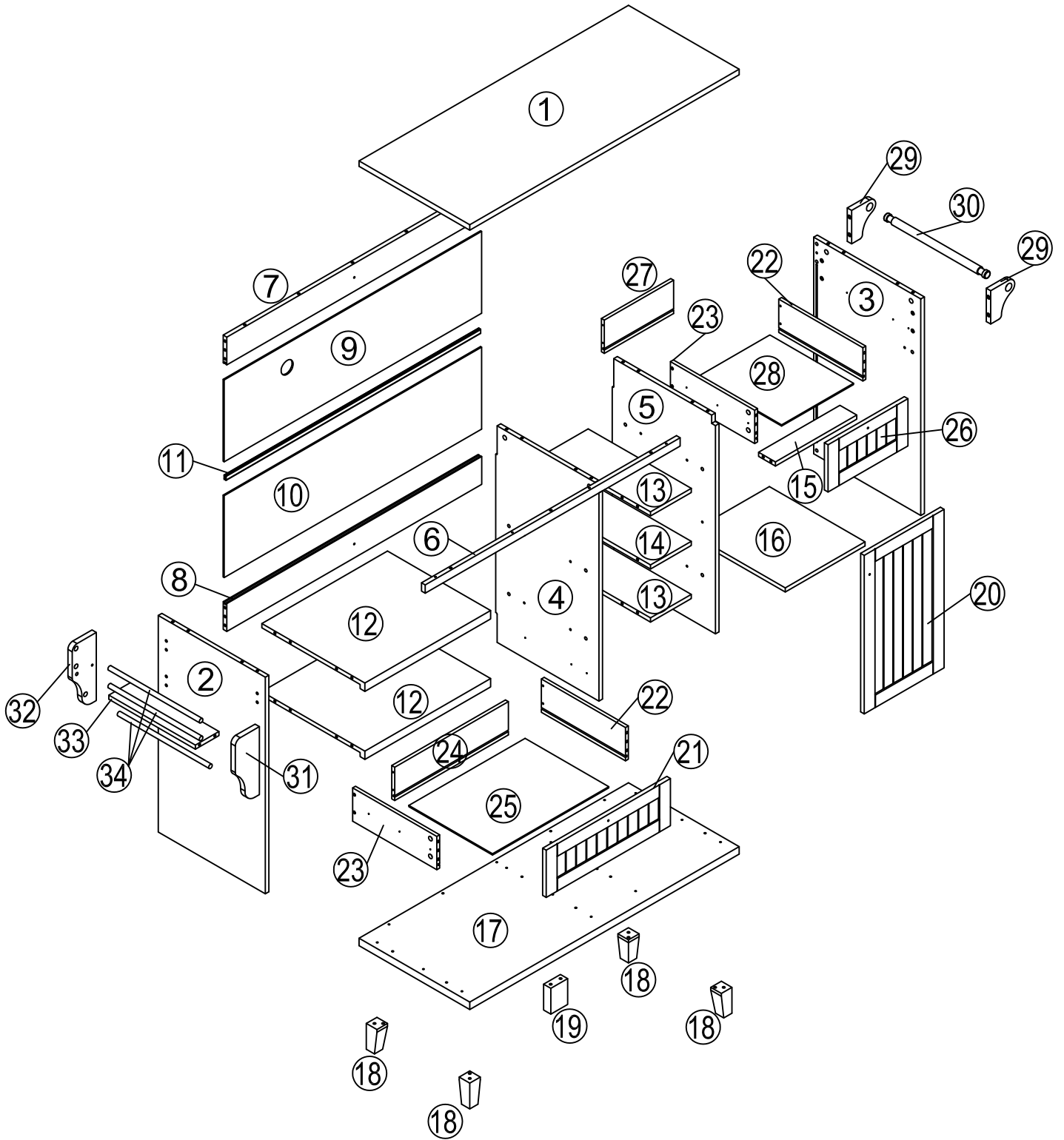
b:



c:

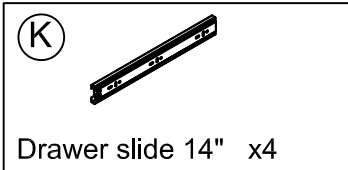
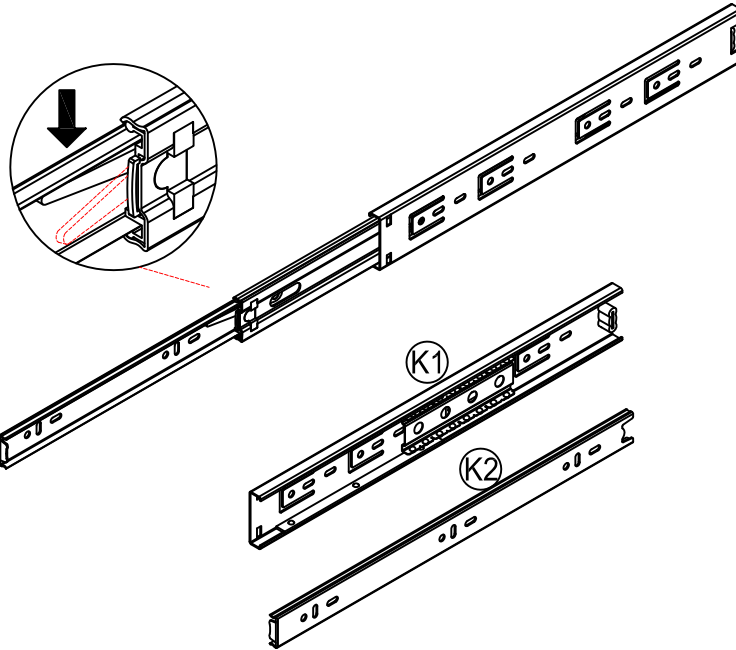


Assembly Instructions

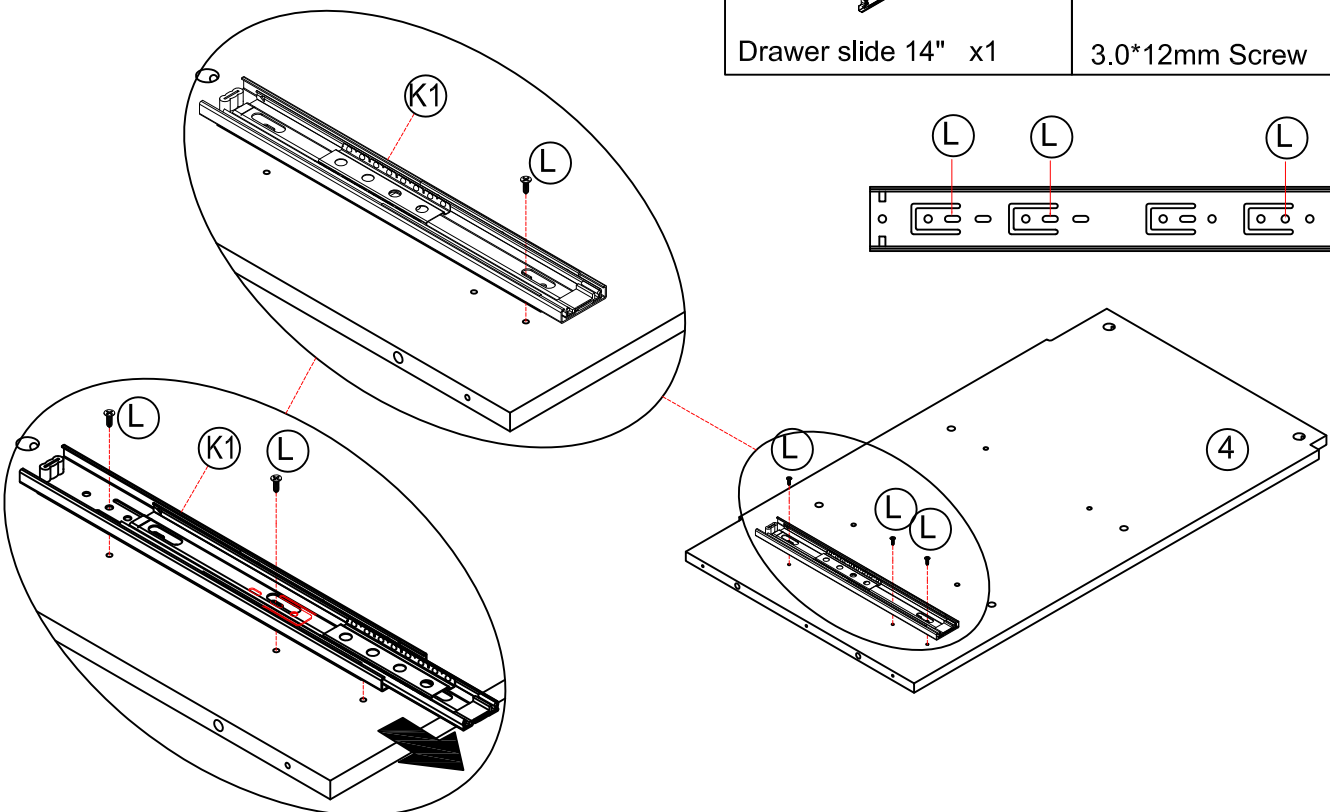
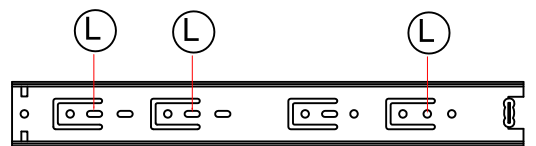
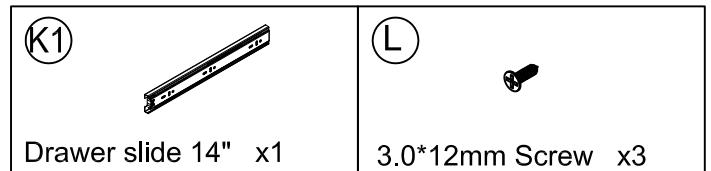


Assembly Instructions

Step 1

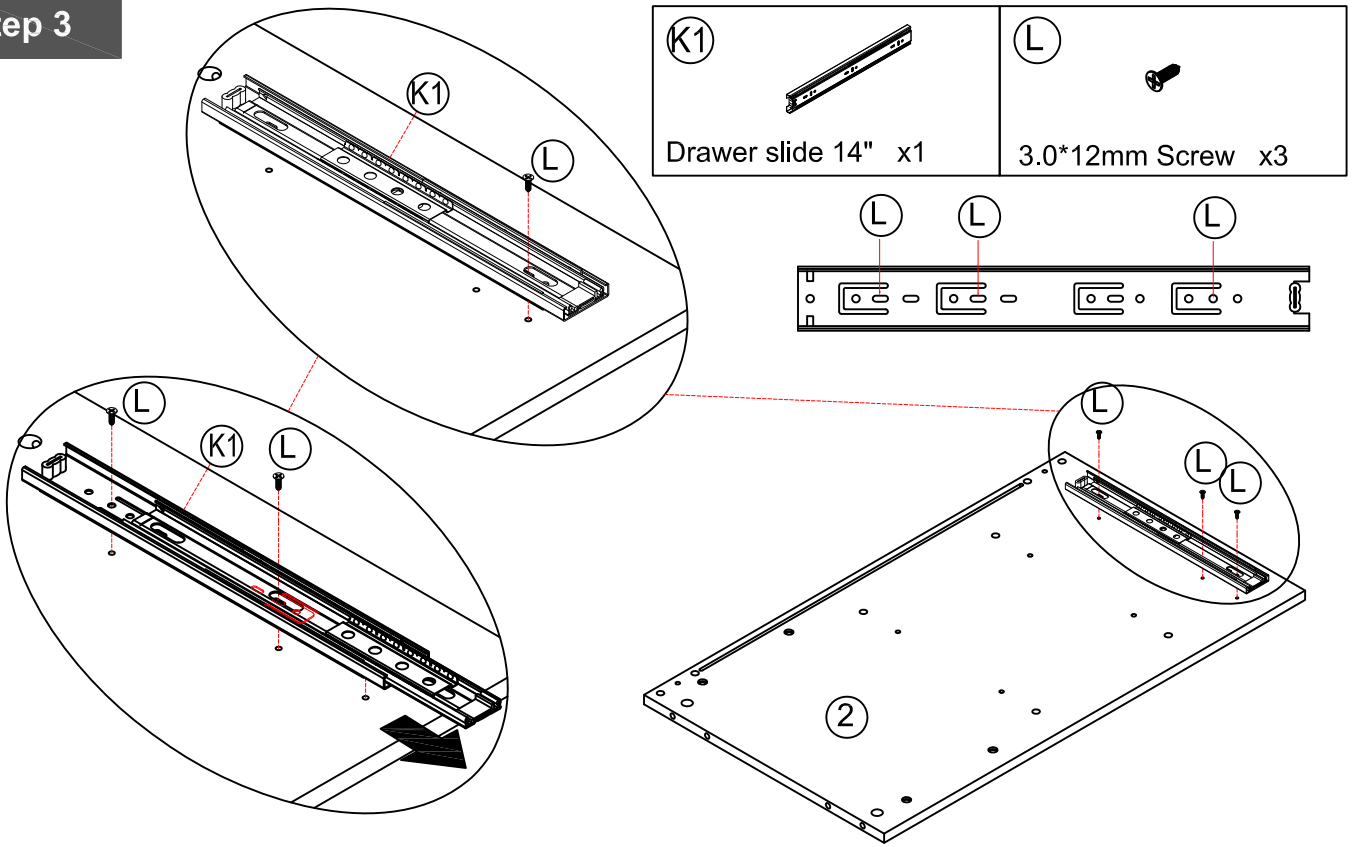


Step 2

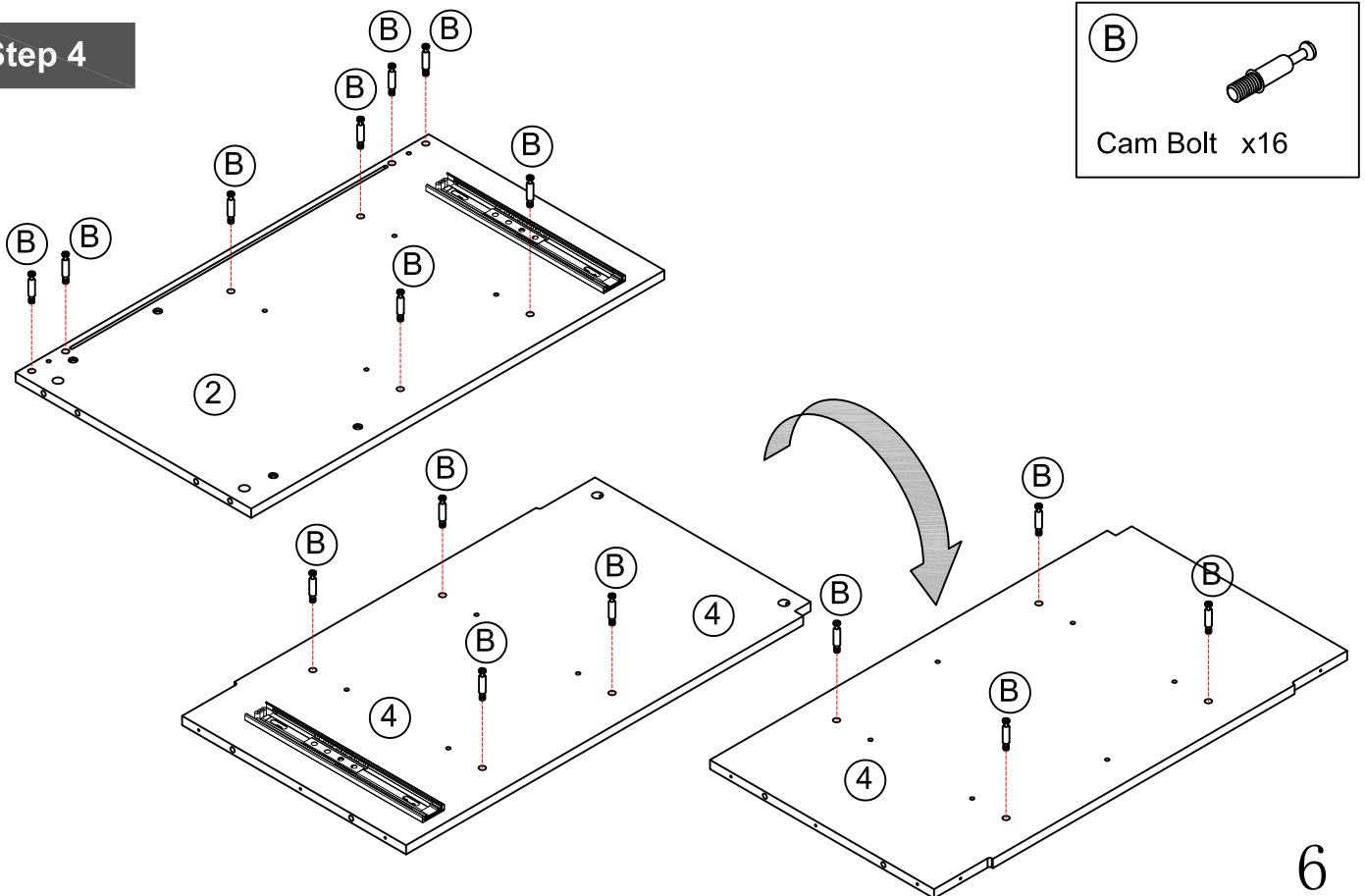


Assembly Instructions

Step 3

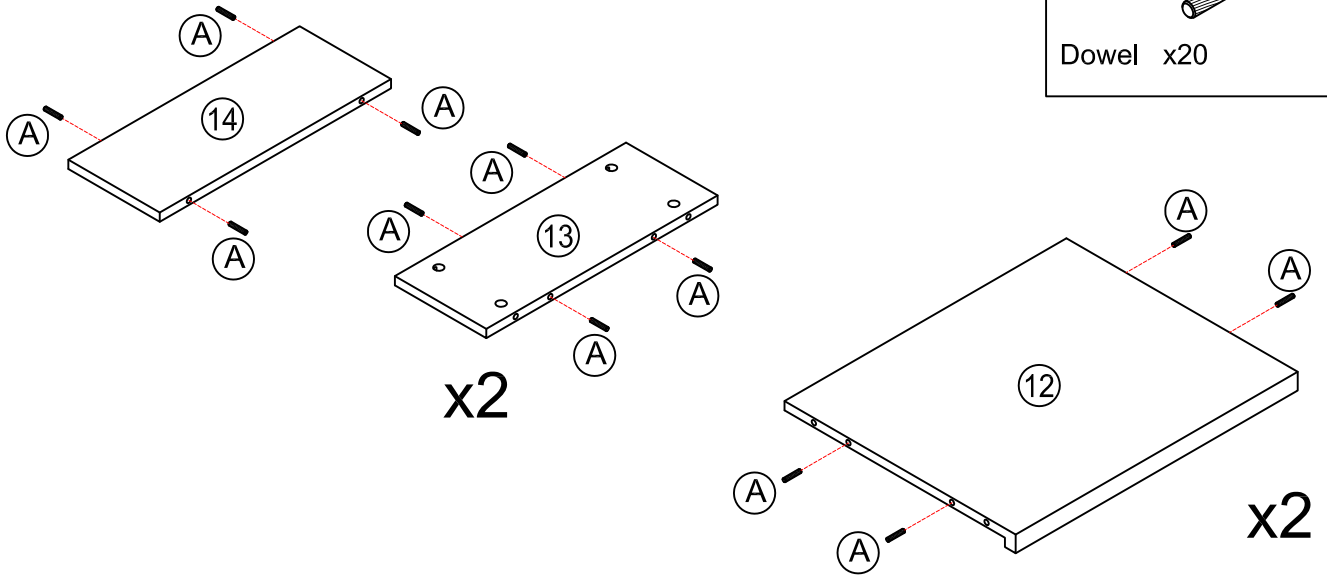


Step 4

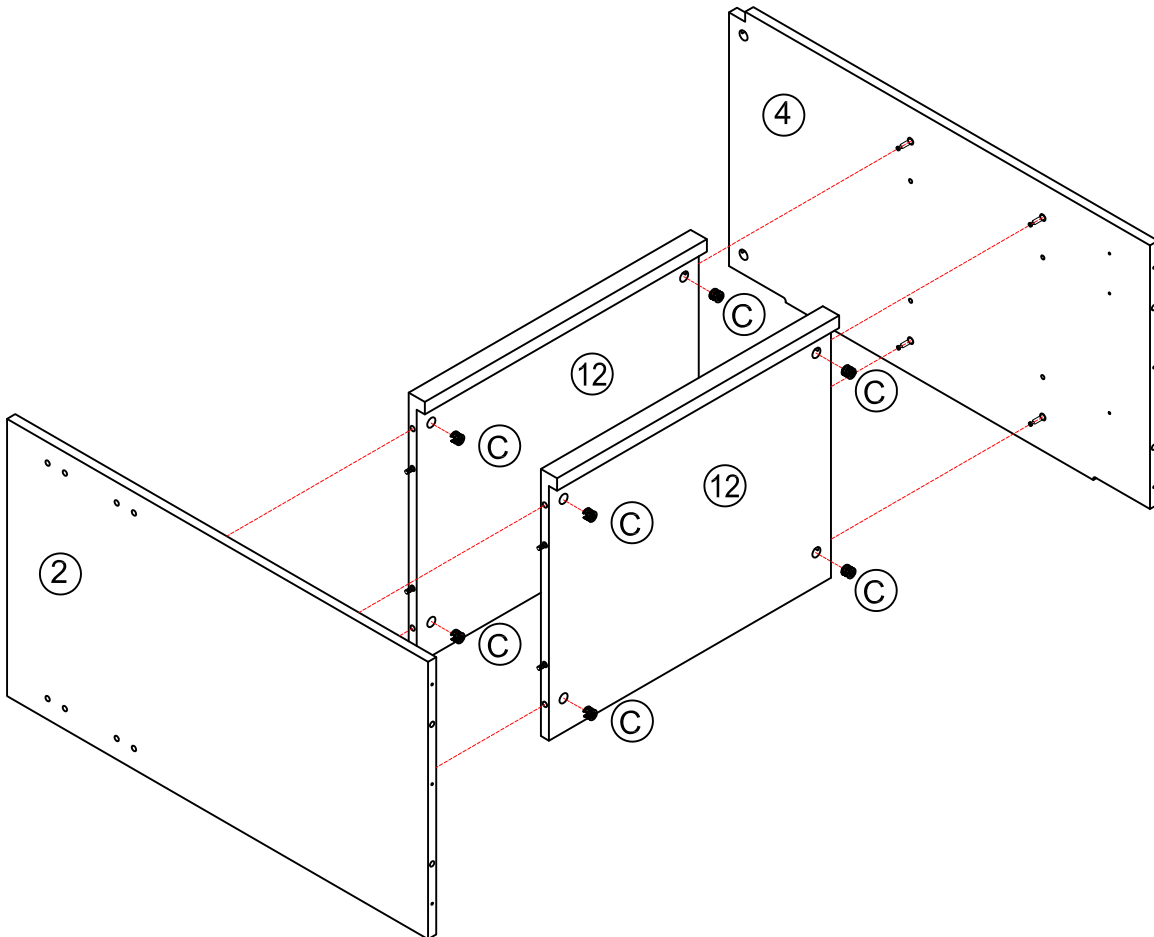
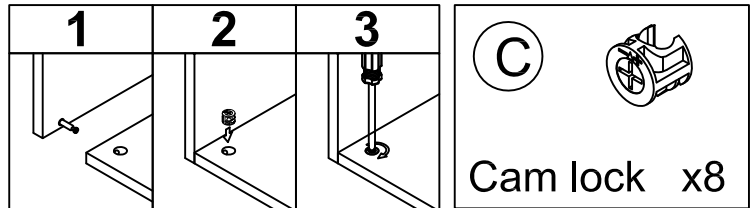


Assembly Instructions

Step 5

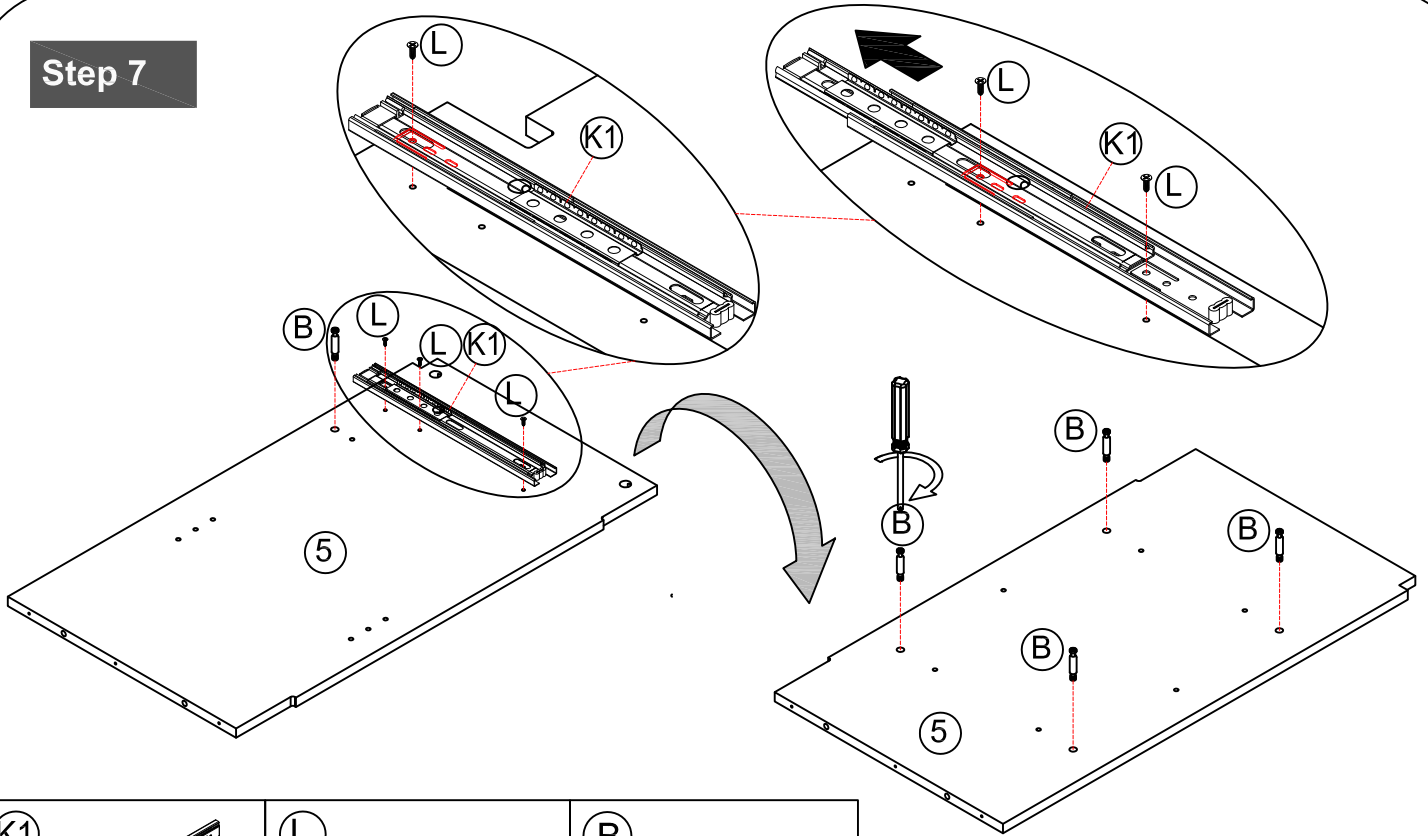


Step 6

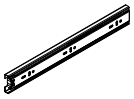


Assembly Instructions

Step 7



(K1)



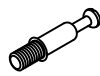
Drawer slide 14" x1

(L)



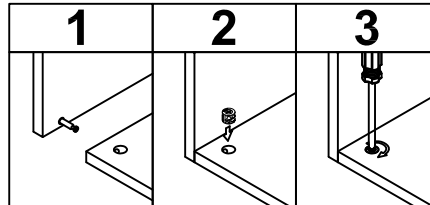
3.5*12mm Screw x3

(B)

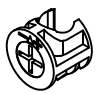


Cam Bolt x5

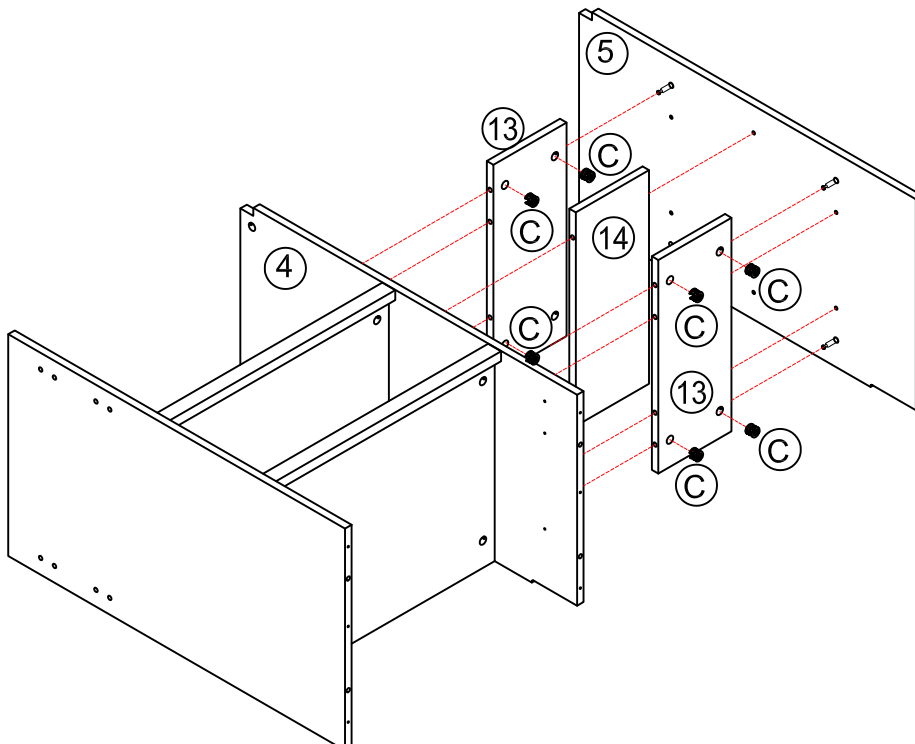
Step 8



(C)

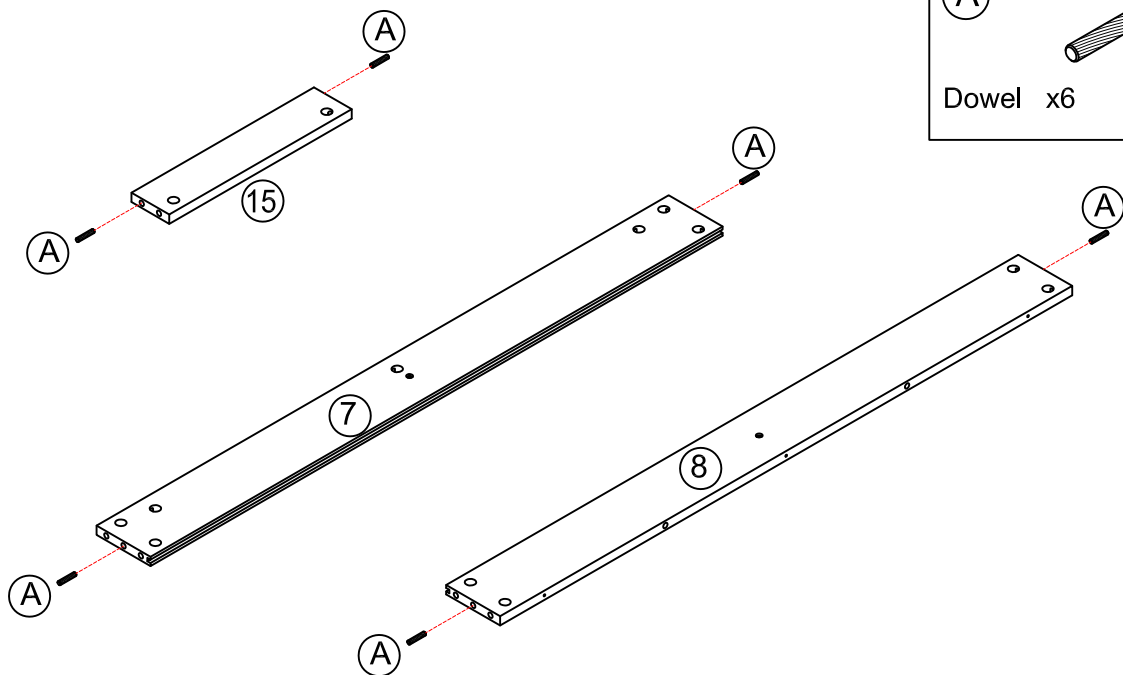


Cam lock x8

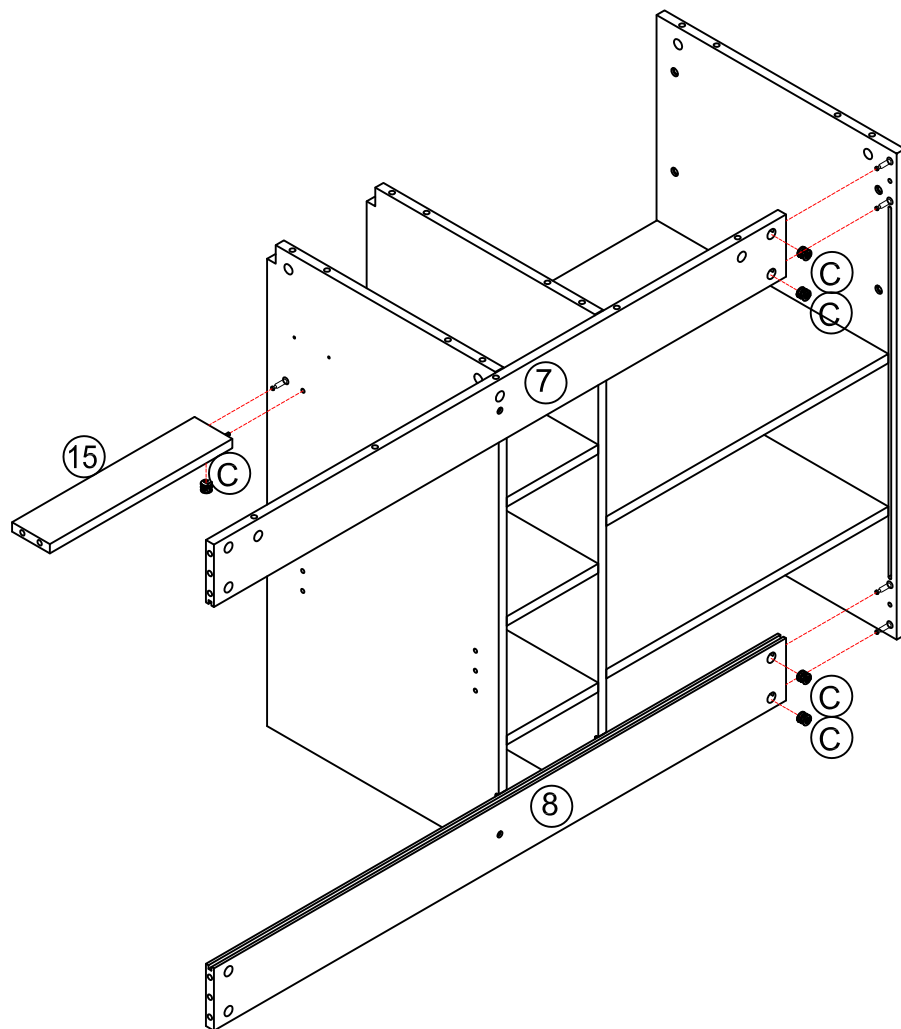
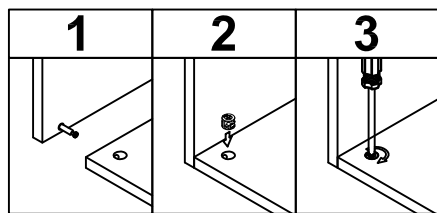
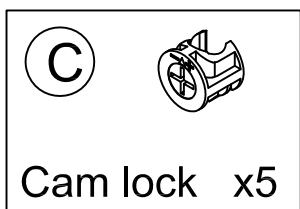


Assembly Instructions

Step 9

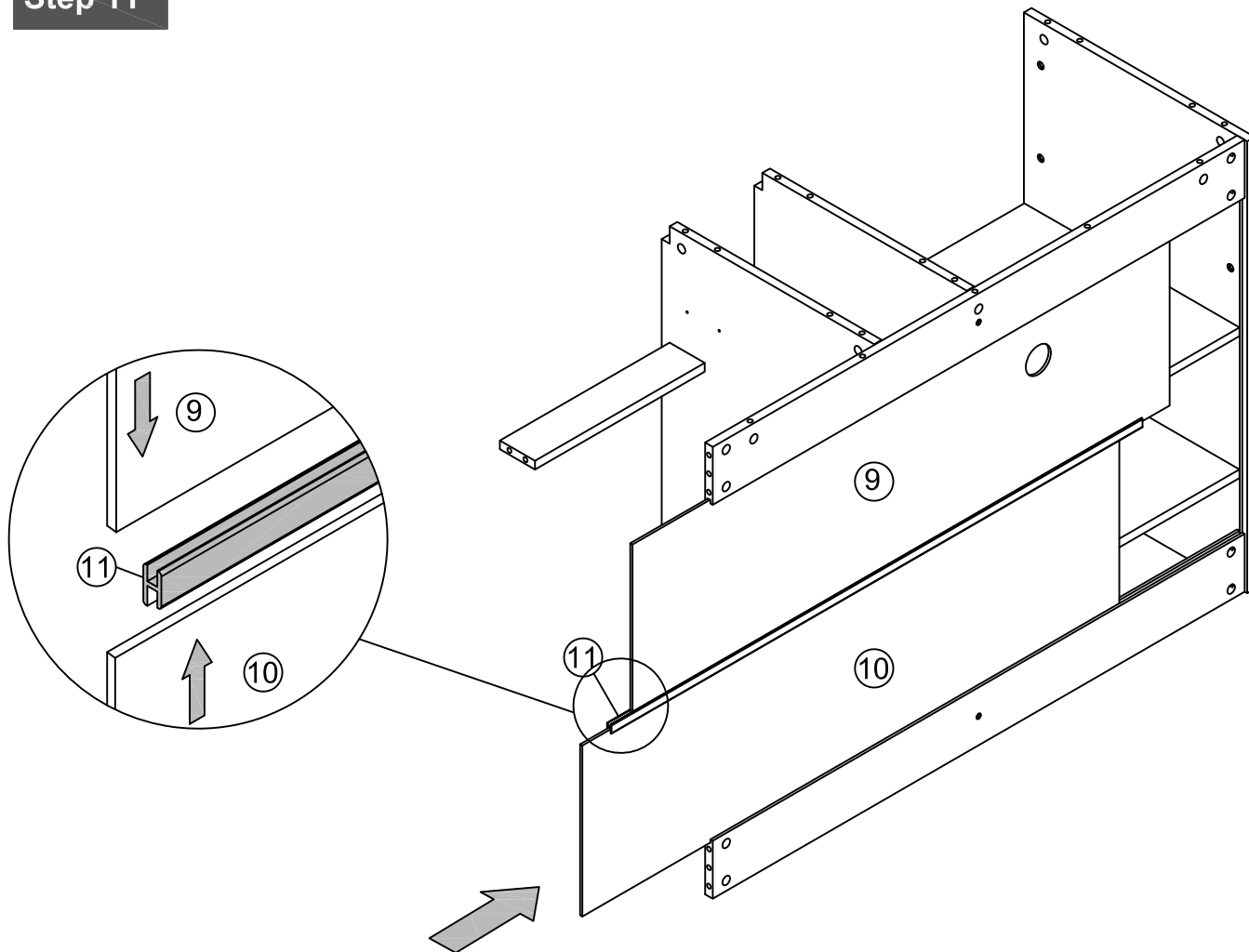


Step 10

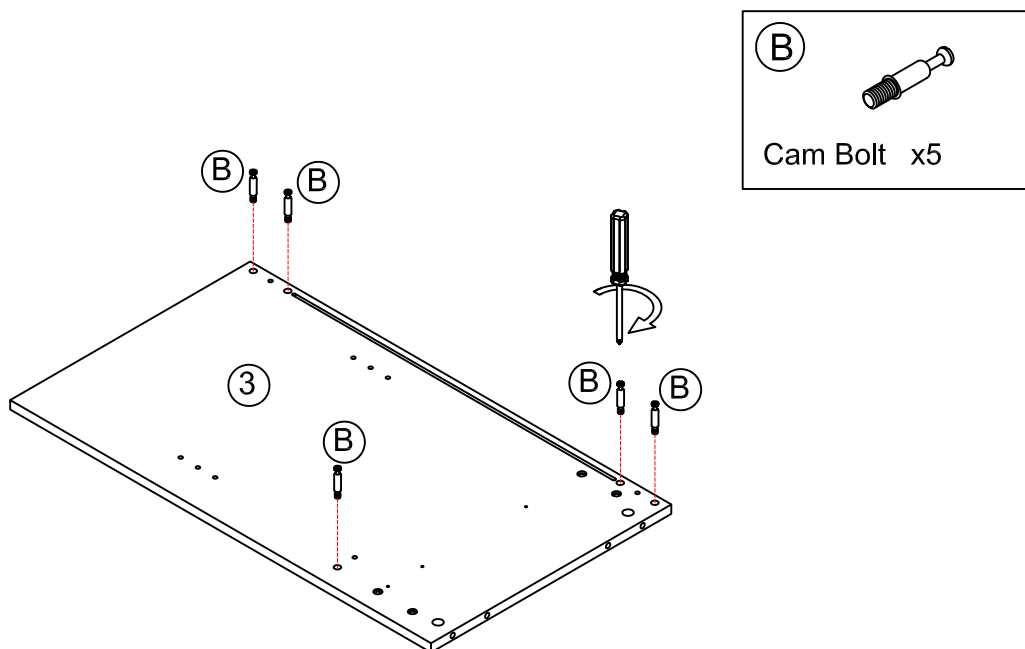


Assembly Instructions

Step 11



Step 12



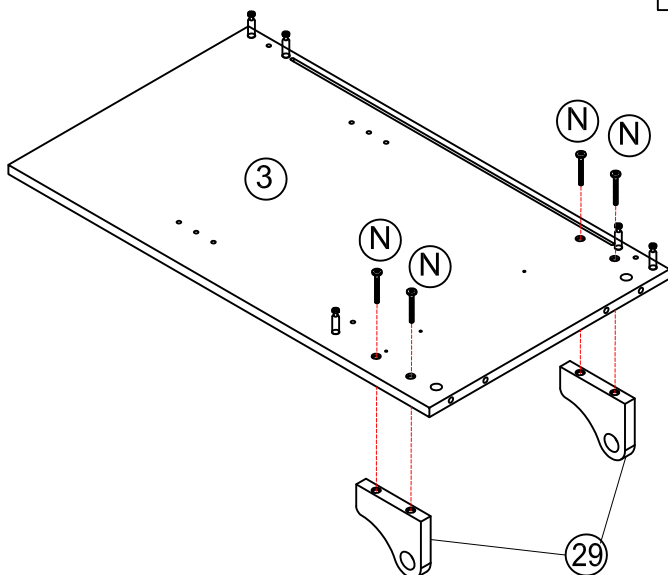
Assembly Instructions

Step 13

(N)

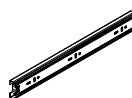


6*32mm Bolt x4



Step 14

(K1)

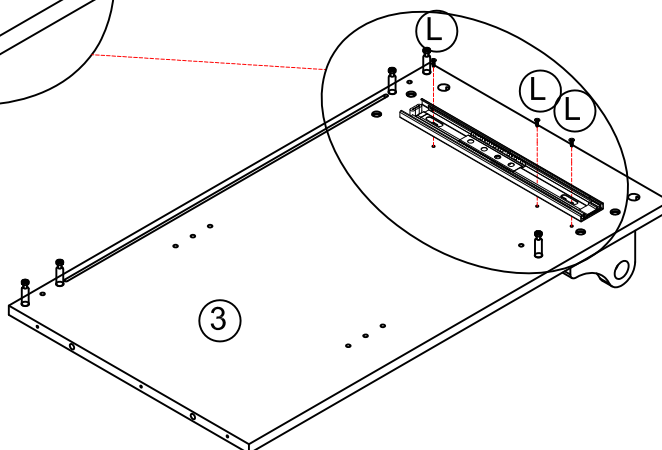
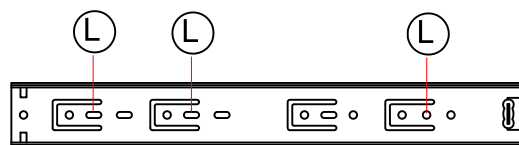
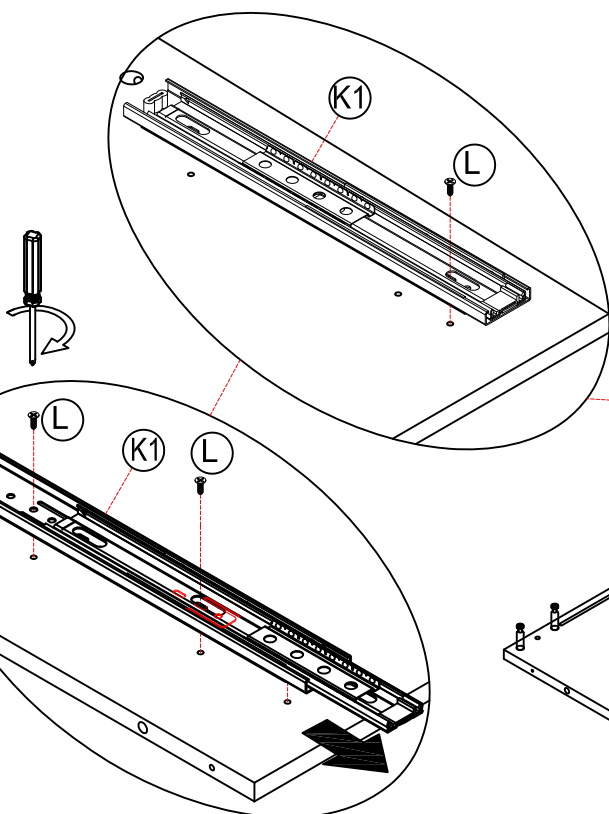


Drawer slide 14" x1

(L)

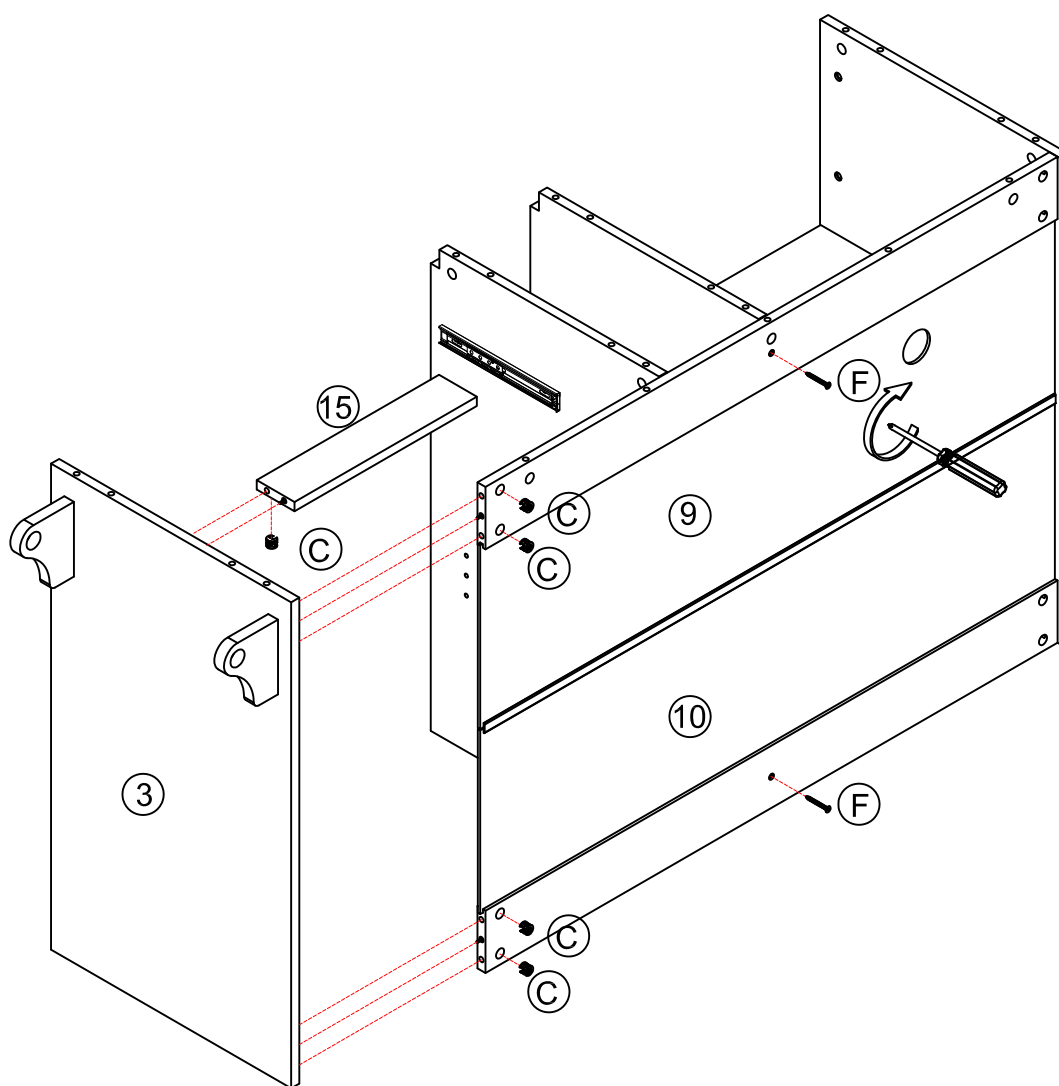
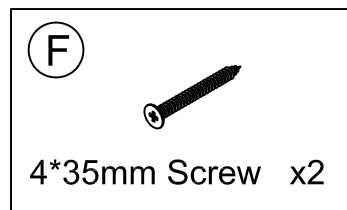
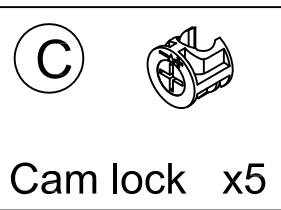
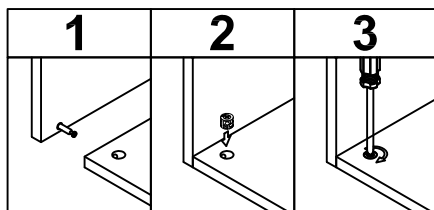


3.0*12mm Screw x3



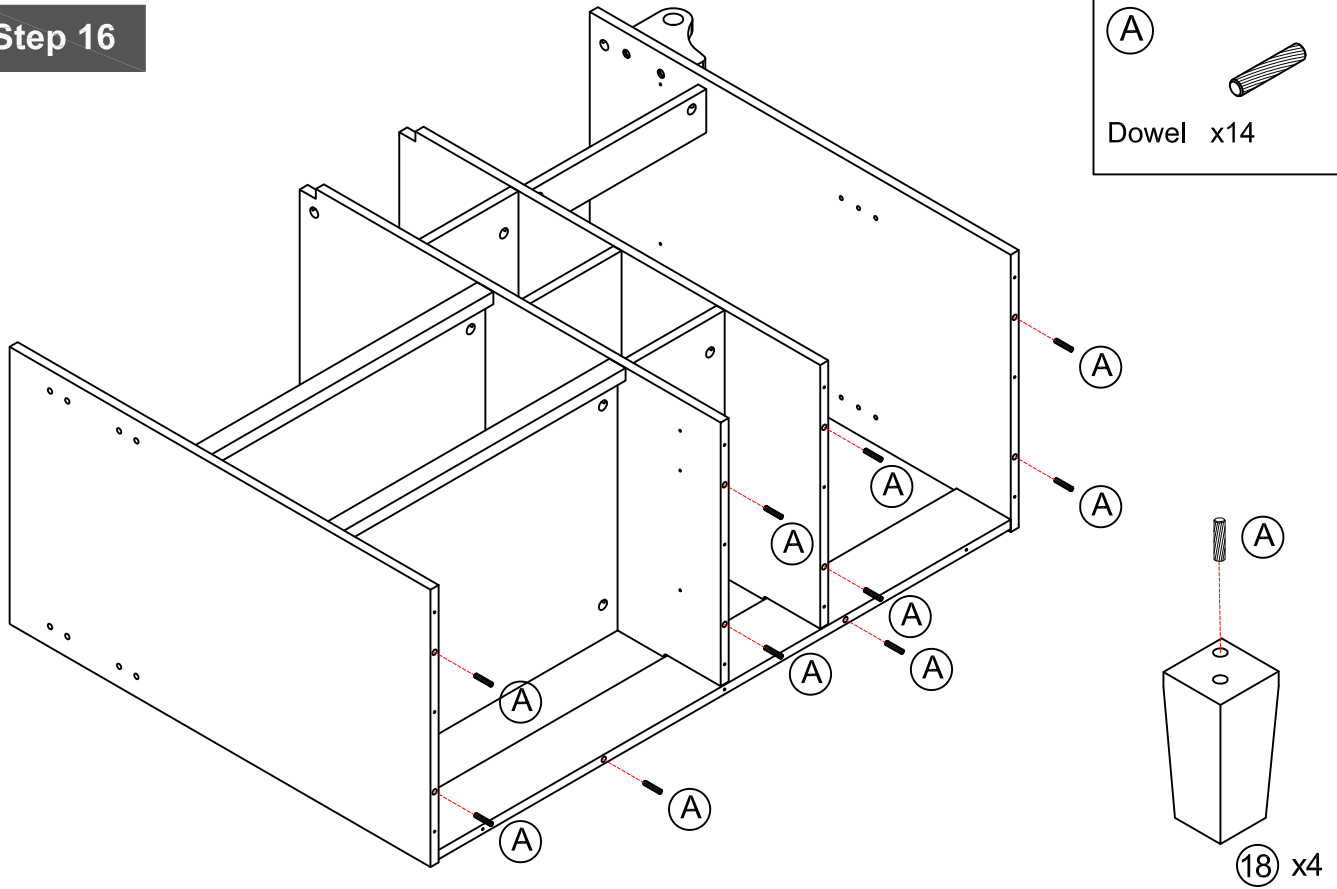
Assembly Instructions

Step 15

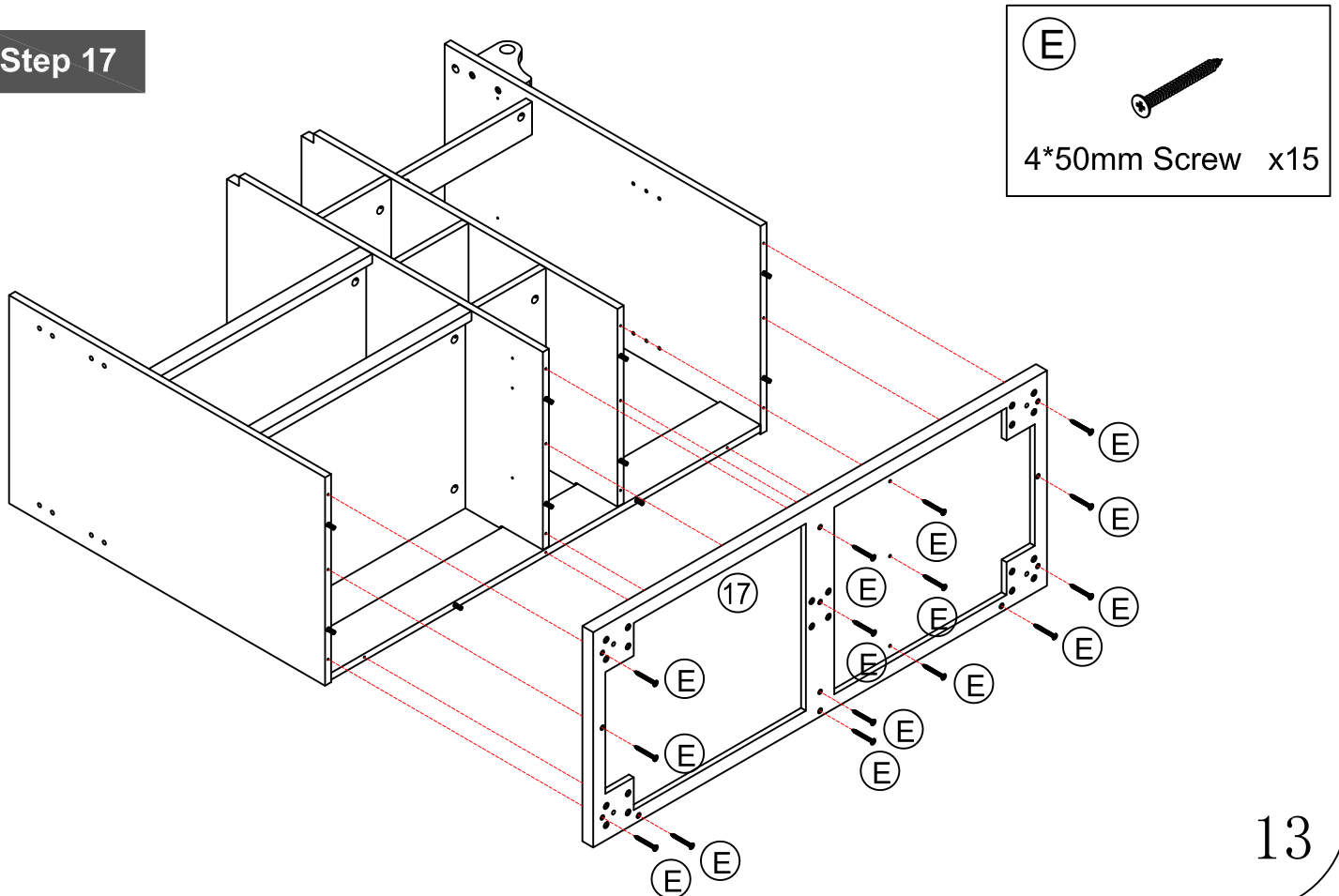


Assembly Instructions

Step 16







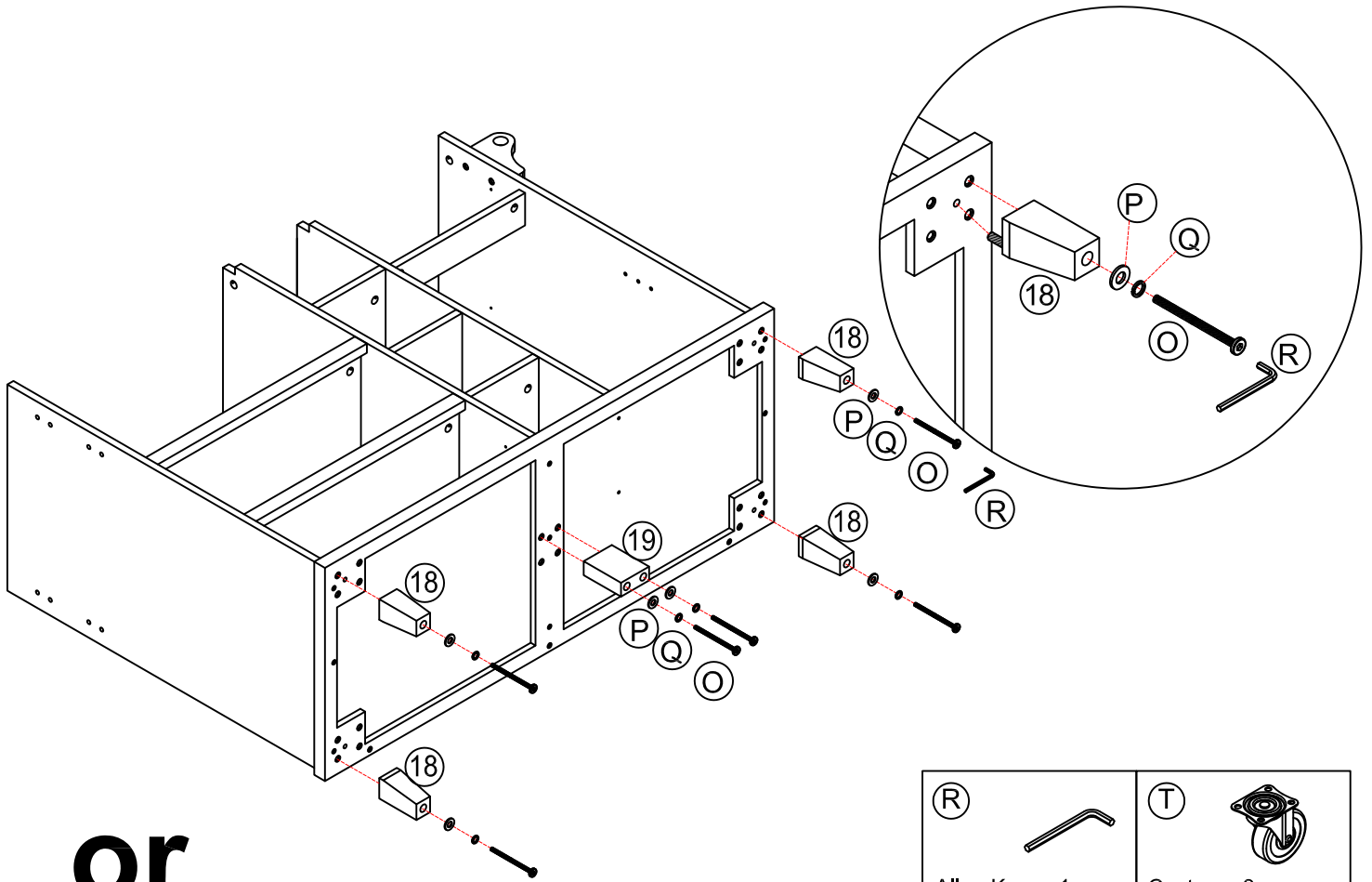
Step 17



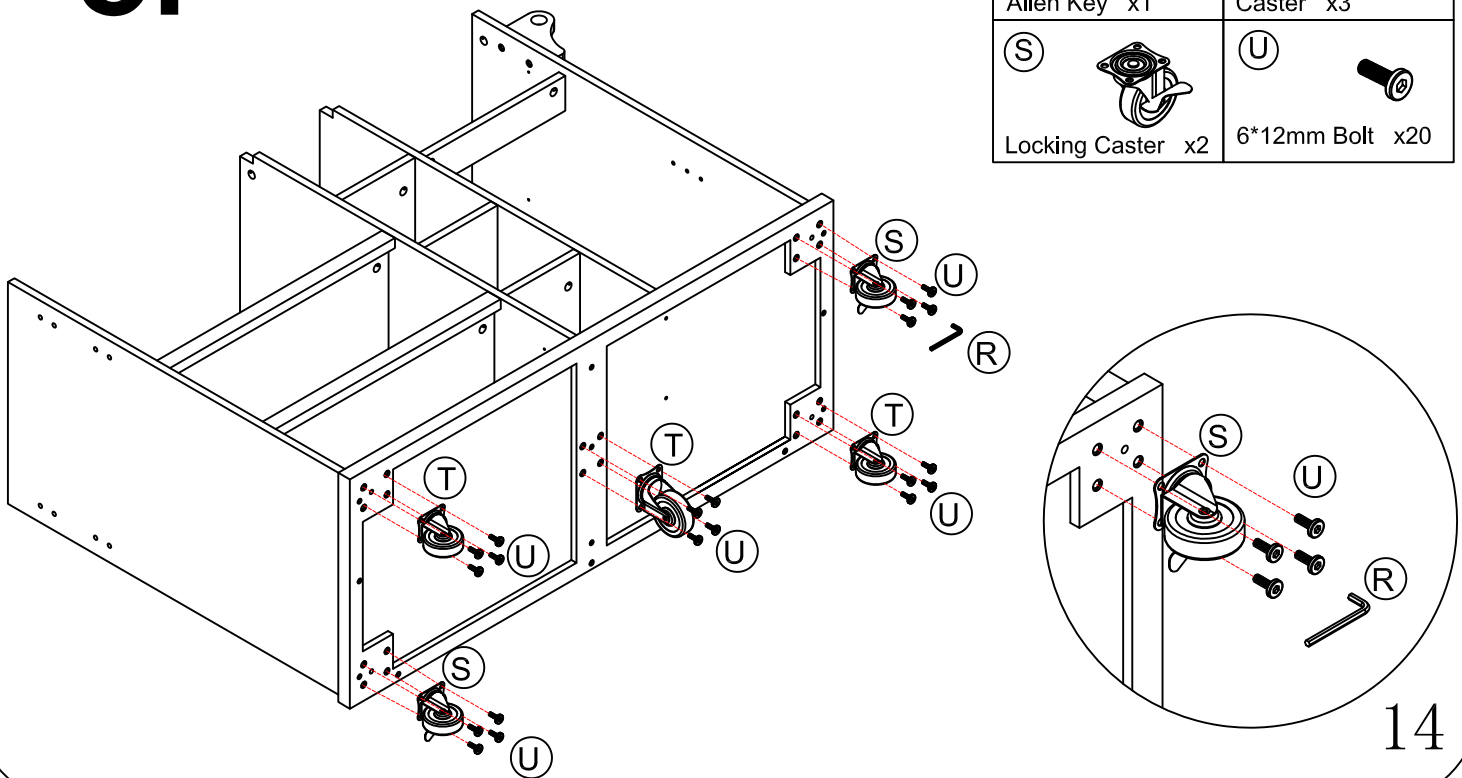
Assembly Instructions





Step 18

 6*90mm Bolt x6	 Flat Washer x6	 Lock Washer x6	 Allen Key x1
---	---	---	---



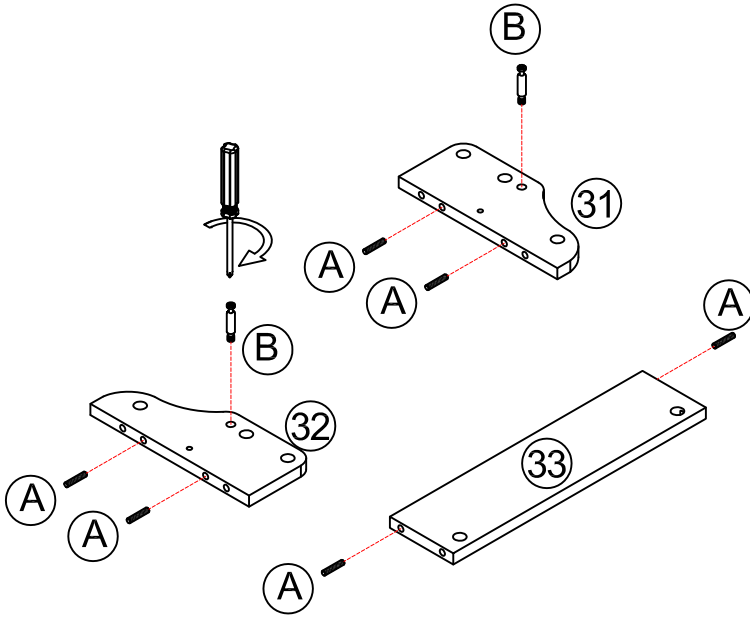
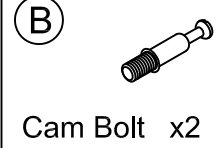
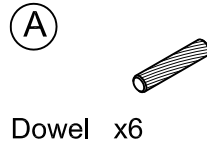
or



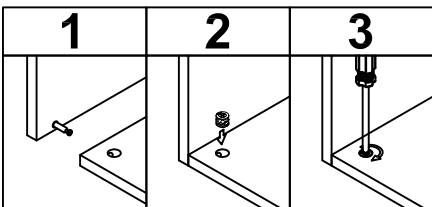
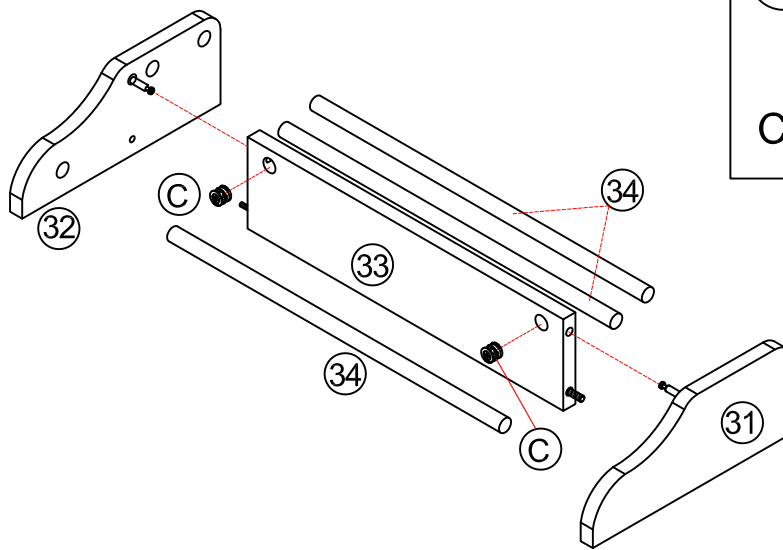
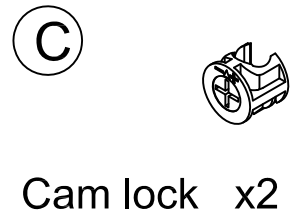
 Allen Key x1	 Caster x3
 Locking Caster x2	 6*12mm Bolt x20

Assembly Instructions

Step 19



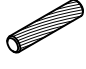


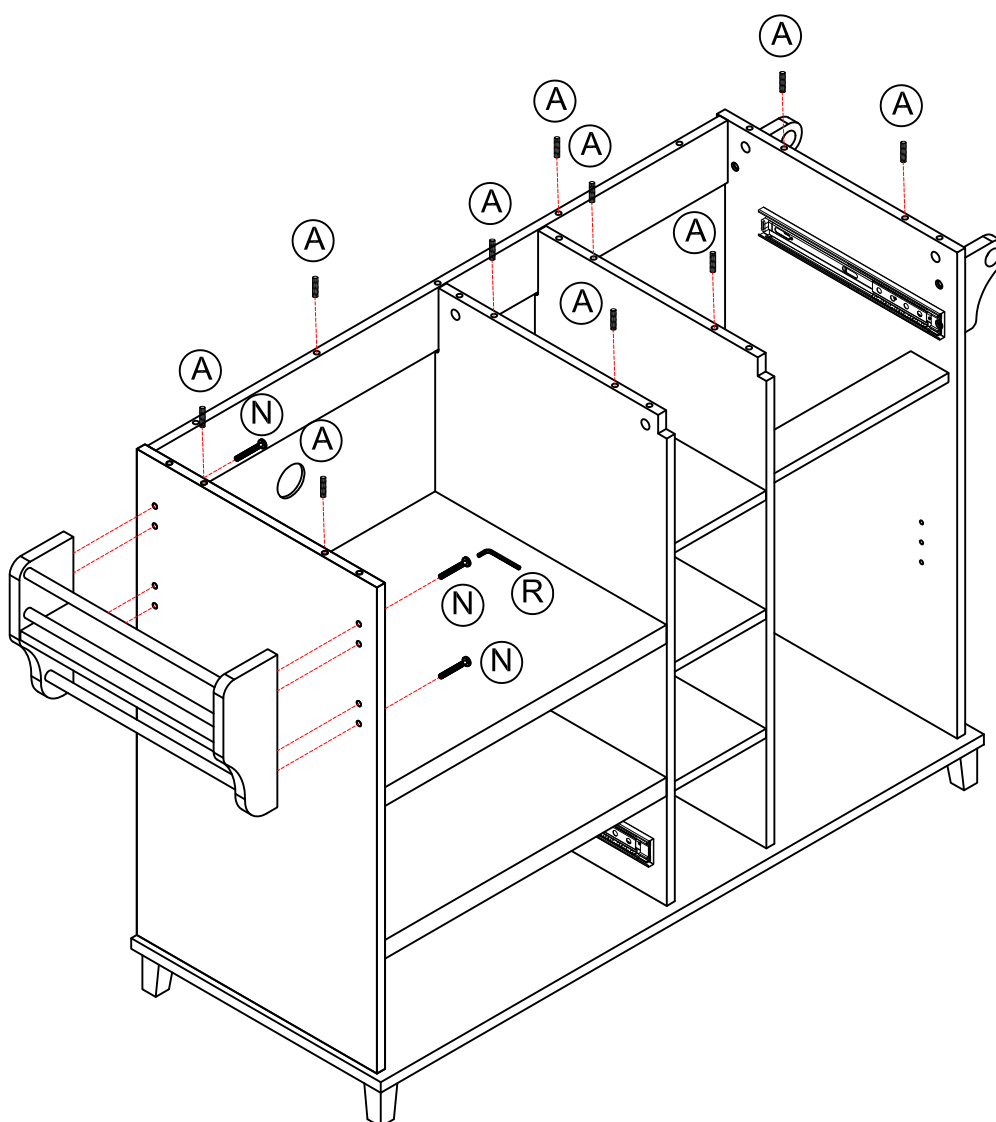
Step 20



Assembly Instructions

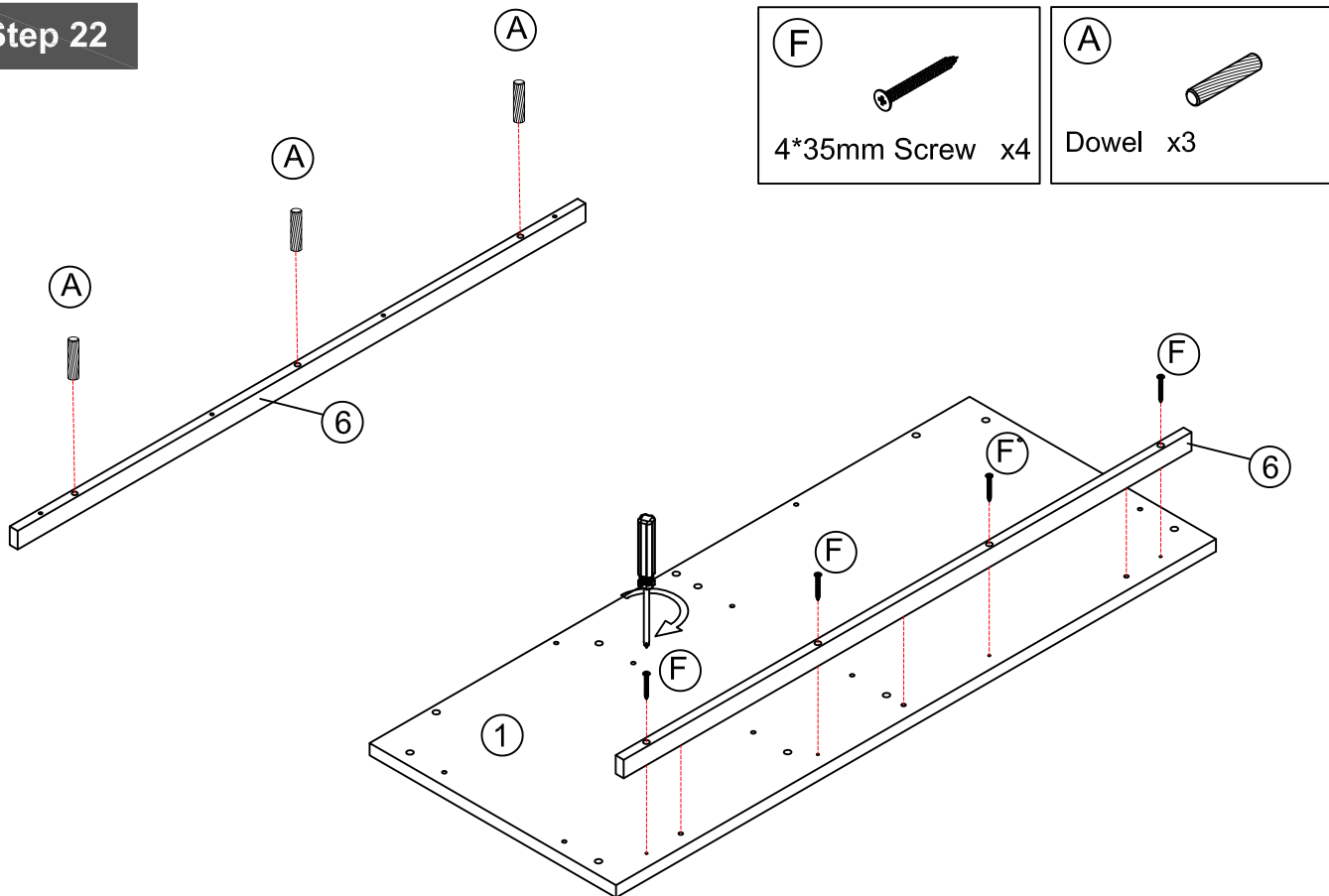
Step 21

<p>(R)  Allen Key x1</p>	<p>(N)  6*32mm Bolt x4</p>	<p>(A)  Dowel x10</p>
---	---	--

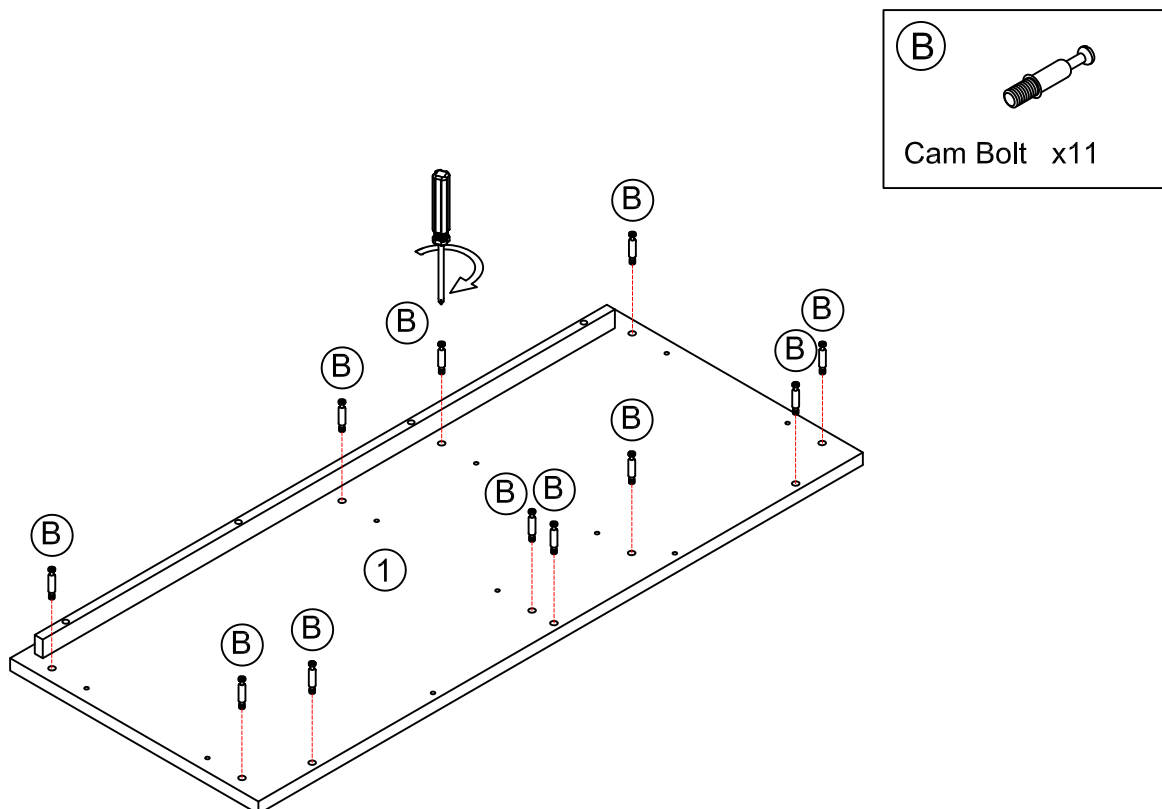


Assembly Instructions

Step 22

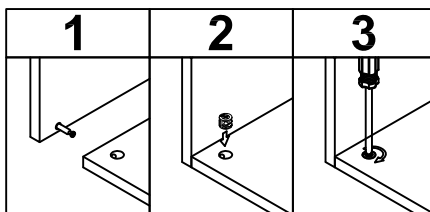


Step 23



Assembly Instructions

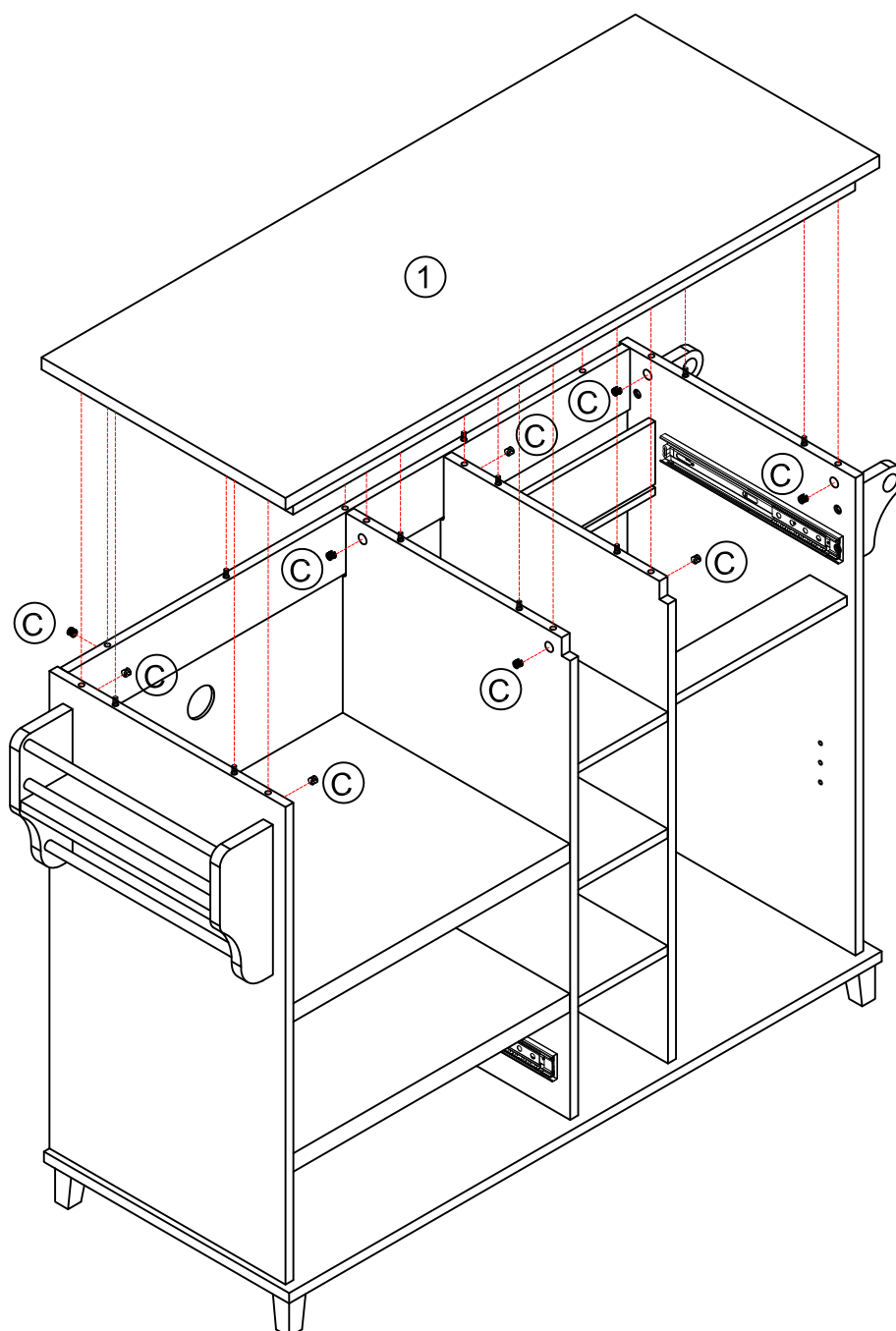
Step 24



C

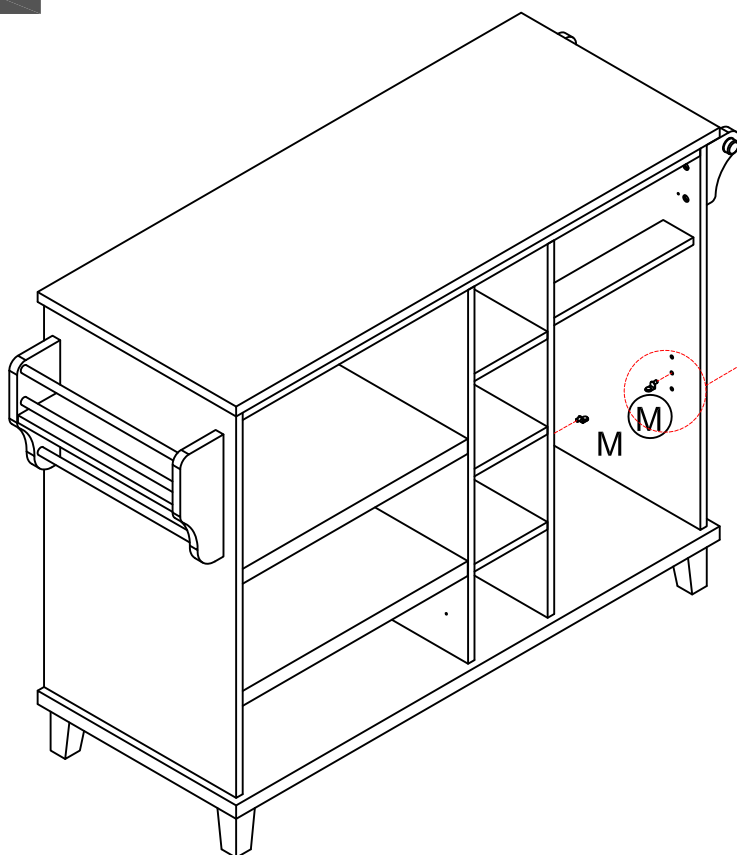


Cam lock x11



Assembly Instructions

Step 25



(M)

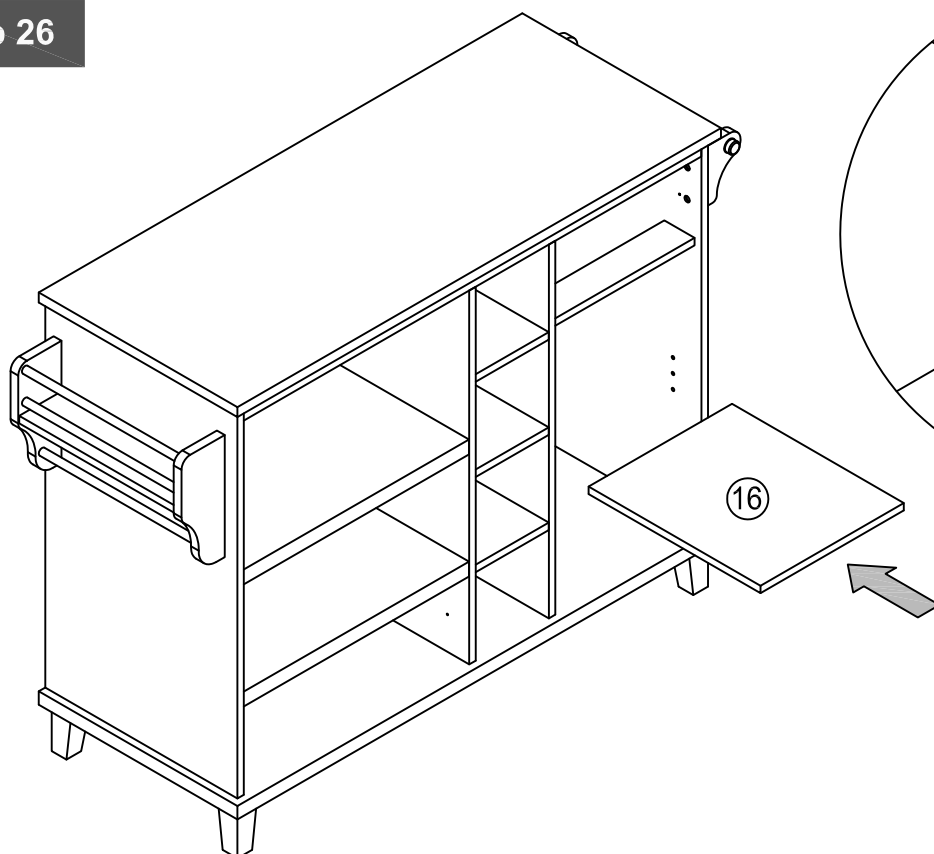


Shelf Support Pin x4

(M)

M

Step 26



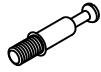
16

(M)

Assembly Instructions

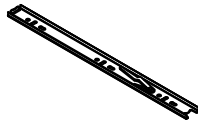
Step 27

(B)



Cam Bolt x8

(K2)

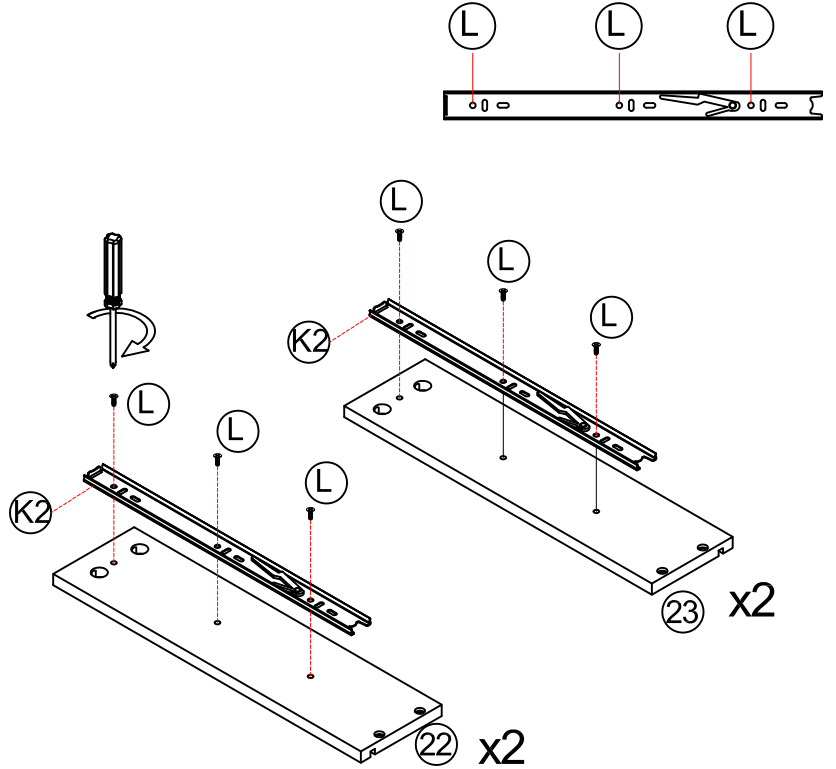
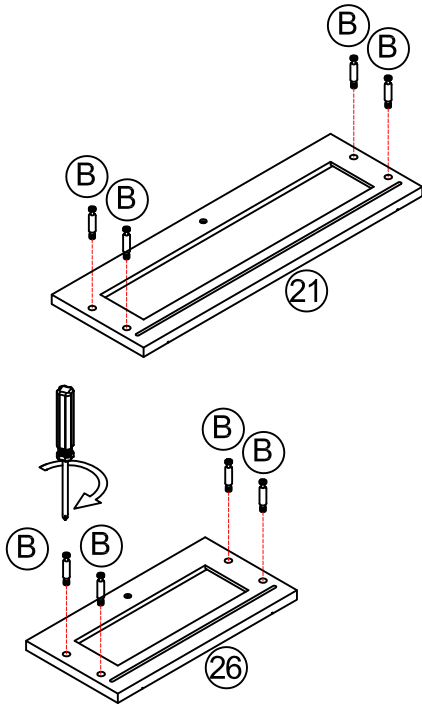


Drawer slide 14" x4

(L)



3.0*12mm Screw x12

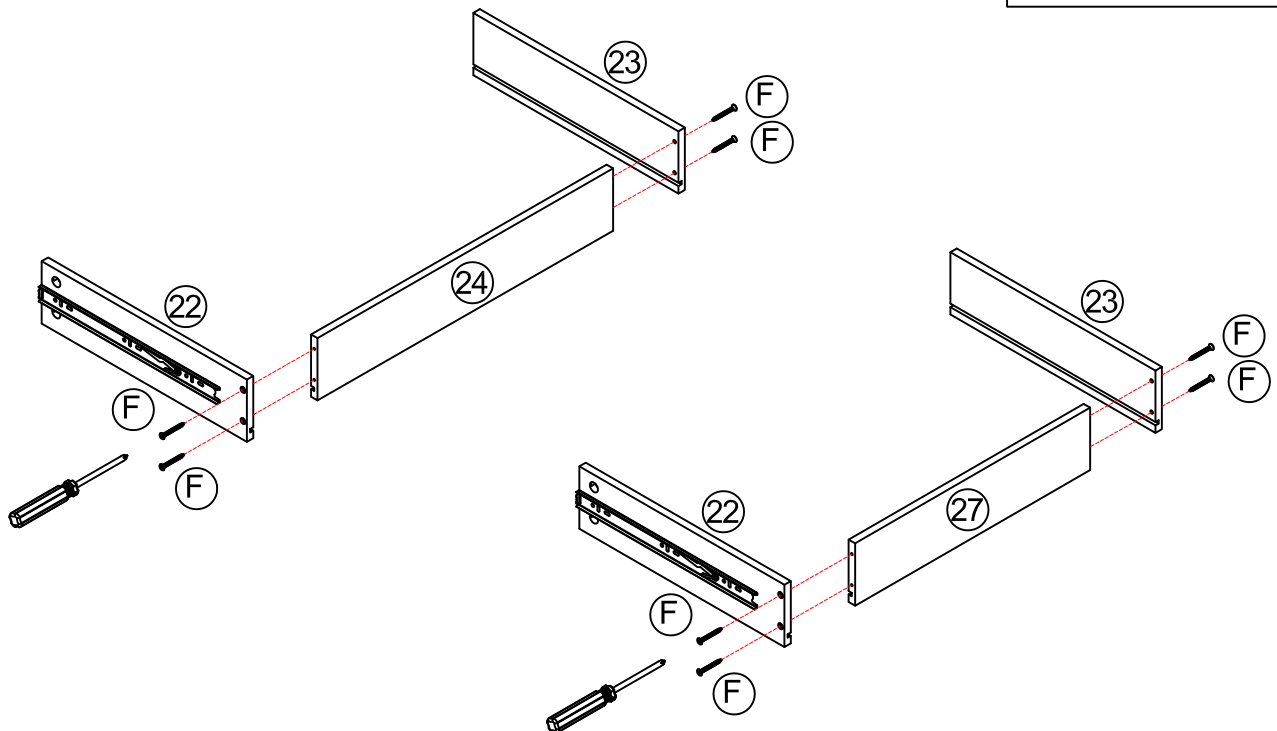


Step 28

(F)

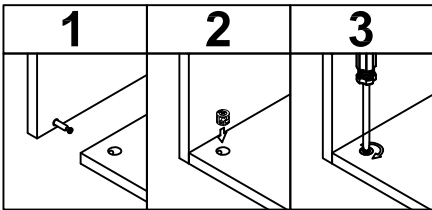
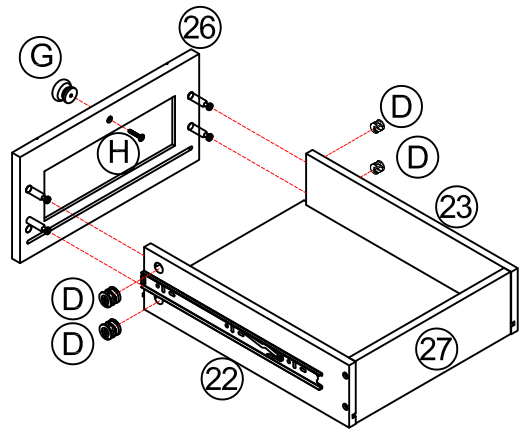
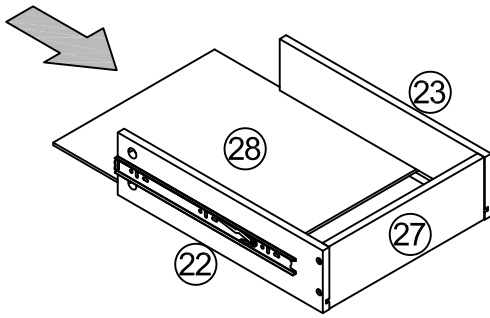
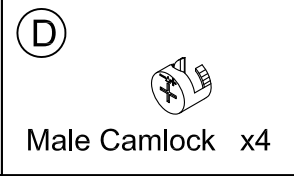
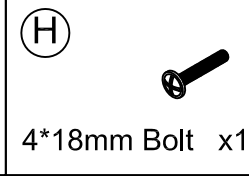
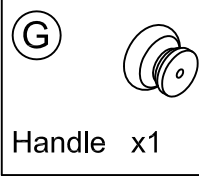


4*35mm Screw x8

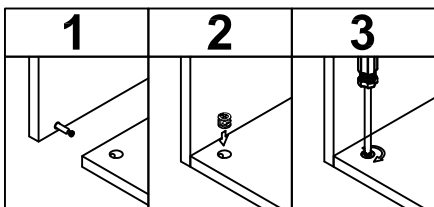
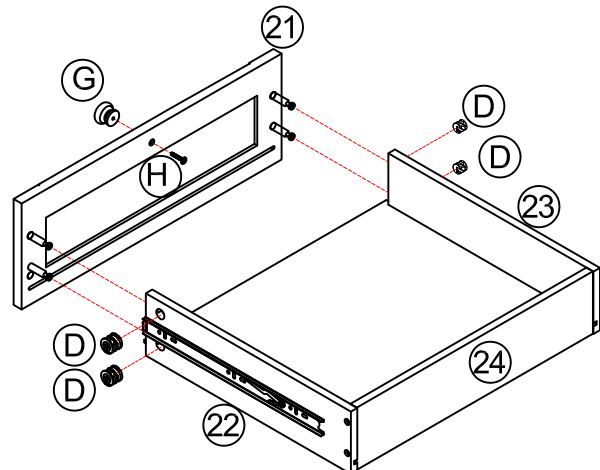
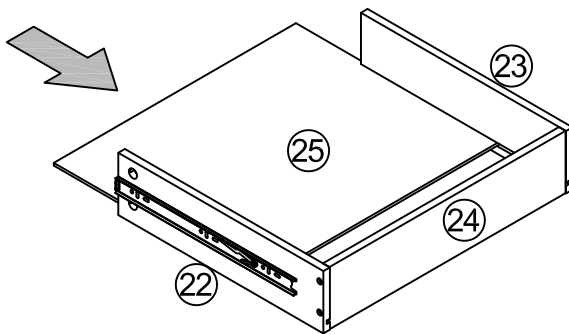
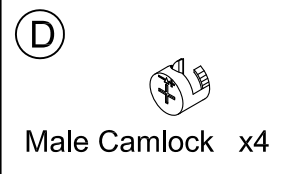
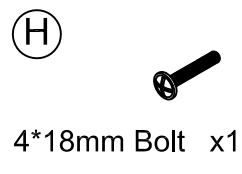
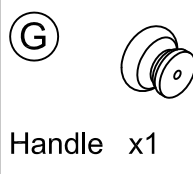


Assembly Instructions

Step 29

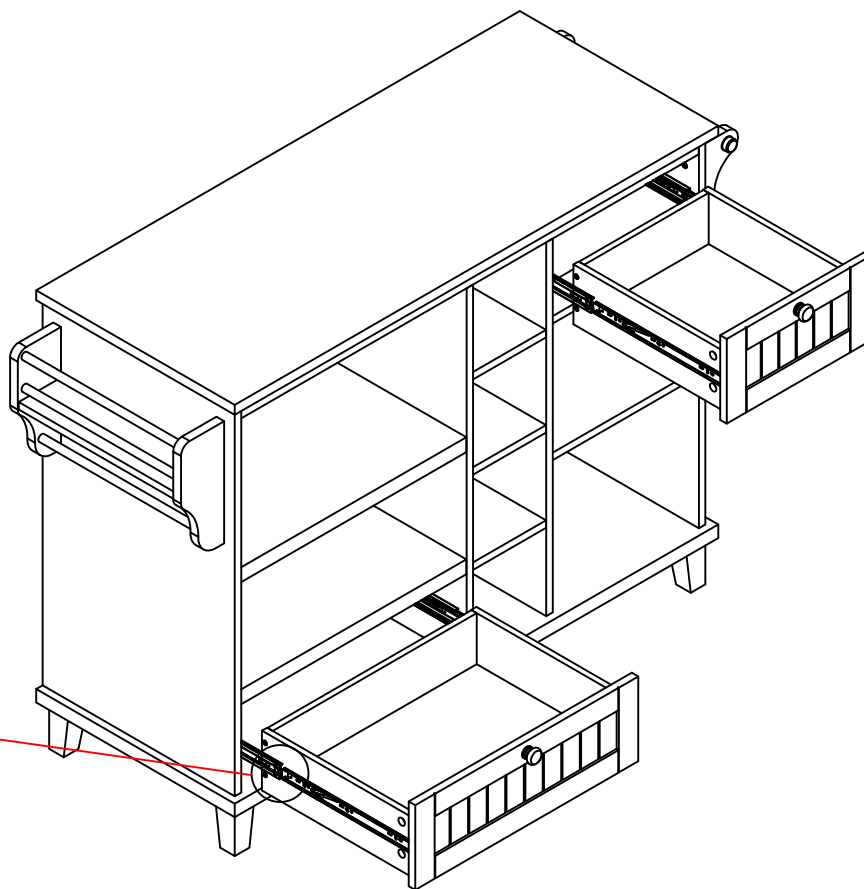
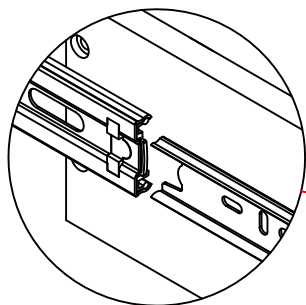
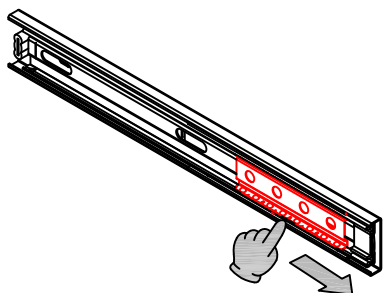


Step 30



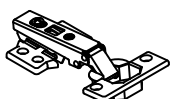
Assembly Instructions

Step 31



Step 32

I



Door Hinge x2

J



3.5*14mm Screw x4

G

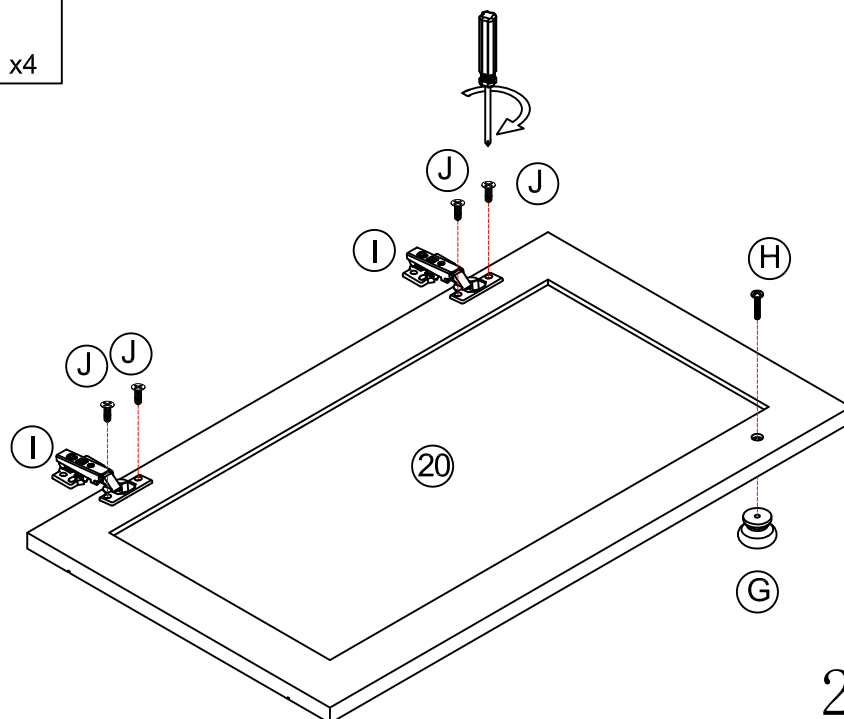


Handle x1

H



4*18mm Bolt x1



Assembly Instructions

Step 33

J



3.5*14mm Screw x8

