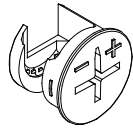
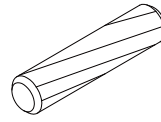


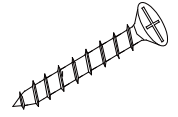
A x16



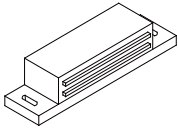
B x16



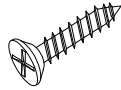
C x28



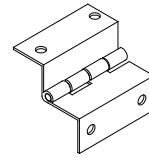
D x16



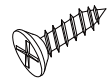
E x1



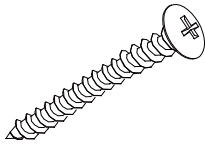
F x2



G x4



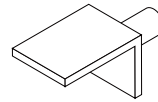
H x18



I x4



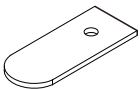
J x22



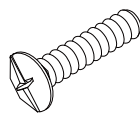
K x 8



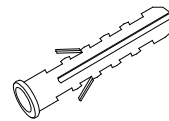
L x2



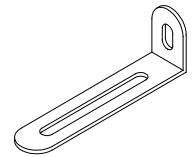
M x2



N x2



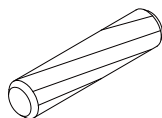
O x2



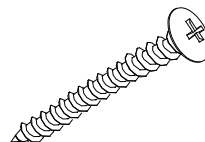
P x2



Q x2

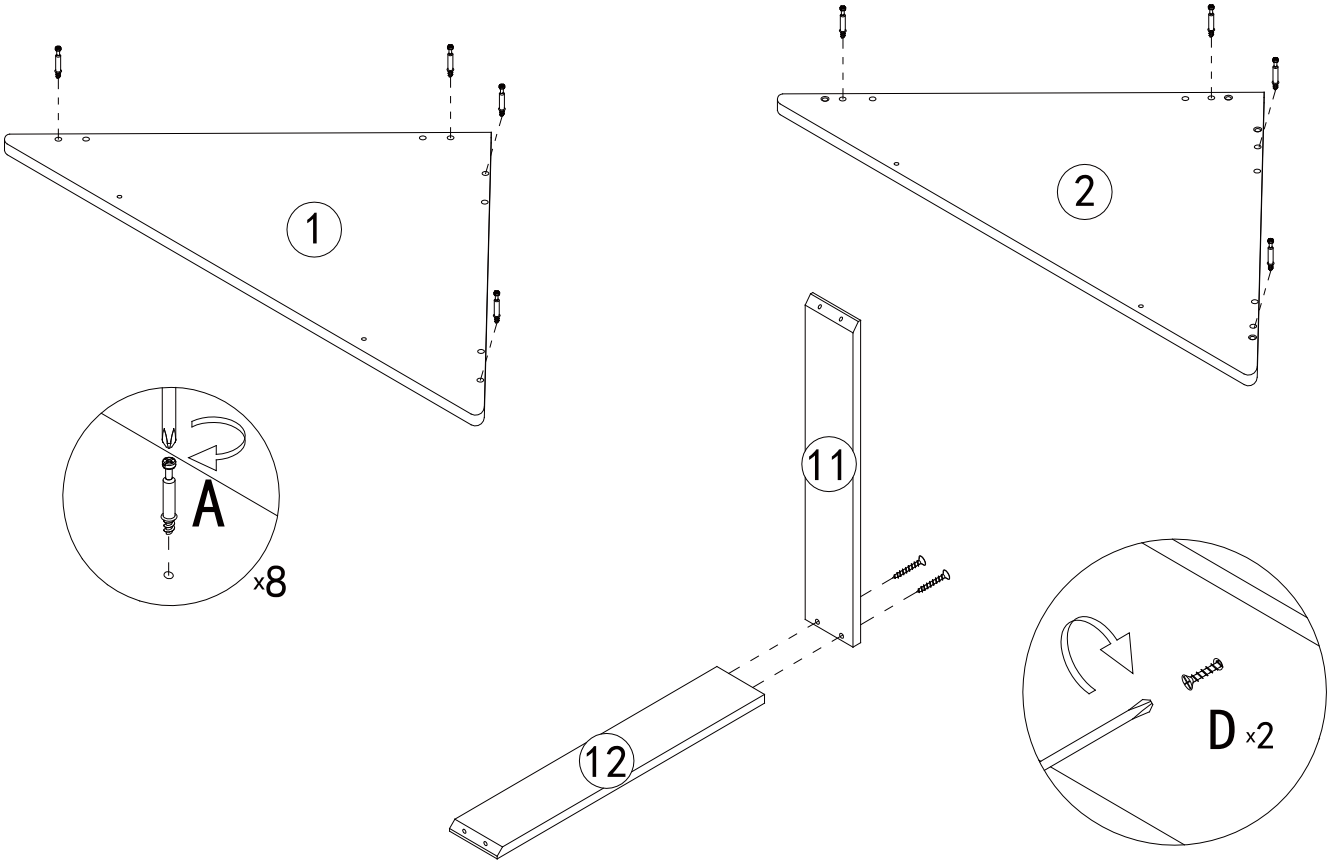


R x4

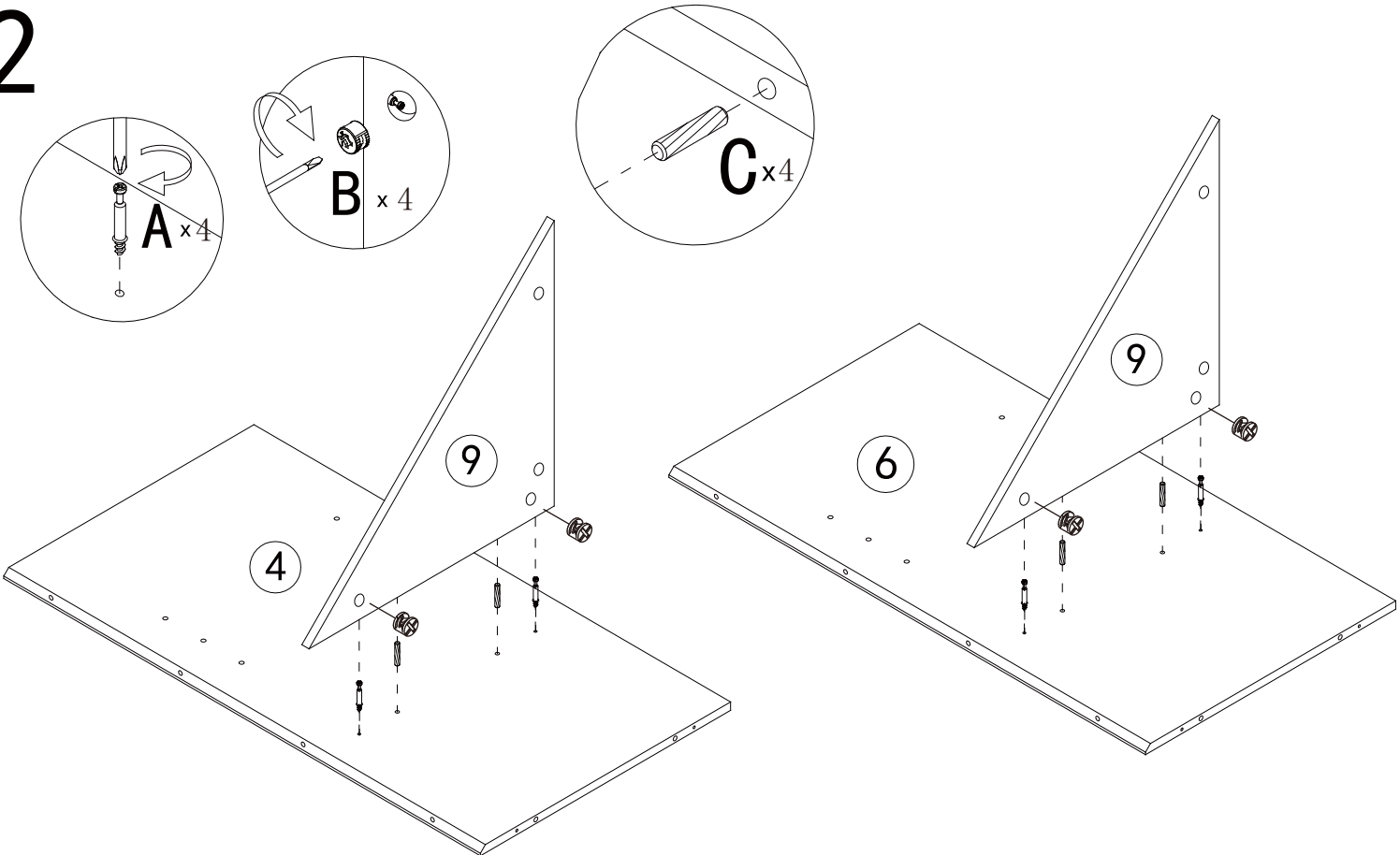


S x6

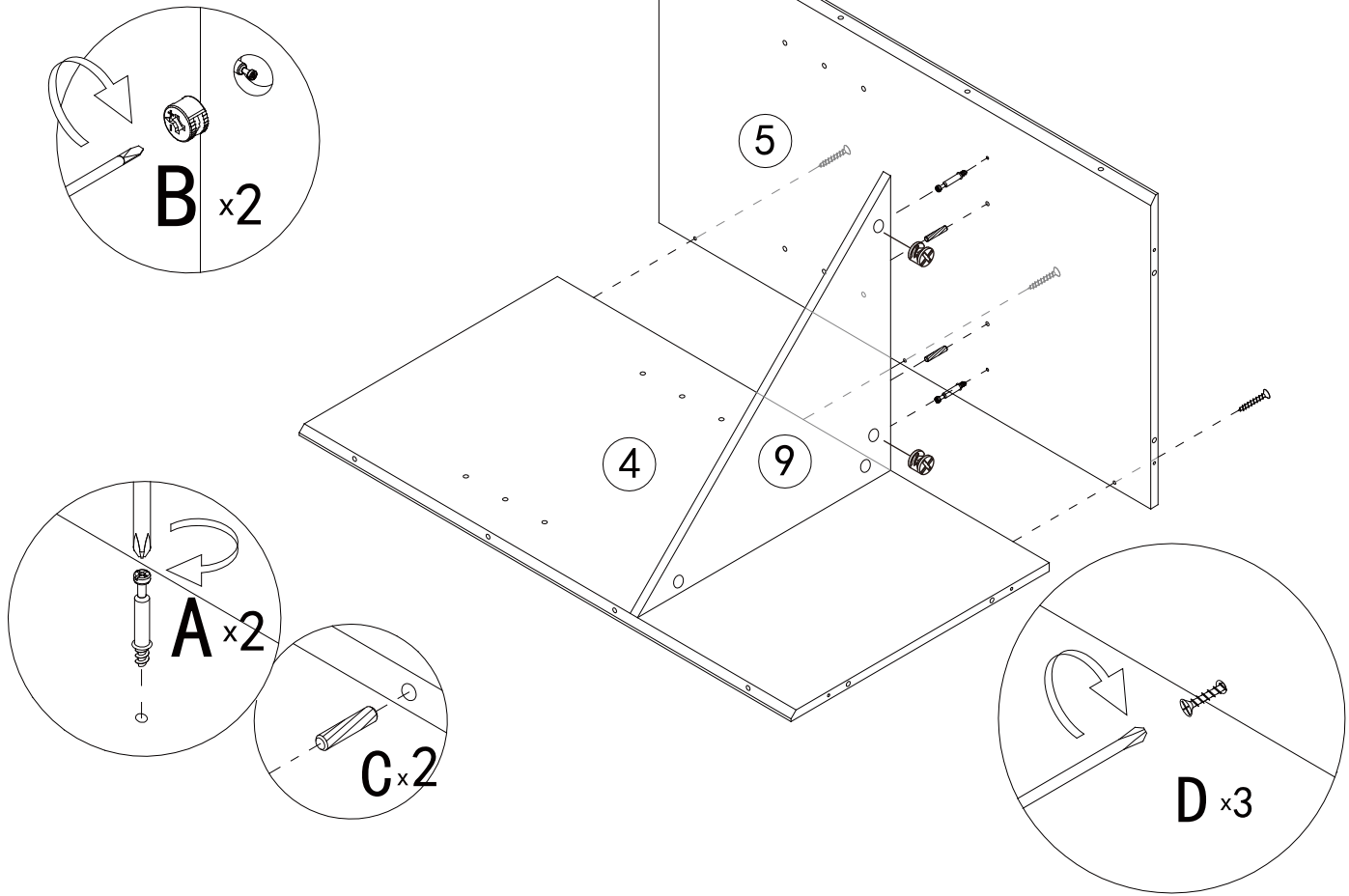
1



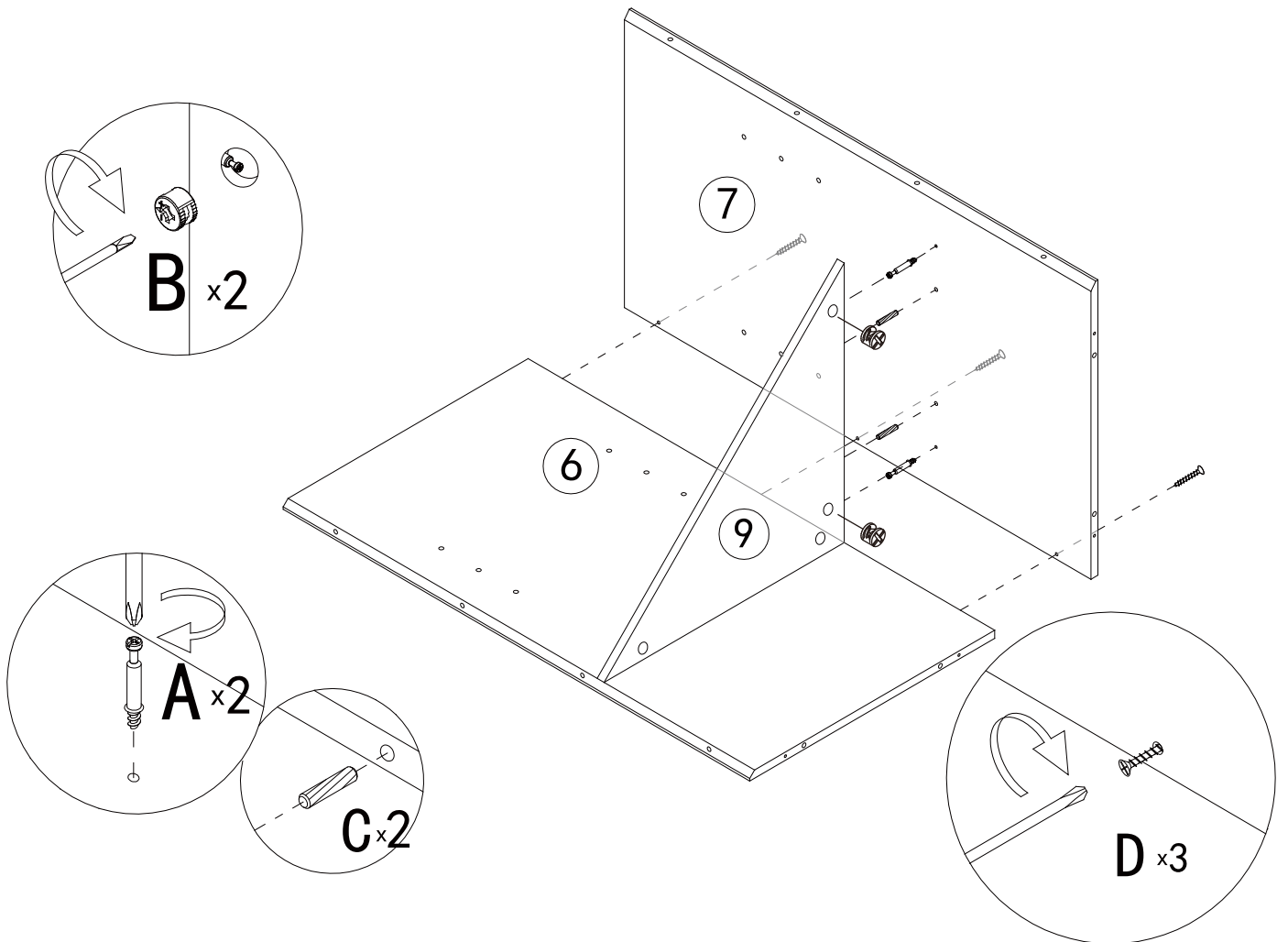
2



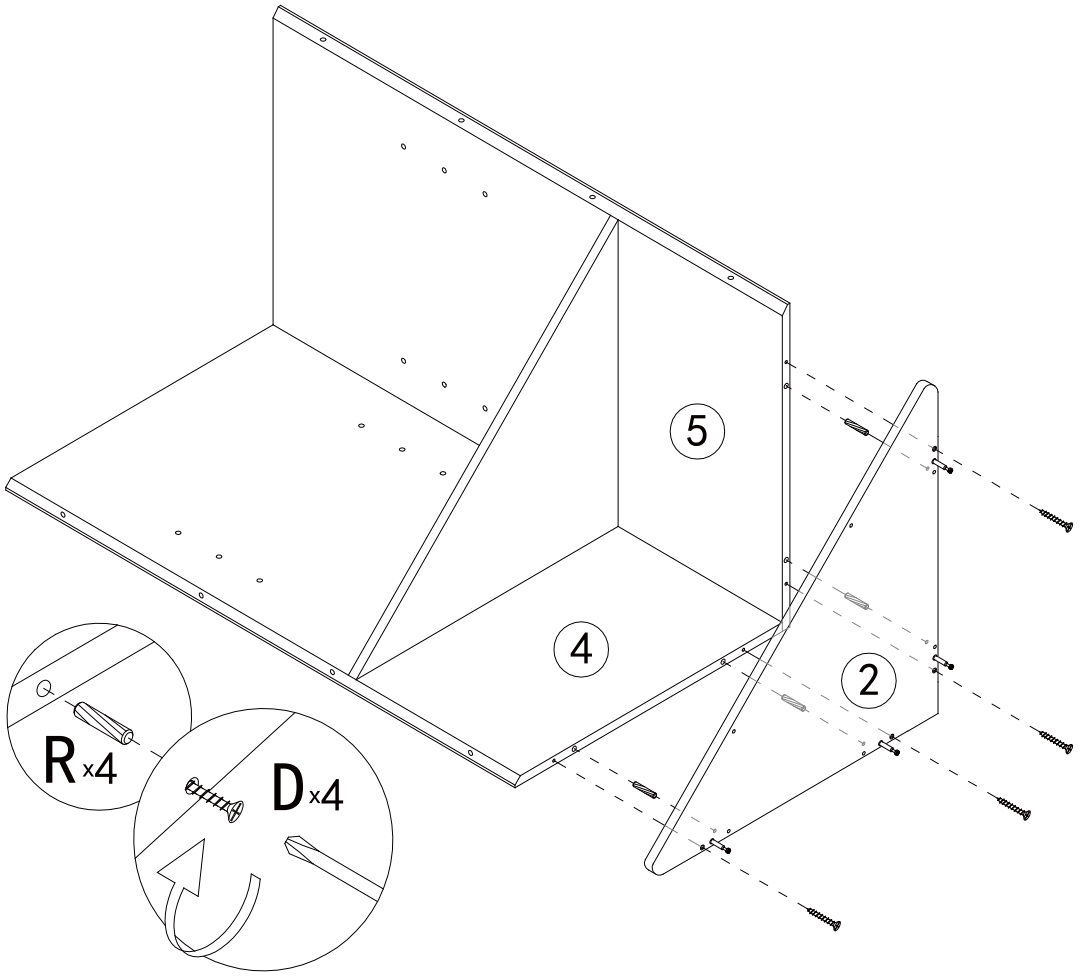
3



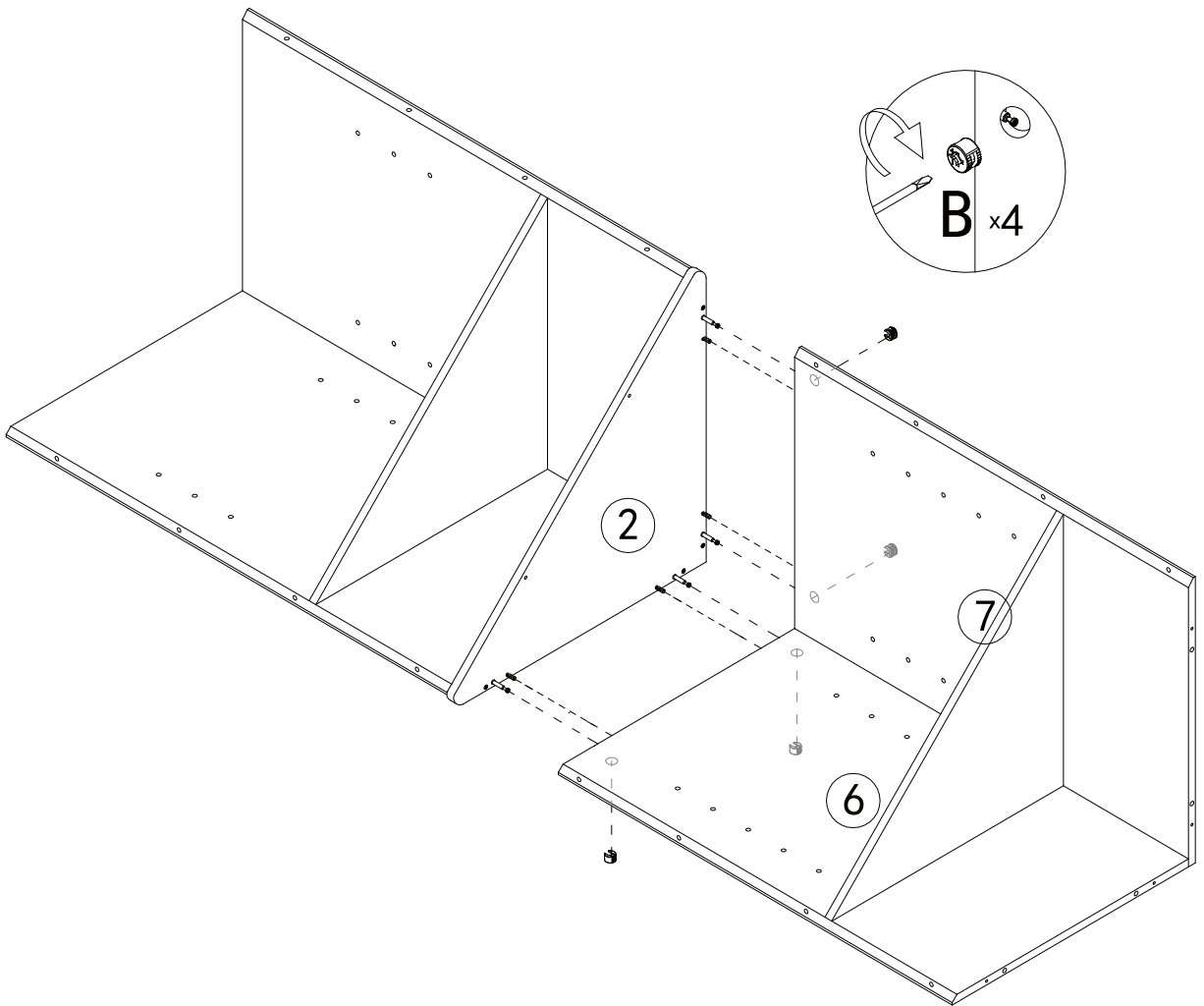
4



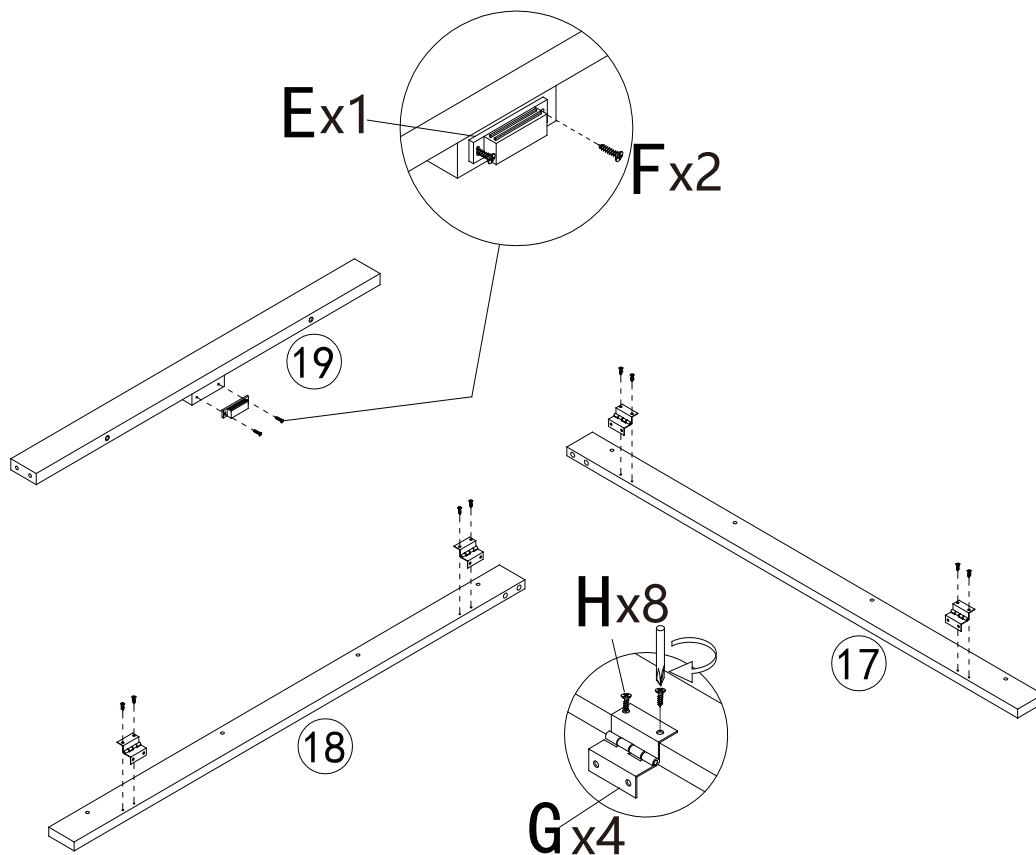
5



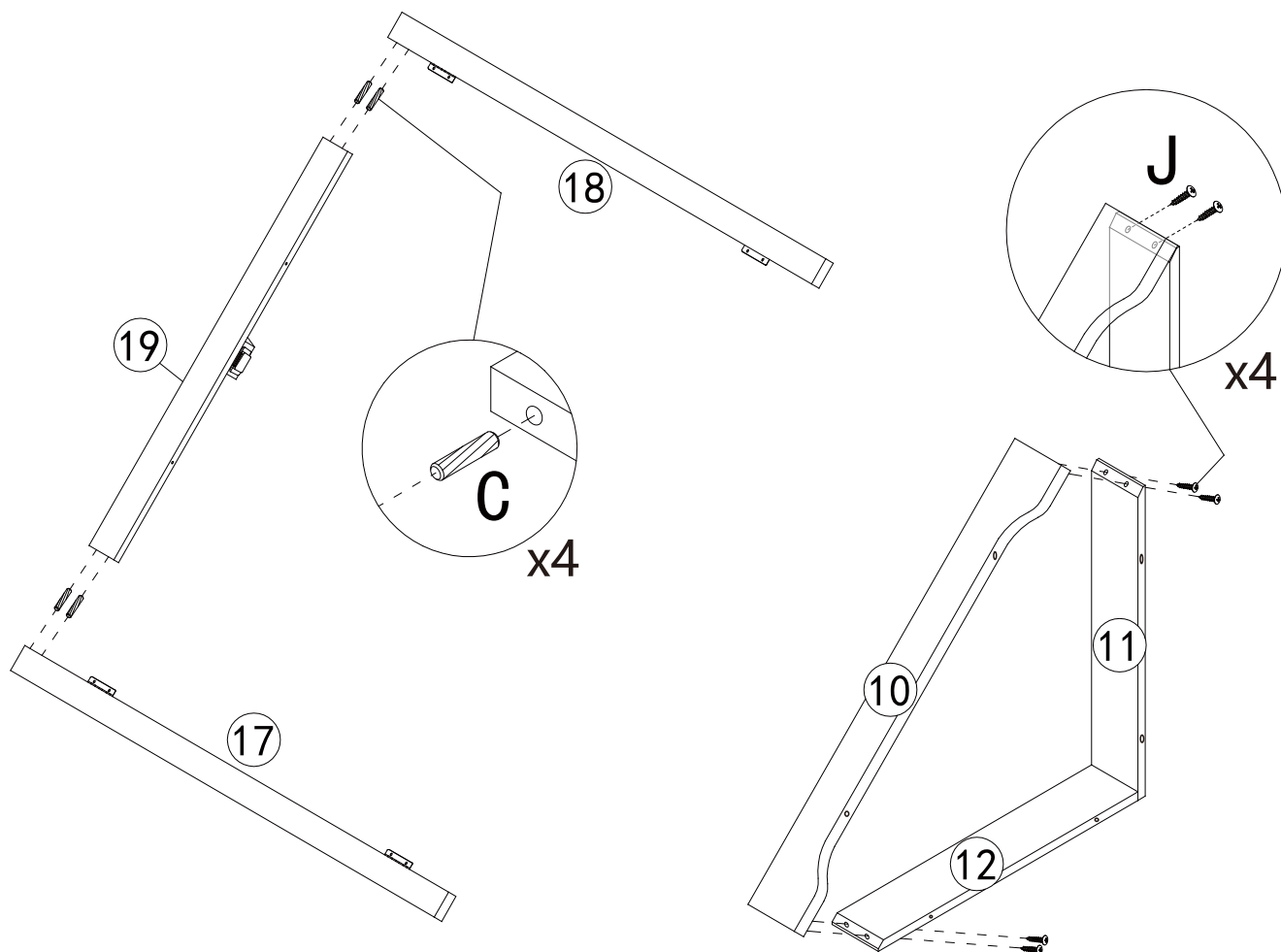
6



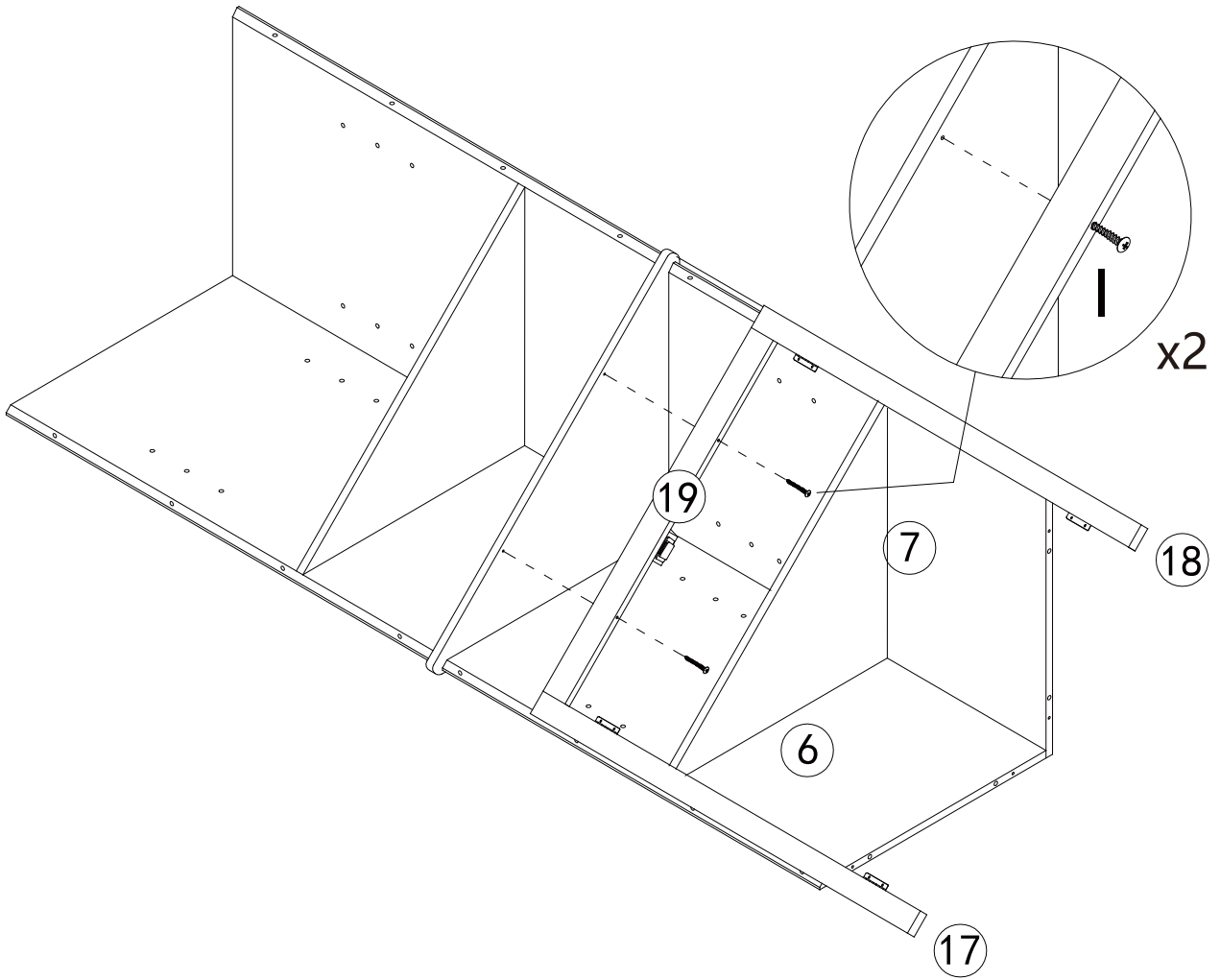
7



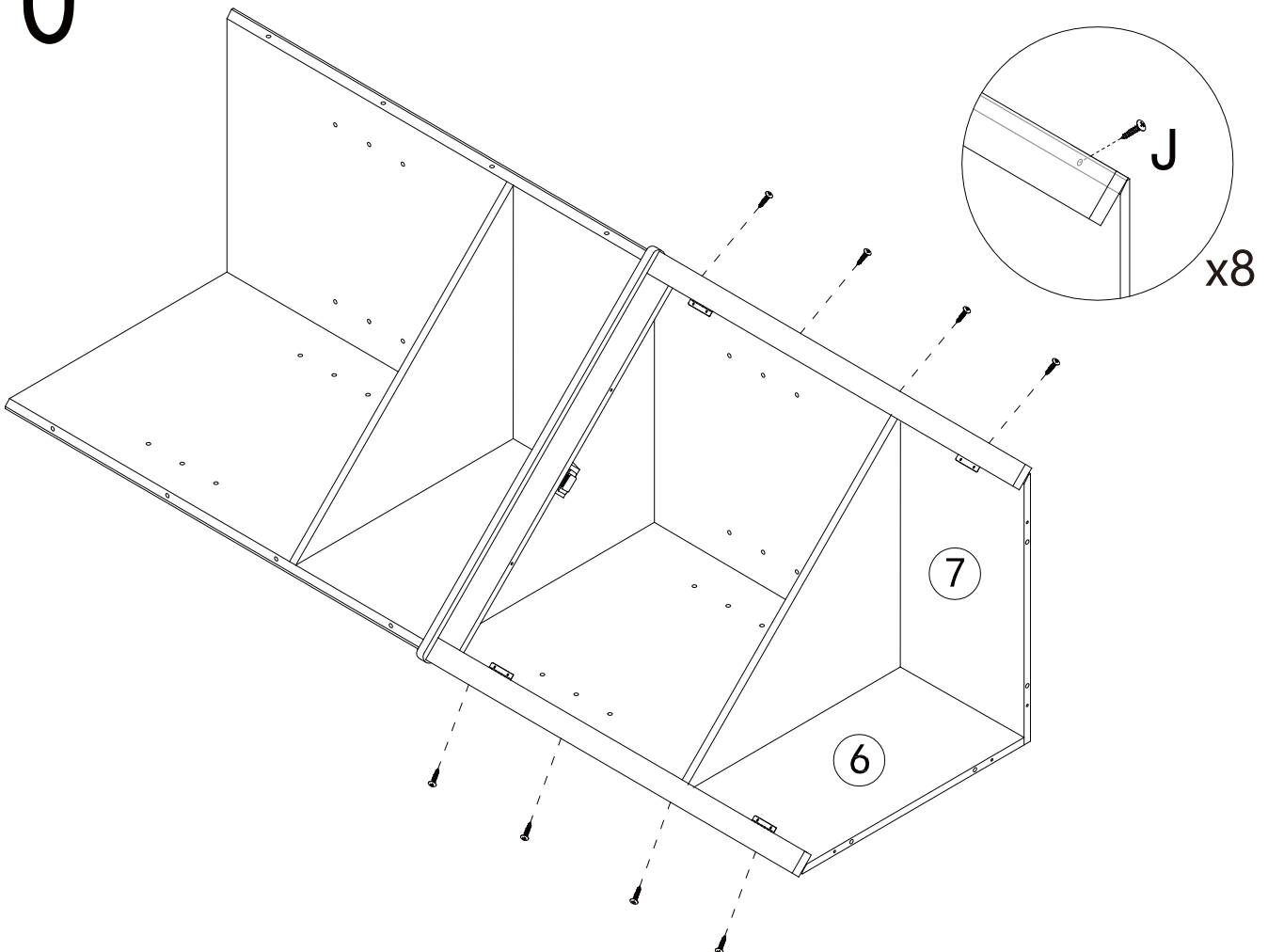
8



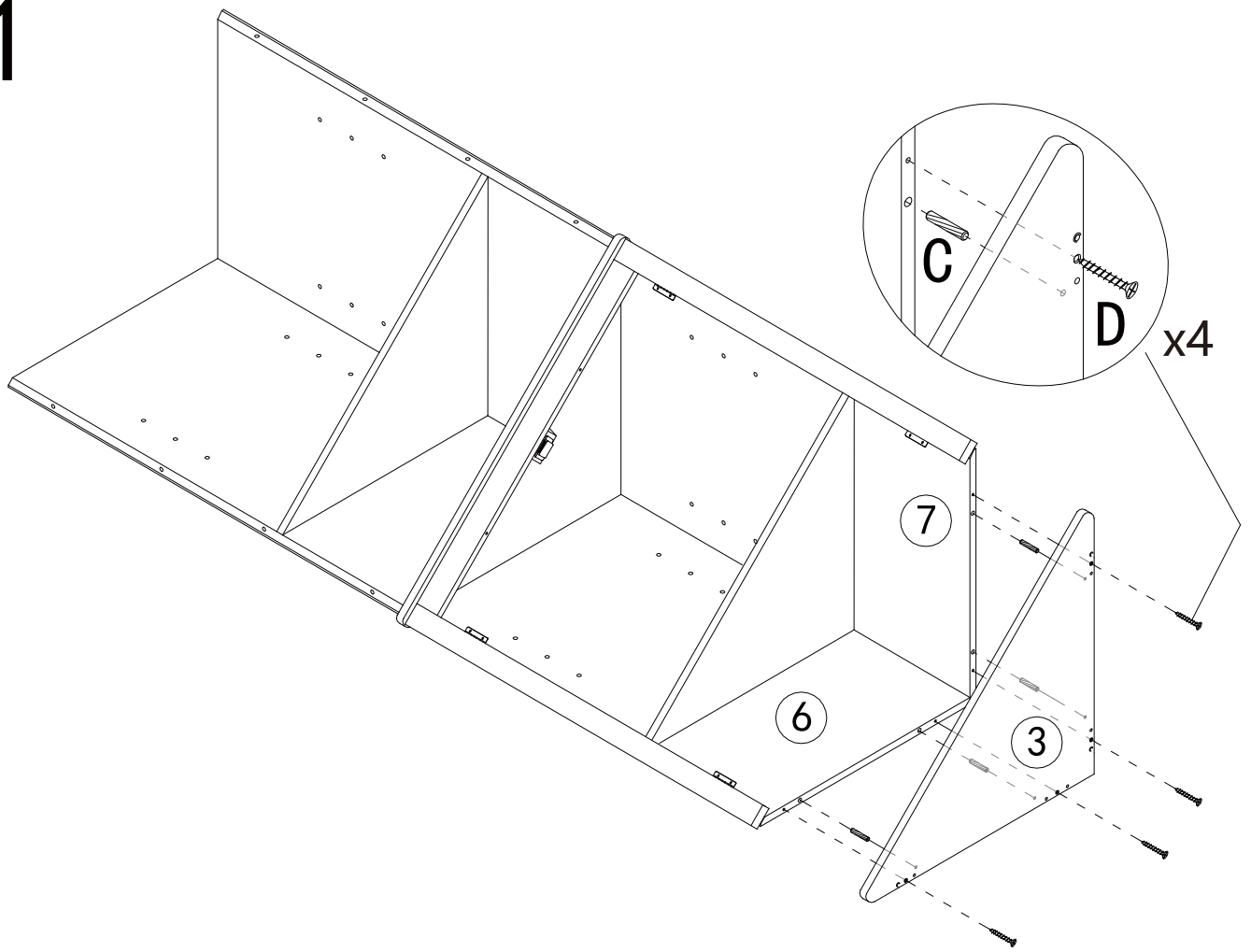
9



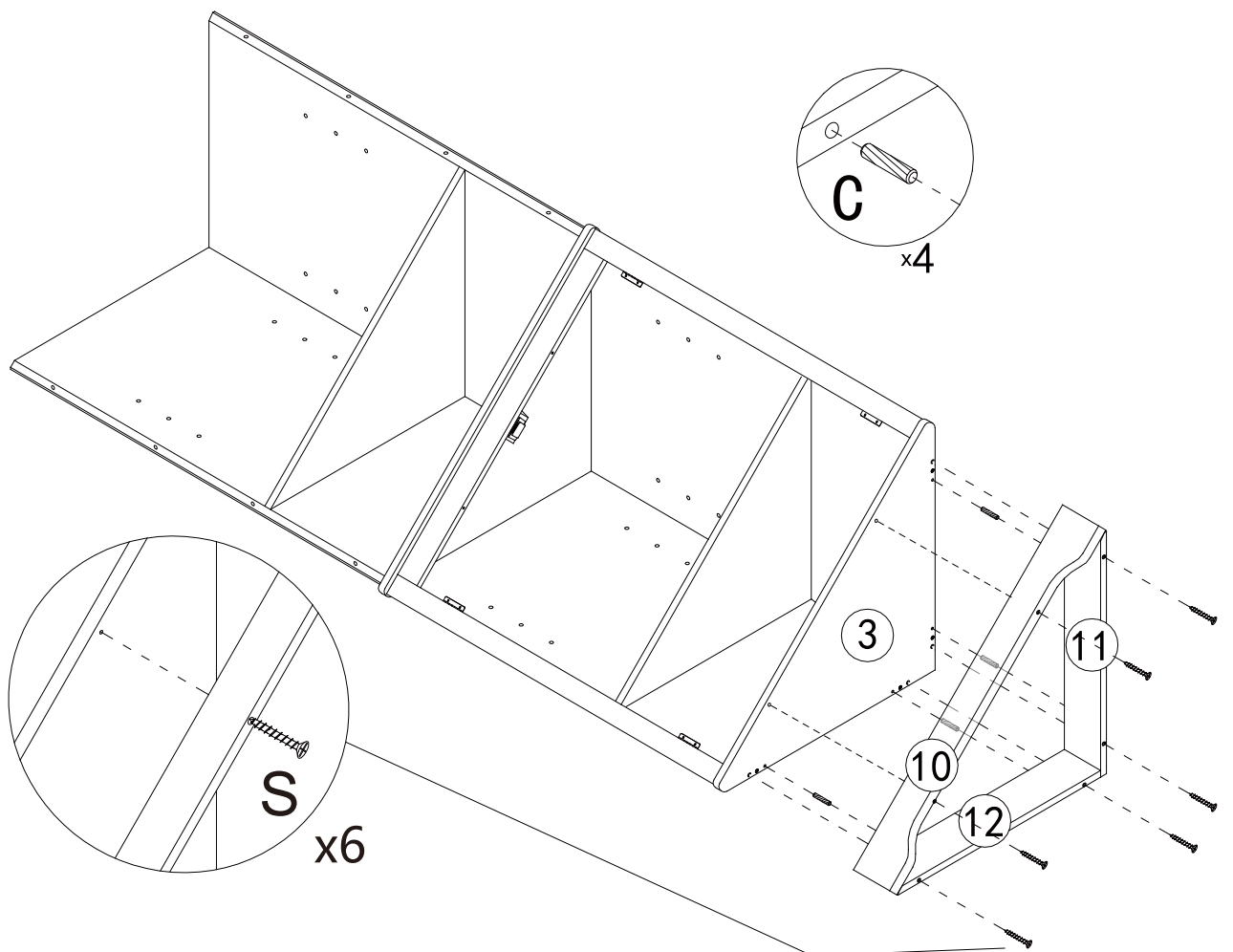
10



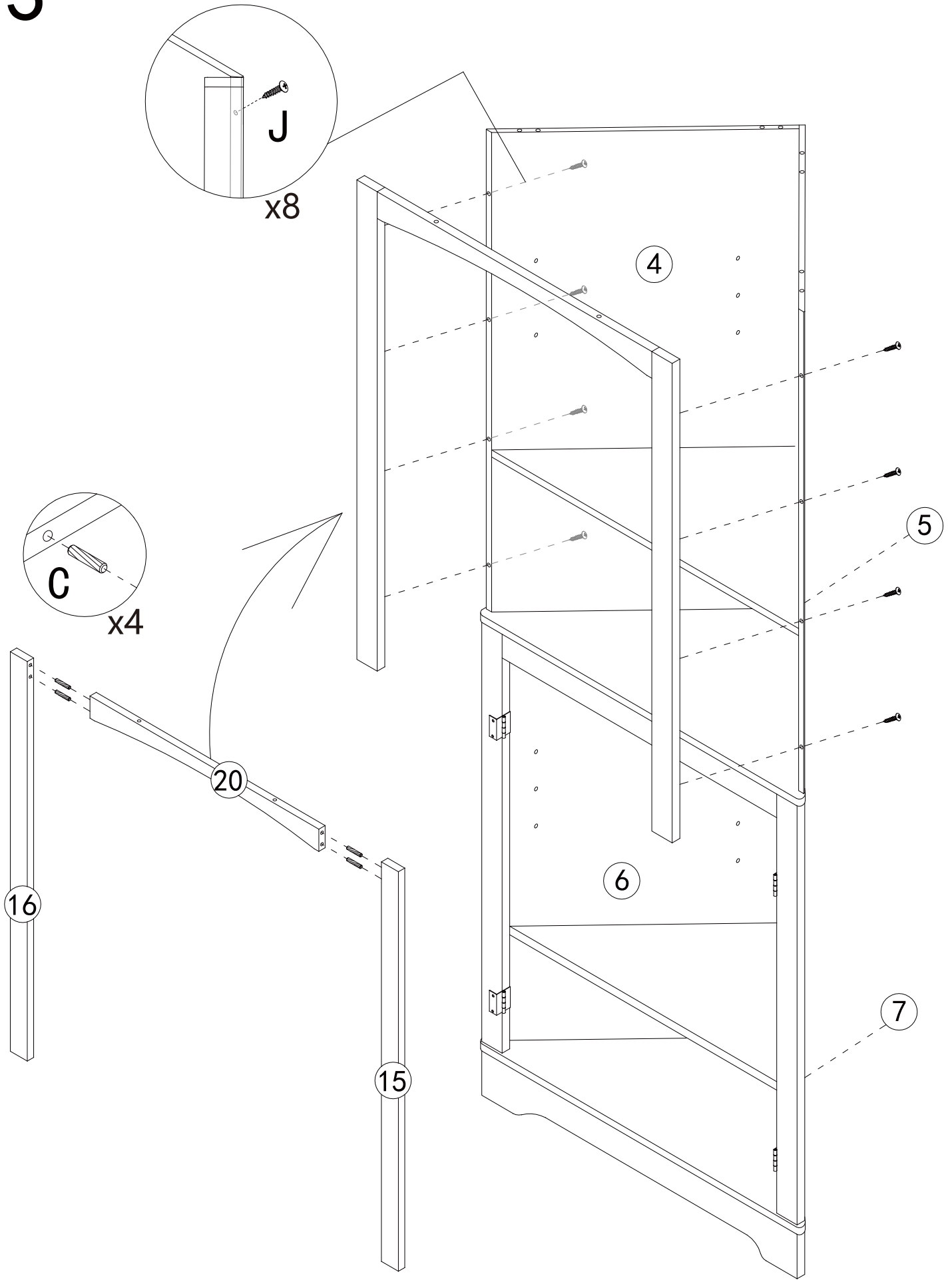
11

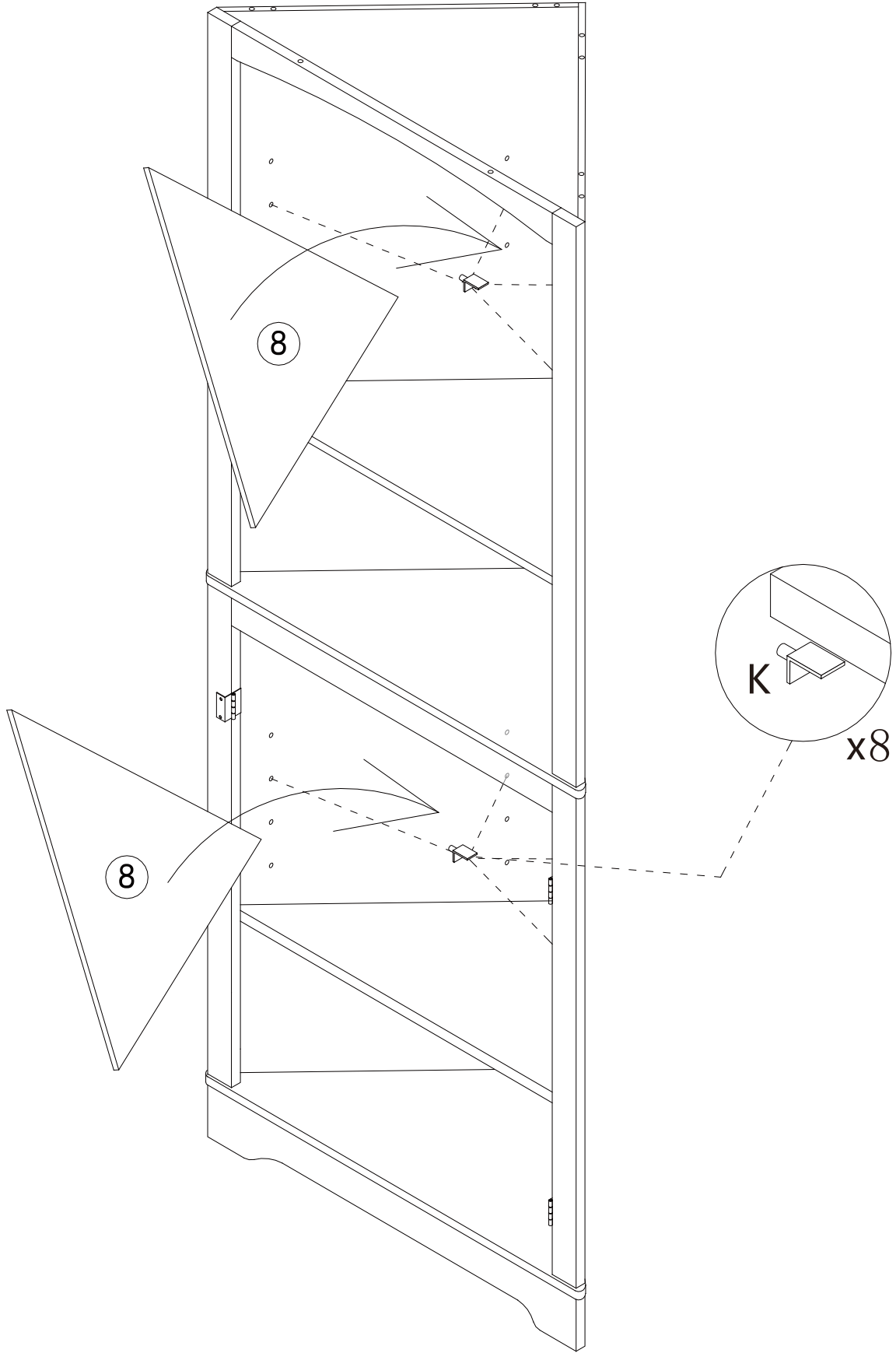


12

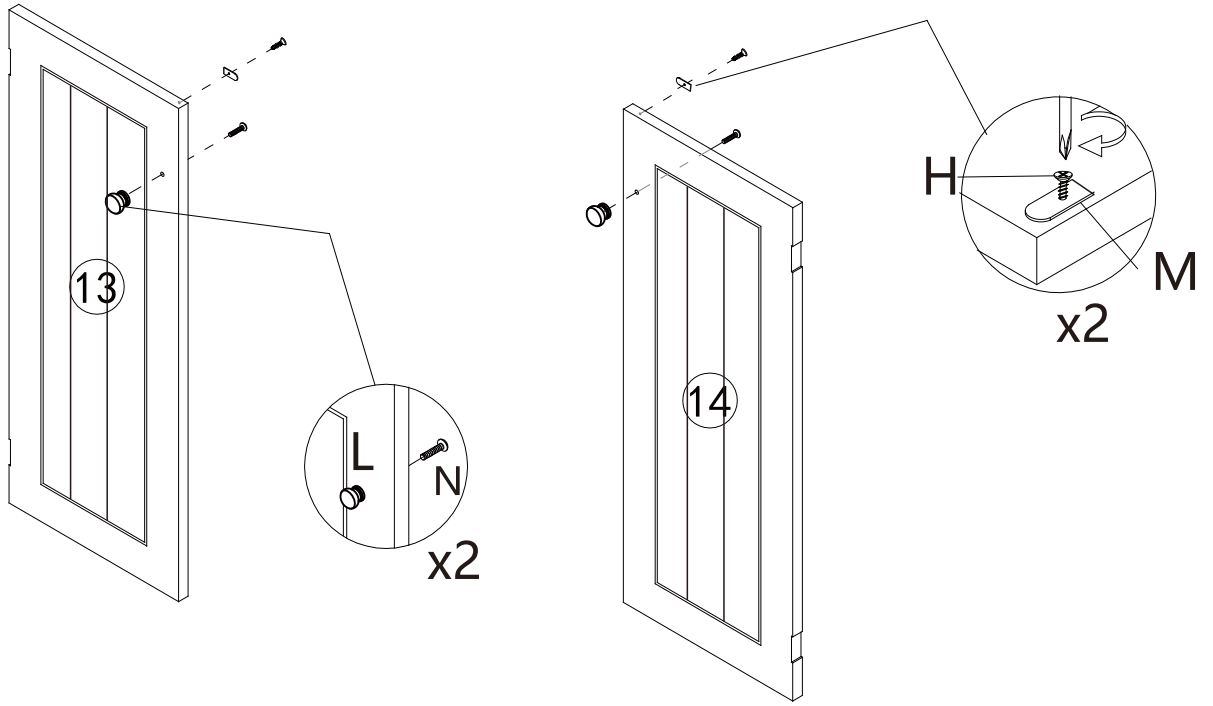


13

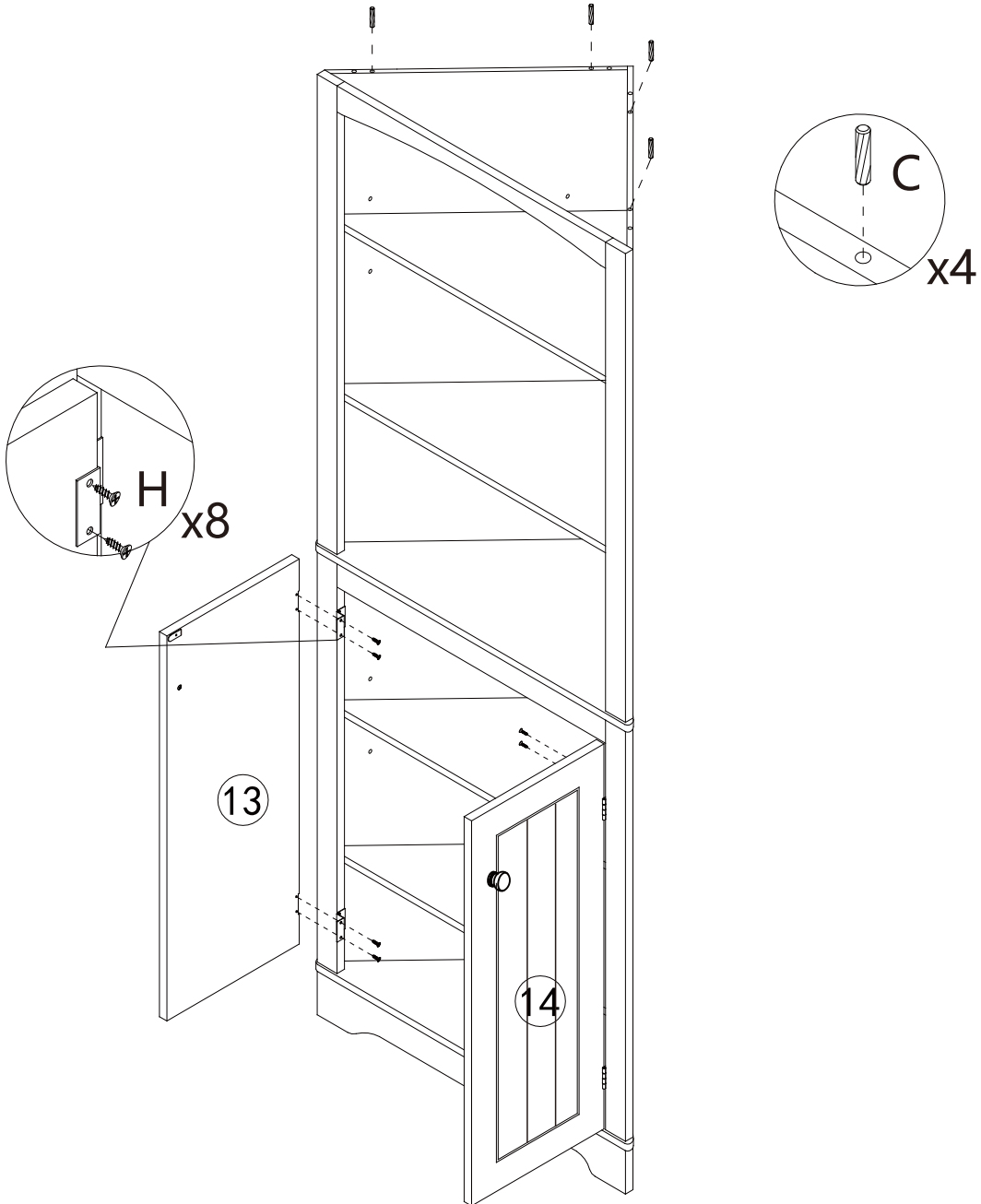




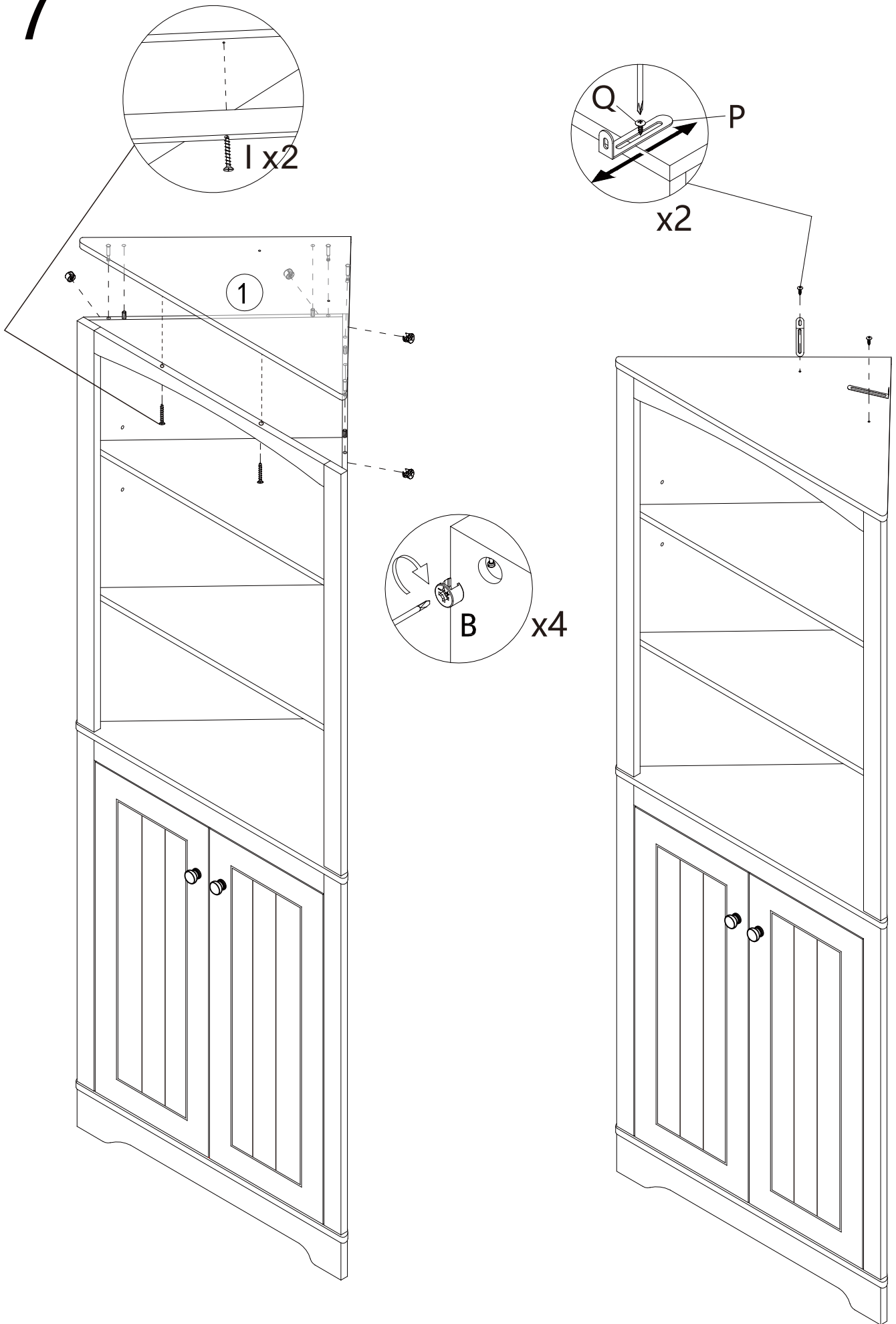
15

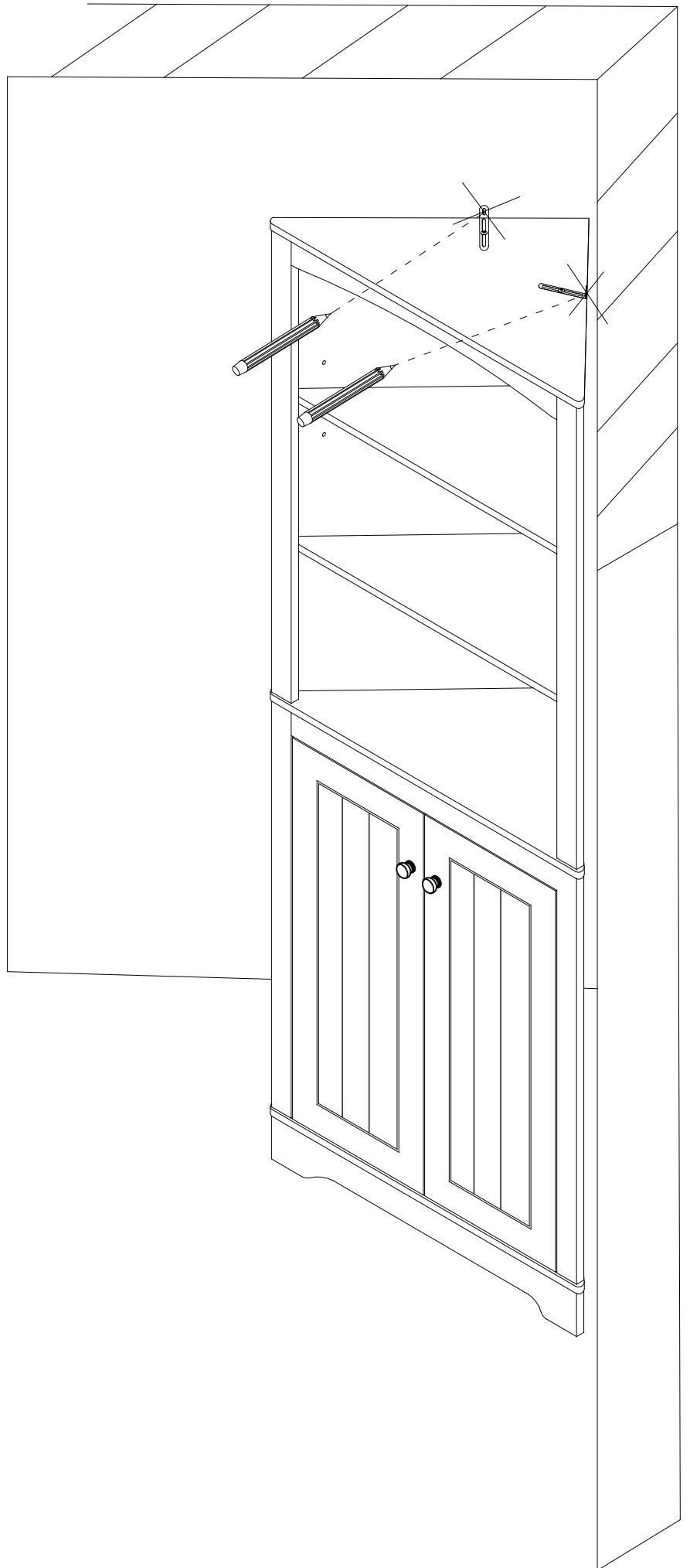


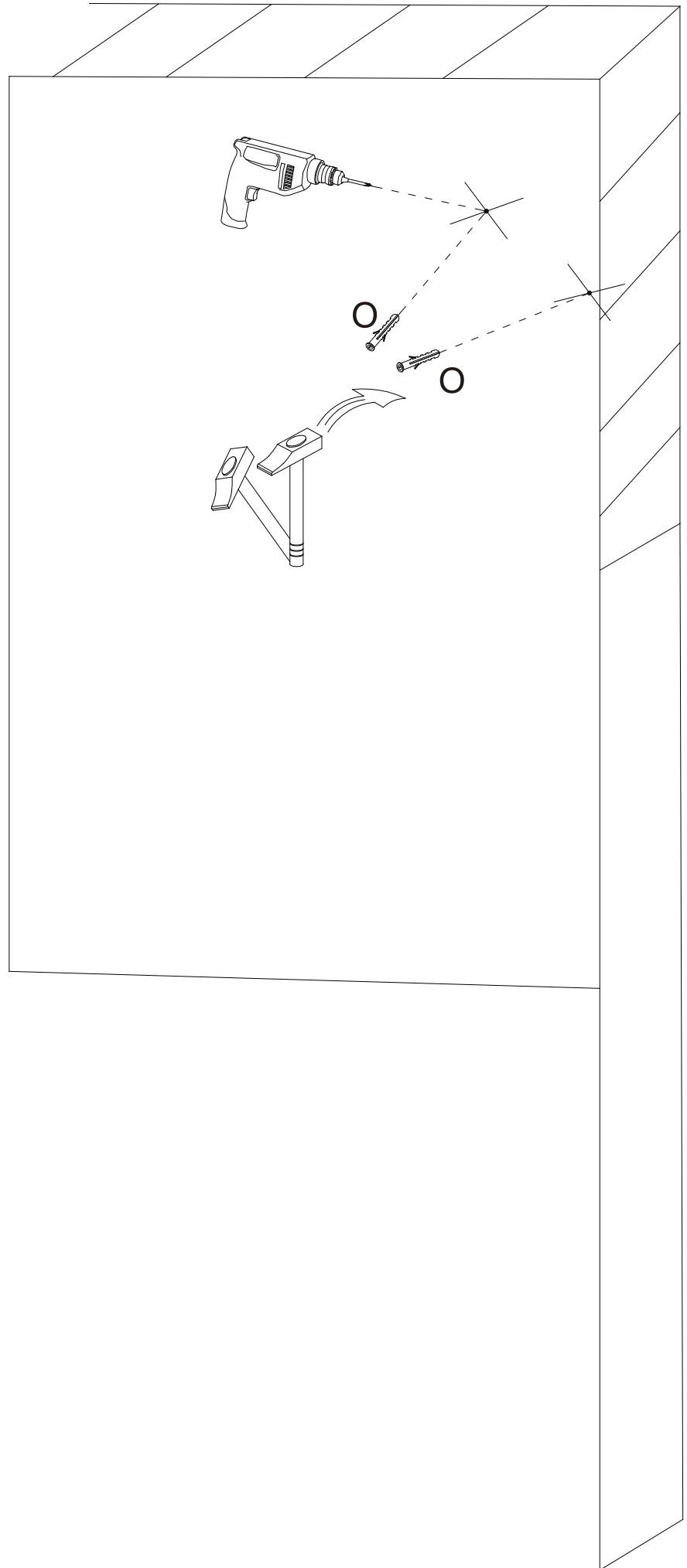
16



17







20

