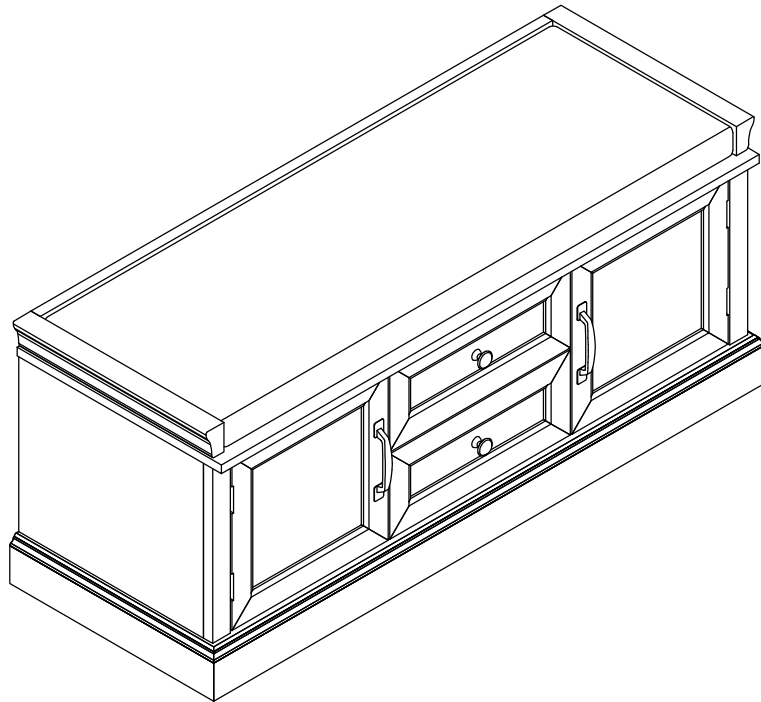


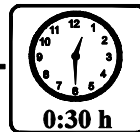
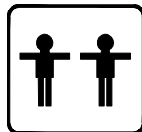
ASSEMBLY INSTRUCTIONS

STORAGE BENCH

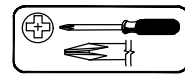


Thank you for purchasing this quality product. Be sure to check all packing material carefully for small parts which may have come loose inside the carton during shipment. Separate, identify and count all parts and hardware. Compare with the parts list to be sure all parts are present.
"DO NOT TIGHTEN SCREWS UNTIL COMPLETELY ASSEMBLED"

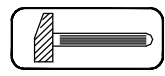
*** Use of power tool to assemble this product will invalidate any claim and damage this product making unsafe !!!**
*** Please assemble on a clean soft surface to avoid damage.**



Tools Required



(Not included)

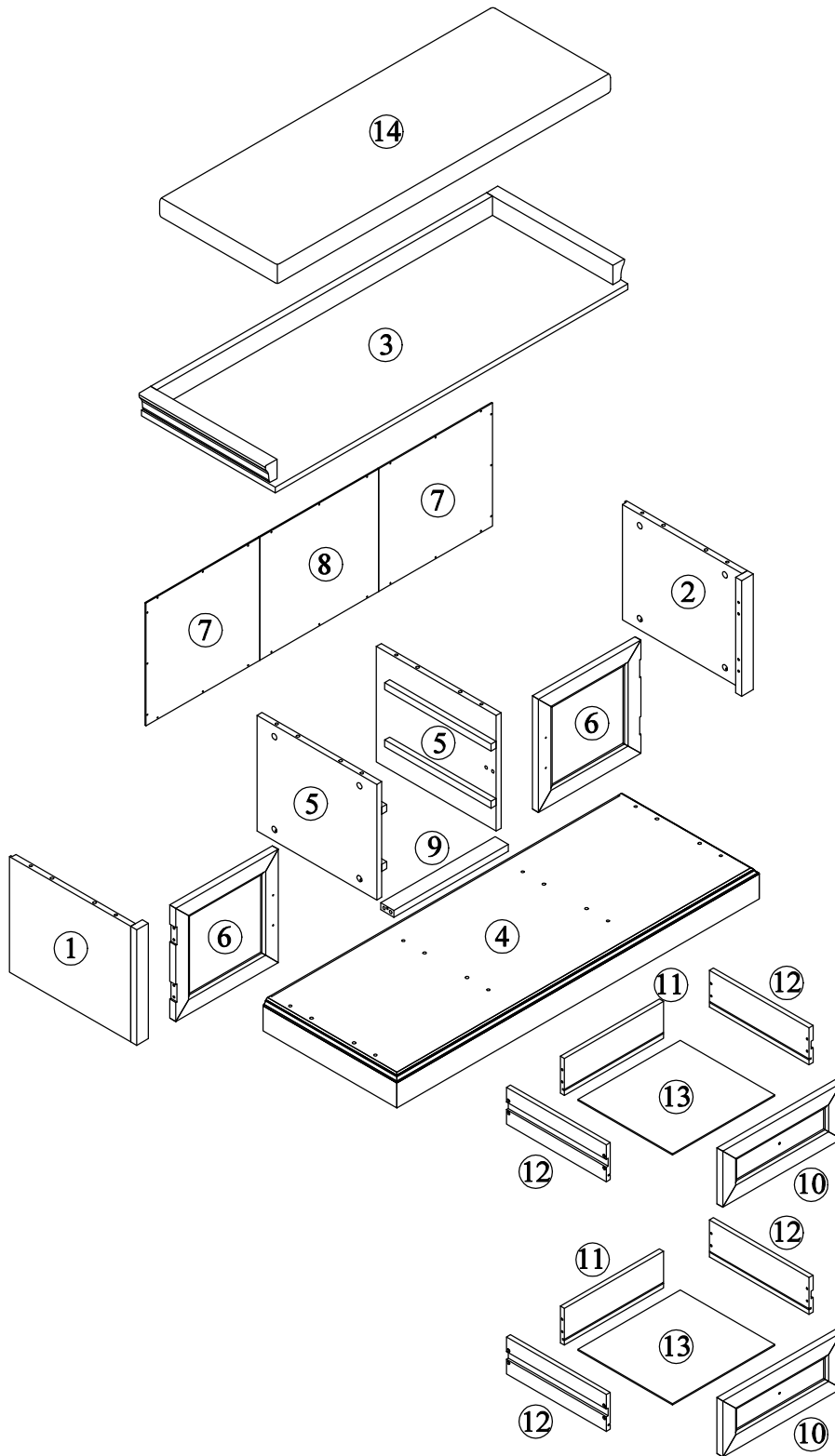


(Not included)

IMPORTANT:

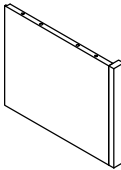
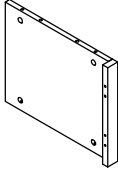
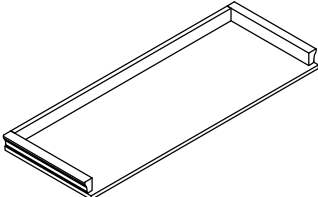
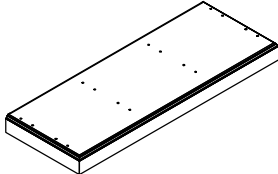
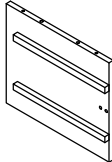
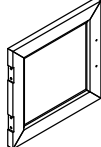
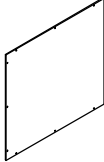
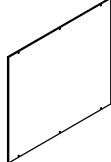
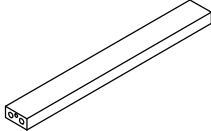
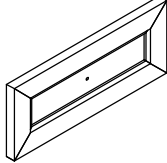
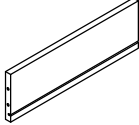
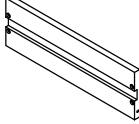
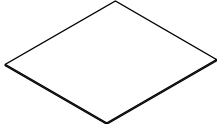
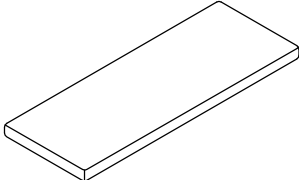
PLEASE READ INSTRUCTION BEFORE STARTING THE ASSEMBLY

Detail View - STORAGE BENCH

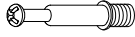

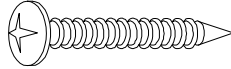


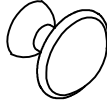


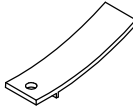

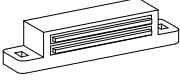

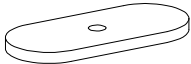
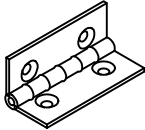
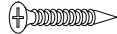




Identifying the Hardware-Identify the hardware using the illustrations below.

Part List—WF288172

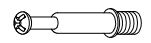
<p>1</p>  <p>Left side - 1pc</p>	<p>2</p>  <p>Right side - 1pc</p>
<p>3</p>  <p>Top frames - 1pc</p>	<p>4</p>  <p>Bottom frames - 1pc</p>
<p>5</p>  <p>Middle vertical panel - 2pcs</p>	<p>6</p>  <p>Cabinet door - 2pcs</p>
<p>7</p>  <p>Back panel - 2pcs</p>	<p>8</p>  <p>Back panel - 1pc</p>
<p>9</p>  <p>Mid bar - 1pc</p>	<p>10</p>  <p>Drawer face panel - 2pcs</p>
<p>11</p>  <p>Drawer back side panel - 2pcs</p>	<p>12</p>  <p>Drawer side panel - 4pcs</p>
<p>13</p>  <p>Drawer bottom panel - 2pcs</p>	<p>14</p>  <p>Cushions - 1pc</p>

Hardware List—WF288172

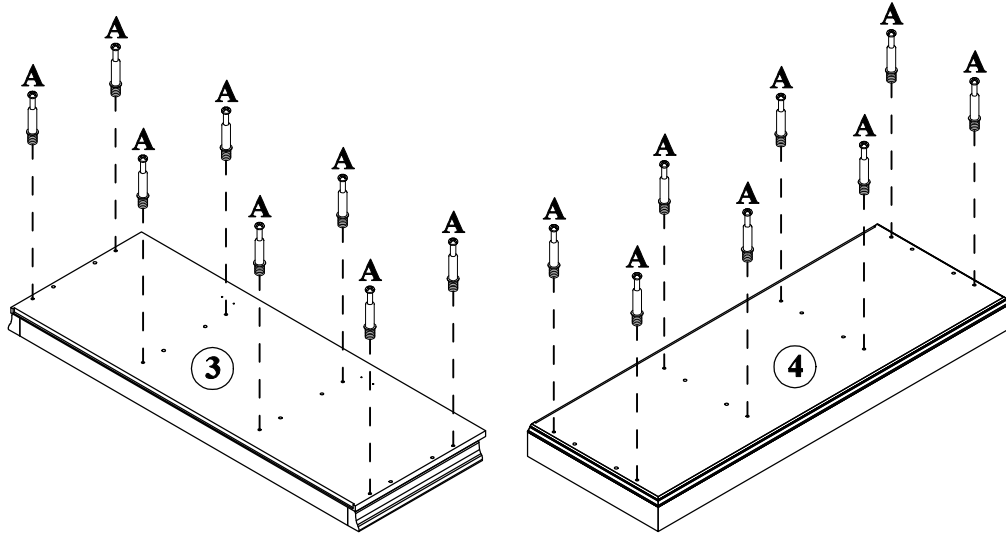
<p>A</p>  <p>ø6x35mm</p>	<p>B</p>  <p>ø14x12mm</p>	<p>C</p>  <p>ø8xø4x25mm</p>
<p>Three in one bolts(16pcs) Three in one lock(16pcs) Round head screw(18pcs)</p>		
<p>D</p> 	<p>E</p>  <p>ø5/32"x19mm</p>	<p>F</p> 
<p>Handle(2pcs) Handle screw(4pcs) Handle(2pcs)</p>		
<p>G</p>  <p>ø5/32"x25mm</p>	<p>H</p>  <p>ø7xø3x12mm</p>	<p>I</p> 
<p>Handle screw(2pcs) Round head screw(26pcs) Drawer stopper(2pcs)</p>		
<p>J</p>  <p>ø7xø3.5x15mm</p>	<p>K</p>  <p>45x16x14mm</p>	<p>L</p>  <p>ø6xø3x12mm</p>
<p>Flat head screw(2pcs) Door magnet(2pcs) Round head screw(4pcs)</p>		
<p>M</p>  <p>35x12x1mm</p>	<p>N</p> 	<p>O</p>  <p>ø7xø3.5x12mm</p>
<p>Magnetic iron sheet(2pcs) Hinges(4pcs) Flat head screw(18pcs)</p>		
<p>P</p>  <p>ø8x30mm</p>	<p>Q</p>  <p>4mm</p>	
<p>Wood dowel(20pcs) Allen key(1pc)</p>		

STEP: 1

A



16PCS



STEP: 2

C

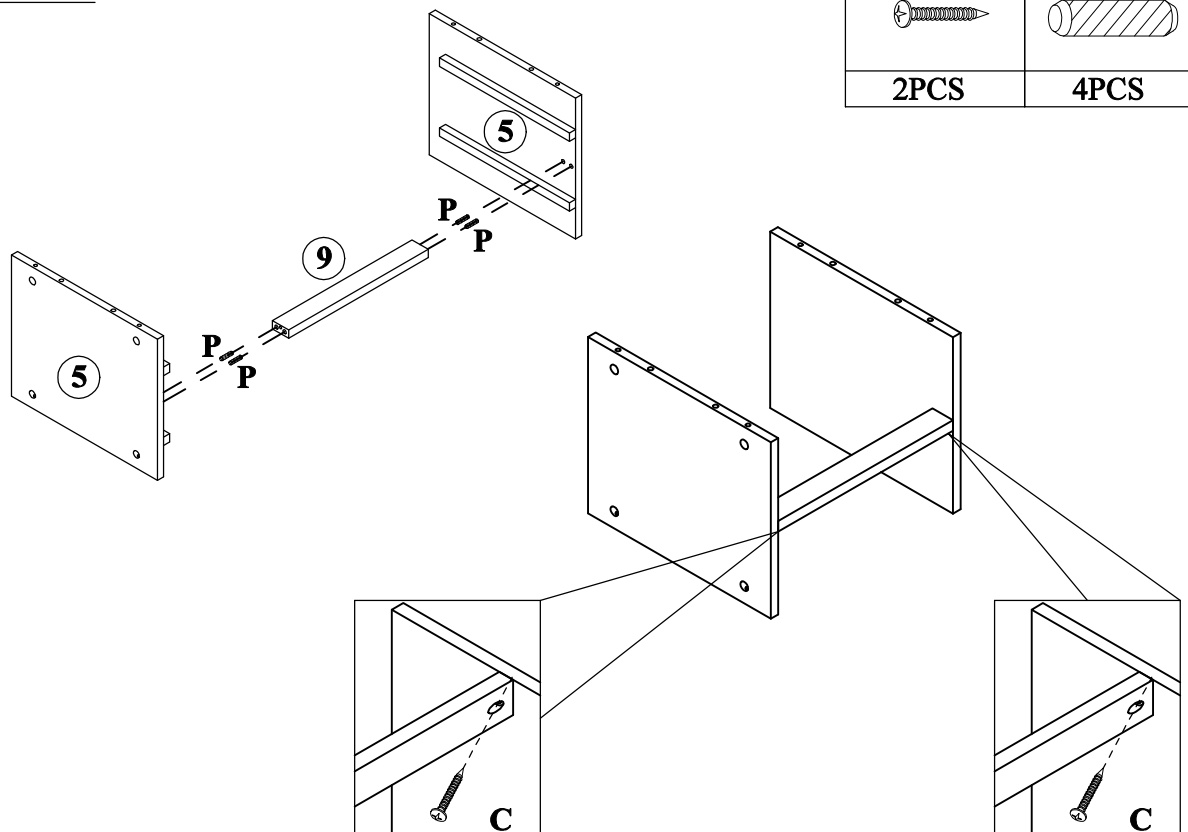


2PCS


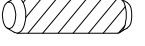
P

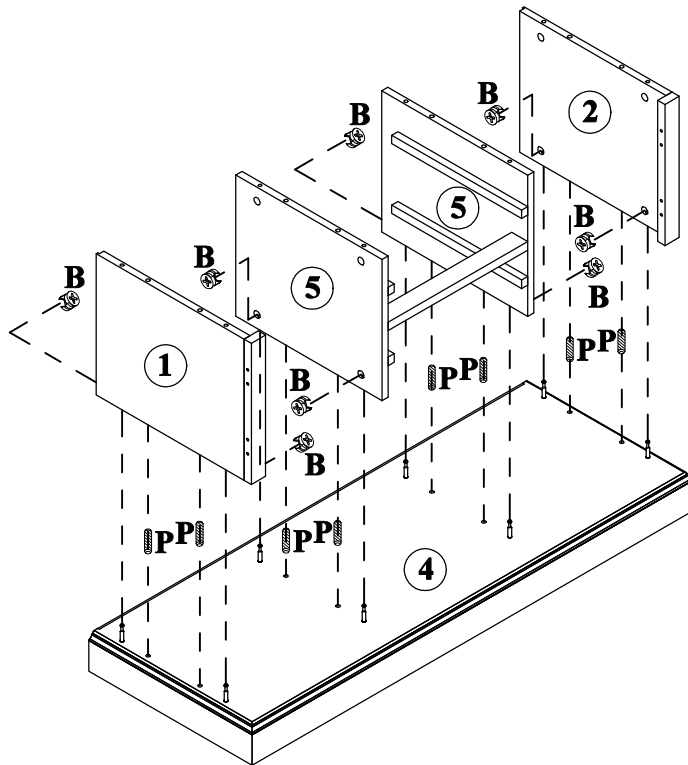


4PCS


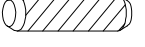


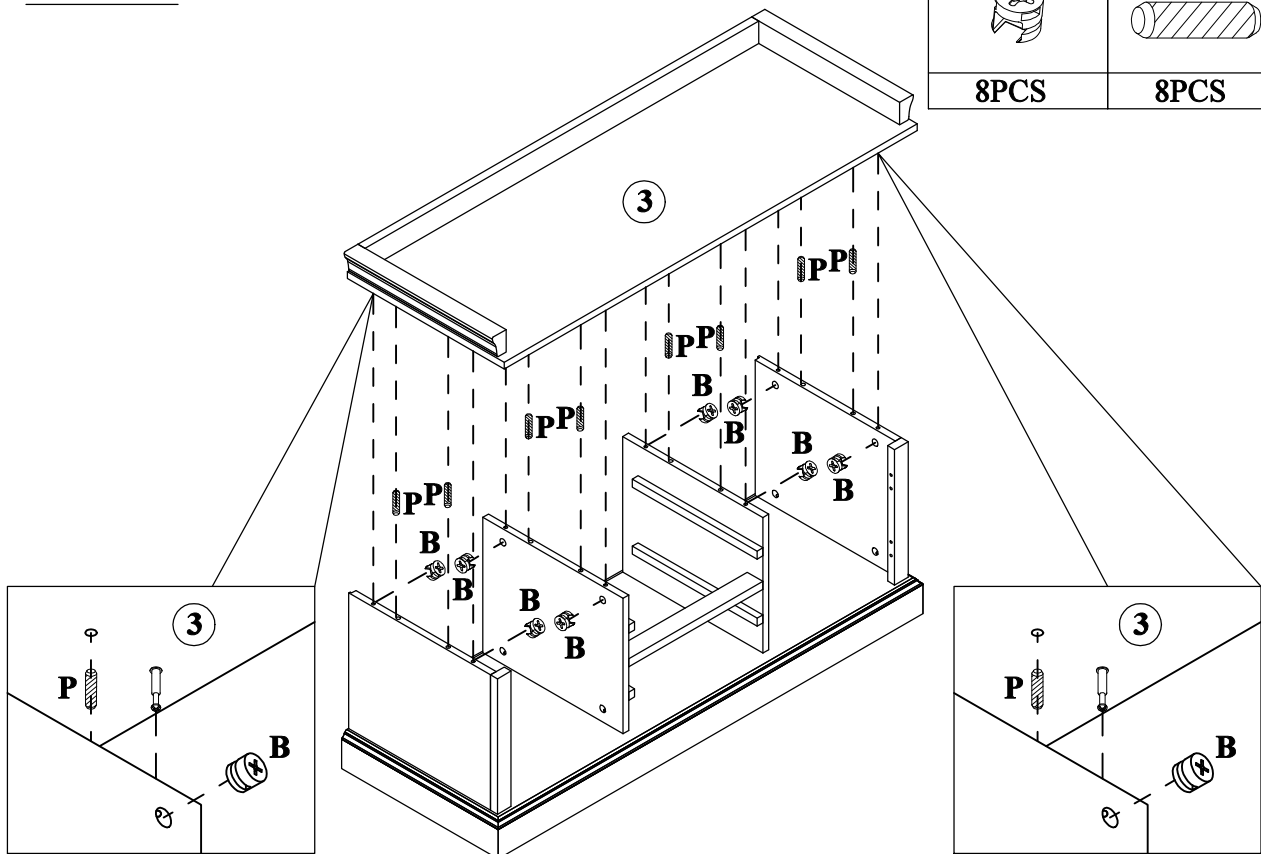
STEP: 3

B	P
	
8PCS	8PCS



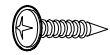
STEP: 4

B	P
	
8PCS	8PCS

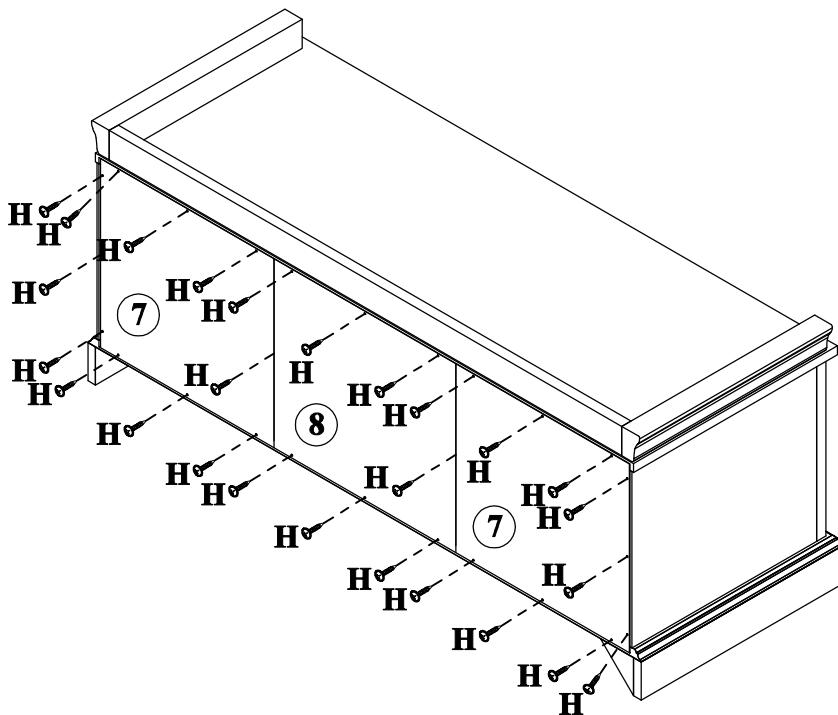


STEP: 5

H



26PCS



STEP: 6

N

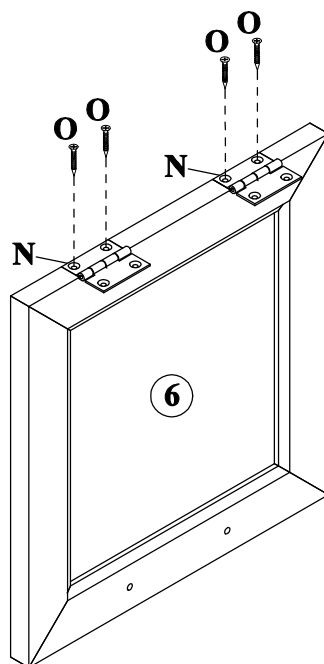


4PCS

O



8PCS



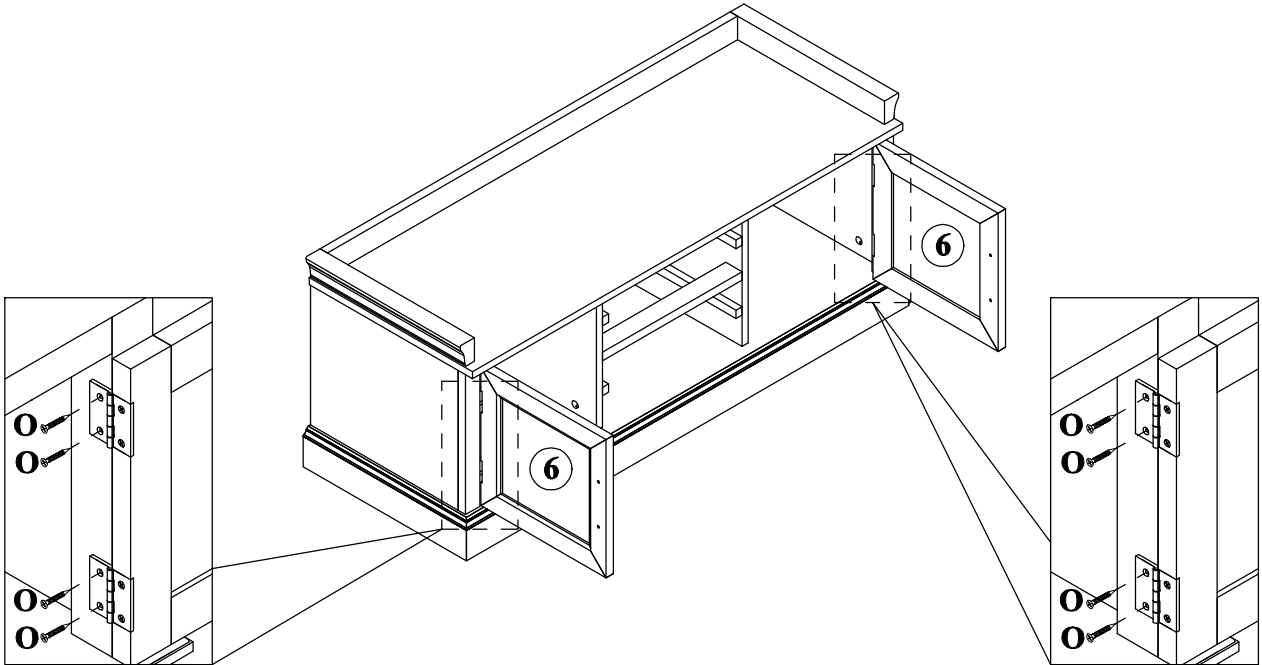
X 2

STEP: 7

O

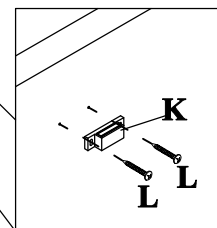
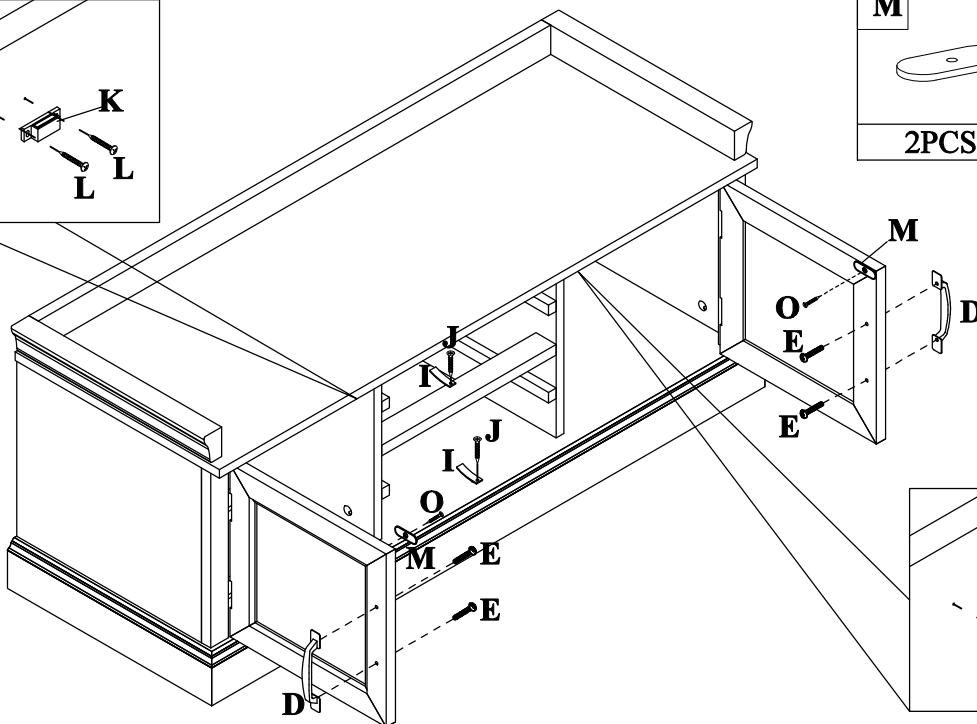
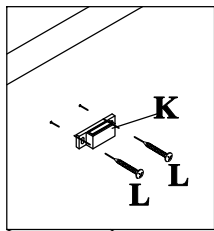


8PCS



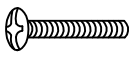


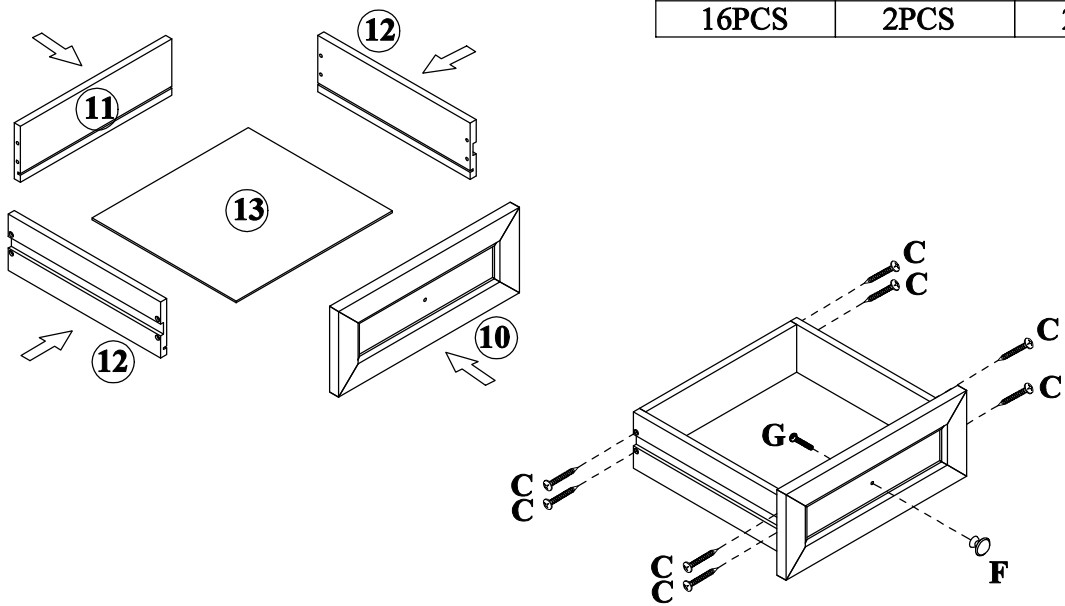
STEP: 8

D	E	I	J	K	L
2PCS	4PCS	2PCS	2PCS	2PCS	4PCS
				M	O
				2PCS	2PCS



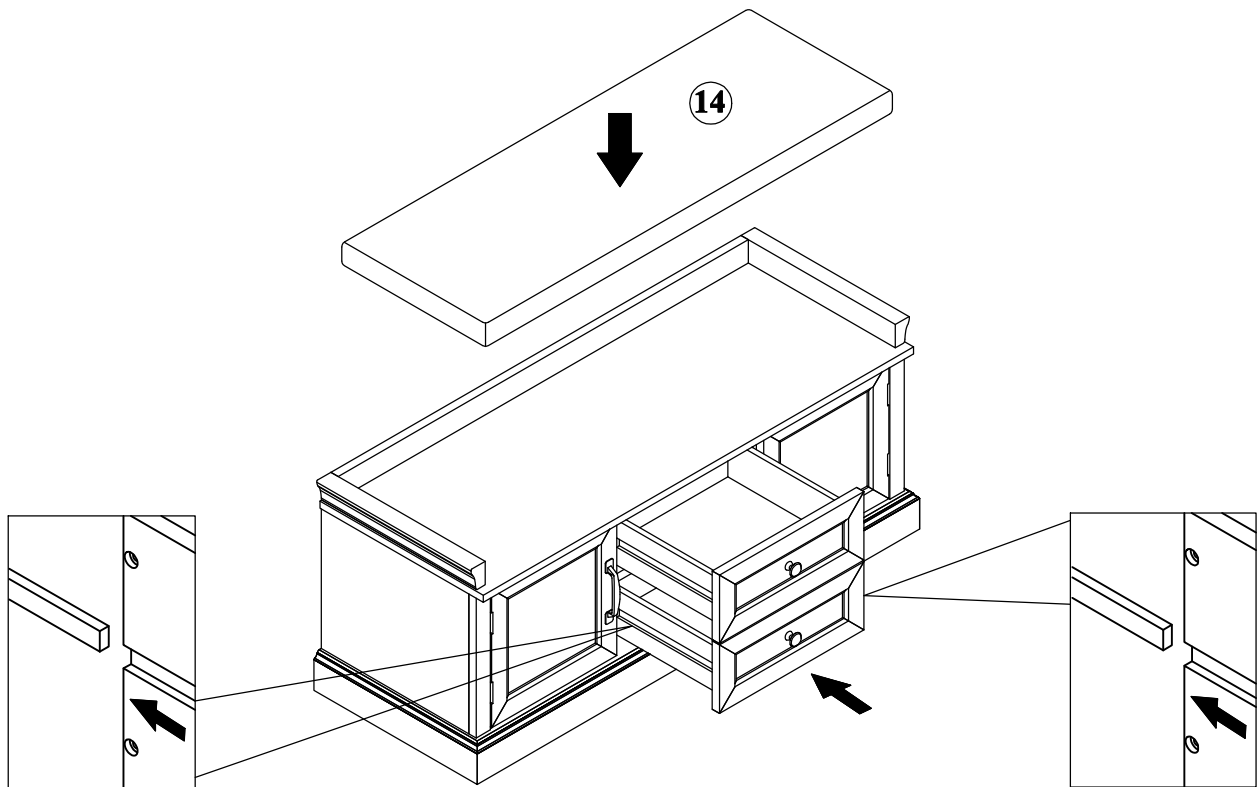
STEP: 9

C	F	G
		
16PCS	2PCS	2PCS



X 2

STEP: 10



STEP: 13

