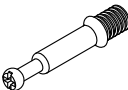

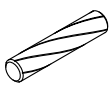
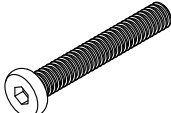



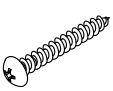
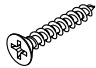
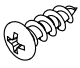
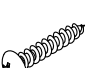





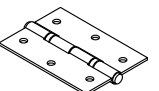
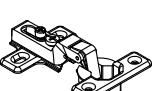
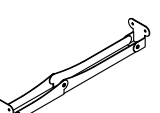
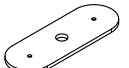
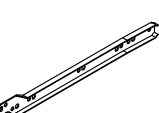
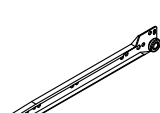
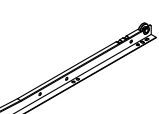
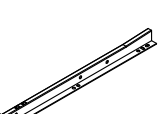

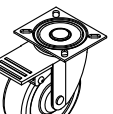


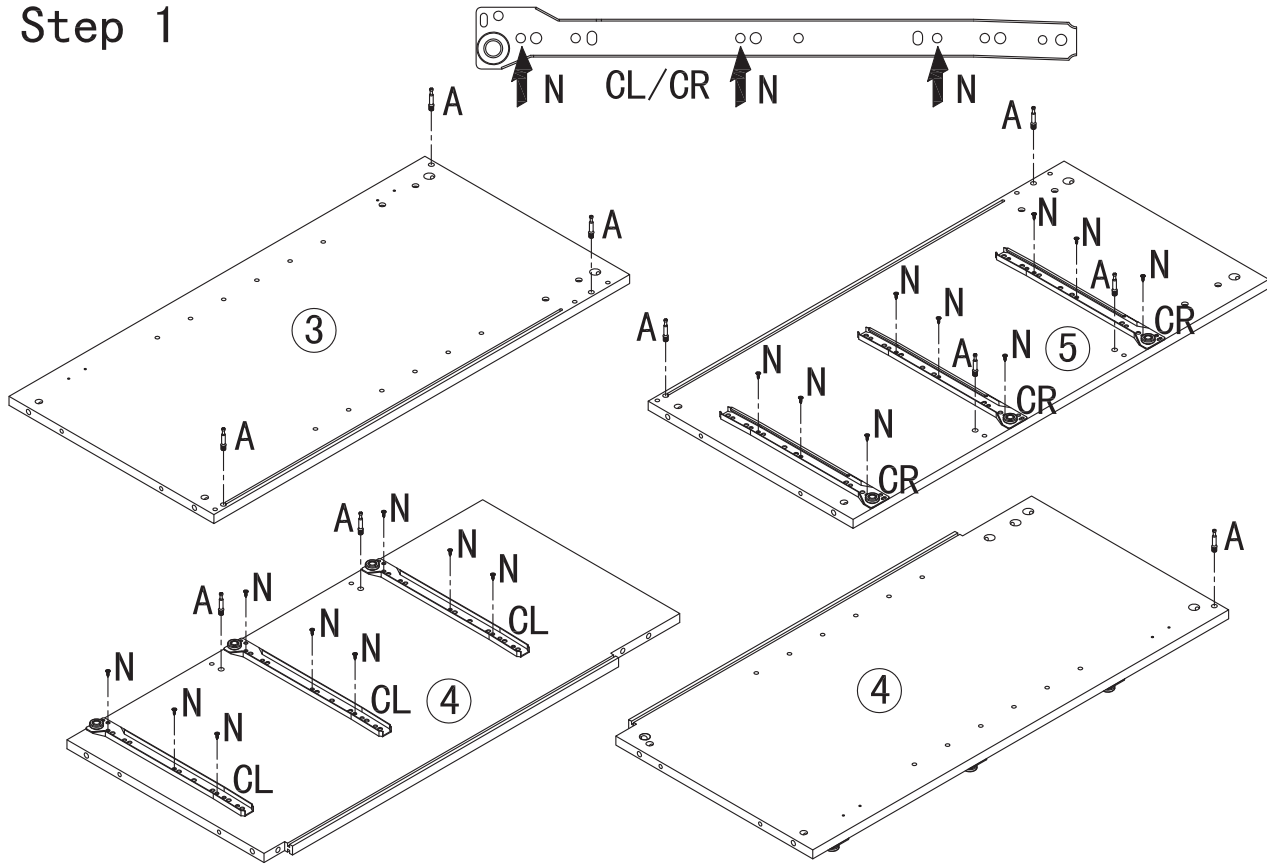
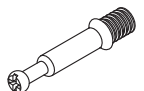

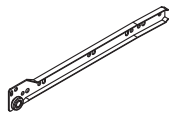
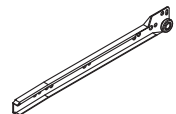


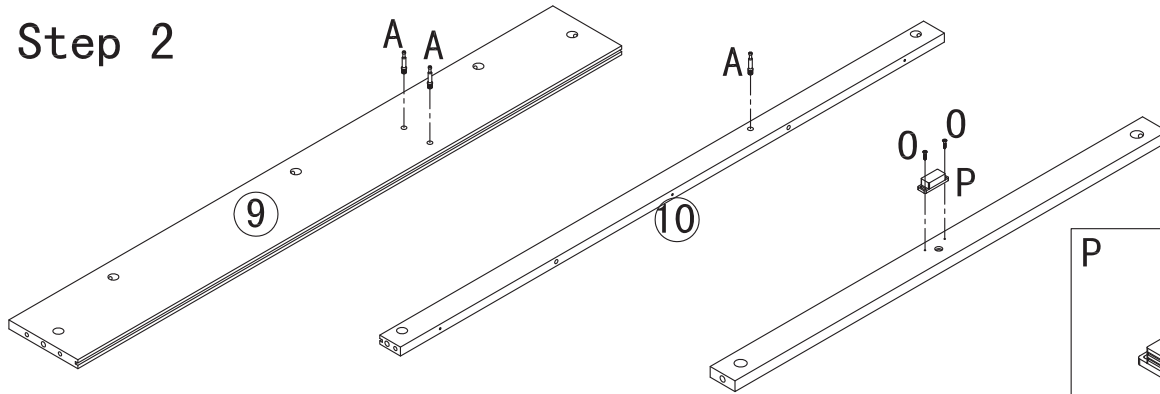
			A 38pcs	B 38pcs	C 30pcs	D 6pcs
						
E 6pcs	F 5pcs	G 5pcs	H 8pcs	I 15pcs	J 20pcs	
						
K 1pc	L 4pcs	M 20pcs	N 58pcs	O 18pcs	P 2pcs	
						
Q 3pcs	R 4pcs	S 1pc	T 4pcs	CL 3pcs	CR 3pcs	
						
DL 3pcs	DR 3pcs	W 3pcs	U 2pcs	V 1pc	X 14pcs	
						

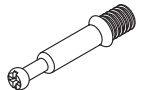
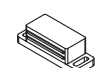
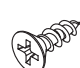
Step 1



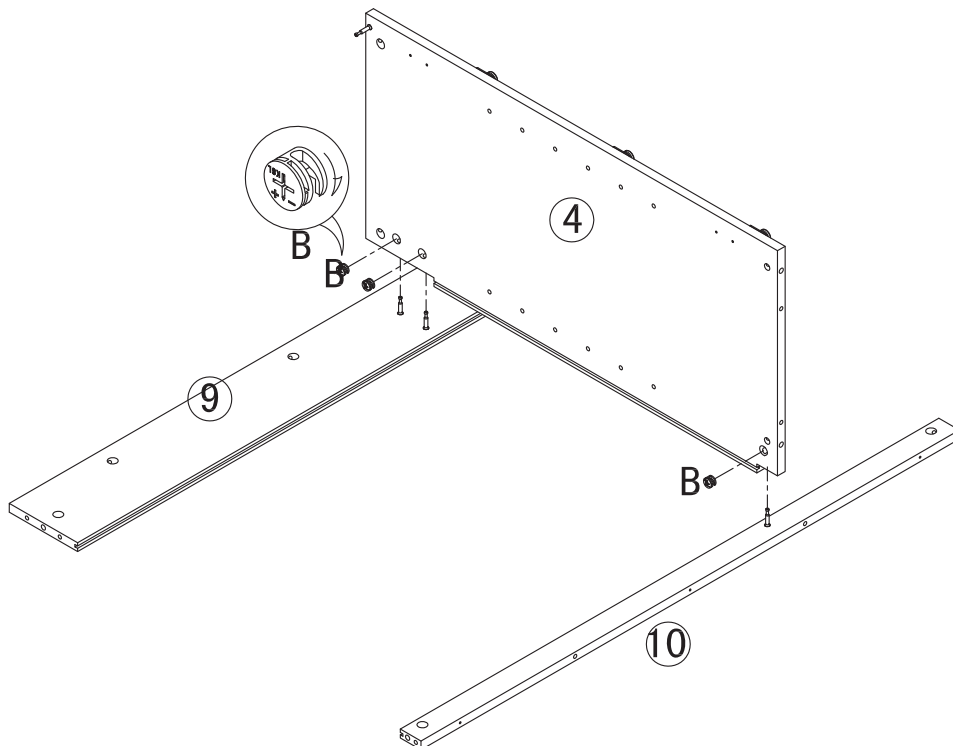
A	10pcs
	
N	18pcs
	
CL	3pcs
	
CR	3pcs
	

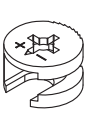
Step 2



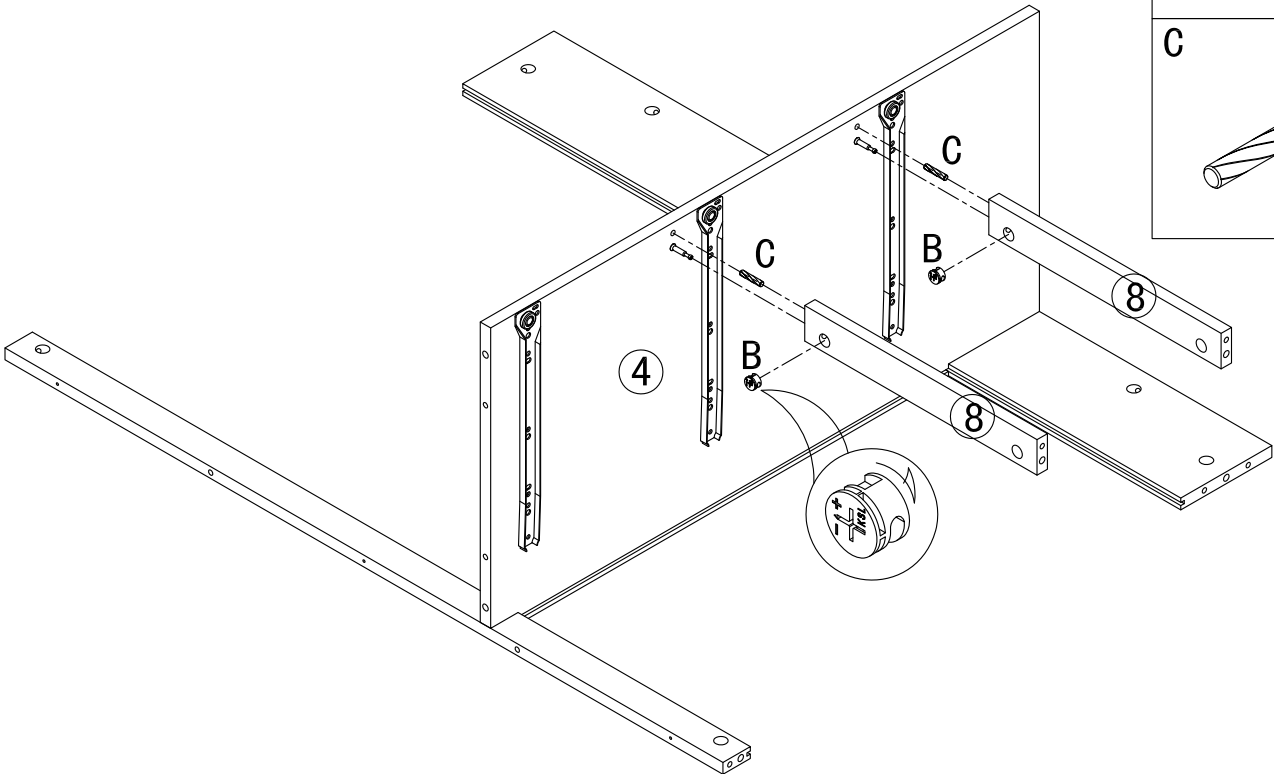
A	3pcs
	
P	1pc
	
O	2pcs
	

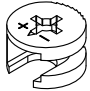
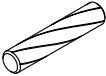
Step 3



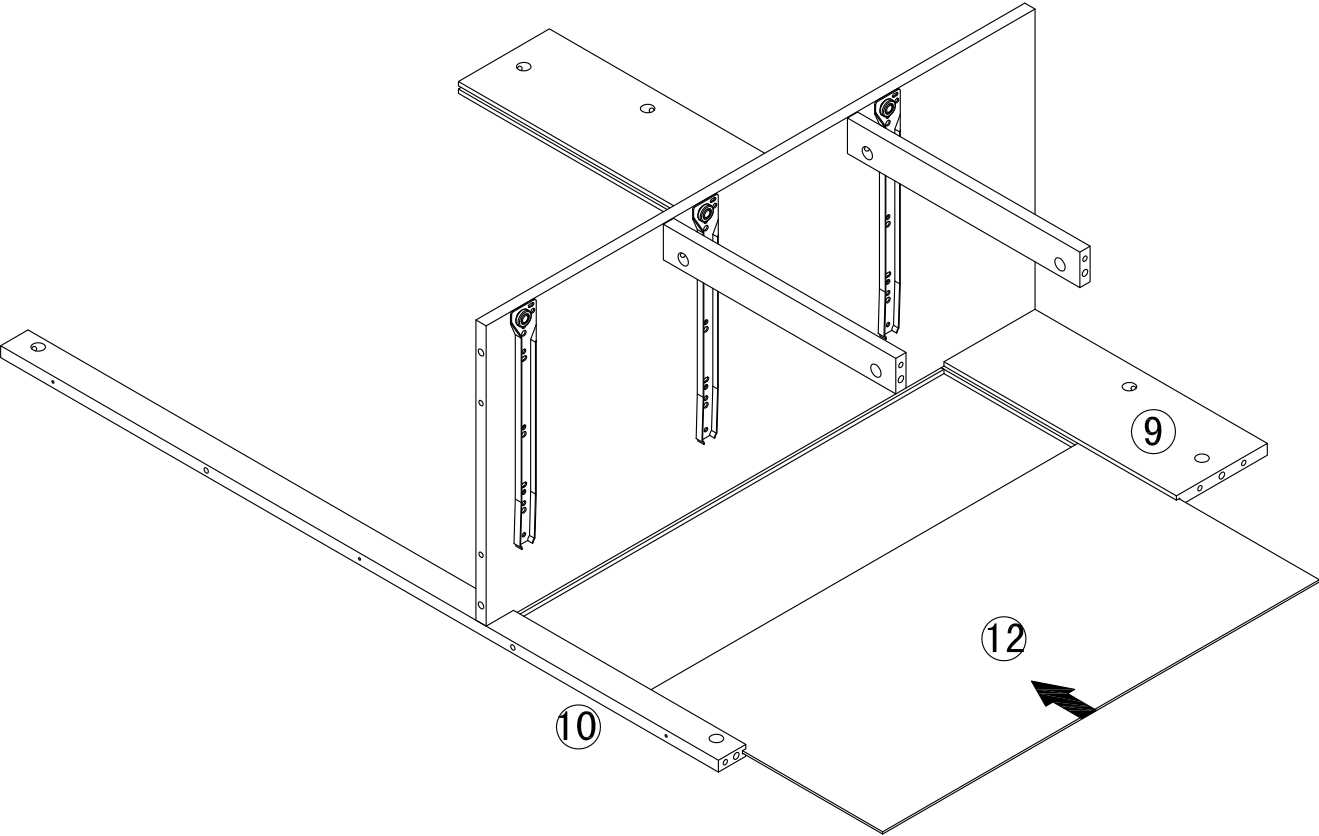
B	3pcs
	

Step 4

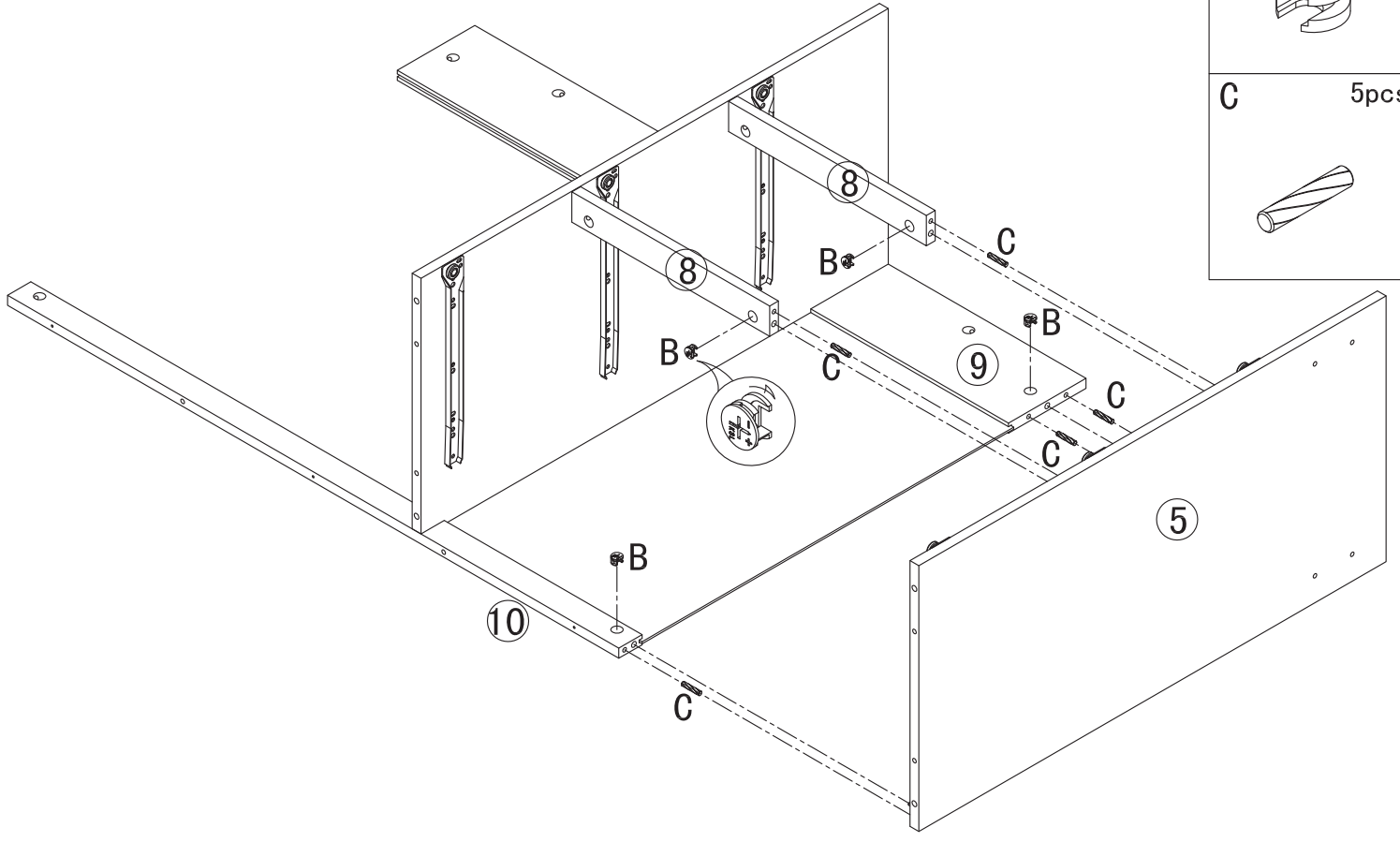


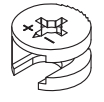
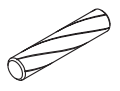
B	2pcs
	
C	2pcs
	

Step 5

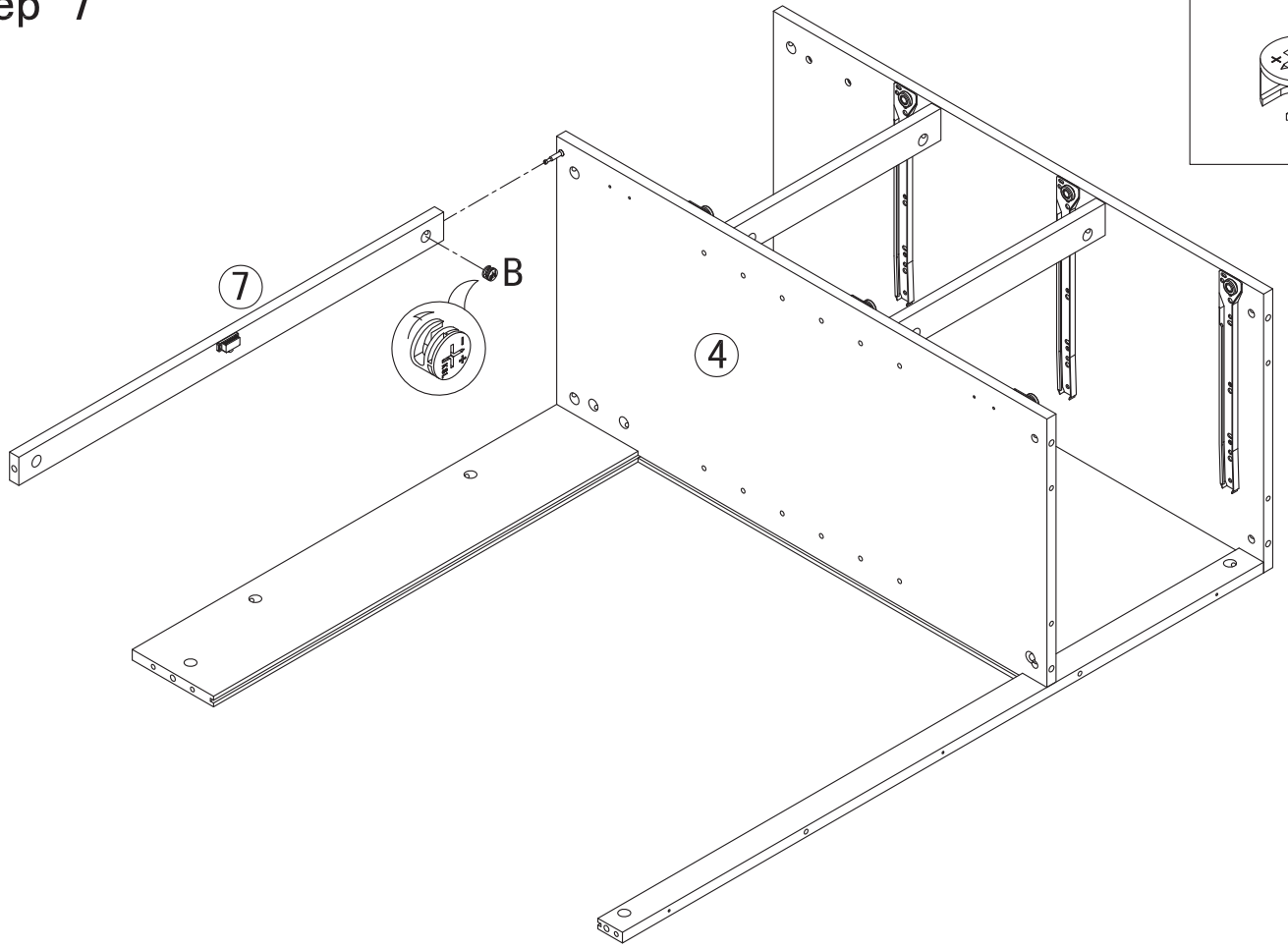


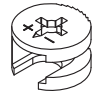
Step 6



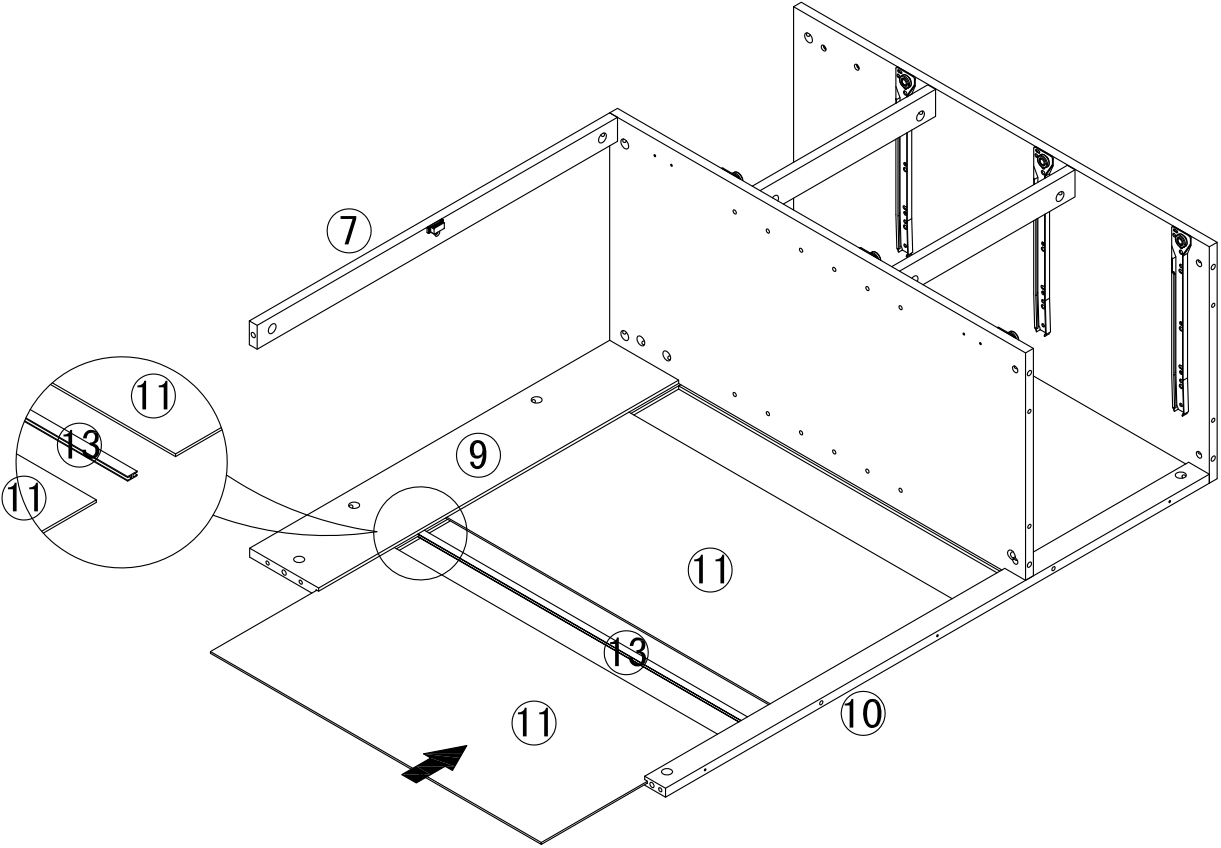
B	4pcs
	
C	5pcs
	

Step 7

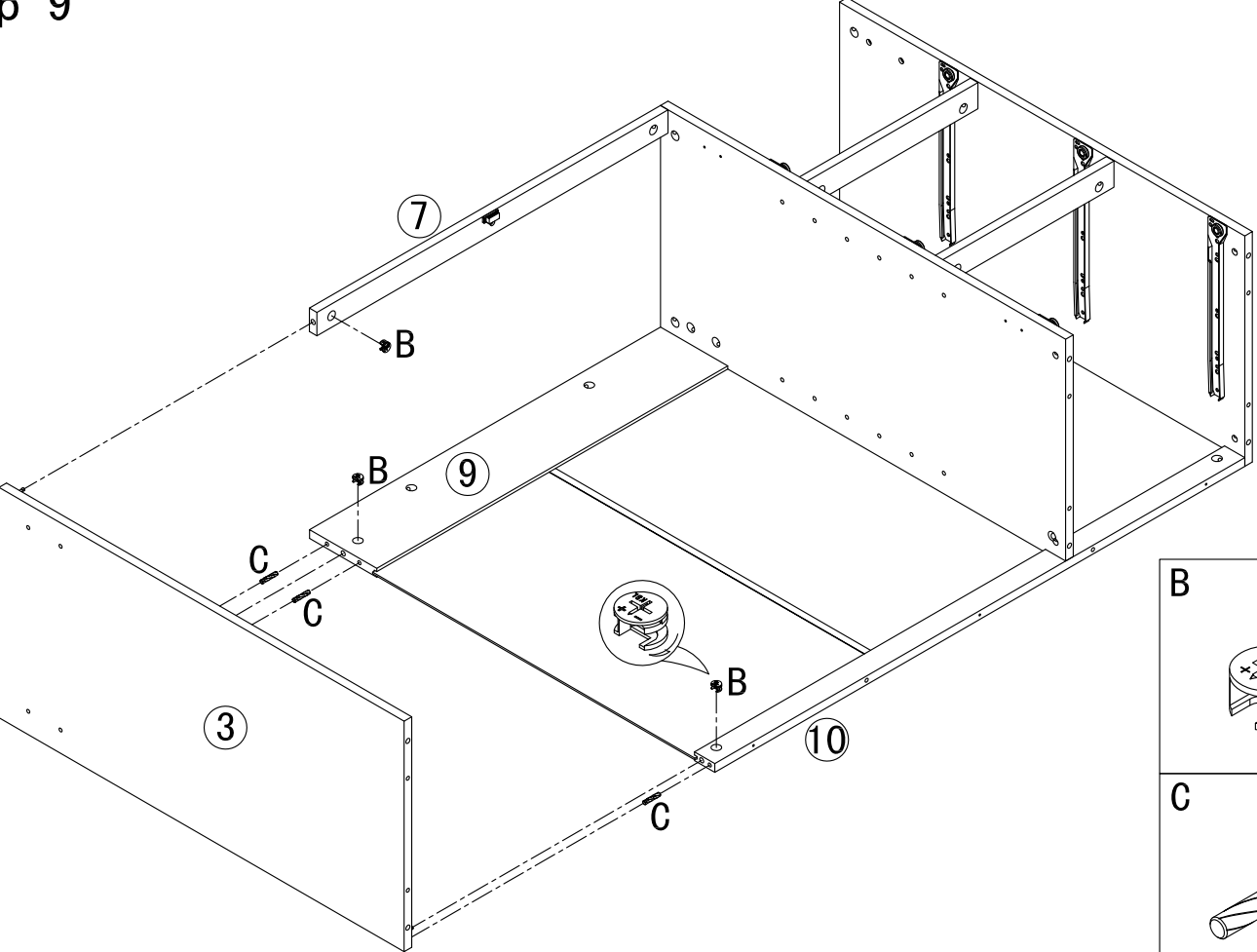


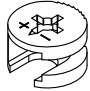
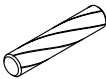
B	1pc
	

Step 8

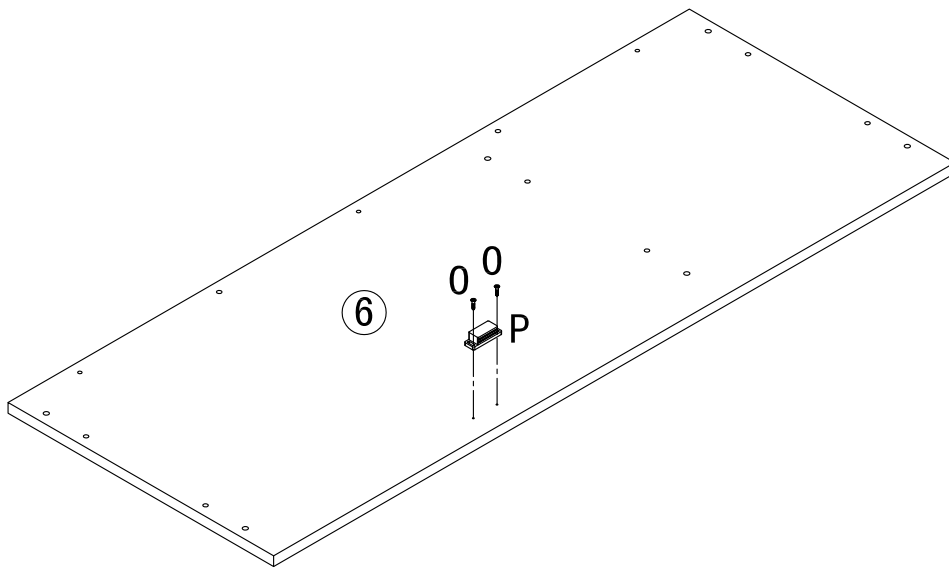


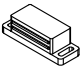
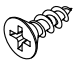
Step 9



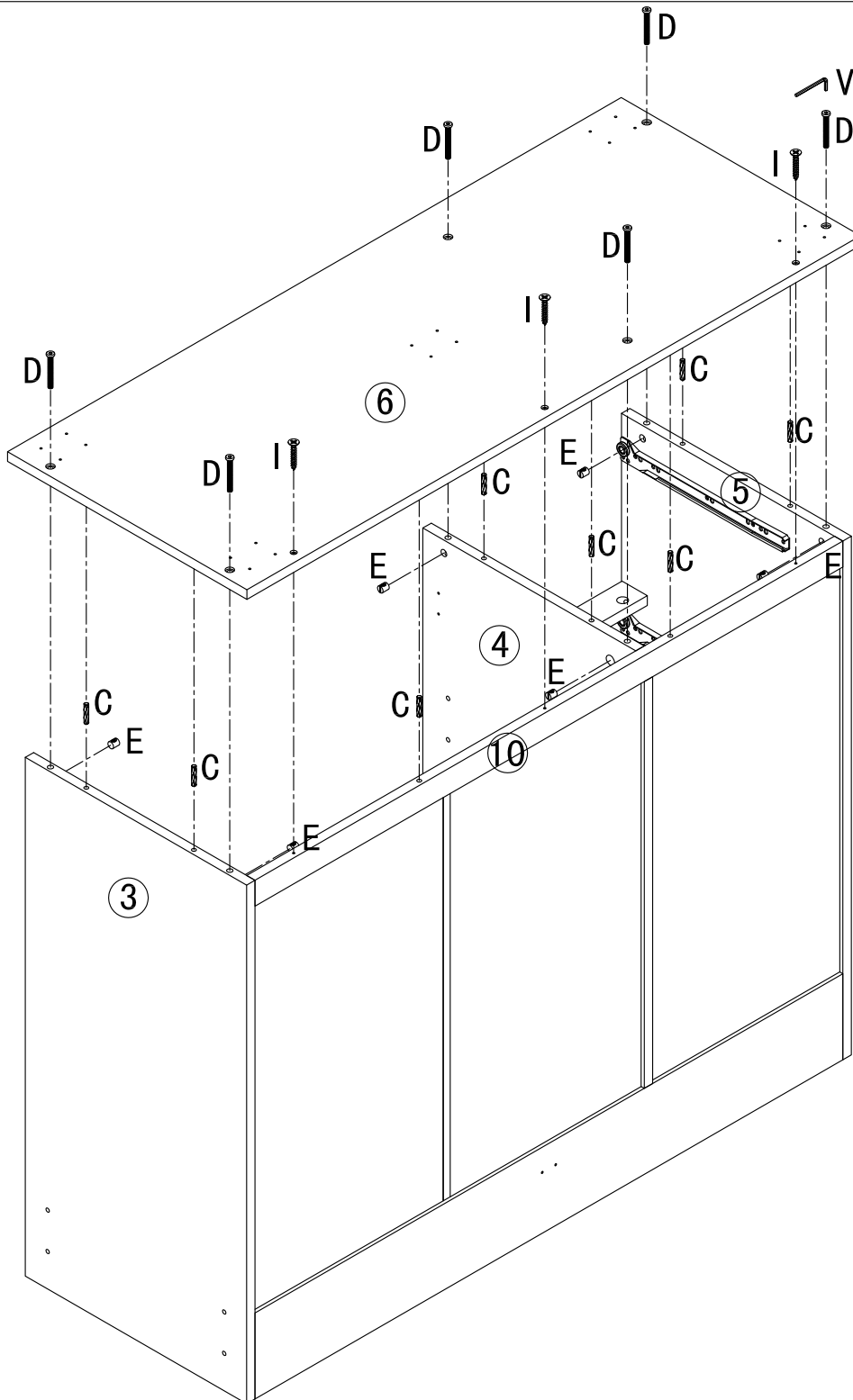
B	3pcs
	
C	3pcs
	


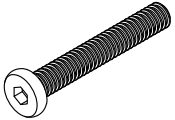

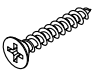

Step 10



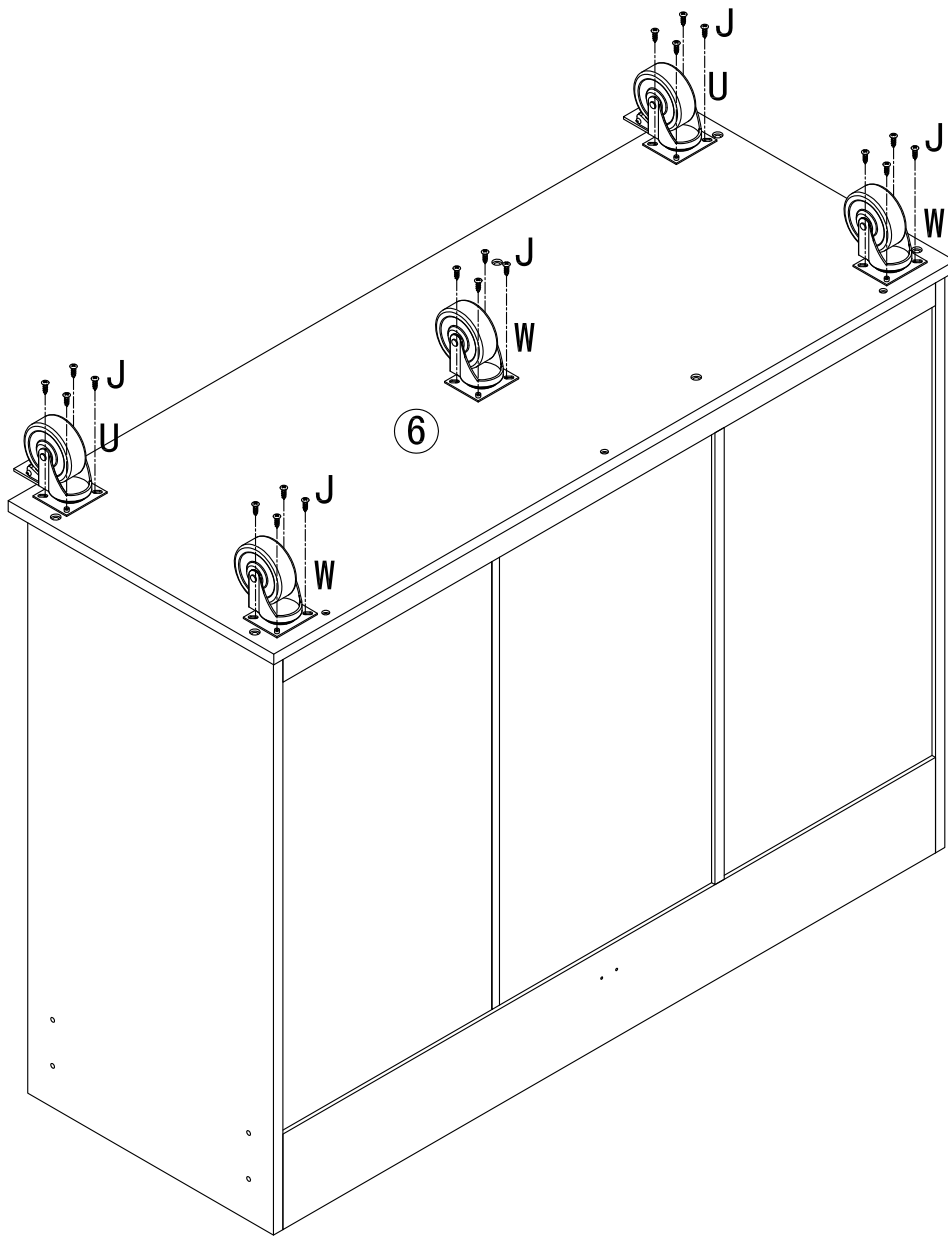
P	1pc
	
O	2pcs
	

Step 11



C	8pcs
	
D	6pcs
	
E	6pcs
	
I	3pcs
	
V	1pc
	

Step 12



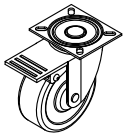
J 20pcs



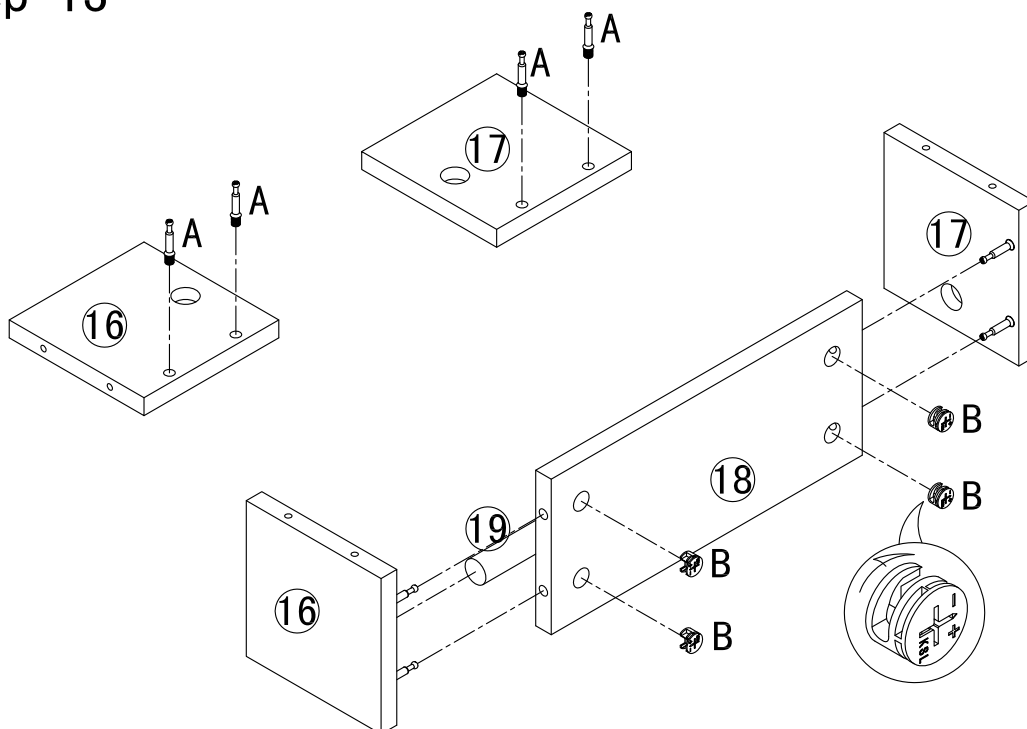
W 3pcs



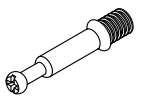
U 2pcs



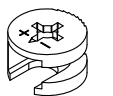
Step 13



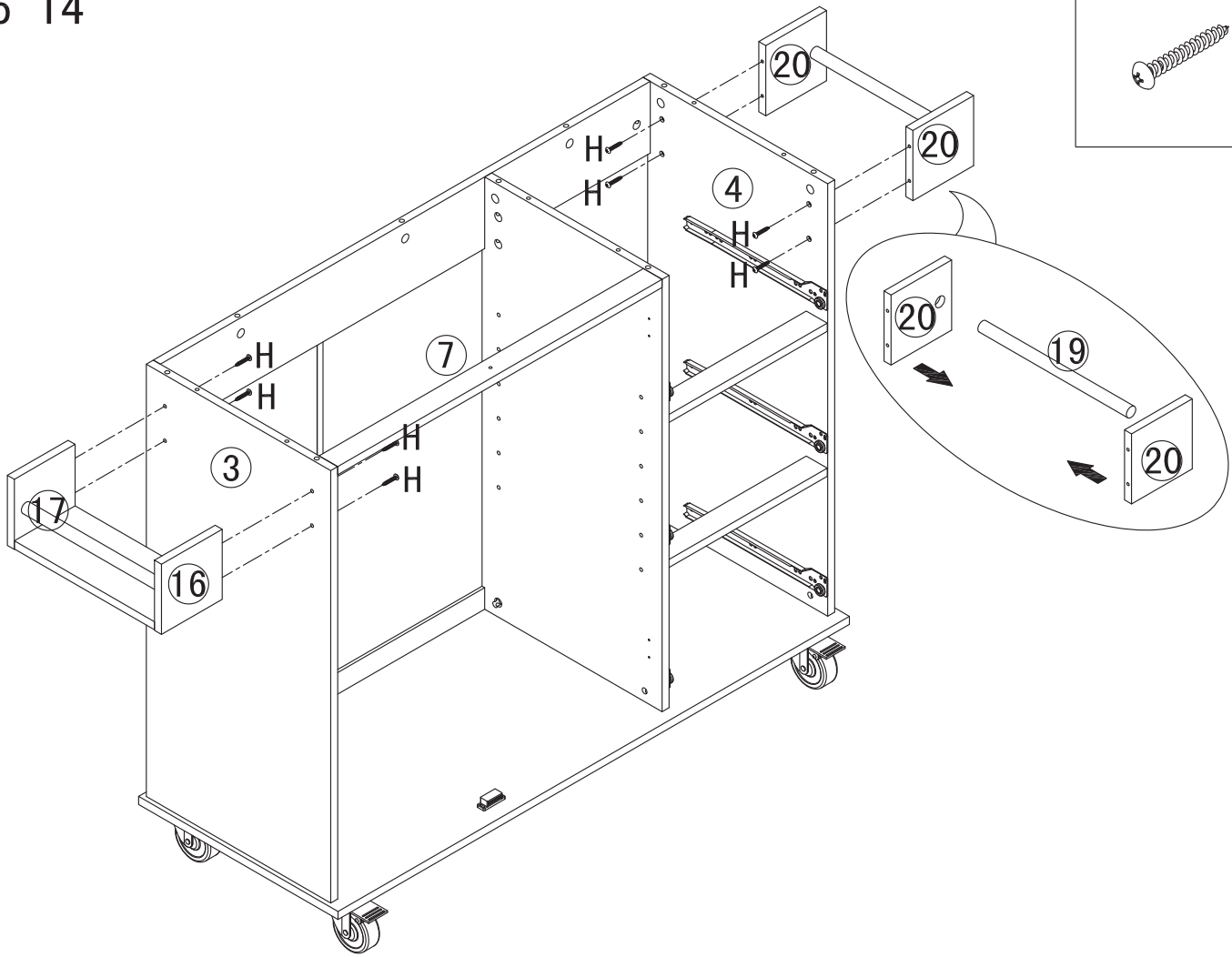
A 4pcs

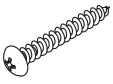


B 4pcs

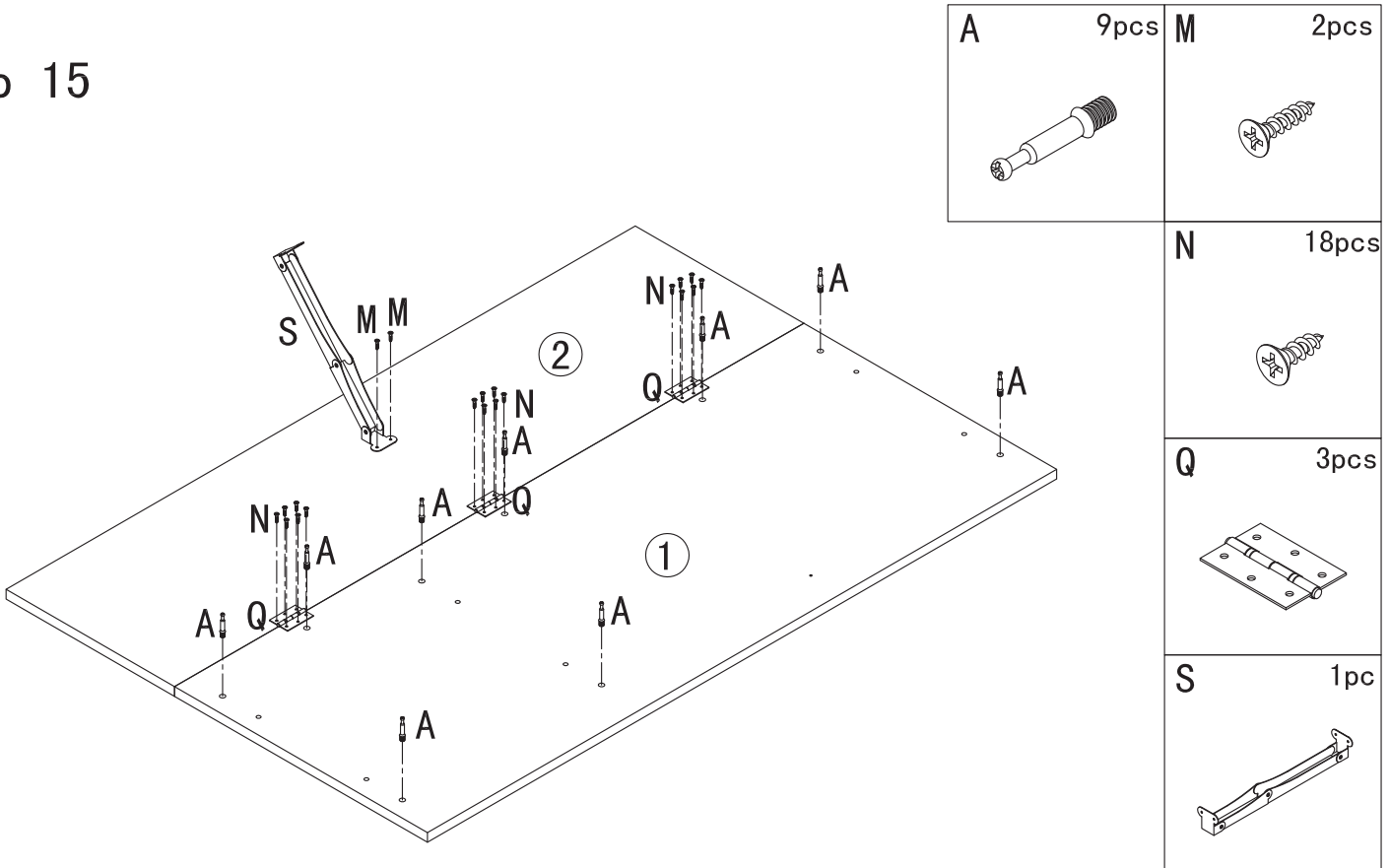


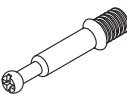
Step 14

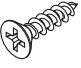



H	8pcs
	

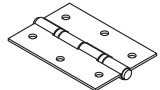
Step 15

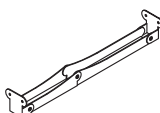


A	9pcs
	

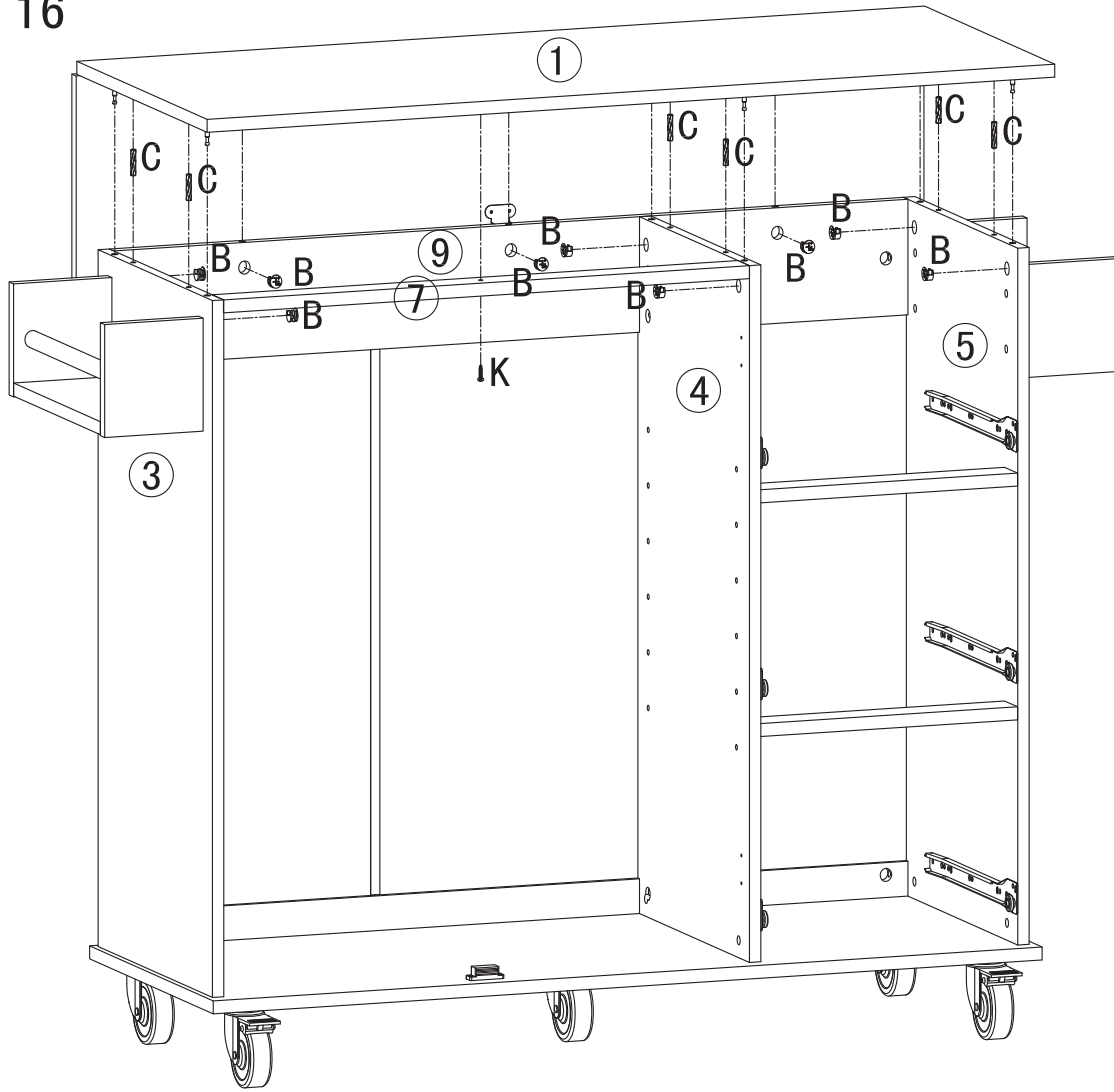
M	2pcs
	

N	18pcs
	

Q	3pcs
	

S	1pc
	

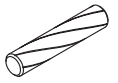
Step 16



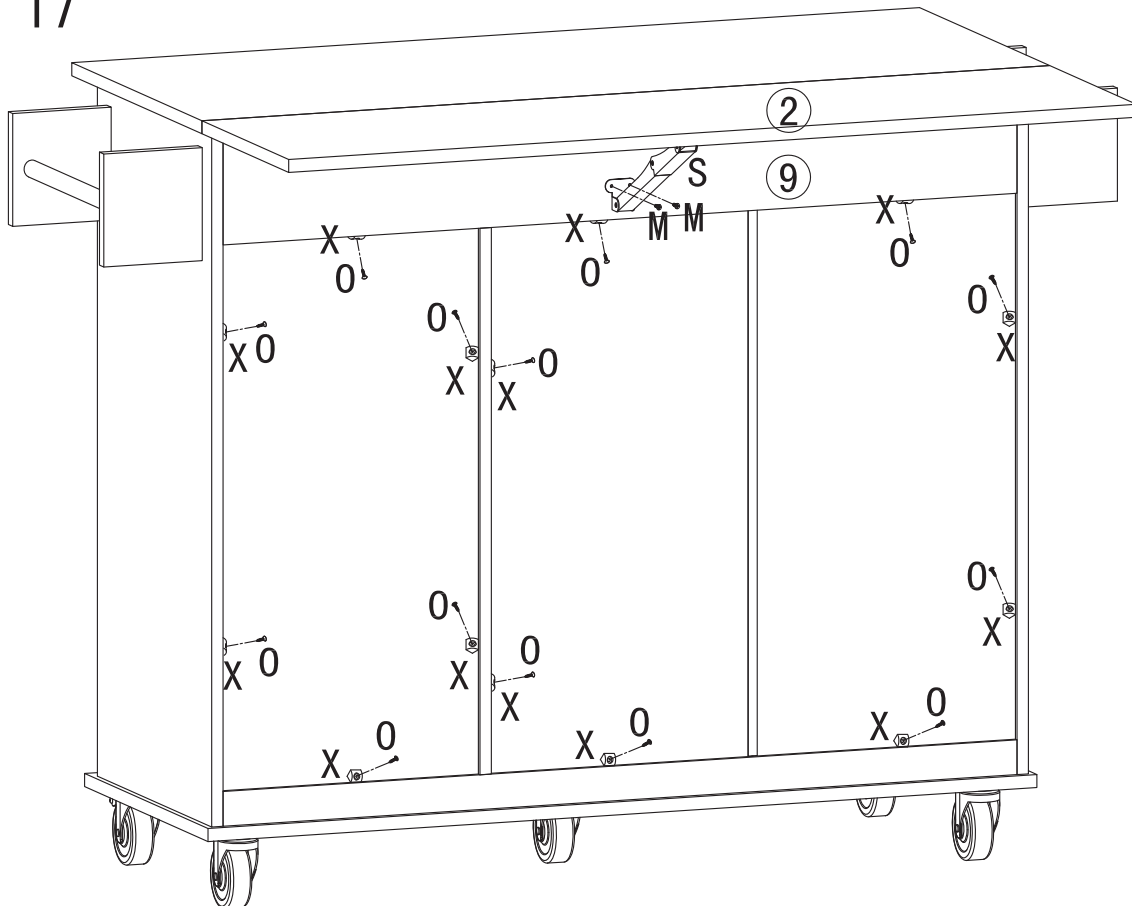
B 9pcs



C 6pcs



Step 17



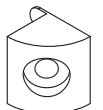
M 2pcs



O 14pcs

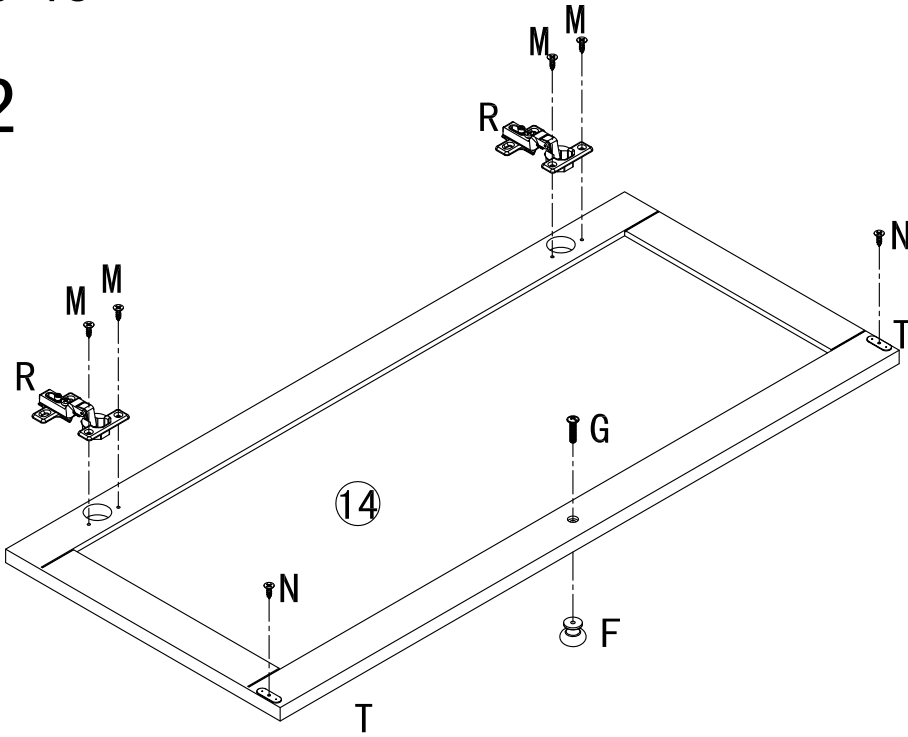


X 14pcs



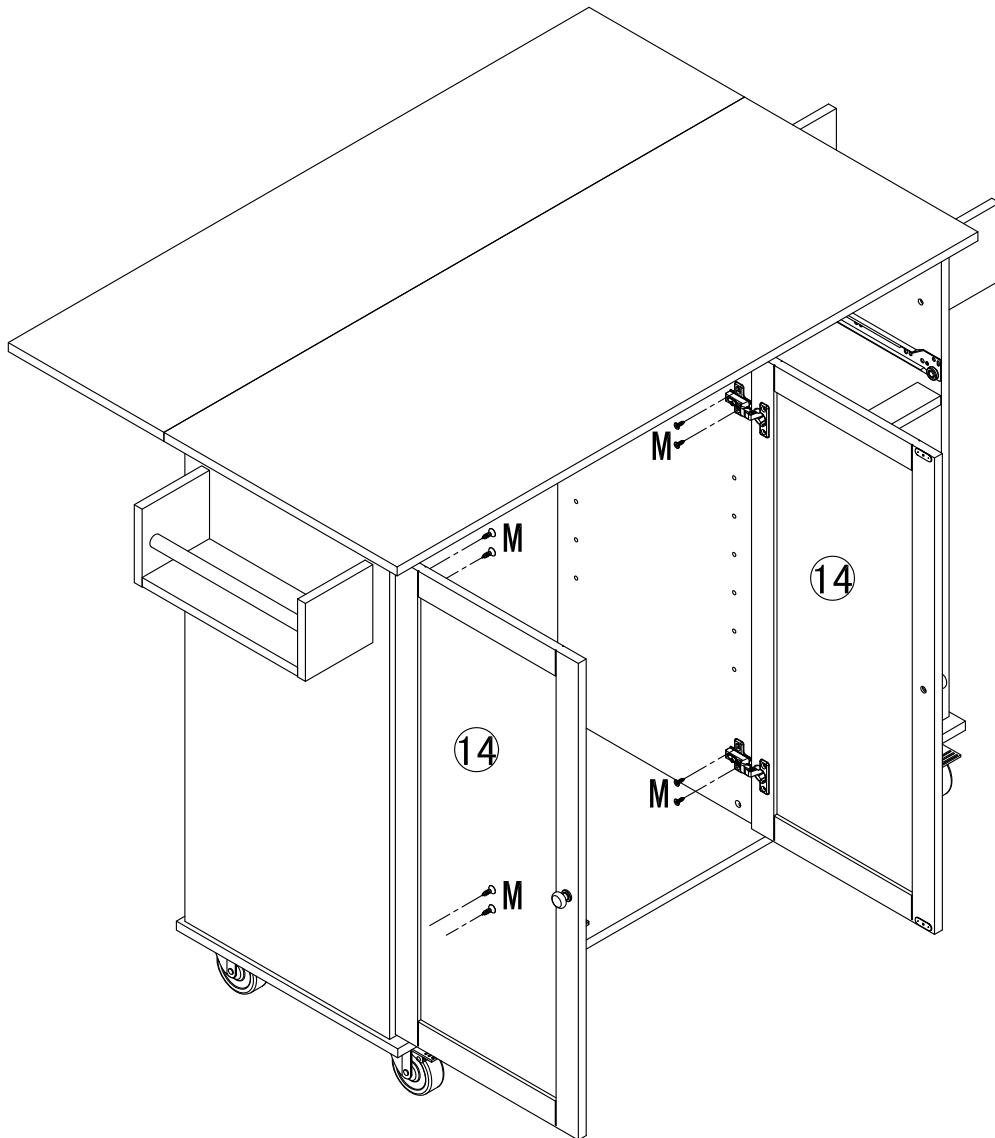
Step 18

x2



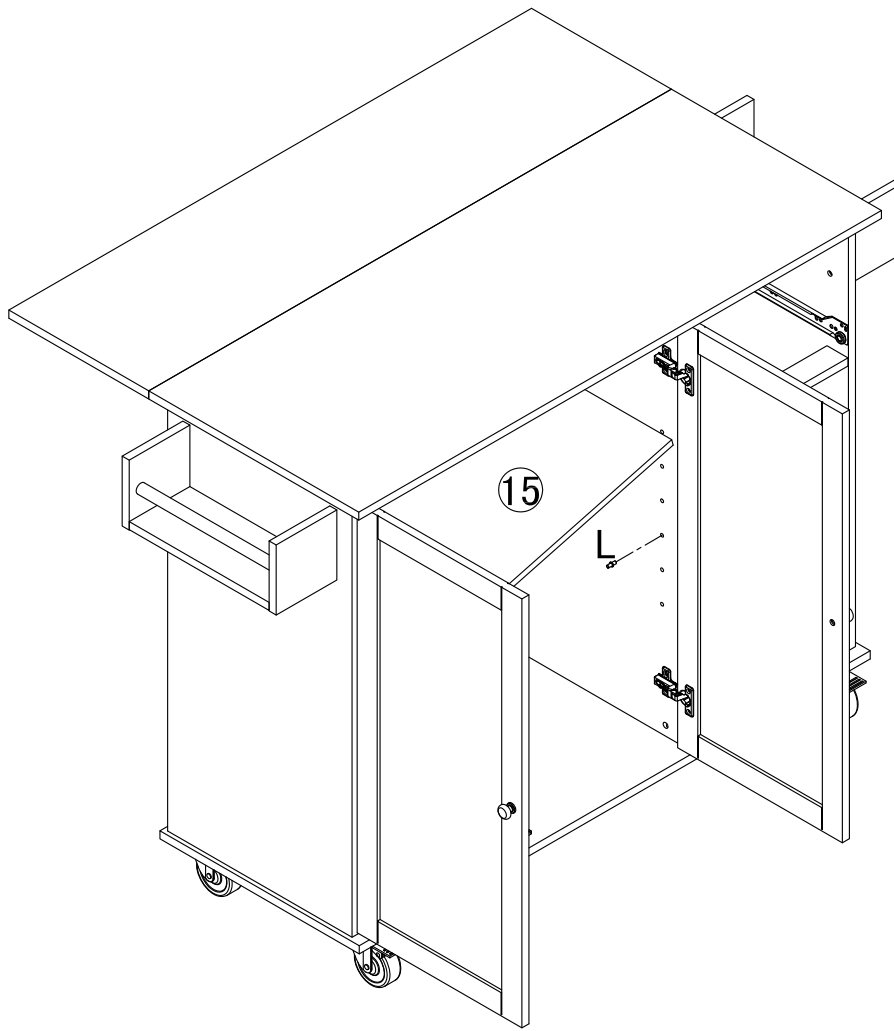
F	2pcs	G	2pcs
M	8pcs	N	4pcs
R	4pcs	T	4pcs

Step 19



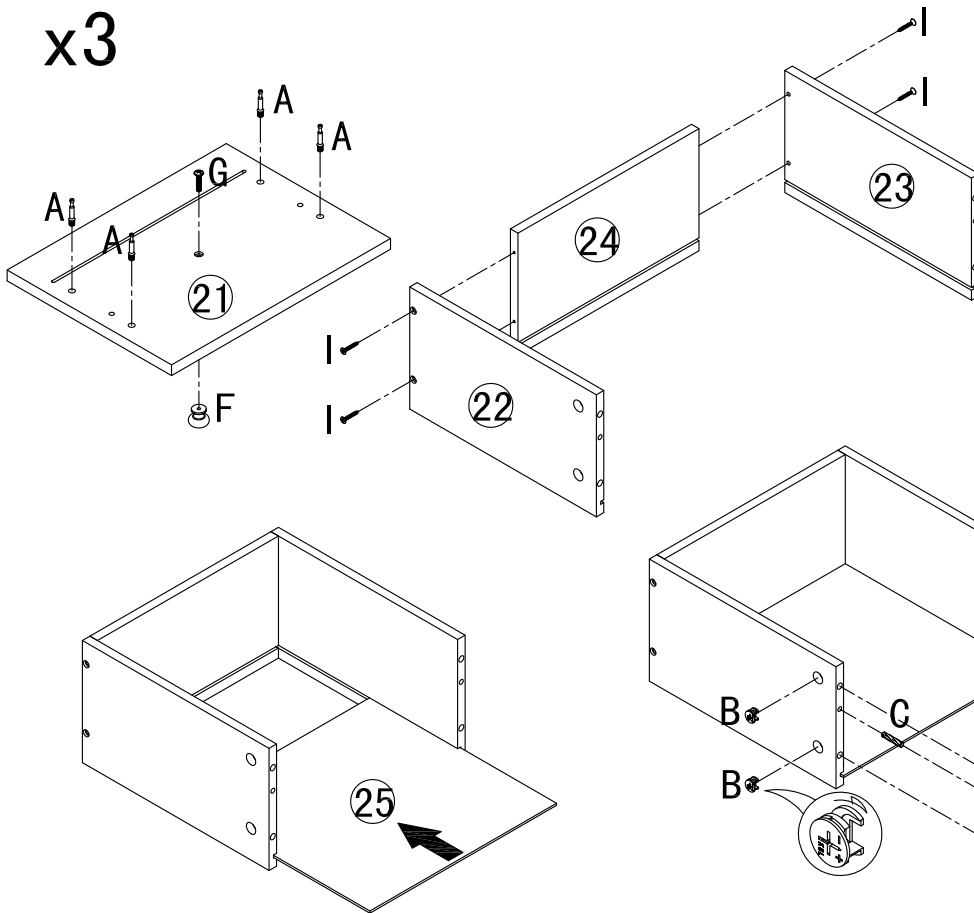
M	8pcs
---	------

Step 20



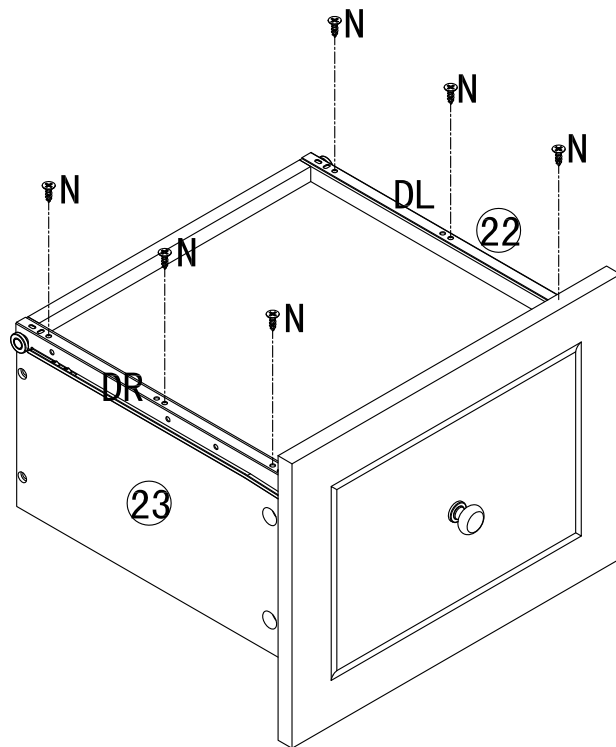
L	4pcs


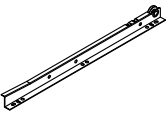
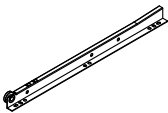
Step 21 x3



A	12pcs	B	12pcs
F	3pcs	G	3pcs
		I	12pcs

Step 22 x3



N	18pcs
	
DL	3pcs
	
DR	3pcs
	

Step 23

