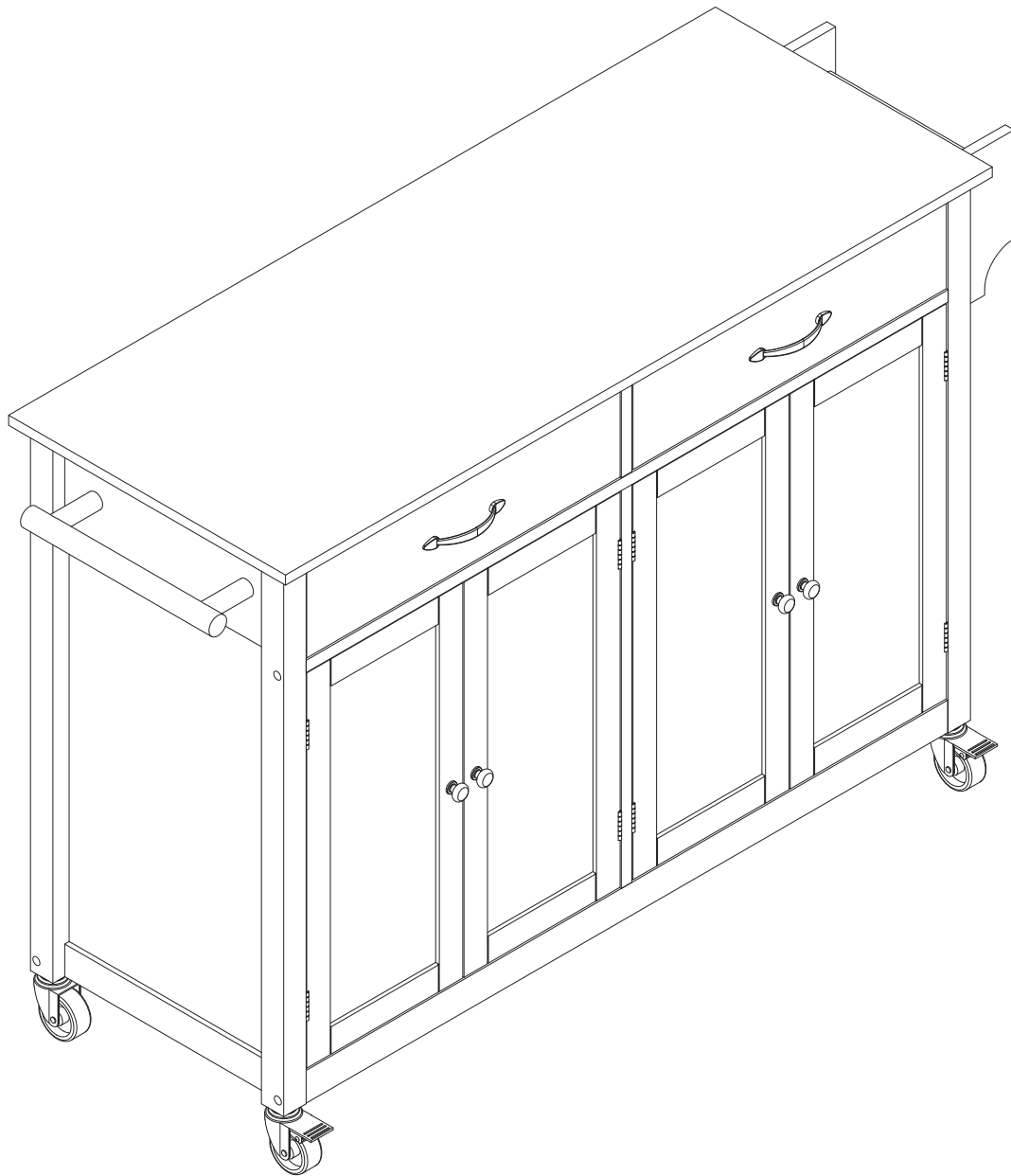
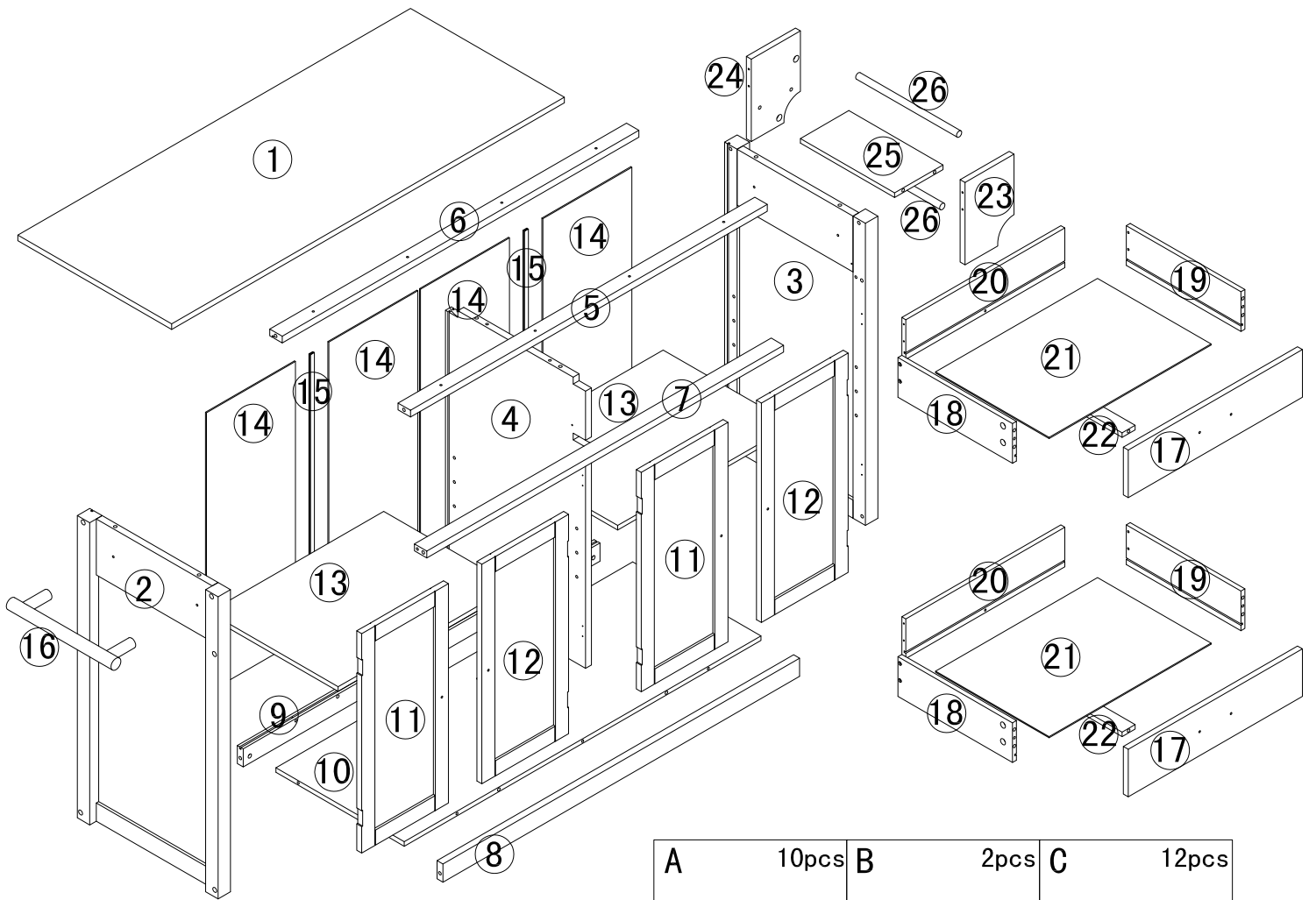


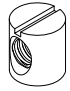
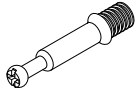
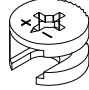
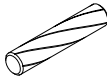
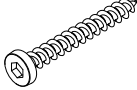
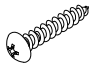
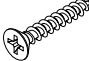
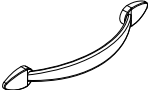


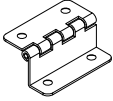
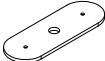

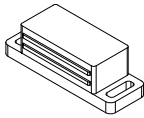
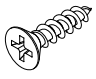
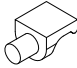
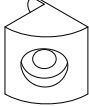
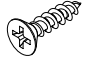

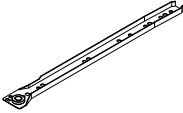
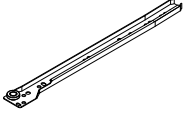
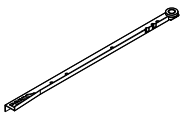
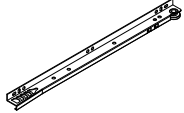

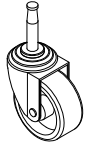


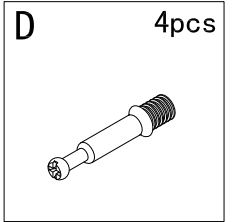
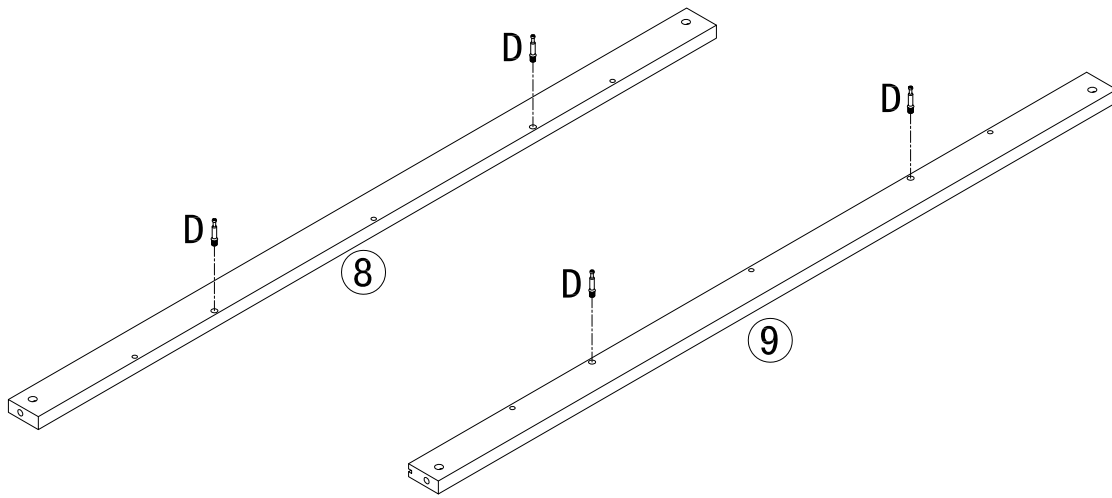
WF286911AAW



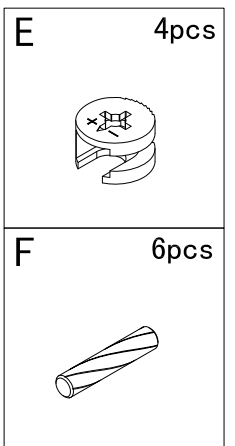
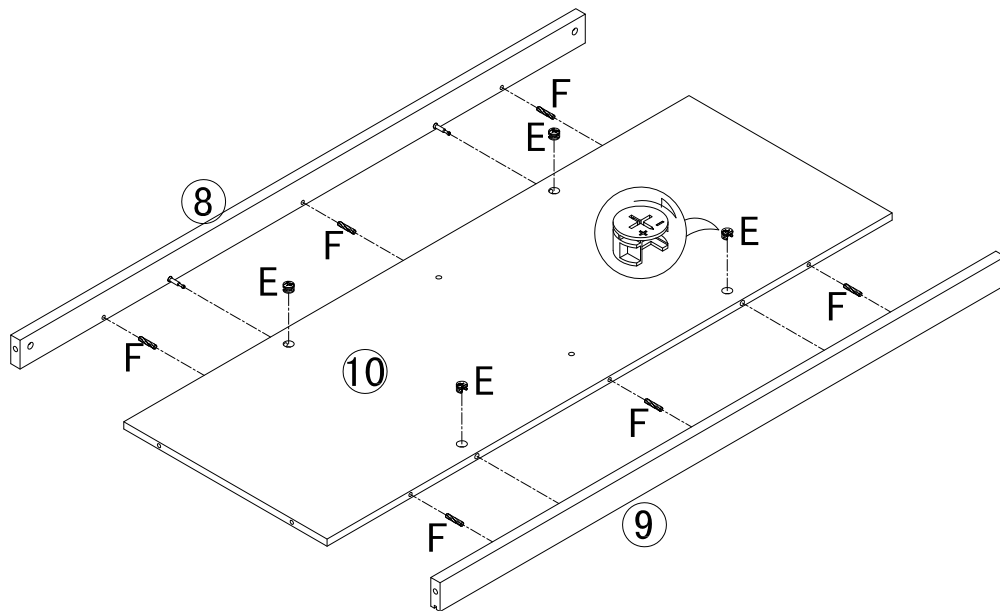


				A 10pcs	B 2pcs	C 12pcs
						
D 24pcs	E 24pcs	F 20pcs	G 6pcs	H 8pcs	I 10pcs	
						
J 2pcs	K 4pcs	L 8pcs	M 8pcs	N 4pcs	O 57pcs	
						
P 2pcs	Q 4pcs	R 8pcs	S 12pcs	T 12pcs	U 1pc	
						
CL 2pcs	CR 2pcs	DL 2pcs	DR 2pcs	V 2pcs	W 2pcs	
						

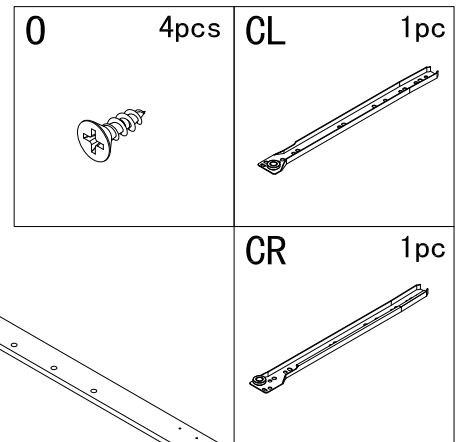
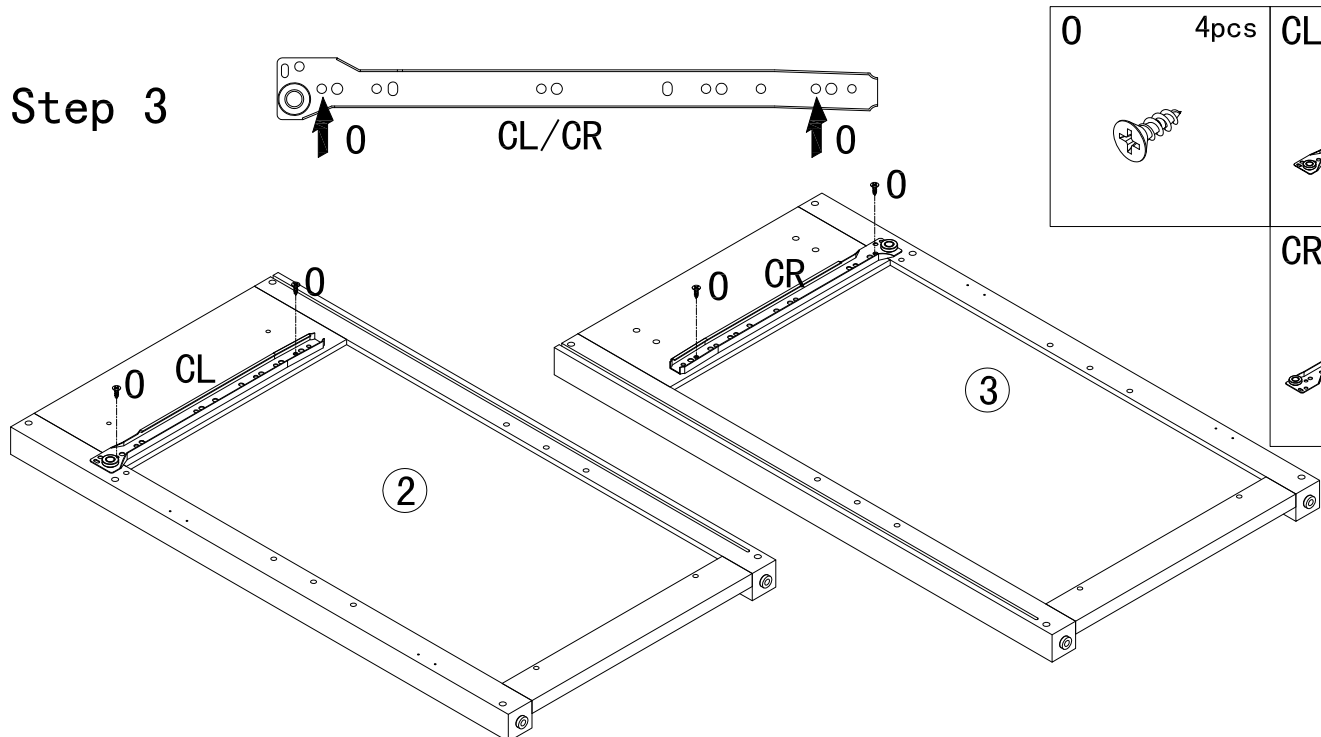
Step 1



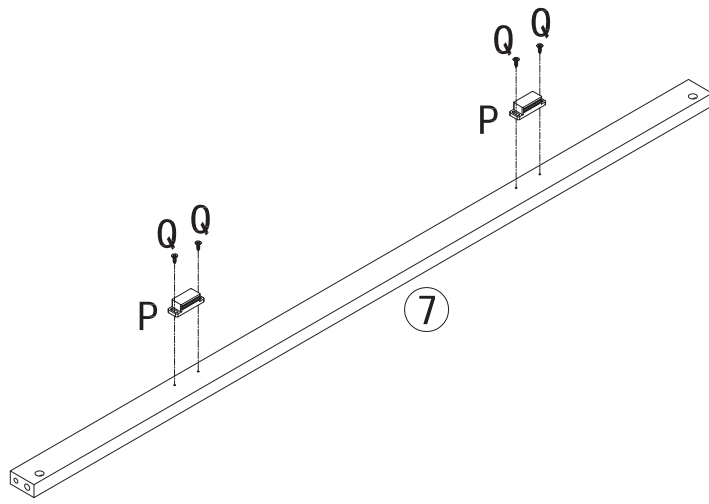
Step 2



Step 3

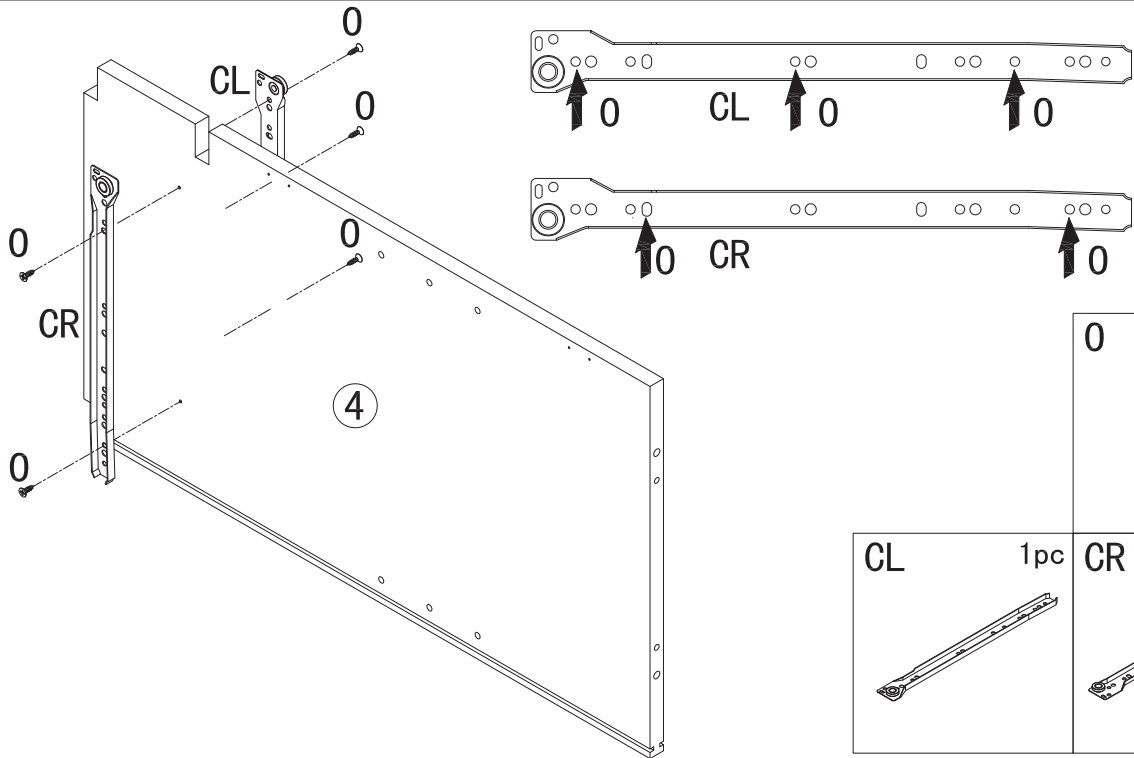


Step 4



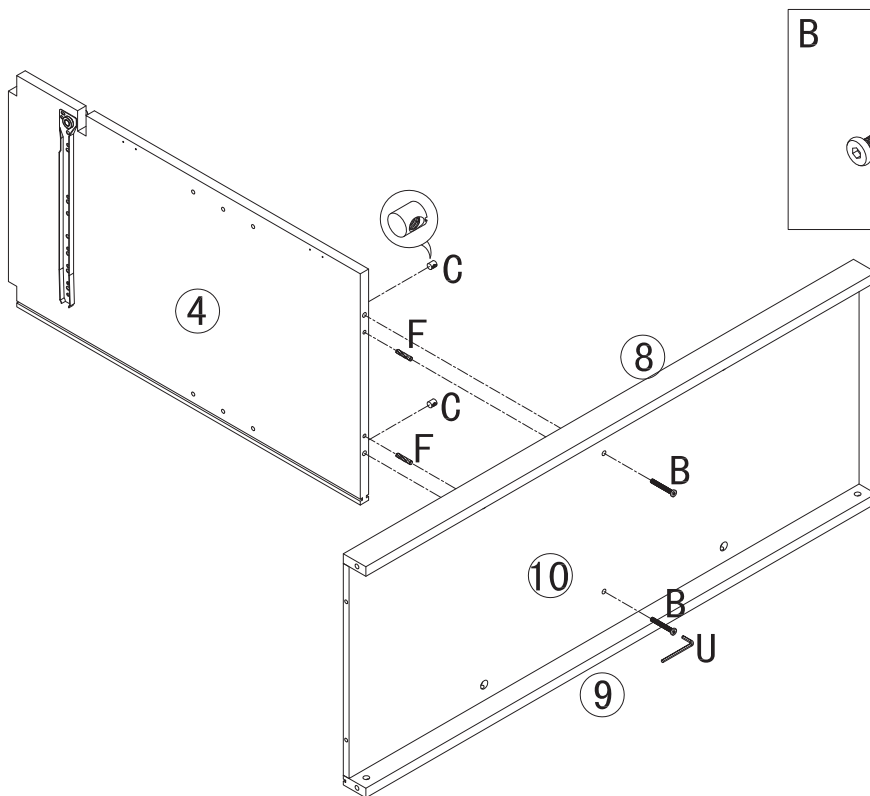
P	2pcs	Q	4pcs

Step 5



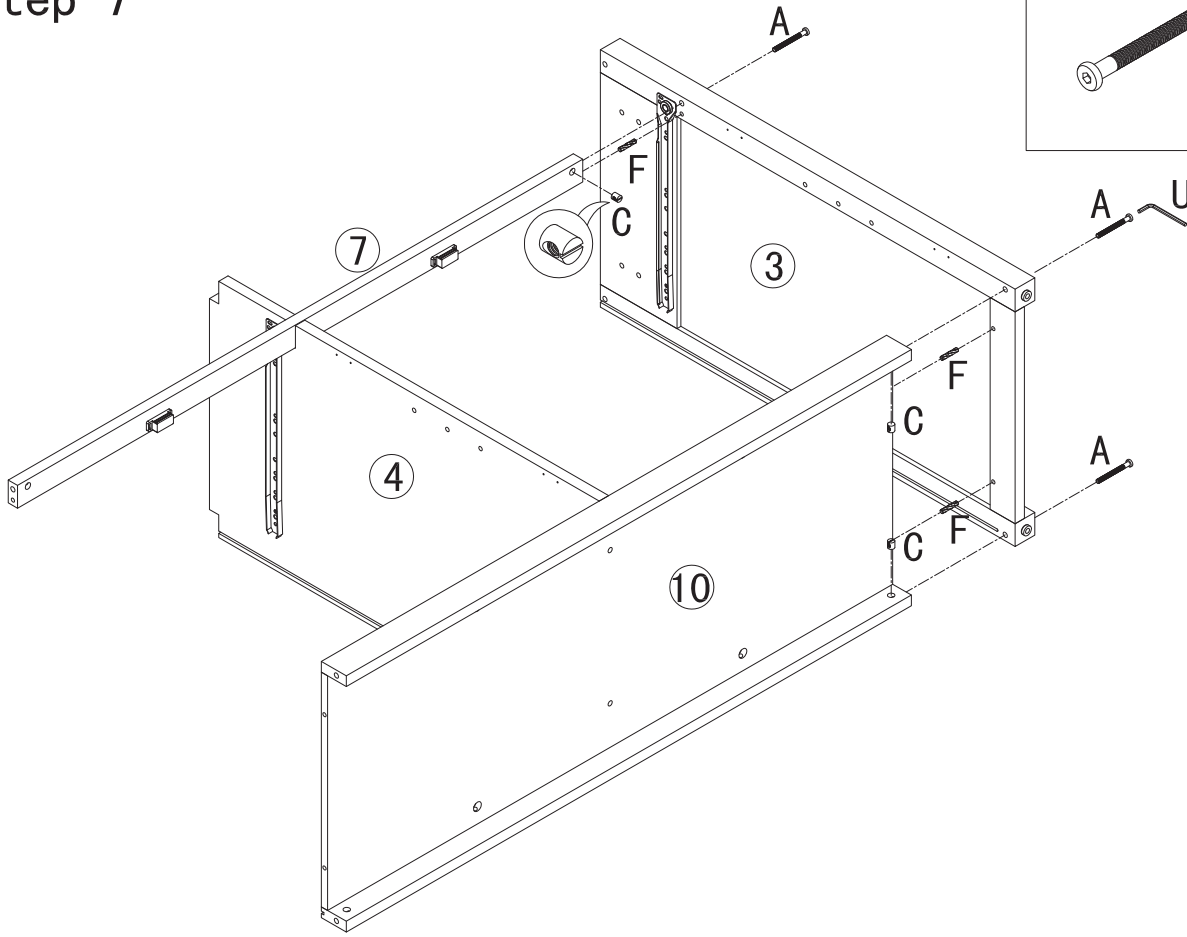
O	5pcs	CL	1pc	CR	1pc

Step 6



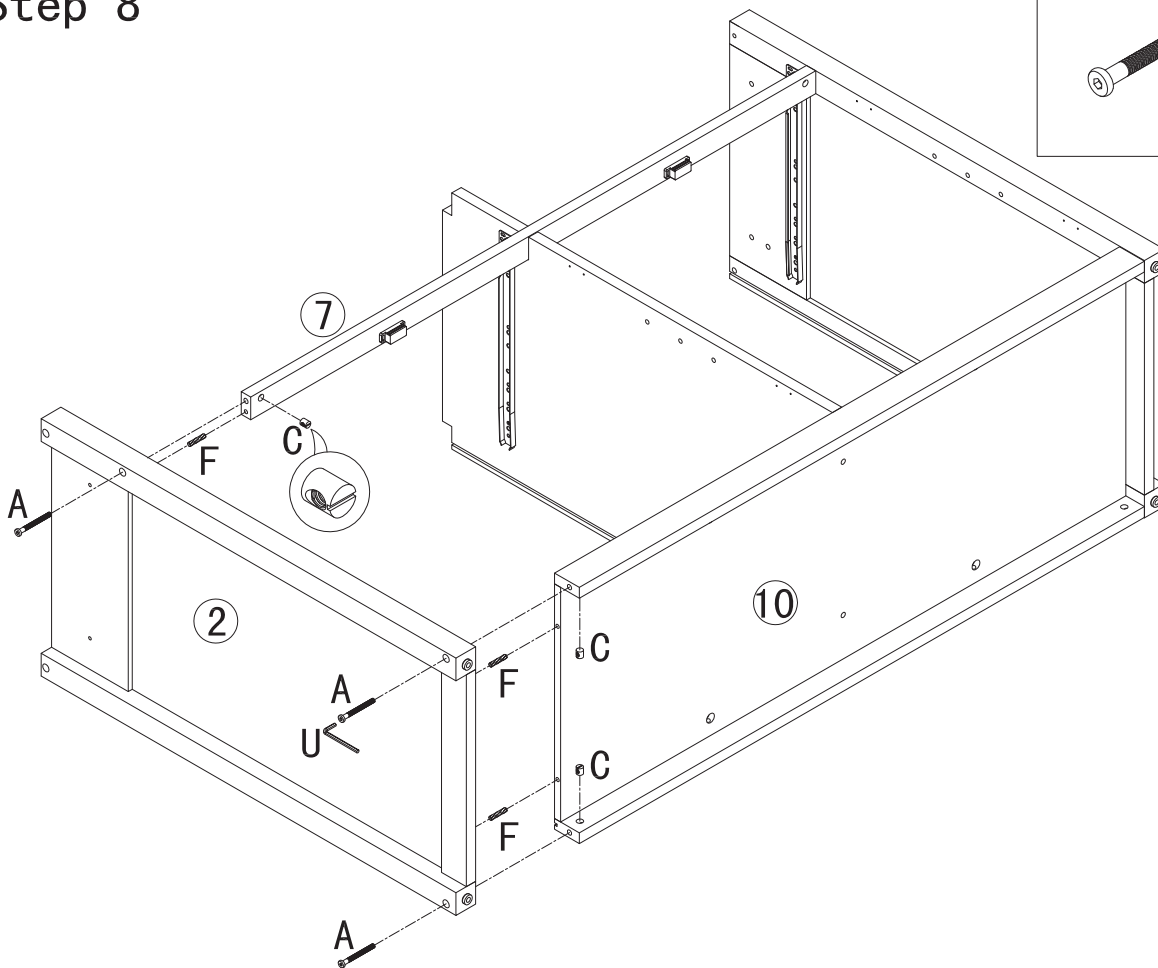
B	2pcs	C	2pcs
F	2pcs	U	1pc

Step 7



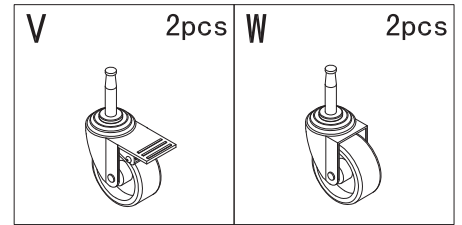
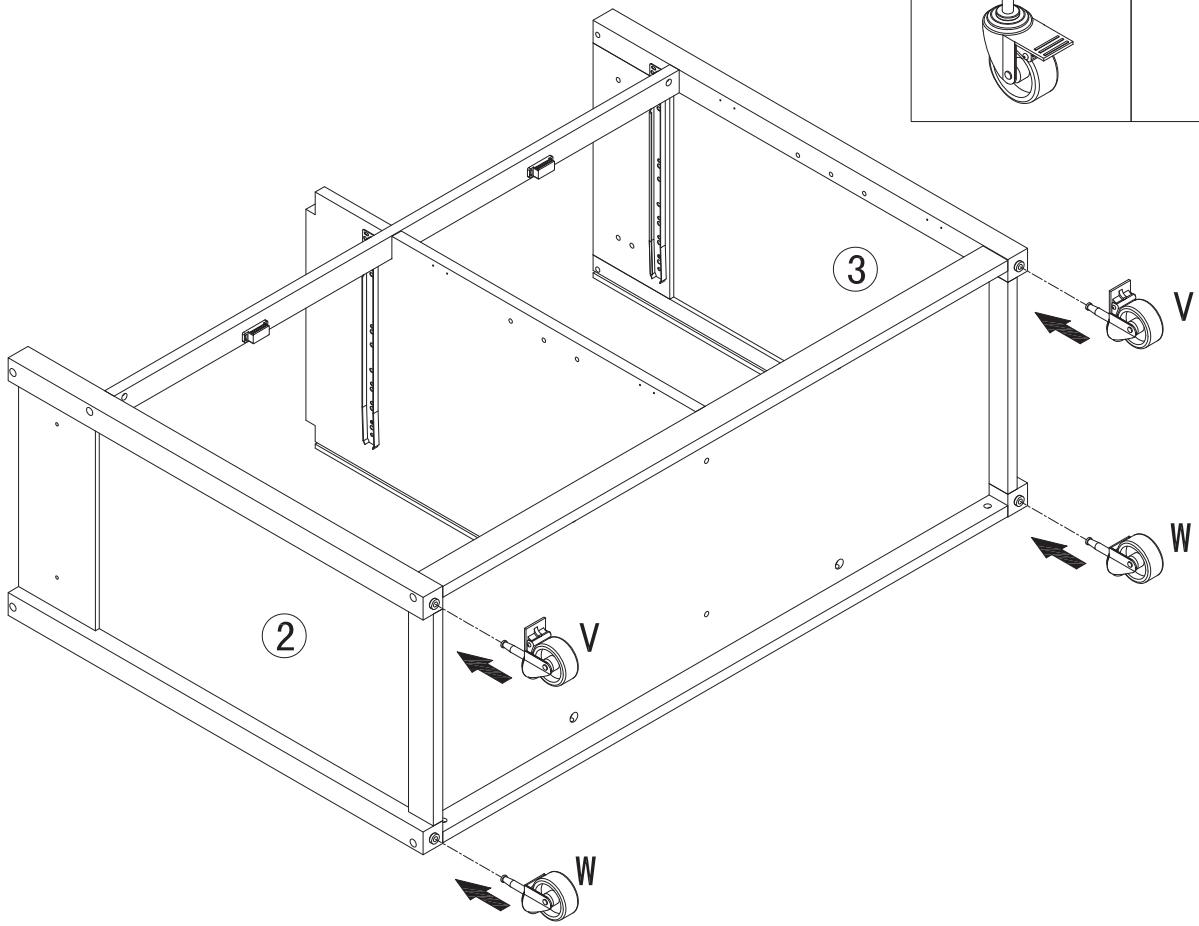
A	3pcs	C	3pcs
F	3pcs	U	1pc

Step 8

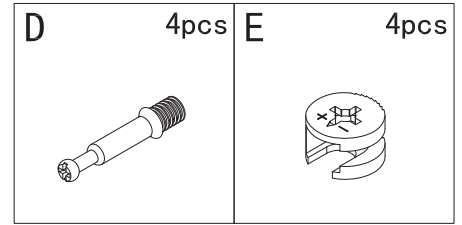
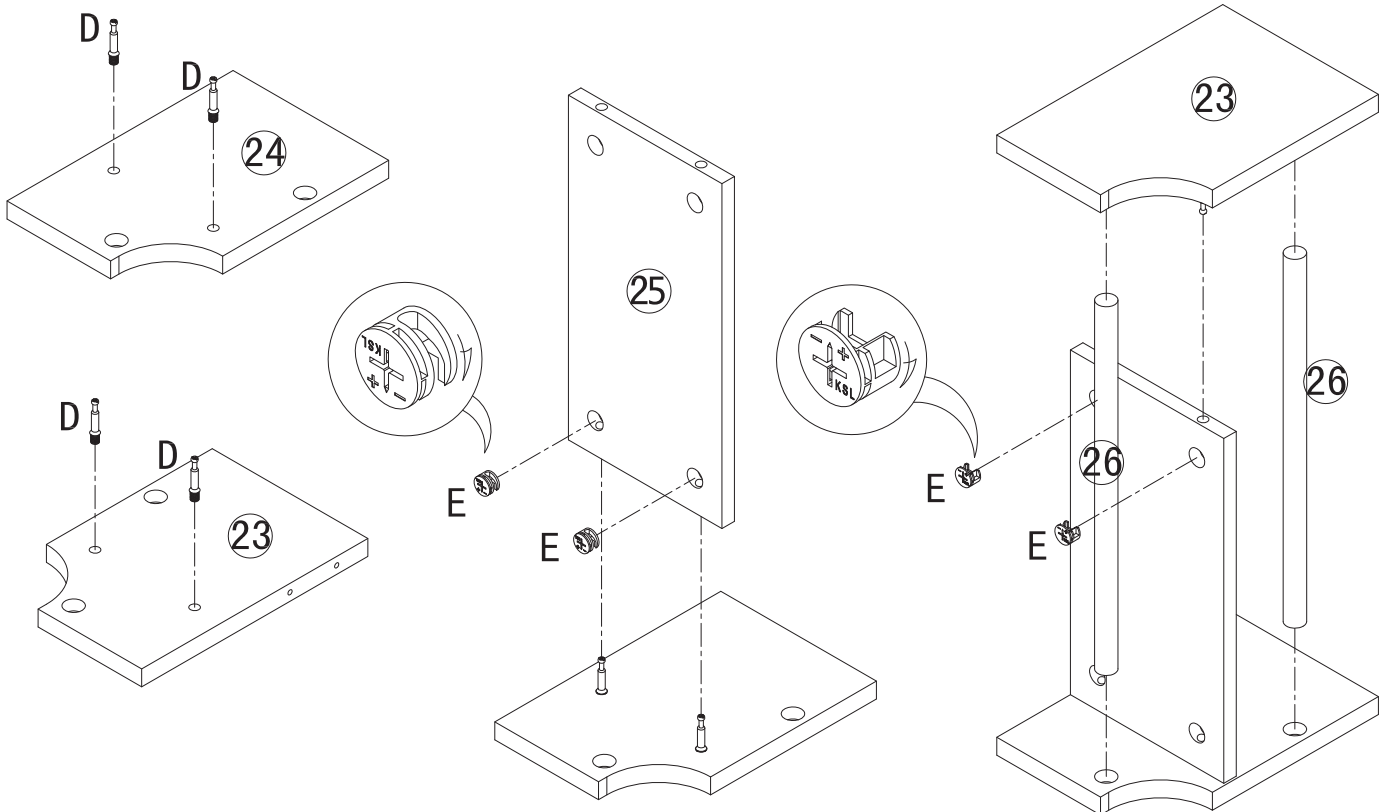


A	3pcs	C	3pcs
F	3pcs	U	1pc

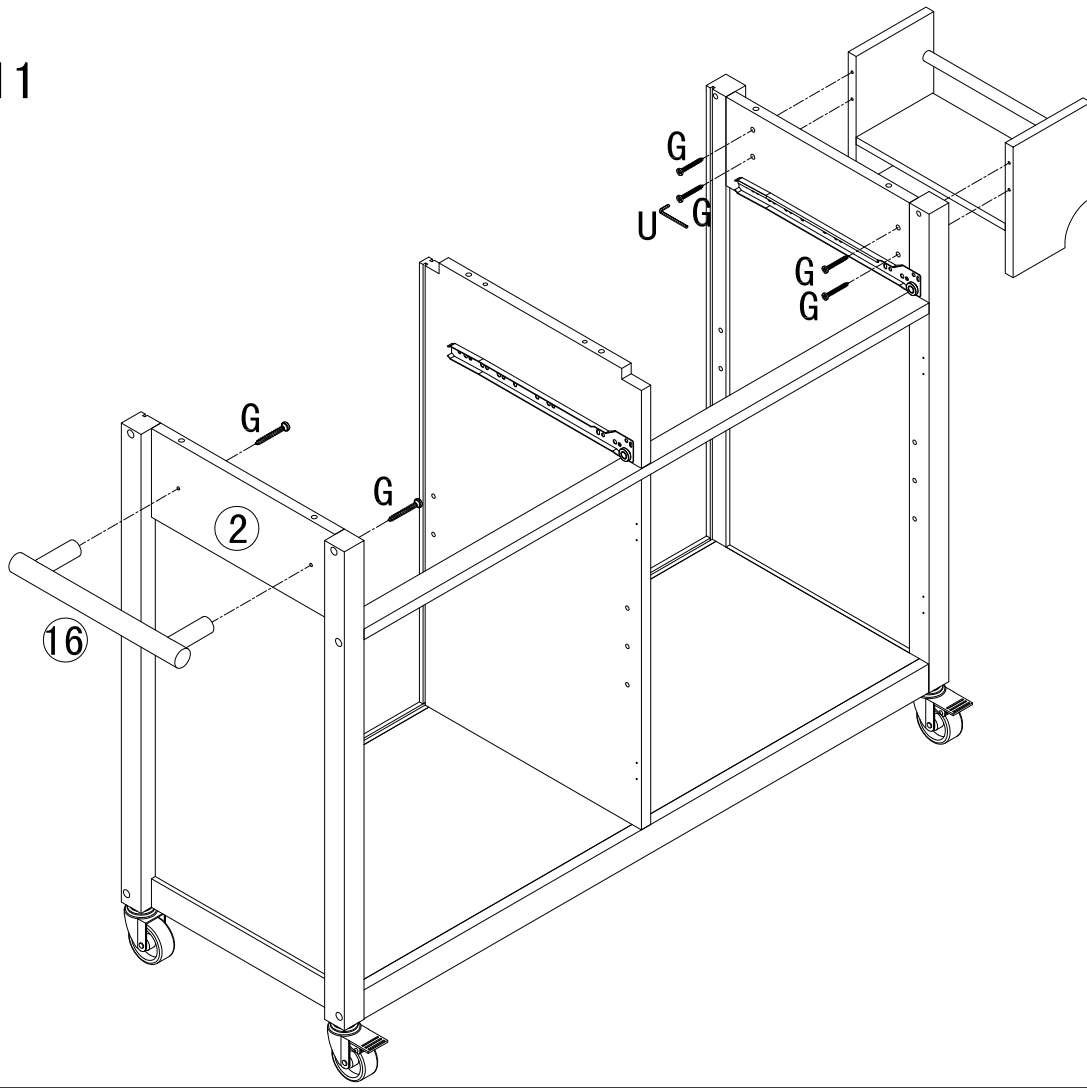
Step 9



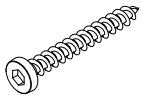
Step 10



Step 11



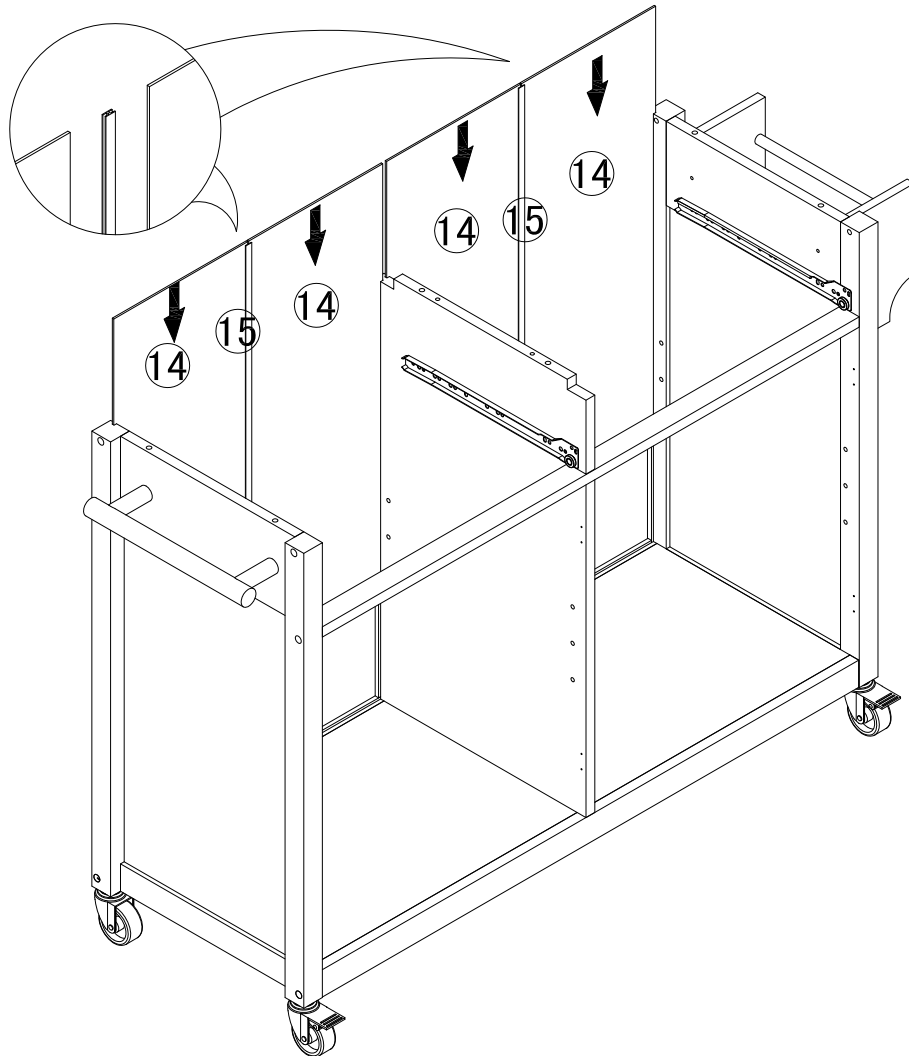
G 6pcs



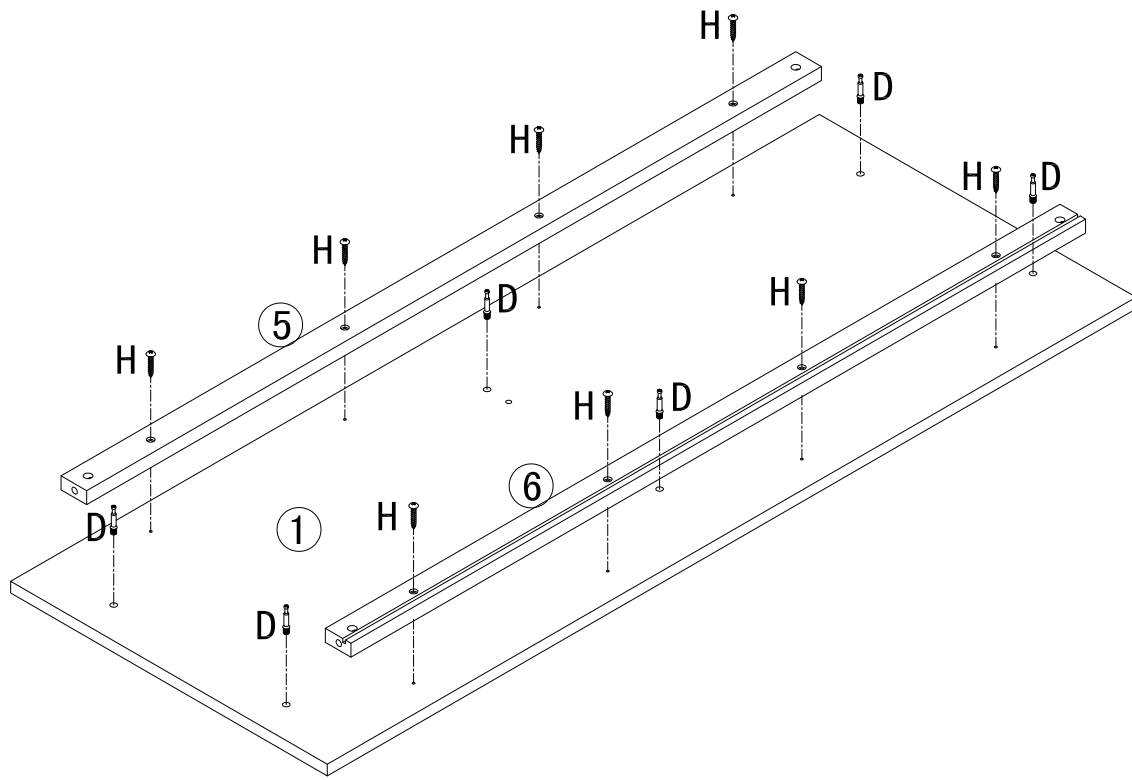
U 1pc



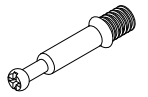
Step 12



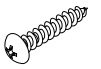
Step 13



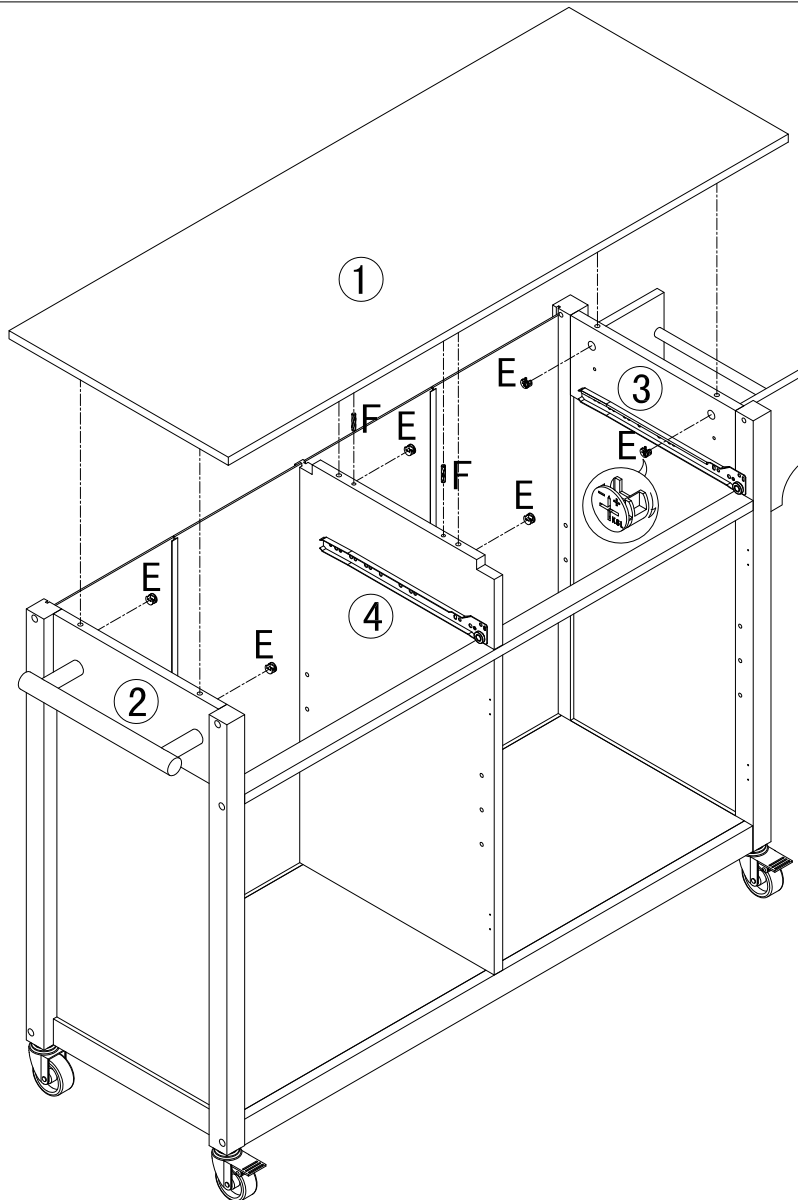
D 6pcs



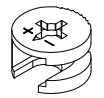
H 8pcs



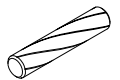
Step 14



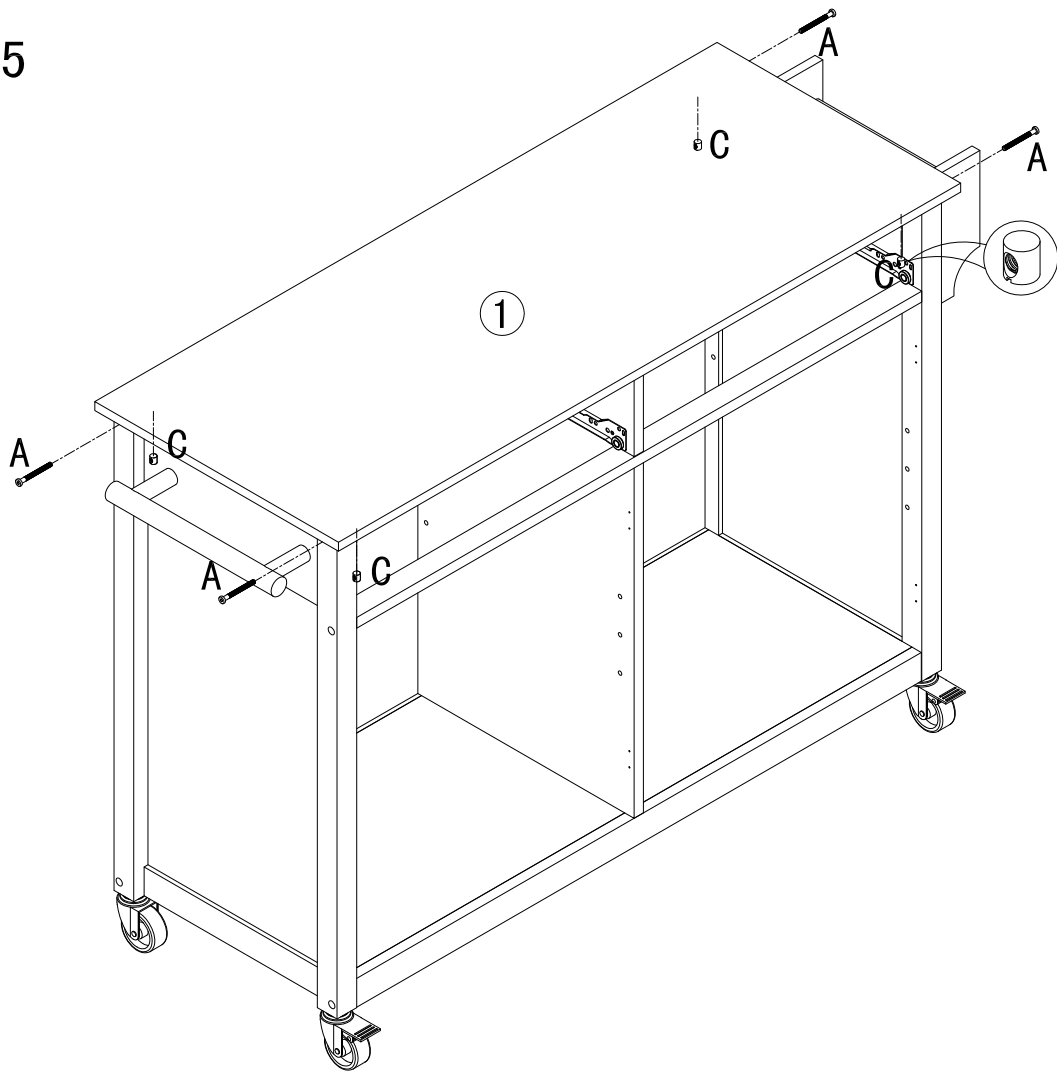
E 6pcs






F 2pcs



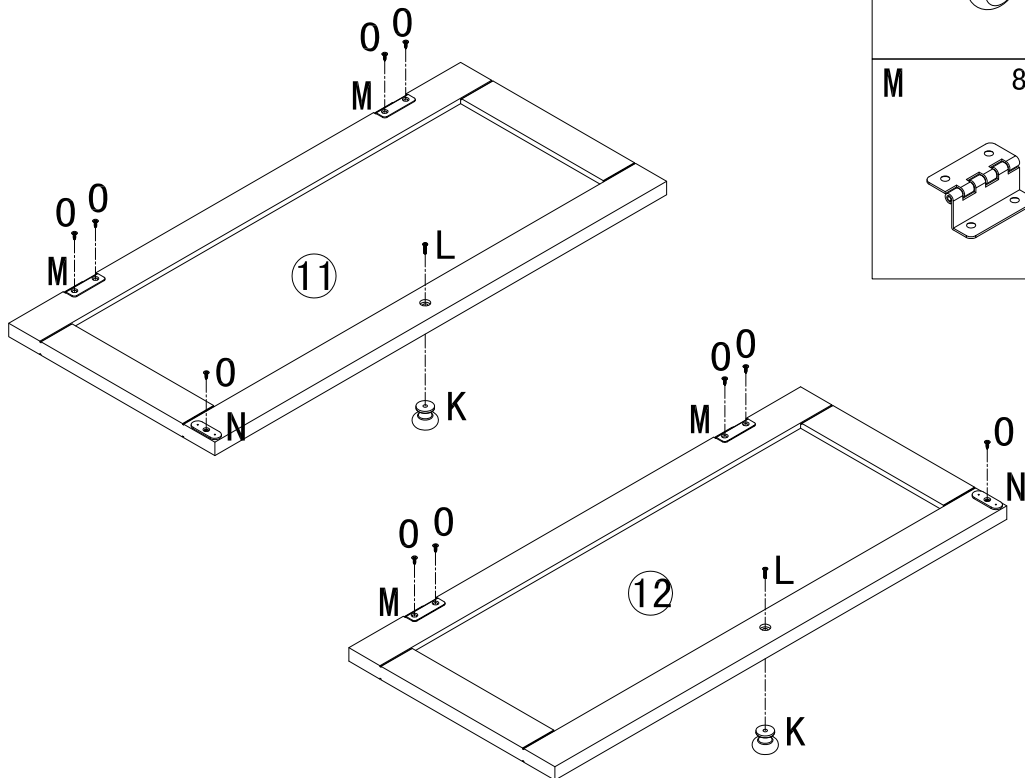
Step 15

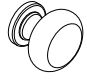

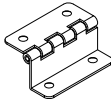
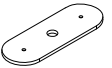
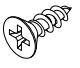


A	4pcs
	
C	4pcs
	
U	1pc
	

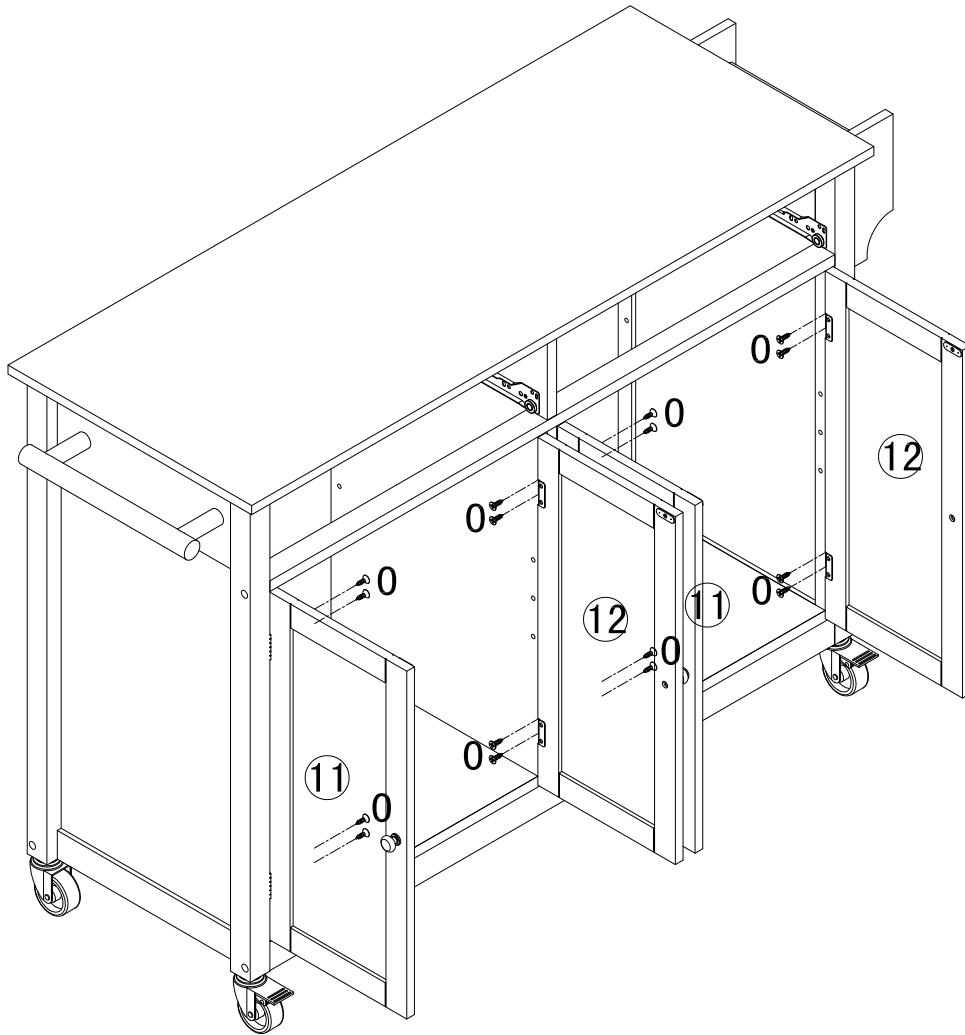
Step 16

x2



K	4pcs	L	4pcs
			
M	8pcs	N	4pcs
			
O	20pcs		
			

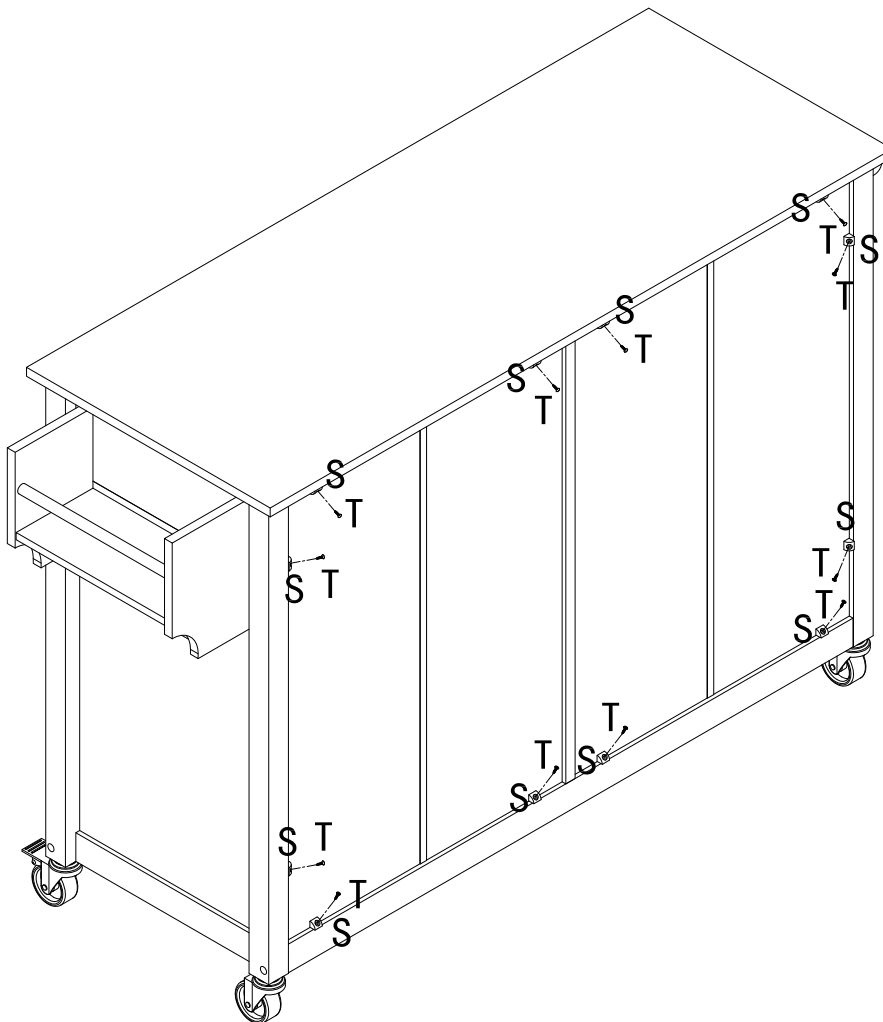
Step 17



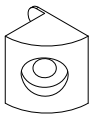
0 16pcs



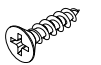
Step 18



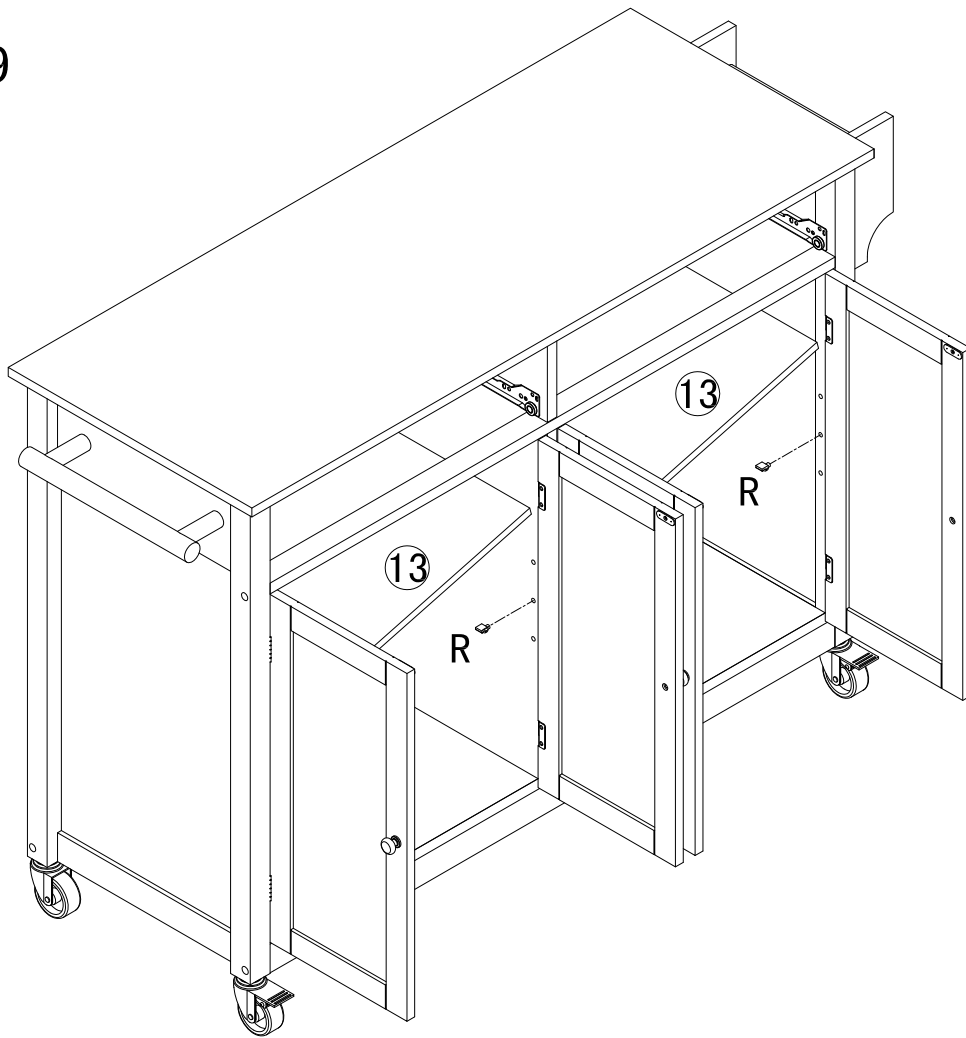
S 12pcs



T 12pcs

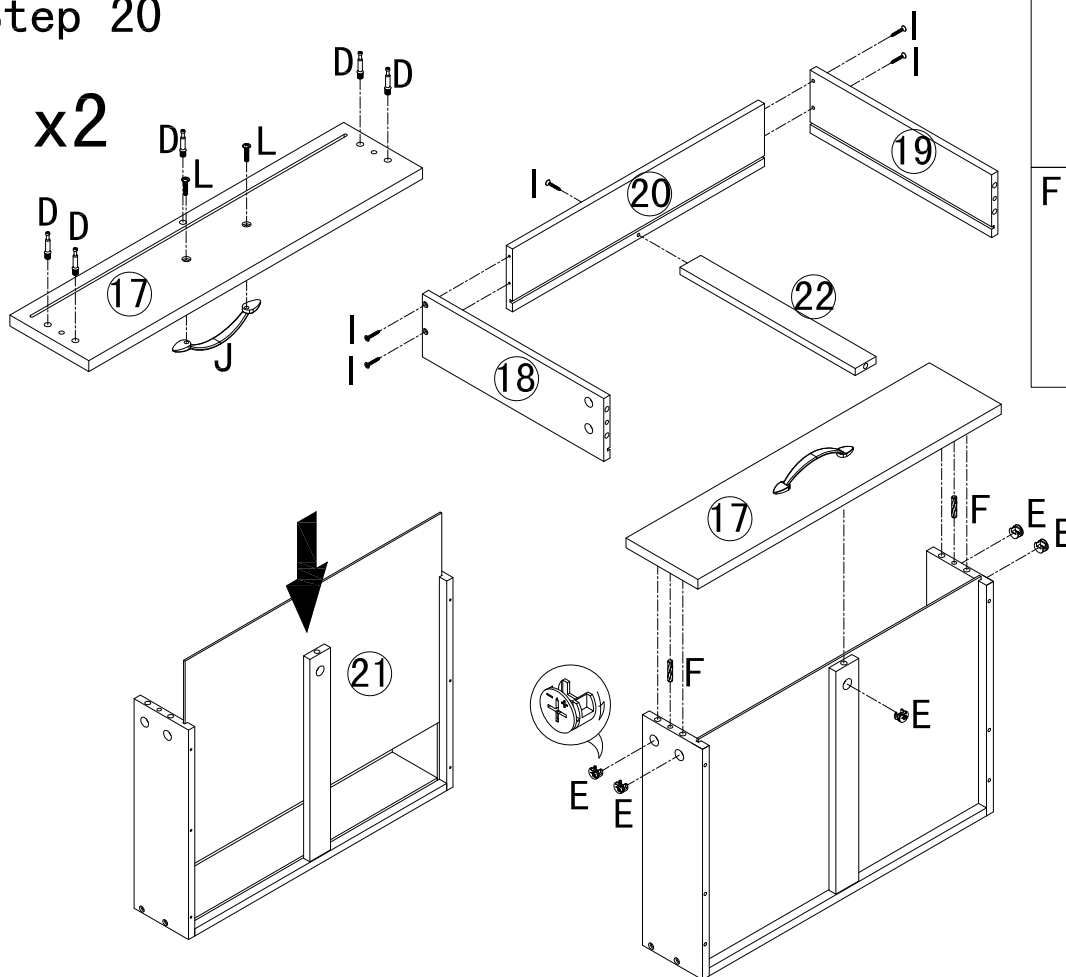


Step 19



R 8pcs

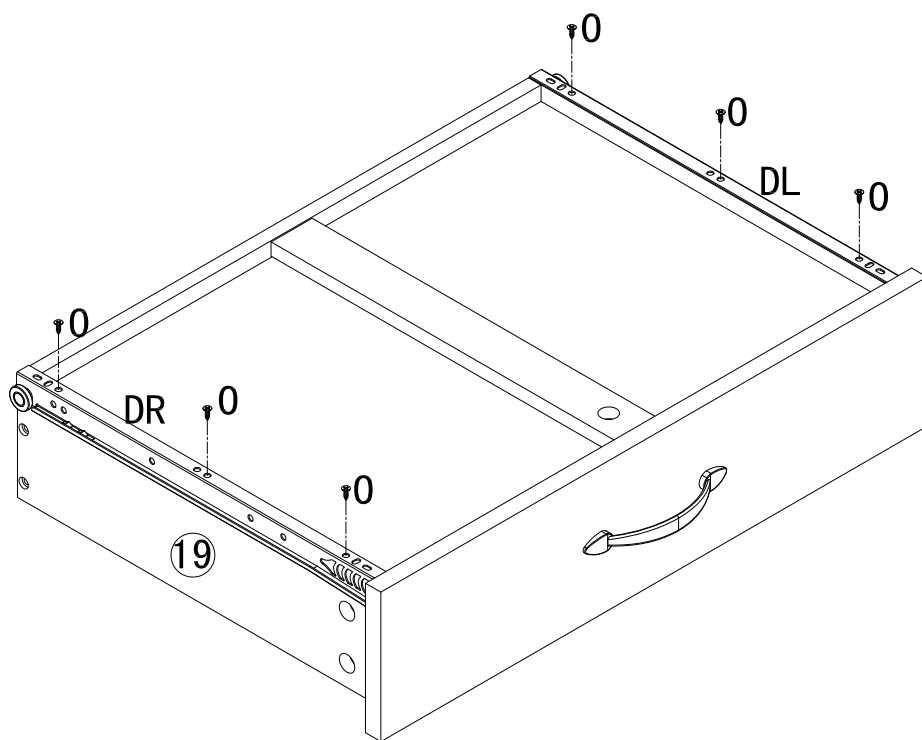
Step 20

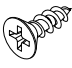
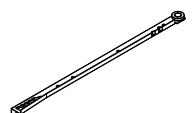
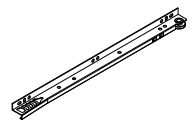


D 10pcs	E 10pcs
F 4pcs	J 2pcs
	L 4pcs
	I 10pcs

Step 21

x2



0	12pcs
	
DL	2pcs
	
DR	2pcs
	

Step 22

