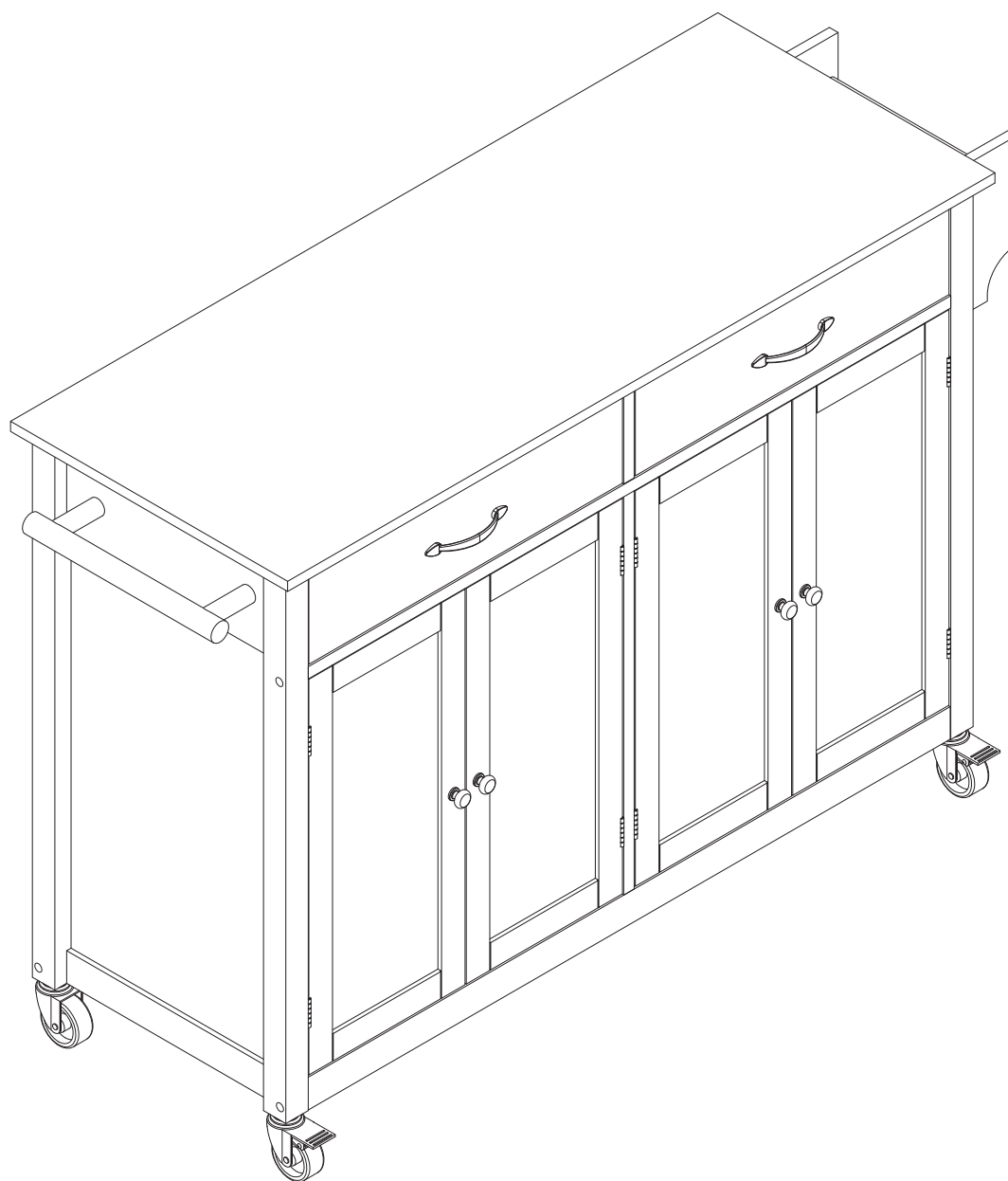
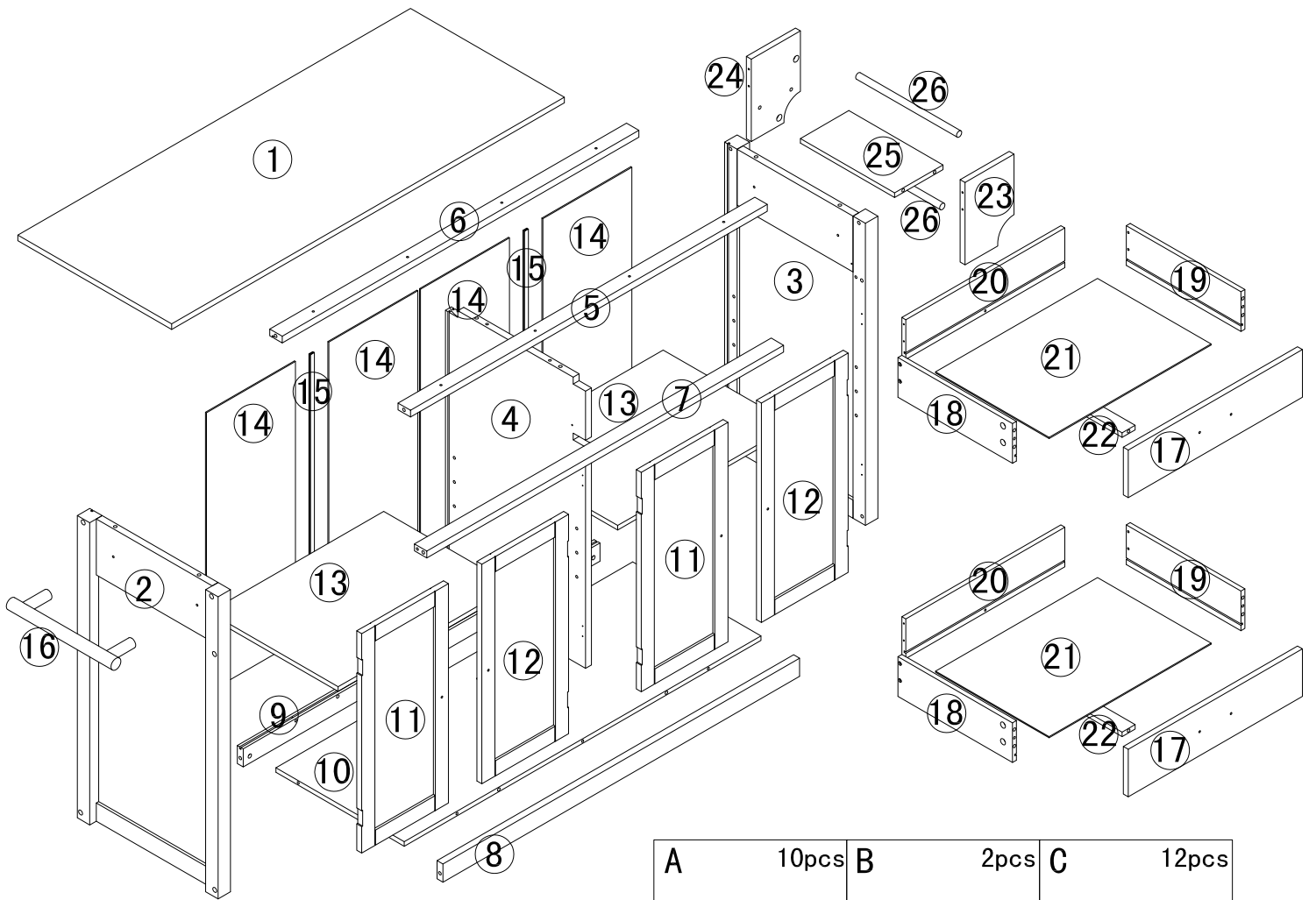


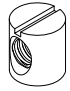
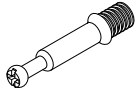
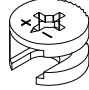
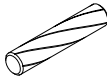
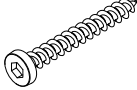
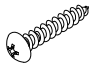
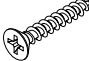
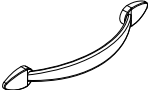


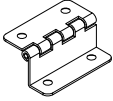
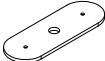

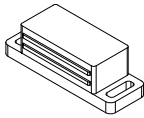
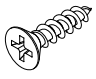
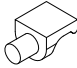
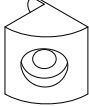
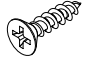

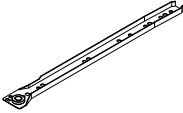
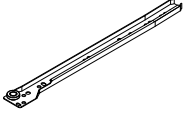
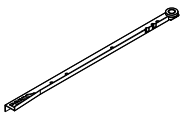
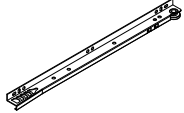

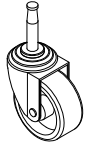


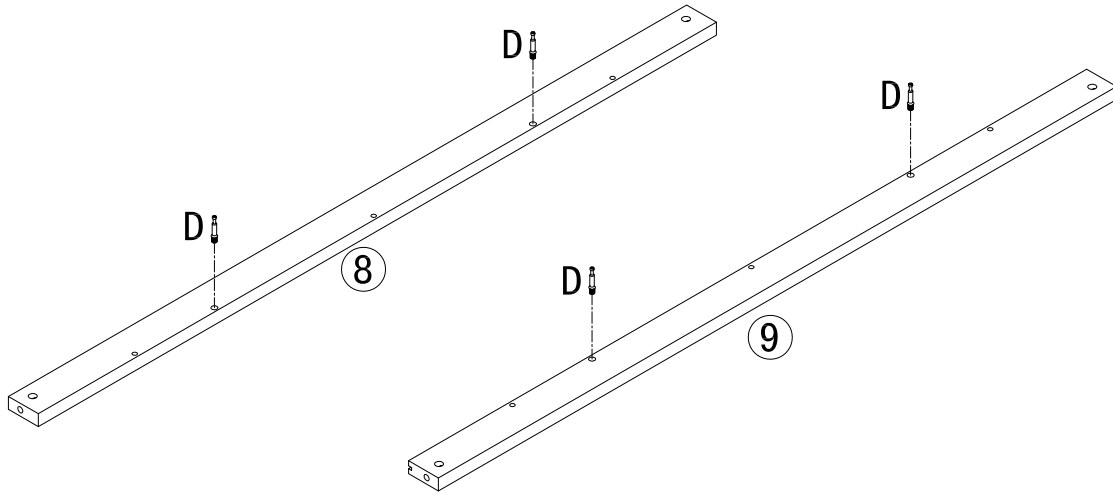
# WF286911AAG



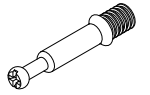


				<b>A</b> 10pcs	<b>B</b> 2pcs	<b>C</b> 12pcs			
									
<b>D</b> 24pcs	<b>E</b> 24pcs	<b>F</b> 20pcs	<b>G</b> 6pcs	<b>H</b> 8pcs	<b>I</b> 10pcs				
									
<b>J</b> 2pcs	<b>K</b> 4pcs	<b>L</b> 8pcs	<b>M</b> 8pcs	<b>N</b> 4pcs	<b>O</b> 57pcs				
									
<b>P</b> 2pcs	<b>Q</b> 4pcs	<b>R</b> 8pcs	<b>S</b> 12pcs	<b>T</b> 12pcs	<b>U</b> 1pc				
									
<b>CL</b> 2pcs	<b>CR</b> 2pcs	<b>DL</b> 2pcs	<b>DR</b> 2pcs	<b>V</b> 2pcs	<b>W</b> 2pcs				
									

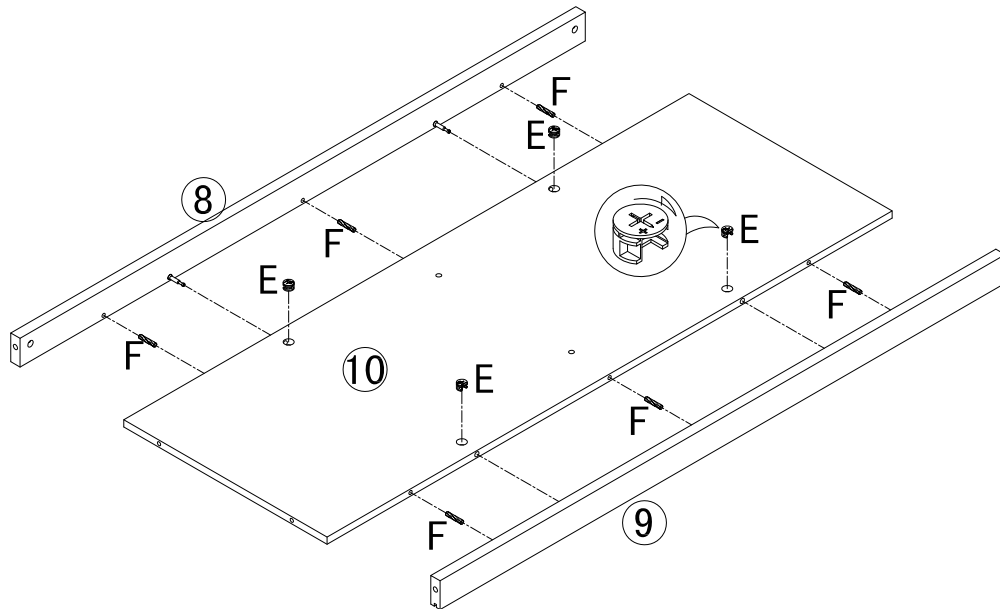
# Step 1



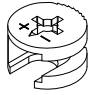
D 4pcs



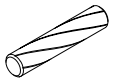
# Step 2



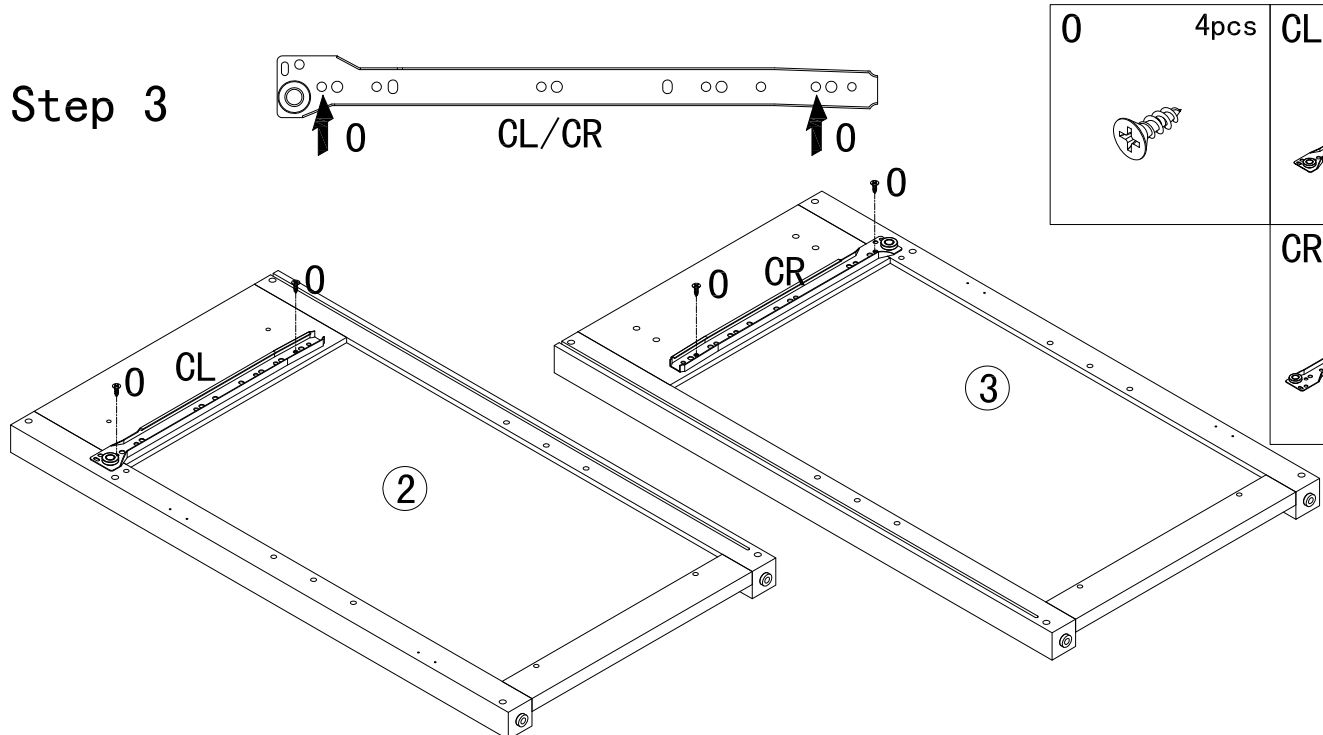
E 4pcs



F 6pcs



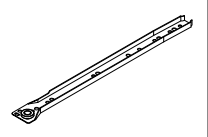
# Step 3



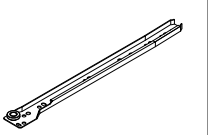
O 4pcs



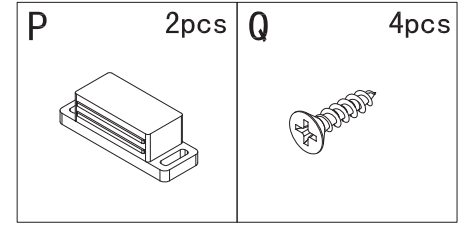
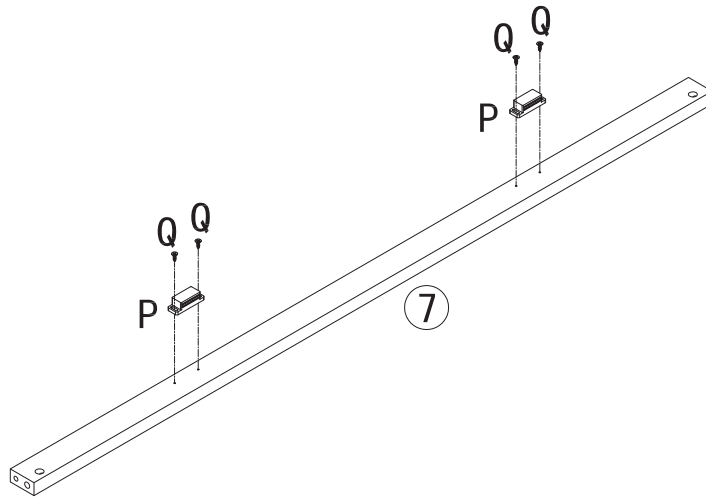
CL 1pc



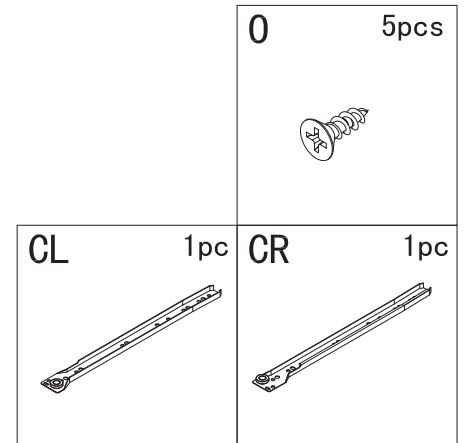
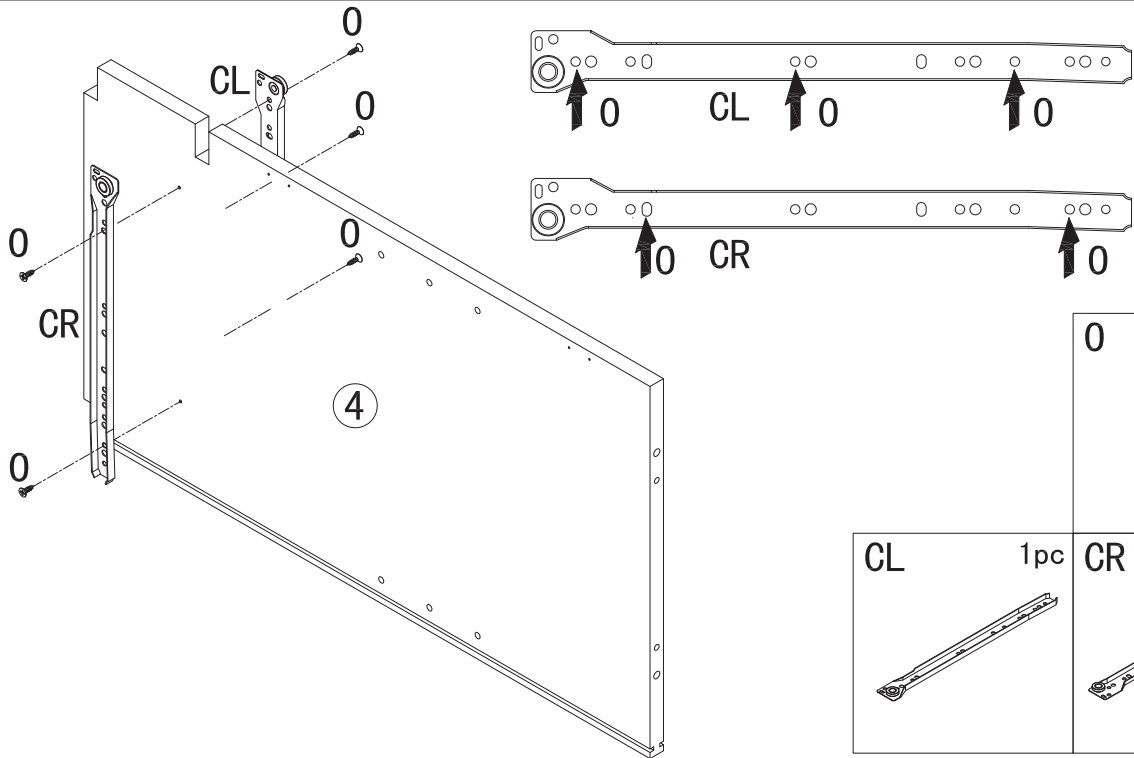
CR 1pc



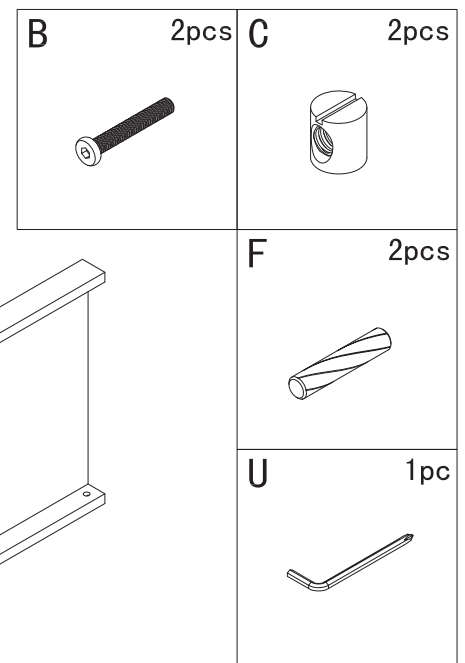
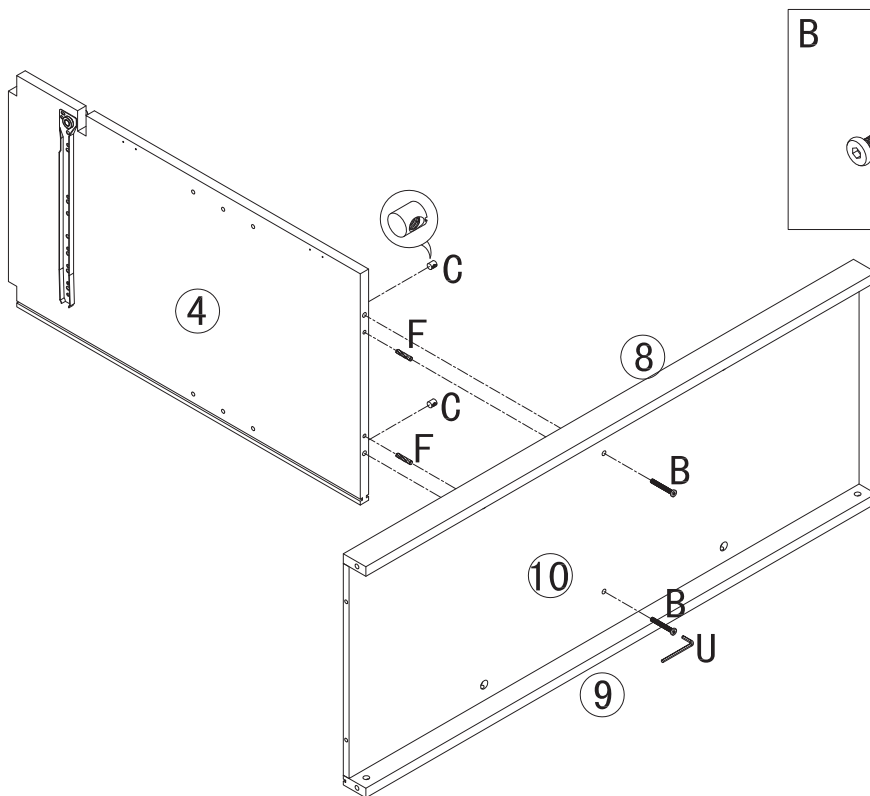
# Step 4



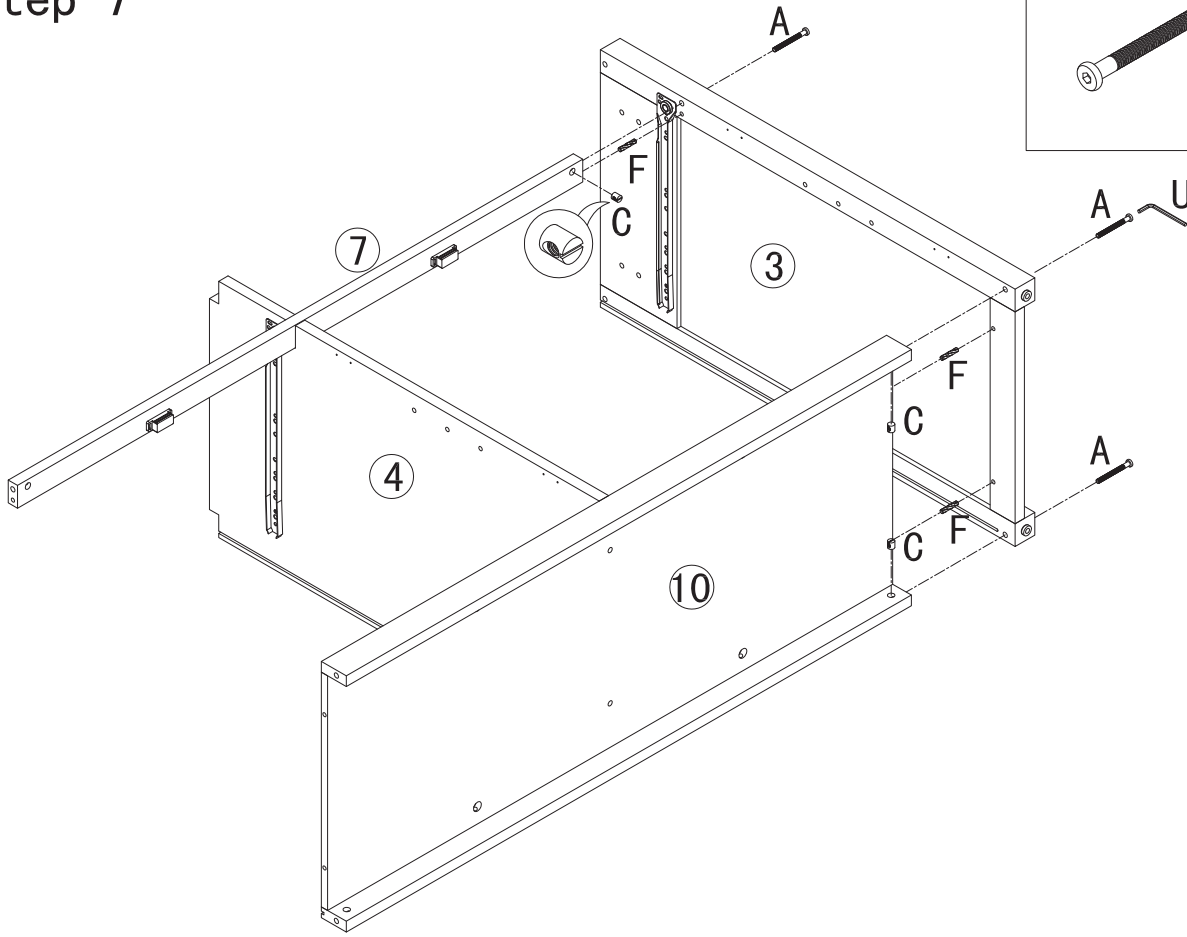
# Step 5







# Step 6

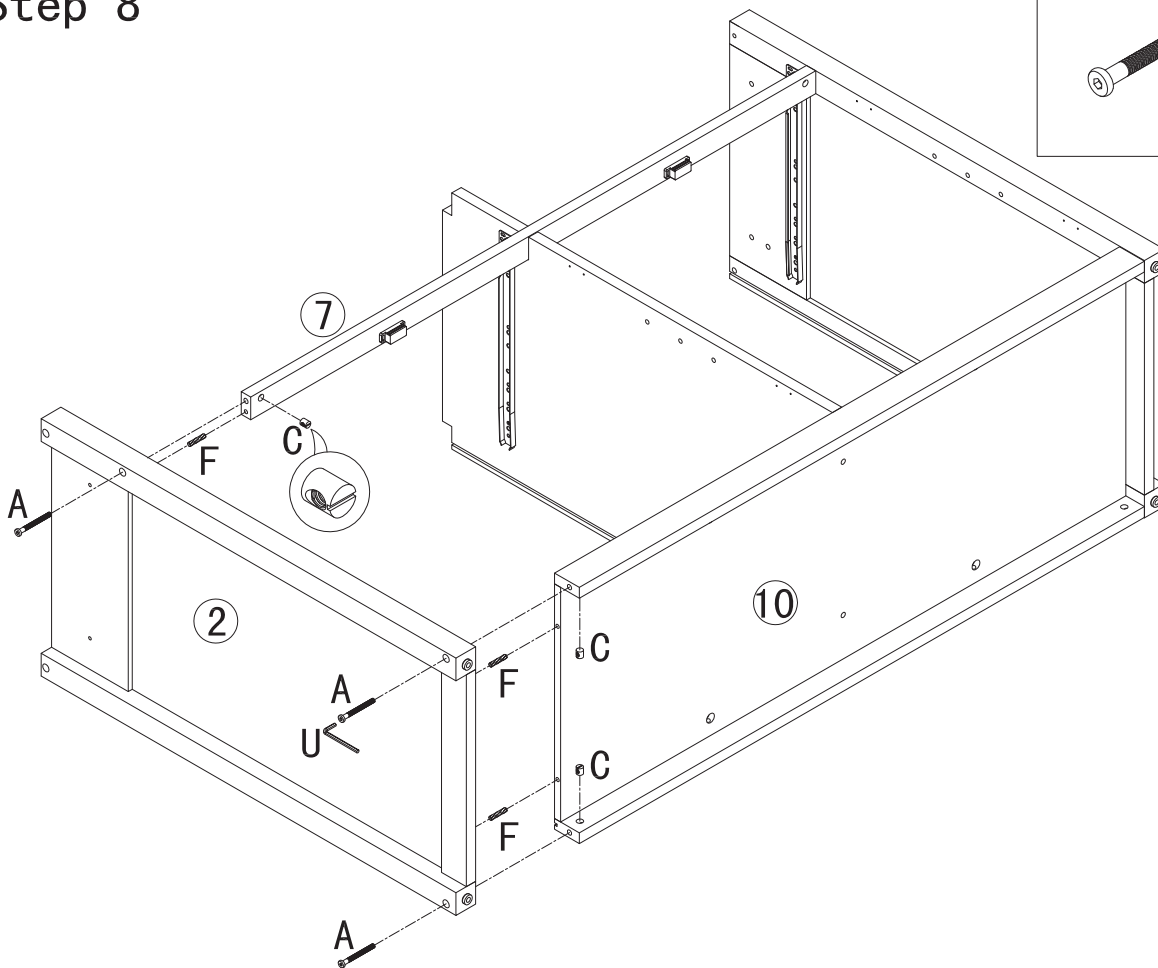


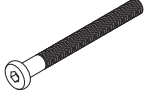

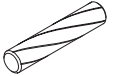

# Step 7



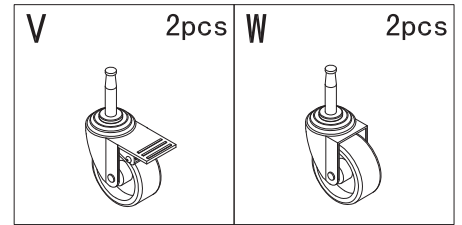
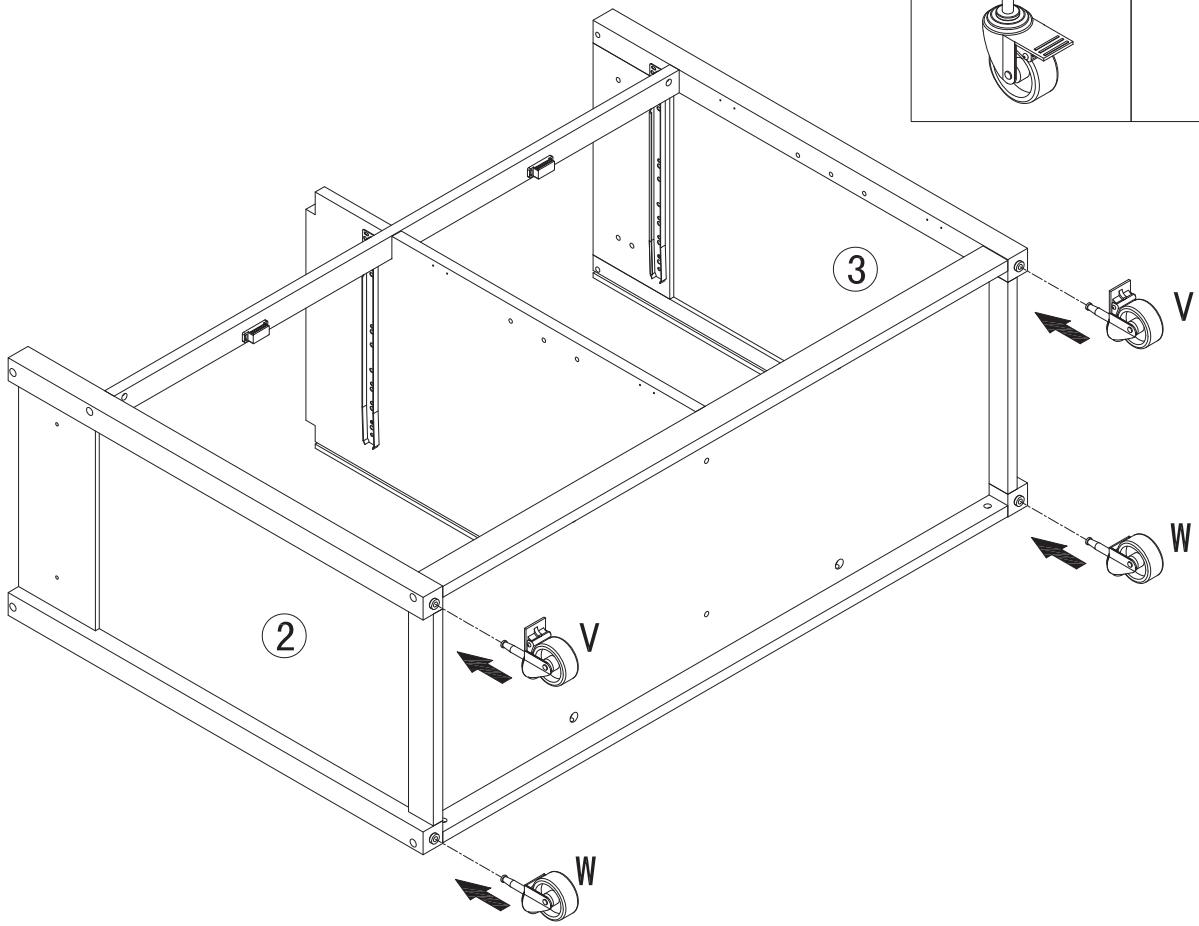
A	3pcs	C	3pcs
			
F	3pcs	U	1pc
			

# Step 8

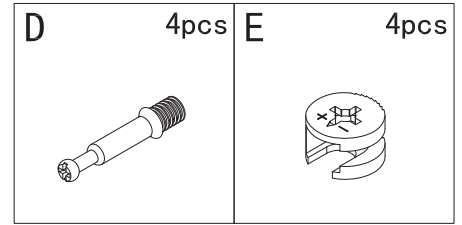
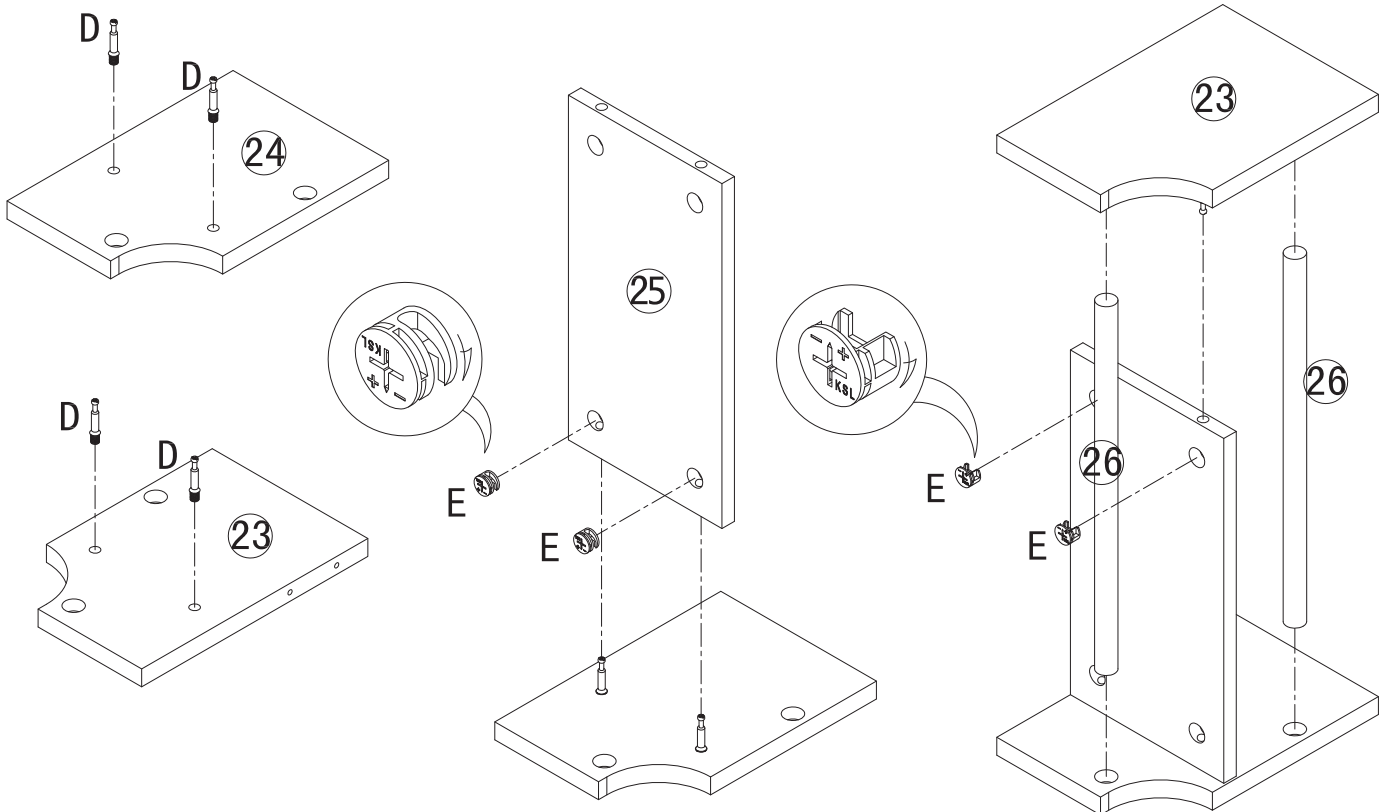


A	3pcs	C	3pcs
			
F	3pcs	U	1pc
			

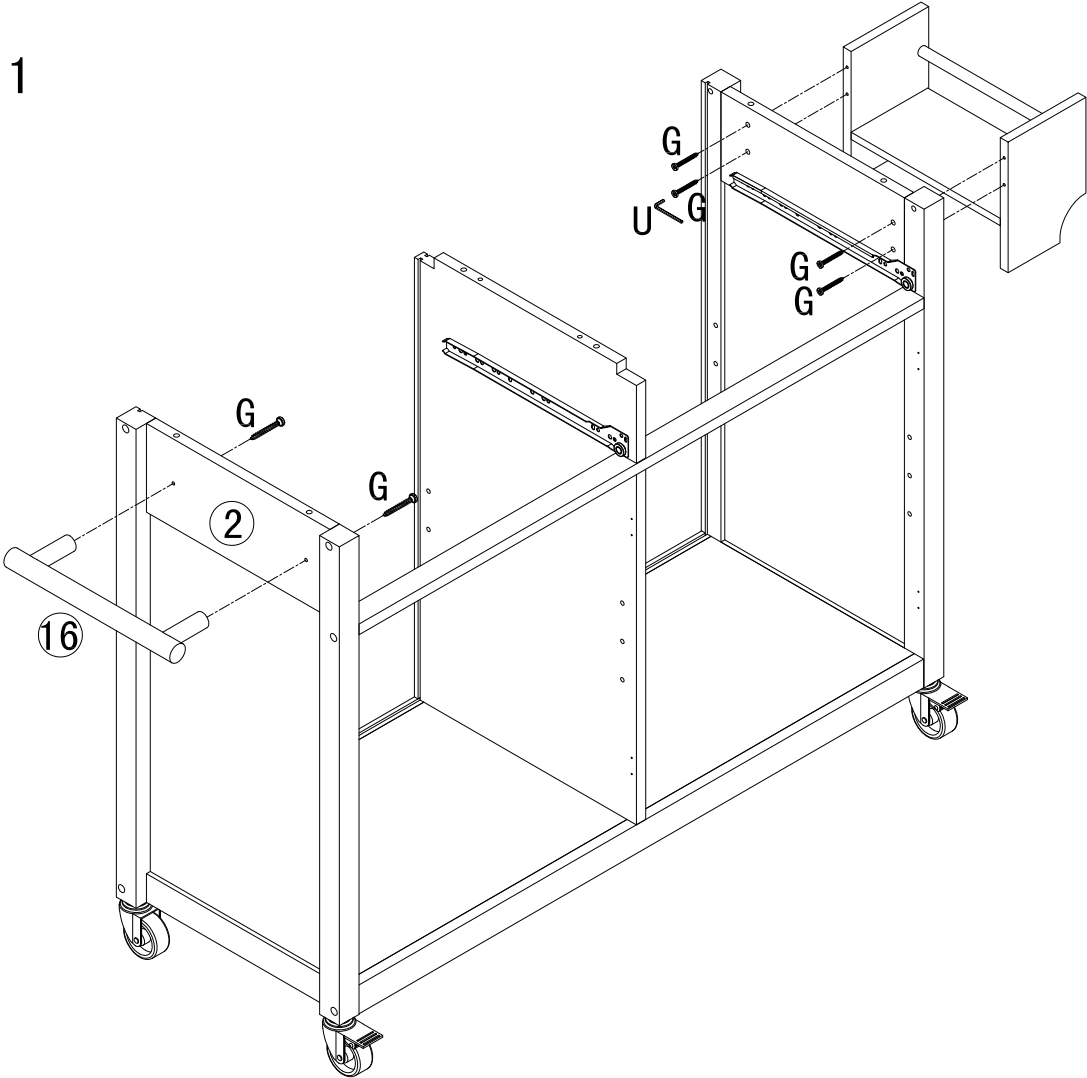
# Step 9

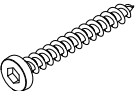



# Step 10

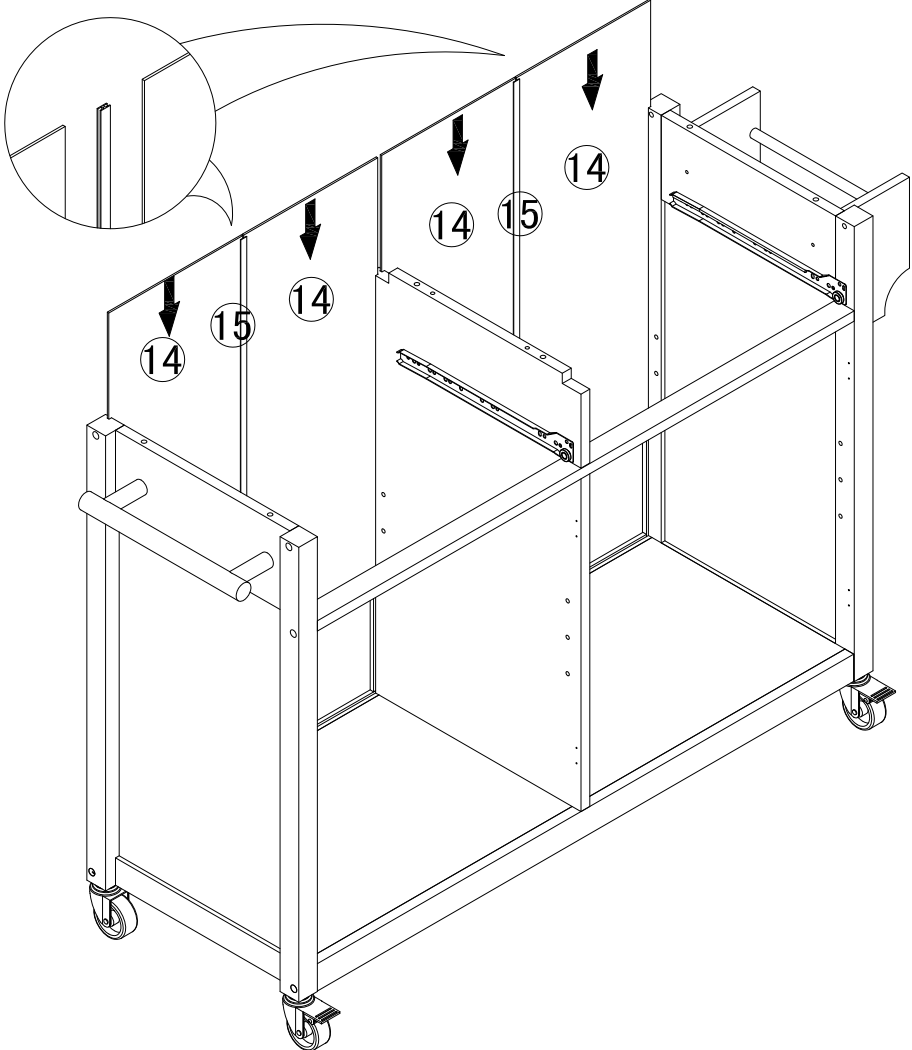


# Step 11

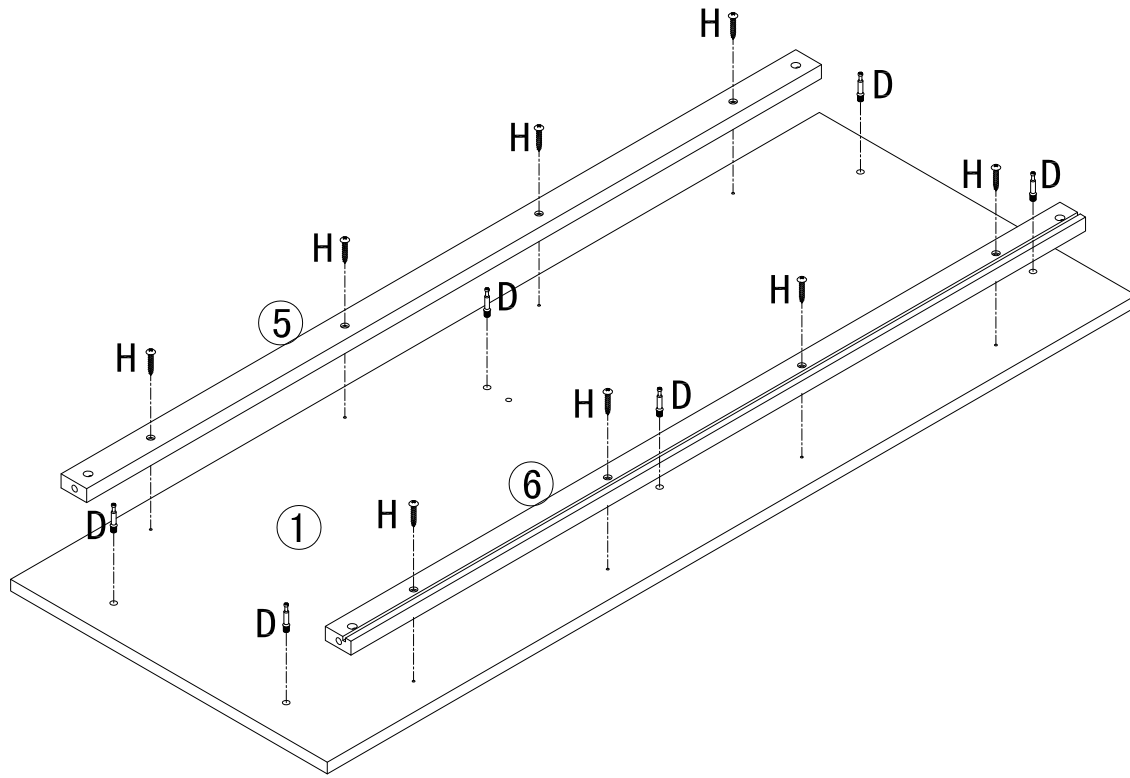


<b>G</b>	6pcs
	
<b>U</b>	1pc
	

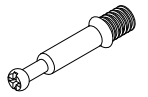
# Step 12



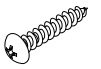
# Step 13



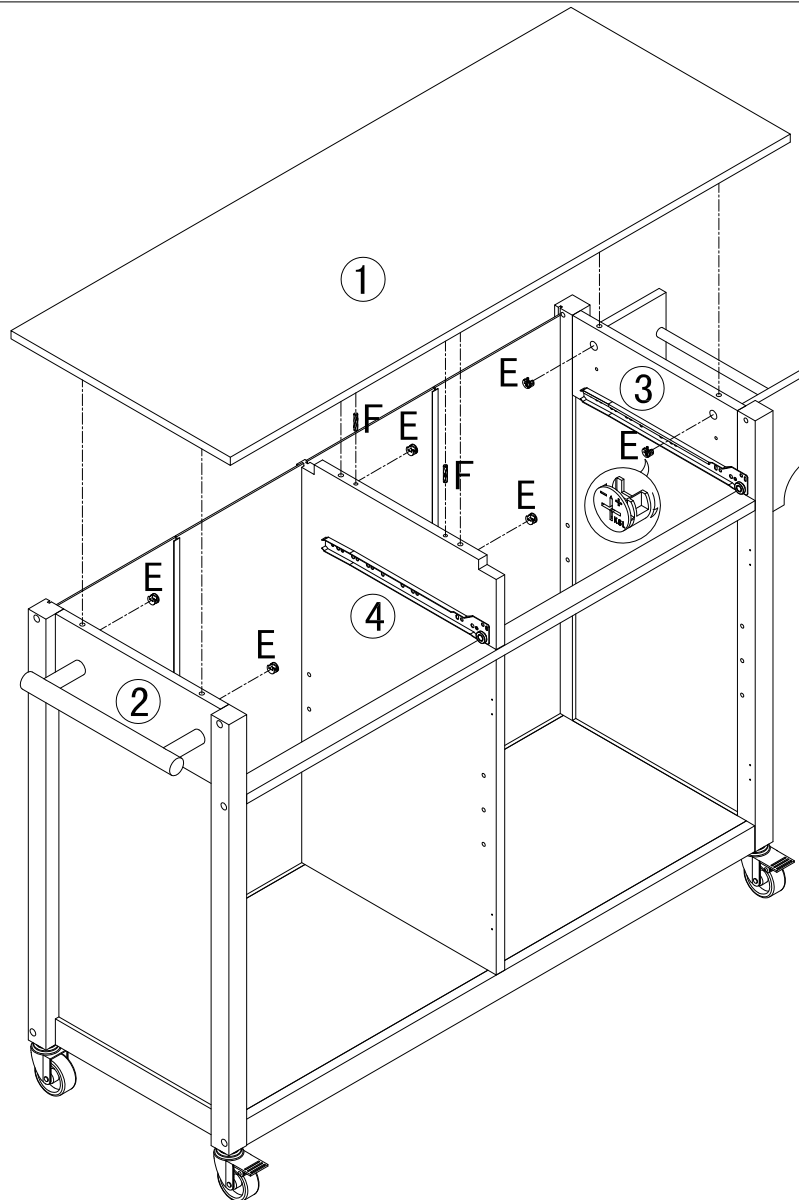
D 6pcs



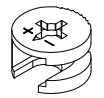
H 8pcs



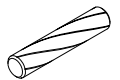
# Step 14



E 6pcs

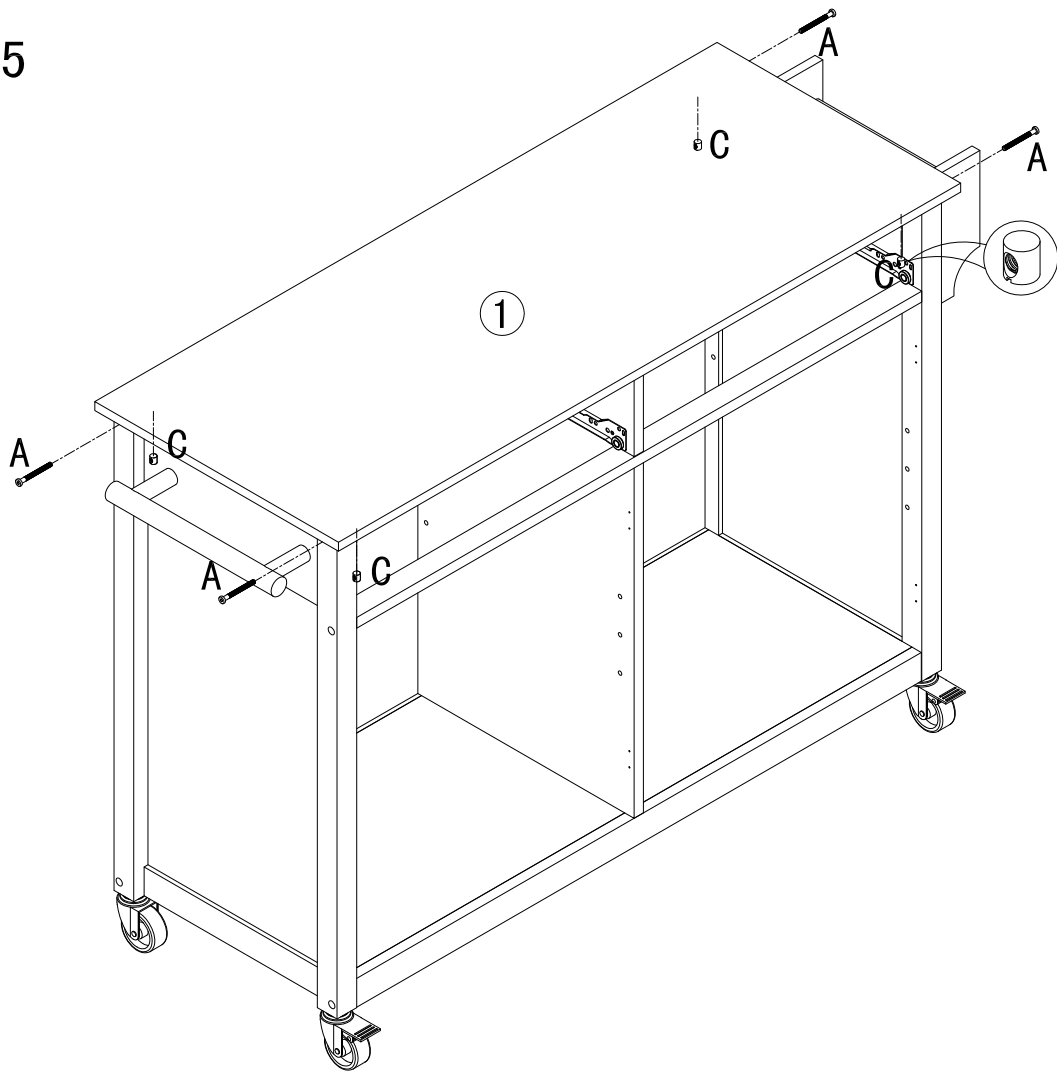





F 2pcs





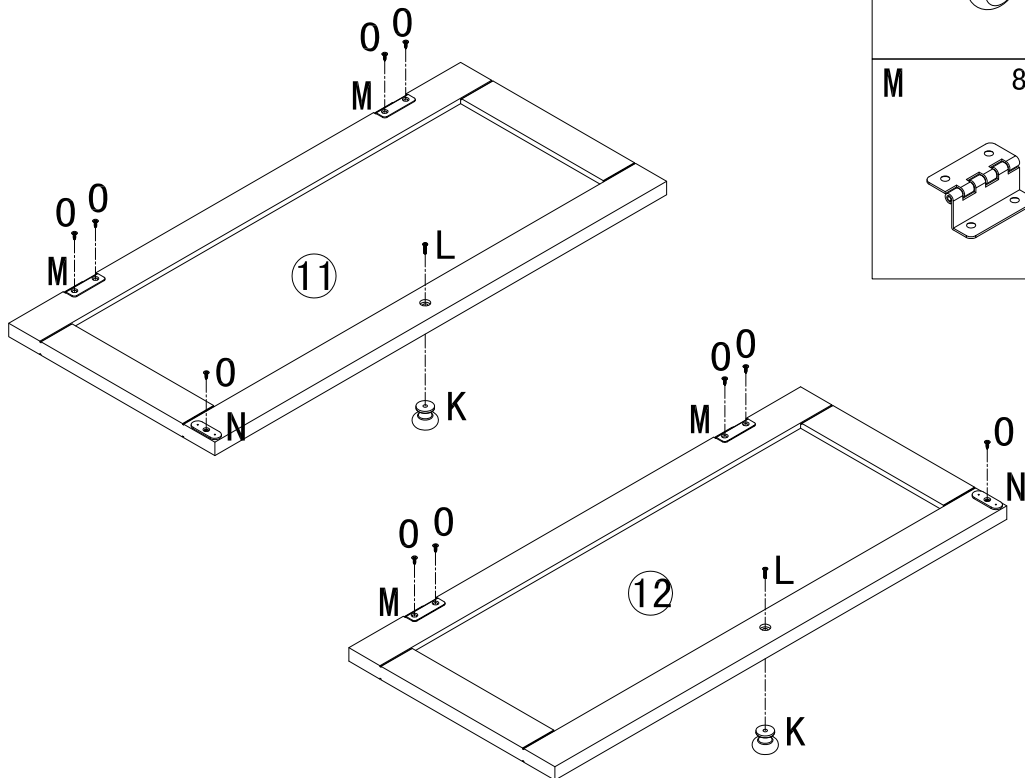
# Step 15

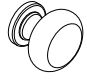

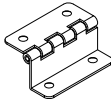
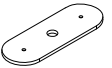
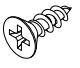


A	4pcs
	
C	4pcs
	
U	1pc
	

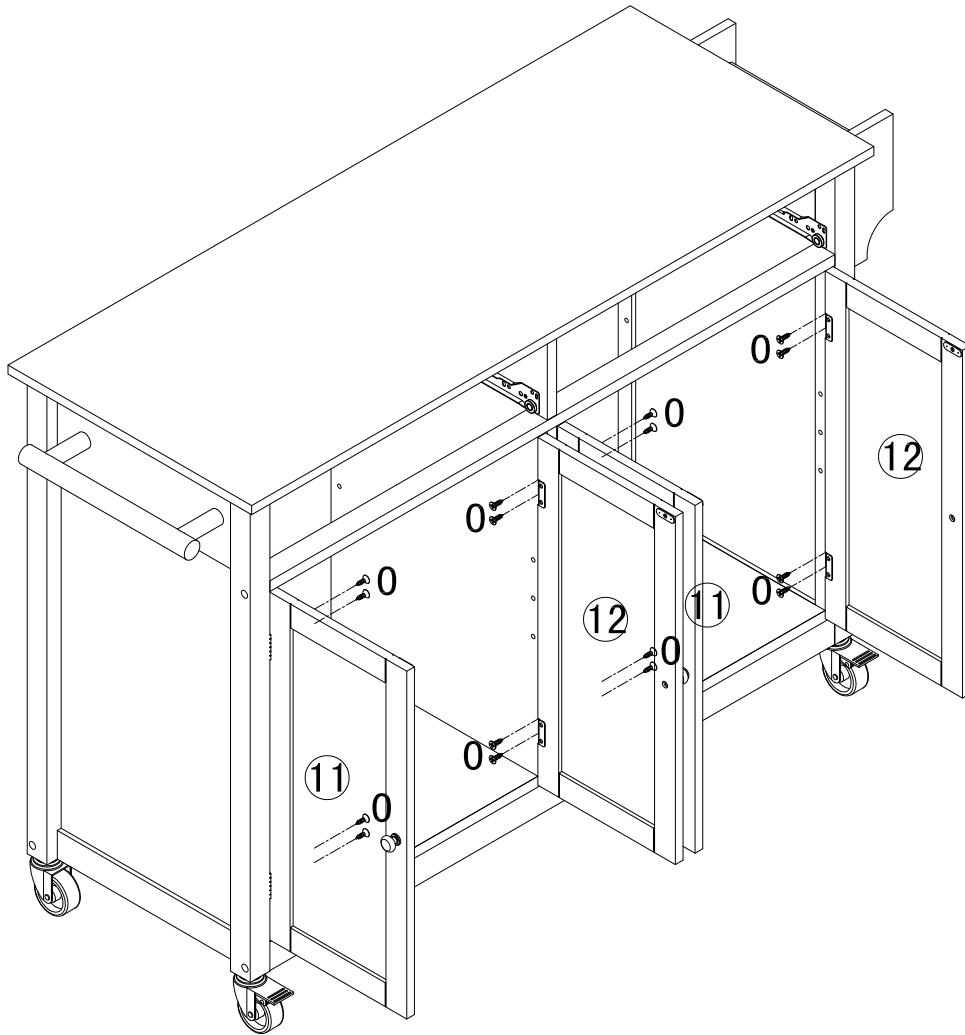
# Step 16

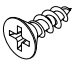
x2



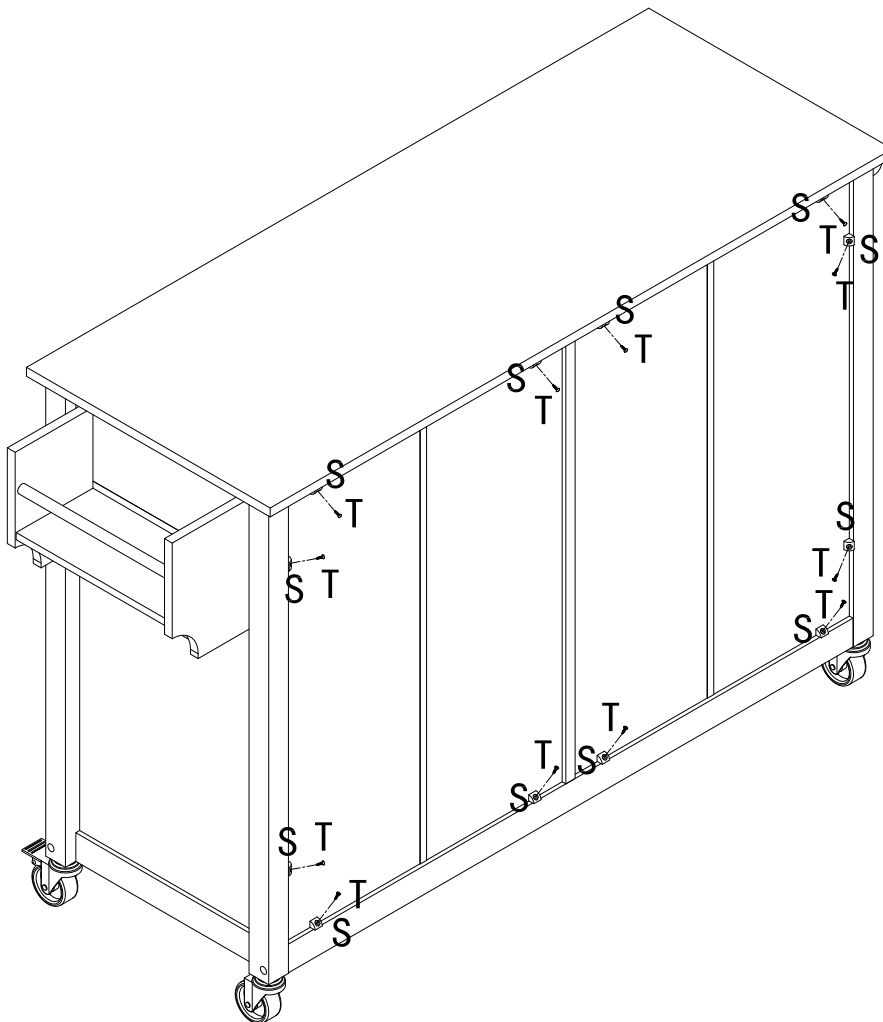
K	4pcs	L	4pcs
			
M	8pcs	N	4pcs
			
O	20pcs		
			

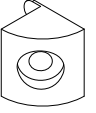
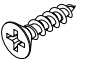
# Step 17



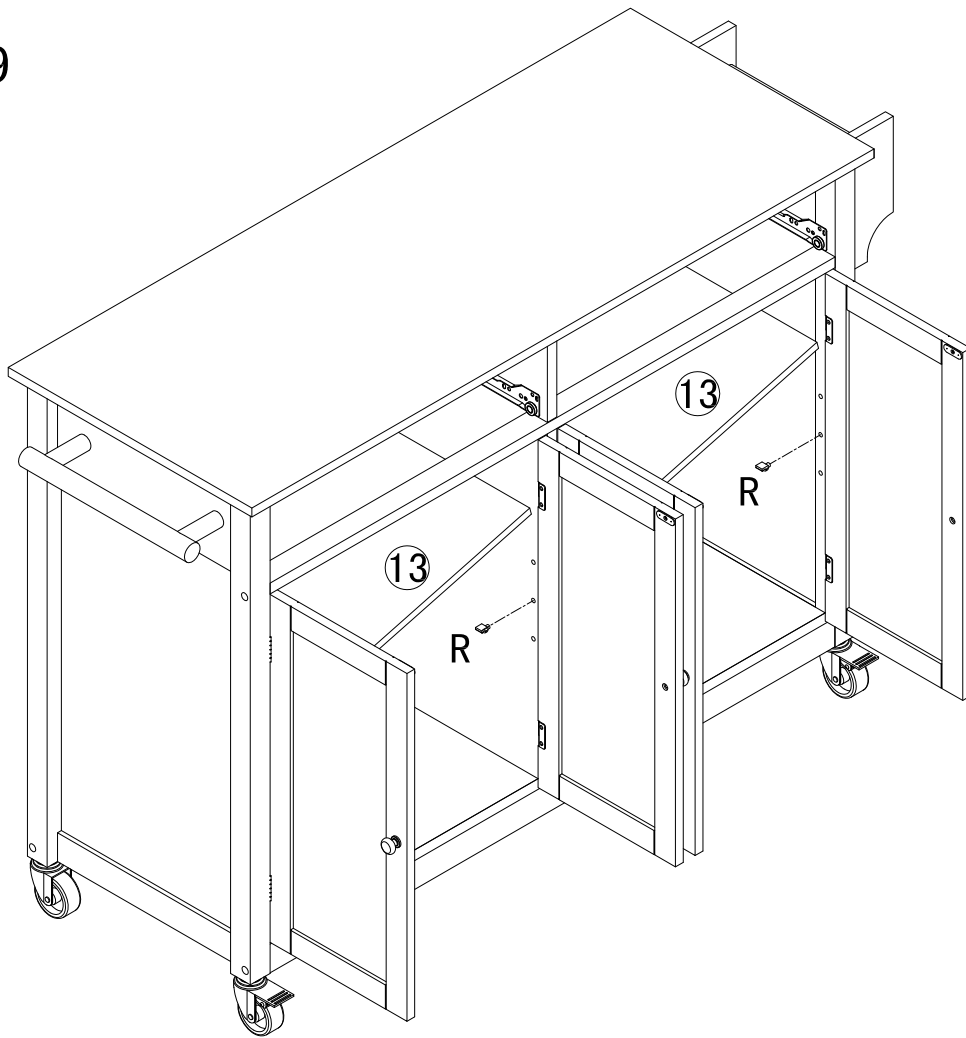
0	16pcs
	

# Step 18



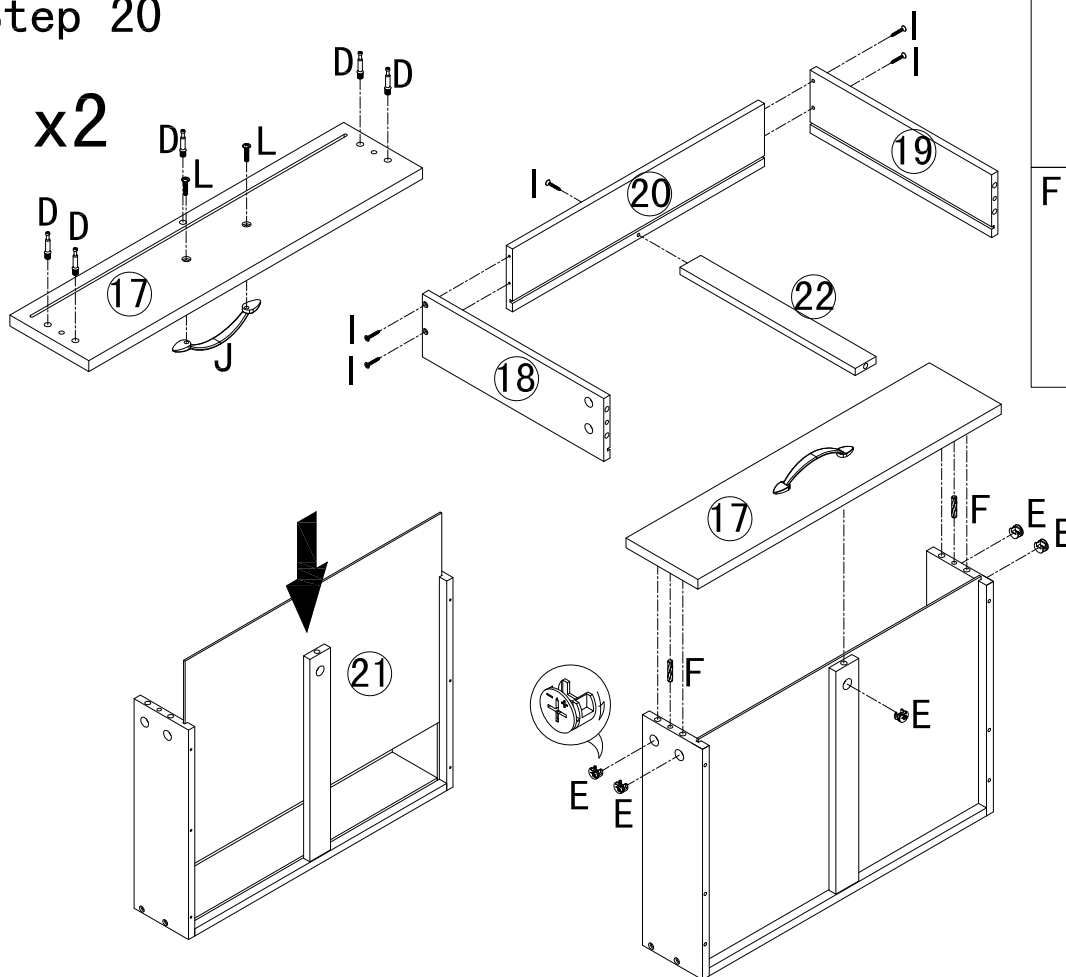
S	12pcs
	
T	12pcs
	

# Step 19



**R** 8pcs

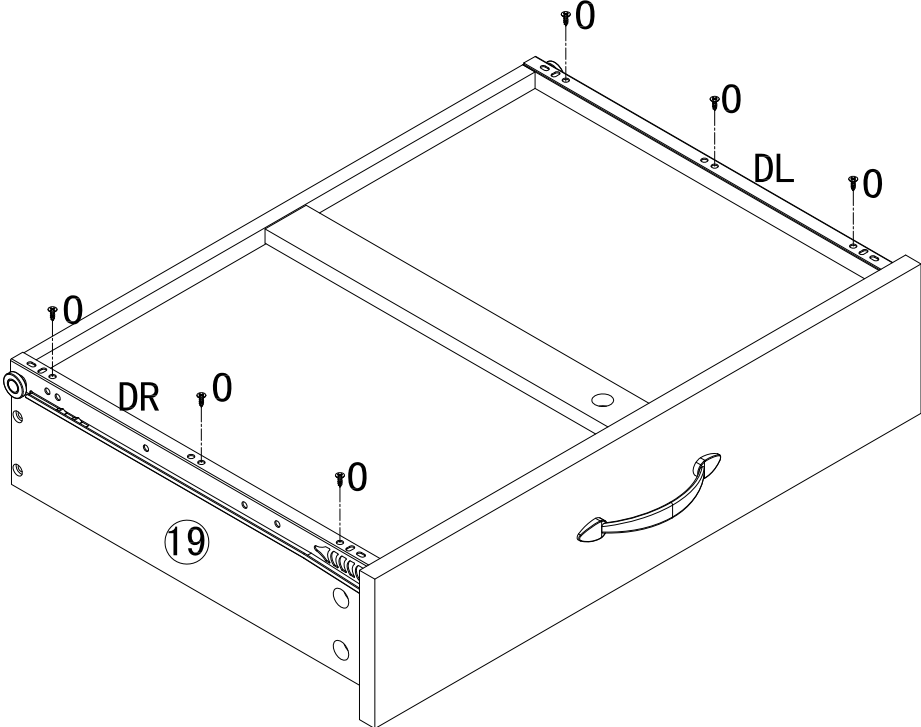
# Step 20

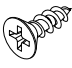
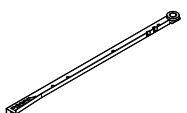
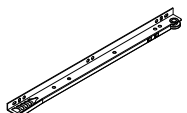


<b>D</b> 10pcs	<b>E</b> 10pcs
<b>F</b> 4pcs	<b>J</b> 2pcs
	<b>L</b> 4pcs
	<b>I</b> 10pcs

Step 21

x2



- |   |       |
|---|-------|
| 0   | 12pcs |
|  |       |
| DL  | 2pcs  |
|  |       |
| DR  | 2pcs  |
|  |       |

Step 22

