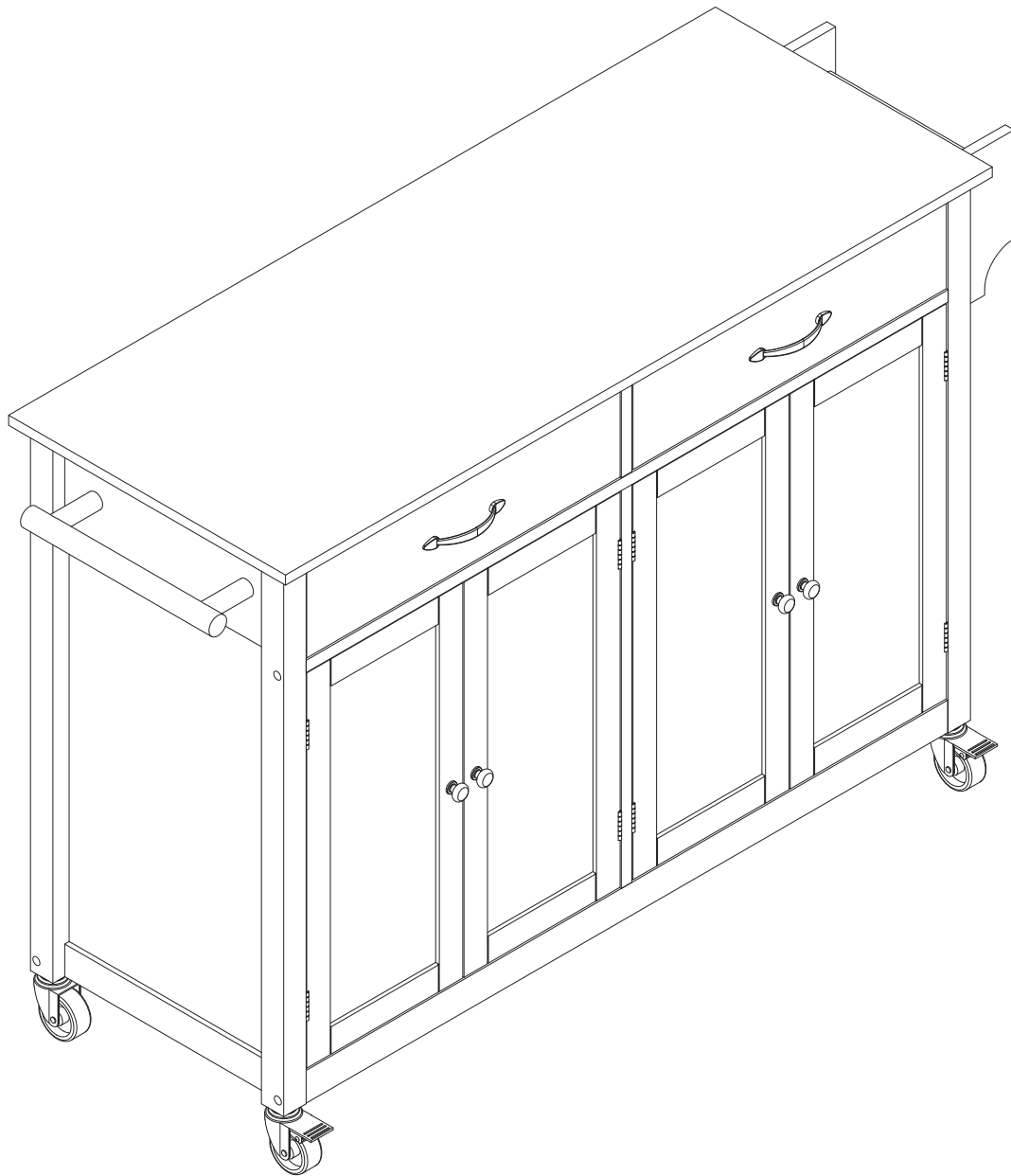
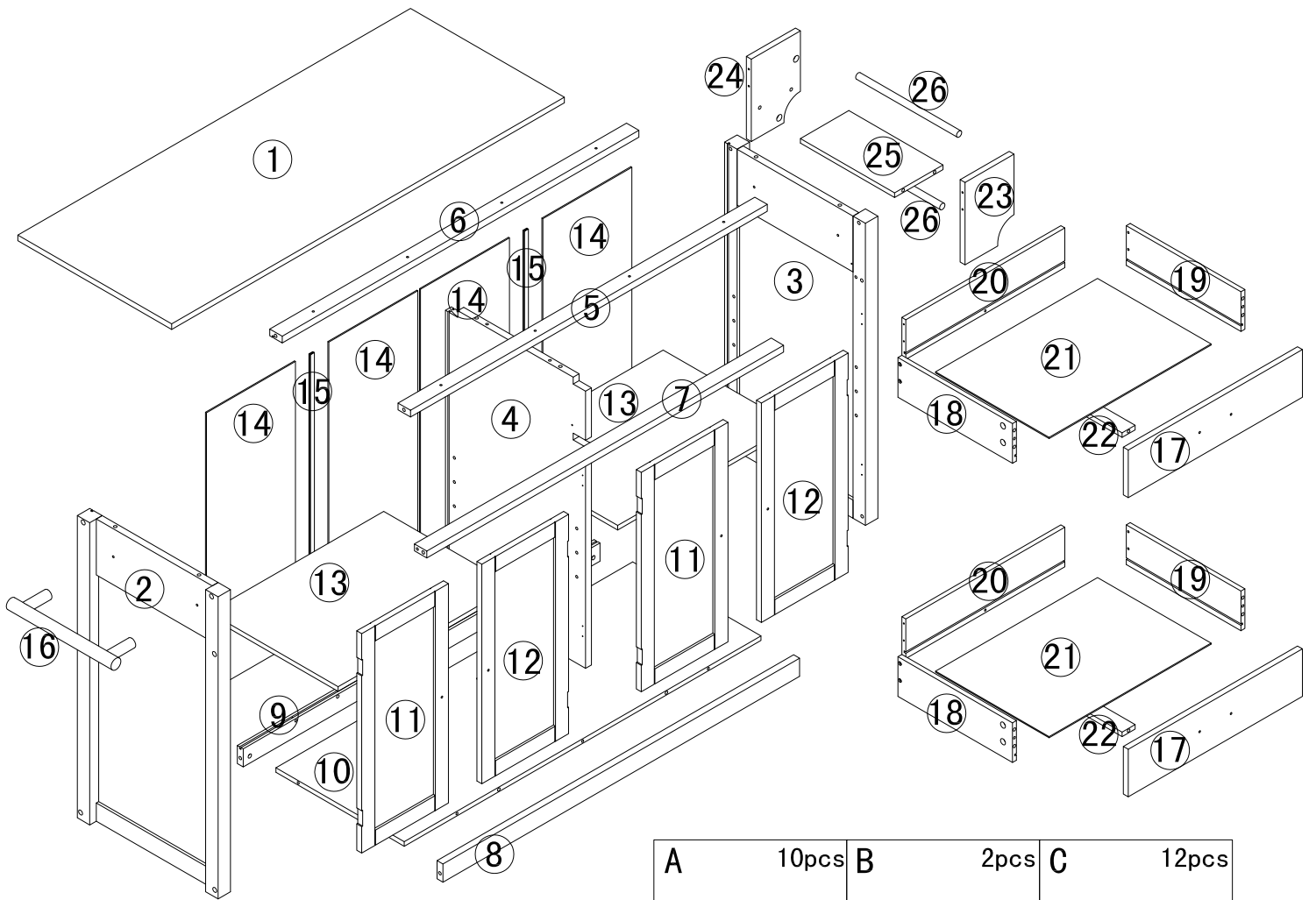


WF286911AAB





A	10pcs	B	2pcs	C	12pcs

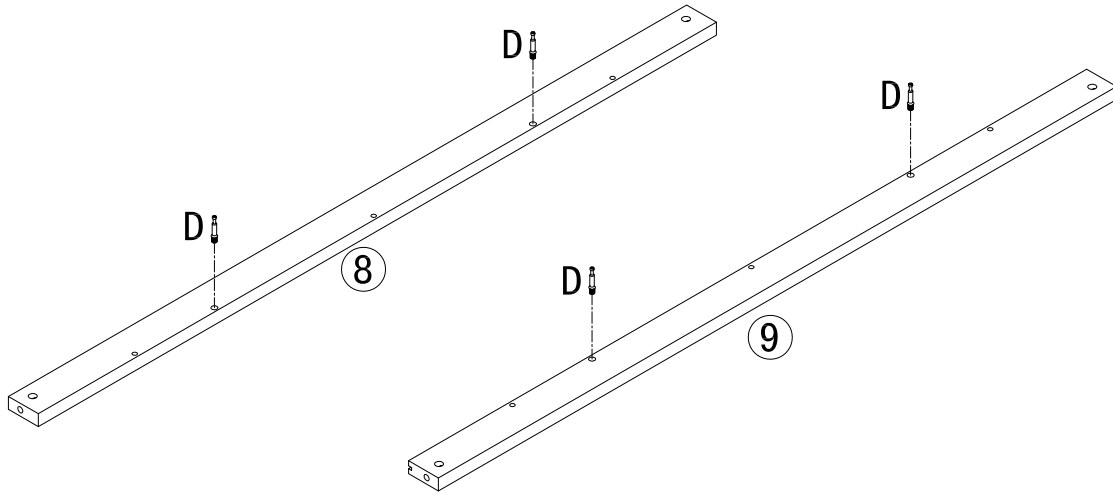
D	24pcs	E	24pcs	F	20pcs	G	6pcs	H	8pcs	I	10pcs

J	2pcs	K	4pcs	L	8pcs	M	8pcs	N	4pcs	O	57pcs

P	2pcs	Q	4pcs	R	8pcs	S	12pcs	T	12pcs	U	1pc

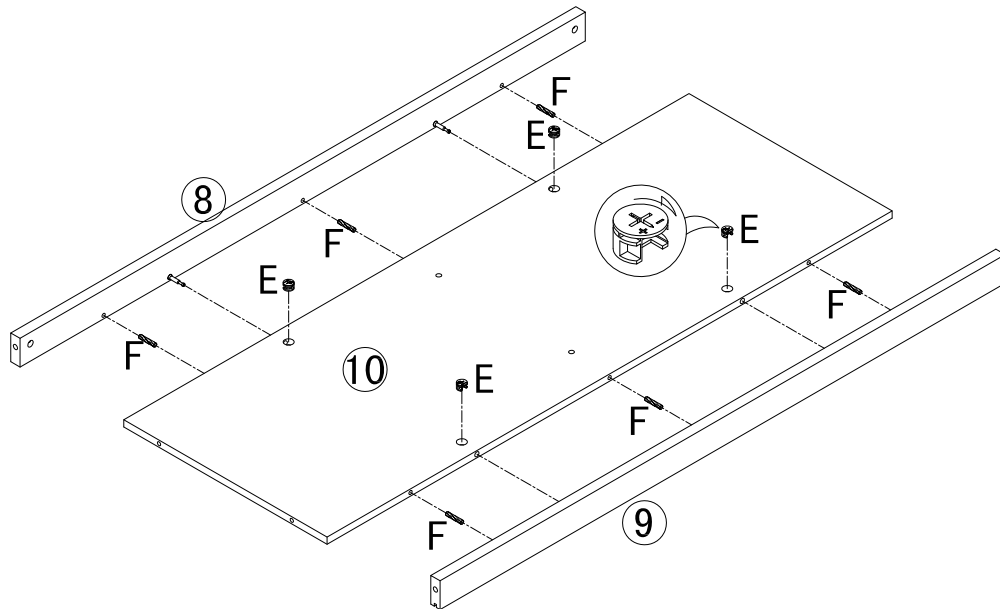
CL	2pcs	CR	2pcs	DL	2pcs	DR	2pcs	V	2pcs	W	2pcs

Step 1



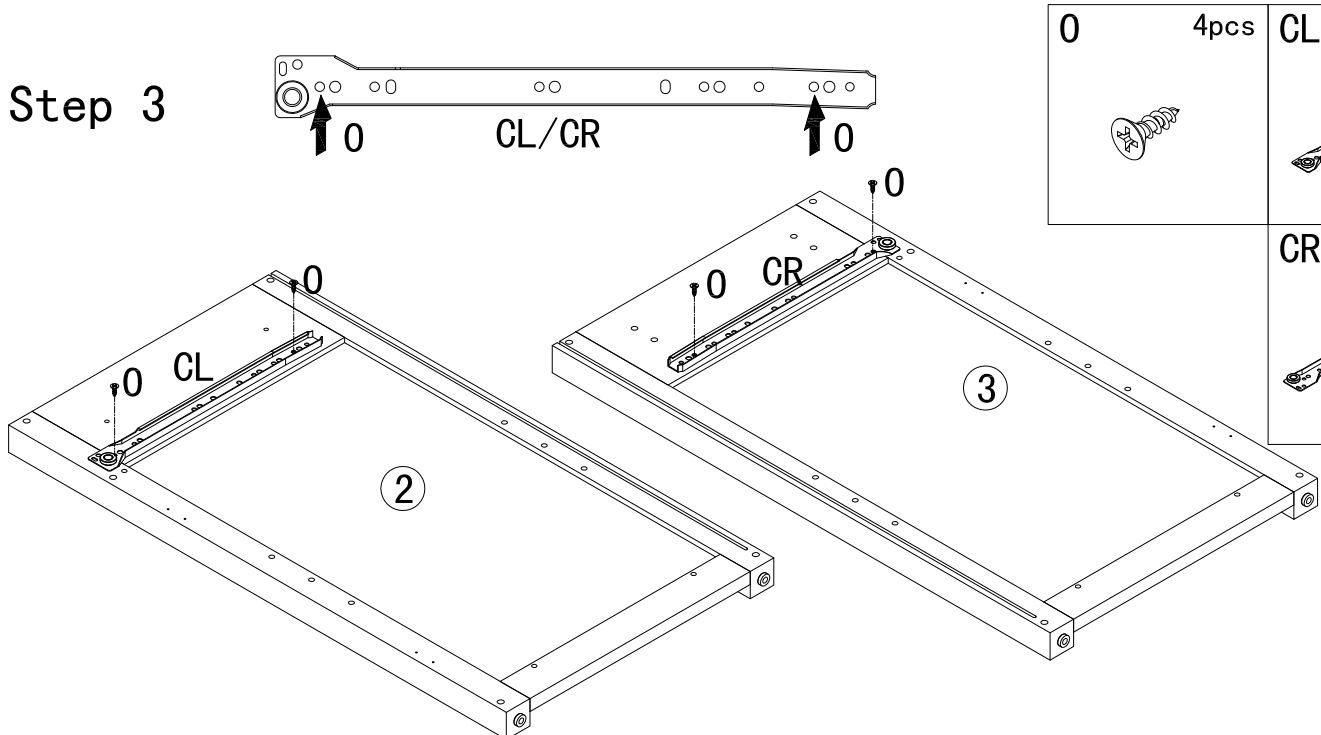
D	4pcs

Step 2



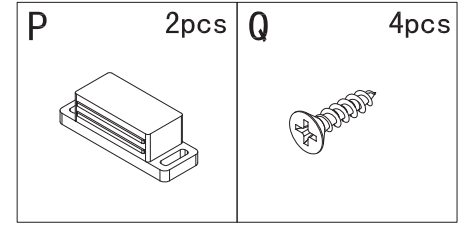
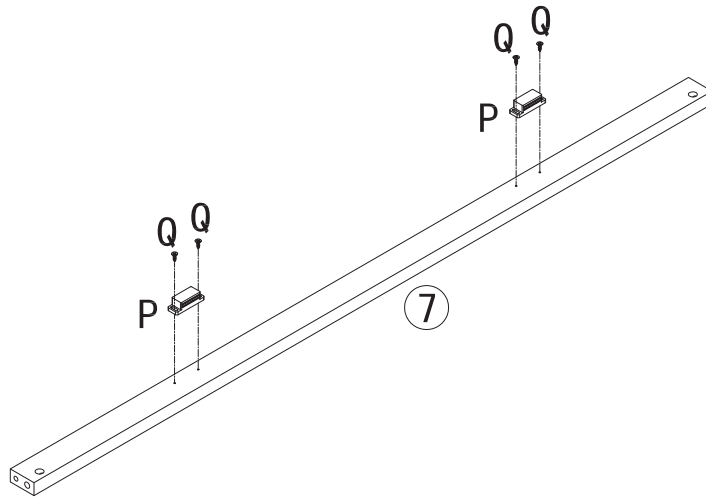
E	4pcs
F	6pcs

Step 3

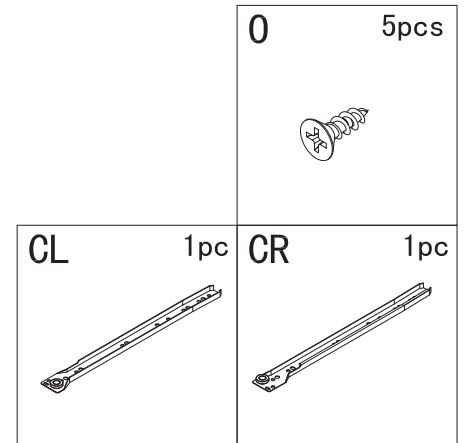
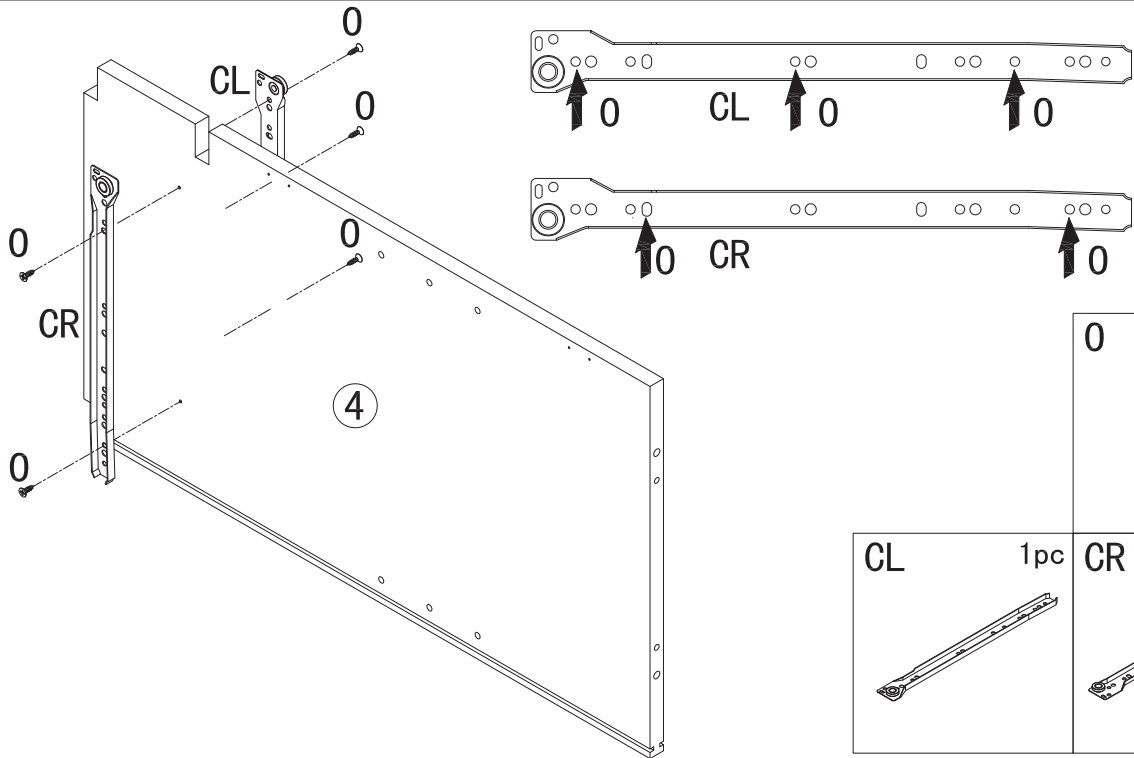


O	4pcs	CL	1pc
		CR	1pc

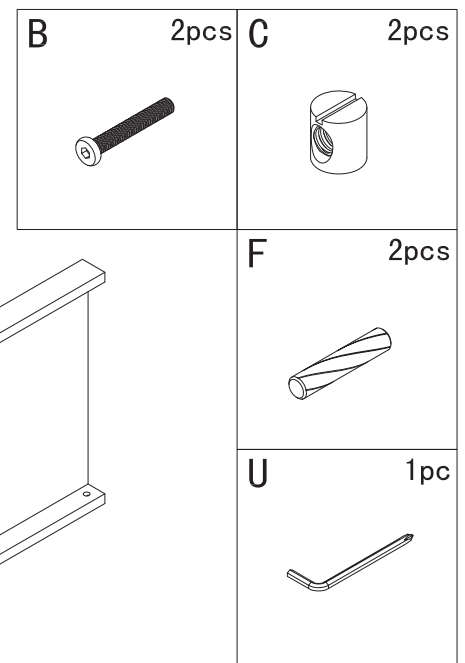
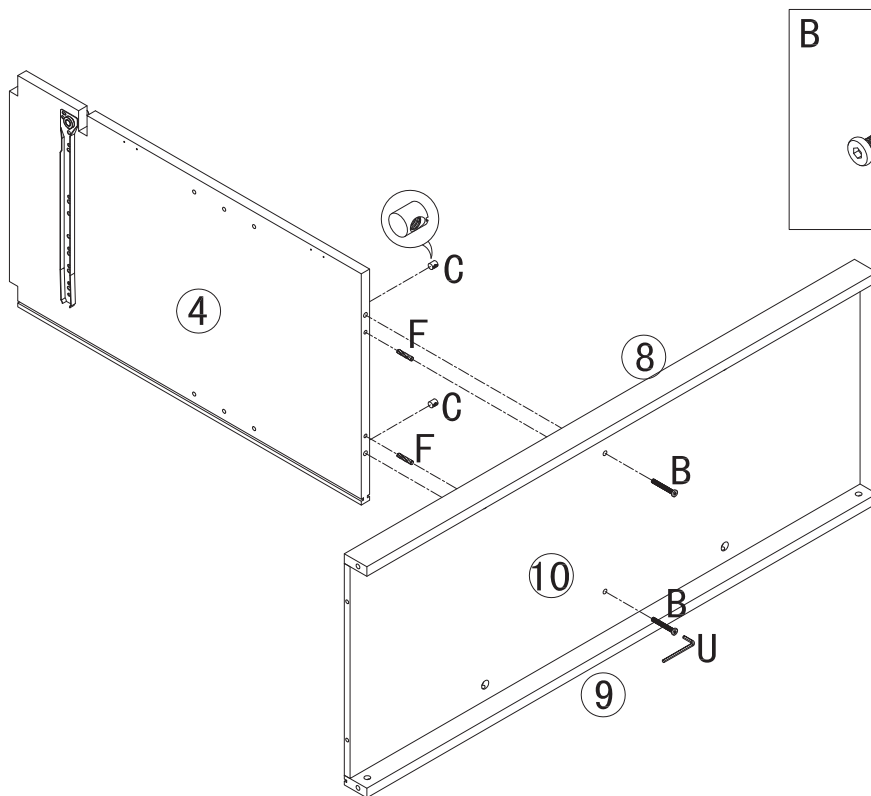
Step 4



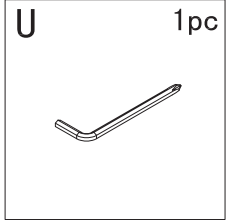
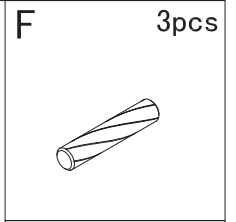
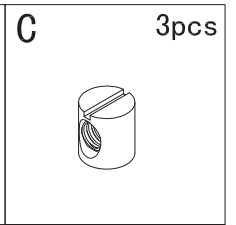
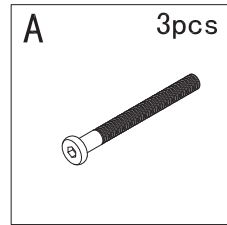
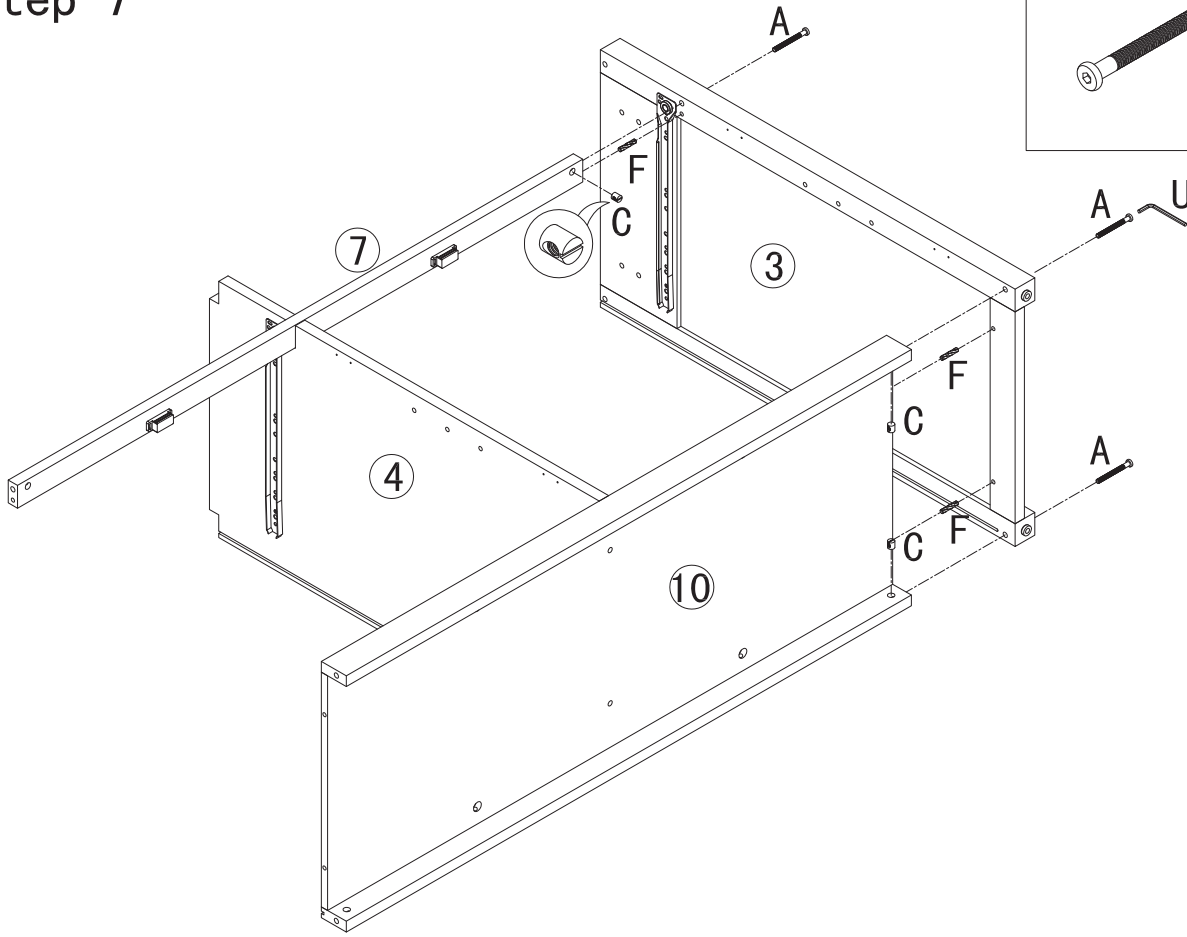
Step 5



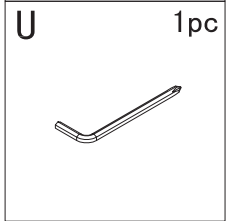
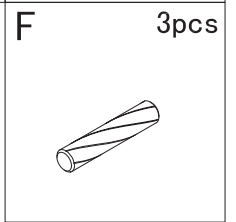
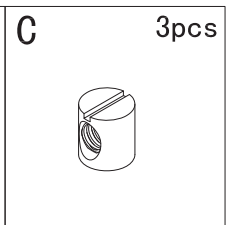
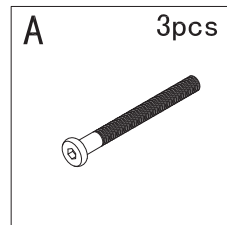
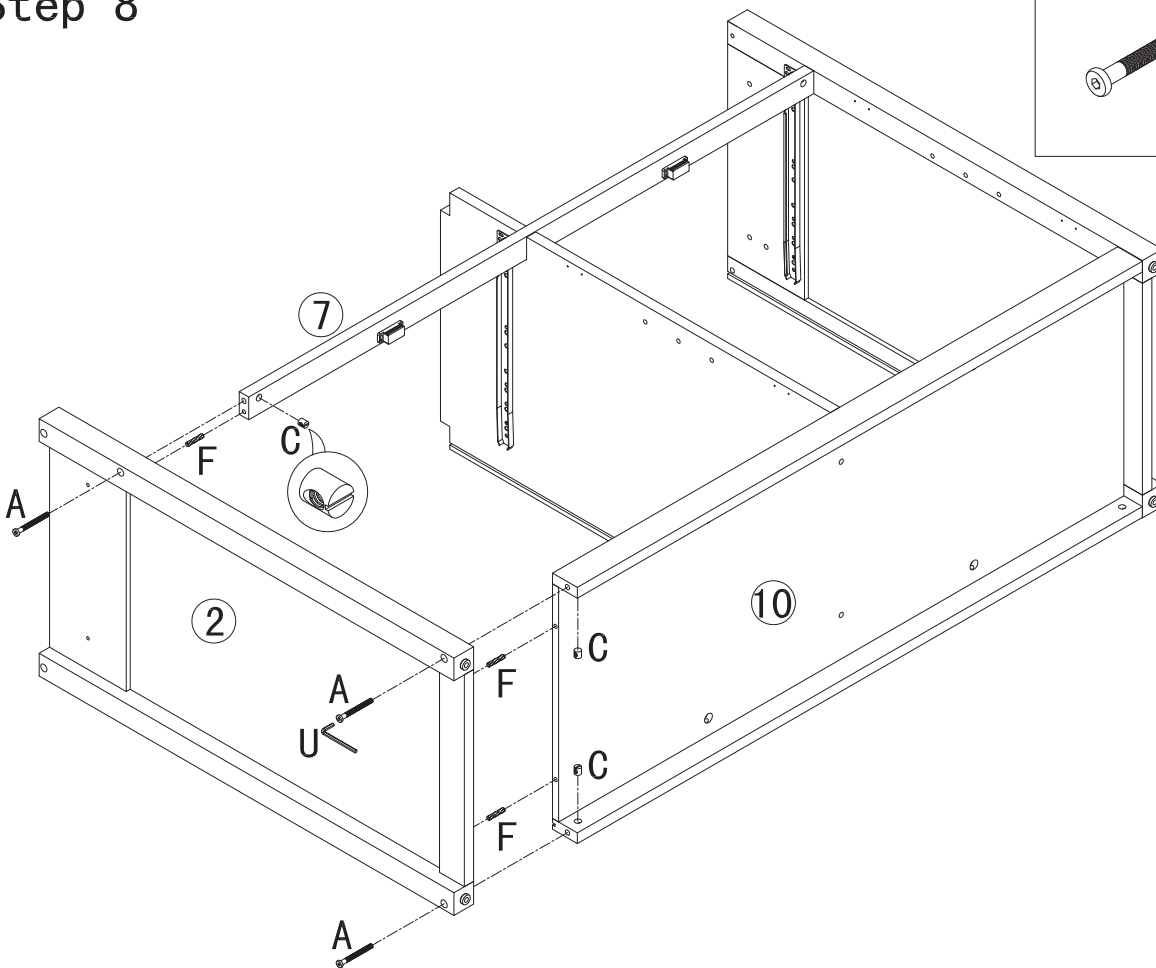
Step 6



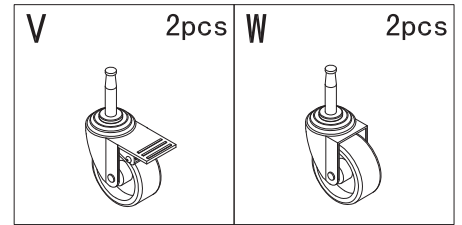
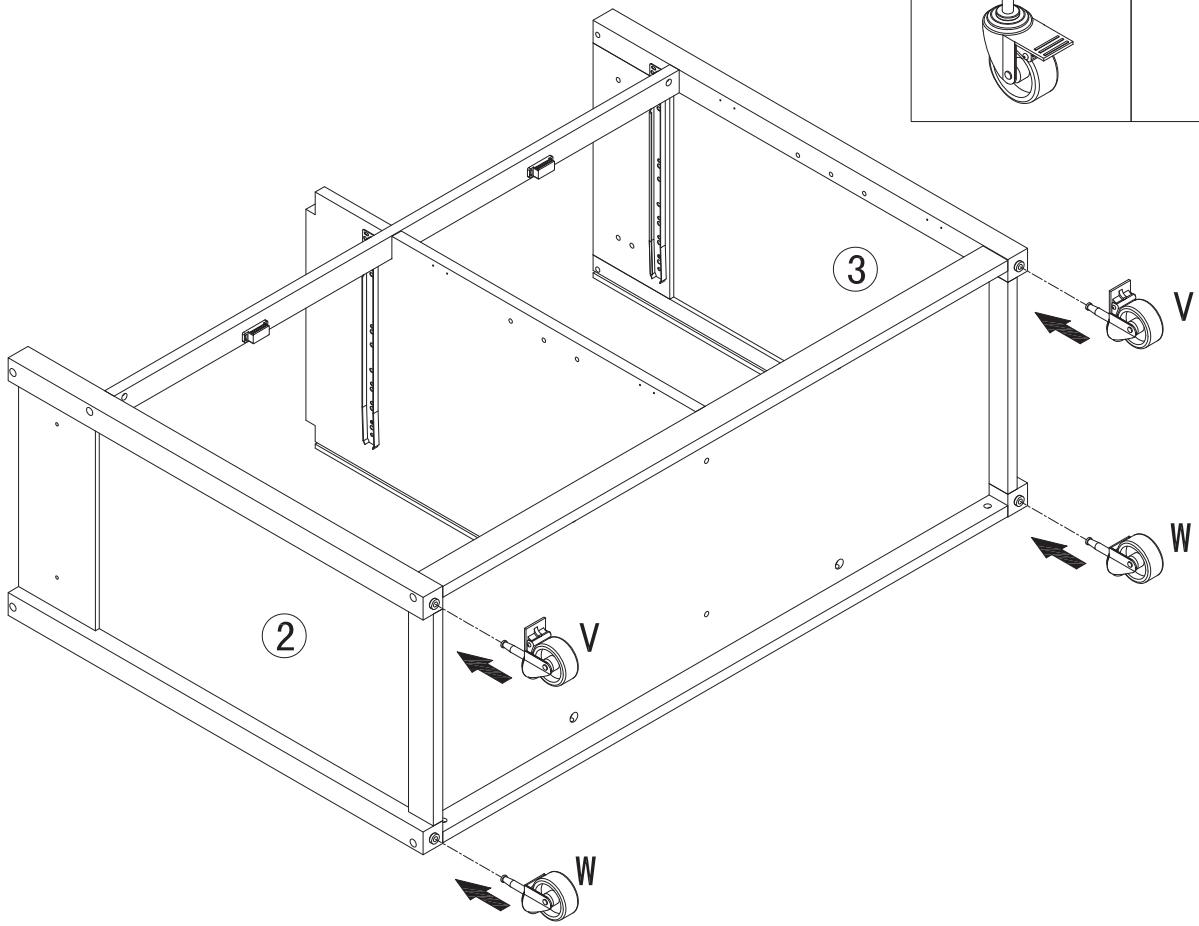
Step 7



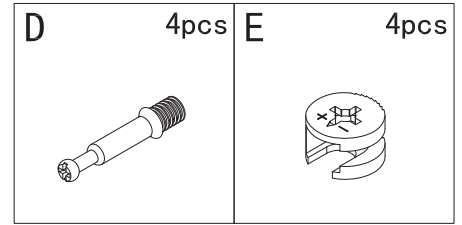
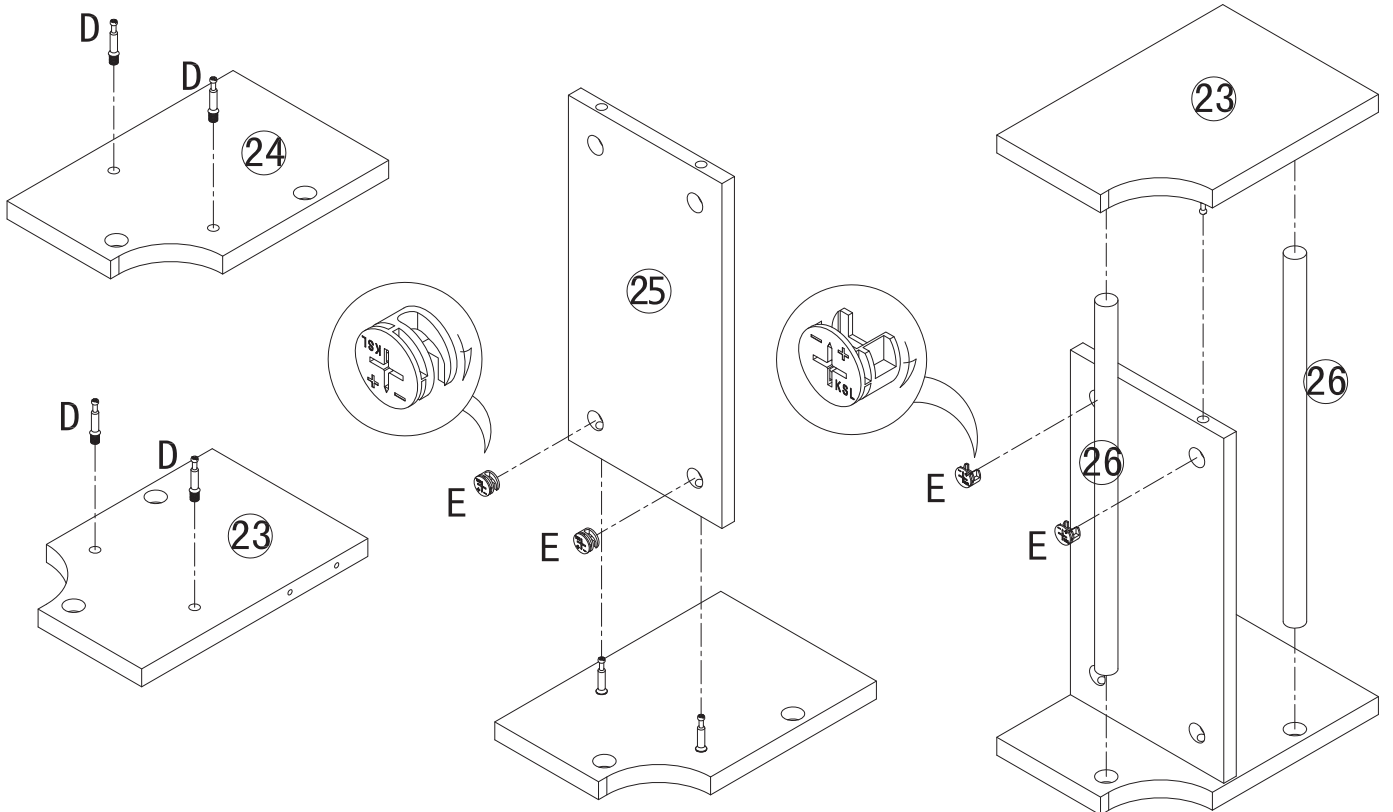
Step 8



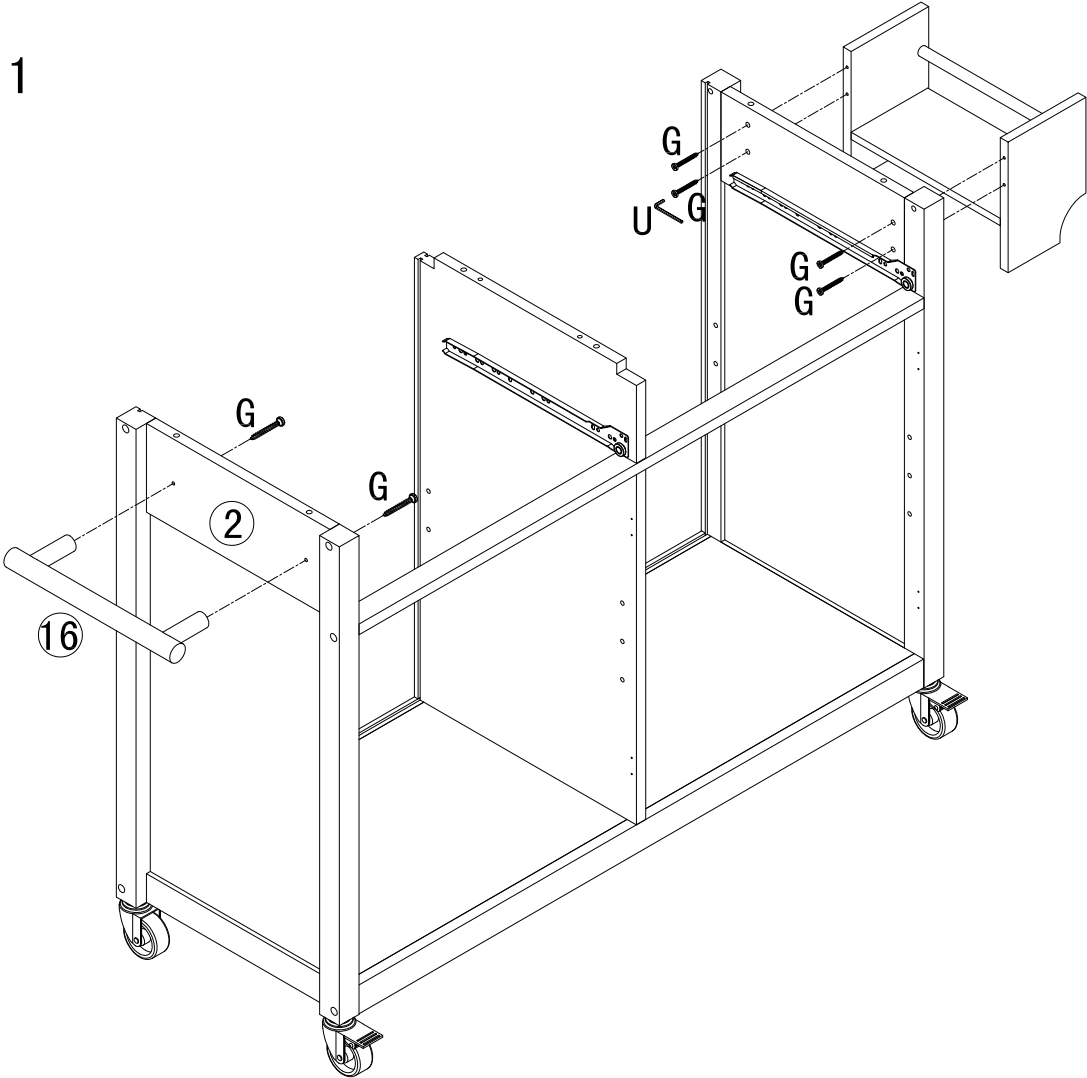
Step 9

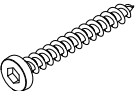



Step 10

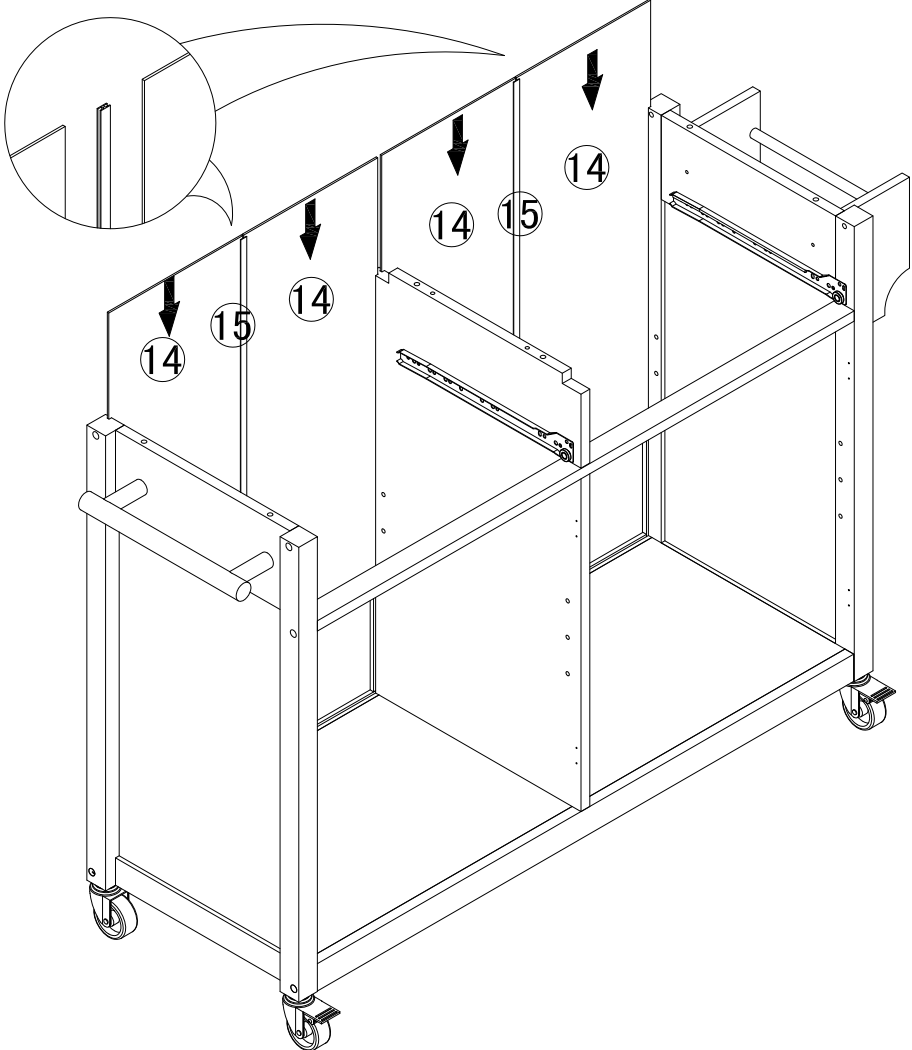


Step 11

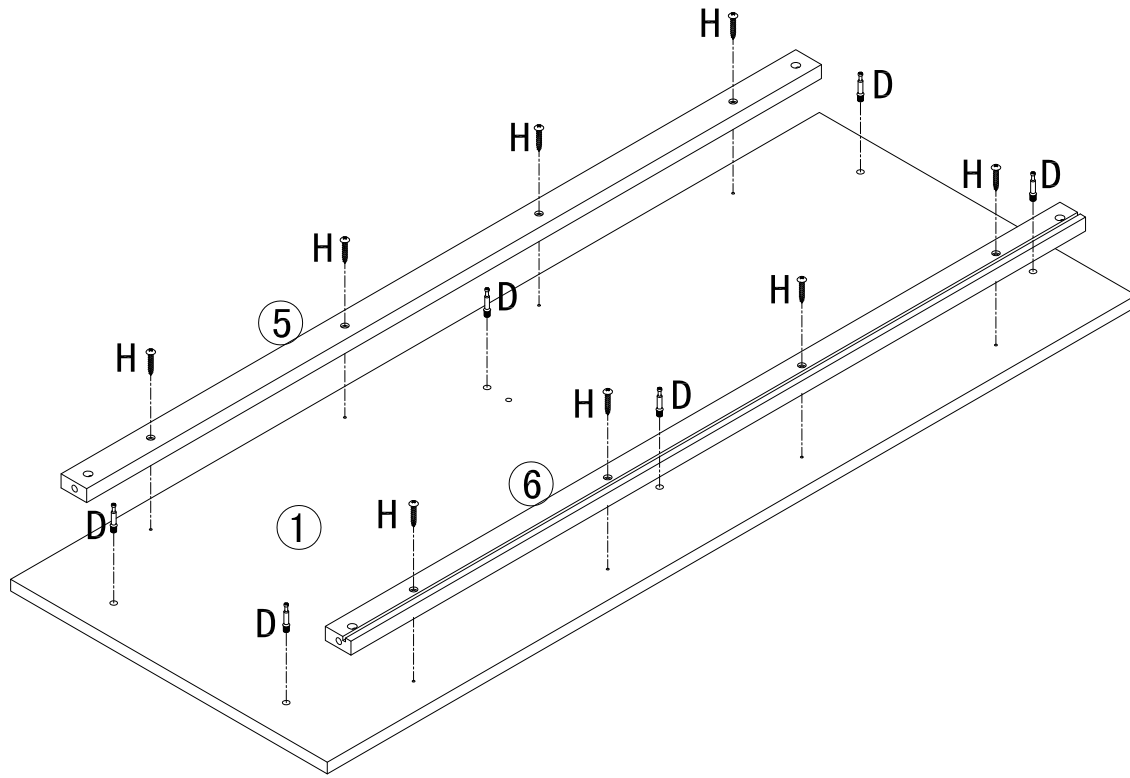


G	6pcs
	
U	1pc
	

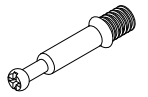
Step 12



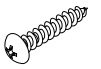
Step 13



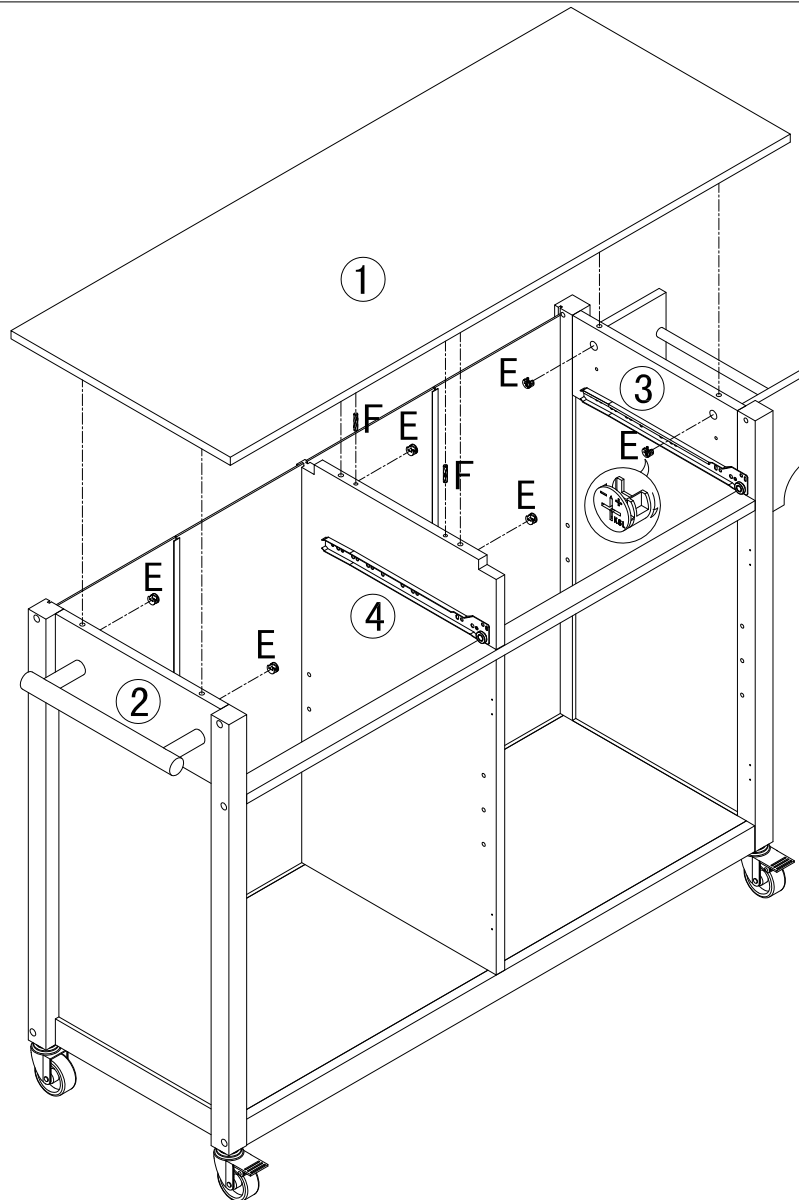
D 6pcs



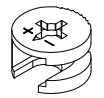
H 8pcs



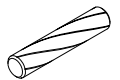
Step 14



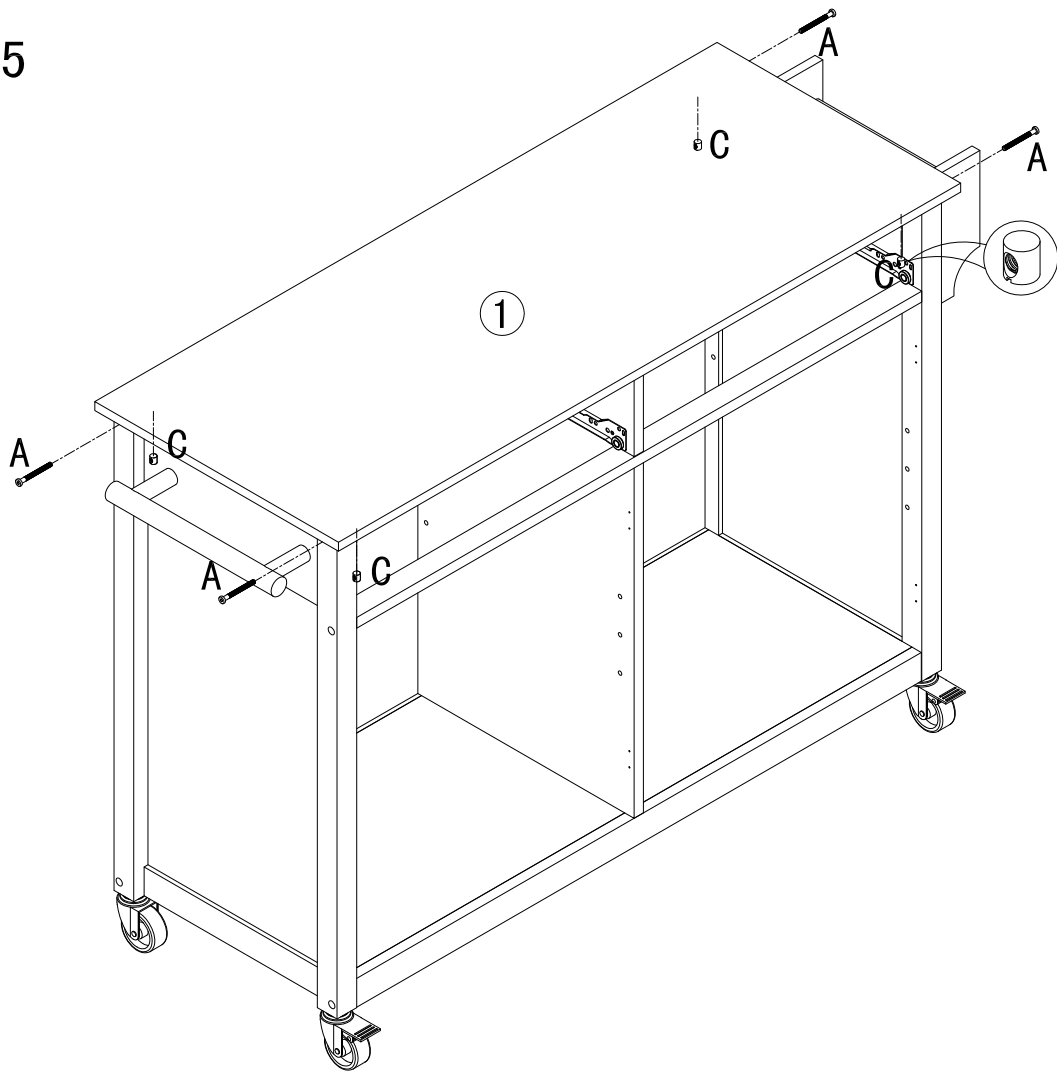
E 6pcs






F 2pcs



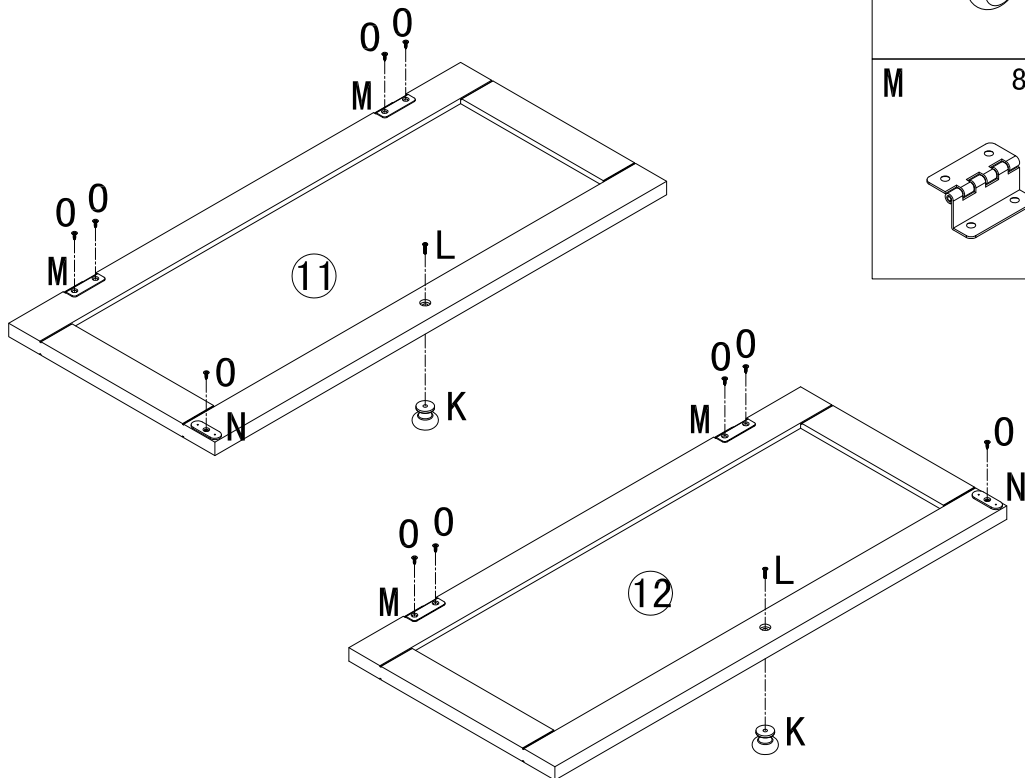
Step 15

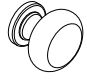

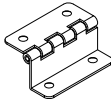
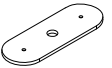
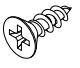


A	4pcs
	
C	4pcs
	
U	1pc
	

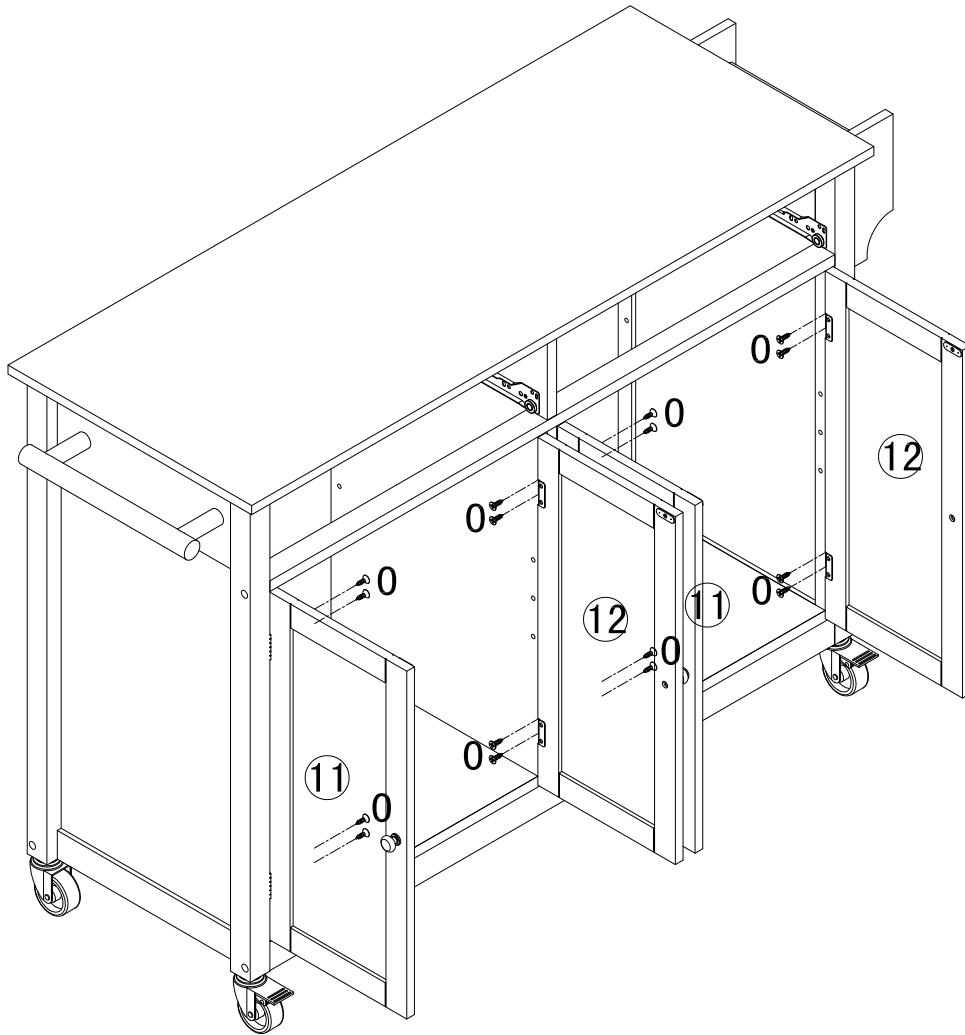
Step 16

x2



K	4pcs	L	4pcs
			
M	8pcs	N	4pcs
			
O	20pcs		
			

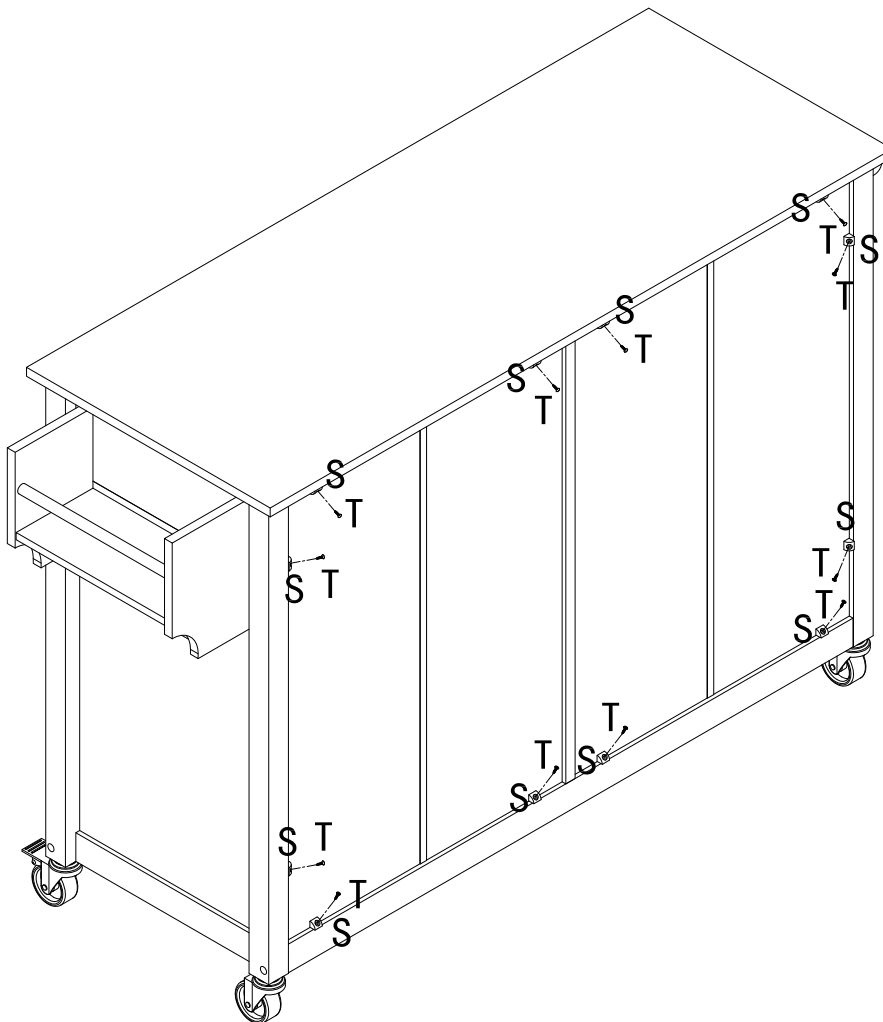
Step 17



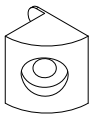
0 16pcs



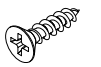
Step 18



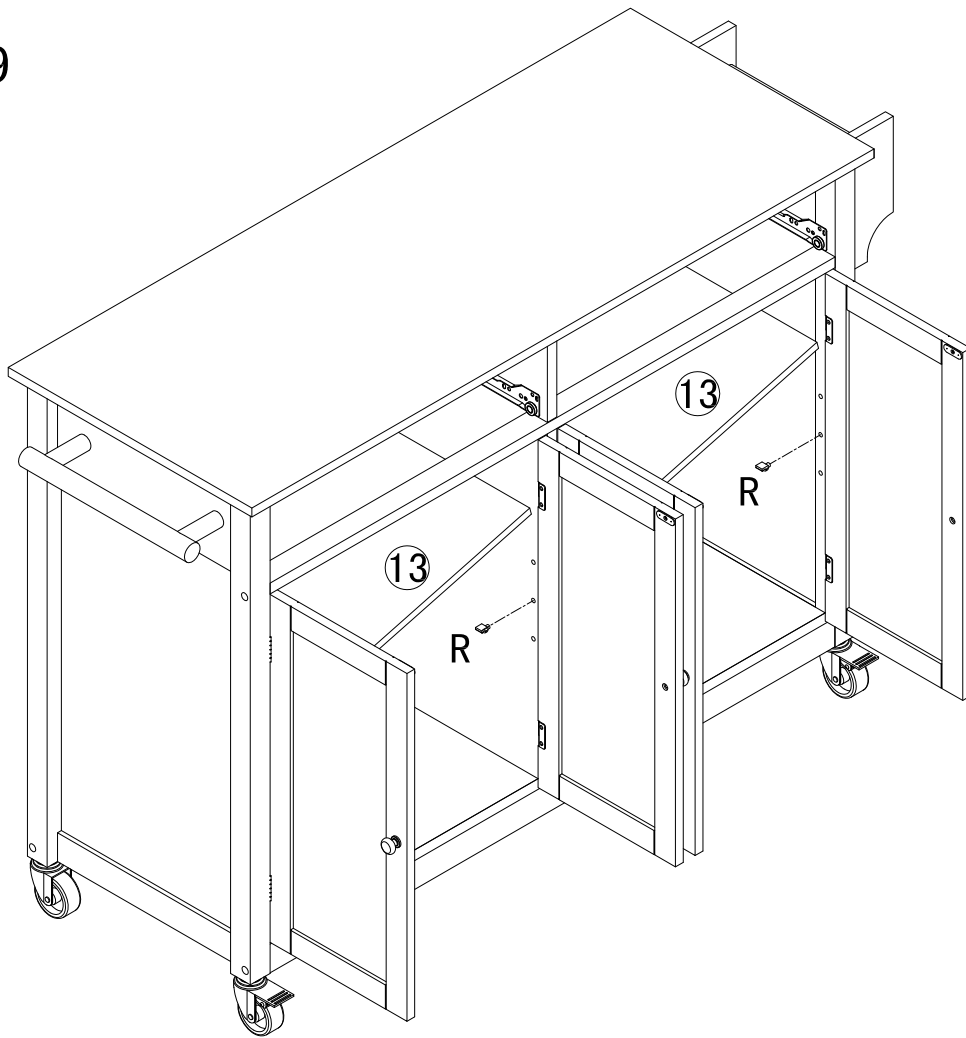
S 12pcs



T 12pcs

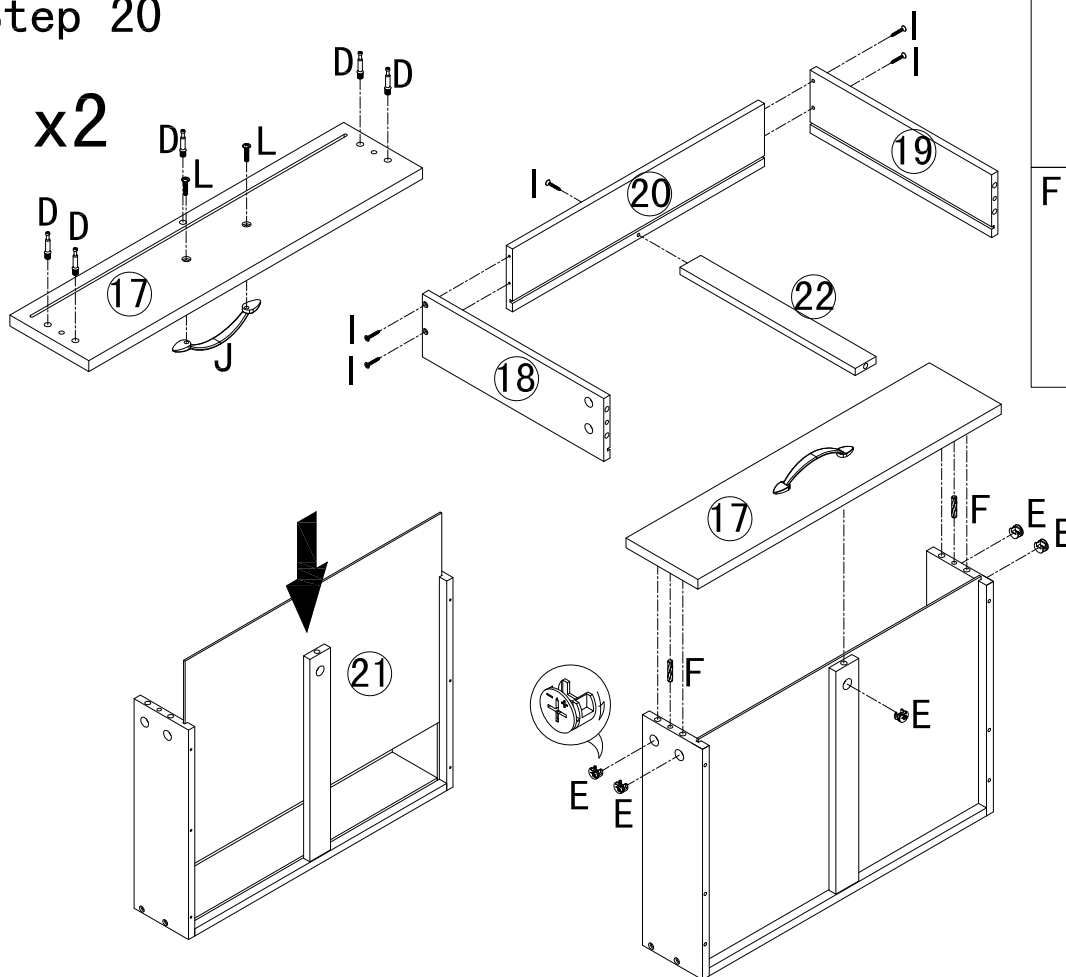


Step 19



R 8pcs

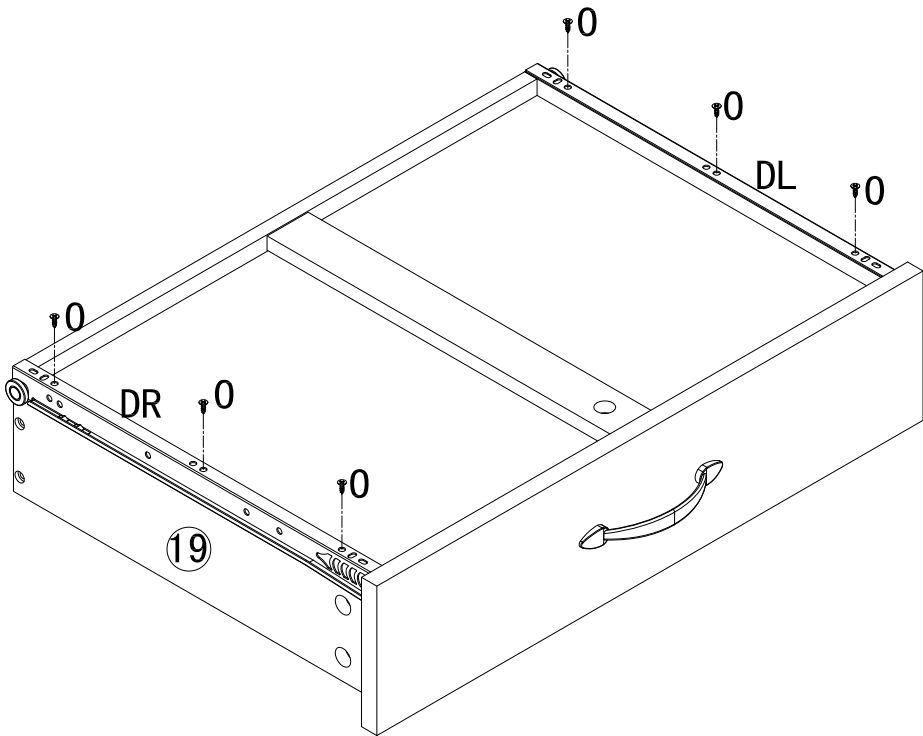
Step 20

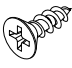
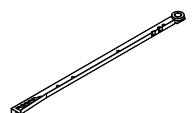
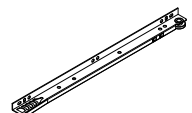


D 10pcs	E 10pcs
F 4pcs	J 2pcs
	L 4pcs
	I 10pcs

Step 21

x2



- | | |
|---|-------|
| 0 | 12pcs |
|  | |
| DL | 2pcs |
|  | |
| DR | 2pcs |
|  | |

Step 22

