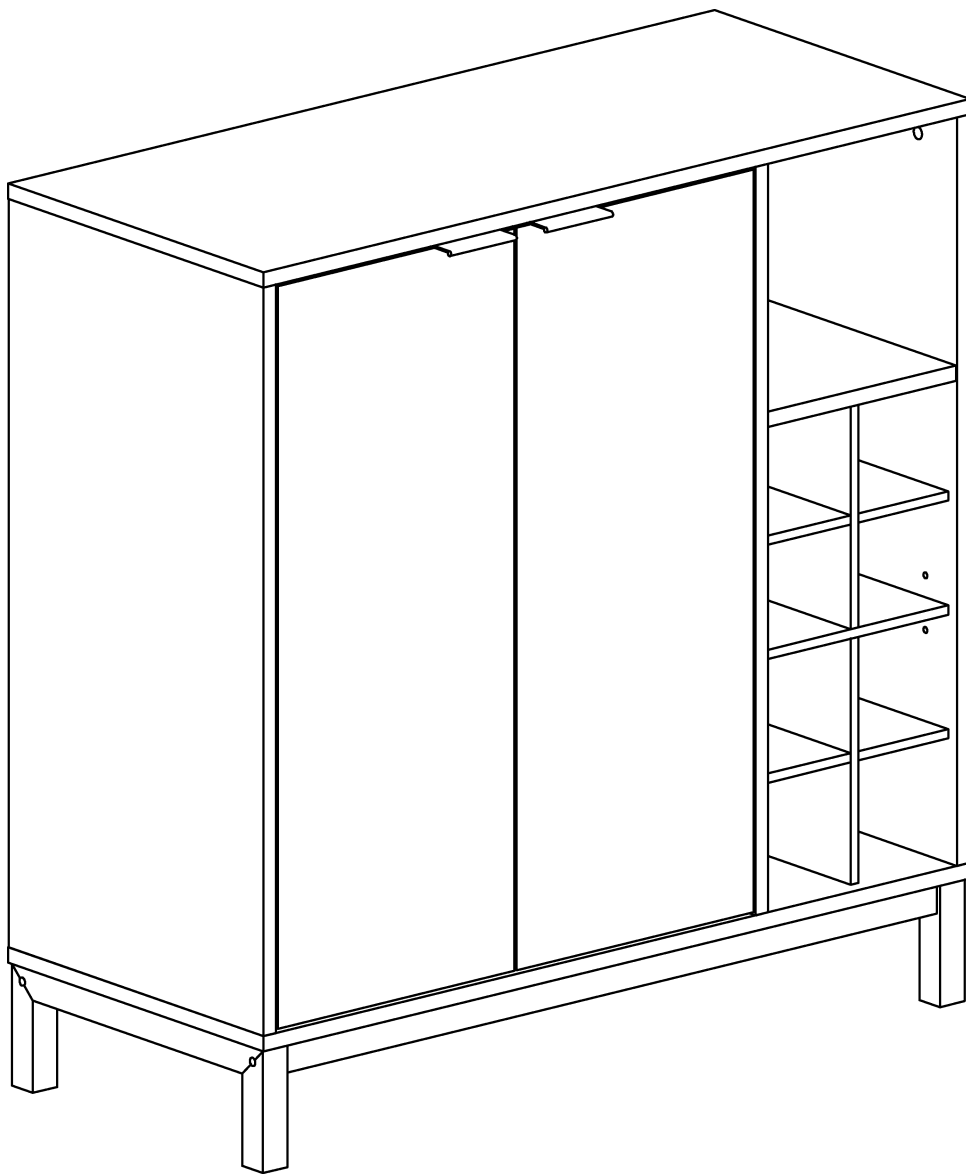
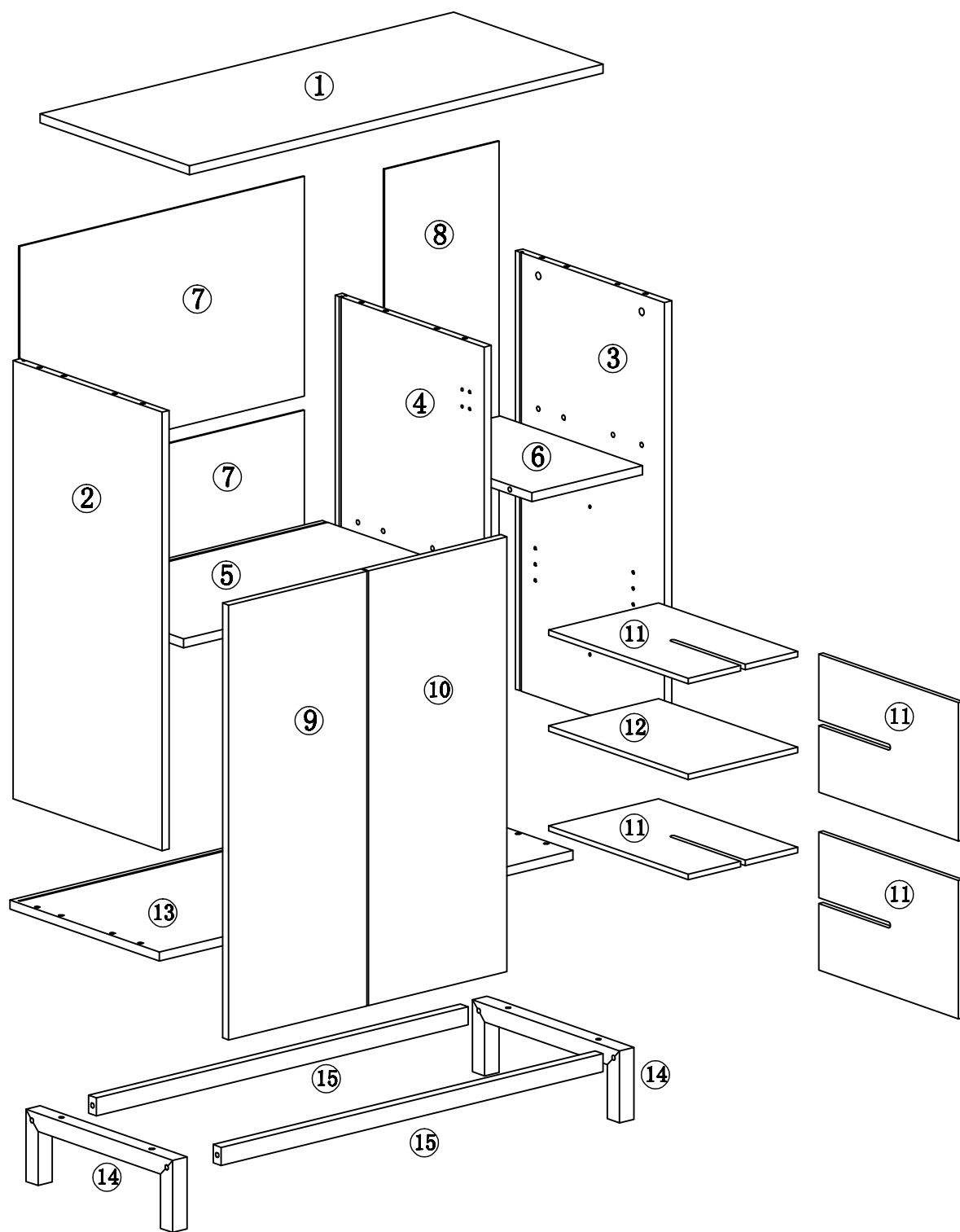
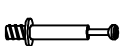


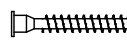





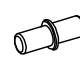



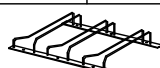


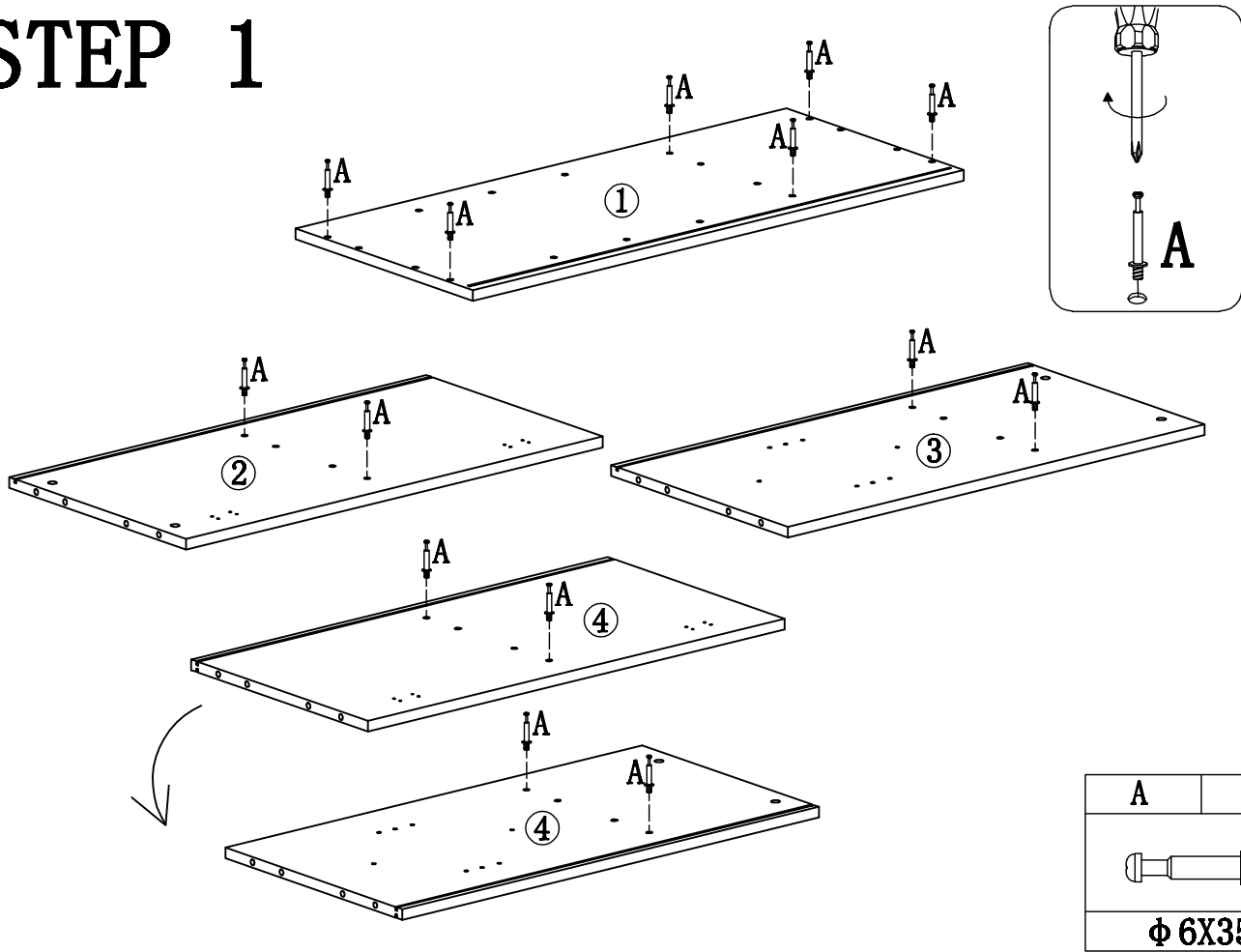
WF285318AAD



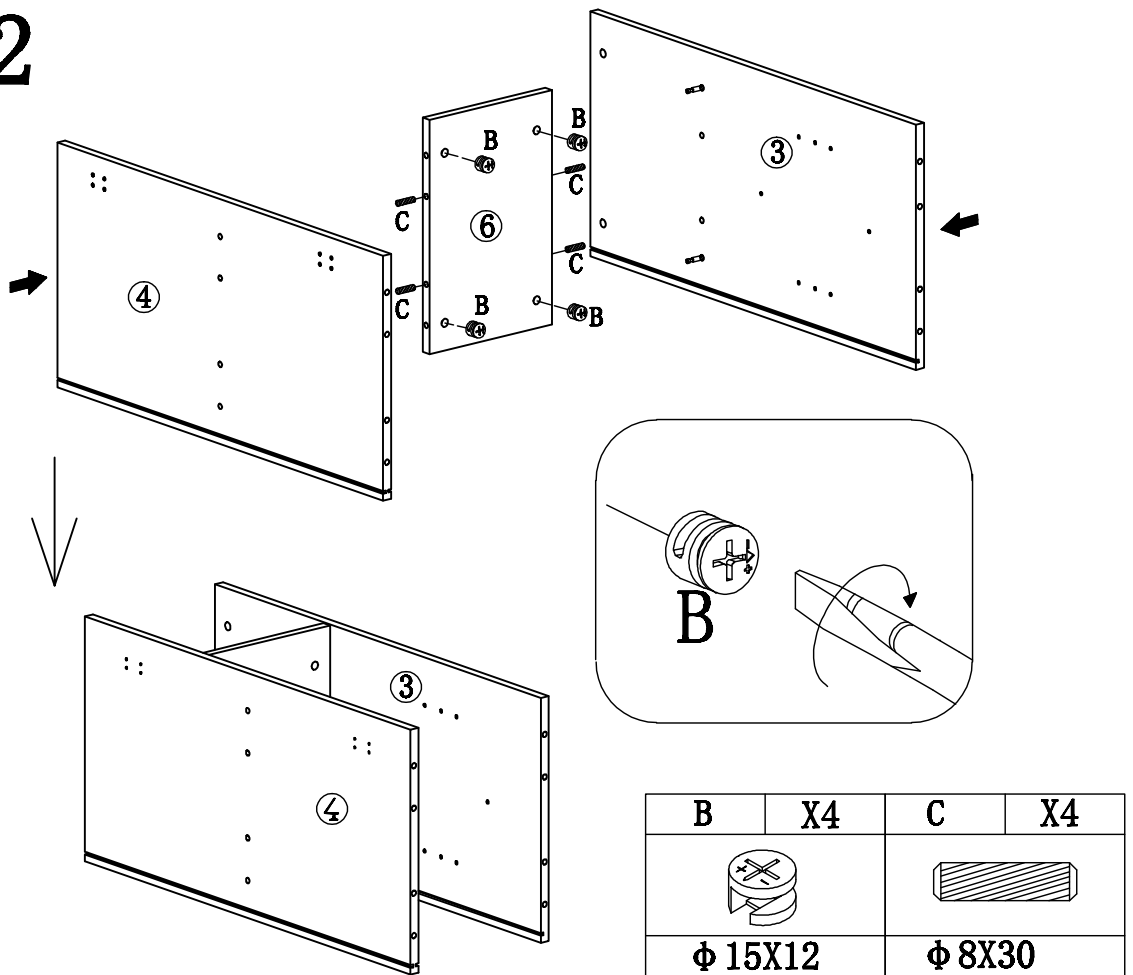


A	X14	B	X14	C	X20	D	X6	E	X1	F	X34	G	X6
													
$\phi 6 \times 35$		$\phi 15 \times 12$		$\phi 8 \times 30$		$\phi 7 \times 47$		M4X55		$\phi 3.5 \times 14 \text{mm}$		M6*12mm	
H	X4	I	X4	J	X8	K	X2	L	X4	M	X6	N	X1
													
M6*40mm		M6*50mm		$\phi 5 \times 13$		80*40*20mm				14*14*9mm		350*308*50mm	

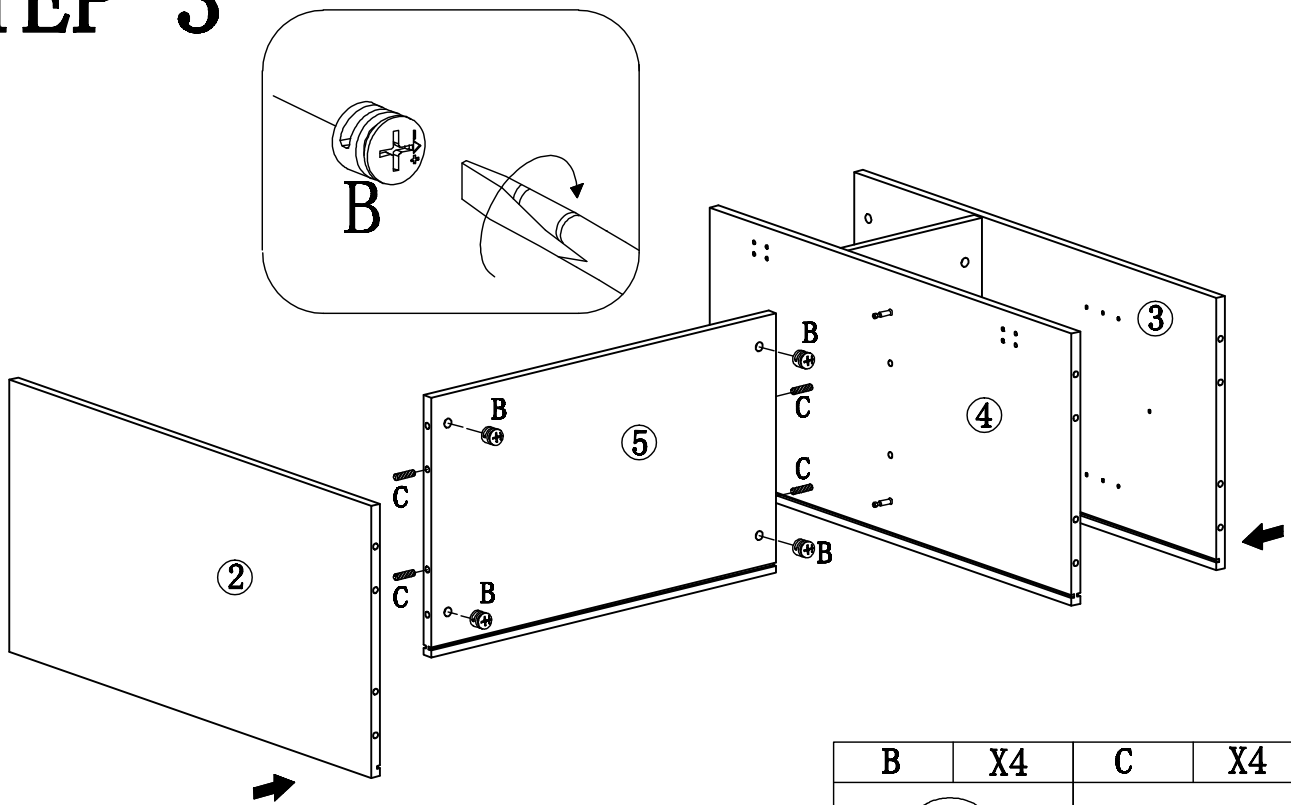
STEP 1





STEP 2

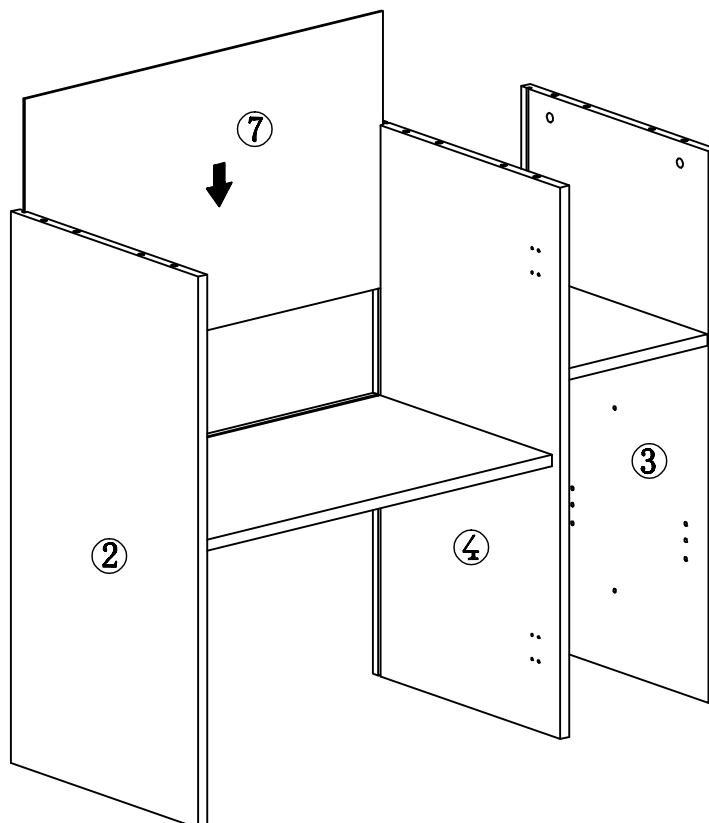


STEP 3

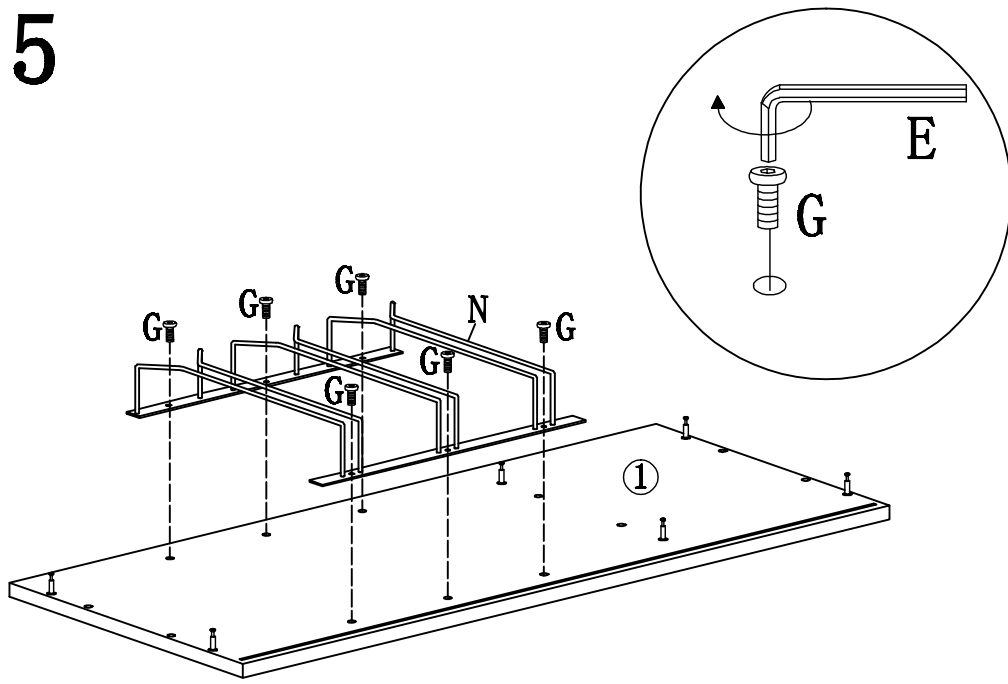



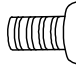
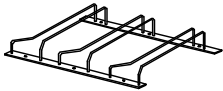
B	X4	C	X4
			
ϕ 15X12		ϕ 8X30	

STEP 4

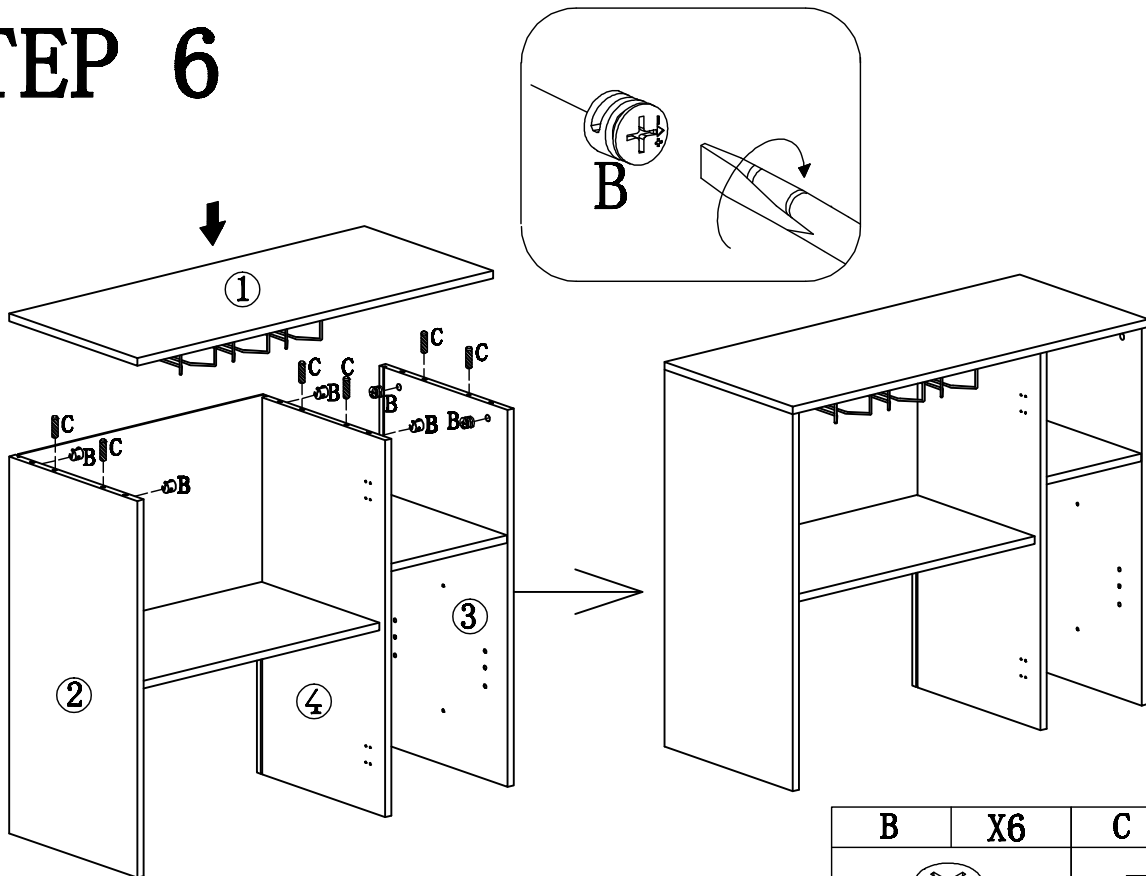




STEP 5



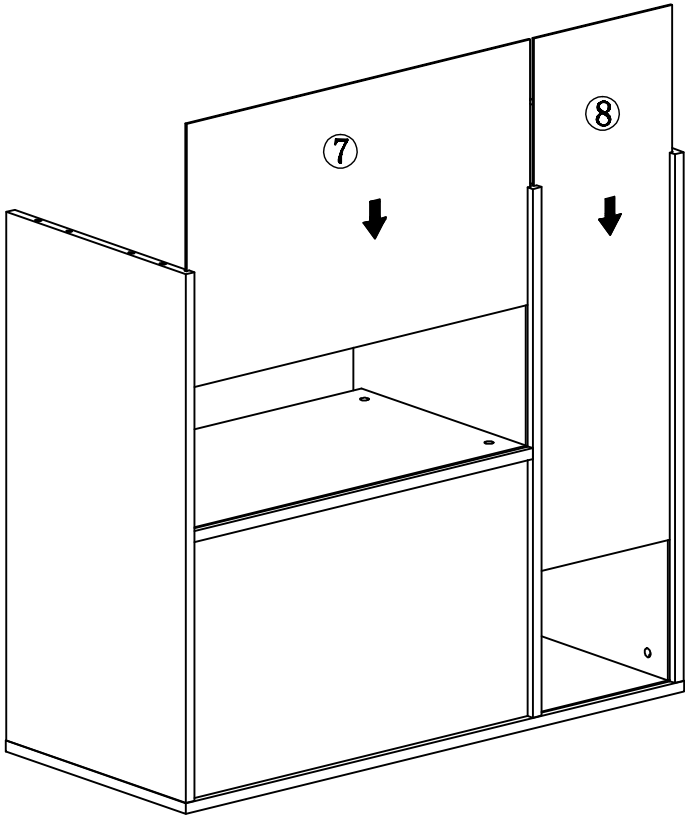
E	X1	G	X6	N	X1
					
M4X55		M6*12mm		350*308*50mm	

STEP 6

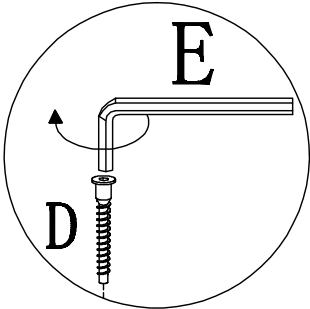
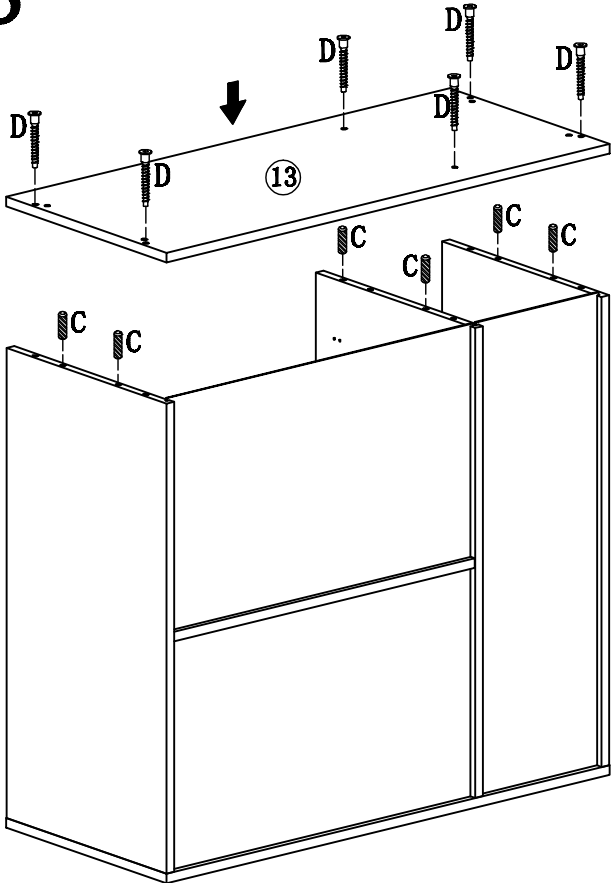



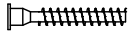
B	X6	C	X6
			
Φ 15X12		Φ 8X30	

STEP 7

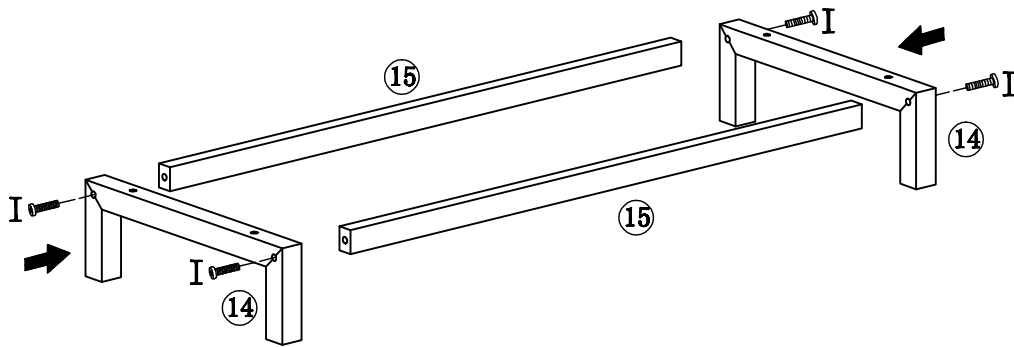


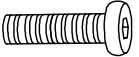
STEP 8



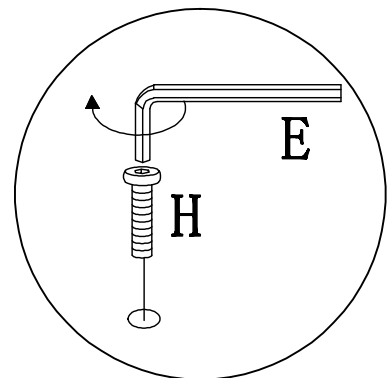
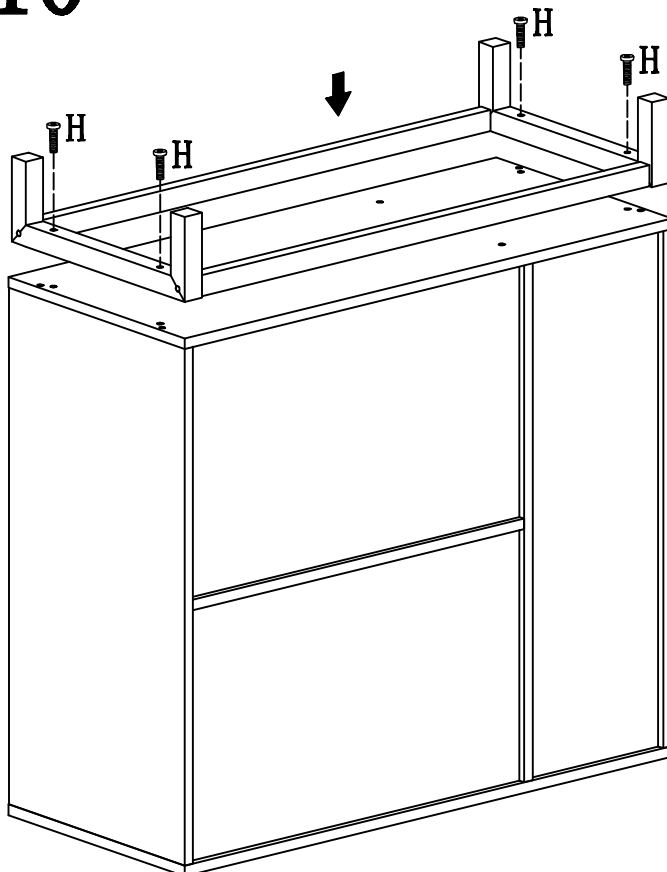
C	X6	D	X6
			
Φ 8X30		Φ 7X47	

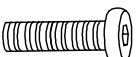
STEP 9



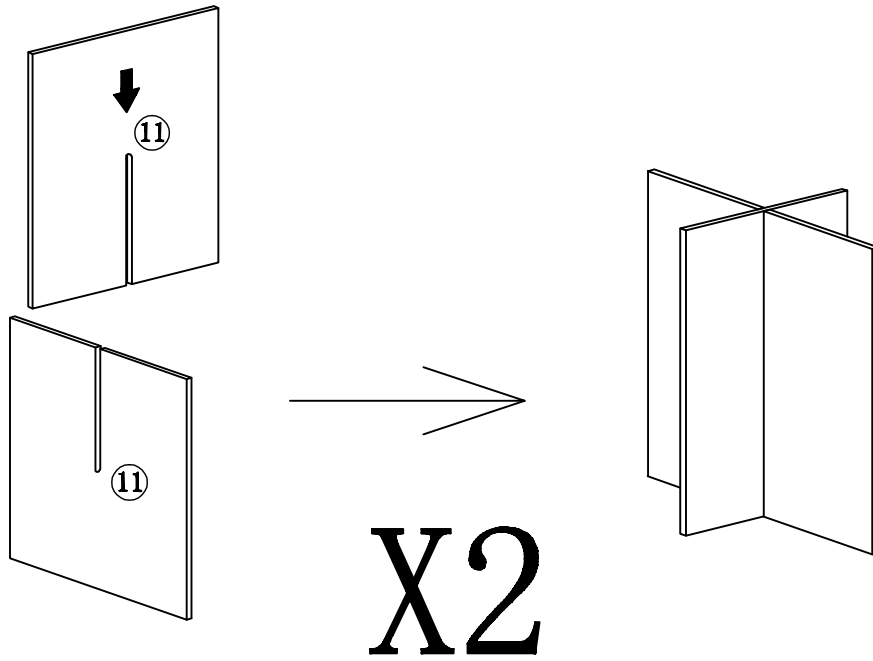
I	X4
	
M6*50mm	

STEP 10

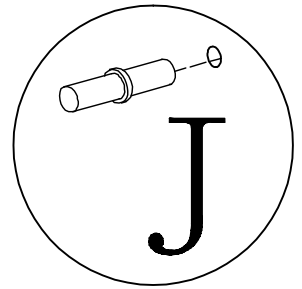
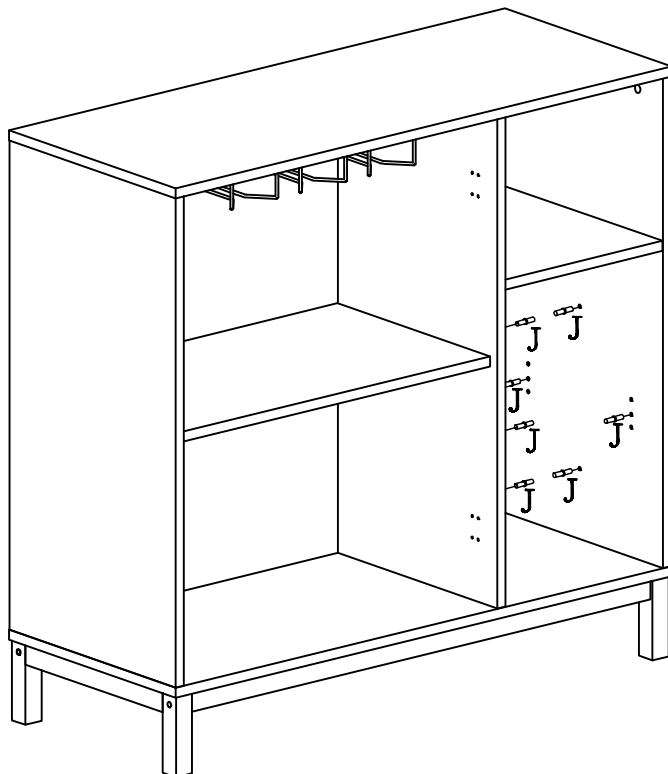


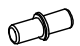
H	X4
	
M6*40mm	

STEP 11

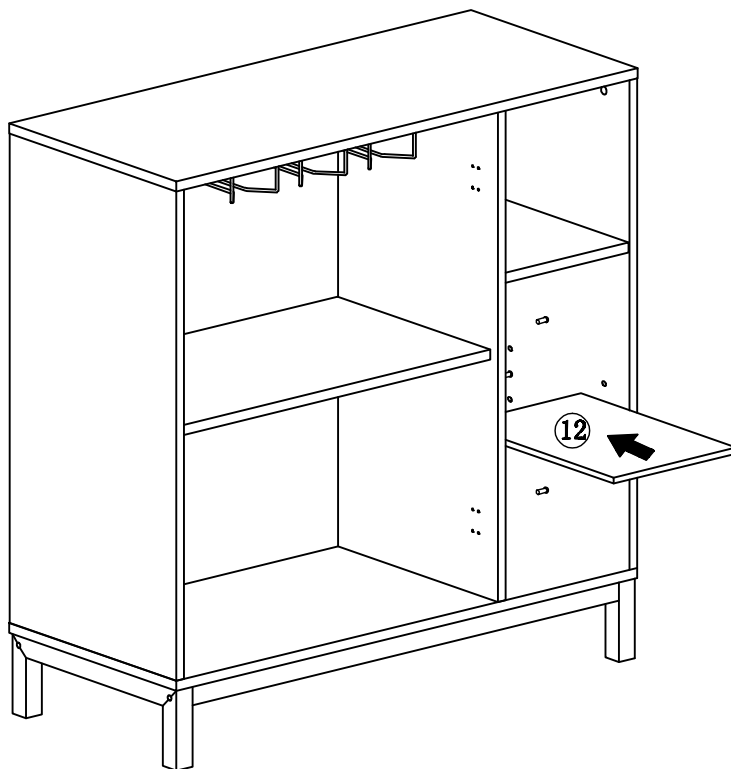


STEP 12

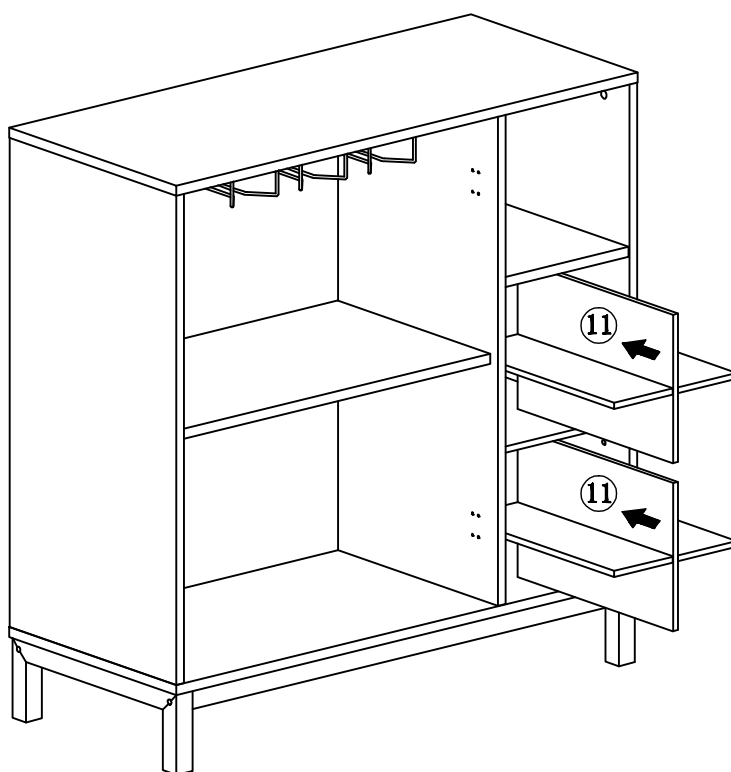


J	X8
	
φ 5*13	

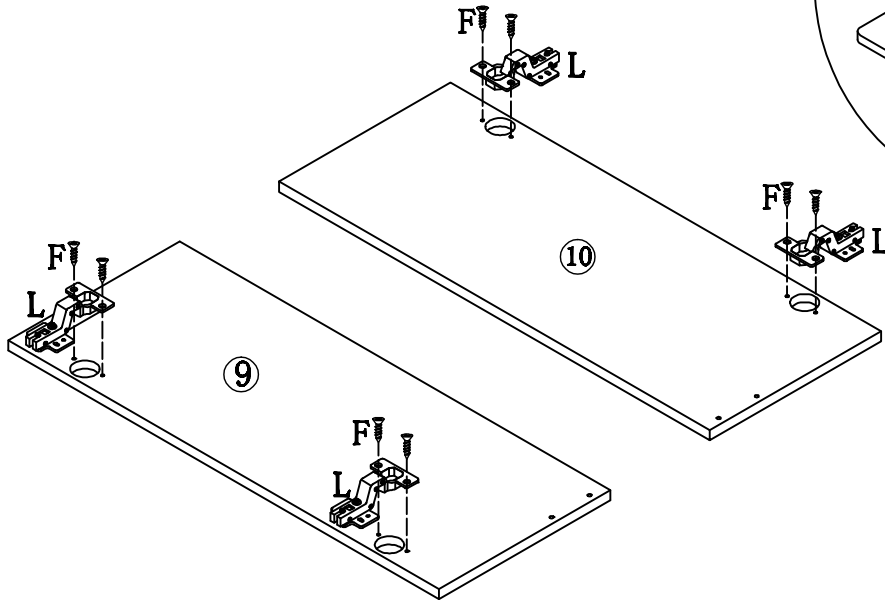
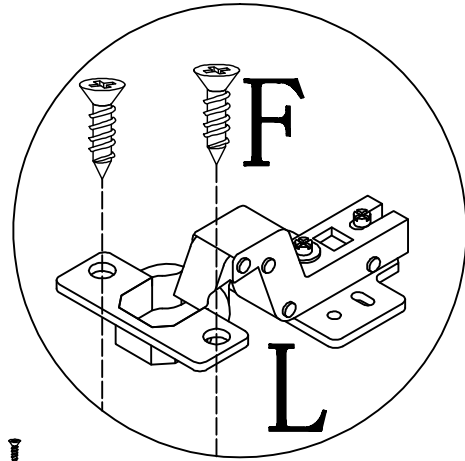
STEP 13





STEP 14

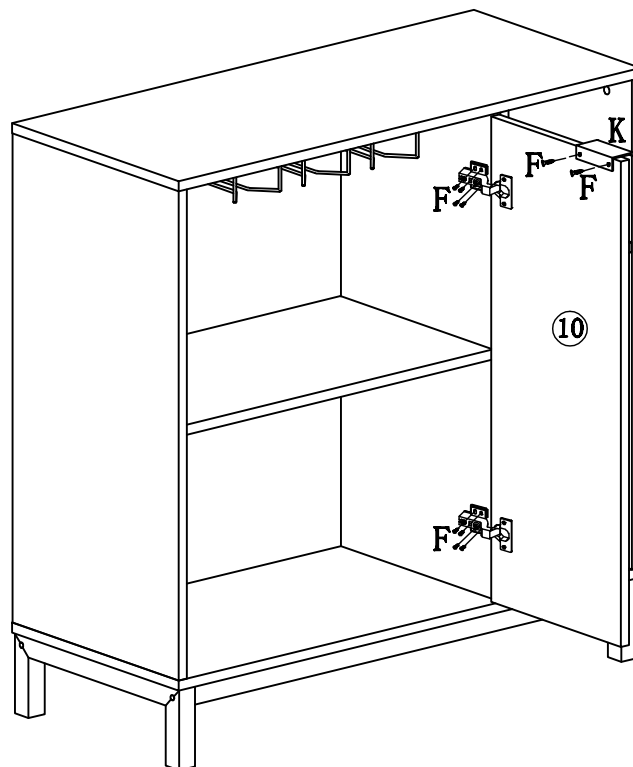
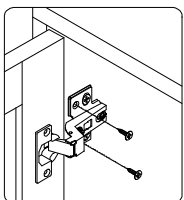
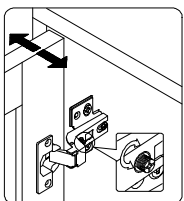
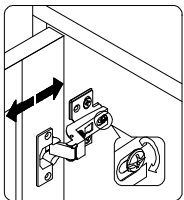
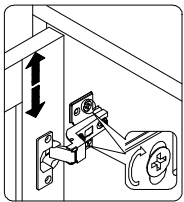




STEP 15



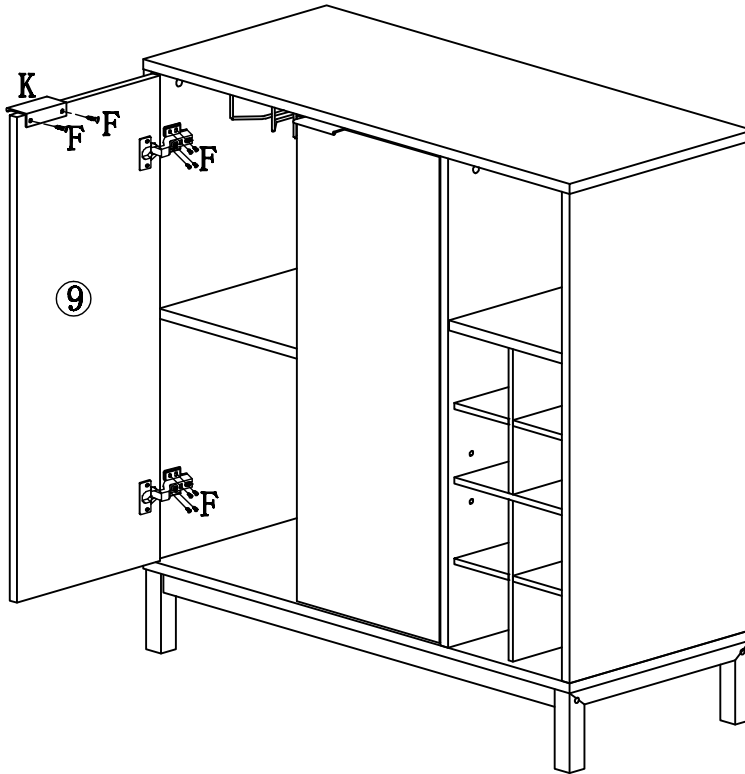
F	X8	L	X4
			
3.5*14mm			


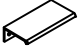
STEP 16



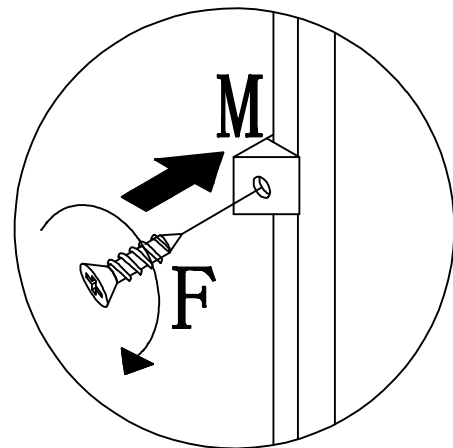
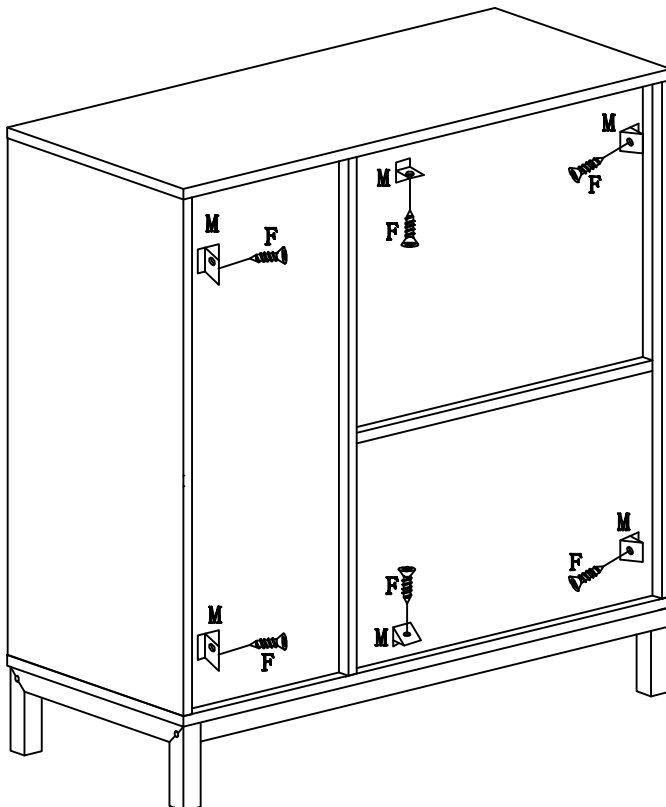
F	X10	K	X1
			
3.5*14mm		80*40*20mm	



STEP 17



F	X10	K	X1
			
3.5*14mm		80*40*20mm	

STEP 18



M	X6	F	X6
			
14*14*9mm		3.5*14mm	