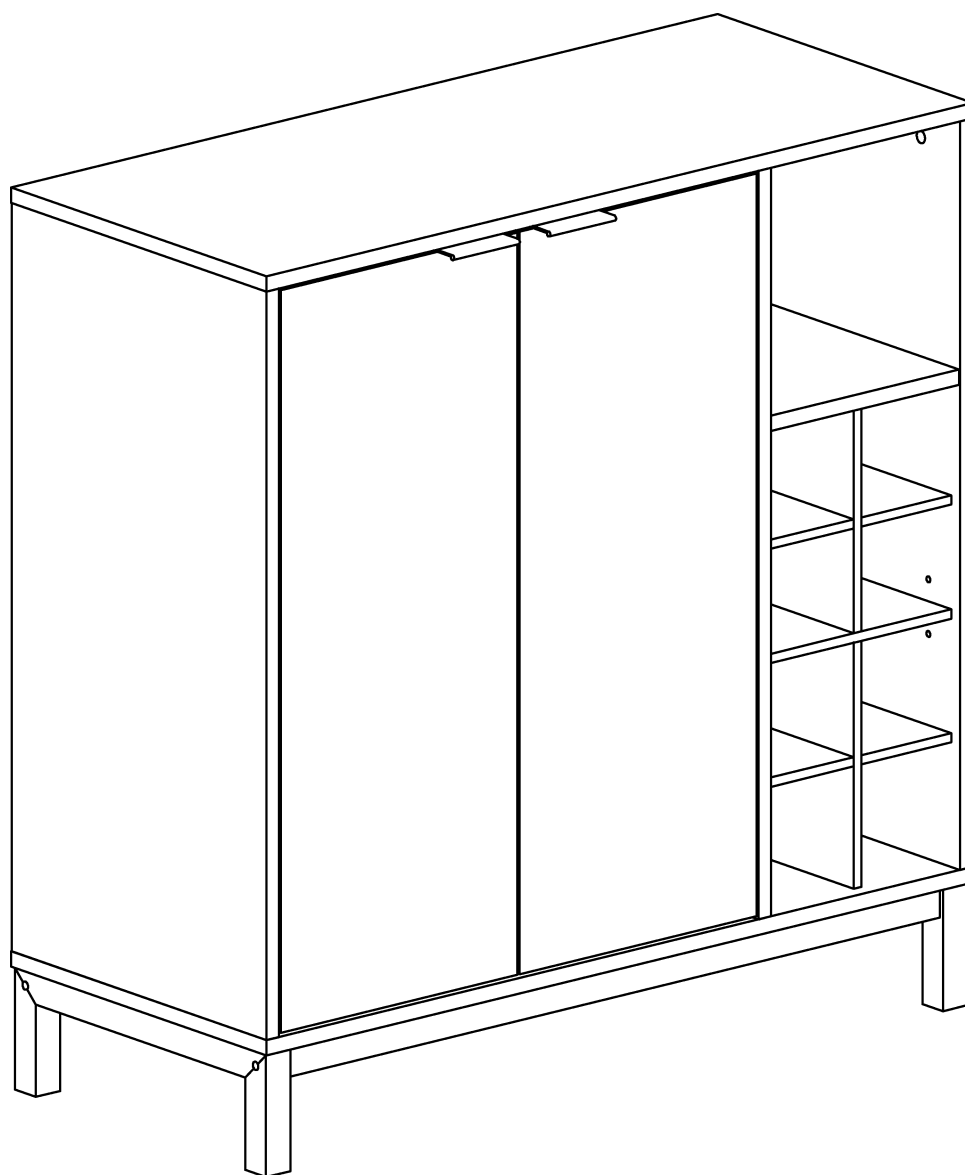
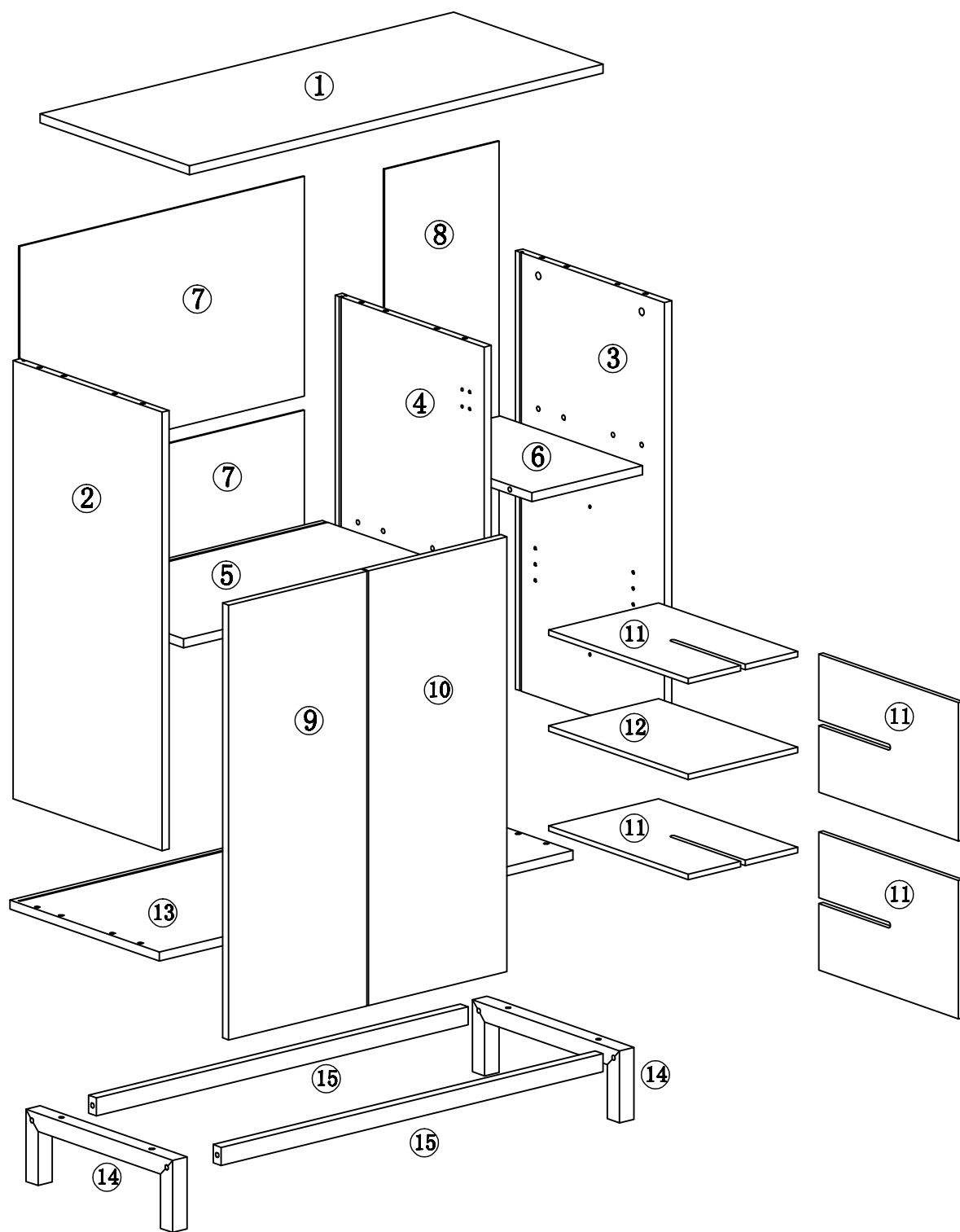
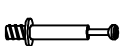


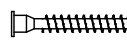





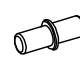



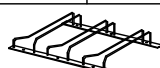


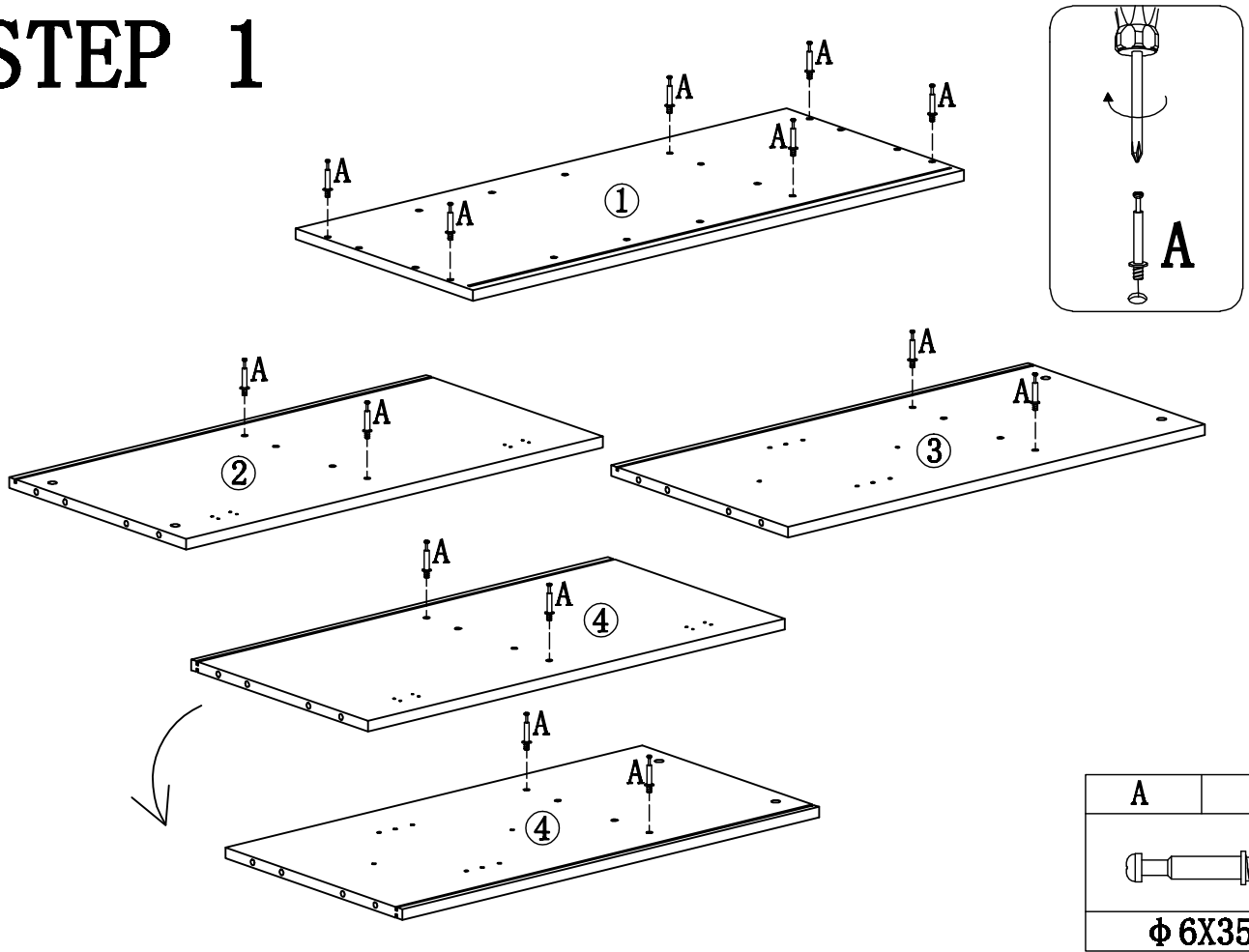
WF285318AAB



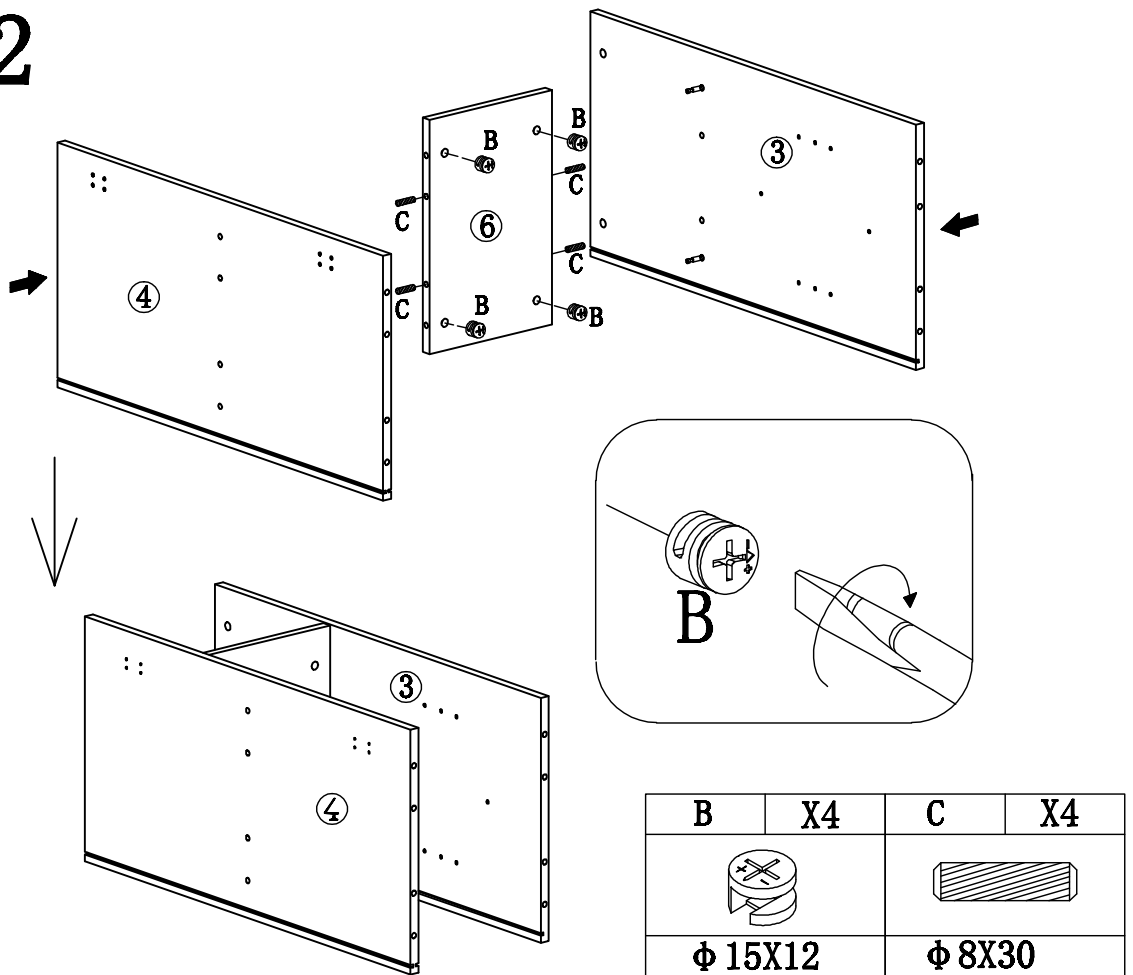


| | | | | | | | | | | | | | |
|---|-----|---|-----|---|-----|---|----|--|----|---|-----|---|----|
| A | X14 | B | X14 | C | X20 | D | X6 | E | X1 | F | X34 | G | X6 |
|  | |  | |  | |  | |  | |  | |  | |
| $\phi 6 \times 35$ | | $\phi 15 \times 12$ | | $\phi 8 \times 30$ | | $\phi 7 \times 47$ | | M4X55 | | $\phi 3.5 \times 14 \text{mm}$ | | M6*12mm | |
| H | X4 | I | X4 | J | X8 | K | X2 | L | X4 | M | X6 | N | X1 |
|  | |  | |  | |  | |  | |  | |  | |
| M6*40mm | | M6*50mm | | $\phi 5 \times 13$ | | 80*40*20mm | | | | 14*14*9mm | | 350*308*50mm | |

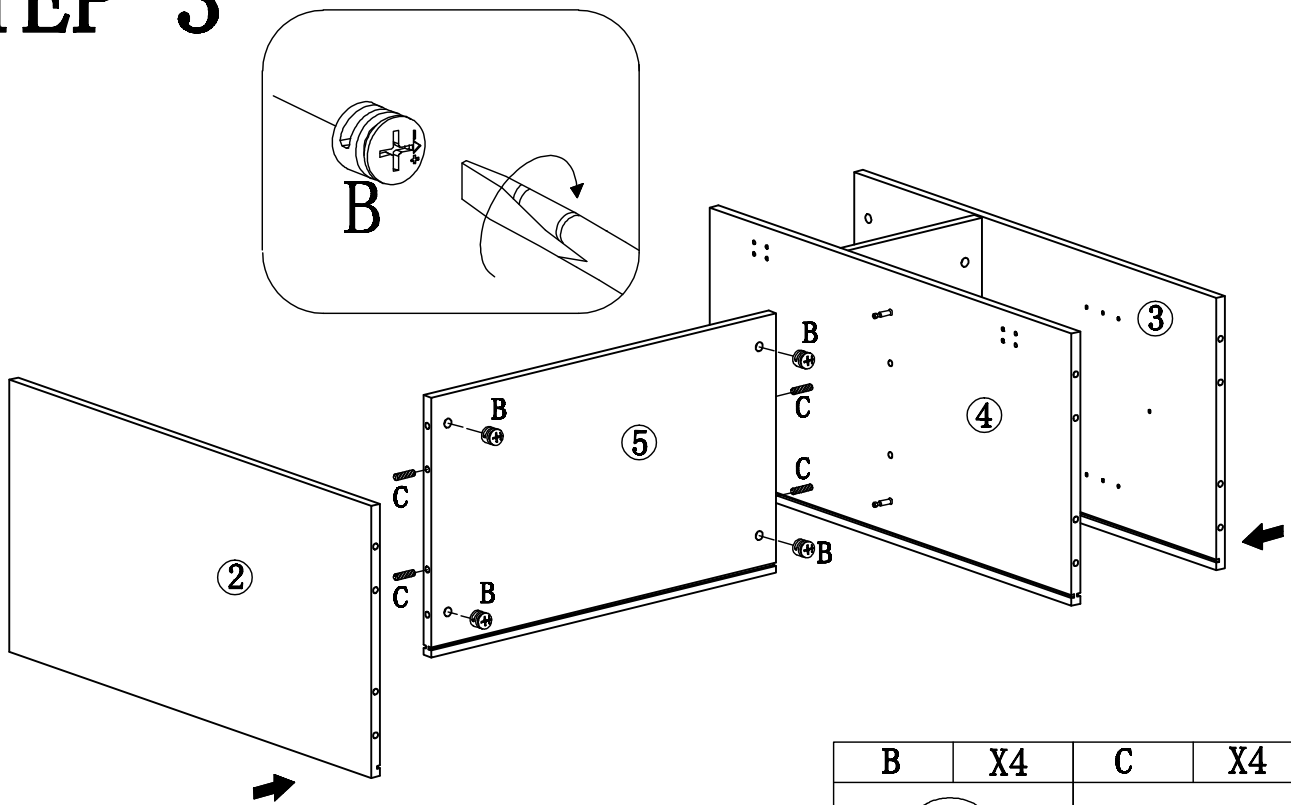
STEP 1





STEP 2

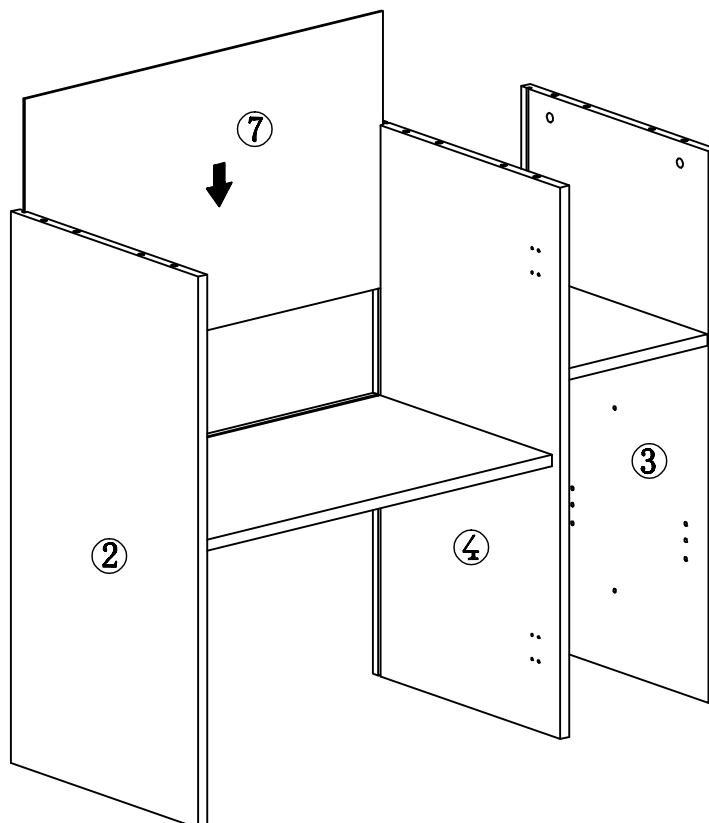


STEP 3

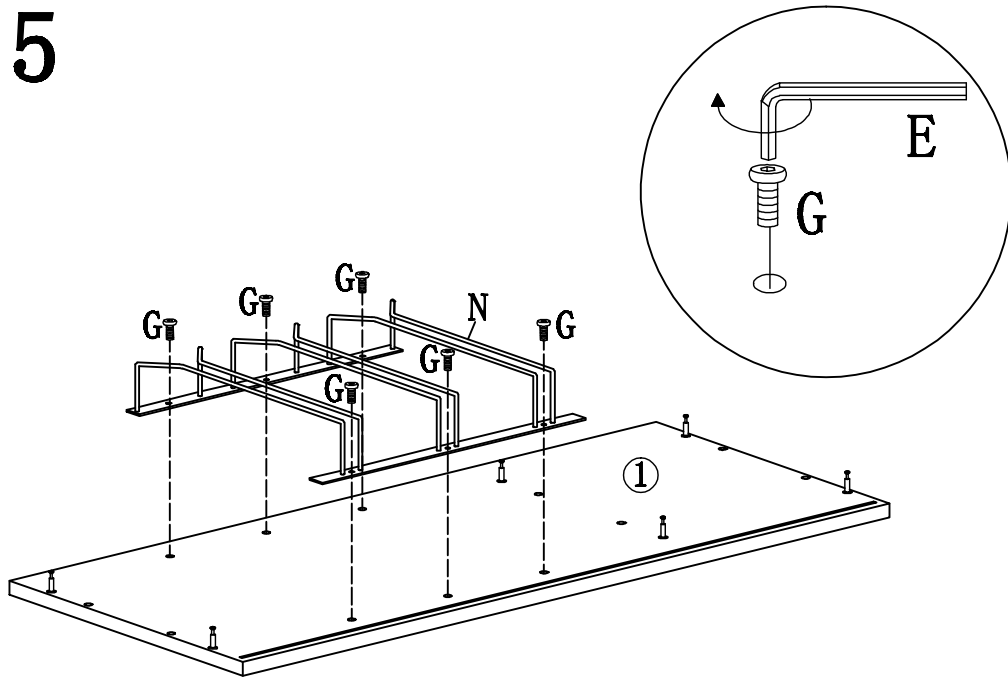



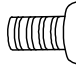
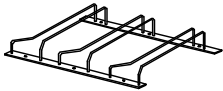
| B | X4 | C | X4 |
|---|----|---|----|
|  | |  | |
| ϕ 15X12 | | ϕ 8X30 | |

STEP 4

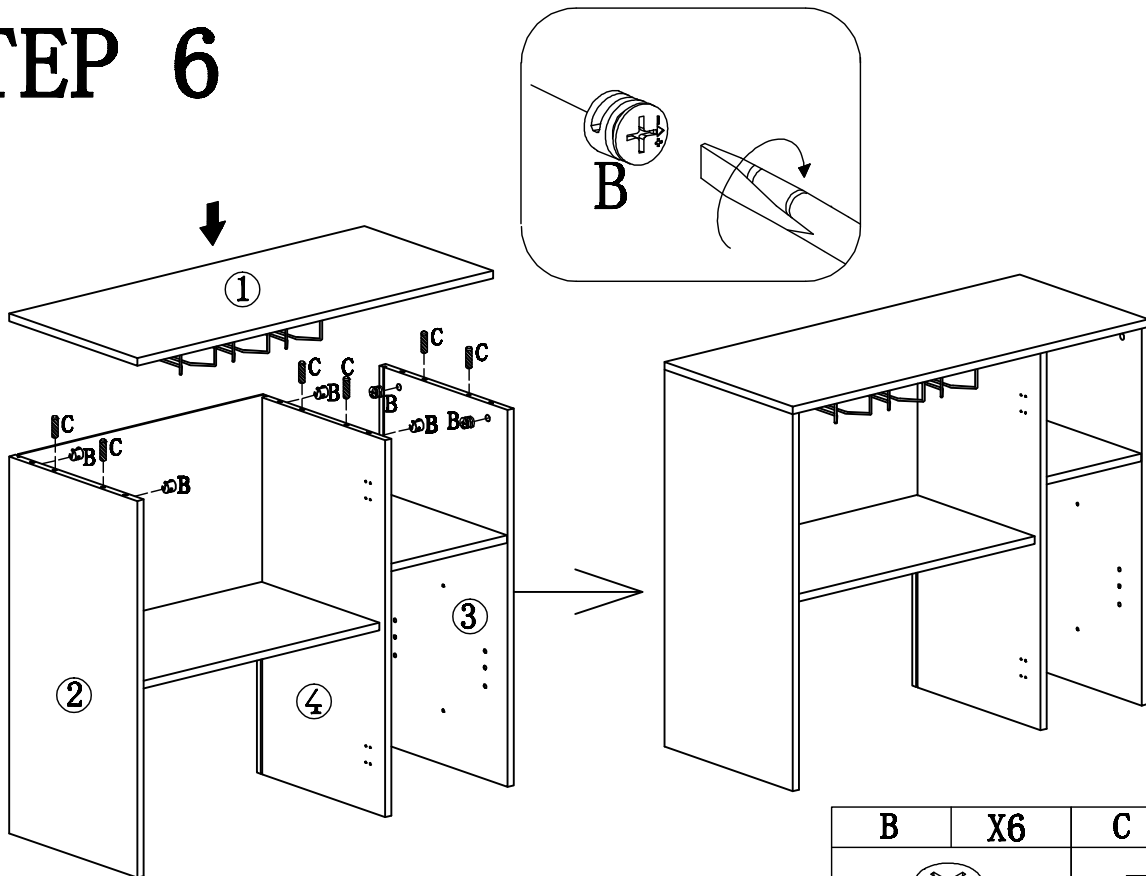




STEP 5



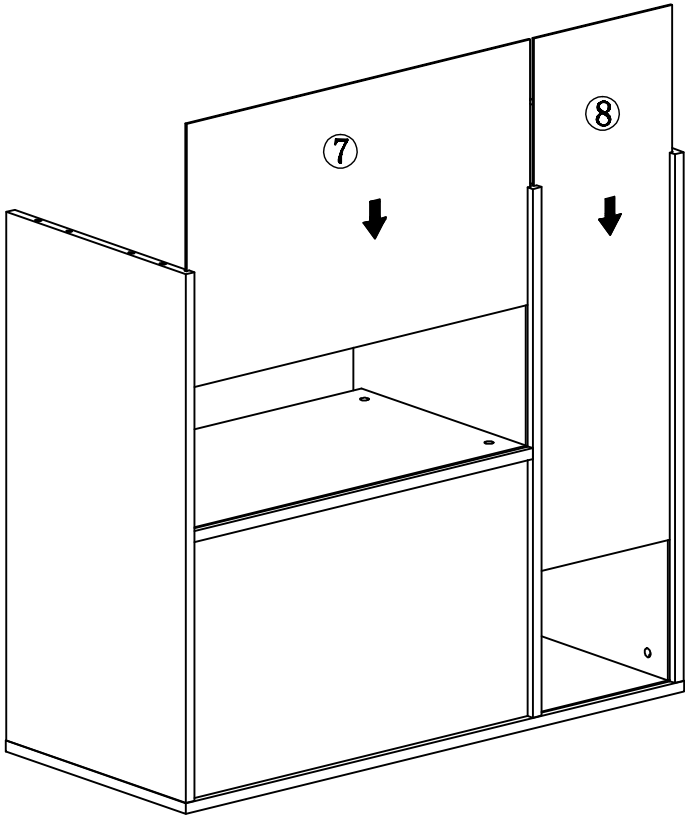
| | | | | | |
|---|----|---|----|--|----|
| E | X1 | G | X6 | N | X1 |
|  | |  | |  | |
| M4X55 | | M6*12mm | | 350*308*50mm | |

STEP 6

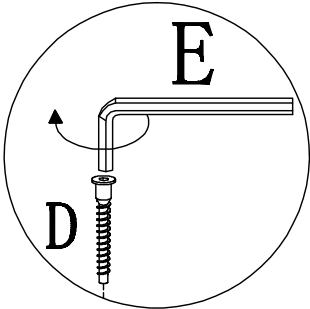
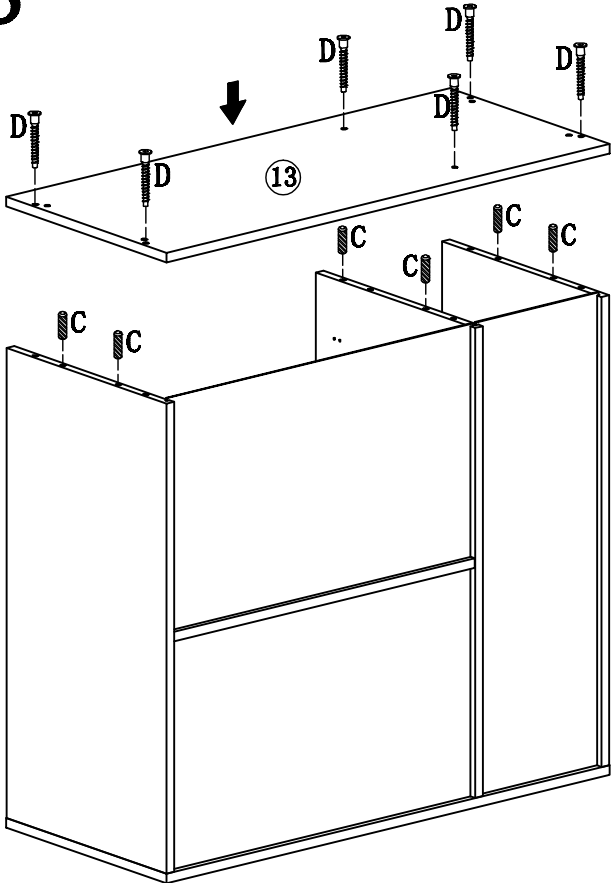



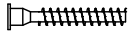
| | | | |
|---|----|---|----|
| B | X6 | C | X6 |
|  | |  | |
| φ 15X12 | | φ 8X30 | |

STEP 7

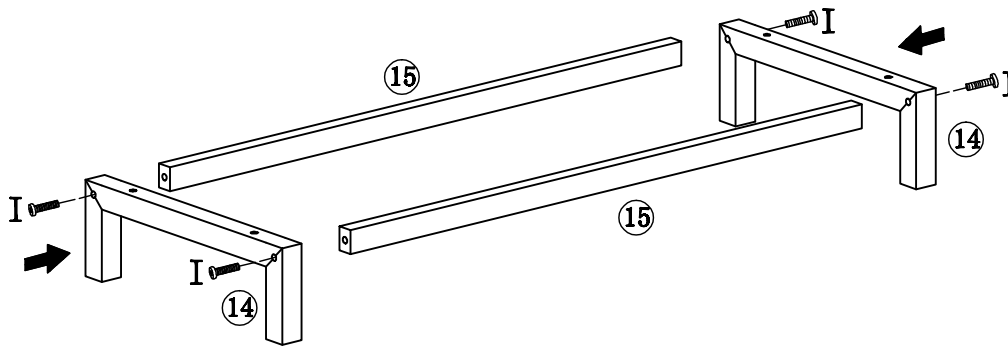


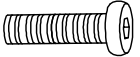
STEP 8



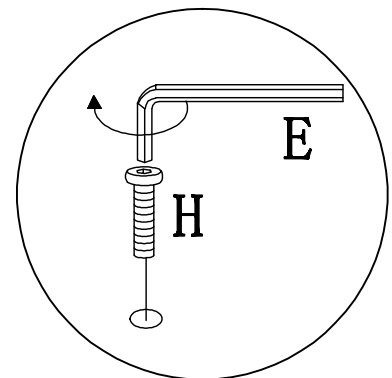
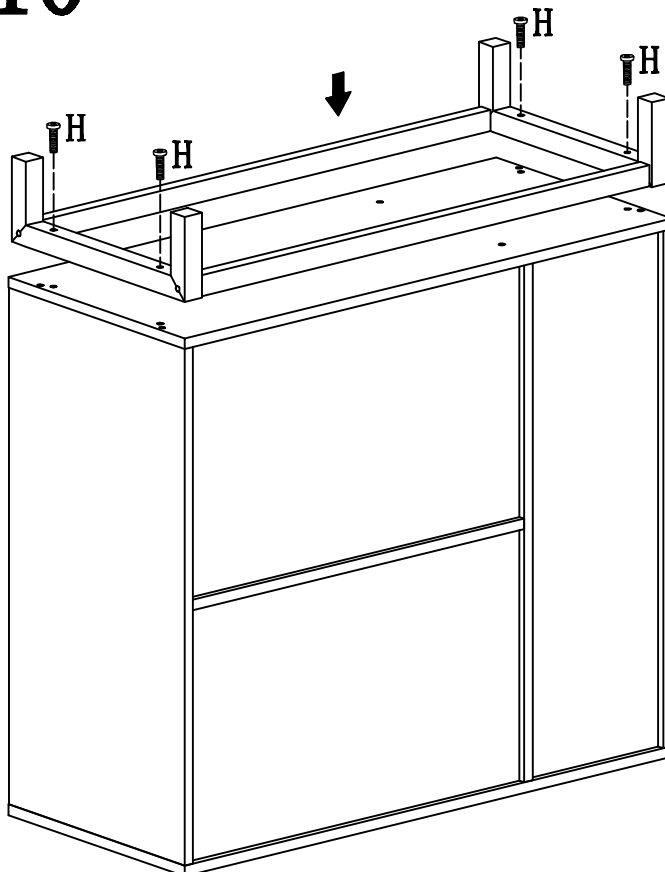
| C | X6 | D | X6 |
|---|----|---|----|
|  | |  | |
| Φ 8X30 | | Φ 7X47 | |


STEP 9



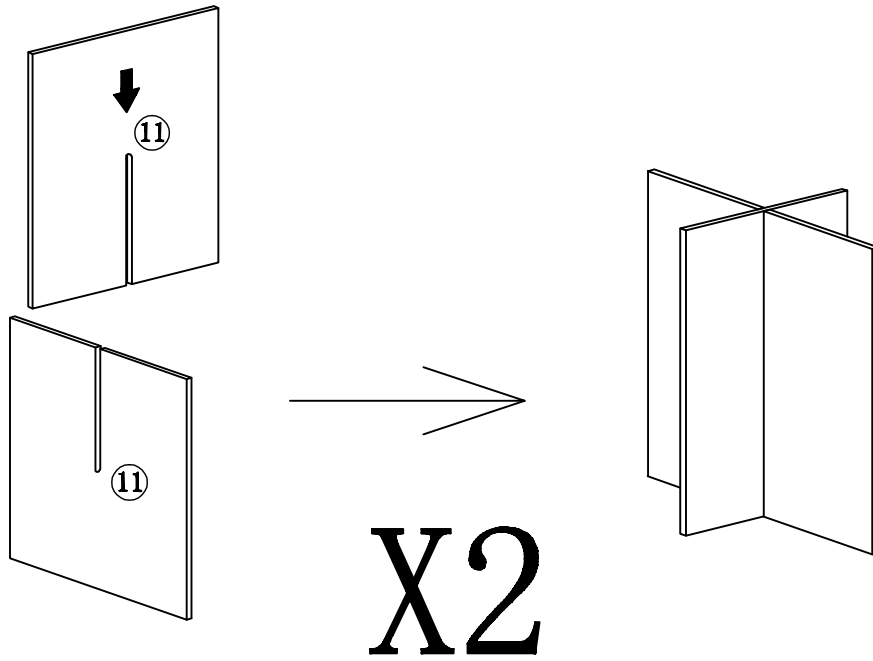
| | |
|---|----|
| I | X4 |
|  | |
| M6*50mm | |

STEP 10

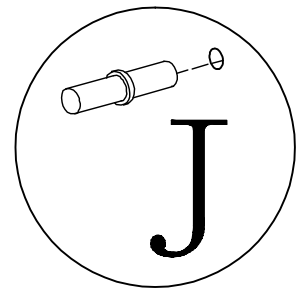
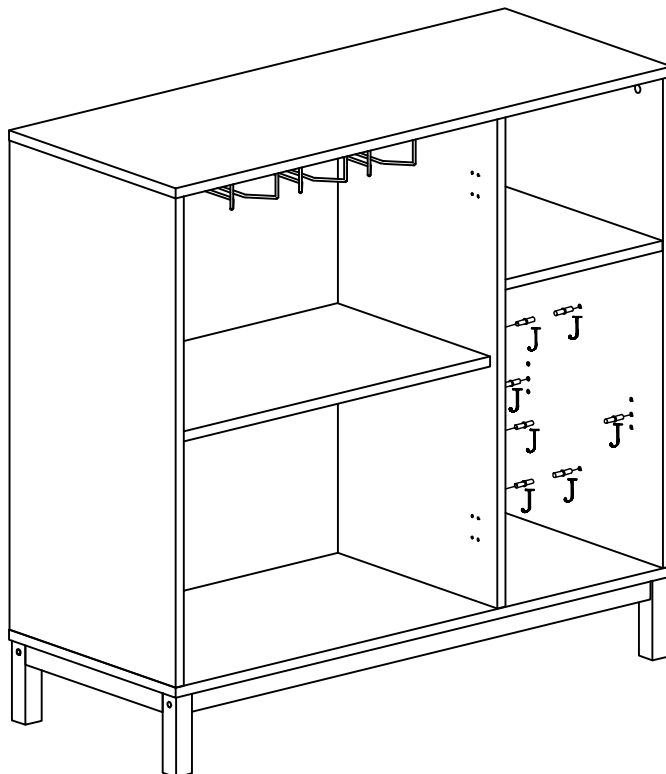


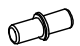
| | |
|---|----|
| H | X4 |
|  | |
| M6*40mm | |

STEP 11

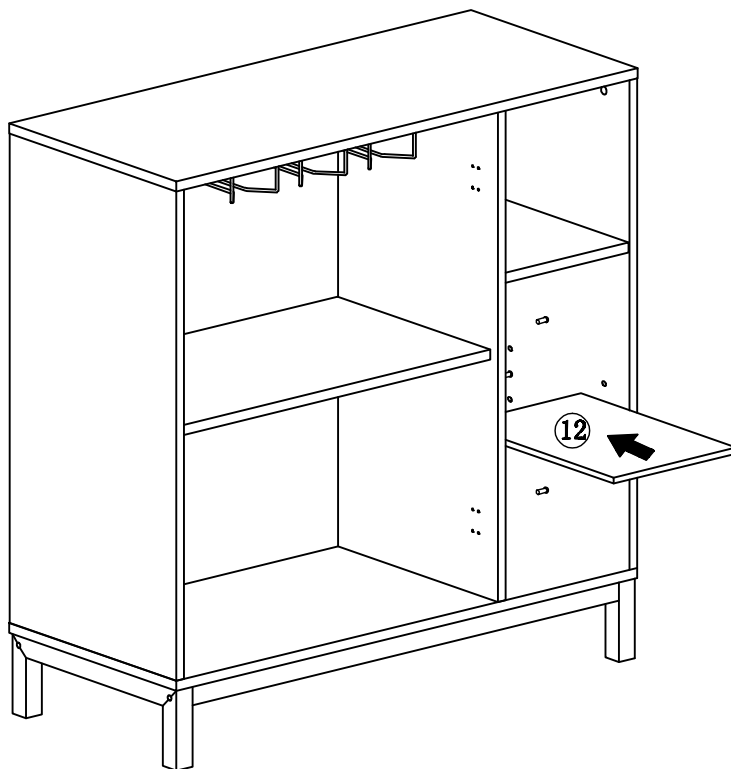


STEP 12

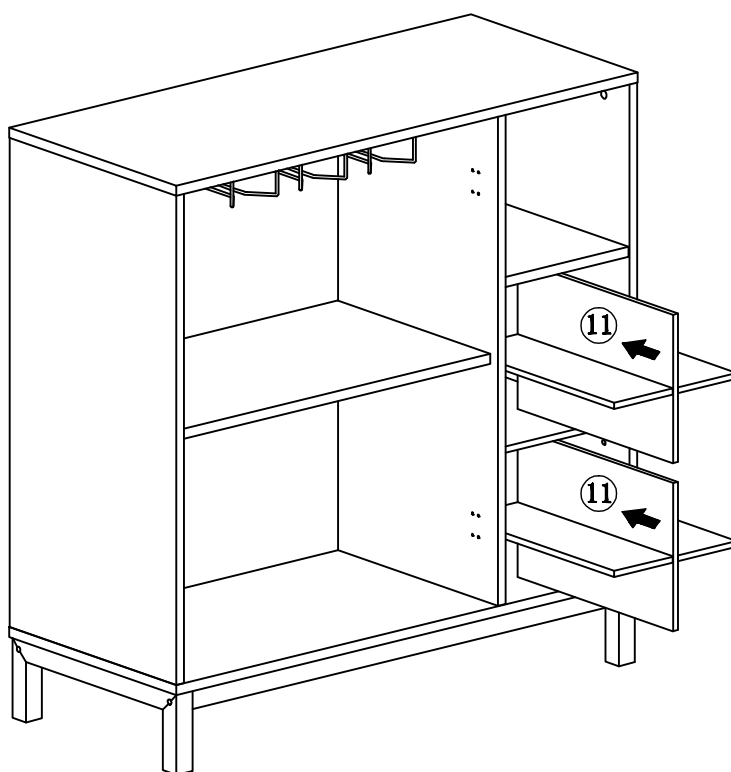


| | |
|---|----|
| J | X8 |
|  | |
| φ 5*13 | |

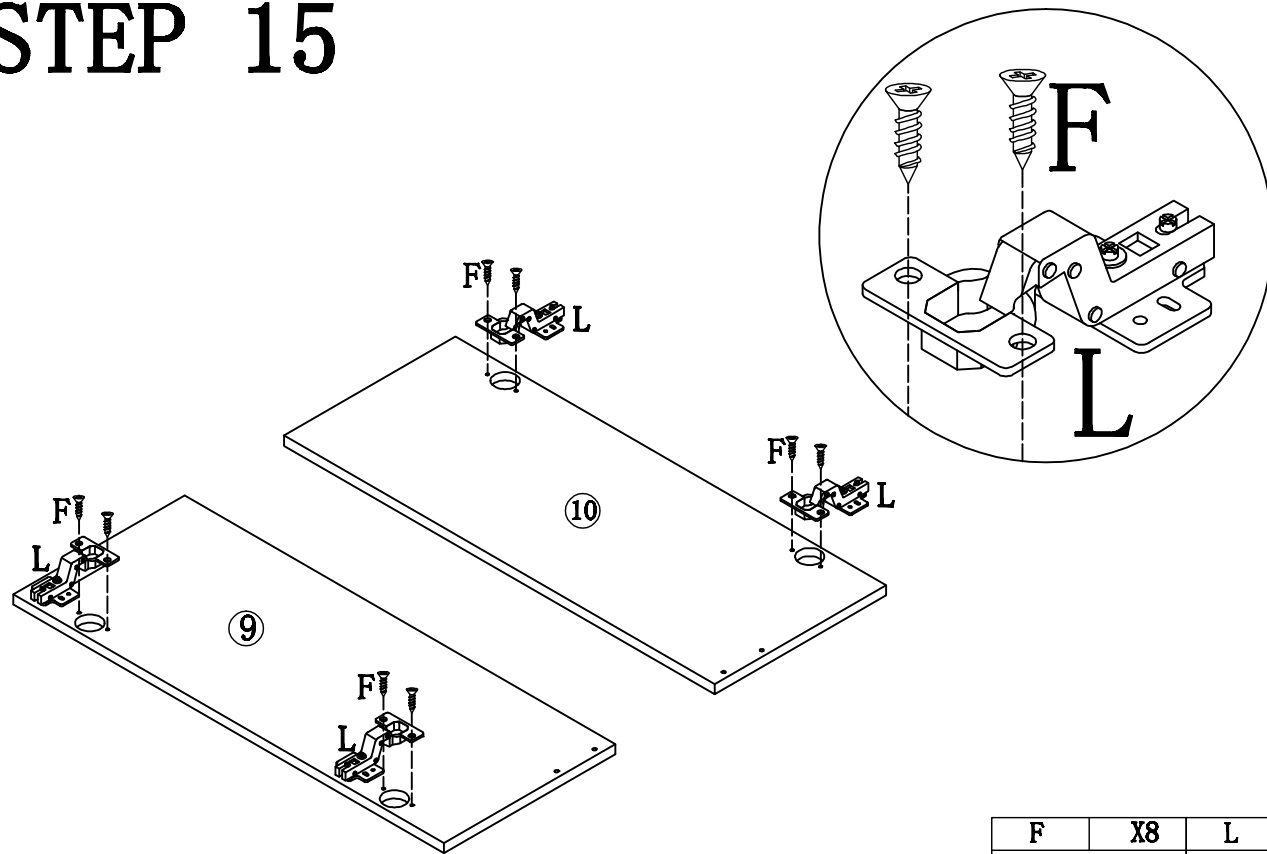
STEP 13





STEP 14

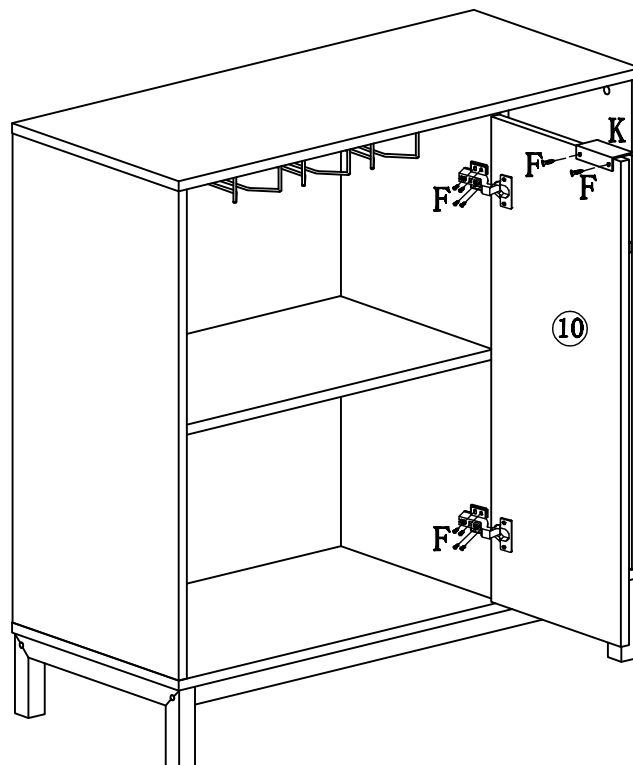
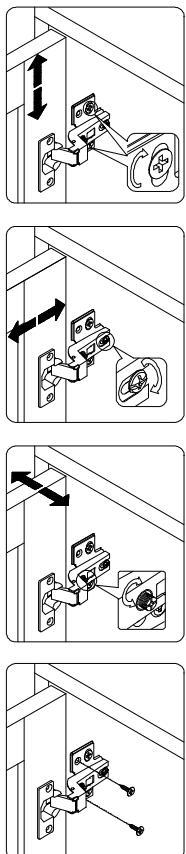




STEP 15



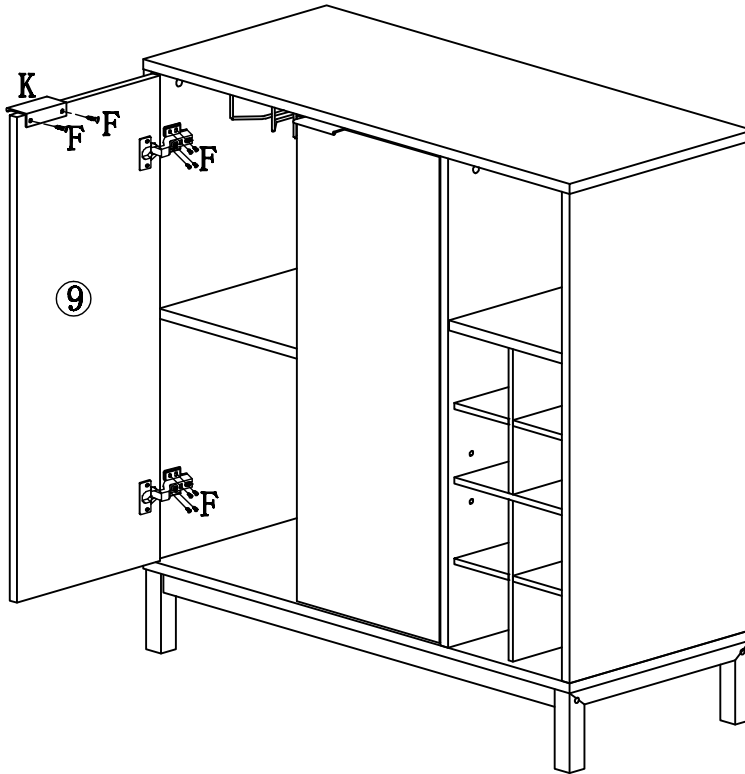
| | | | |
|---|----|---|----|
| F | X8 | L | X4 |
|  | |  | |
| 3.5*14mm | | | |


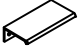
STEP 16



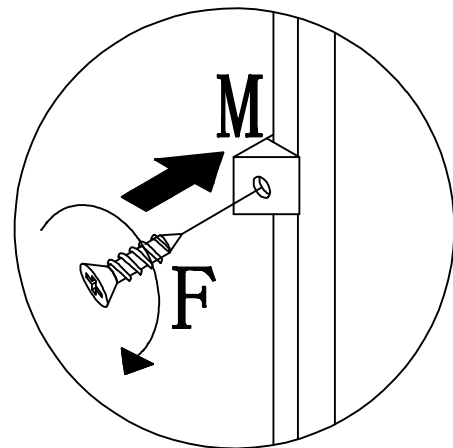
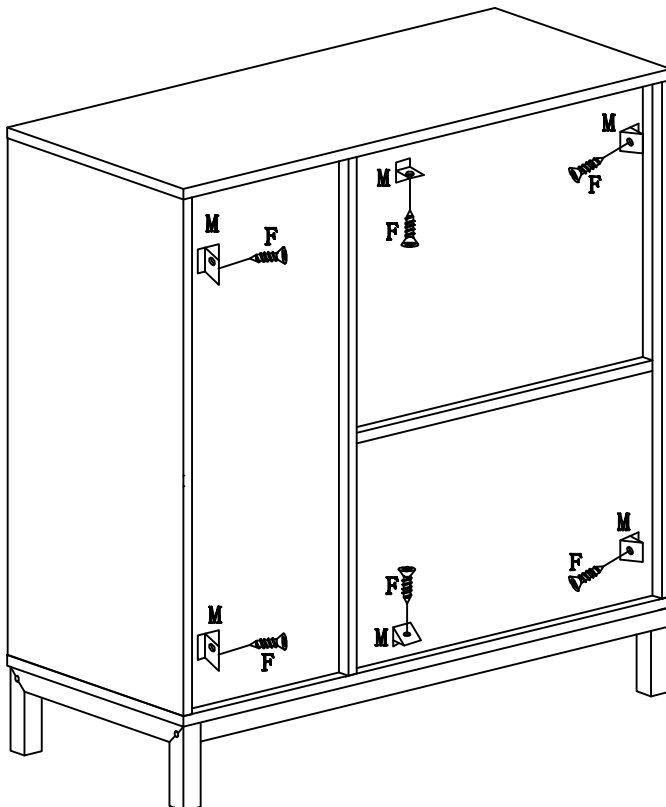
| | | | |
|---|-----|---|----|
| F | X10 | K | X1 |
|  | |  | |
| 3.5*14mm | | 80*40*20mm | |



STEP 17



| F | X10 | K | X1 |
|---|-----|---|----|
|  | |  | |
| 3.5*14mm | | 80*40*20mm | |

STEP 18



| M | X6 | F | X6 |
|---|----|---|----|
|  | |  | |
| 14*14*9mm | | 3.5*14mm | |