
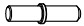


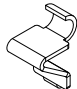





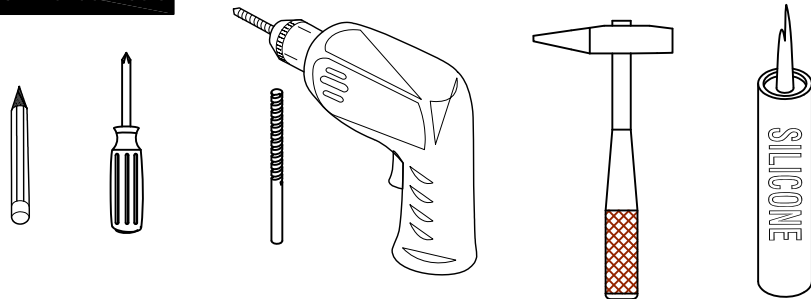


Item NO.:BV CB05724 / BV B05730

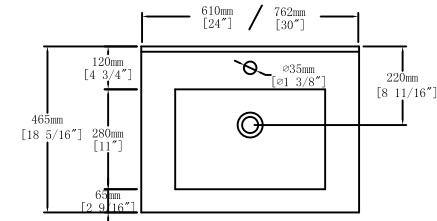
Hardware

NO.	Draw	QTY	NO.	Draw	QTY
A	 Screws M4x8mm	6	F	 Gate Shaft	2
B	 Screws M6x12mm	4	G	 Door Pivot Gasket	2
C	 Shelf Support	4	H	 Expansion Screw	2
D	 Handle	2	I	 Decorative cover	2
E	 Handle screws (M4 x22mm)	2	J	 Screwdriver	1

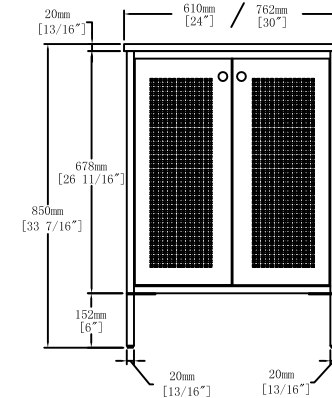
Recommended tools



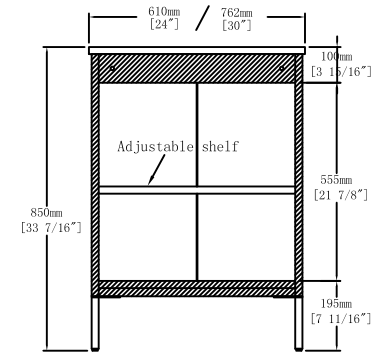
Dimensions



Top View



Front View

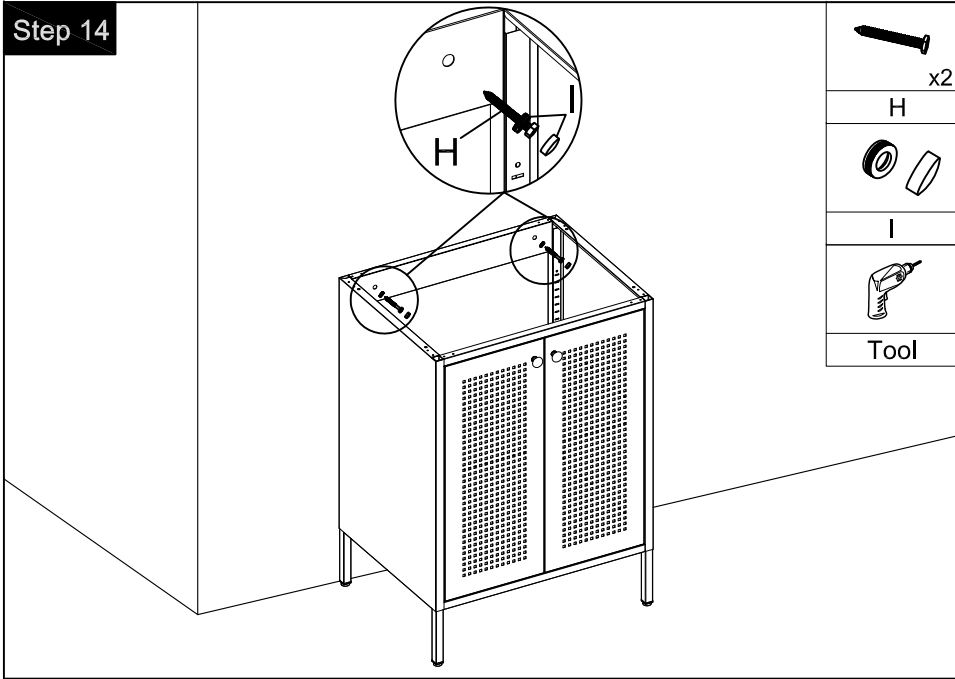


Back View

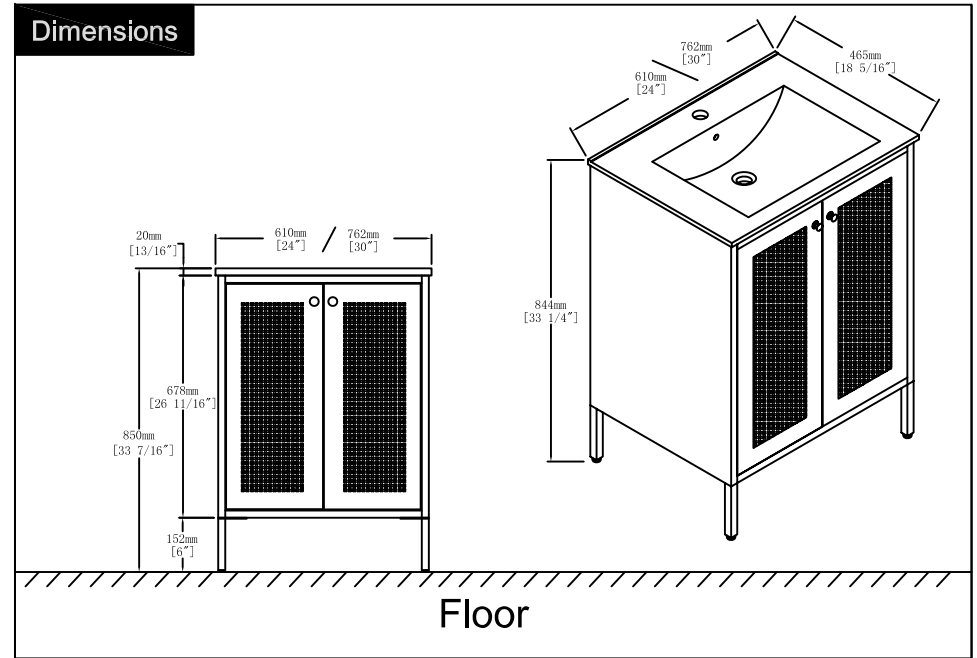
CARE CLEANING AND MAINTENANCE

1. Avoid bumping and hard objects scratching surface spray plastic.
2. Choose a soft cotton cloth to wipe, avoid the use of metal brush, hard brush or rough cloth.
3. The sink top is resilient, but care needs to be taken to preserve its appearance.
4. Do not place hot appliances, such as curling irons and hot hair dryers directly on the countertop. Wipe spills immediately.

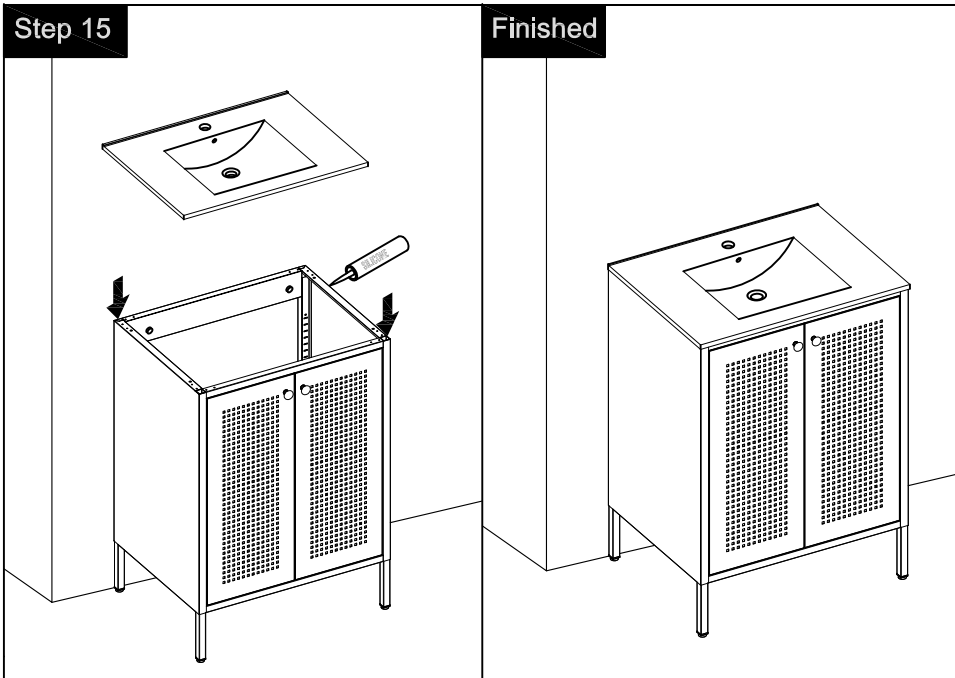
Step 14



Dimensions

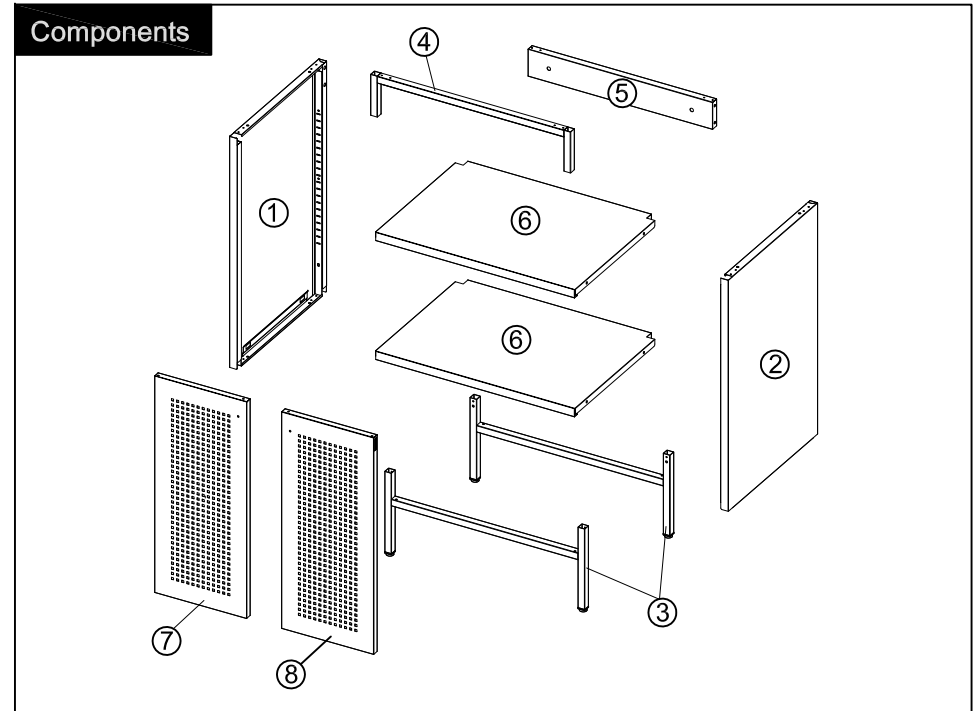


Step 15

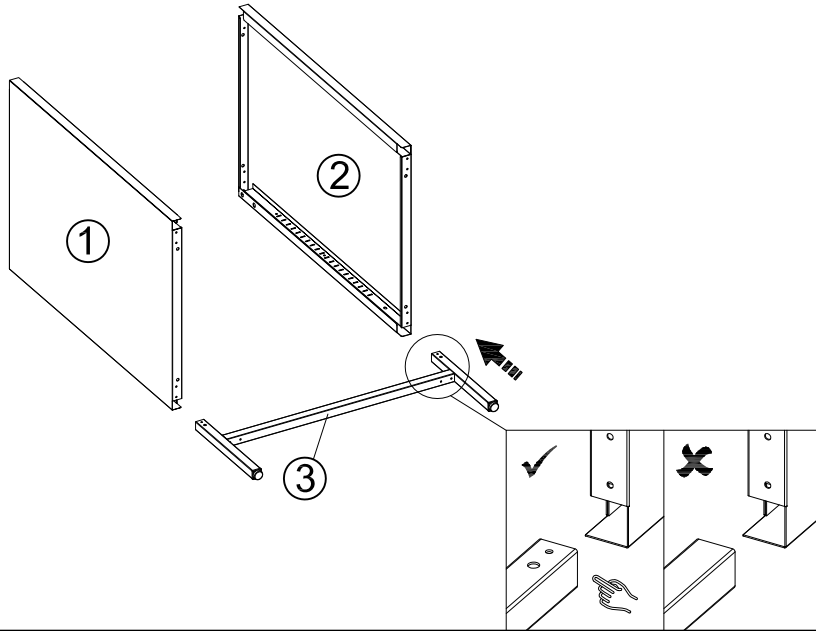


Finished

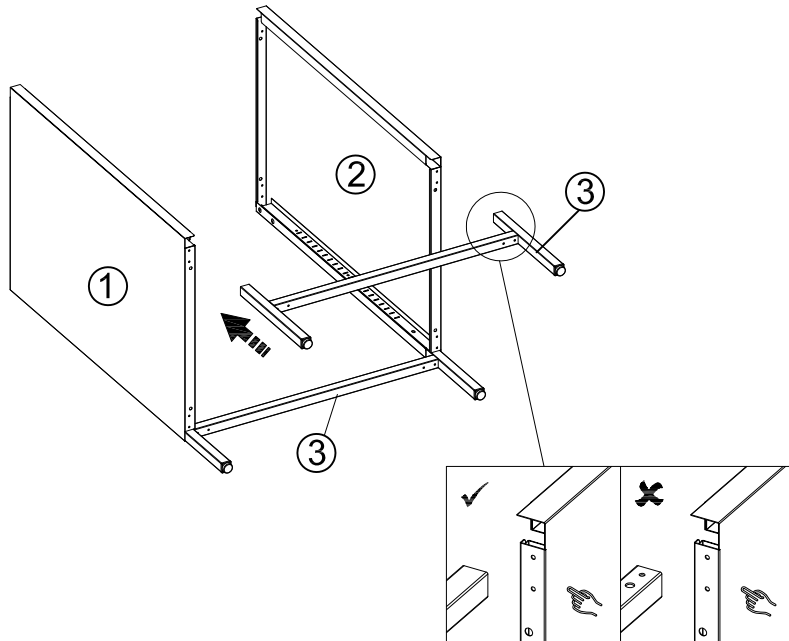
Components



Step 1

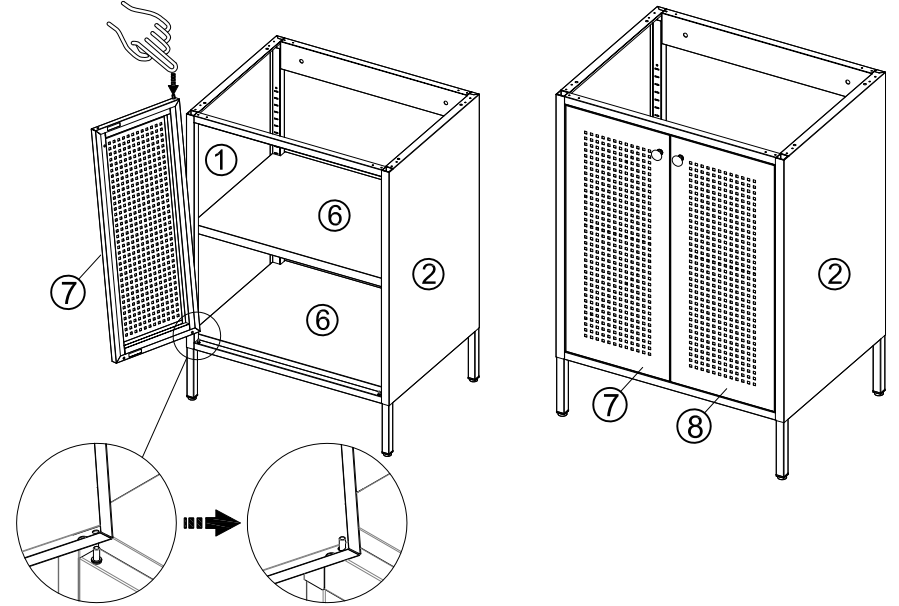


Step 2

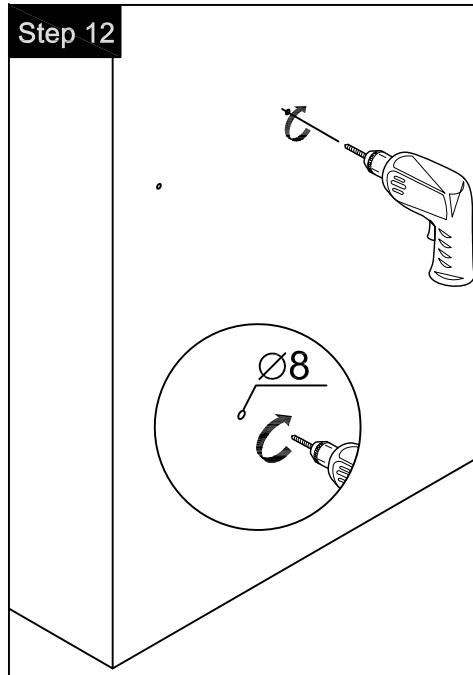


Step 11

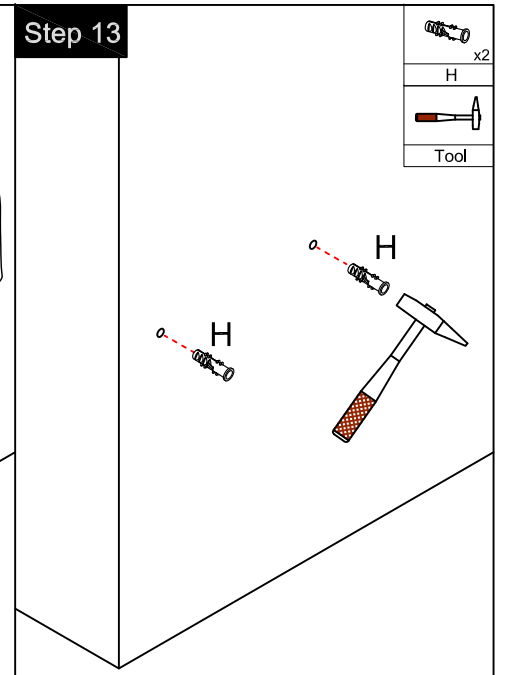
Press down on the gate shaft



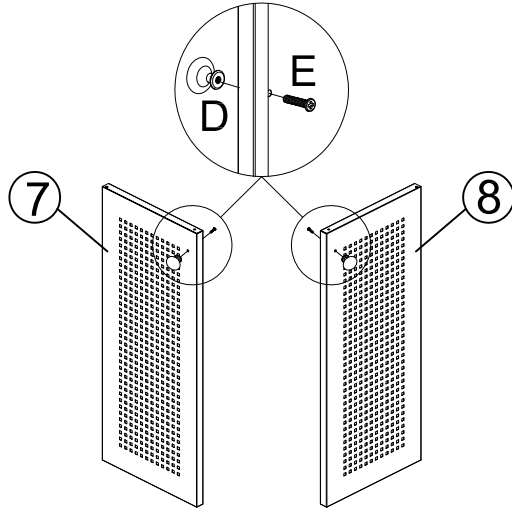
Step 12






Step 13

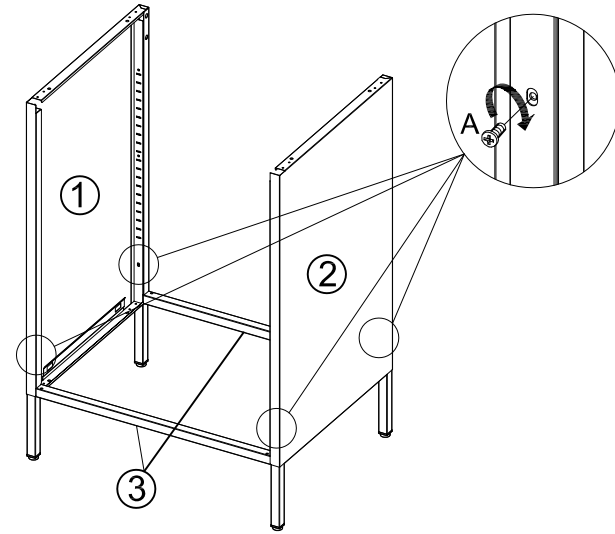




Step 9



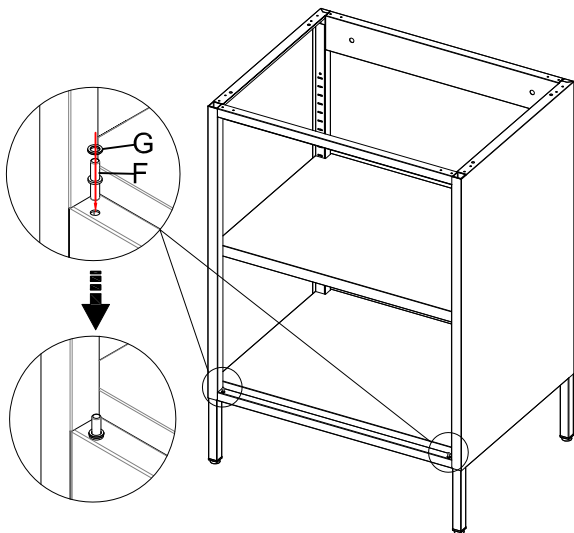
	x2
D	M4x22mm
	x2
E	
	
J	

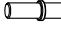

Step 3



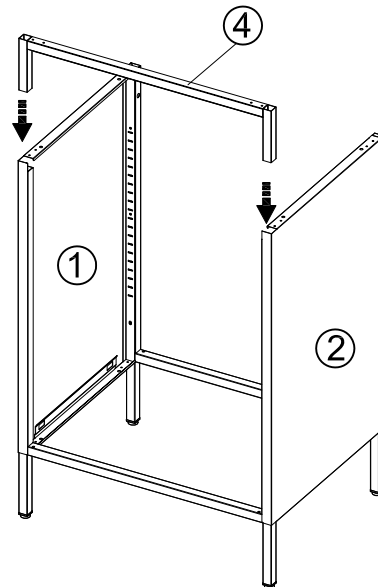
M4x8mm	
	x4
A	
	
J	

Step 10

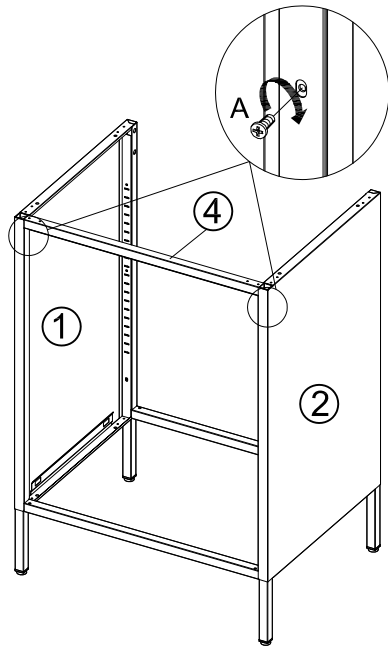


	x2
F	
	x2
G	

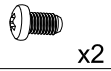
Step 4



Step 5



M4x8mm

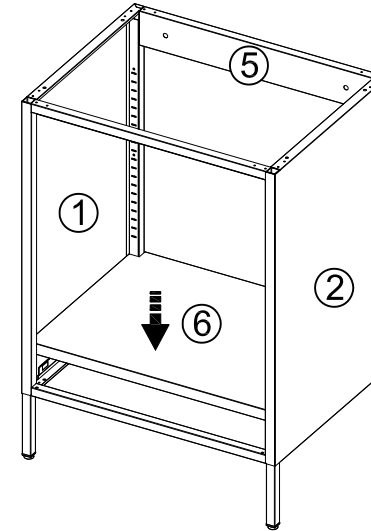


A

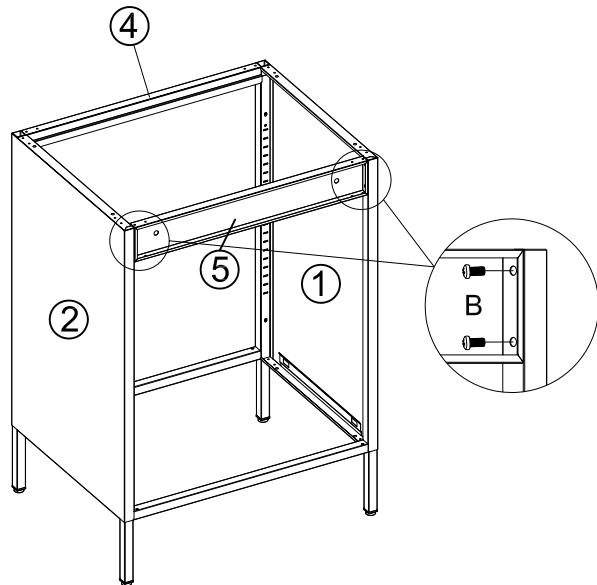


J

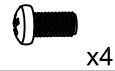
Step 7



Step 6



M6x12mm

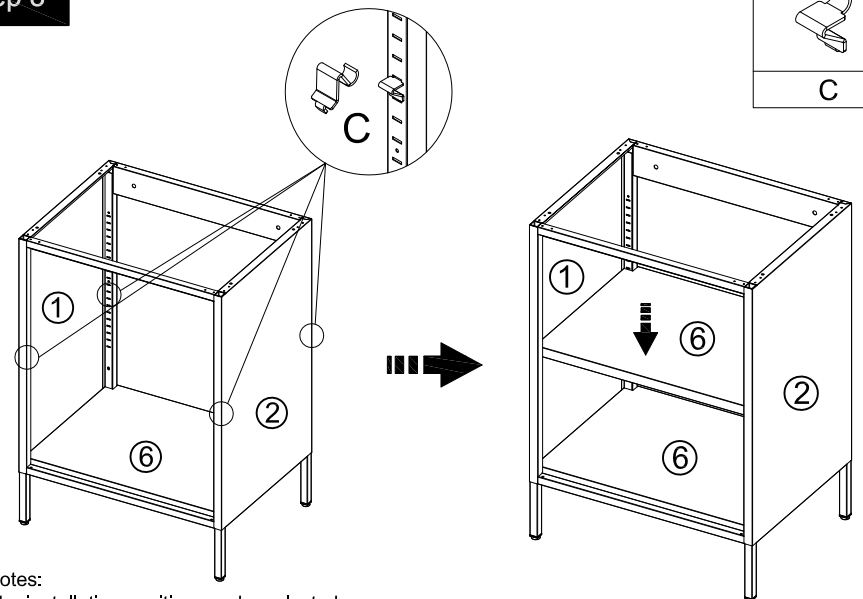


B



J

Step 8



C

Notes:
The installation position can be selected according to the required height.