

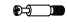





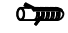

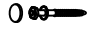

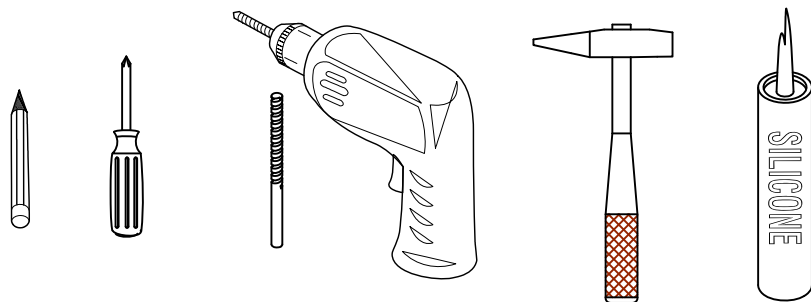


Item NO.:BV B06124 / BV B06130 / BV B06136

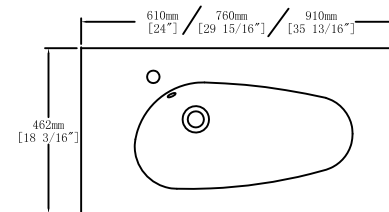
Hardware

NO.	Draw	QTY	NO.	Draw	QTY
A	 Screws Ø4x14mm	44	G	 Bracket (53x70x44mm)	2
B	 Two-in-one connector	17	H	 Bracket (19x19x35mm)	2
C	 Two-in-one connector	17	I	 Hinges	4
D	 Wood plug	4	J	 Anti-collision gasket	2
E	 Plastic anchor(Ø10mm)	4	K	 Door stopper	2
F	 Screws for fix on the wall	4	L	 Screwdriver	1

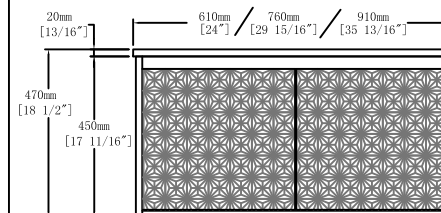
Recommended tools



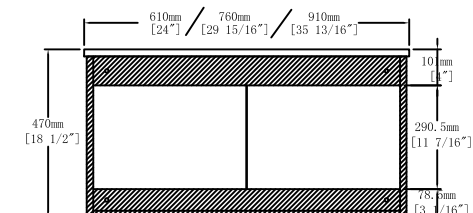
Dimensions



Top View



Front View

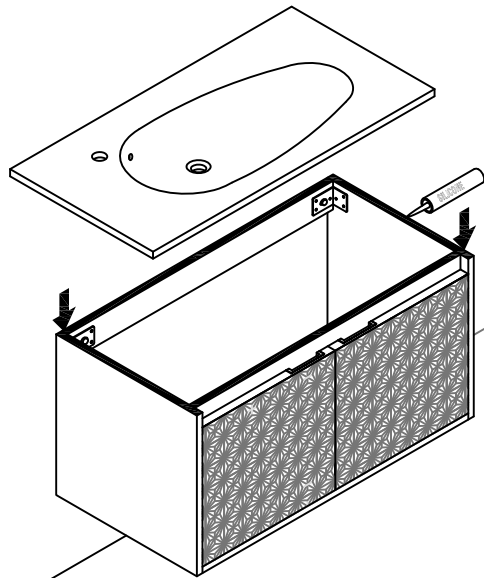


Back View

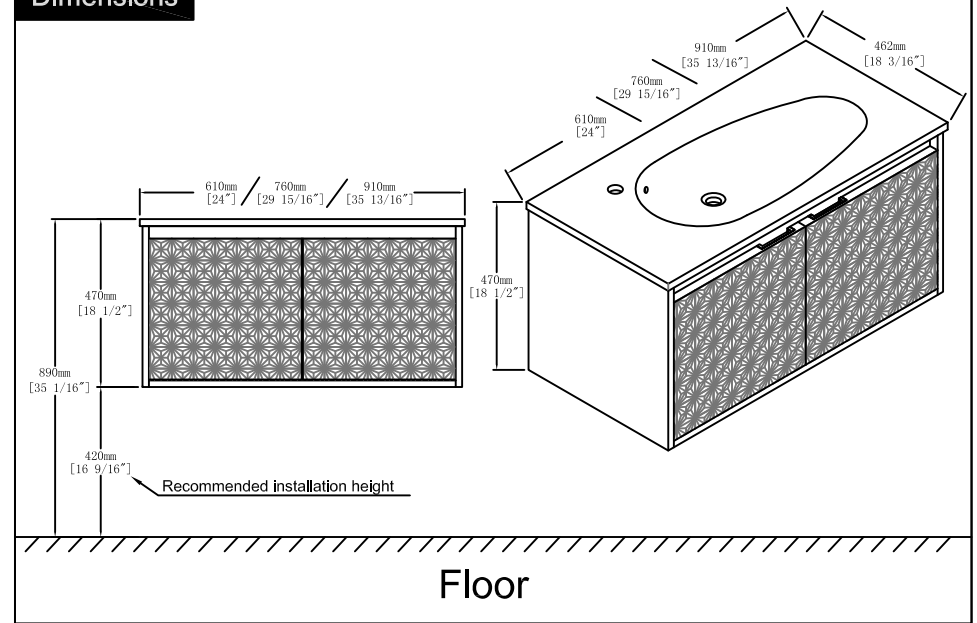
CARE CLEANING AND MAINTENANCE

1. Dust regularly with a soft , dry cloth.
2. Avoid the use of all chemicals household cleaners, abrasives, or cleaners that contain lemon, vinegar, or other acids that may damage the finish.
3. Excessive exposure to sunlight and extreme changes in temperature and moisture can damage wood furniture.
4. The sink top is resilient, but care needs to be taken to preserve its appearance.
5. Do not place hot appliances, such as curling irons and hot hair dryers directly on the countertop. Wipe spills immediately.

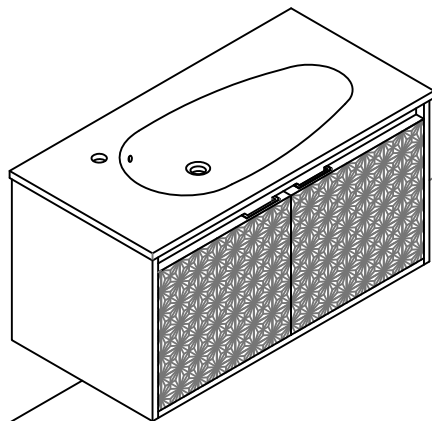
Step 13



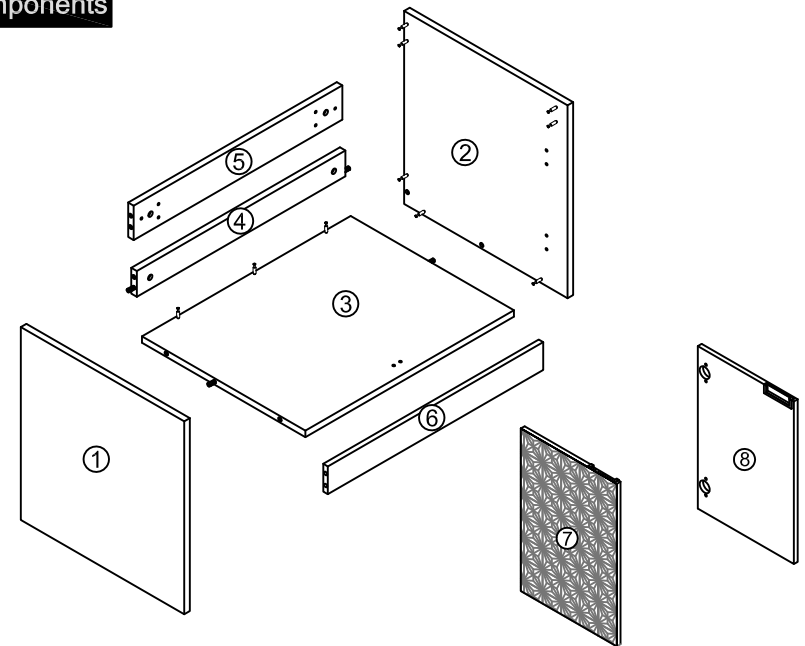
Dimensions



Finished



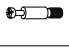


Components



Step 1

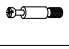



Attention: The lock handle arrow points to the side face.

Notes: Screw installation depth as shown

-  x3
-  x3
-  x1


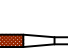
Step 2

Note: The D parts are used for these two holes

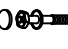

-  x3
-  x3
-  x2
-  x1

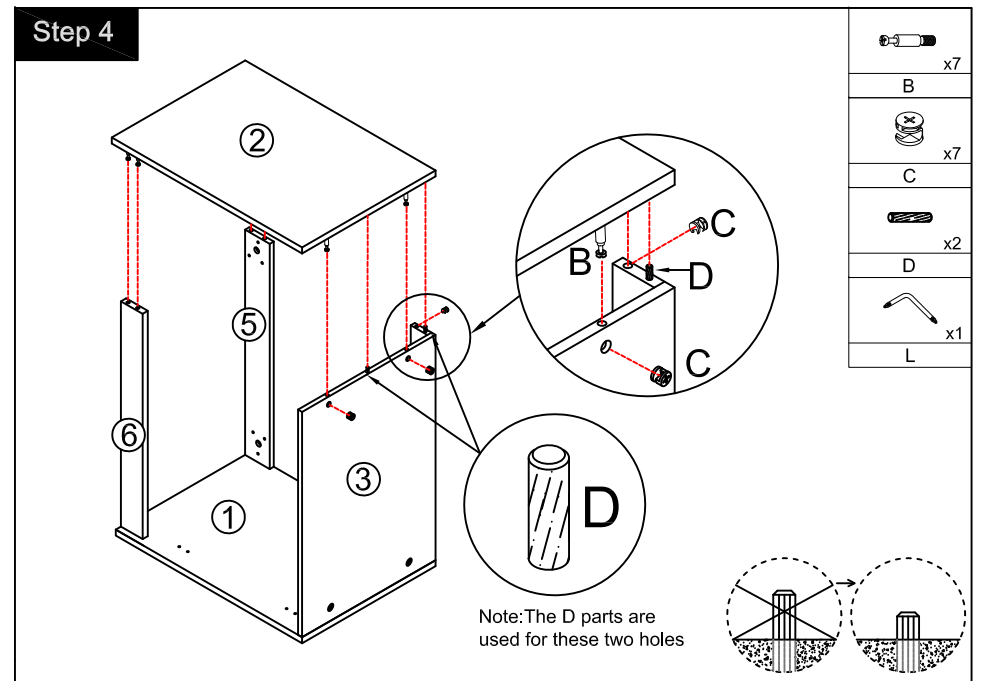
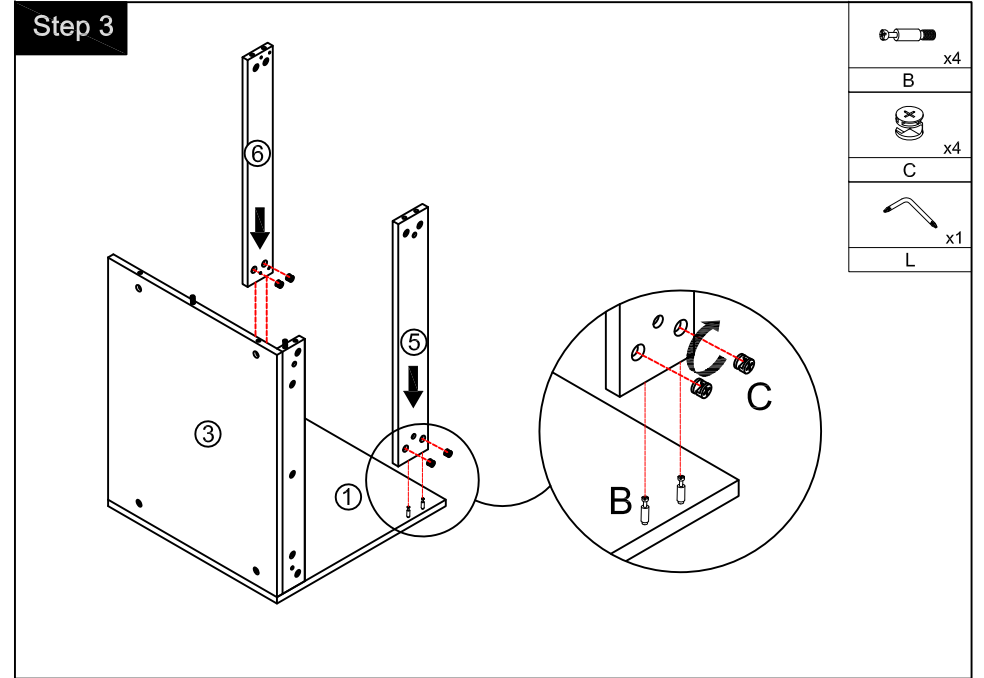
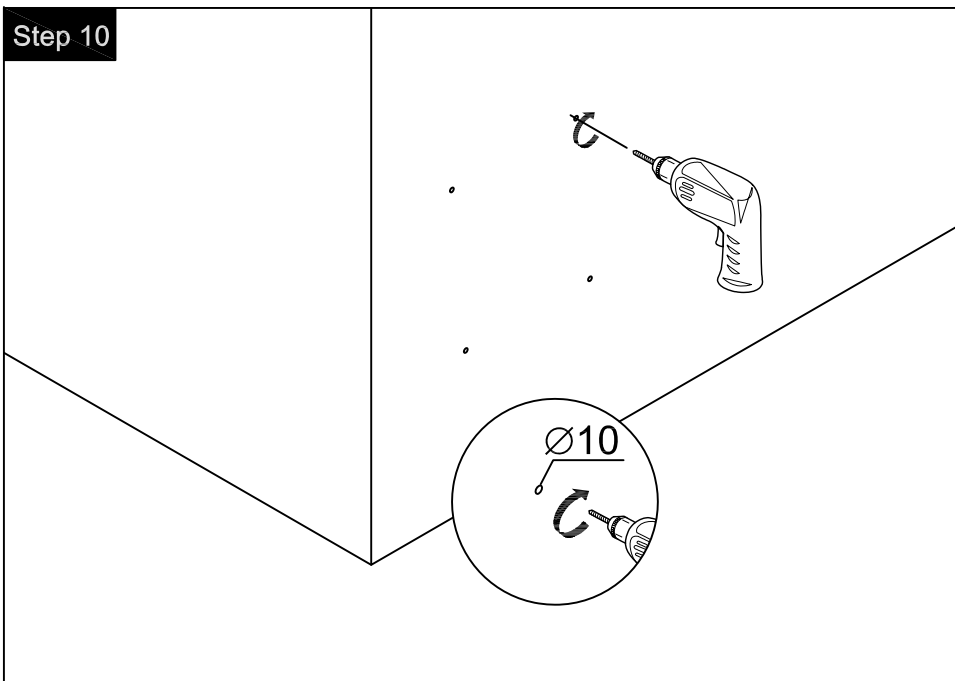
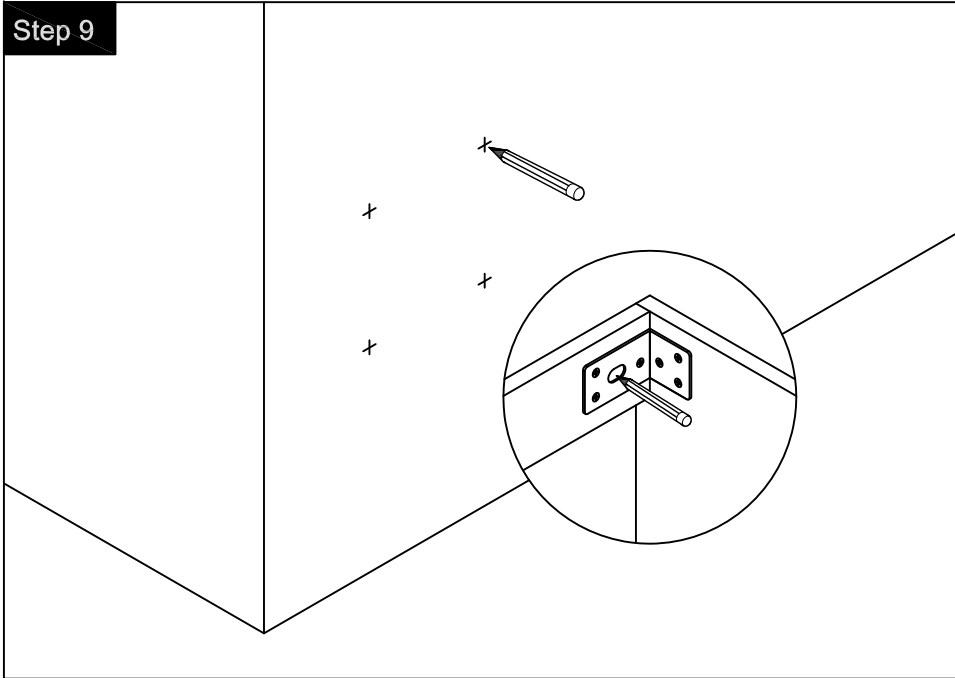
first step second step third step

Step 11

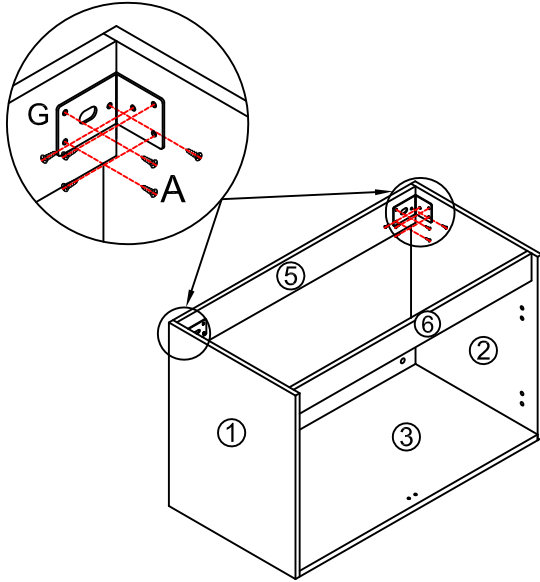
-  x4
- 




Step 12

-  x4
- 

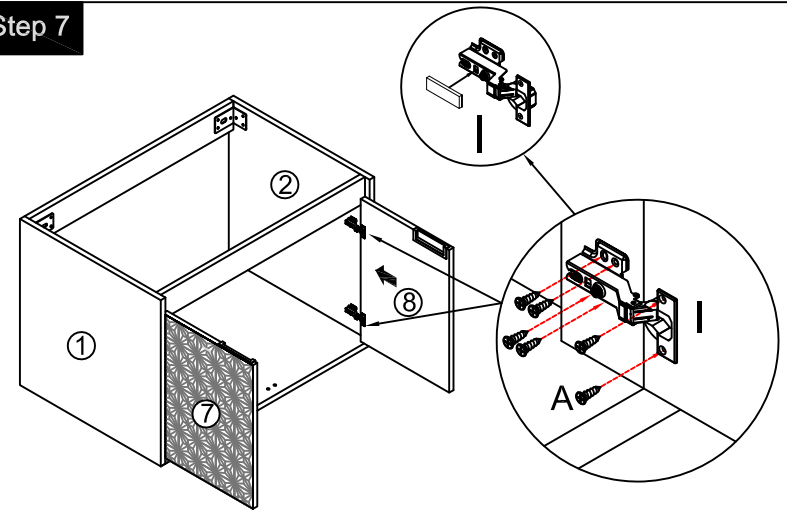





Step 5



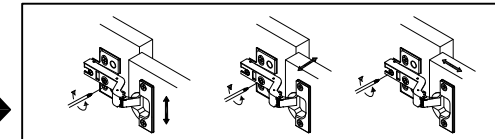
	x2
G	(∅4 x 14mm)
	x12
A	
	
Tool	

Step 7

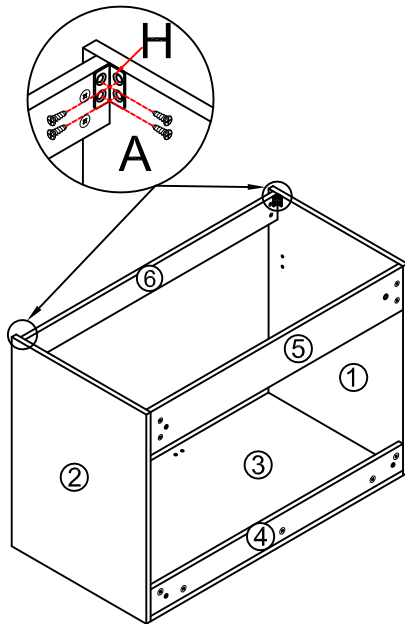





	x4
I	(∅4 x 14mm)
	x24
A	
	
Tool	

You can adjust the doors by tightening or loosening the screws on the hinge. →

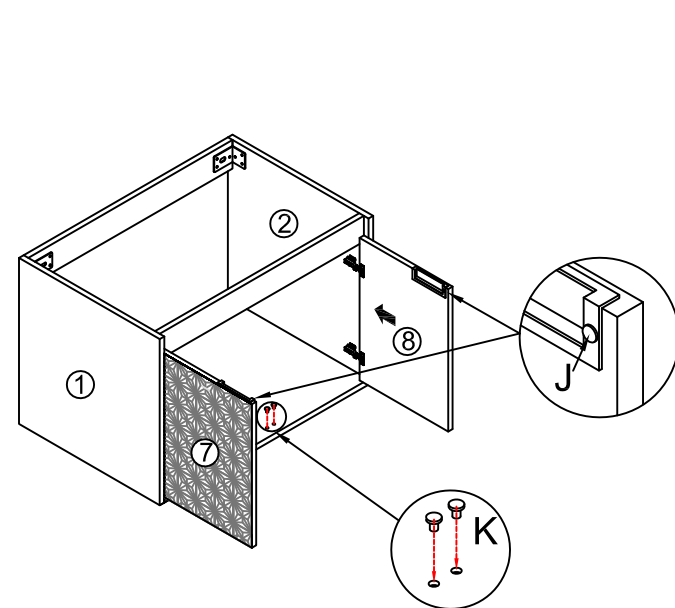




Step 6



	x2
H	(∅4 x 14mm)
	x8
A	
	
Tool	

Step 8



	x2
J	
	x2
K	