

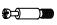







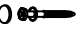



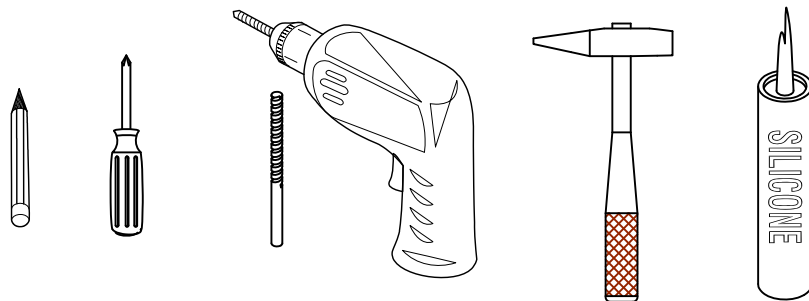


Item NO.:BV B05948

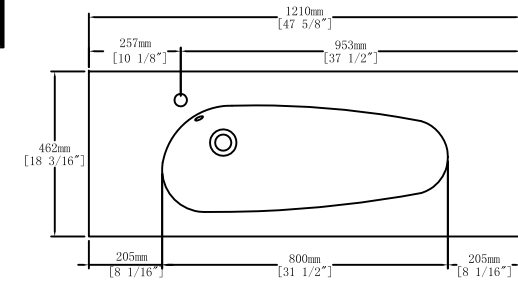
Hardware

NO.	Draw	QTY	NO.	Draw	QTY
A	 Screws Ø4x14mm	56	I	 Hinges (Internal hiding)	4
B	 Two-in-one connector	24	J	 Hinges (Half cover)	2
C	 Two-in-one connector	24	K	 Screws Ø4x25mm	1
D	 Wood plug	5	L	 Door stopper	2
E	 Plastic anchor(Ø10mm)	4	M	 Anti-collision gasket	4
F	 Screws for fix on the wall	4	N	 Screwdriver	1
G	 Bracket (53x70x44mm)	2			
H	 Bracket (19x19x35mm)	2			

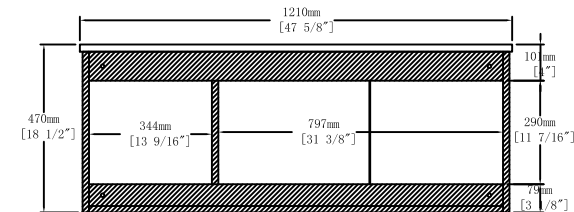
Recommended tools



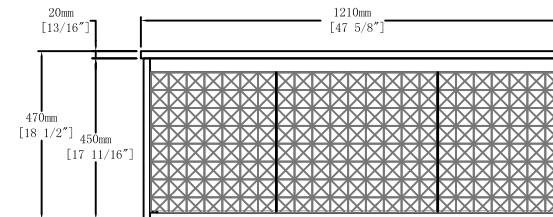
Dimensions



Top View



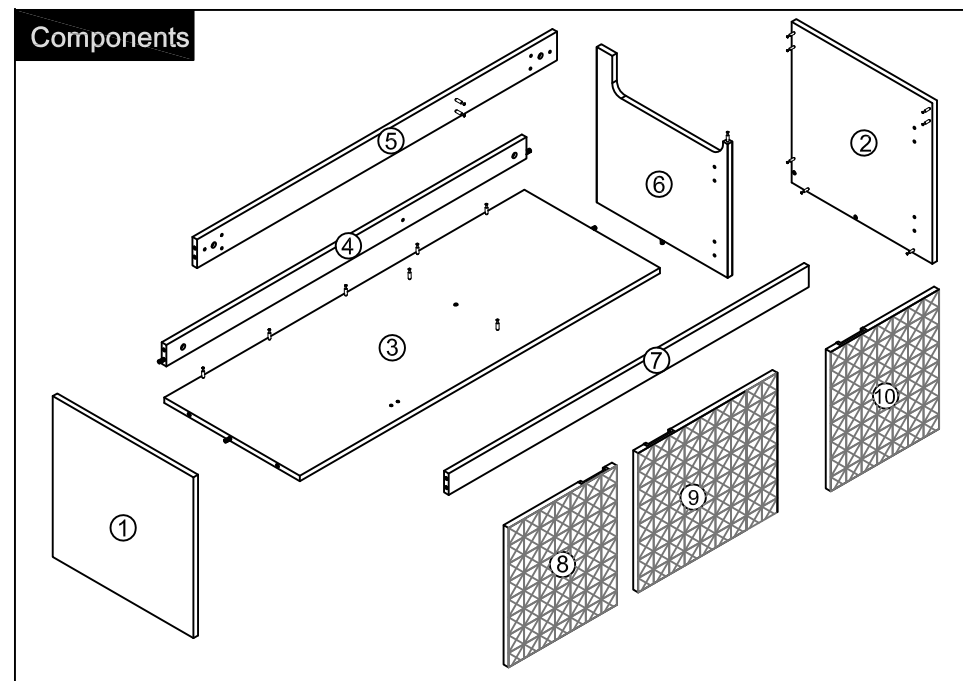
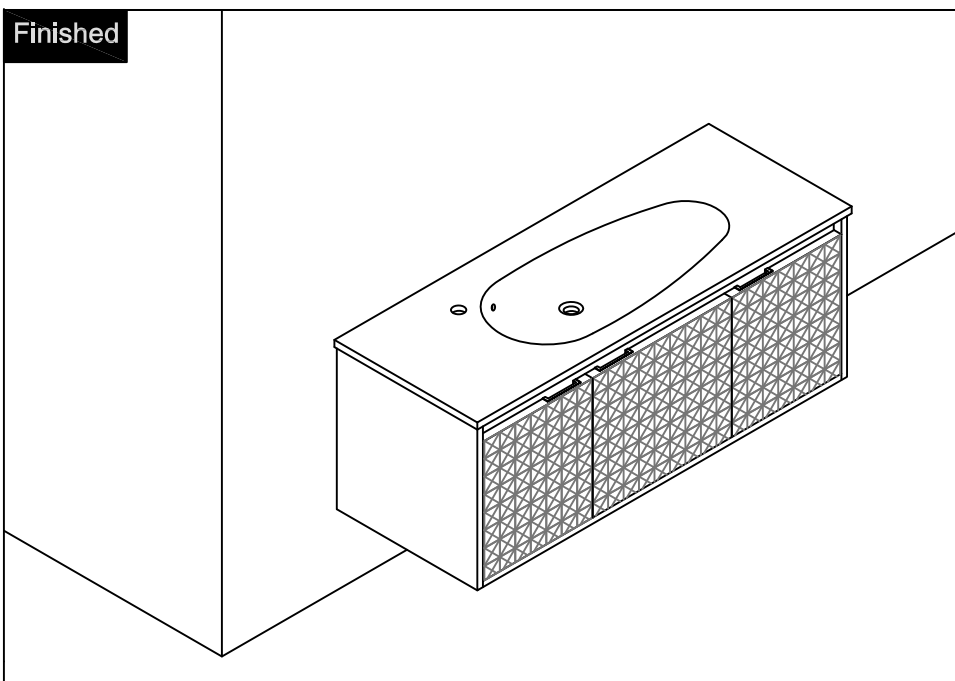
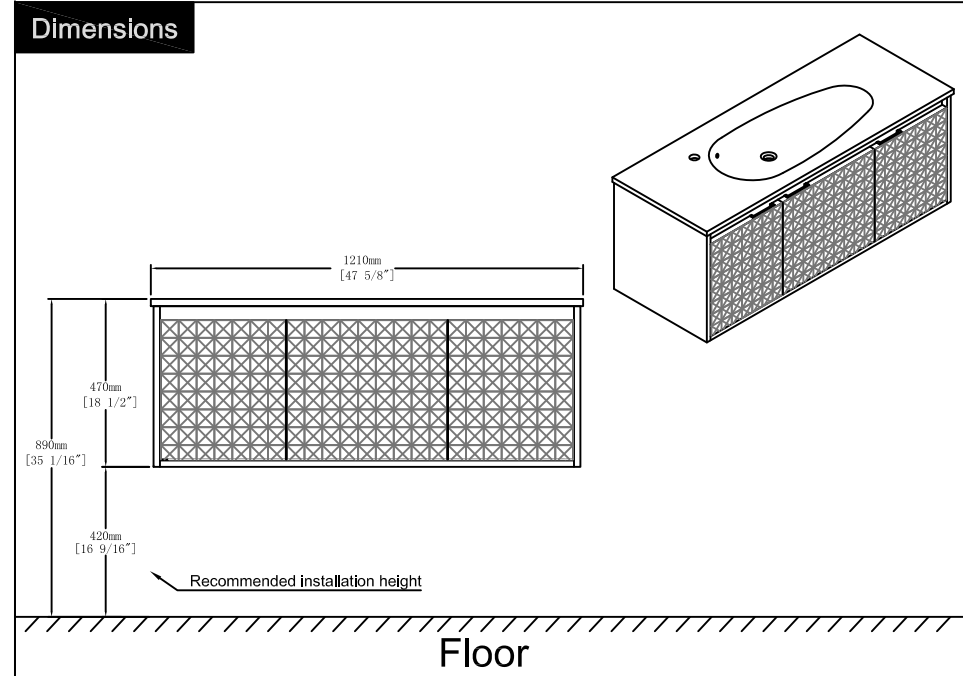
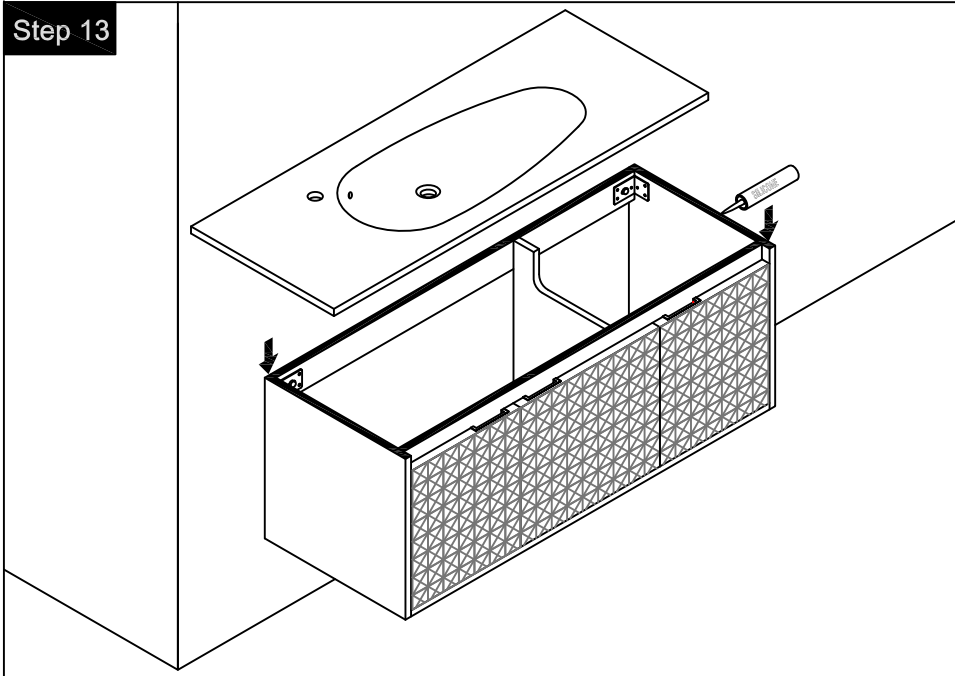
Back View



Front View

CARE CLEANING AND MAINTENANCE

1. Dust regularly with a soft , dry cloth.
2. Avoid the use of all chemicals household cleaners, abrasives, or cleaners that contain lemon, vinegar, or other acids that may damage the finish.
3. Excessive exposure to sunlight and extreme changes in temperature and moisture can damage wood furniture.
4. The sink top is resilient, but care needs to be taken to preserve its appearance.
5. Do not place hot appliances, such as curling irons and hot hair dryers directly on the countertop. Wipe spills immediately.



Step 1

		x5
		B
		x5
		C
		x1
	N	

Notes: Screw installation depth as shown

Attention: Cam lock arrow point to the steel rod.

Step 2

Note: The D parts are used for this hole.

		x2
Tool	B	
		x2
		C
		x1
	D	(Ø4 x 25mm)
		x1
	K	
		x1
	N	

first step

second step

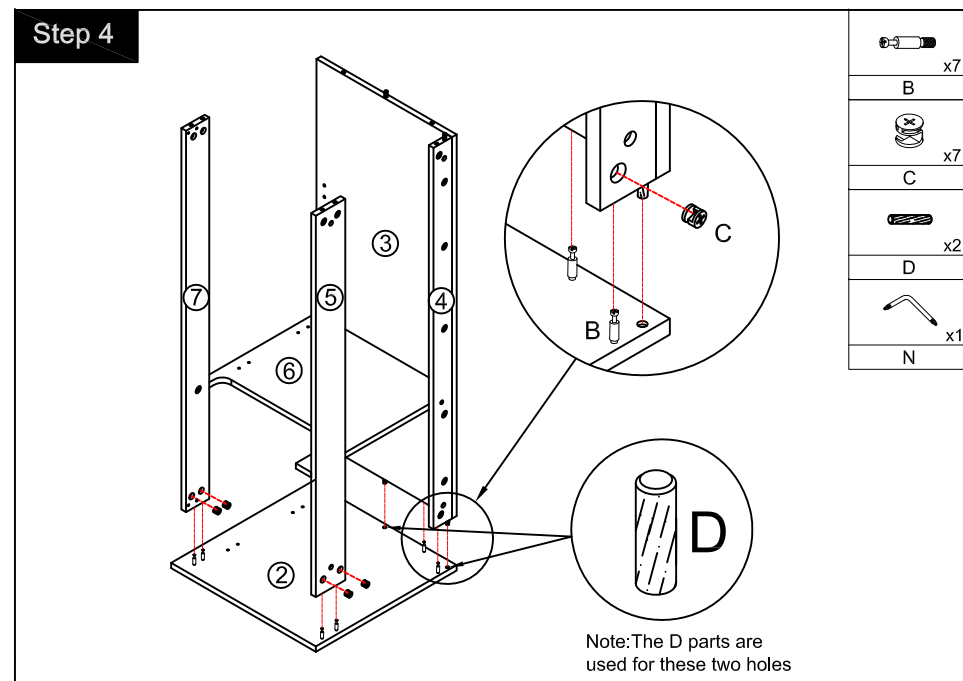
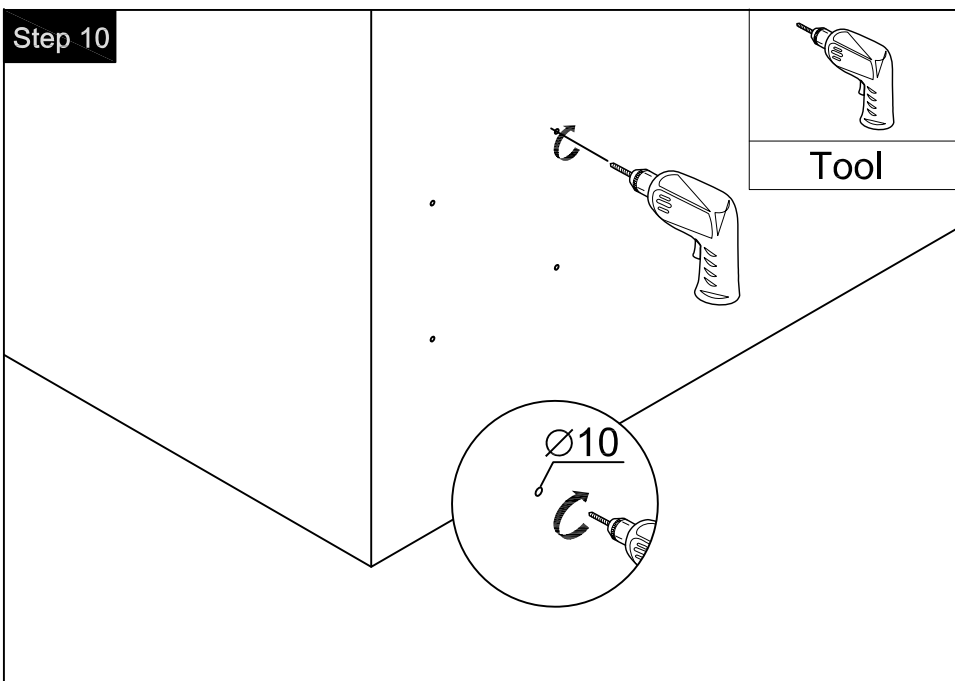
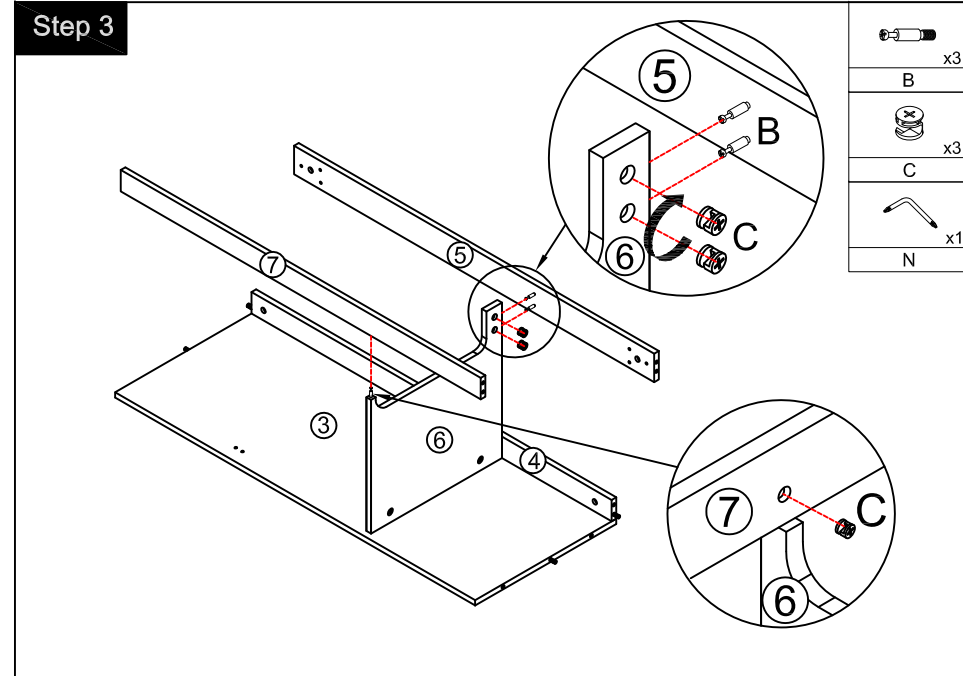
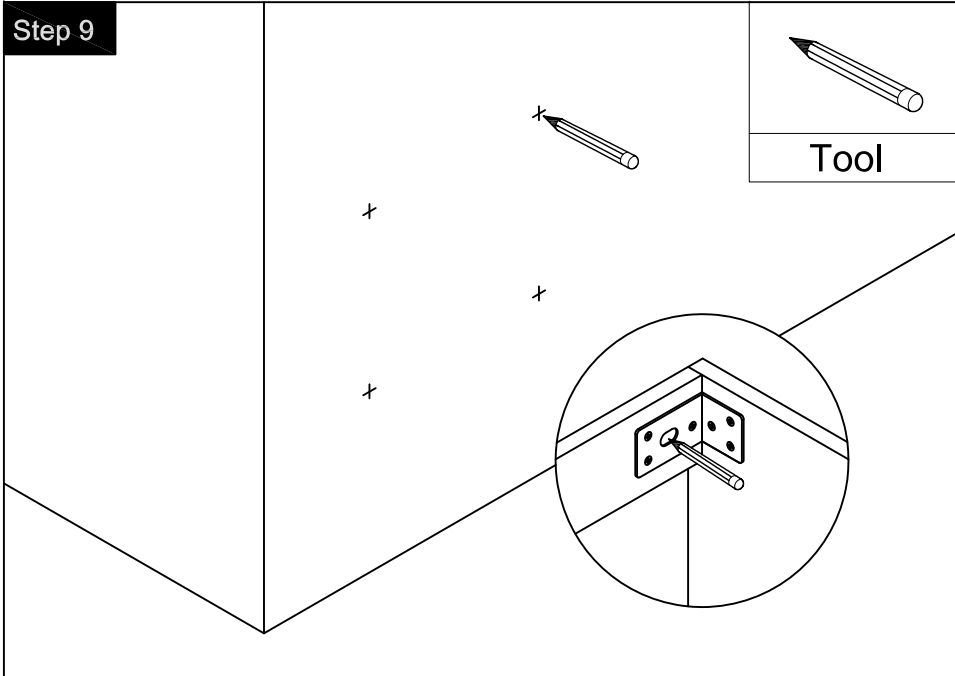
third step

Step 11

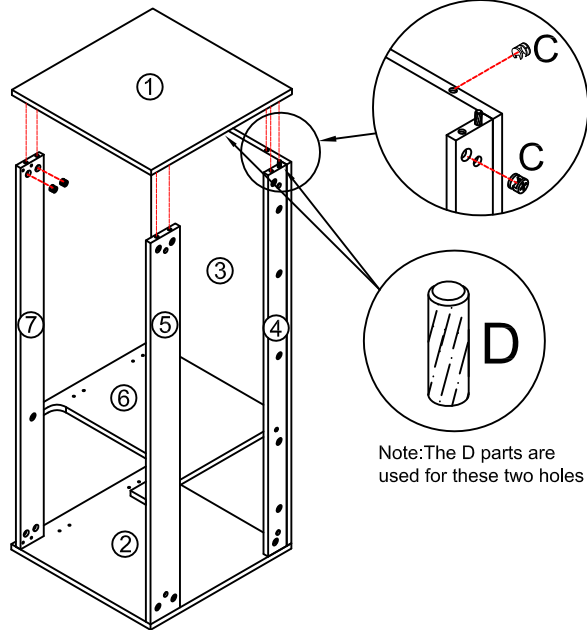
		x4
	E	
		Tool

Step 12

		x4
	F	
		Tool



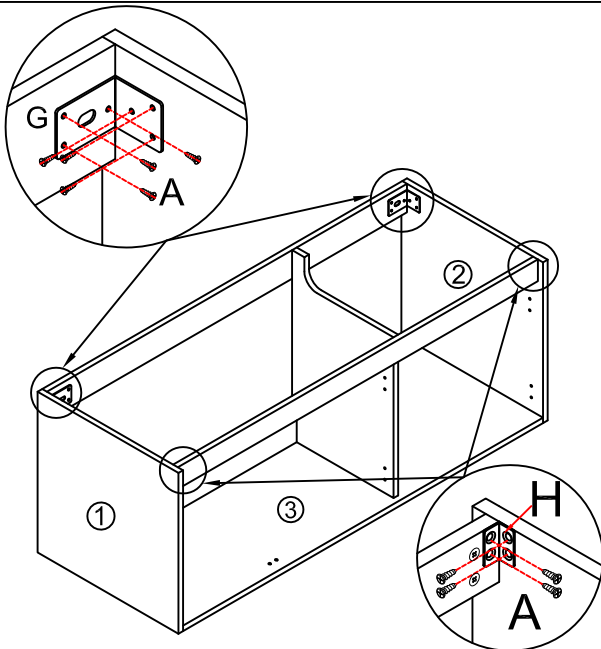
Step 5



	x7
B	
	x7
C	
	x2
D	
	x1
N	

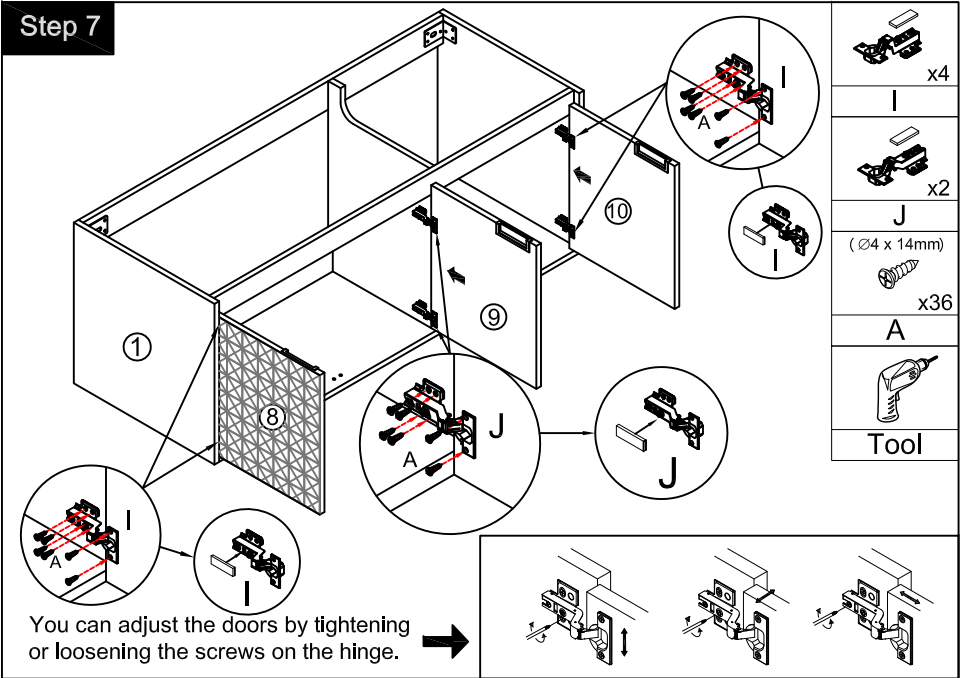
Note: The D parts are used for these two holes

Step 6



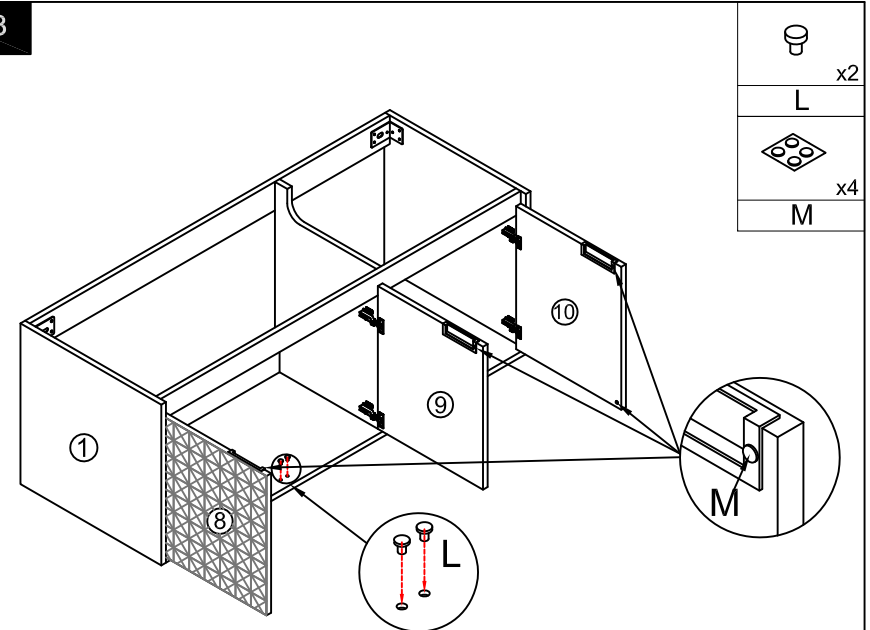
	x2
G	
	x2
H	
($\varnothing 4 \times 14\text{mm}$)	
	x20
A	
Tool	

Step 7



	x4
I	
	x2
J	
($\varnothing 4 \times 14\text{mm}$)	
	x36
A	
Tool	

Step 8



	x2
L	
	x4
M	