


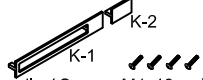













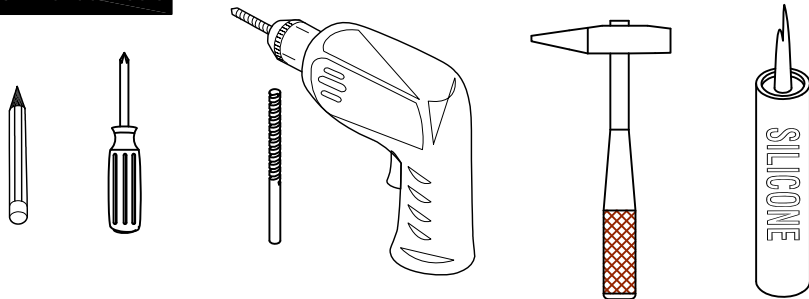


Item NO.:BV B00336

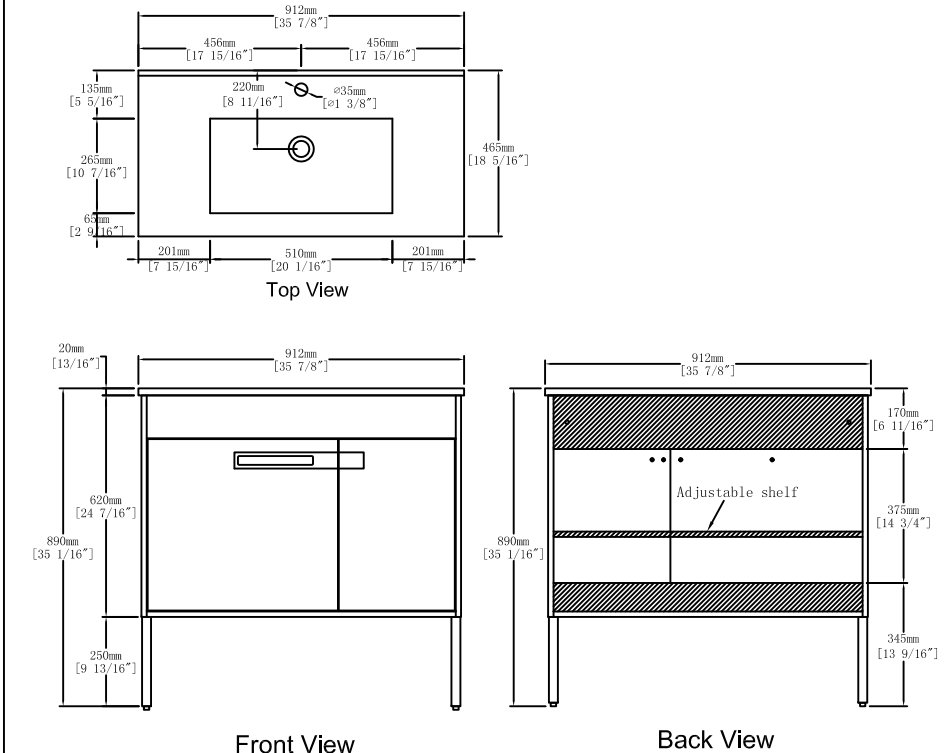
Hardware

NO.	Draw	QTY	NO.	Draw	QTY
A	 Screws Ø4x14mm	60	J	 Hinges	6
B	 Two-in-one connector	21	K	 Handle (Screws M4x18mm)	1
C	 Two-in-one connector	21	L	 Feet	4
D	 Wood plug	4	M	 Screws M4x14mm	16
E	 Plastic anchor(Ø10mm)	2	N	 Bracket (14x14x28mm)	1
F	 Screws for fix on the wall	2	O	 Anti-collision gasket	2
G	 Bracket (53x70x44mm)	2	P	 Movable laminate support	4
H	 Bracket (19x19x35mm)	2	Q	 Screwdriver	1
I	 Door stopper	2			

Recommended tools



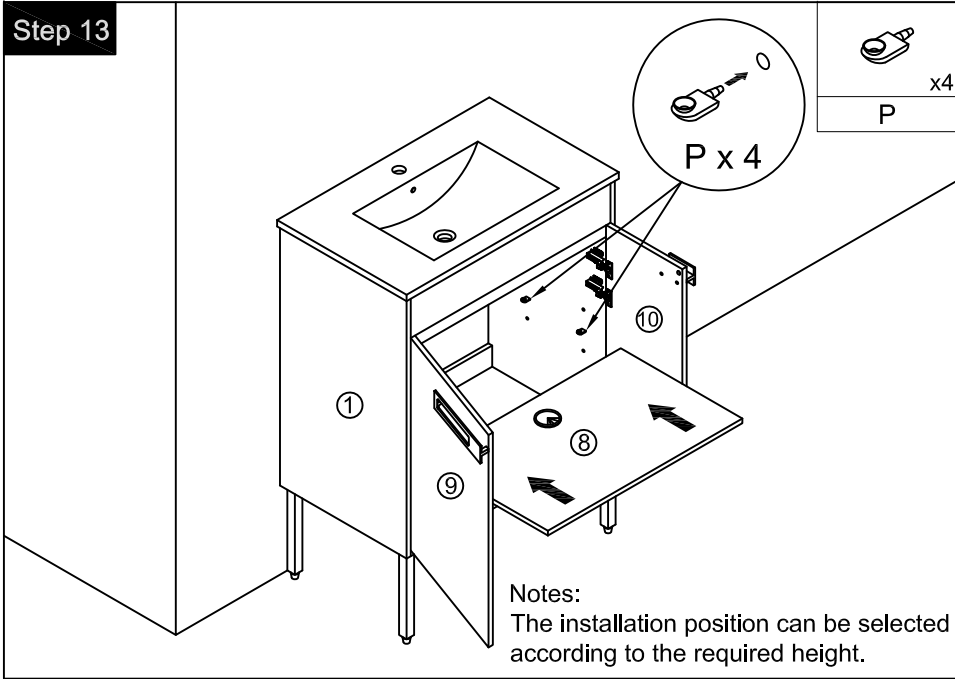
Dimensions



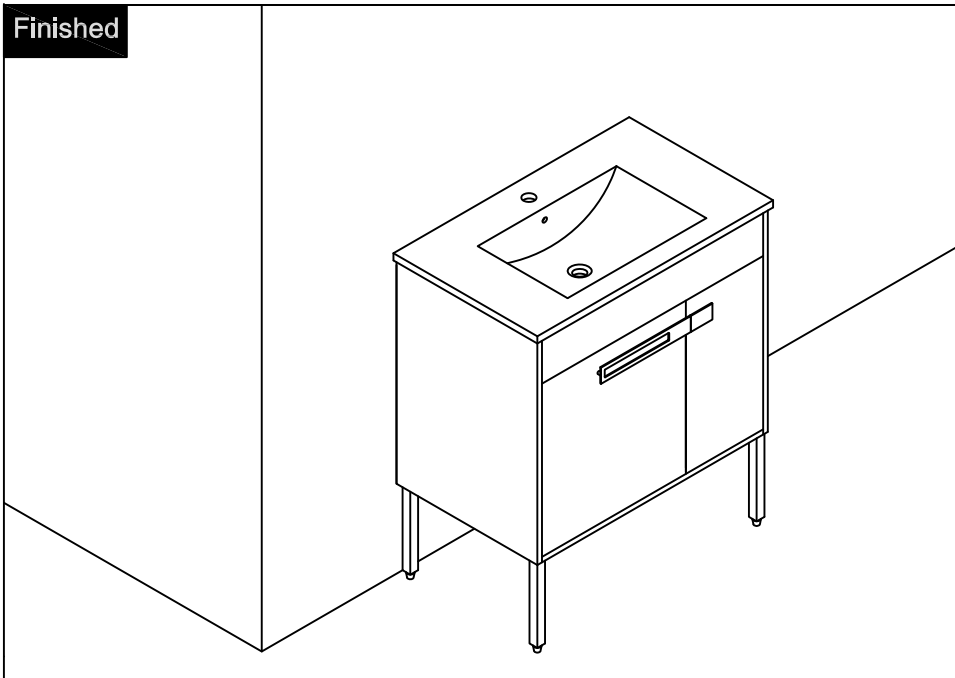
CARE CLEANING AND MAINTENANCE

1. Dust regularly with a soft , dry cloth.
2. Avoid the use of all chemicals household cleaners, abrasives, or cleaners that contain lemon, vinegar, or other acids that may damage the finish.
3. Excessive exposure to sunlight and extreme changes in temperature and moisture can damage wood furniture.
4. The sink top is resilient, but care needs to be taken to preserve its appearance.
5. Do not place hot appliances, such as curling irons and hot hair dryers directly on the countertop. Wipe spills immediately.

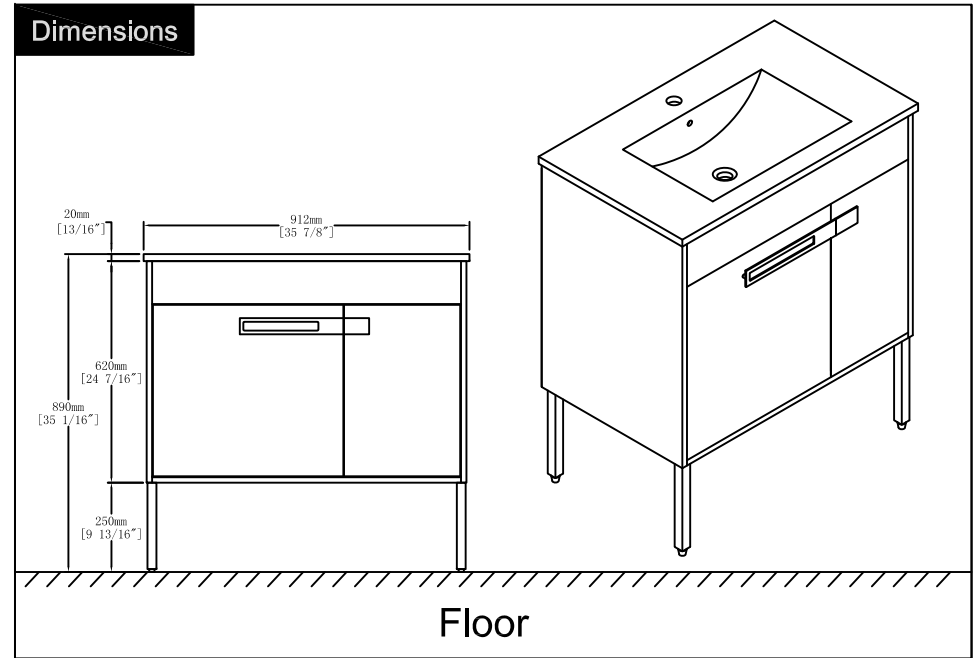
Step 13



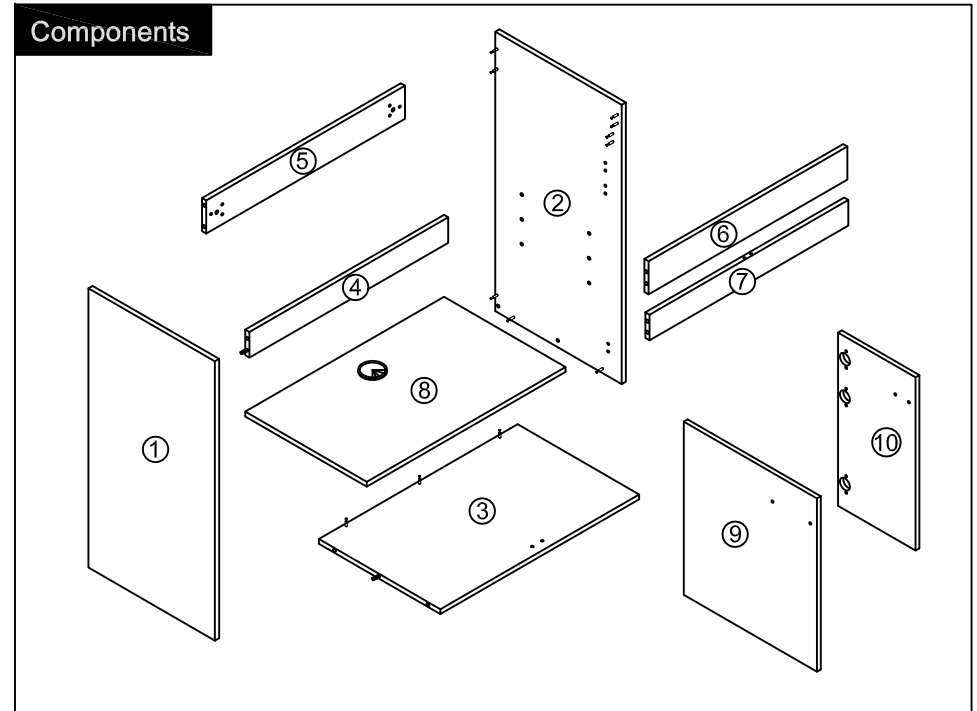
Finished



Dimensions



Components



Step 1

Notes: Screw installation depth as shown

Attention: Cam lock arrow point to the steel rod.

- B x3
- C x3
- Q x1

Step 2

Note: The D parts are used for these two holes

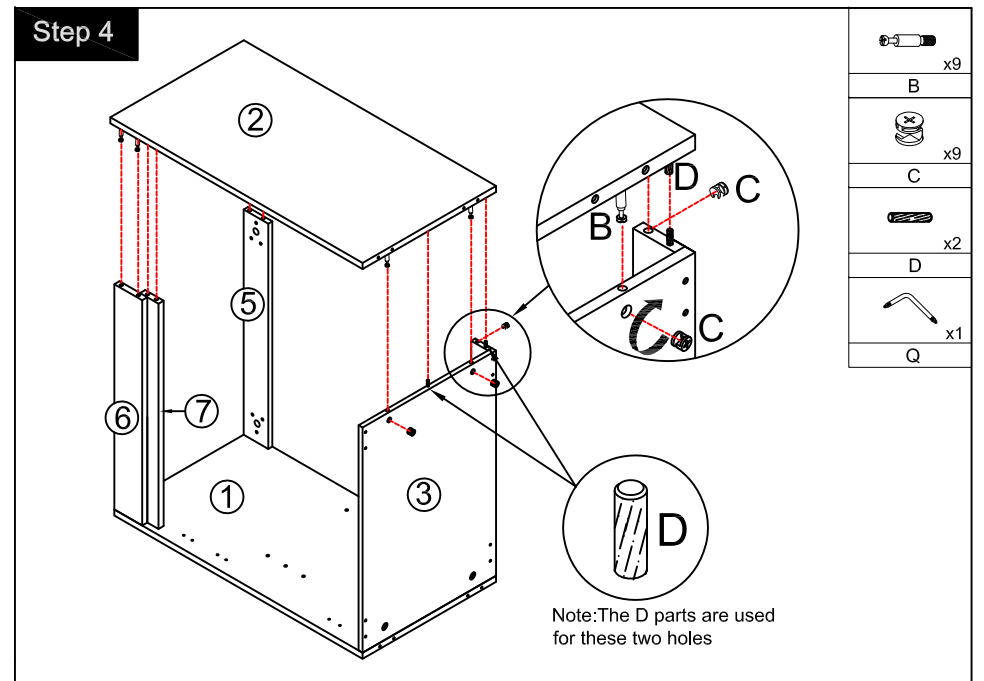
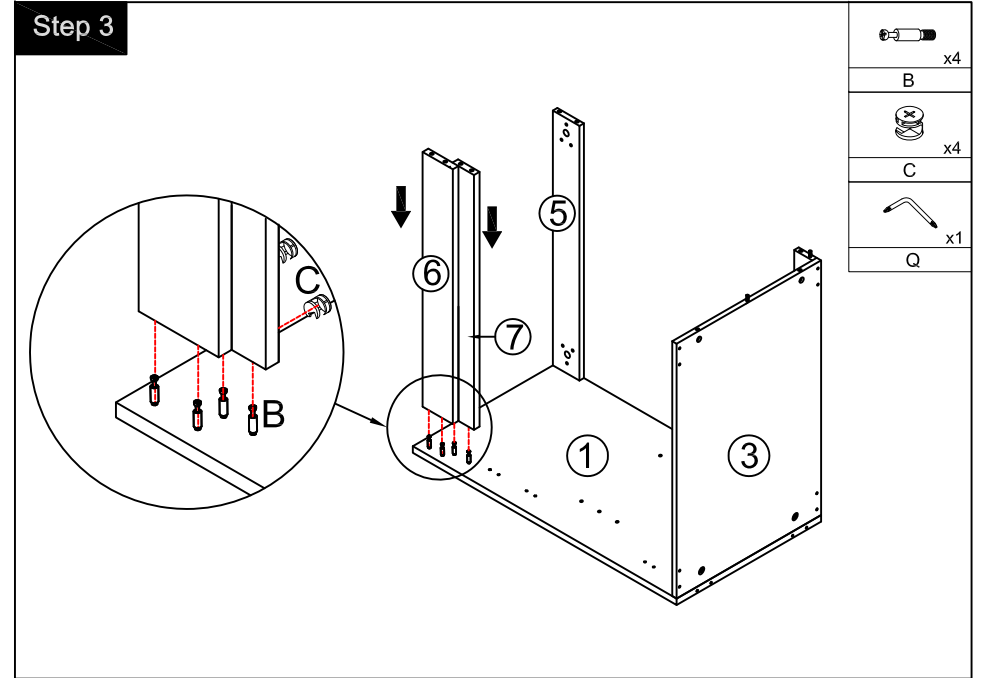
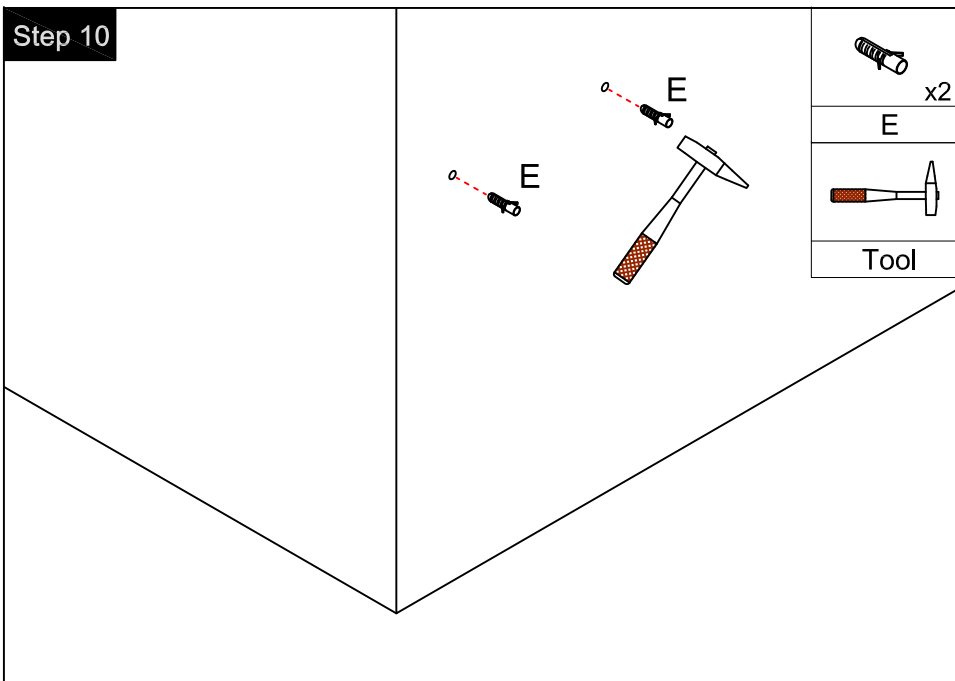
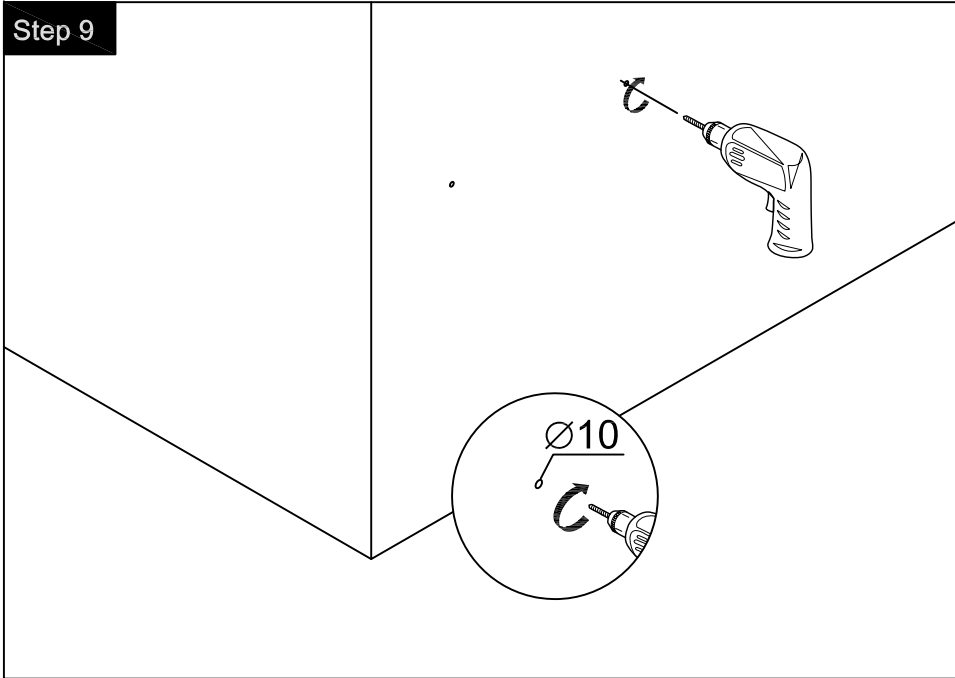
first step second step third step

- B x5
- C x5
- D x2
- Q x1

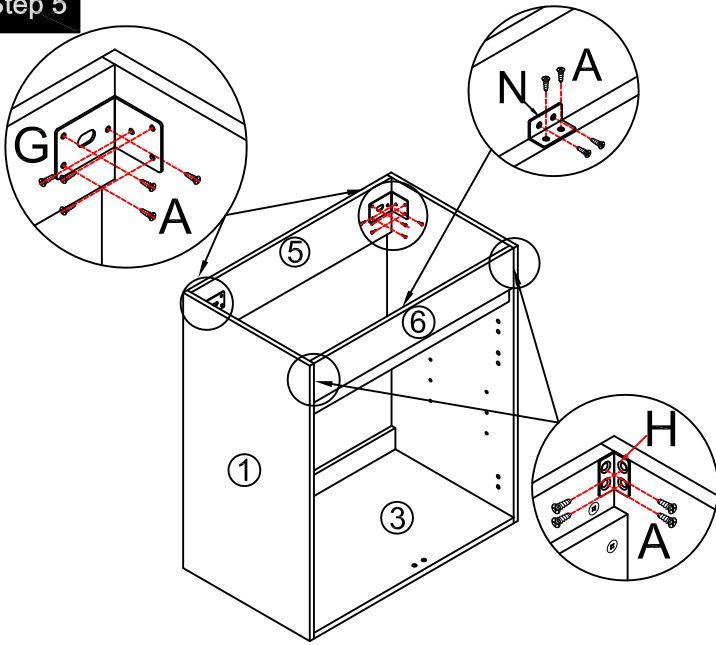
Step 11

- F x2
- Tool

Step 12

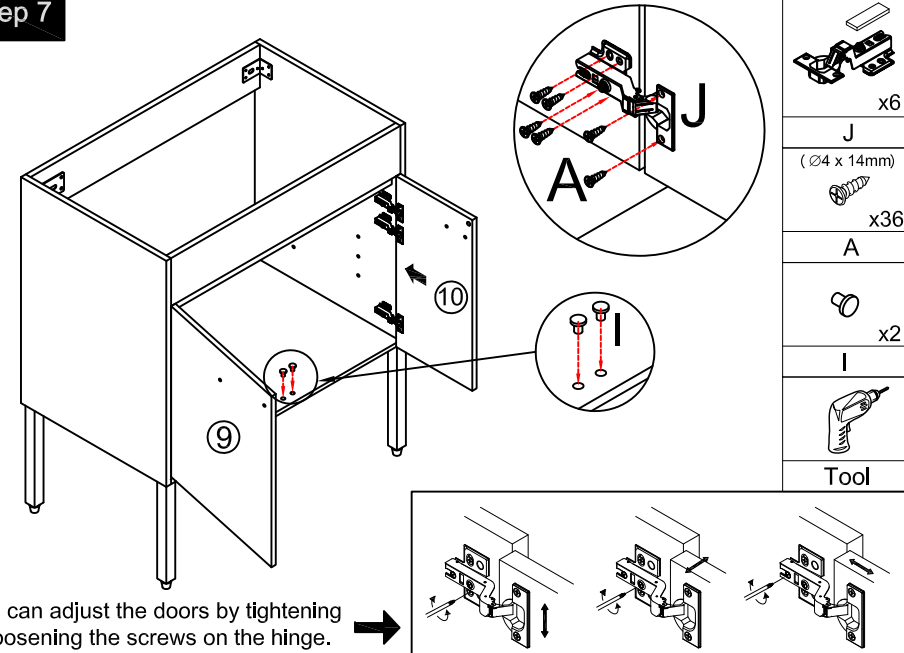


Step 5



	x2
	x2
	x1
	x24
Tool	

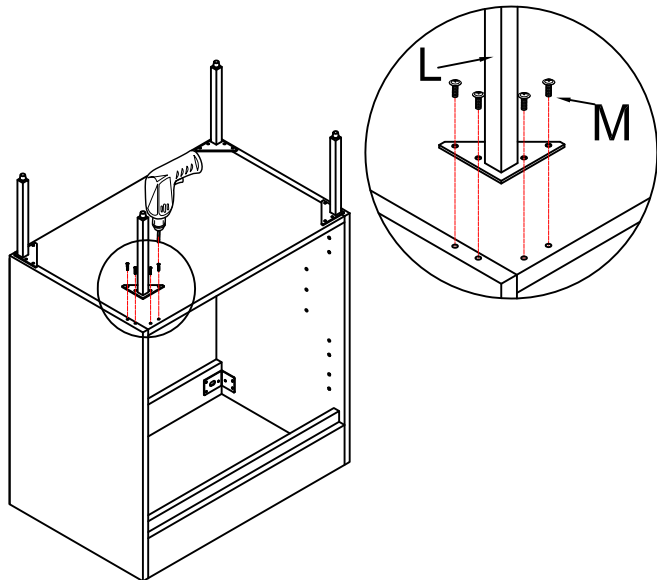
Step 7



You can adjust the doors by tightening or loosening the screws on the hinge. →

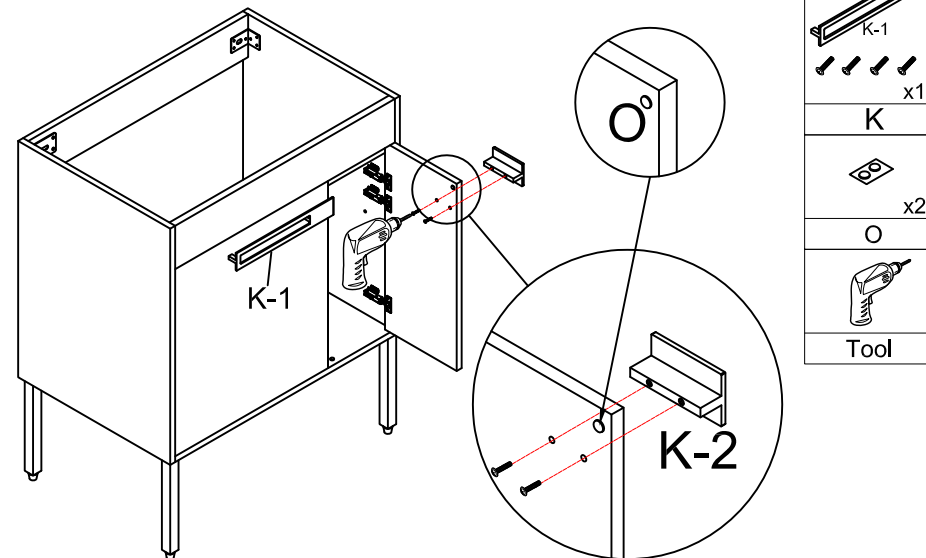
	x6
	x36
	x2
Tool	

Step 6



	x4
	x16
Tool	

Step 8



	x2
	x1
	x2
Tool	