

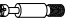

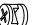
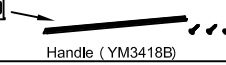




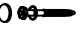




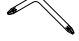

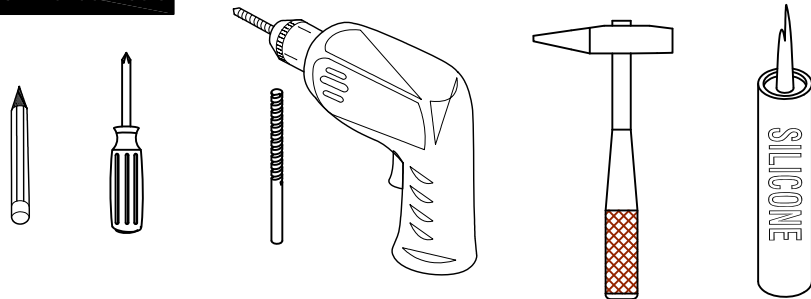


# Item NO.:BV B06724 / BV B06730

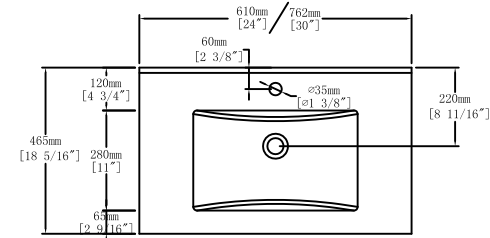
## Hardware

NO.	Draw	QTY	NO.	Draw	QTY
A	 Screws Ø4x14mm	44	J	 Hinges ( Internal hiding )	4
B	 Two-in-one connector	20	K	 Handle ( YM3419B )	1
C	 Two-in-one connector	20	L	 Handle ( YM3418B )	1
D	 Wood plug	6	M	 Movable laminate support	4
E	 Plastic anchor(Ø10mm)	2	N	 Metal Feet	4
F	 Screws for fix on the wall	2	O	 Screws M4x14mm	16
G	 Bracket (53x70x44mm)	2	P	 Anti-collision gasket	2
H	 Bracket (19x19x35mm)	2	Q	 Screwdriver	1
I	 Door stopper	2			

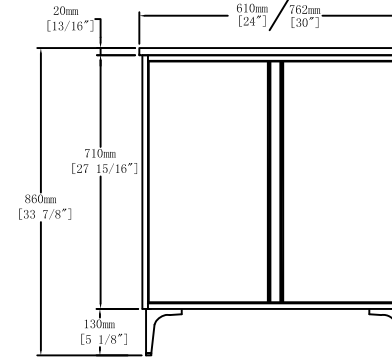
## Recommended tools



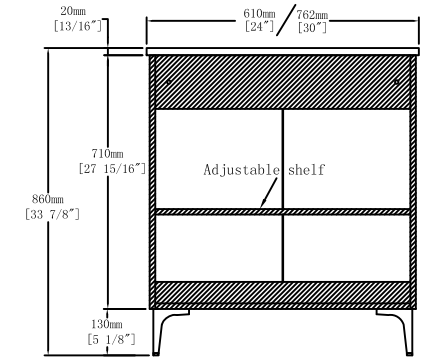
## Dimensions



Top View



Front View

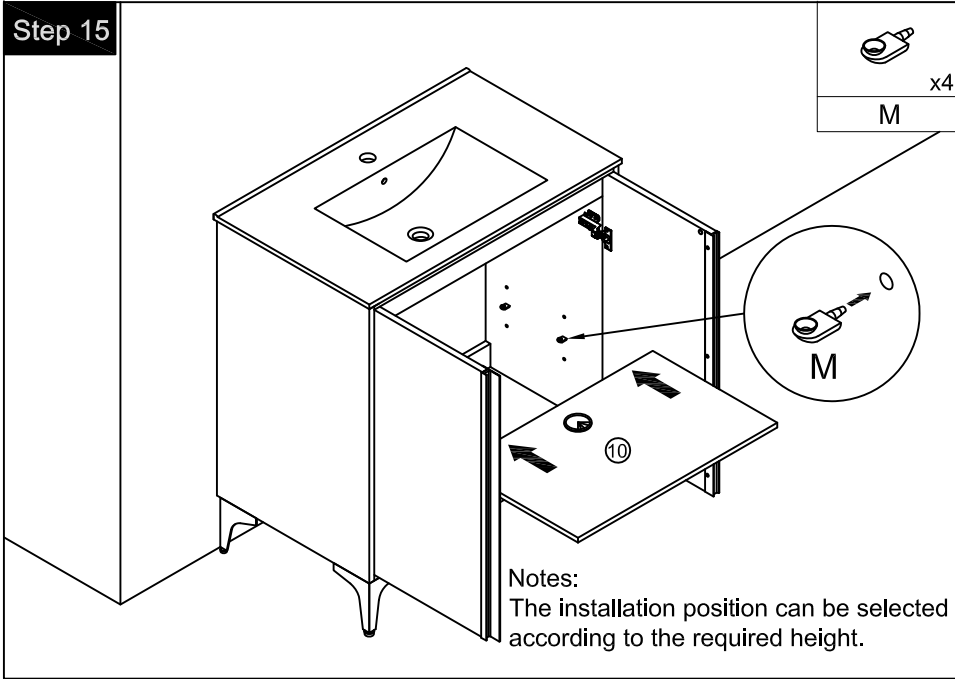


Back View

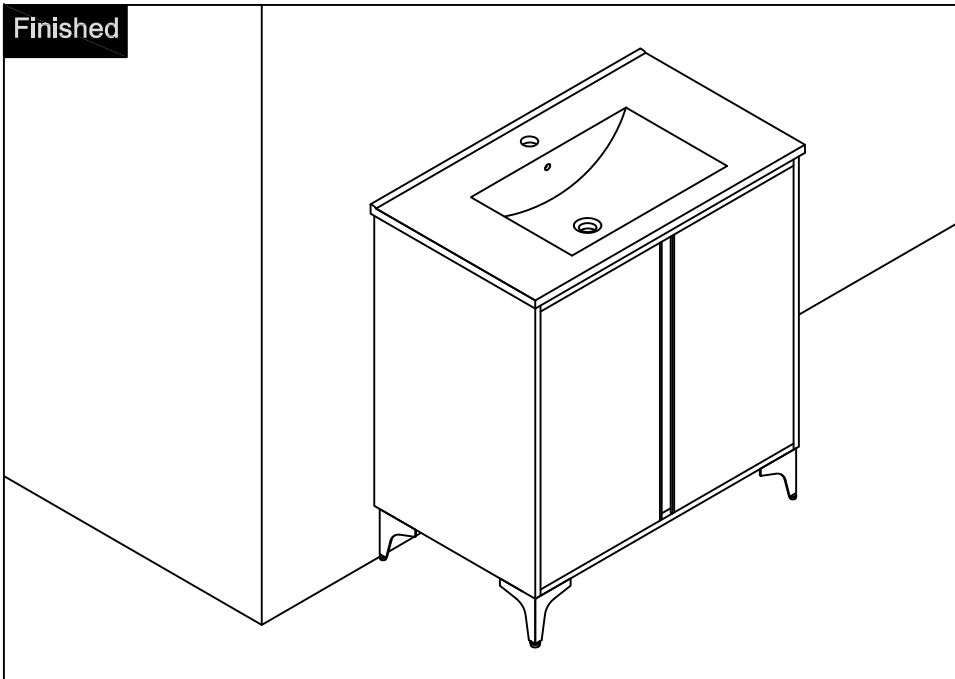
## CARE CLEANING AND MAINTENANCE

1. Dust regularly with a soft , dry cloth.
2. Avoid the use of all chemicals household cleaners, abrasives, or cleaners that contain lemon, vinegar, or other acids that may damage the finish.
3. Excessive exposure to sunlight and extreme changes in temperature and moisture can damage wood furniture.
4. The sink top is resilient, but care needs to be taken to preserve its appearance.
5. Do not place hot appliances, such as curling irons and hot hair dryers directly on the countertop. Wipe spills immediately.

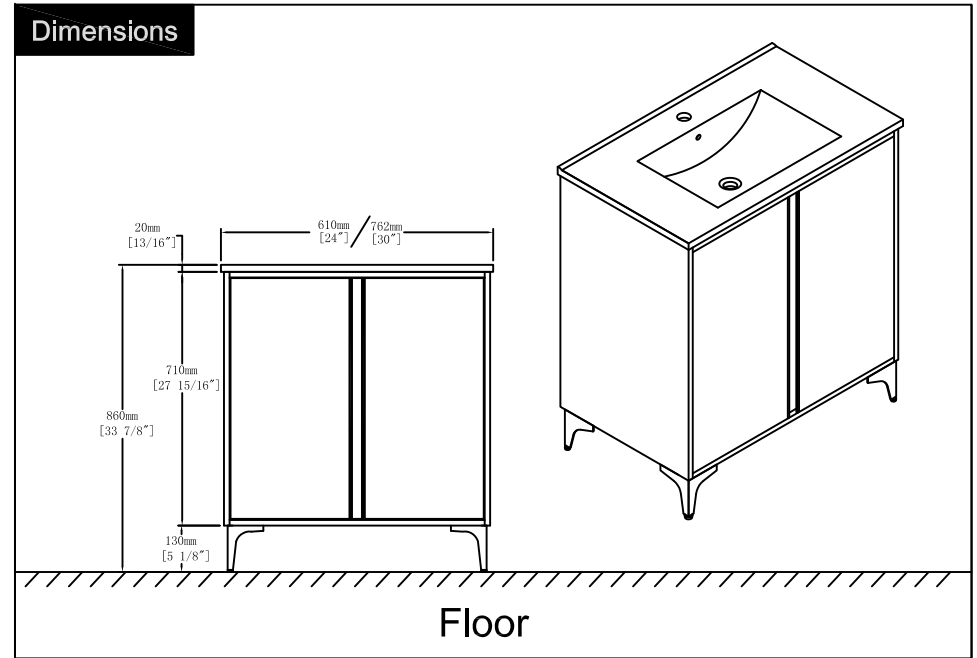
Step 15



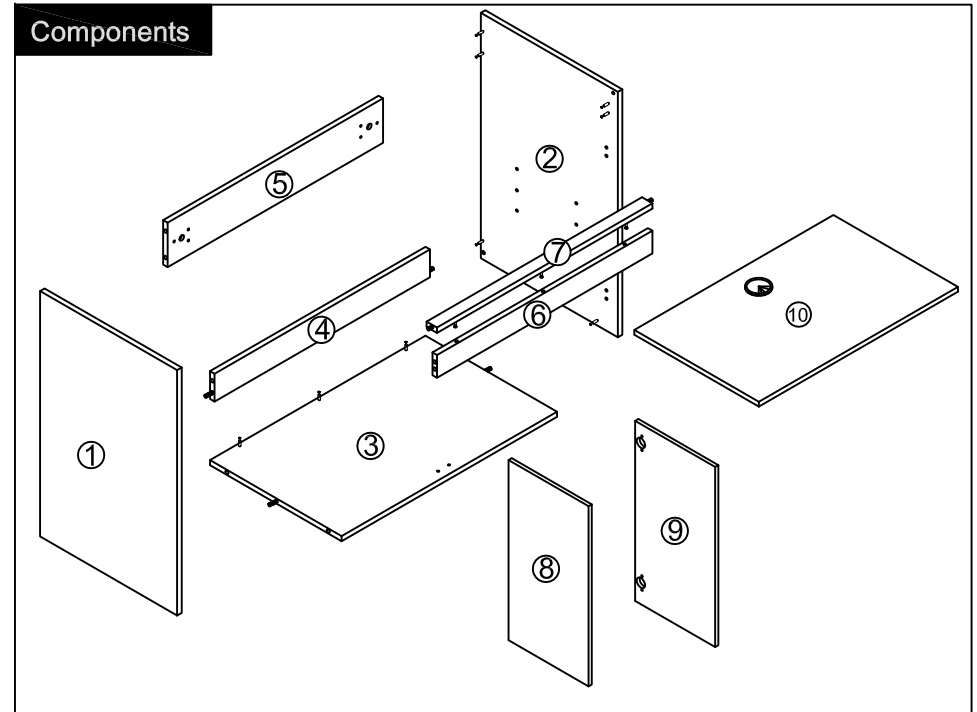
Finished



Dimensions



Components



### Step 1

Notes: Screw installation depth as shown

Attention: Cam lock arrow point to the steel rod.

- B x3
- C x3
- Q x1

### Step 2

Note: The D parts are used for these two holes

first step    second step    third step

- B x5
- C x5
- D x2
- Q x1

### Step 12

Wall

### Step 13

- F x2
- G x2

Tool

### Step 14

### Step 9

	x4
J (24 x 14mm)	
	x16
A	
	x2
P	
	x2
I	
	Tool

You can adjust the doors by tightening or loosening the screws on the hinge. →

### Step 10

Wall

Tool

### Step 11

Wall

Tool

Ø10

### Step 3

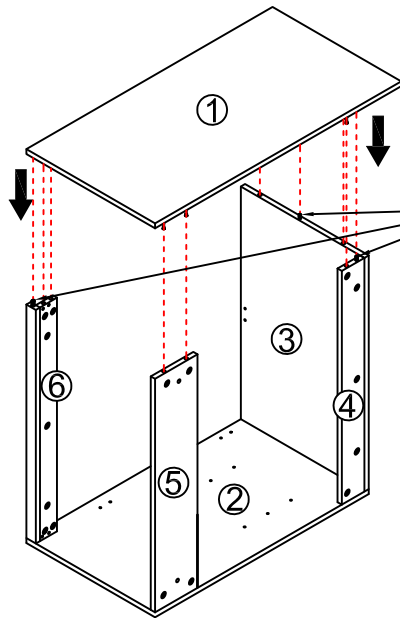
	x3
B	
	x3
C	
	x1
Q	

### Step 4

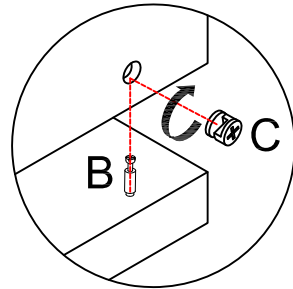
	x2
B	
	x2
C	
	x1
D	
	x1
Q	

Note: The D parts are used for this hole.

### Step 5

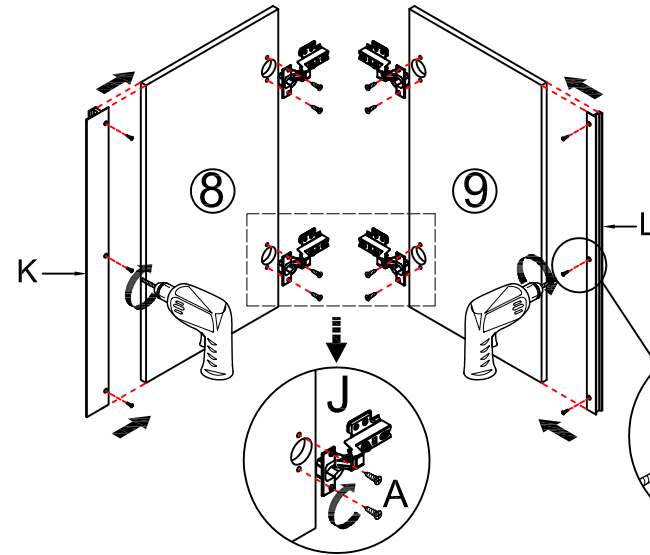


Note: The D parts are used for these three holes



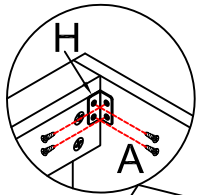
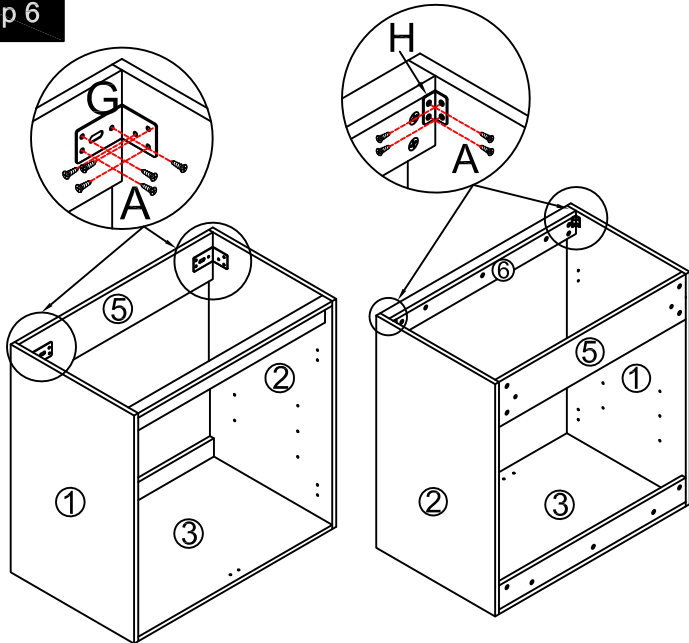
	x7
B	
	x7
C	
	x3
D	
	x1
Q	

### Step 7



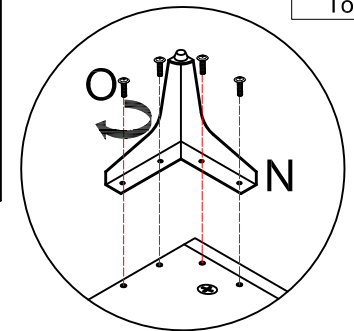
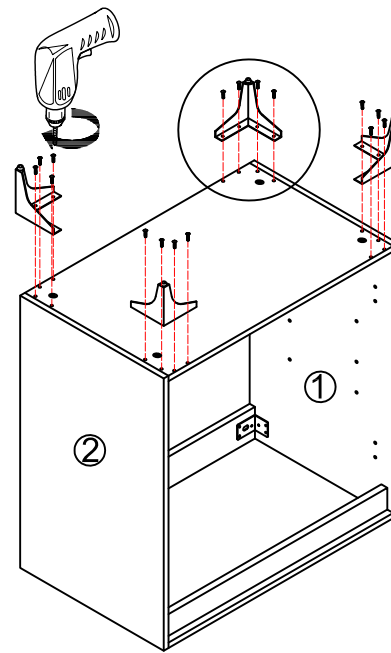
	x1
K	
	x1
L	
	x4
J	
	x8
A	
	x8
Tool	

### Step 6



	x2
G	
	x2
H	
	x20
A	
Tool	

### Step 8



	x4
N	
	x16
O	
Tool	