
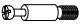



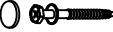







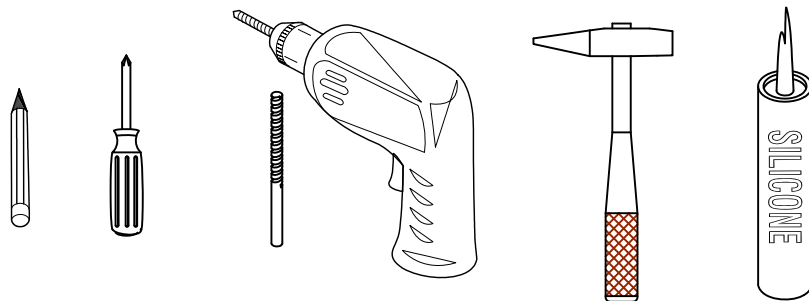
Item NO.:BV B07248

Hardware

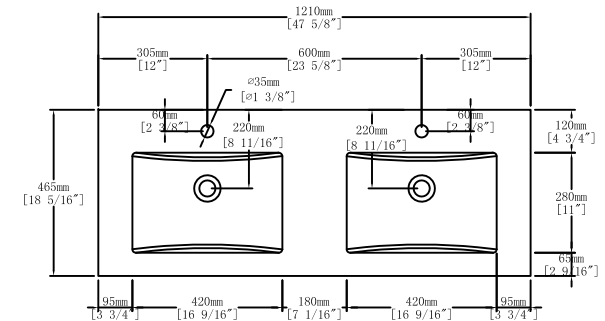
NO.	Draw	QTY
A	 Screws Ø4x14mm	44
B	 Two-in-one connector	43
C	 Two-in-one connector	43
D	 Wood plug	10
E	 Plastic anchor(Ø10mm)	4

NO.	Draw	QTY
F	 Screws for fix on the wall	4
G	 Bracket (53x70x44mm)	2
H	 Bracket (19x19x35mm)	2
I	 Hinges (Internal hiding)	4
J	 Anti-collision gasket	4
K	 Screwdriver	1

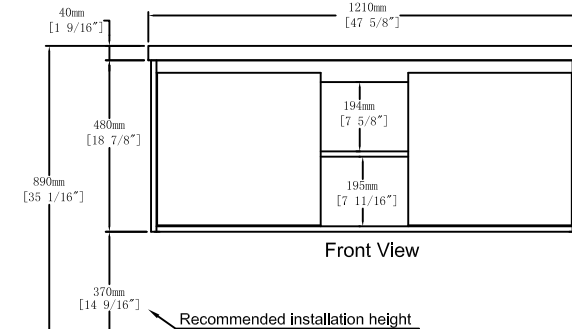
Recommended tools



Dimensions



Top View

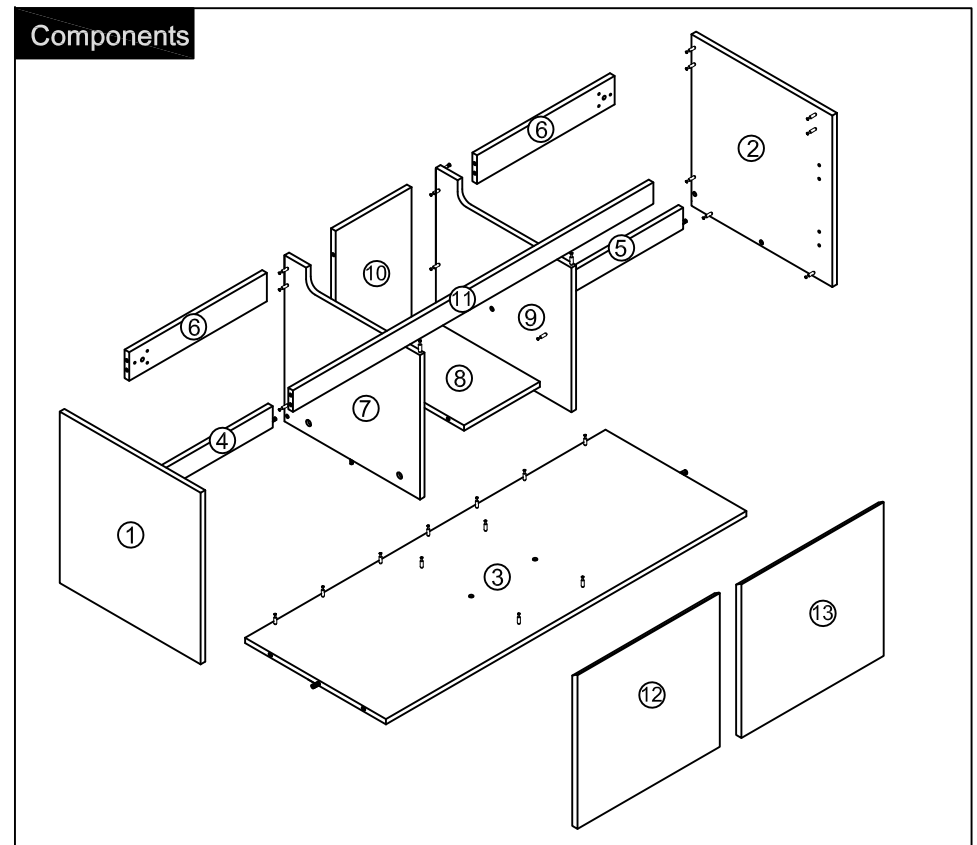
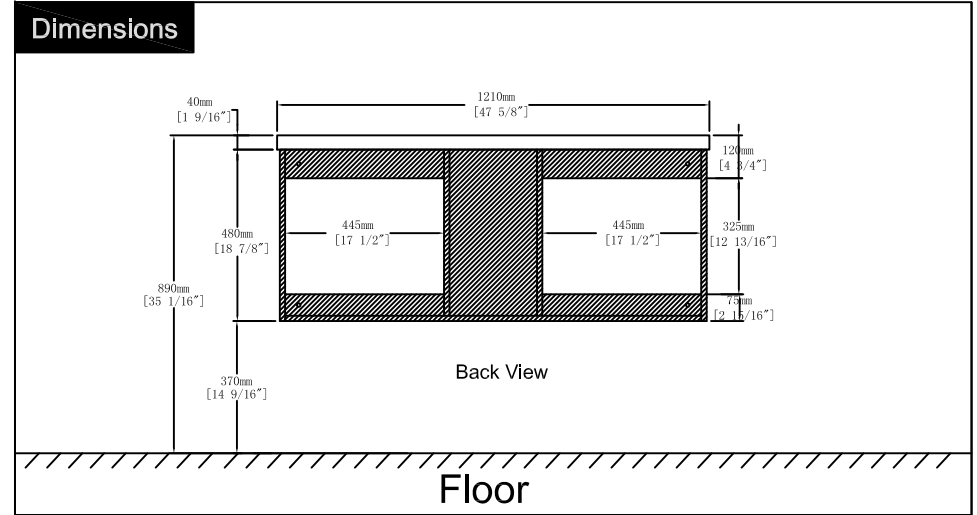
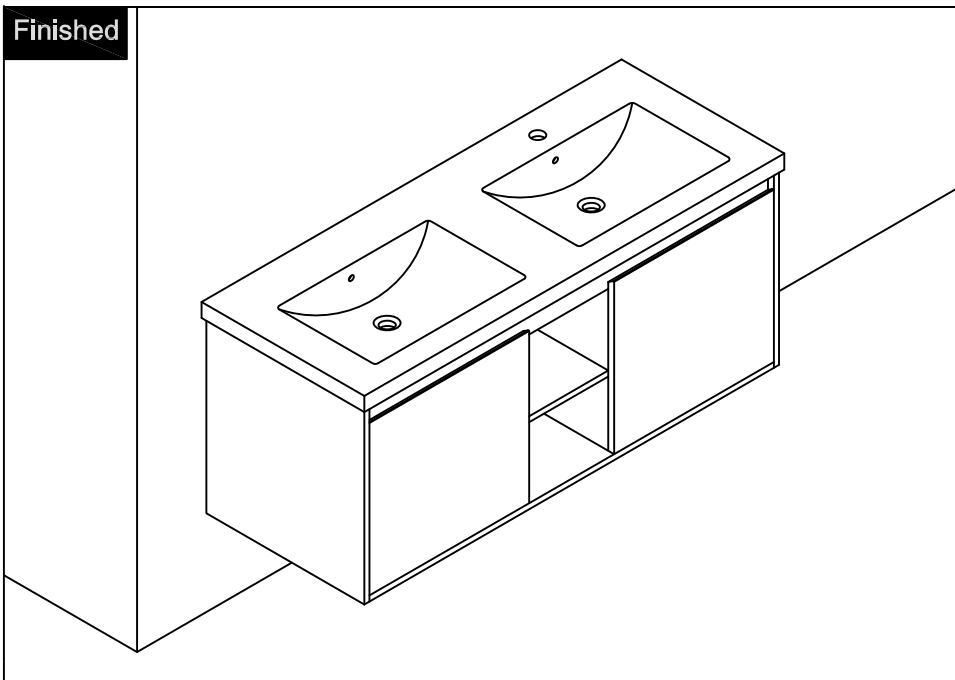
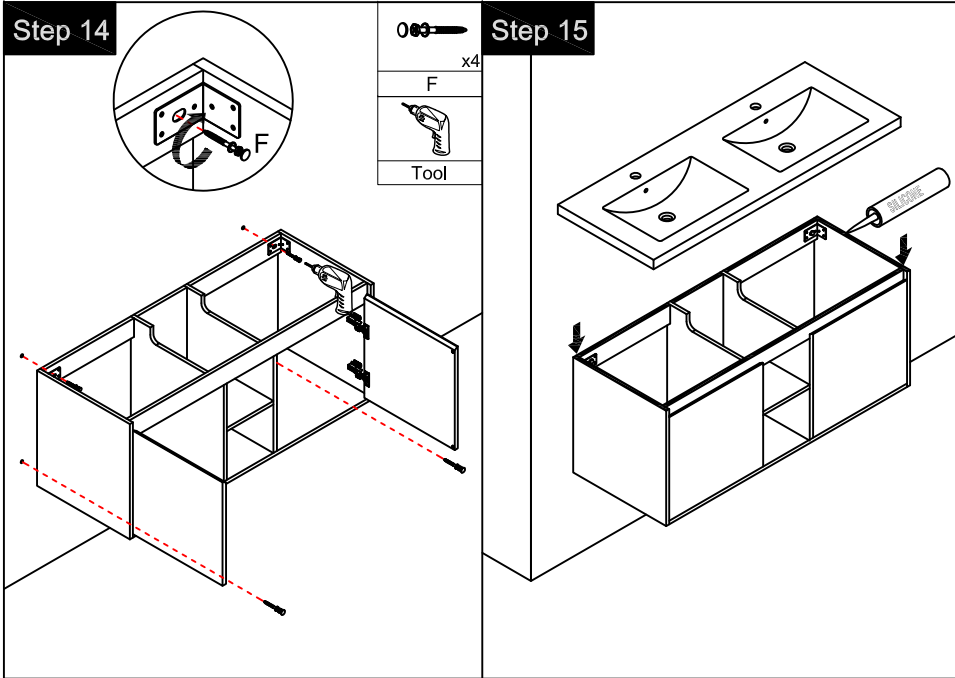


Front View

Floor

CARE CLEANING AND MAINTENANCE

1. Dust regularly with a soft , dry cloth.
2. Avoid the use of all chemicals household cleaners, abrasives, or cleaners that contain lemon, vinegar, or other acids that may damage the finish.
3. Excessive exposure to sunlight and extreme changes in temperature and moisture can damage wood furniture.
4. The sink top is resilient, but care needs to be taken to preserve its appearance.
5. Do not place hot appliances, such as curling irons and hot hair dryers directly on the countertop. Wipe spills immediately.



Step 1

	x3
B	
	x3
C	
	x1
K	

Attention: Cam lock arrow point to the steel rod.

Notes: Screw installation depth as shown

Step 2

	x2
B	
	x2
C	
	x1
D	
	x1
K	

Note: The D parts are used for this hole

first step second step third step

Step 11

Tool	

Step 12

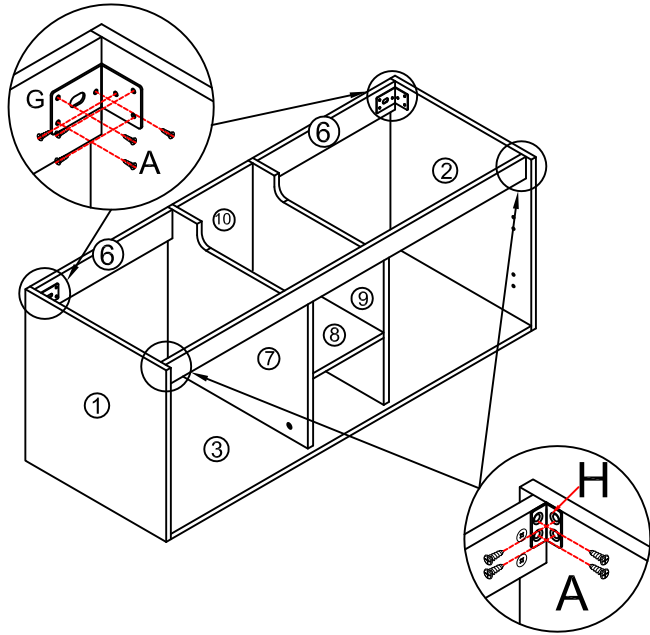
Tool	

Ø10

Step 13

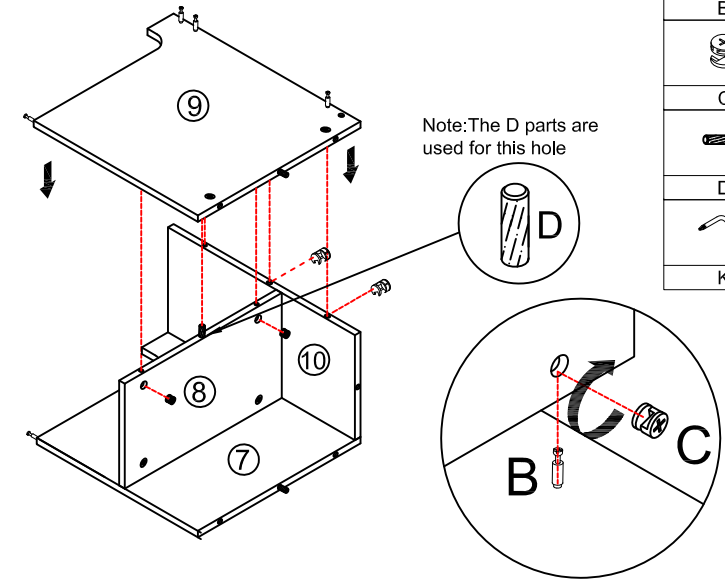
	x4
E	
Tool	

Step 9



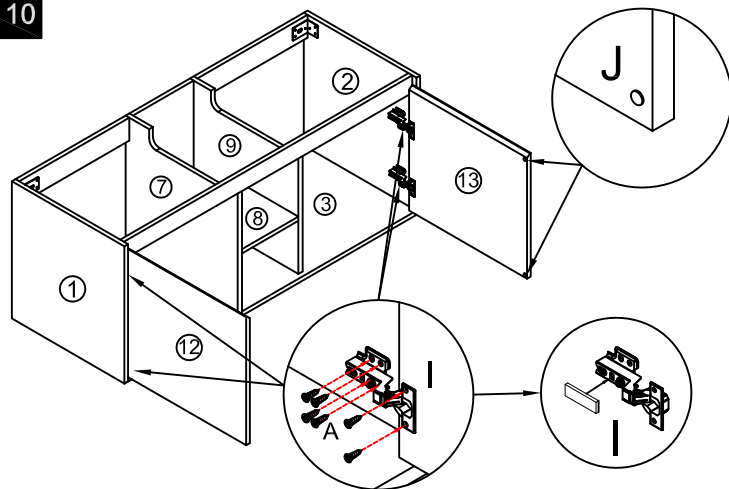
	x2
G	
	x2
H	
($\varnothing 4 \times 14\text{mm}$)	
	x20
A	
	Tool

Step 3



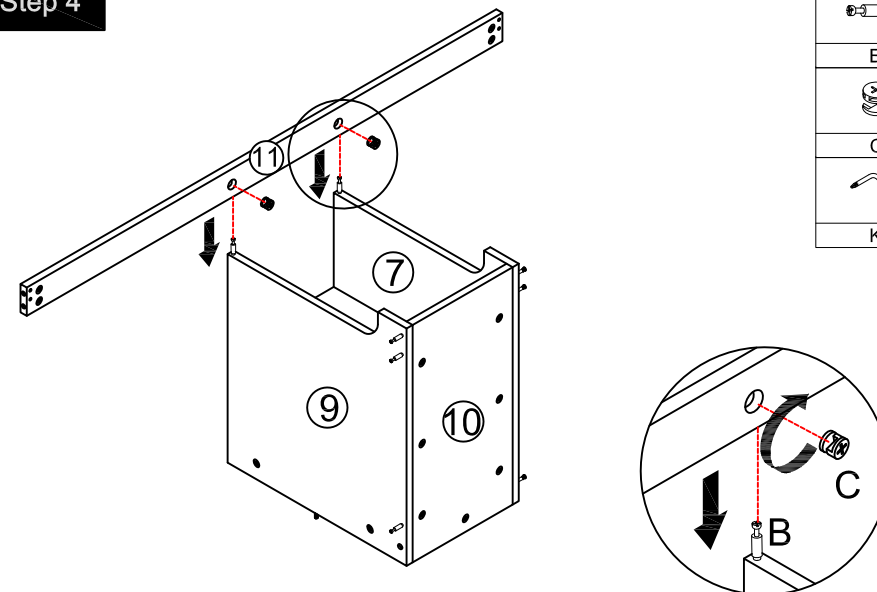
	x5
B	
	x5
C	
	x1
D	
	x1
K	

Step 10



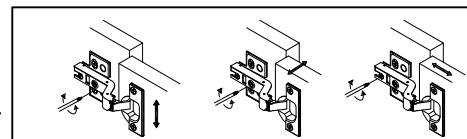
	x4
I	
($\varnothing 4 \times 14\text{mm}$)	
	x24
A	
	x4
J	
	Tool

Step 4

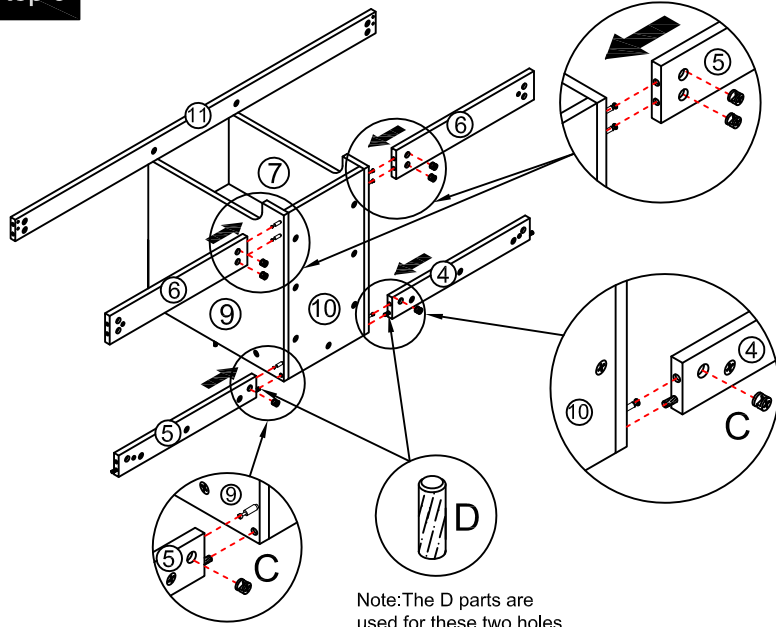


	x2
B	
	x2
C	
	x1
K	

You can adjust the doors by tightening or loosening the screws on the hinge. →



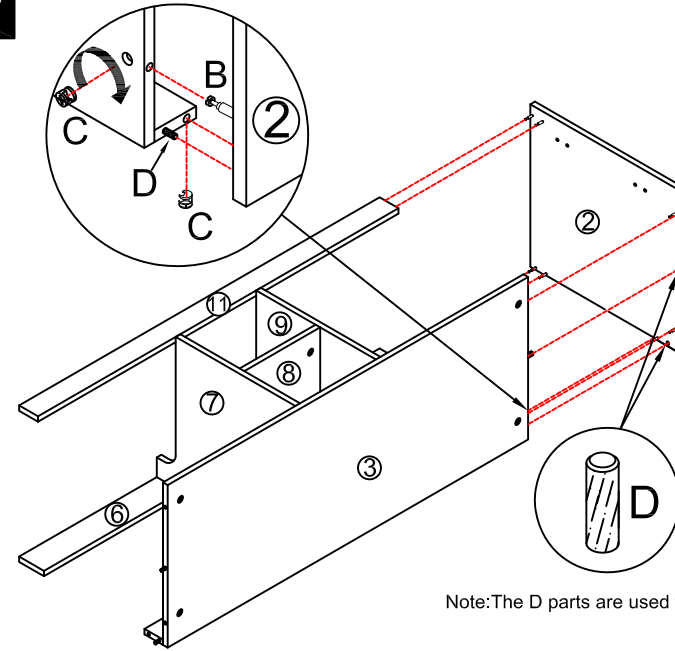
Step 5



	x6
B	
	x6
C	
	x2
D	
	x1
K	

Note: The D parts are used for these two holes

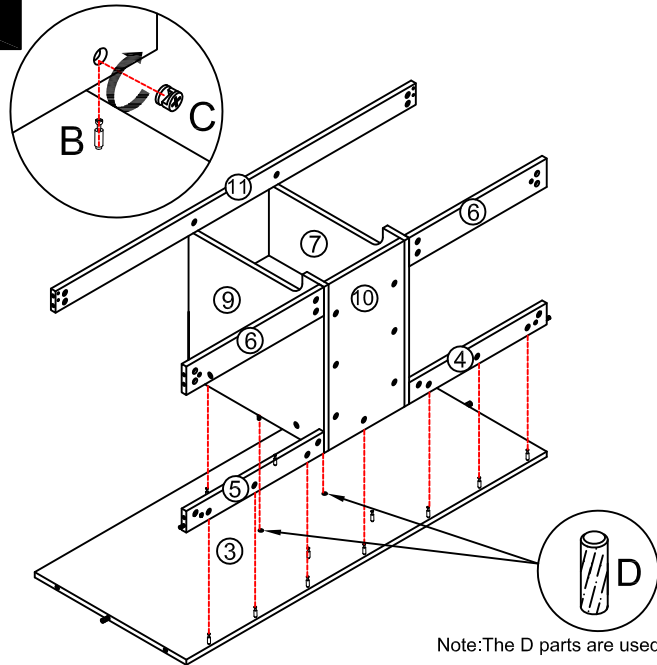
Step 7



	x7
B	
	x7
C	
	x2
D	
	x1
K	

Note: The D parts are used for these two holes

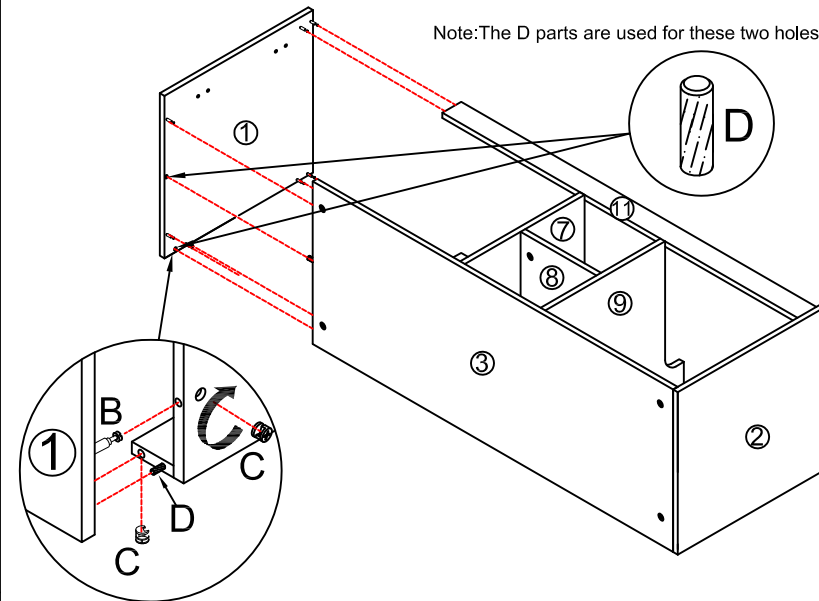
Step 6



	x11
B	
	x11
C	
	x2
D	
	x1
K	

Note: The D parts are used for these two holes

Step 8



Note: The D parts are used for these two holes

	x7
B	
	x7
C	
	x2
D	
	x1
K	