


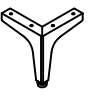






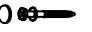
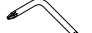


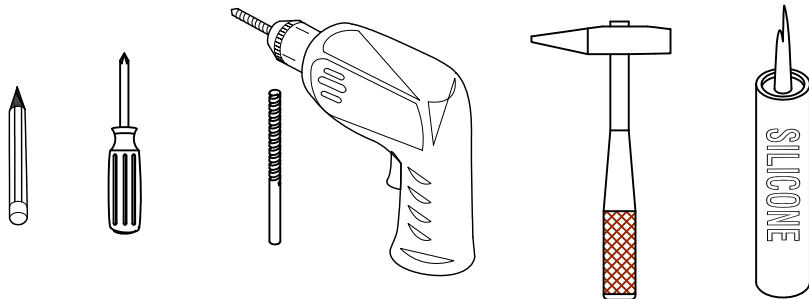


# Item NO.:BV B07148

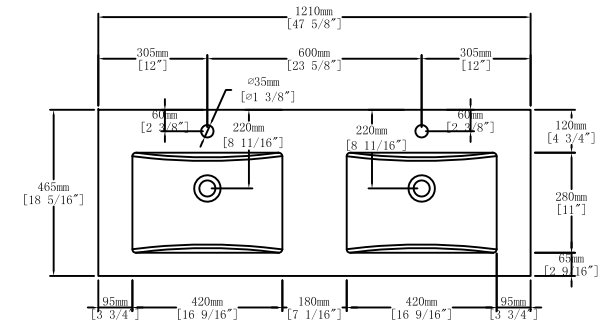
## Hardware

NO.	Draw	QTY	NO.	Draw	QTY
A	 Screws Ø4x14mm	44	I	 Hinges (Internal hiding)	4
B	 Two-in-one connector	47	J	 Metal Feet	4
C	 Two-in-one connector	47	K	 Screws M4x14mm	16
D	 Wood plug	12	L	 Anti-collision gasket	4
E	 Plastic anchor(Ø10mm)	2	M	 Movable laminate support	8
F	 Screws for fix on the wall	2	N	 Screwdriver	1
G	 Bracket (53x70x44mm)	2			
H	 Bracket (19x19x35mm)	2			

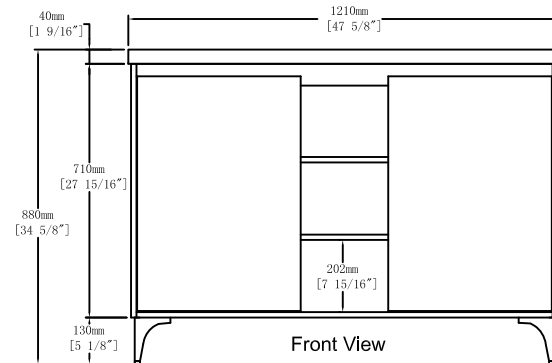
## Recommended tools



## Dimensions



Top View

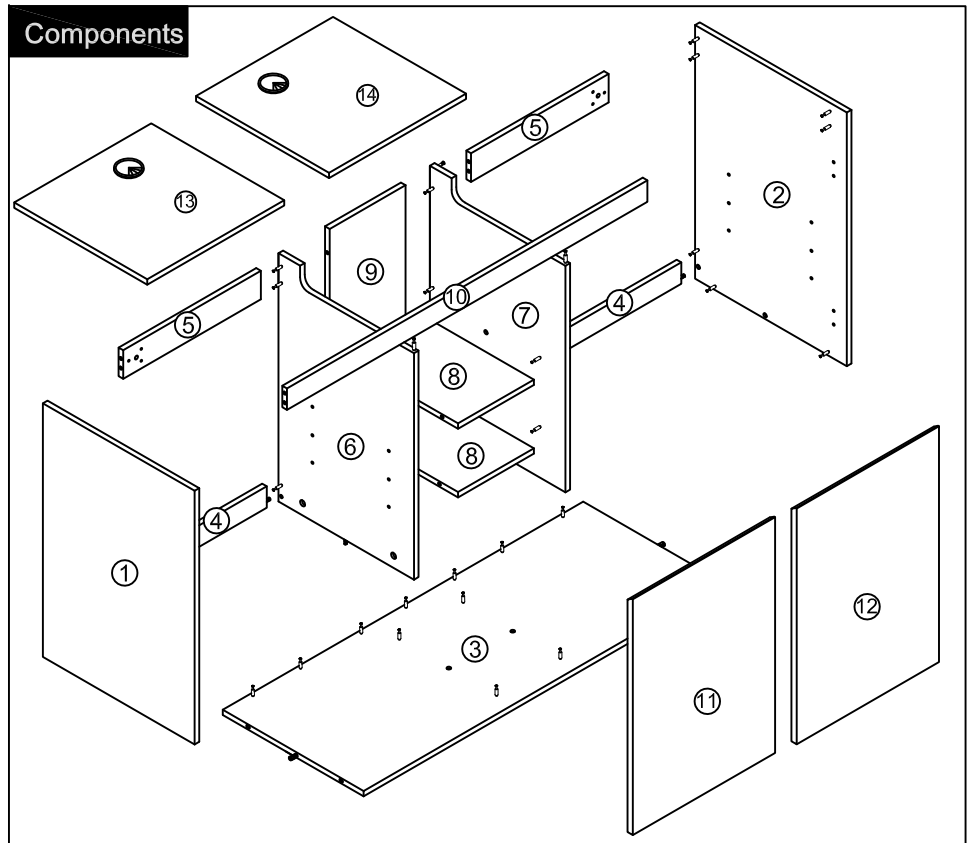
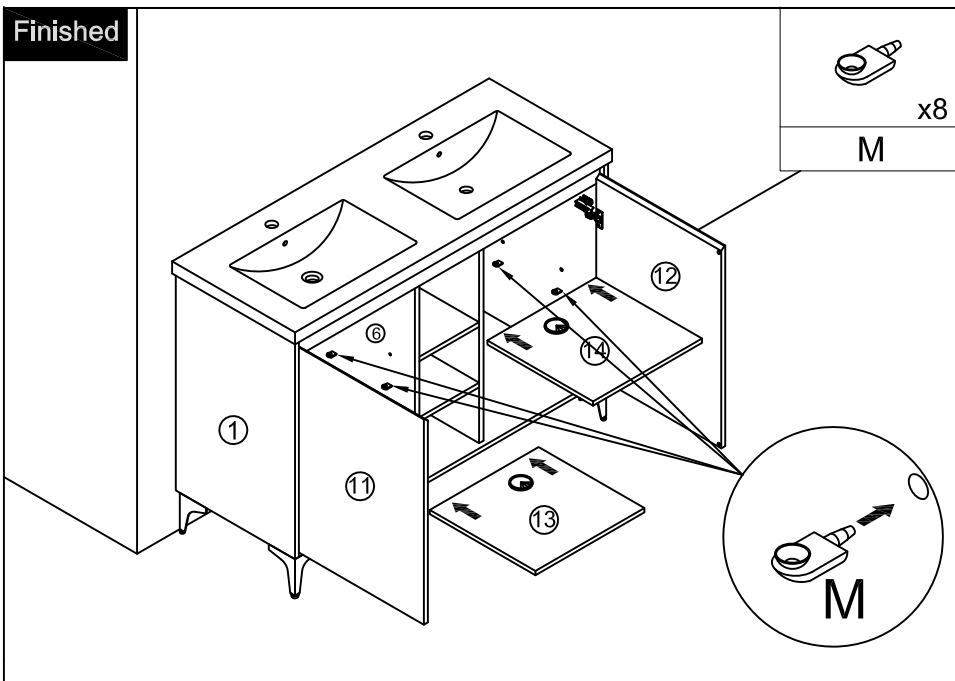
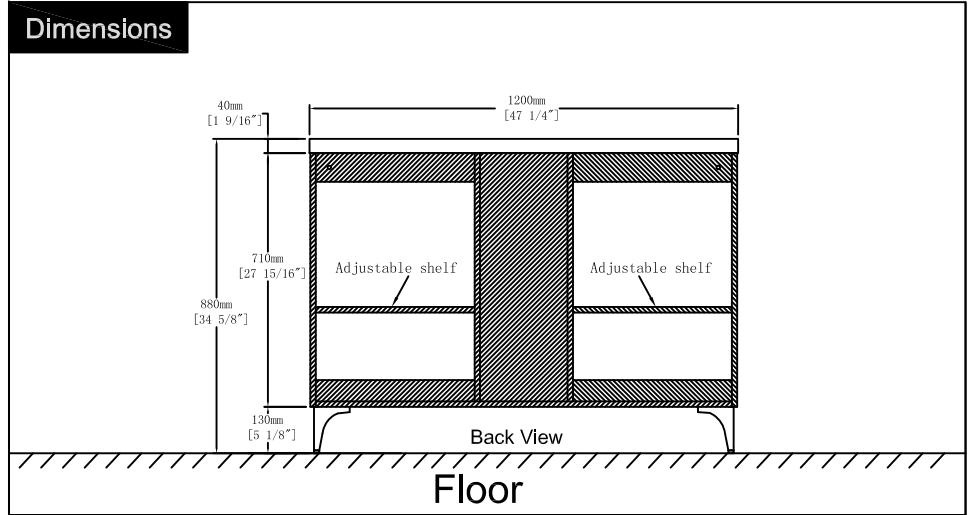
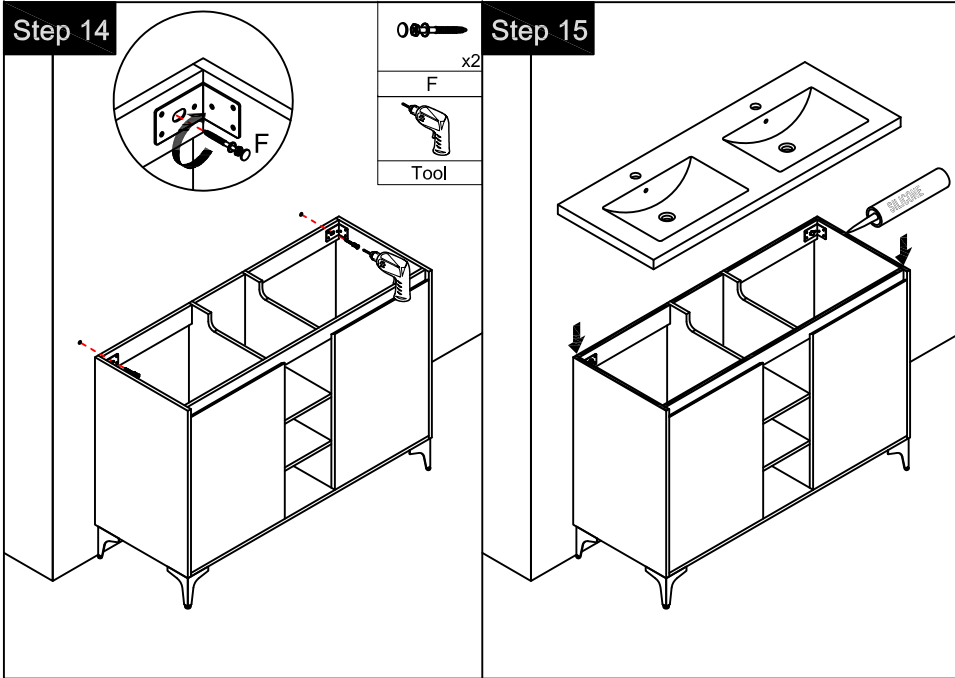


Front View

Floor

## CARE CLEANING AND MAINTENANCE

1. Dust regularly with a soft , dry cloth.
2. Avoid the use of all chemicals household cleaners, abrasives, or cleaners that contain lemon, vinegar, or other acids that may damage the finish.
3. Excessive exposure to sunlight and extreme changes in temperature and moisture can damage wood furniture.
4. The sink top is resilient, but care needs to be taken to preserve its appearance.
5. Do not place hot appliances, such as curling irons and hot hair dryers directly on the countertop. Wipe spills immediately.



### Step 1

	x3
B	
	x3
C	
	x1
N	

Attention: Cam lock arrow point to the steel rod.

Notes: Screw installation depth as shown

### Step 2

Note: The D parts are used for these two holes

	x4
B	
	x4
C	
	x2
D	
	x1
N	

first step      second step      third step

### Step 11

	x4
I	
( $\varnothing 4 \times 14\text{mm}$ )	
	x24
A	
	x4
L	
	Tool

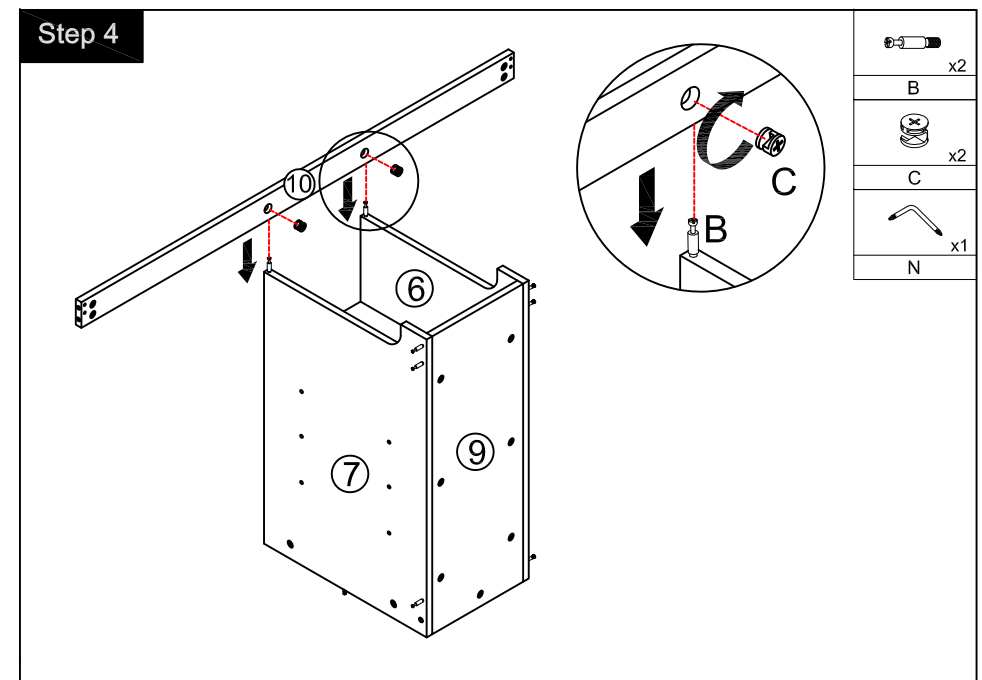
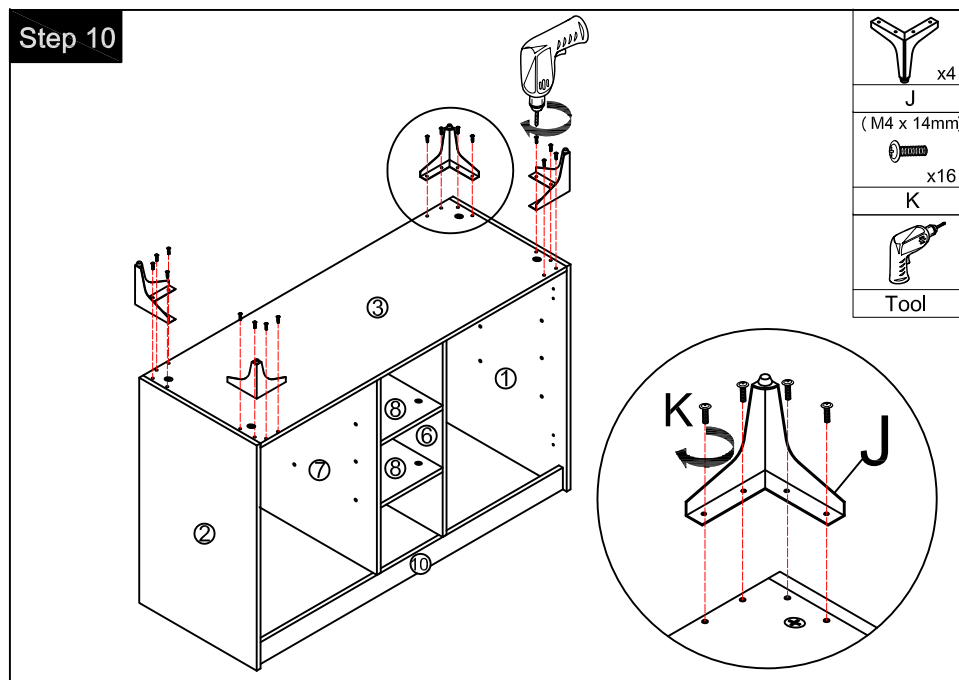
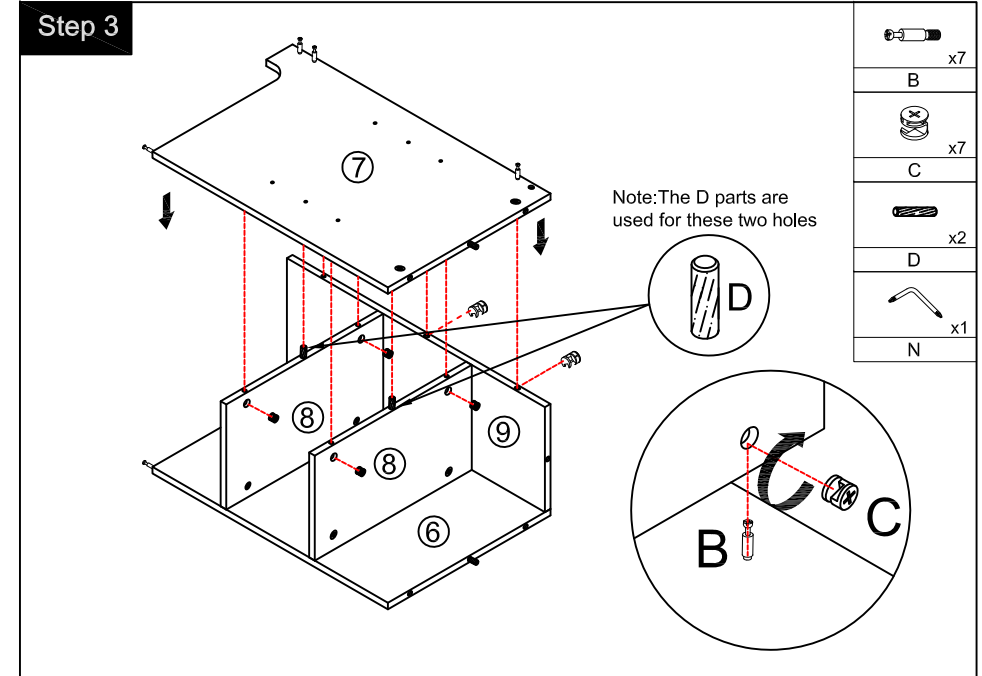
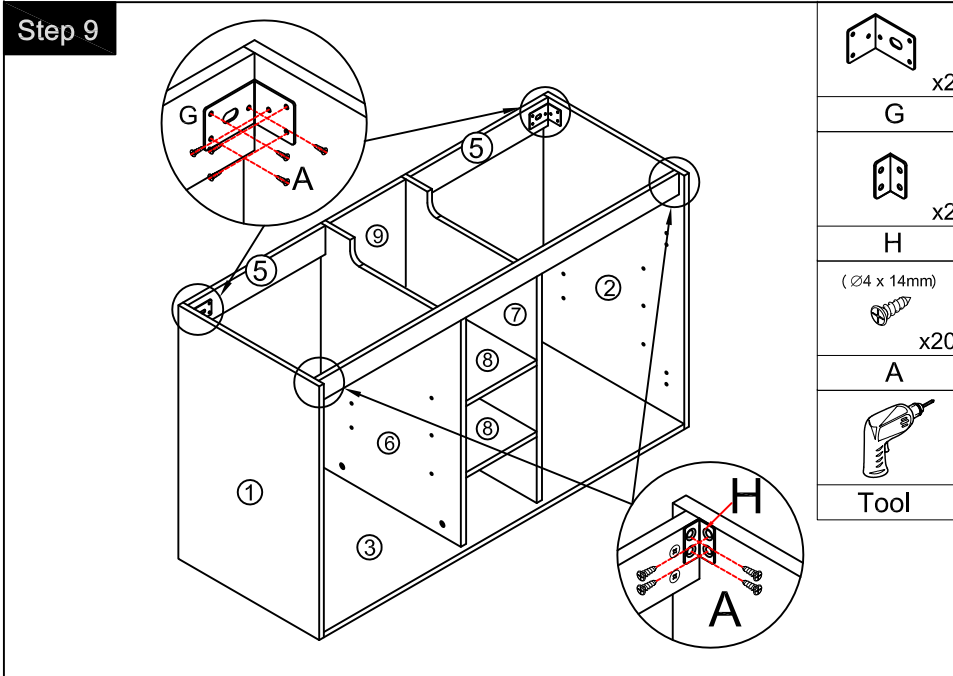
You can adjust the doors by tightening or loosening the screws on the hinge.

### Step 12

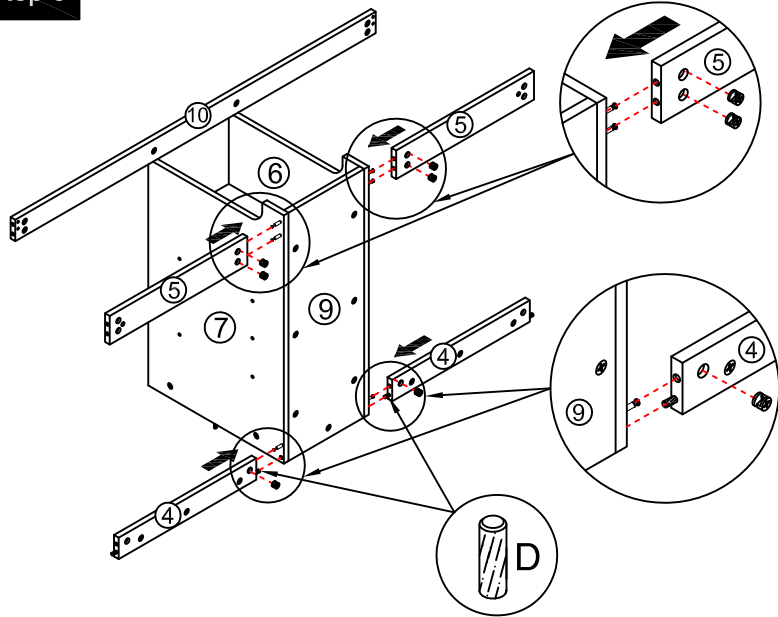
$\varnothing 10$

### Step 13

Tool



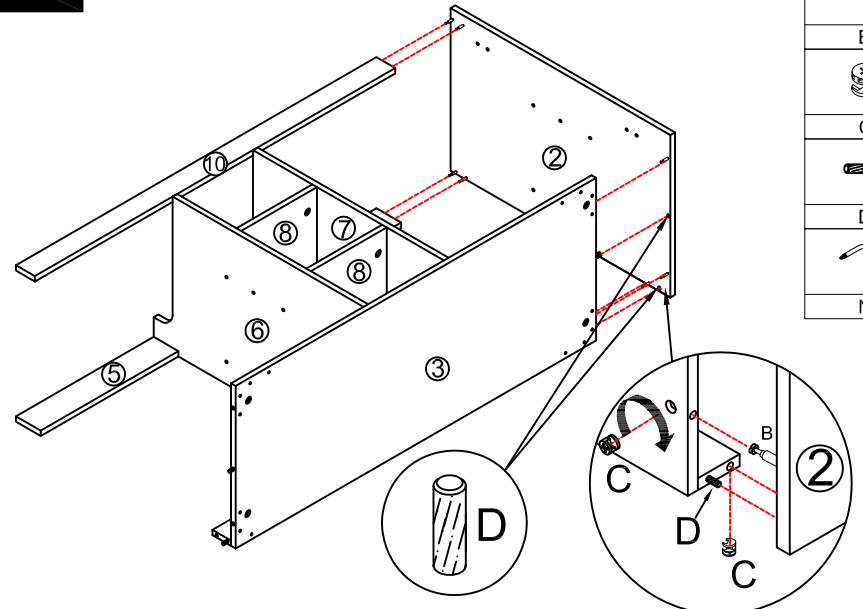
### Step 5



	x6
B	
	x6
C	
	x2
D	
	x1
N	

Note: The D parts are used for these two holes

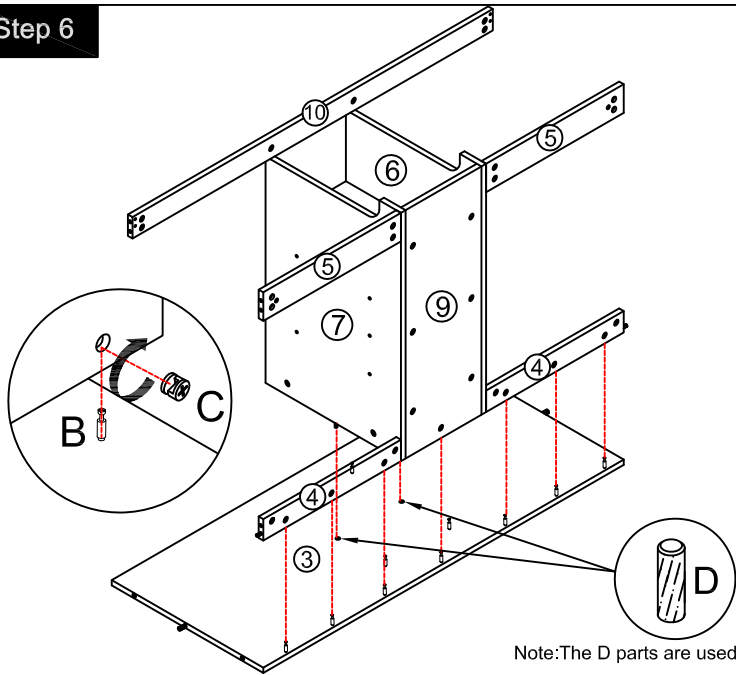
### Step 7



	x7
B	
	x7
C	
	x2
D	
	x1
N	

Note: The D parts are used for these two holes

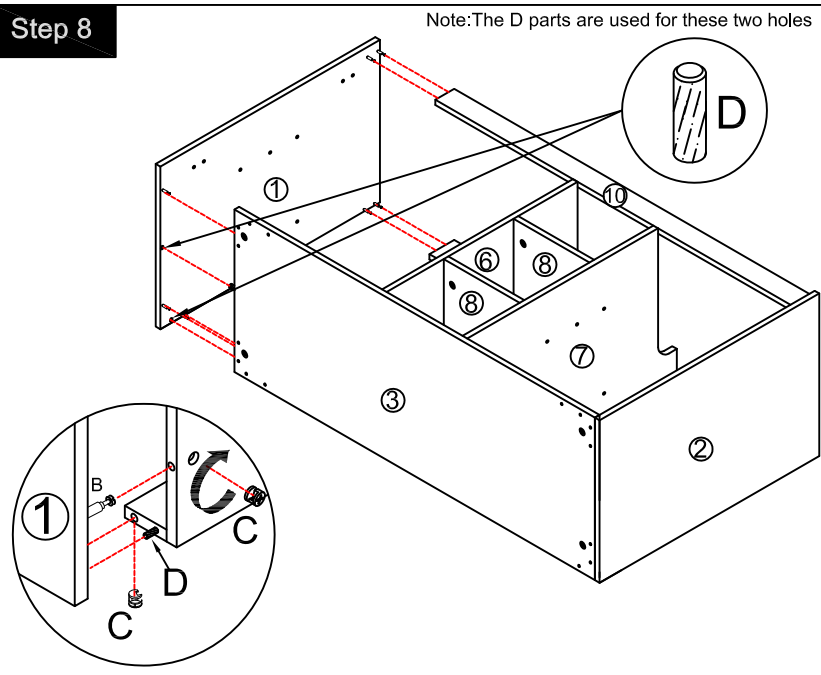
### Step 6



	x11
B	
	x11
C	
	x2
D	
	x1
N	

Note: The D parts are used for these two holes

### Step 8



Note: The D parts are used for these two holes

	x7
B	
	x7
C	
	x2
D	
	x1
N	