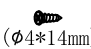

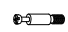
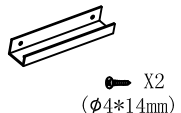






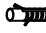

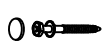

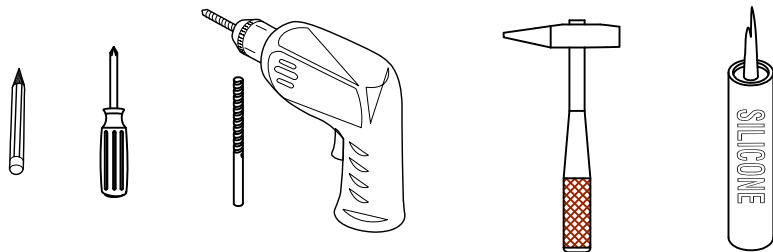


Item NO.:BV B02424/30/36

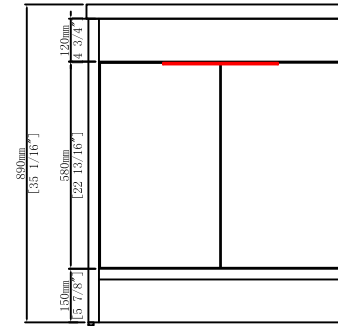
Hardware

NO.	Draw	QTY	NO.	Draw	QTY
A	 (Ø4*14mm)	48	I		3
B		28	K	 X2 (Ø4*14mm)	2
C		28	L		4
D		4	N		4
E		2	O		4
F		2	P		2
G		2			
H		2			

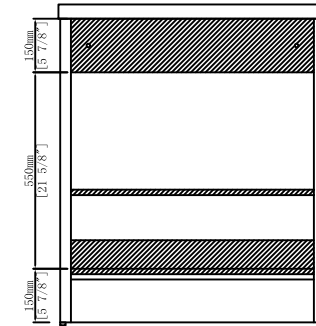
Recommended tools



Dimensions



Front View

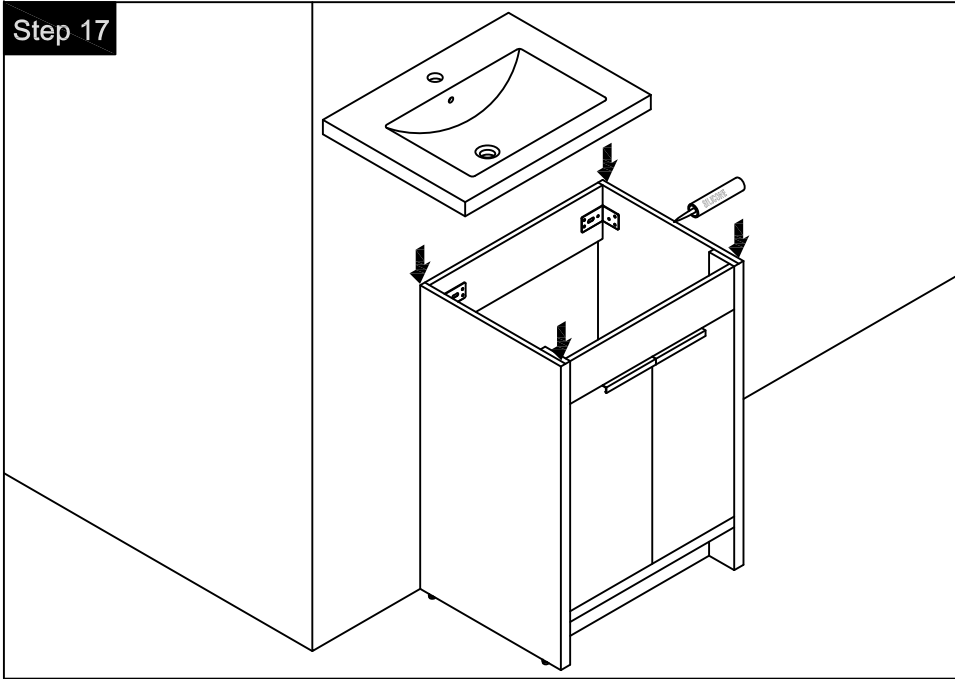


Back View

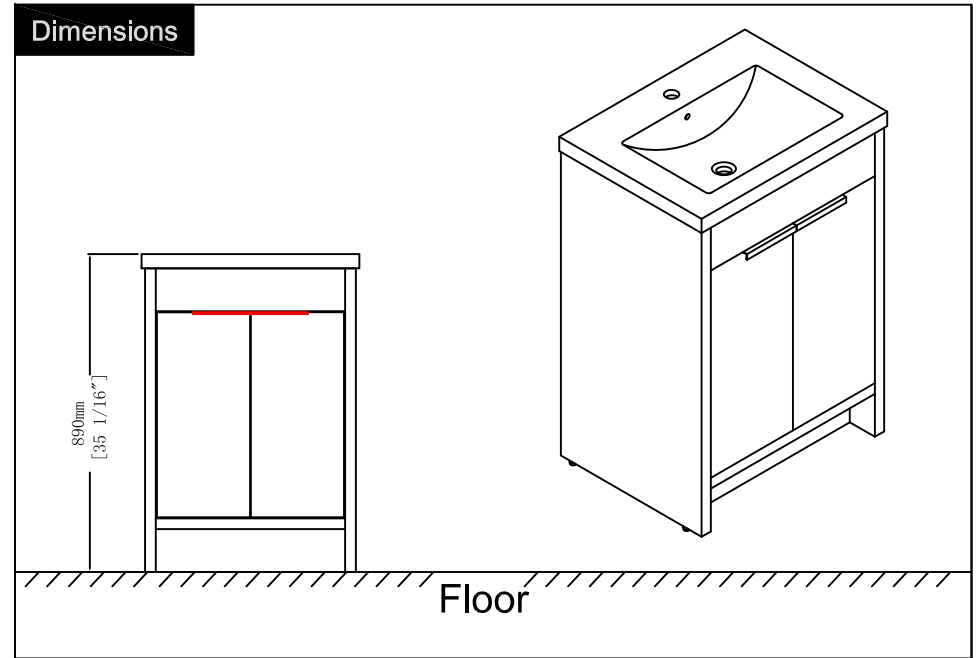
CARE CLEANING AND MAINTENANCE

1. Dust regularly with a soft , dry cloth.
2. Avoid the use of all chemicals household cleaners, abrasives, or cleaners that contain lemon, vinegar, or other acids that may damage the finish.
3. Excessive exposure to sunlight and extreme changes in temperature and moisture can damage wood furniture.
4. The sink top is resilient, but care needs to be taken to preserve its appearance.
5. Do not place hot appliances, such as curling irons and hot hair dryers directly on the countertop. Wipe spills immediately.

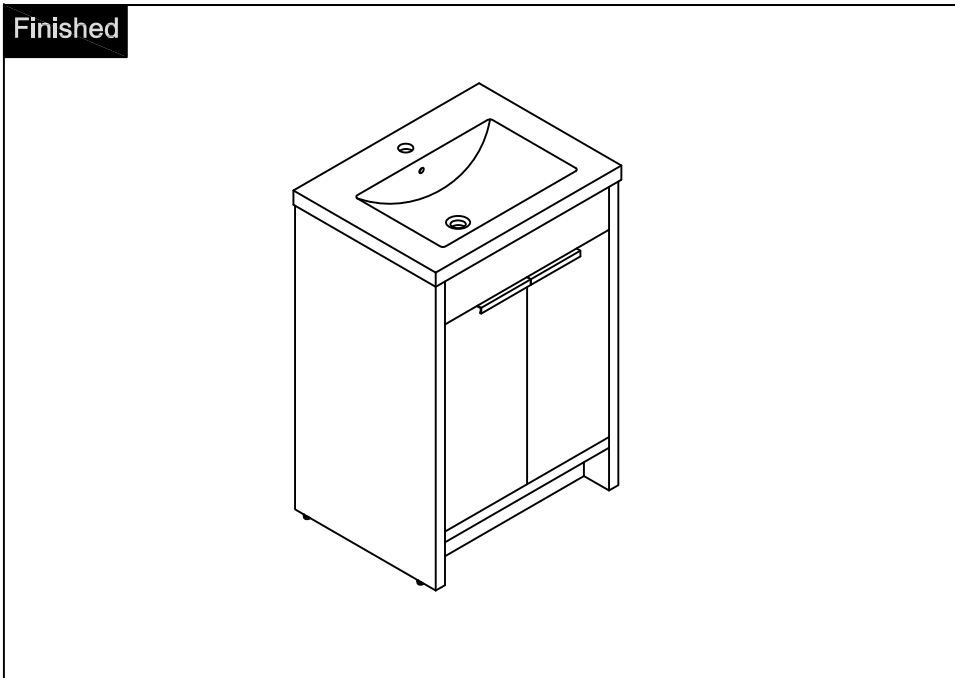
Step 17



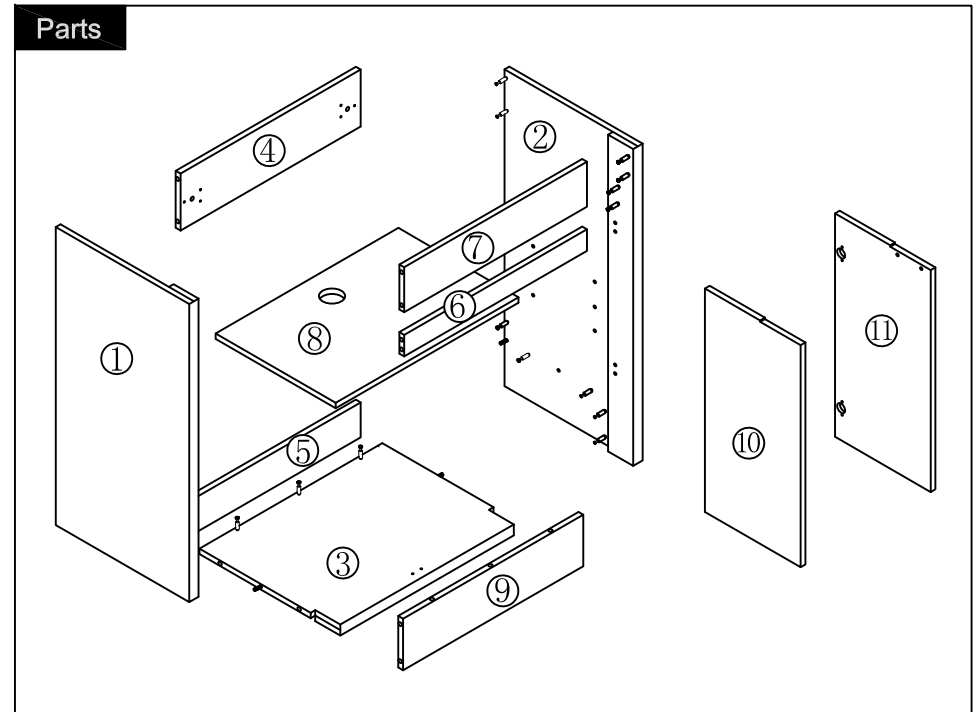
Dimensions

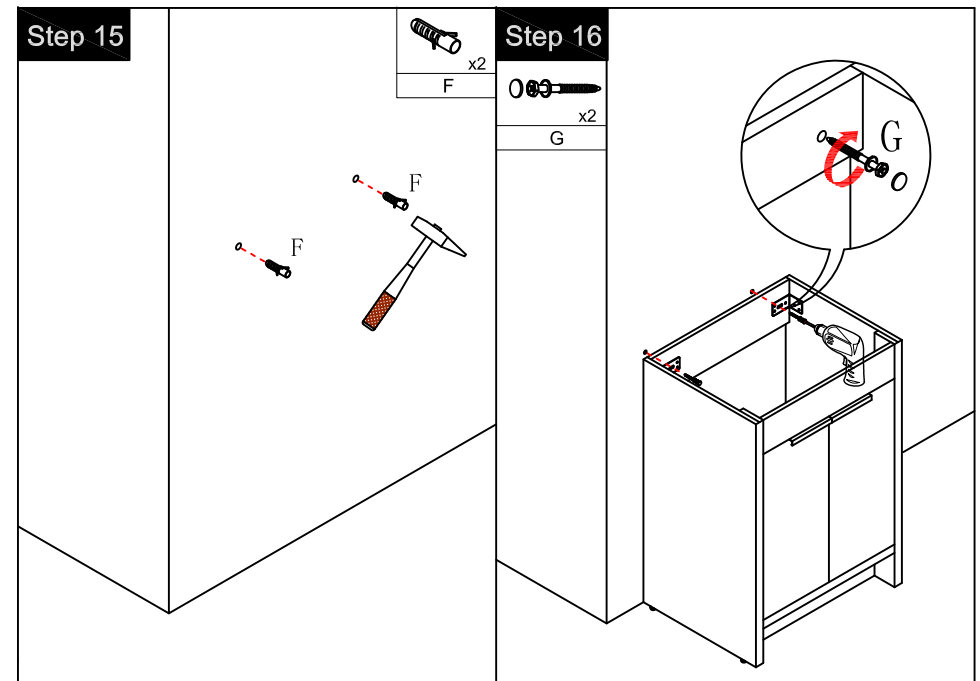
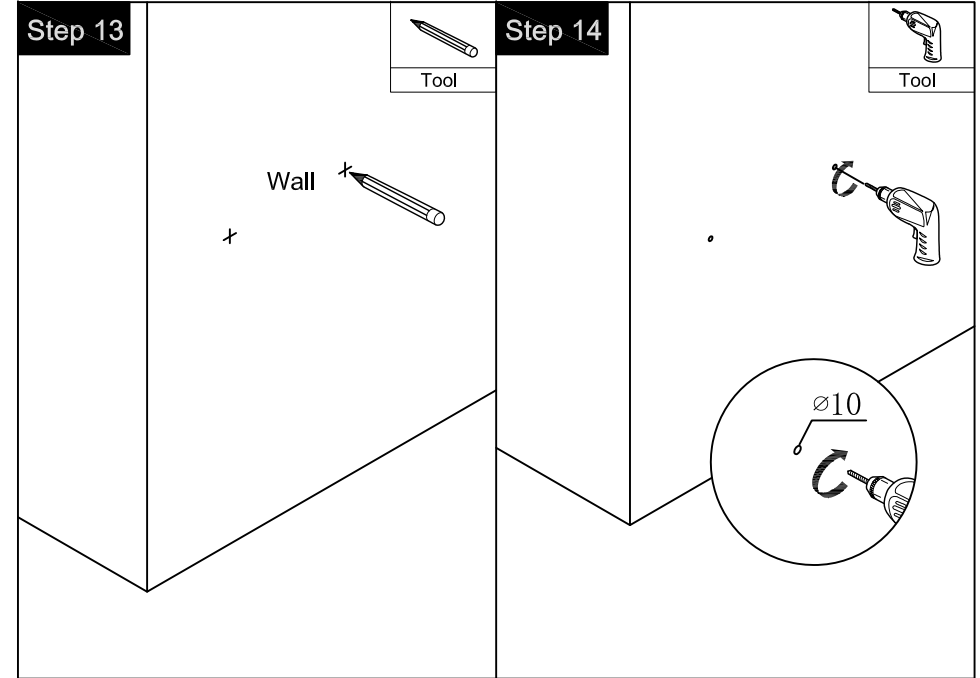
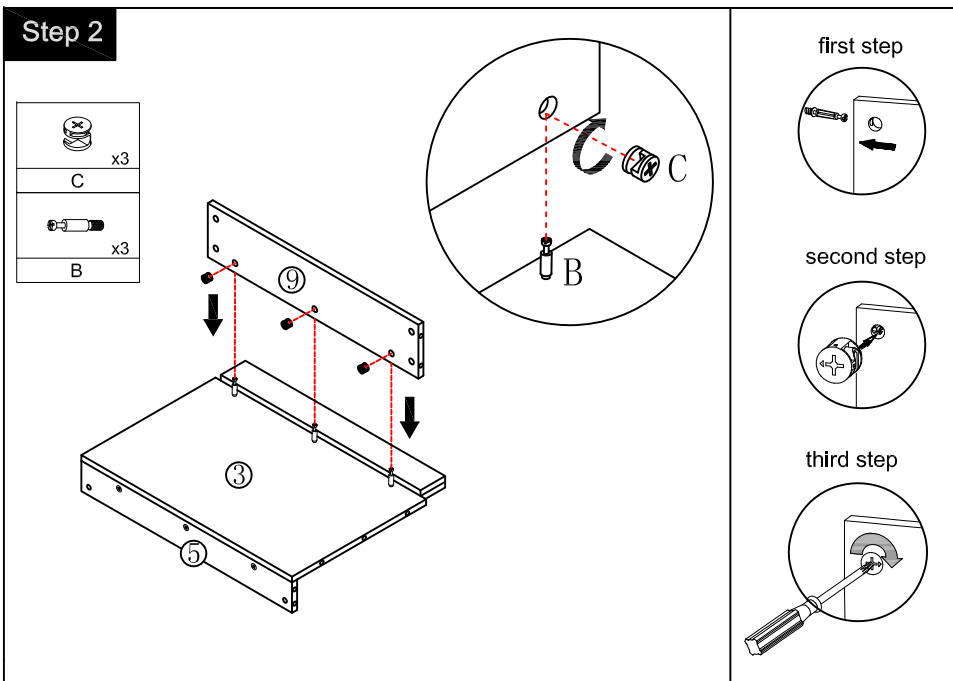
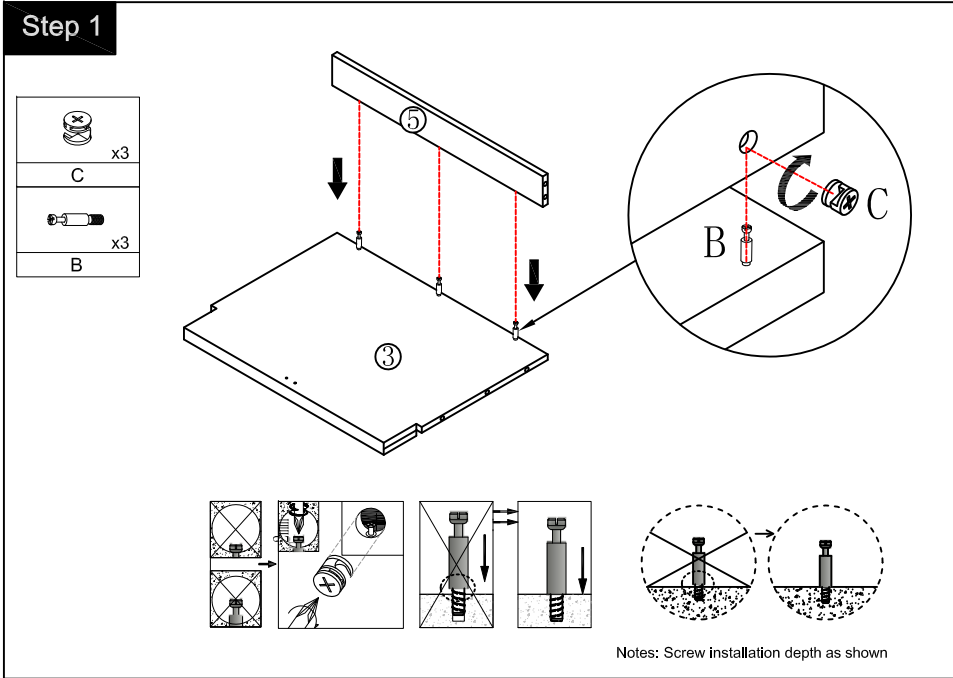


Finished





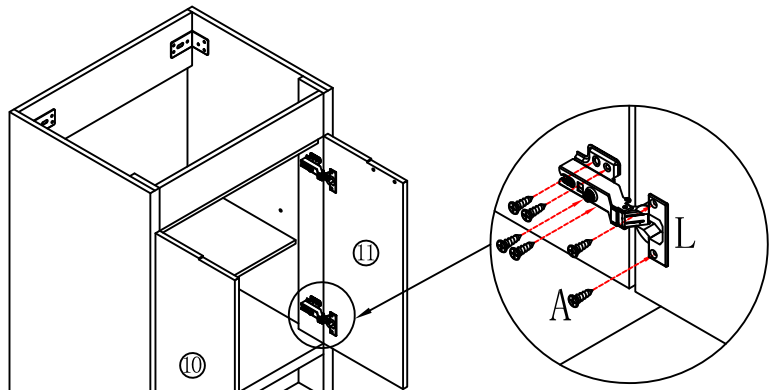
Parts



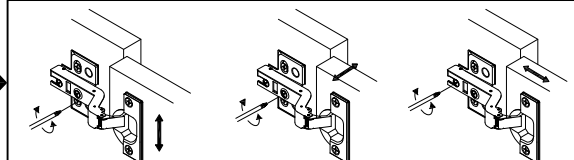


Step 11

	x4
L (Ø4 x 14mm)	
	x24
A	

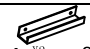
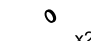


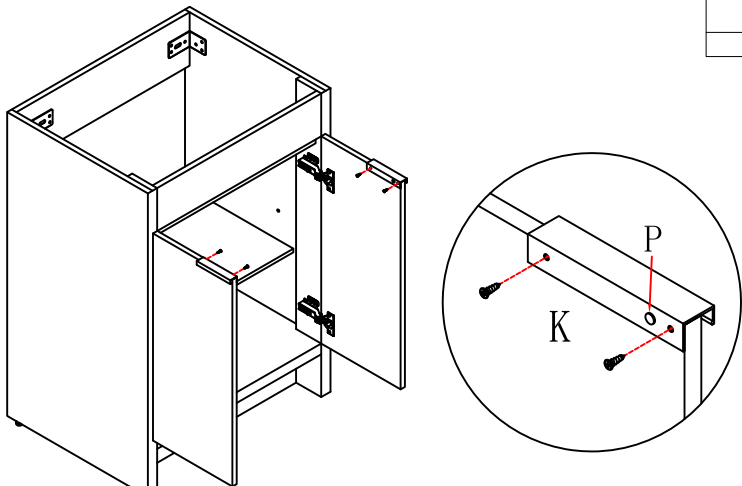
You can adjust the doors by tightening or loosening the screws on the hinge.




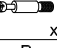
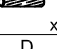
Step 12

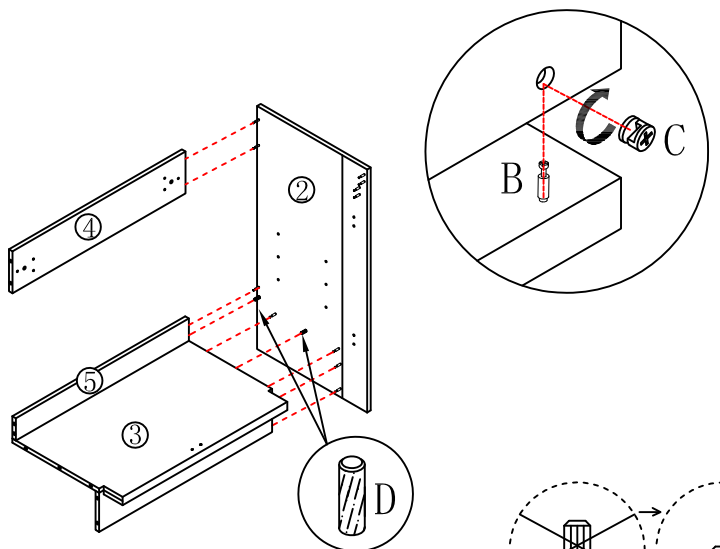
Congratulations!
Completing the step,
the cabinet base has been assembled

	x2
K (Ø4 x 14mm)	
	x2
P	

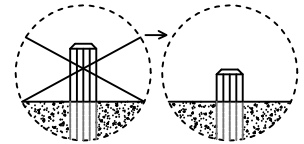


Step 3


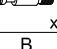
	x7
C	
	x7
B	
	x2
D	

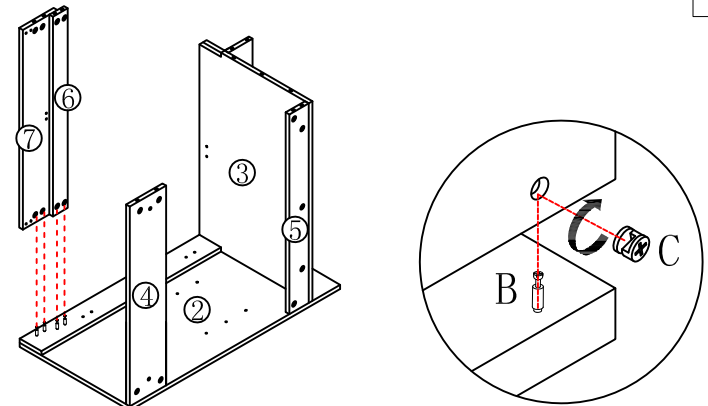


Note: The D parts are used for these two holes

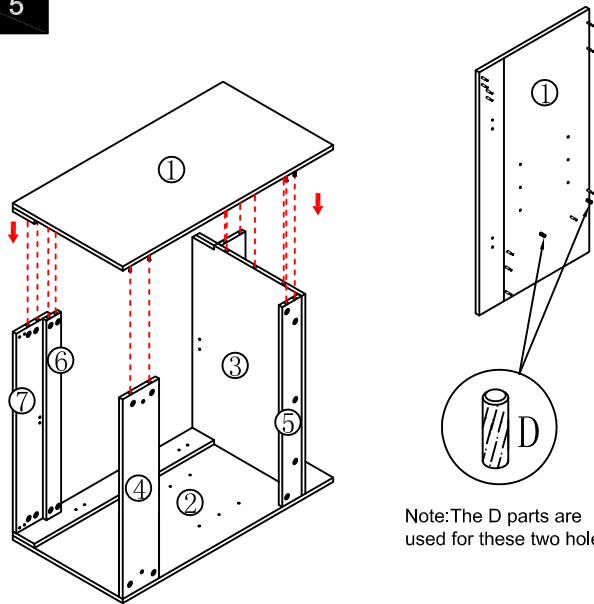


Step 4

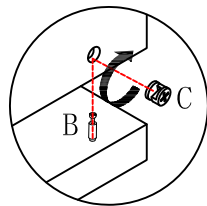
	x4
C	
	x4
B	


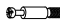



Step 5

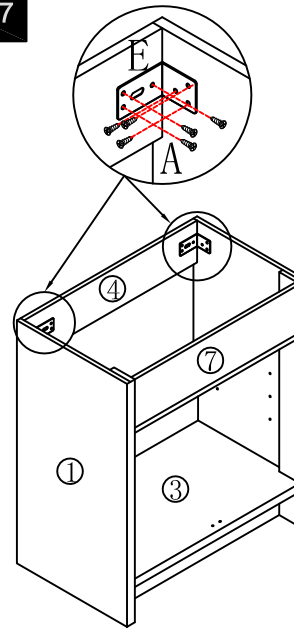



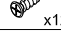
Note: The D parts are used for these two holes



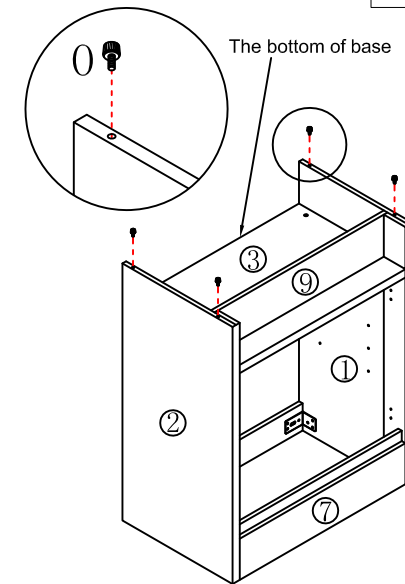
	x11
C	
	x11
B	
	x2
D	

Step 7



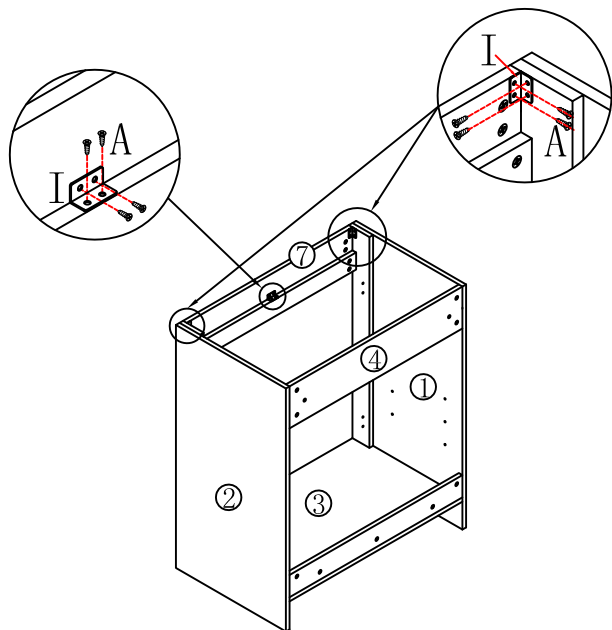
	x2
E	
(∅4 x 14mm)	
	x12
A	



Step 8



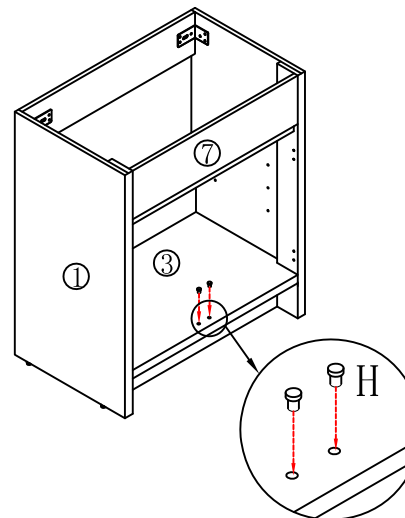
	x4
O	

Step 6



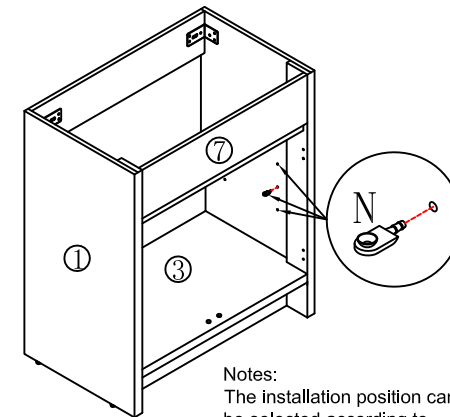
	x3
I	
(∅4 x 14mm)	
	x12
A	

Step 9



	x2
H	

Step 10



	x4
N	

Notes:
The installation position can be selected according to the required height.