









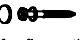




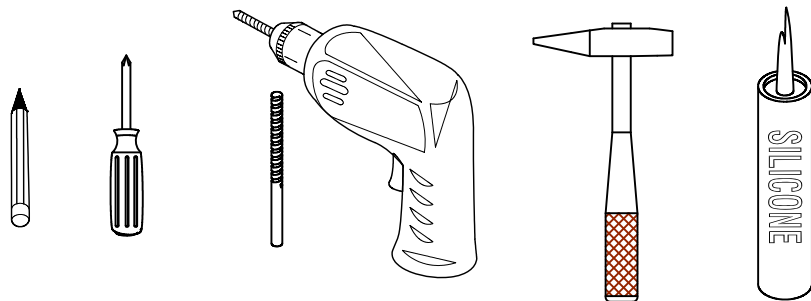


Item NO.:BV C04313

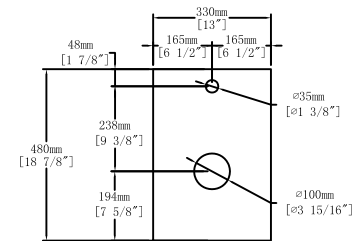
Hardware

NO.	Draw	QTY	NO.	Draw	QTY
A	 Screws Ø4x14mm	32	I	 Hinges	2
B	 Two-in-one connector	26	J	 Handle	1
C	 Two-in-one connector	26	K	 Screws M4x18mm	1
D	 Wood plug	6	L	 Anti-collision gasket	2
E	 Plastic anchor(Ø10mm)	2	M	 Adjustable feet	4
F	 Screws for fix on the wall	2	N	 Door stopper	1
G	 Bracket (53x70x44mm)	2	O	 Screwdriver	1
H	 Bracket (19x19x35mm)	2			

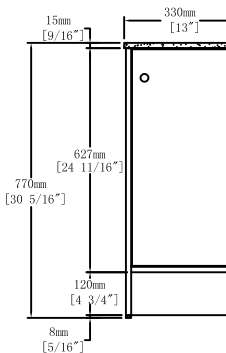
Recommended tools



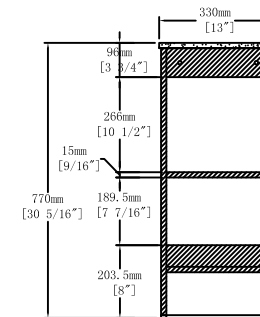
Dimensions



Top View



Front View

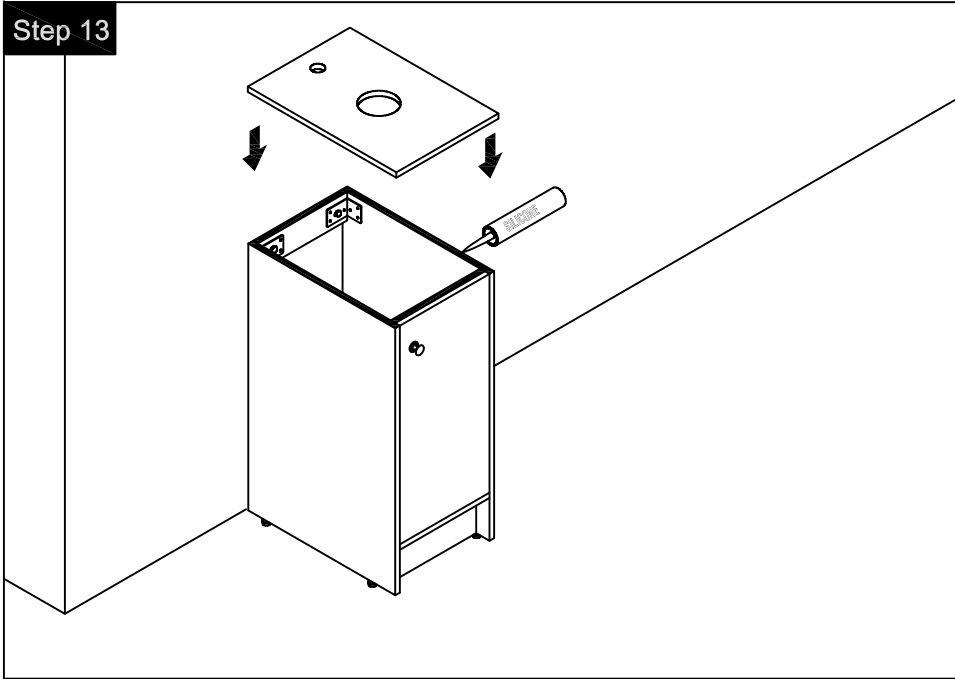


Front View

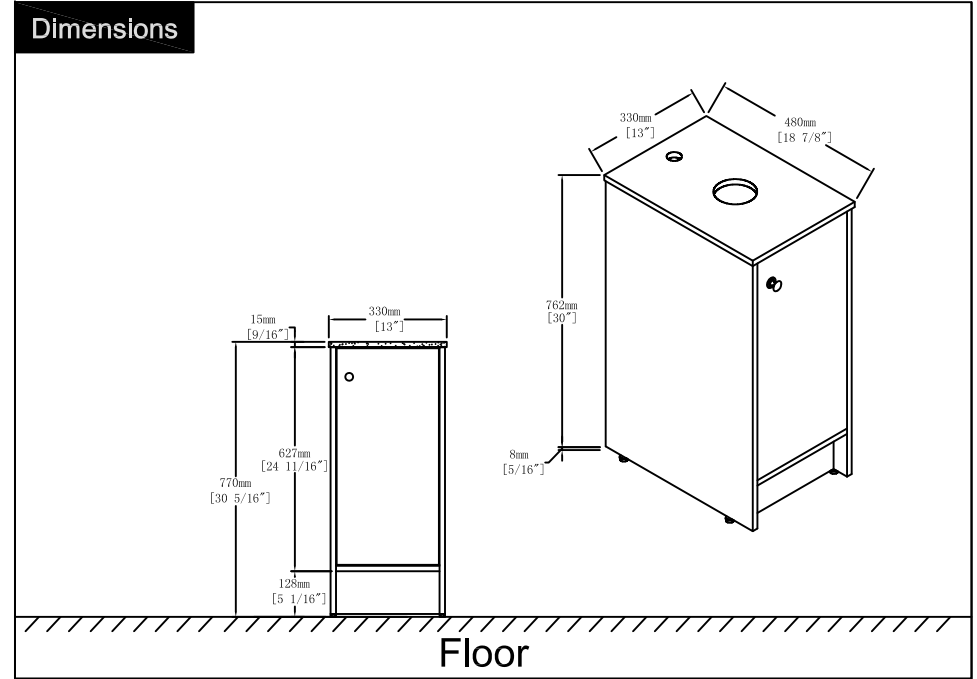
CARE CLEANING AND MAINTENANCE

1. Dust regularly with a soft , dry cloth.
2. Avoid the use of all chemicals household cleaners, abrasives, or cleaners that contain lemon, vinegar, or other acids that may damage the finish.
3. Excessive exposure to sunlight and extreme changes in temperature and moisture can damage wood furniture.
4. The sink top is resilient, but care needs to be taken to preserve its appearance.
5. Do not place hot appliances, such as curling irons and hot hair dryers directly on the countertop. Wipe spills immediately.

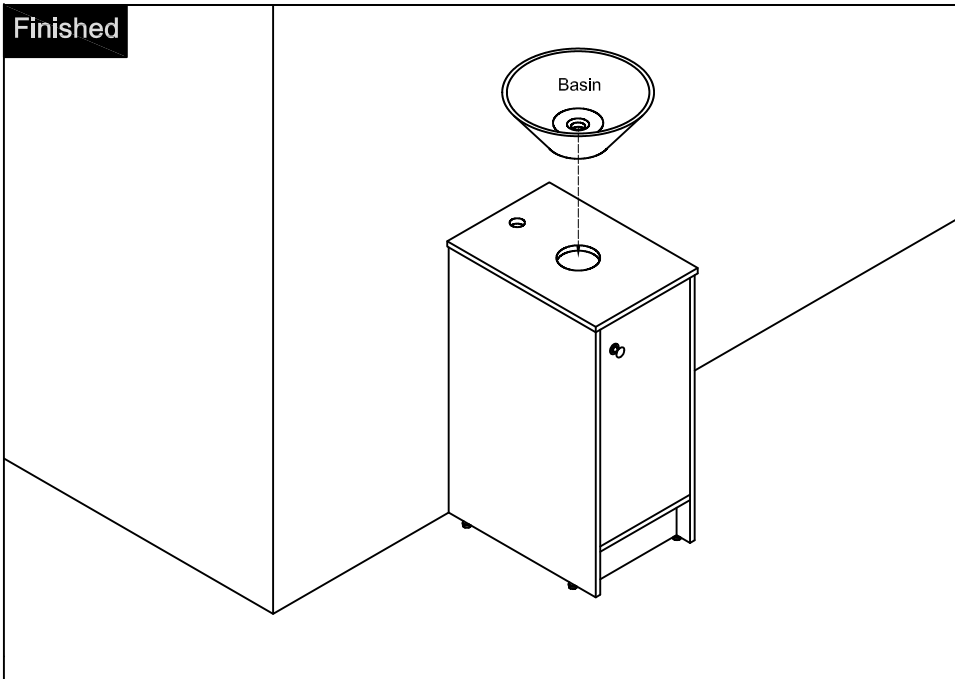
Step 13



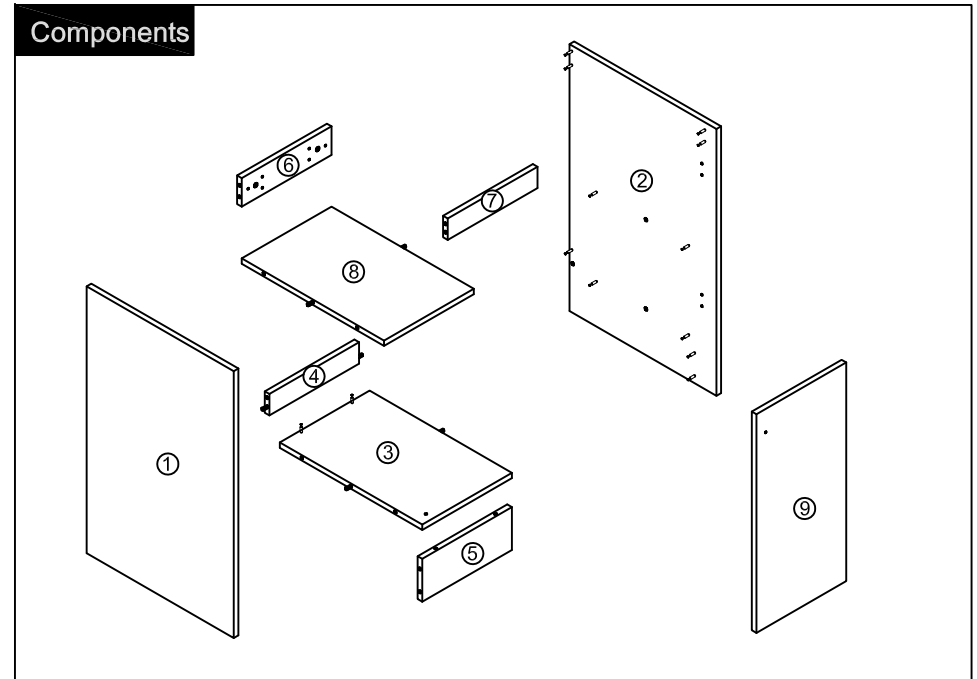
Dimensions



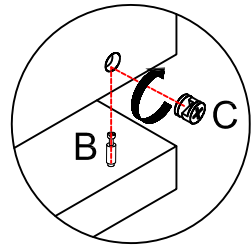
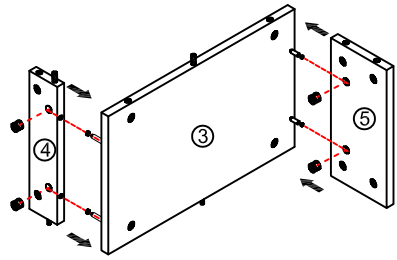
Finished




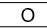


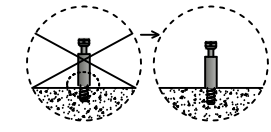
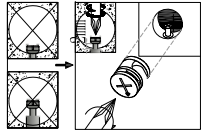
Components



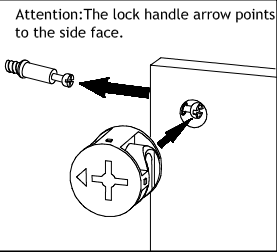
Step 1



-  x4
-  x4
-  x1
- 

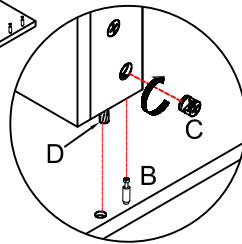
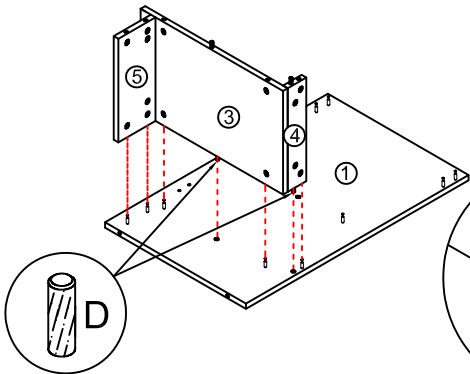







Notes: Screw installation depth as shown



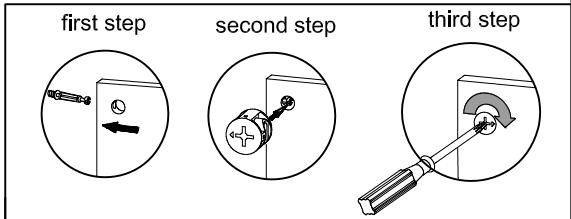
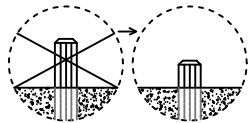
Attention: The lock handle arrow points to the side face.

Step 2

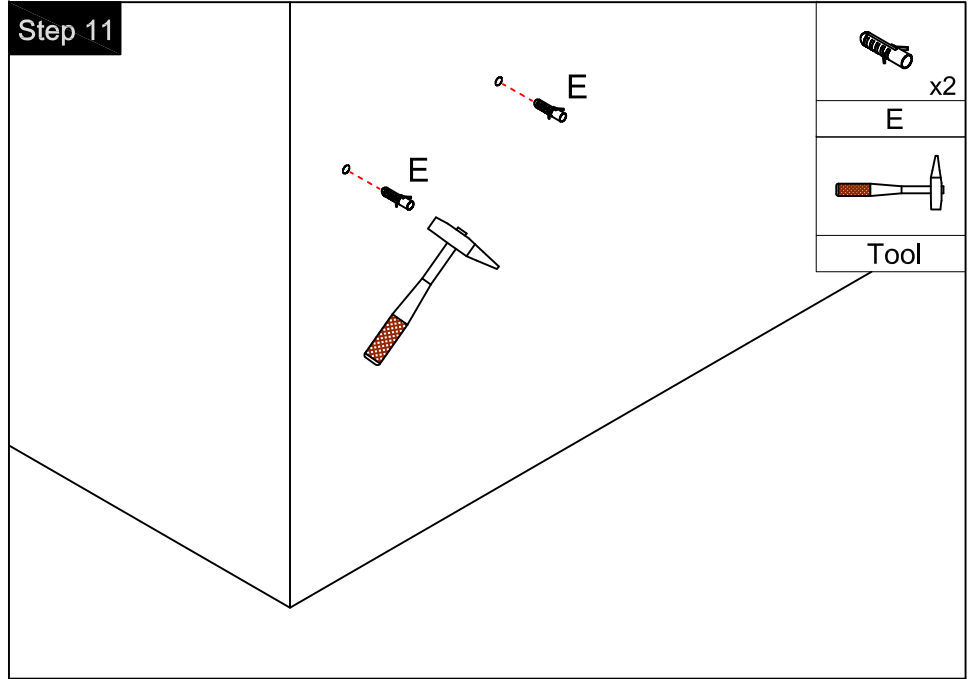




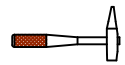
-  x5
-  x5
-  x2
-  x1
- 

Note: The D parts are used for these two holes

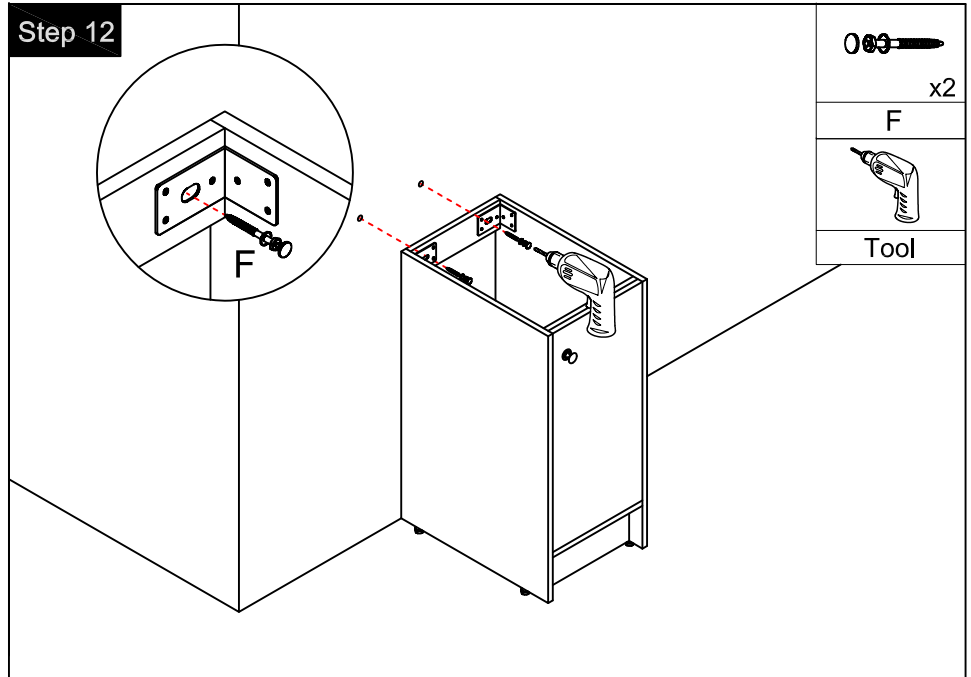





Step 11

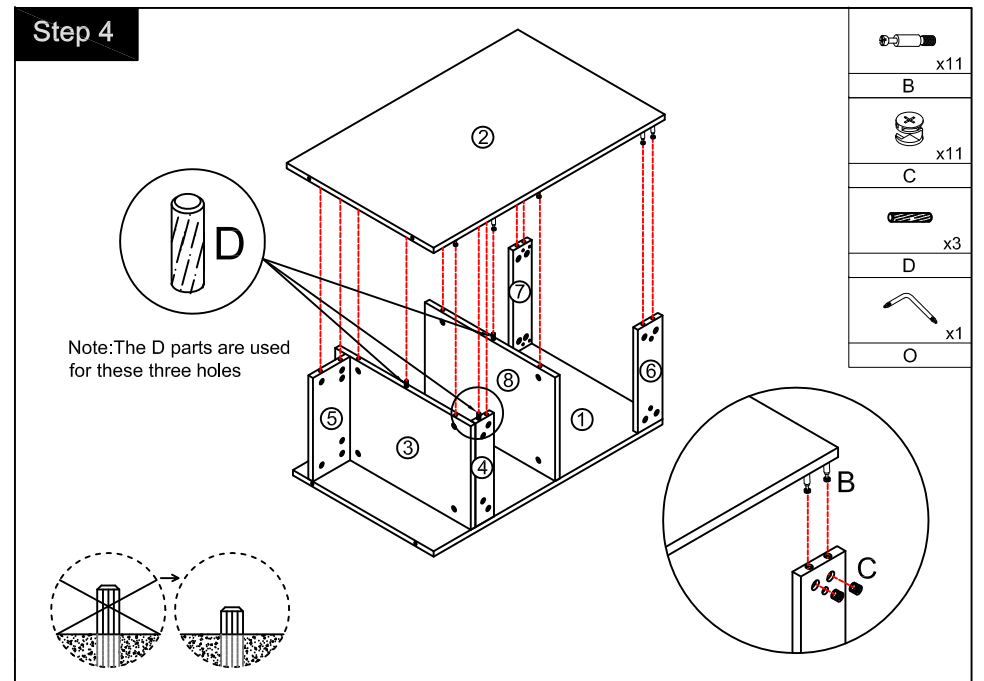
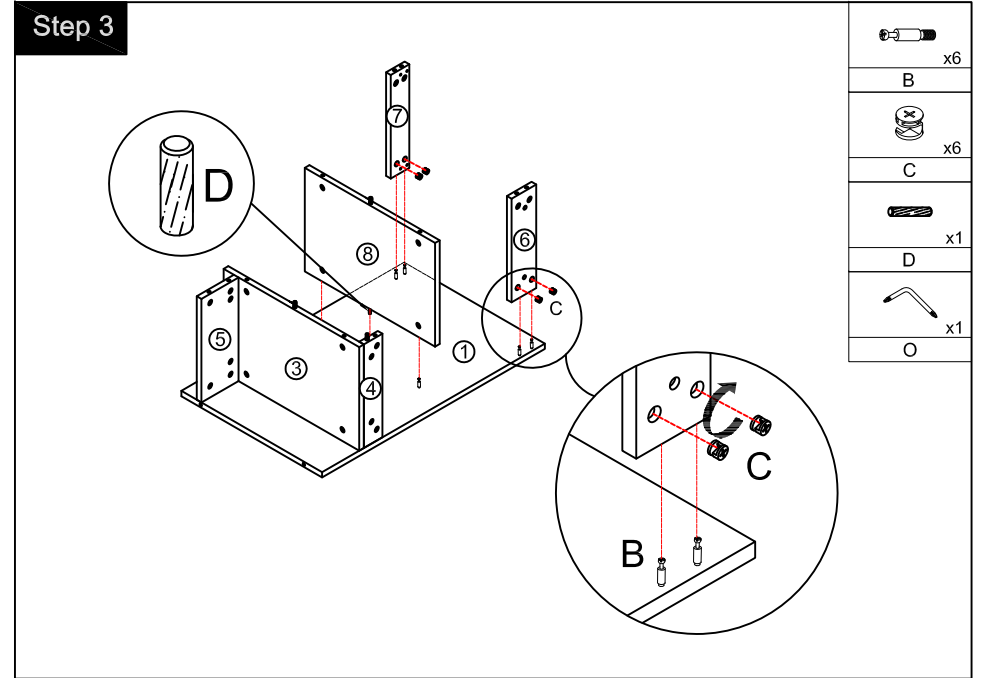
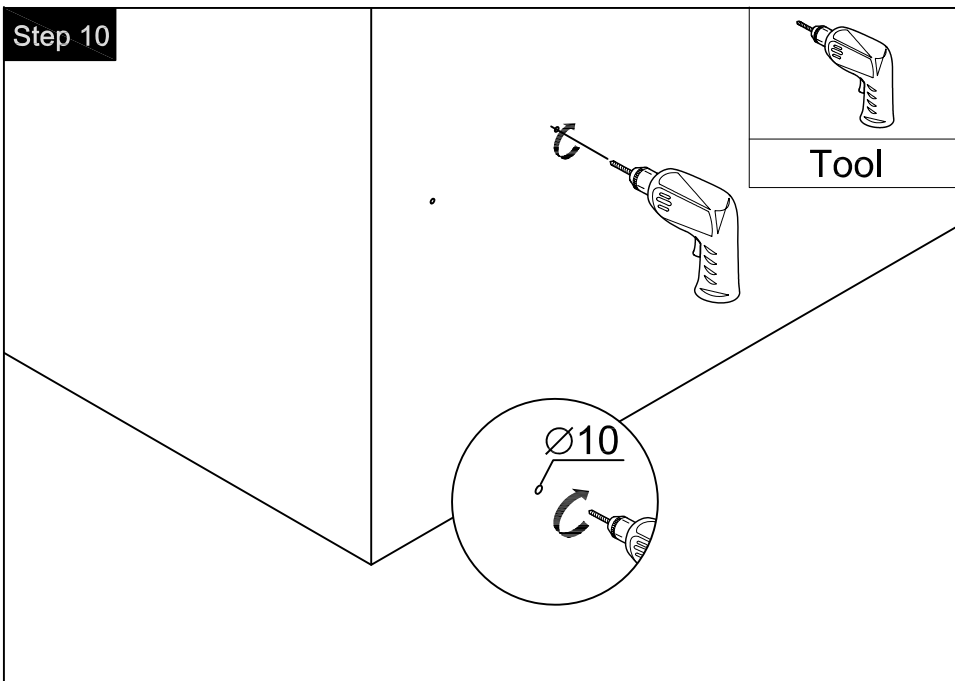
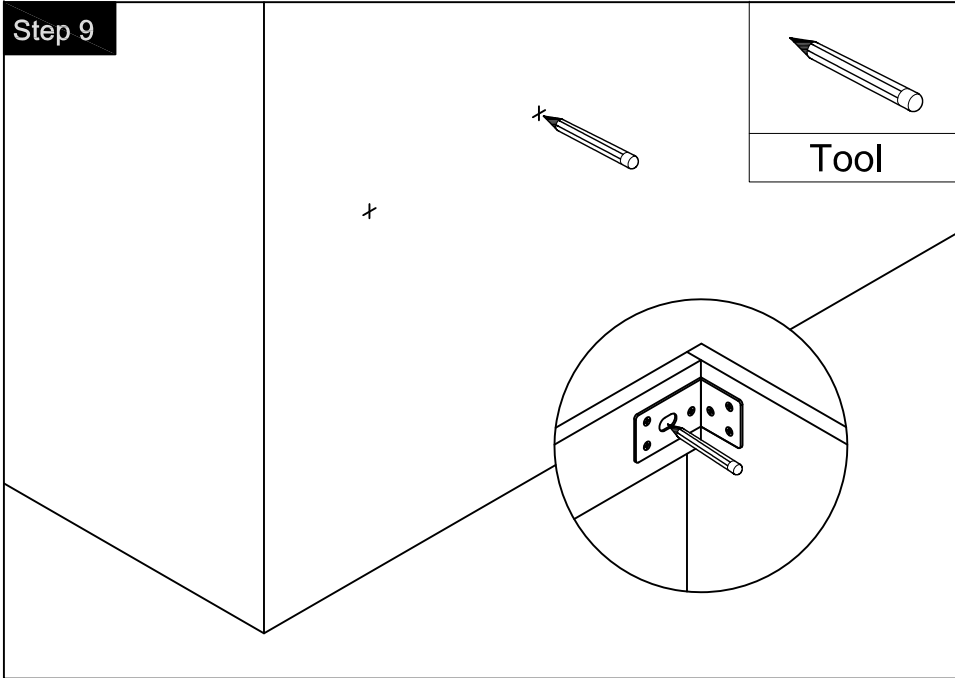


-  x2
- 
- 
- Tool

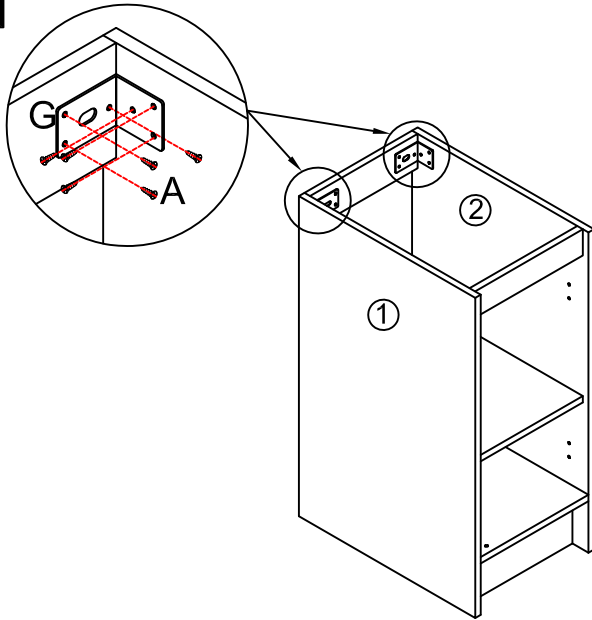
Step 12






-  x2
- 
- 
- Tool

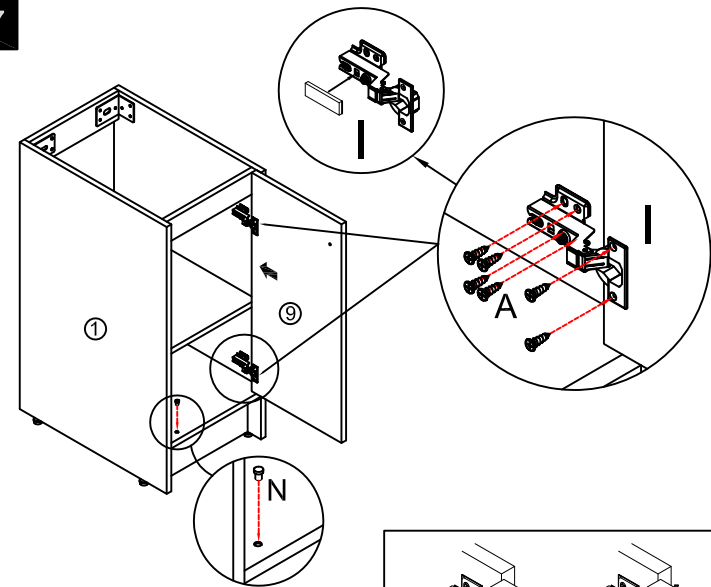






Step 5



	x2
G	(∅4 x 14mm)
	x12
A	
	
Tool	

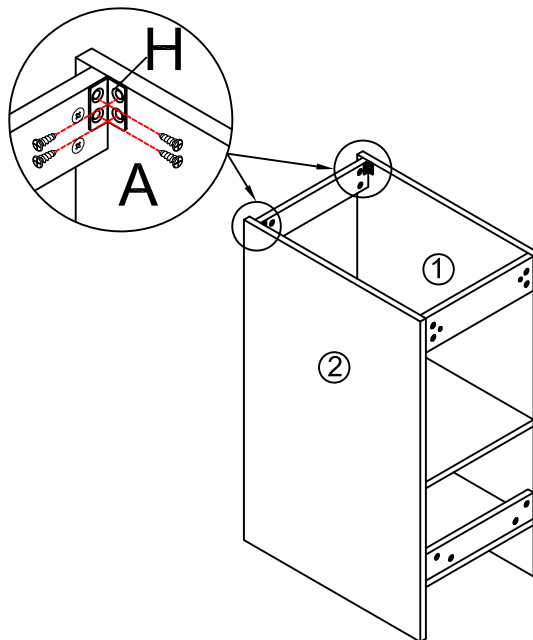
Step 7






	x2
I	(∅4 x 14mm)
	x12
A	
	x1
N	
	
Tool	

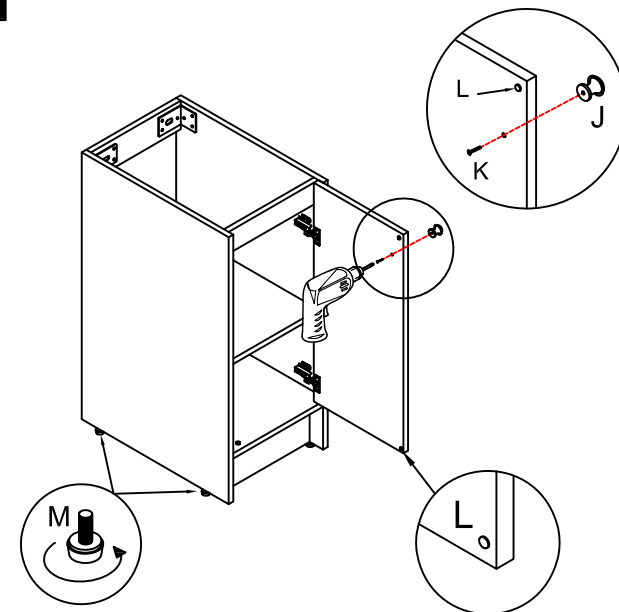
You can adjust the doors by tightening or loosening the screws on the hinge. →





Step 6



	x2
H	(∅4 x 14mm)
	x8
A	
	
Tool	

Step 8



	x1
K	
	x2
L	
	x4
M	
	
Tool	