


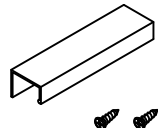



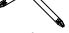

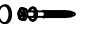


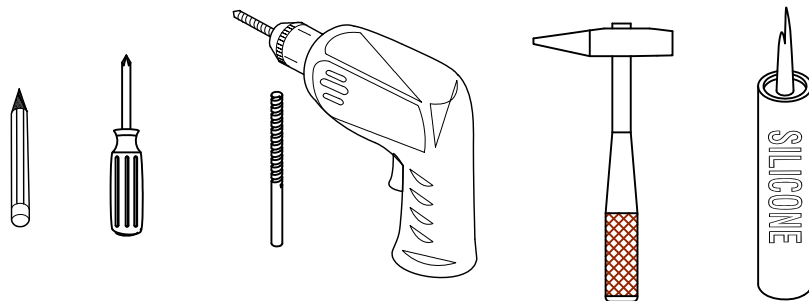


# Item NO.:BV C04224 / C04230

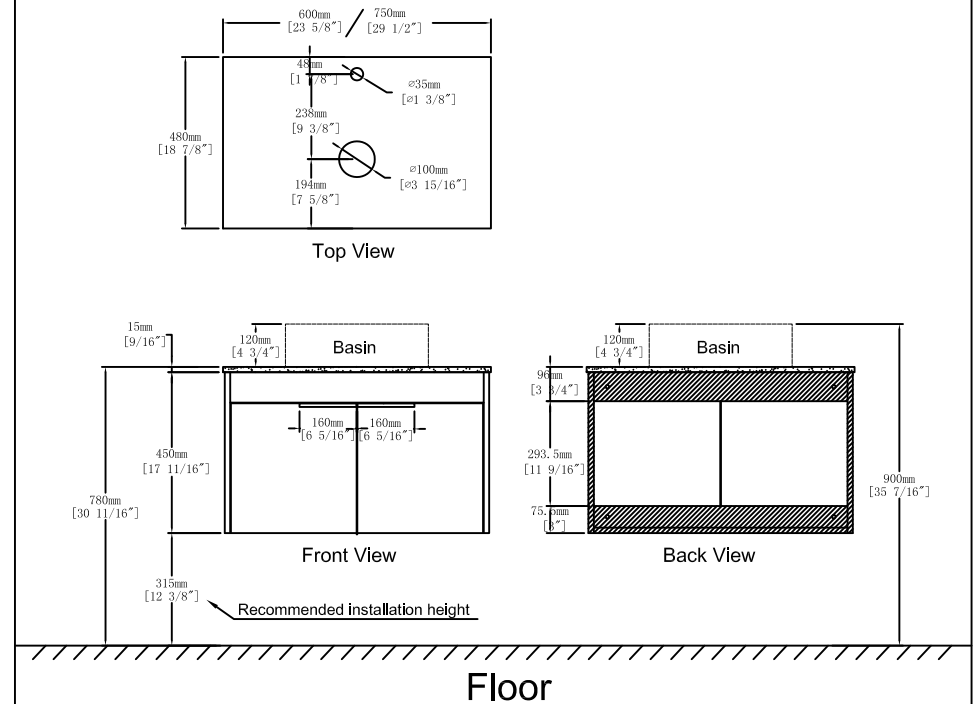
## Hardware

NO.	Draw	QTY	NO.	Draw	QTY
A	 Screws Ø4x14mm	48	I	 Hinges	4
B	 Two-in-one connector	17	J	 Handle ( Screws Ø4x14mm)	2
C	 Two-in-one connector	17	K	 Anti-collision gasket	4
D	 Wood plug	8	L	 Screwdriver	1
E	 Plastic anchor(Ø10mm)	4			
F	 Screws for fix on the wall	4			
G	 Bracket (53x70x44mm)	2			
H	 Bracket (19x19x35mm)	3			

## Recommended tools



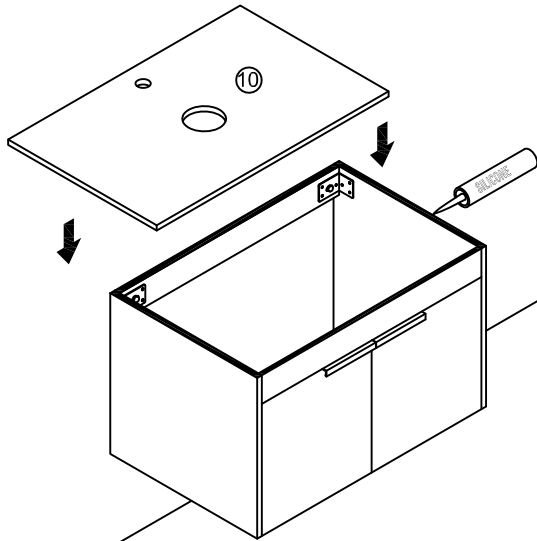
## Dimensions



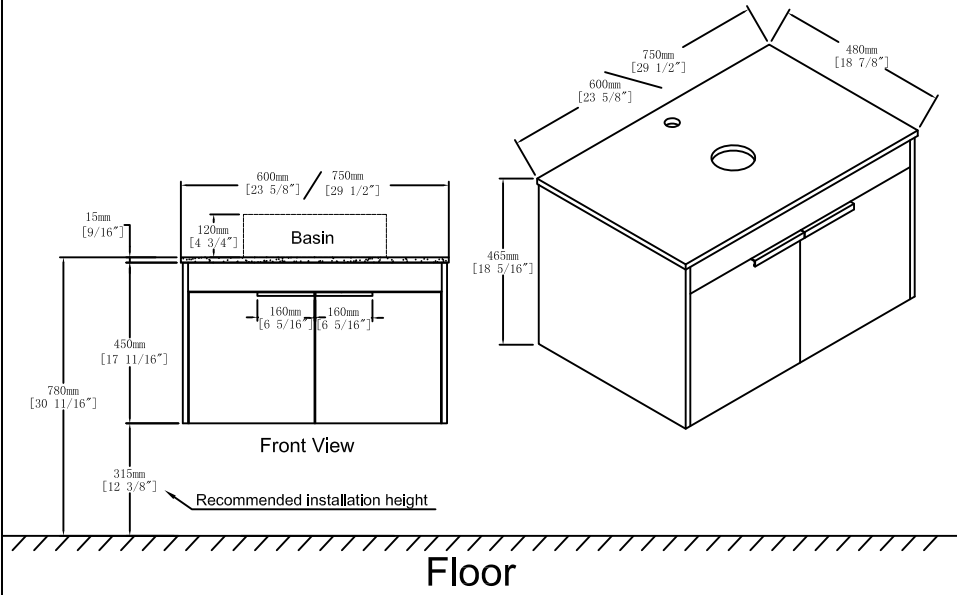
## CARE CLEANING AND MAINTENANCE

1. Dust regularly with a soft , dry cloth.
2. Avoid the use of all chemicals household cleaners, abrasives, or cleaners that contain lemon, vinegar, or other acids that may damage the finish.
3. Excessive exposure to sunlight and extreme changes in temperature and moisture can damage wood furniture.
4. The sink top is resilient, but care needs to be taken to preserve its appearance.
5. Do not place hot appliances, such as curling irons and hot hair dryers directly on the countertop. Wipe spills immediately.

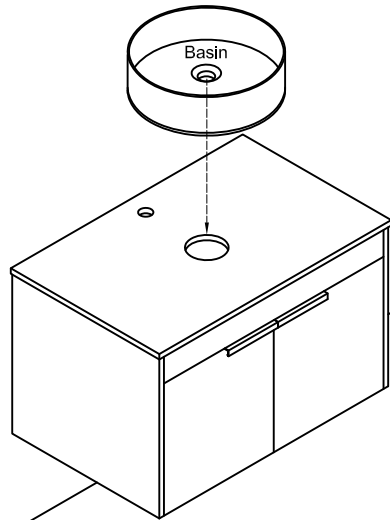
Step 13



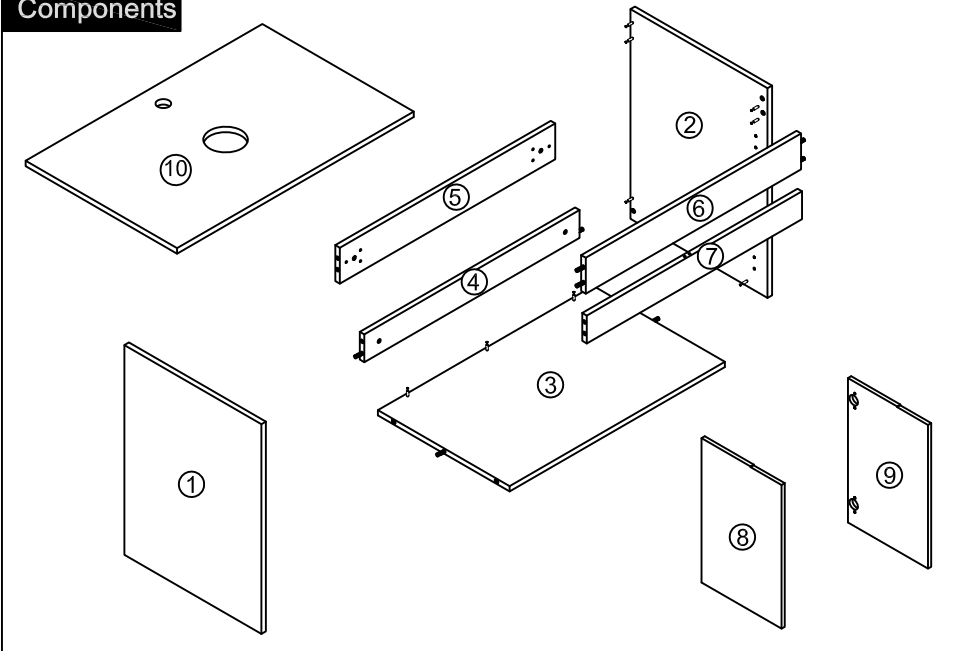
Dimensions



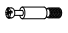

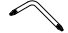
Finished

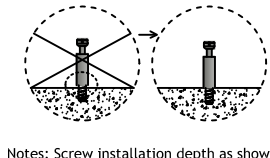
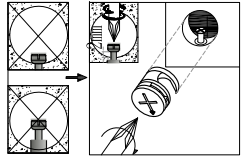
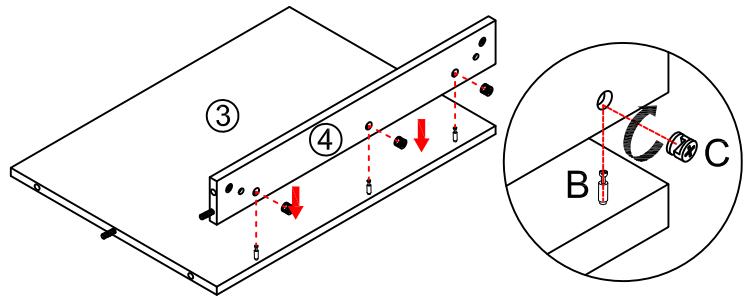


Components

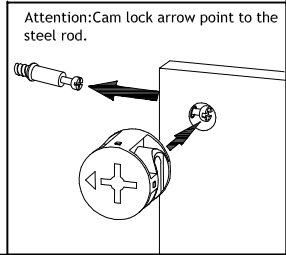


### Step 1

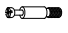


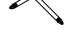
-  x3
-  x3
-  x1

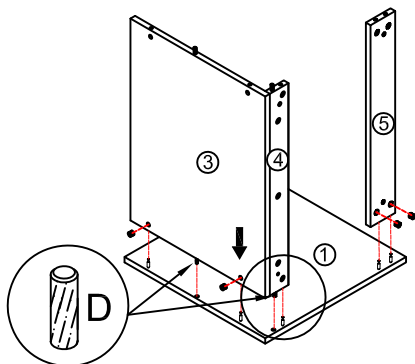
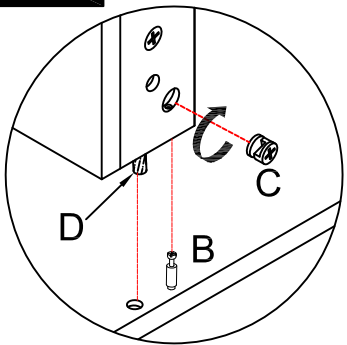


Notes: Screw installation depth as shown

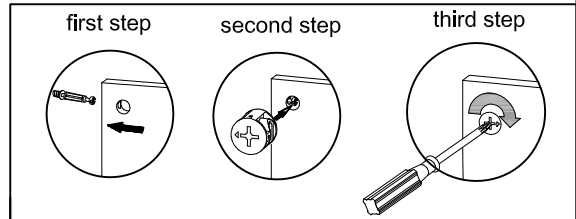
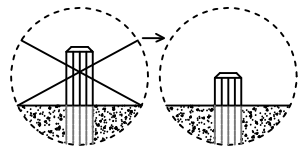


### Step 2



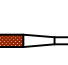
-  x5
-  x5
-  x2
-  x1

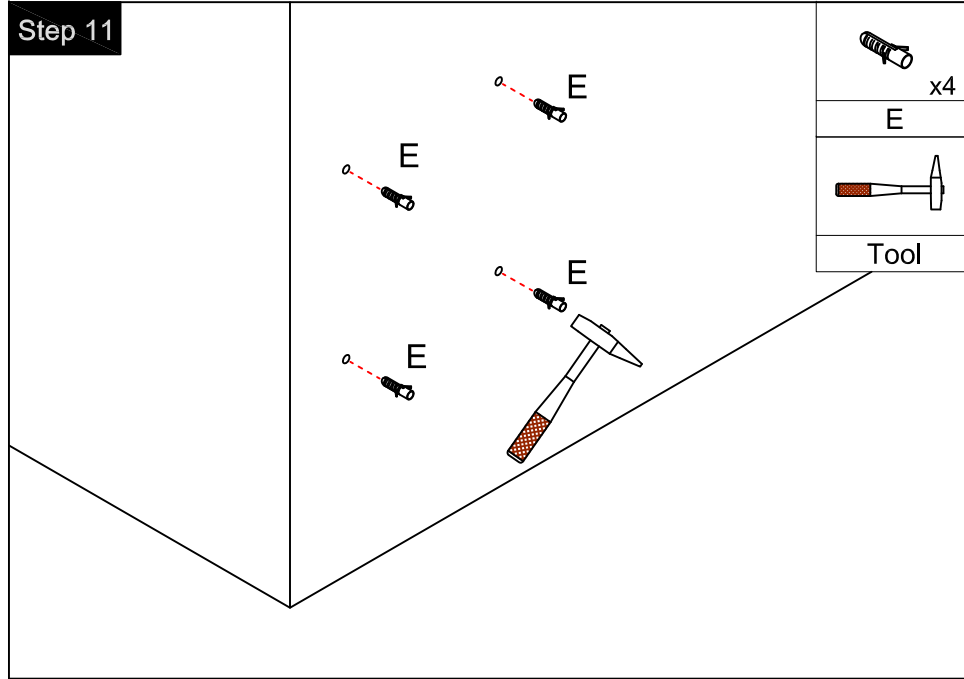


Note: The D parts are used for these two holes

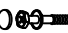



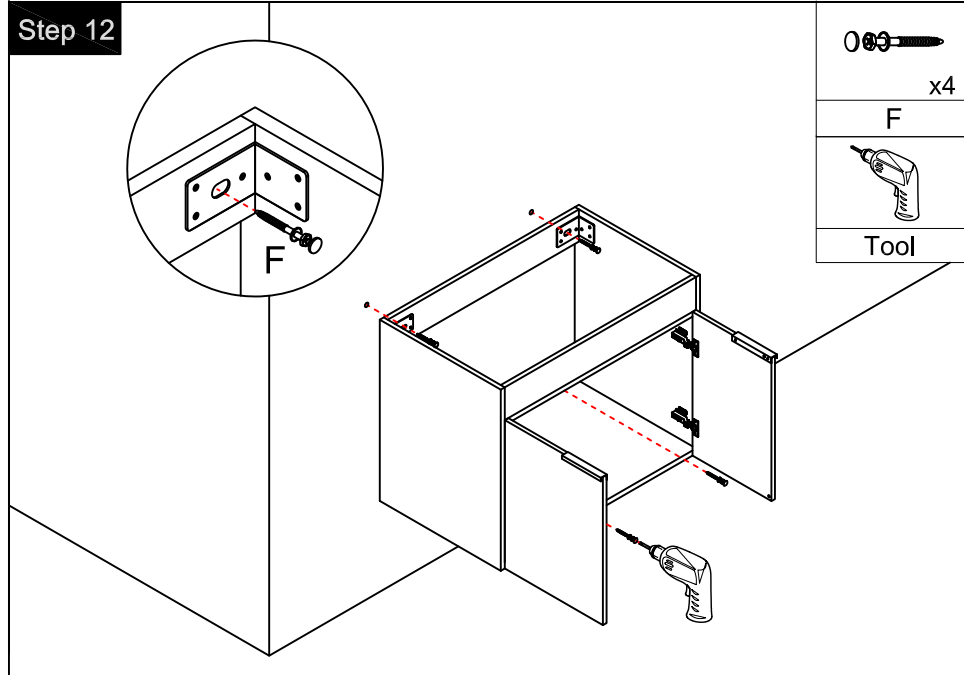
### Step 11

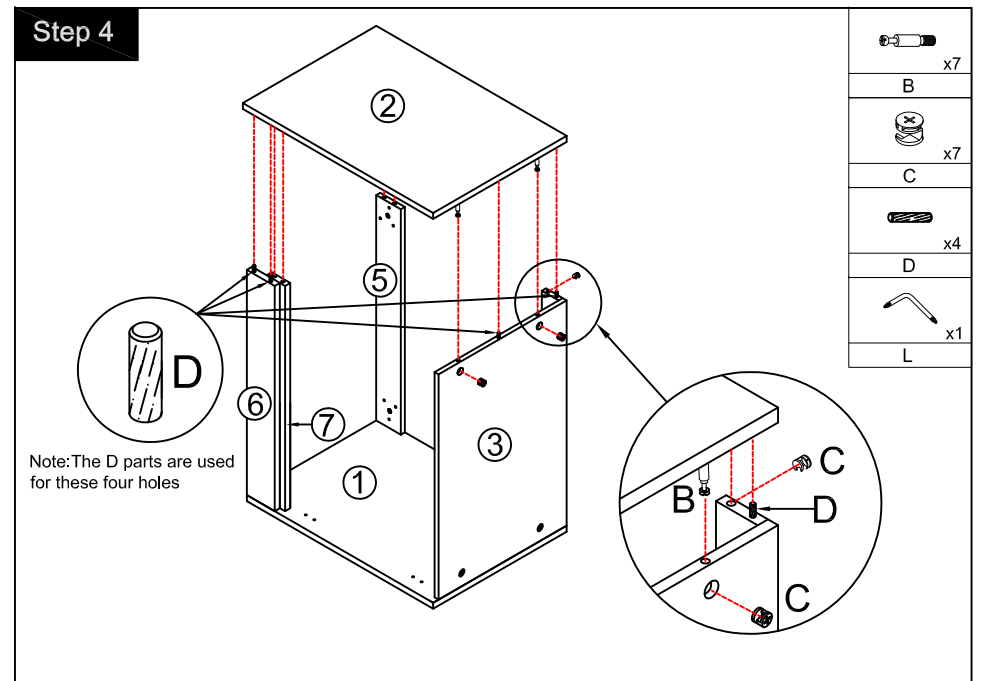
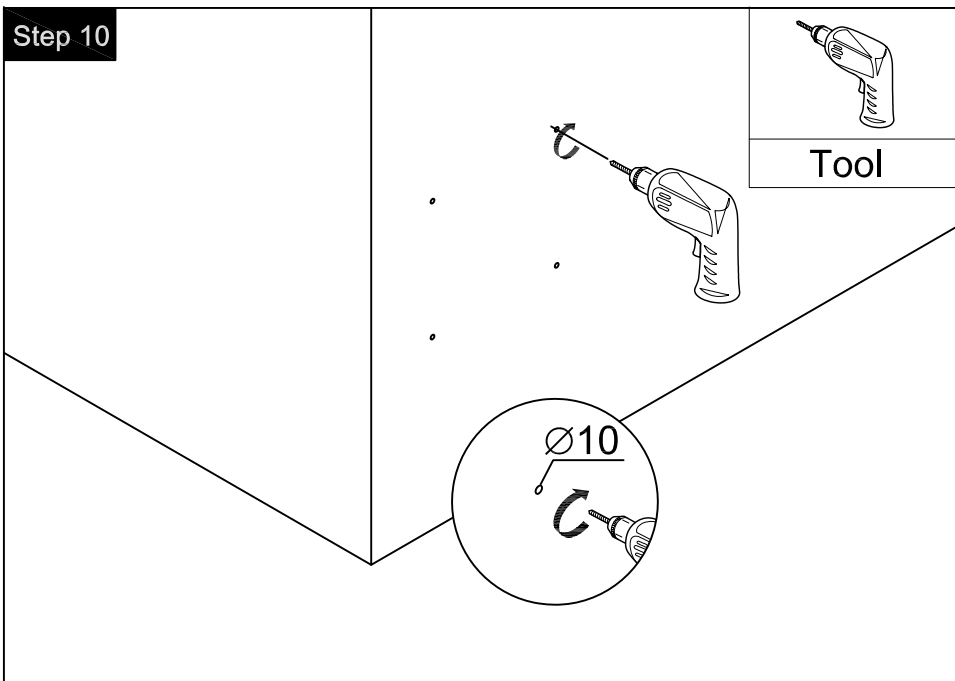
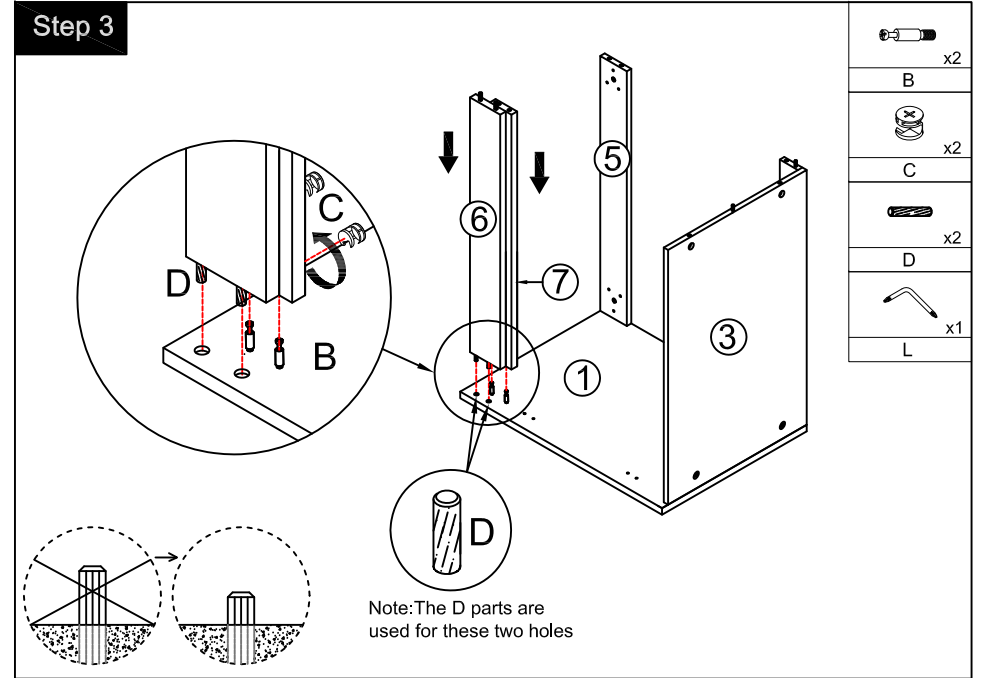
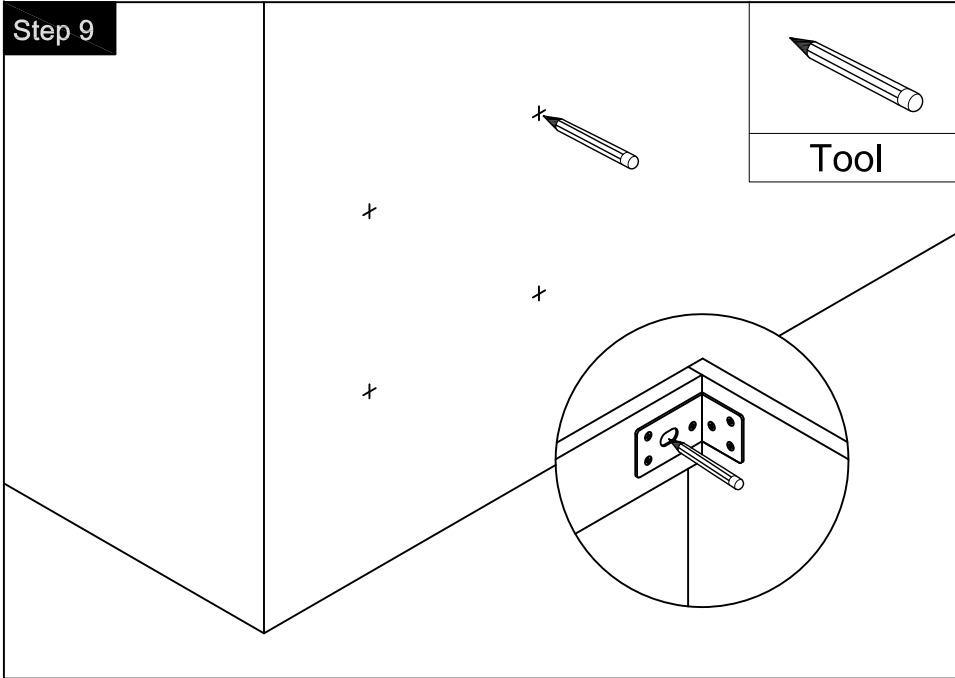
-  x4
-  x1
-  Tool



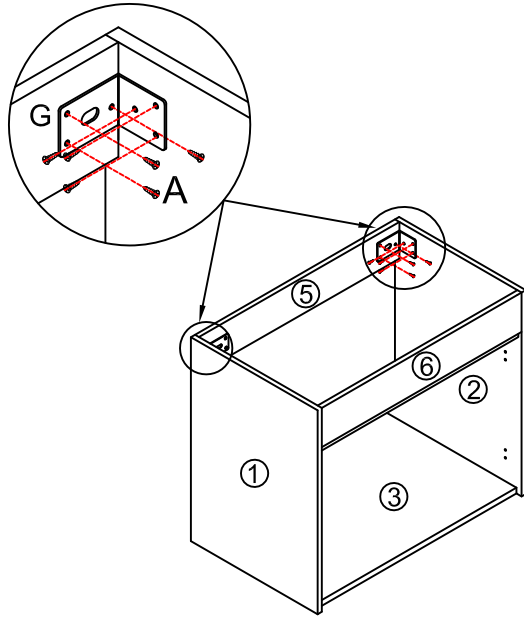
### Step 12




-  x4
-  Tool



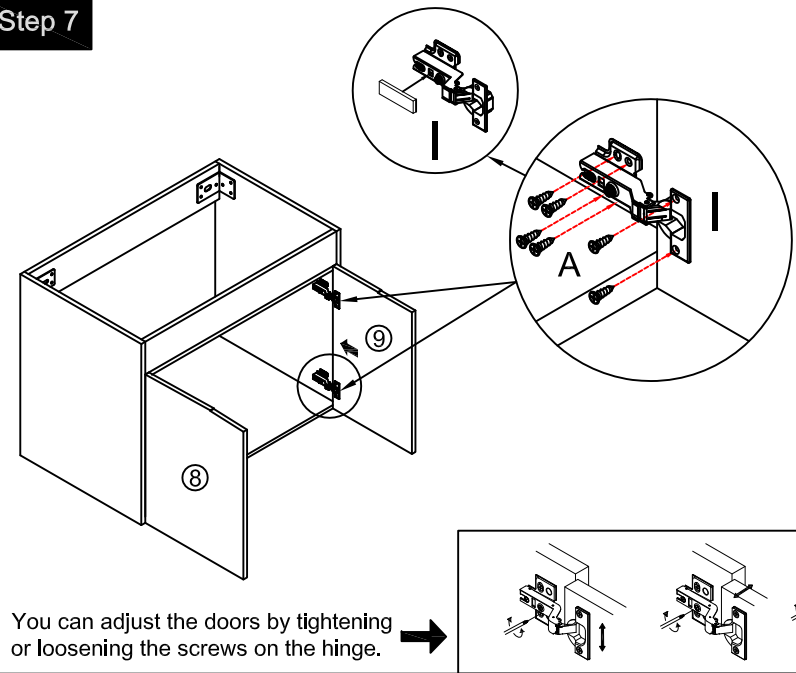


### Step 5


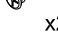



	x2
G	(∅4 x 14mm)
	x12
A	
	Tool

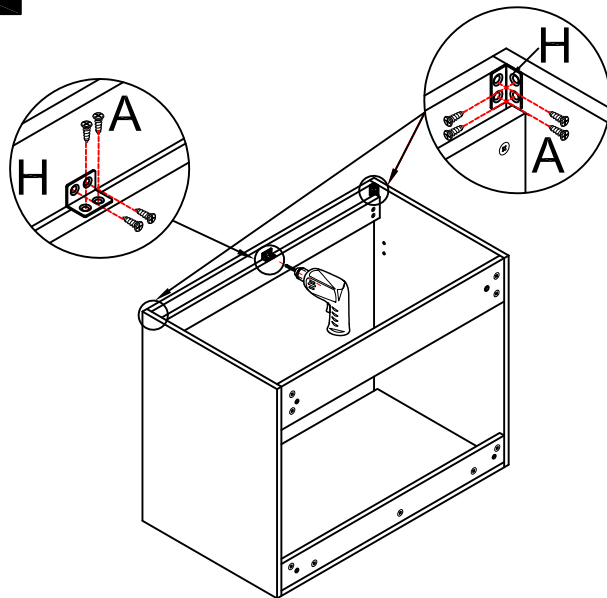
### Step 7






You can adjust the doors by tightening or loosening the screws on the hinge. →

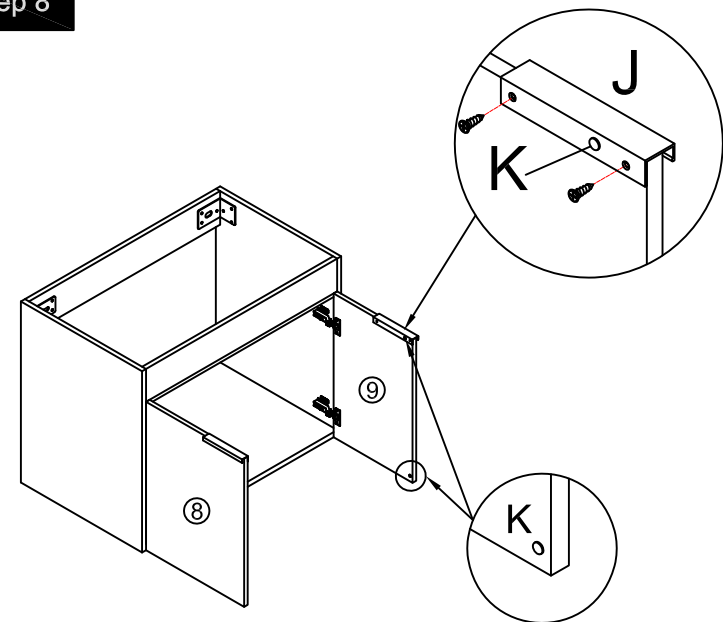
	x4
I	(∅4 x 14mm)
	x24
A	
	Tool




### Step 6



	x3
H	(∅4 x 14mm)
	x12
A	
	Tool

### Step 8



	x2
J	
	x4
K	
	Tool