
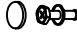
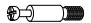
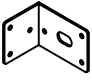



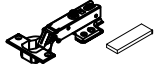



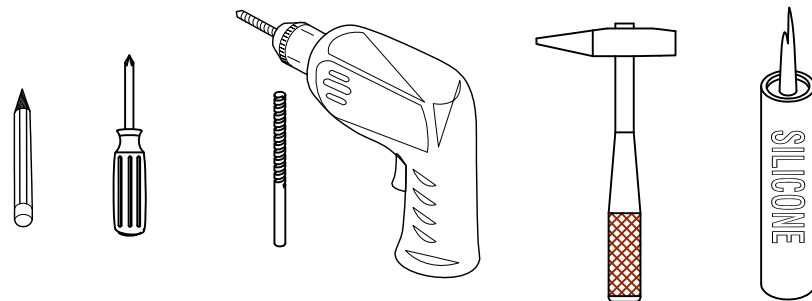


Item NO.:BV C07520 CPW / BV C07520 PB

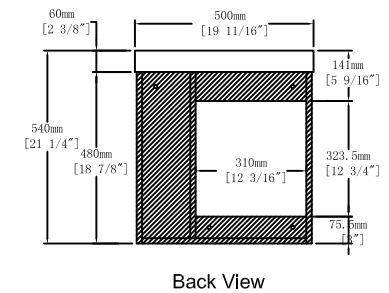
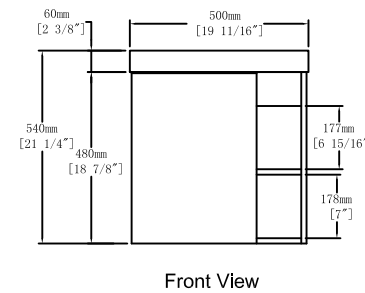
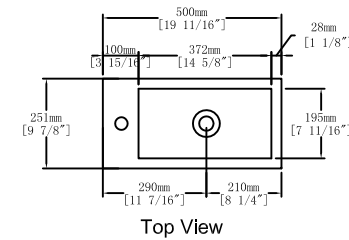
Hardware

| NO. | Draw | QTY | NO. | Draw | QTY |
|-----|------------------------------------------------------------------------------------------------------------|-----|-----|-----------------------------------------------------------------------------------------------------------------|-----|
| A |  Screws Ø4x14mm | 32 | F |  Screws for fix on the wall | 4 |
| B |  Two-in-one connector | 30 | G |  Bracket (53x70x44mm) | 2 |
| C |  Two-in-one connector | 30 | H |  Bracket (19x19x35mm) | 2 |
| D |  Wood plug | 7 | I |  Hinges (Full cover) | 2 |
| E |  Plastic anchor(Ø10mm) | 4 | J |  Anti-collision gasket | 2 |
| | | | K |  Screwdriver | 1 |

Recommended tools



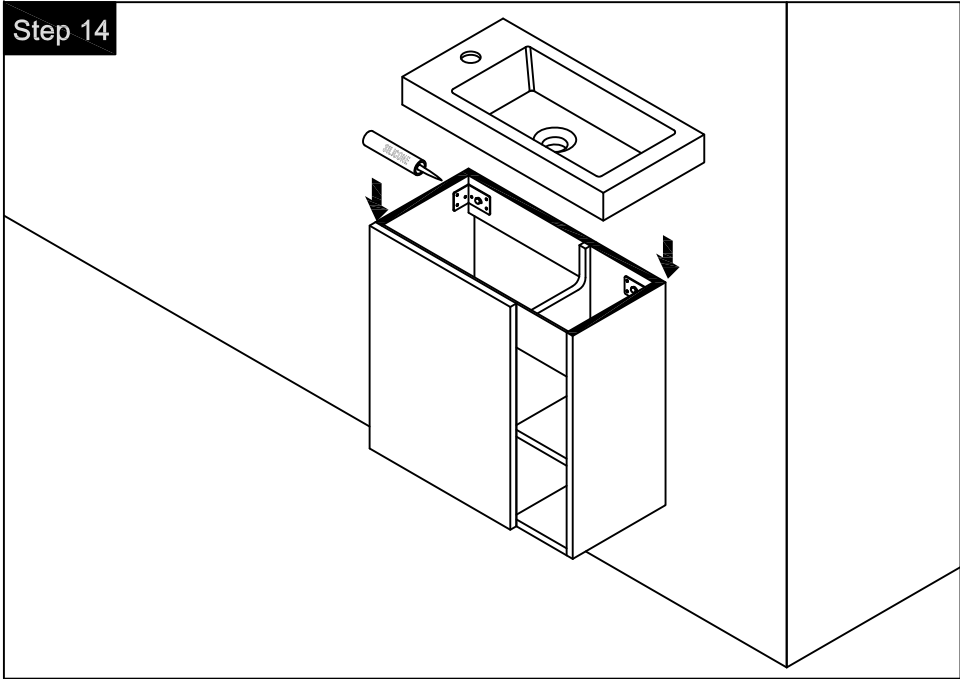
Dimensions



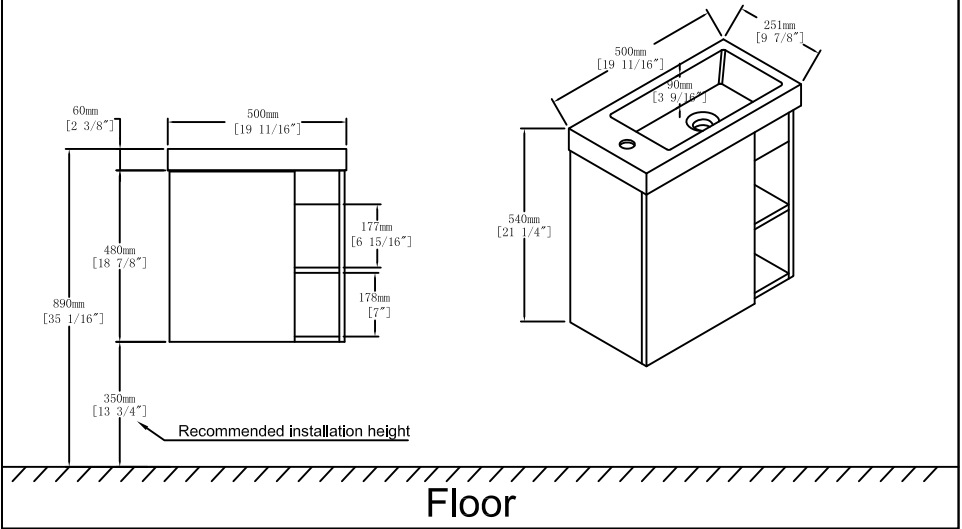
CARE CLEANING AND MAINTENANCE

1. Dust regularly with a soft , dry cloth.
2. Avoid the use of all chemicals household cleaners, abrasives, or cleaners that contain lemon, vinegar, or other acids that may damage the finish.
3. Excessive exposure to sunlight and extreme changes in temperature and moisture can damage wood furniture.
4. The sink top is resilient, but care needs to be taken to preserve its appearance.
5. Do not place hot appliances, such as curling irons and hot hair dryers directly on the countertop. Wipe spills immediately.

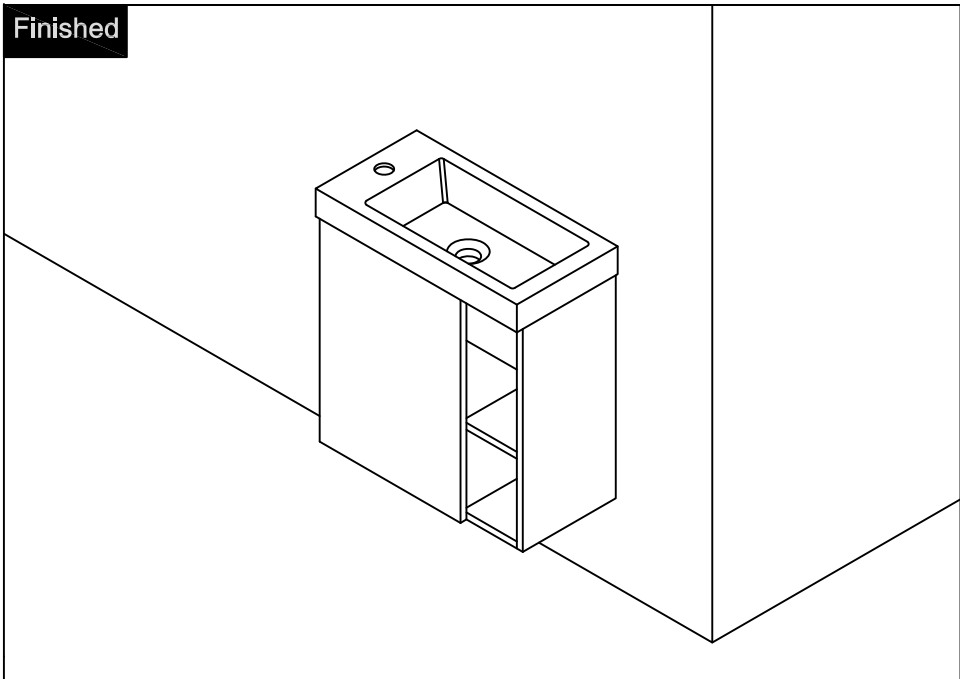
Step 14



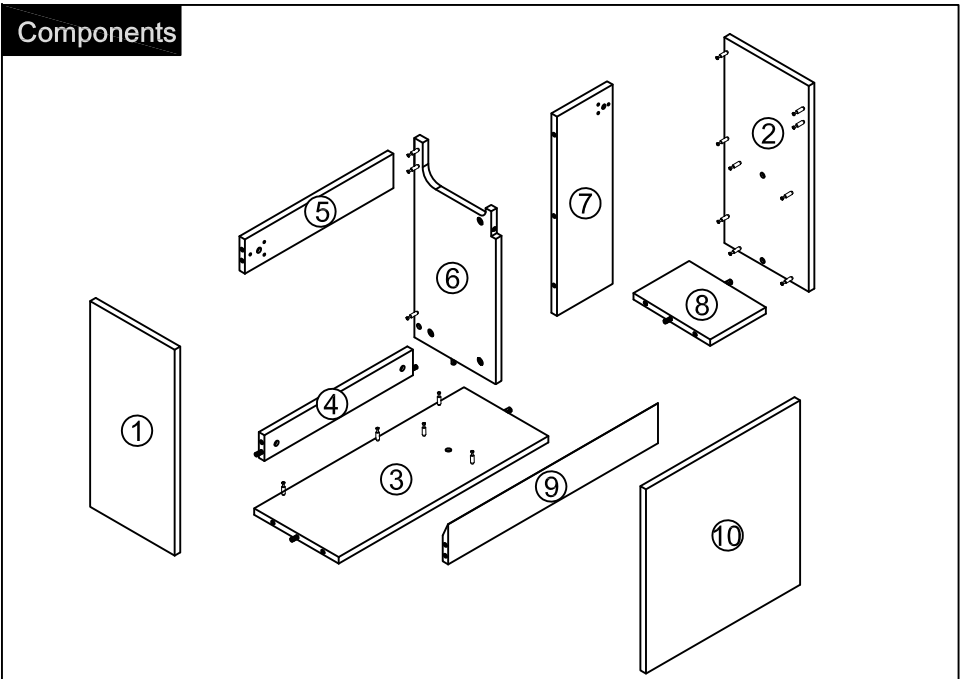
Dimensions



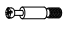

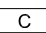
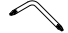
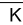
Finished

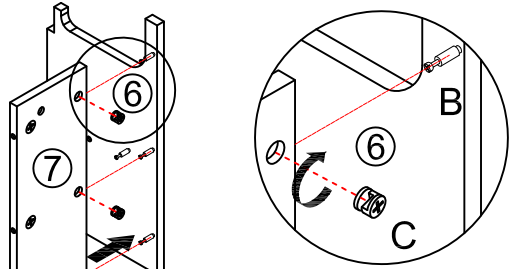


Components

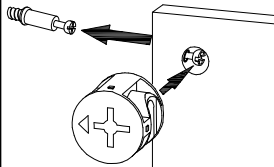


Step 1

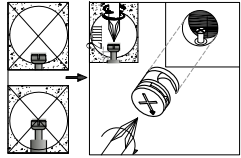
-  x3
-  x3
-  x3
-  x1
-  x1



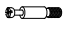
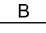



Attention: Cam lock arrow point to the steel rod.

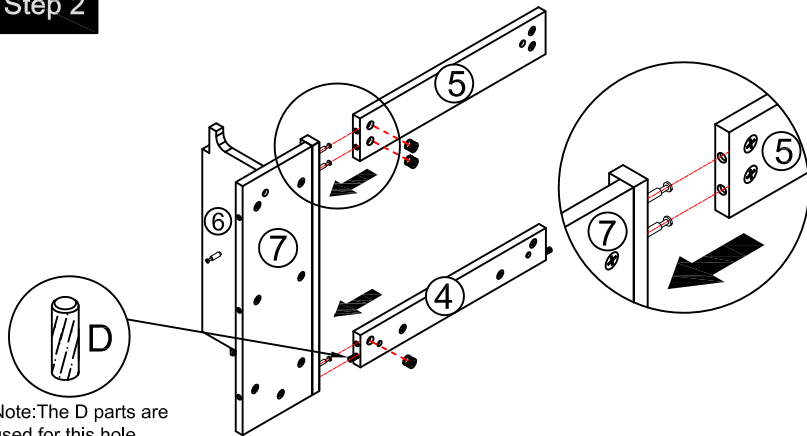


Notes: Screw installation depth as shown



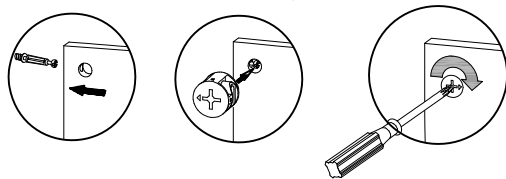
Step 2

-  x3
-  x3
-  x3
-  x1
-  x1



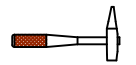


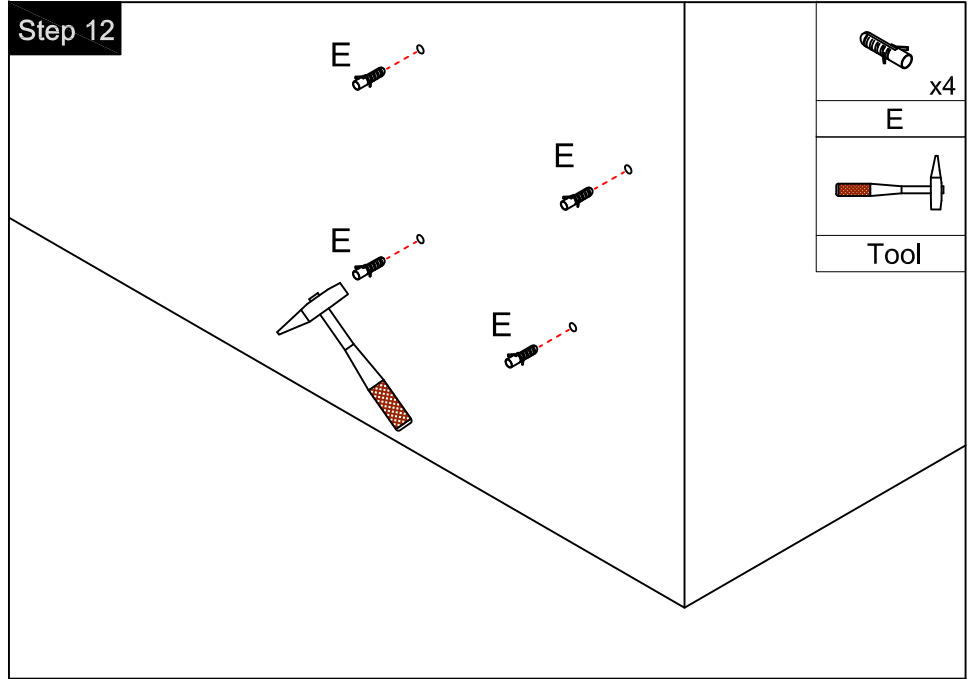
Note: The D parts are used for this hole

first step second step third step

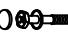




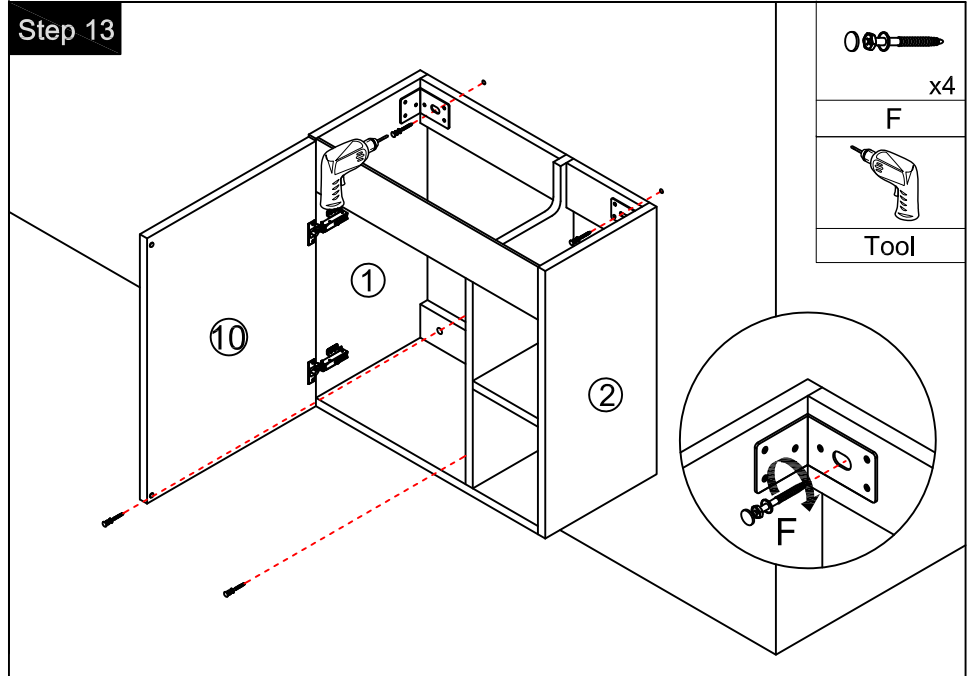
Step 12

-  x4
-  x4
-  Tool



Step 13

-  x4
-  x4
-  Tool



Step 9

You can adjust the doors by tightening or loosening the screws on the hinge.

- x2
- I (Ø4 x 14mm)
- x12
- A
- x2
- J
- Tool

Step 3

Note: The D parts are used for this hole

- x5
- B
- x5
- C
- x1
- D
- x1
- K

Step 10

Tool

Step 11

Tool

Ø10

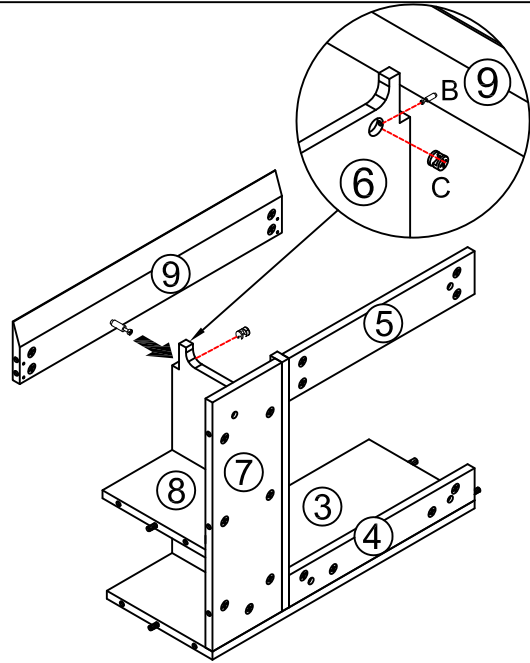
Step 4

Note: The D parts are used for this hole

Note: The D parts are used for this hole

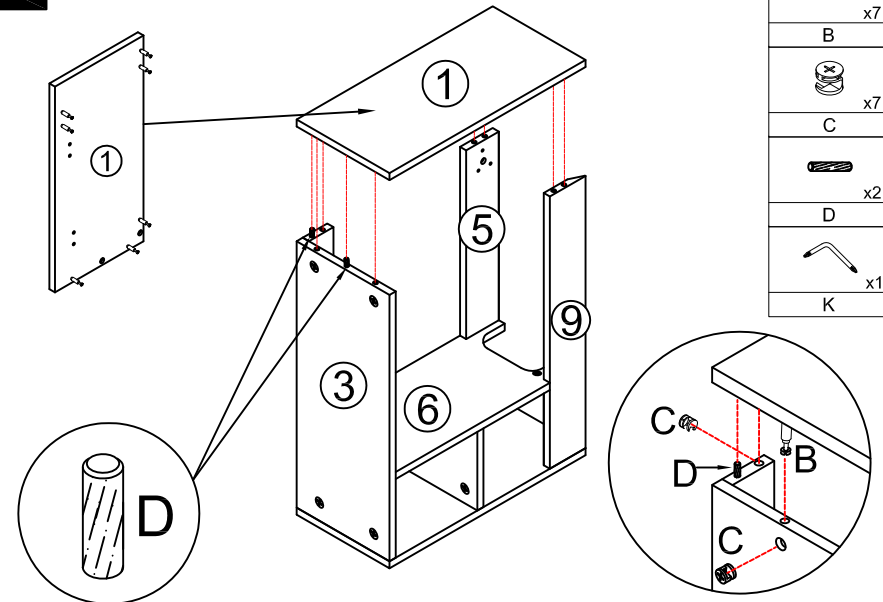
- x2
- B
- x2
- C
- x1
- D
- x1
- K

Step 5



| | |
|---|----|
| | x1 |
| B | |
| | x1 |
| C | |
| | x1 |
| K | |

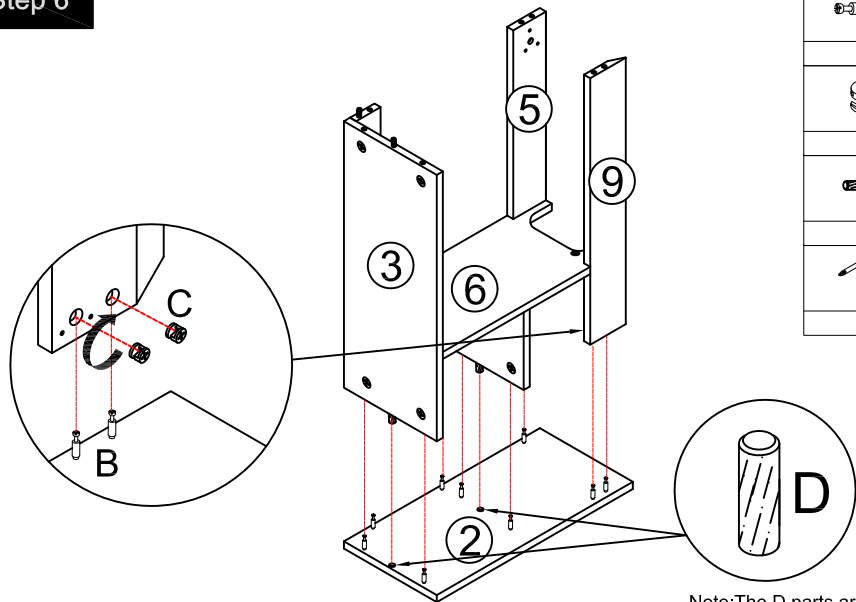
Step 7



| | |
|---|----|
| | x7 |
| B | |
| | x7 |
| C | |
| | x2 |
| D | |
| | x1 |
| K | |

Note: The D parts are used for these two holes

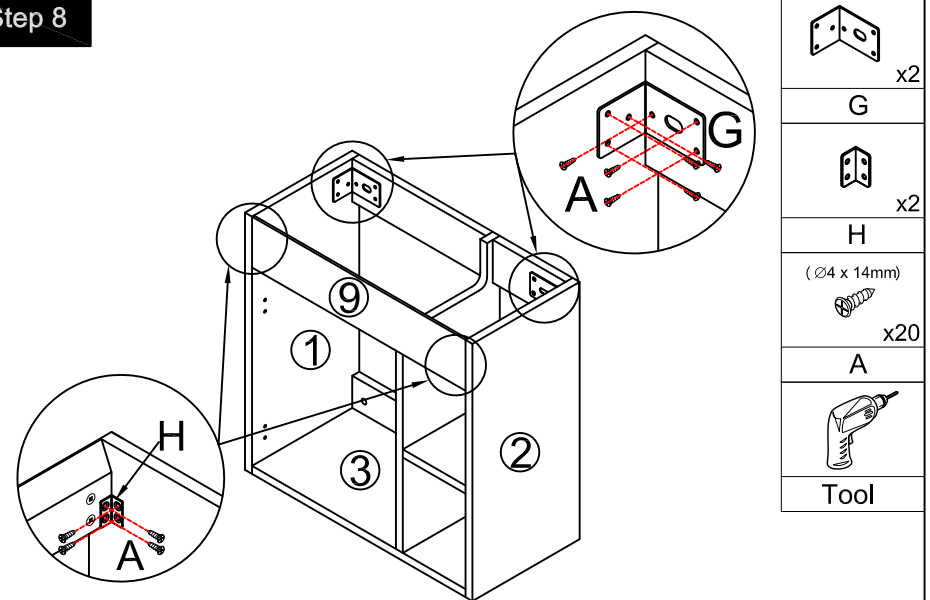
Step 6



| | |
|---|----|
| | x9 |
| B | |
| | x9 |
| C | |
| | x2 |
| D | |
| | x1 |
| K | |

Note: The D parts are used for these two holes

Step 8



| | |
|---|-------------|
| | x2 |
| G | |
| | x2 |
| A | |
| | (∅4 x 14mm) |
| H | x20 |
| | |
| A | |
| | Tool |