

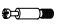
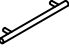









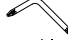


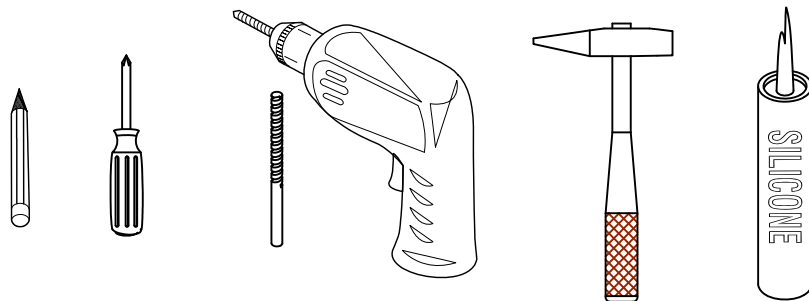


Item NO.:BV C04824 / C04830 / C04836

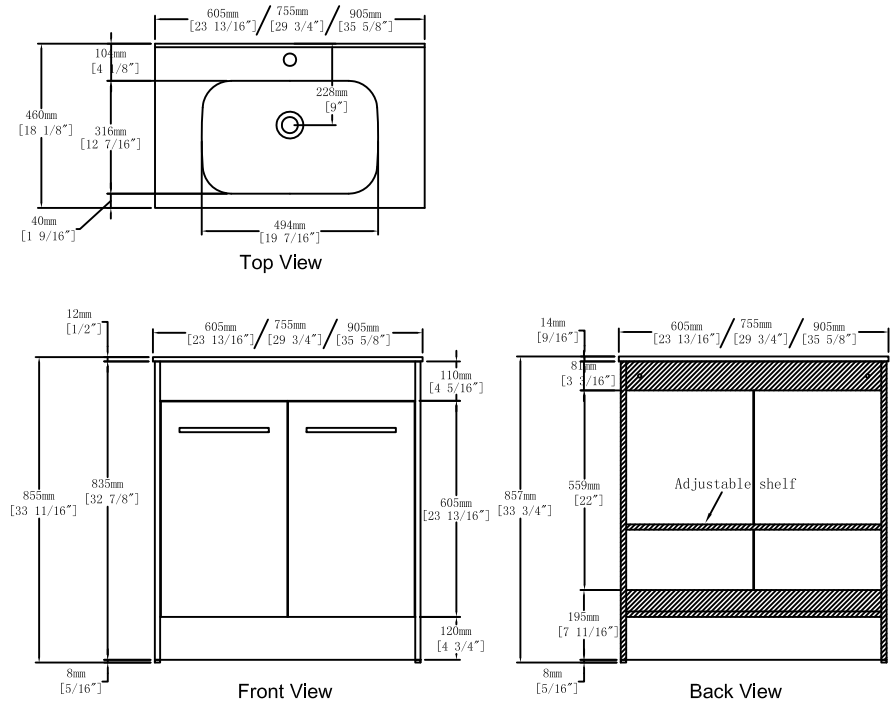
Hardware

NO.	Draw	QTY	NO.	Draw	QTY
A	 Screws Ø4x14mm	48	I	 Hinges	4
B	 Two-in-one connector	26	J	 Handle	2
C	 Two-in-one connector	26	K	 Screws M4x18mm	4
D	 Wood plug	6	L	 Anti-collision gasket	4
E	 Plastic anchor(Ø10mm)	2	M	 Adjustable feet	4
F	 Screws for fix on the wall	2	N	 Bracket (14x14x28mm)	1
G	 Bracket (53x70x44mm)	2	O	 Screwdriver	1
H	 Bracket (19x19x35mm)	2	P	 Movable laminate support	4

Recommended tools



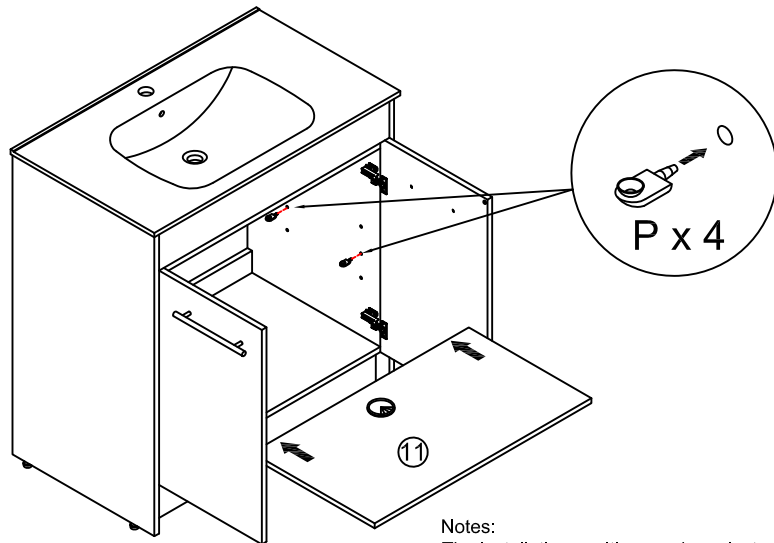
Dimensions



CARE CLEANING AND MAINTENANCE

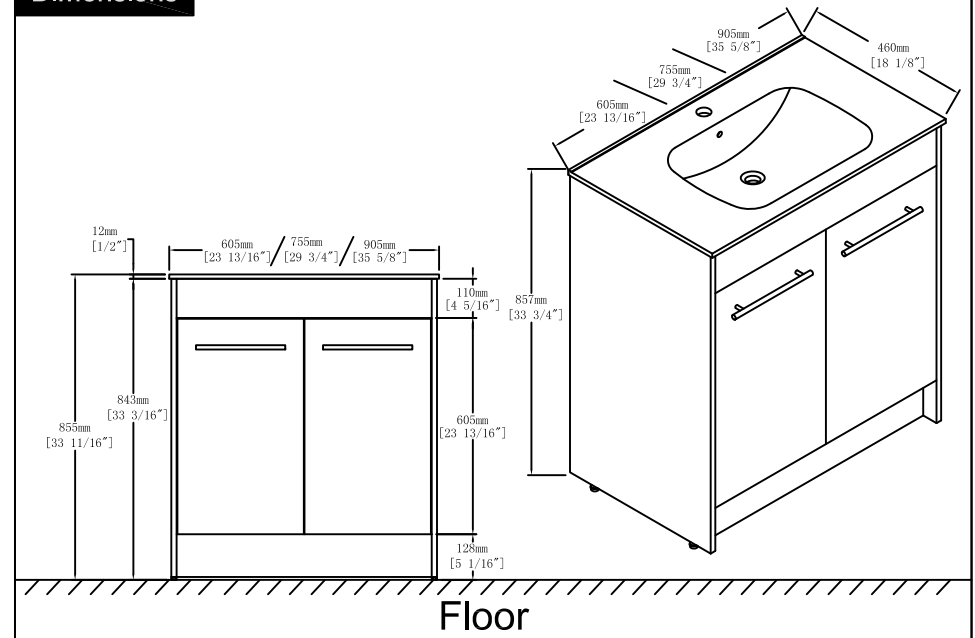
1. Dust regularly with a soft , dry cloth.
2. Avoid the use of all chemicals household cleaners, abrasives, or cleaners that contain lemon, vinegar, or other acids that may damage the finish.
3. Excessive exposure to sunlight and extreme changes in temperature and moisture can damage wood furniture.
4. The sink top is resilient, but care needs to be taken to preserve its appearance.
5. Do not place hot appliances, such as curling irons and hot hair dryers directly on the countertop. Wipe spills immediately.

Step 14

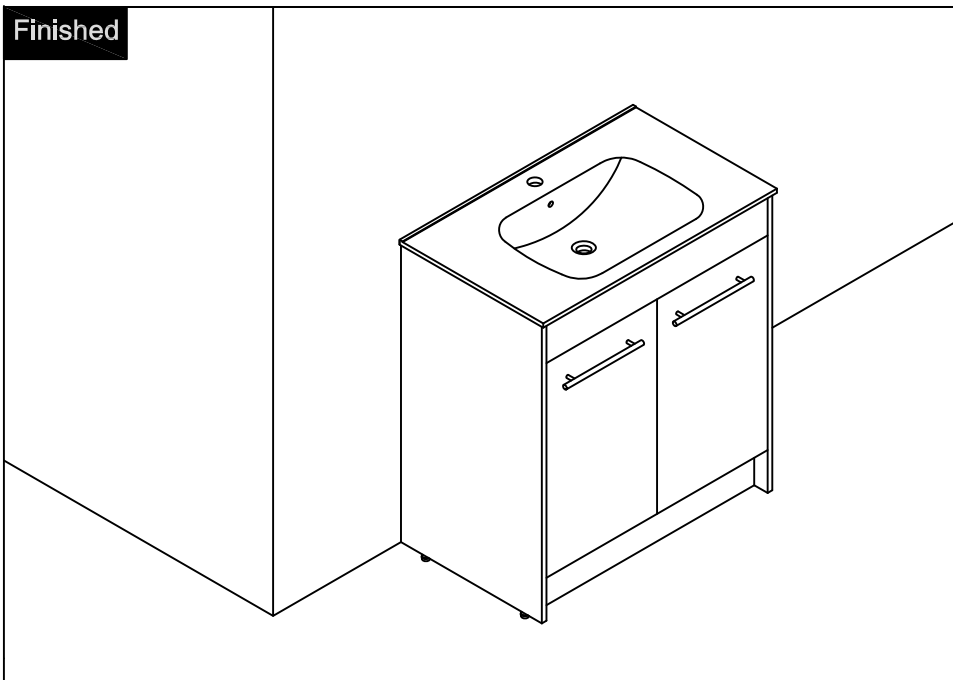


Notes:
The installation position can be selected according to the required height.

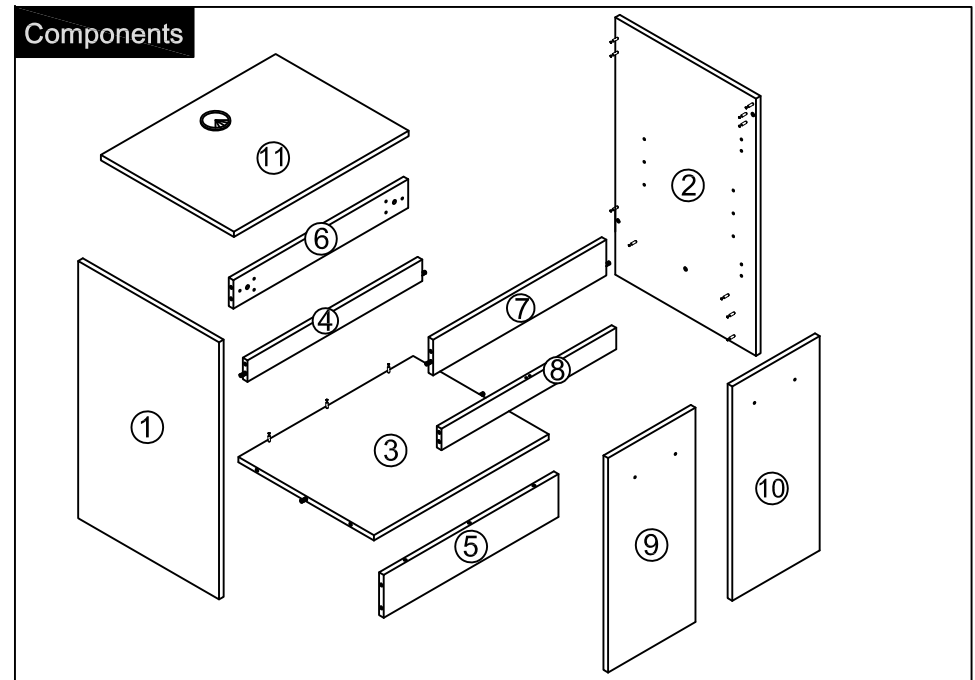
Dimensions



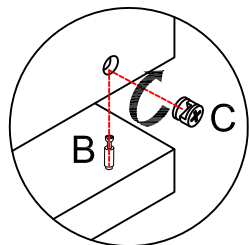
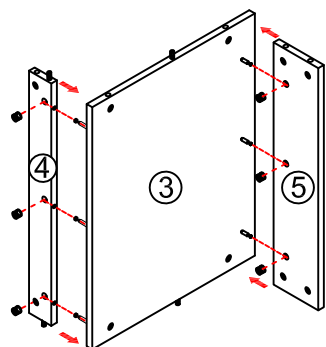
Finished



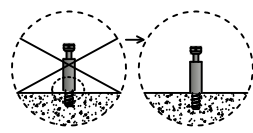
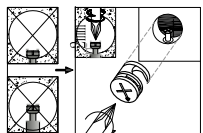
Components



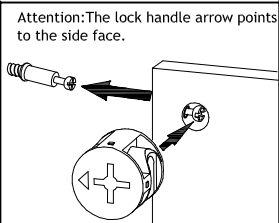
Step 1



- x6
- B**
- x6
- C**
- x1
- O**

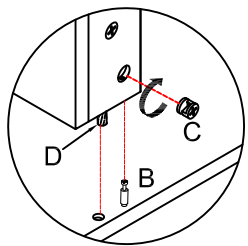
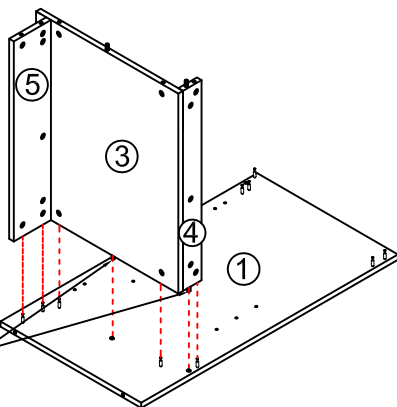


Notes: Screw installation depth as shown



Attention: The lock handle arrow points to the side face.

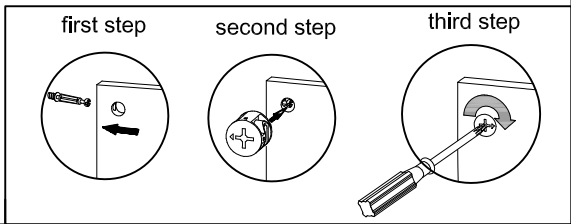
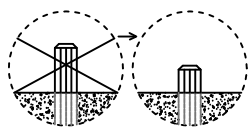
Step 2



- x5
- B**
- x5
- C**
- x2
- D**
- x1
- O**



Note: The D parts are used for these two holes

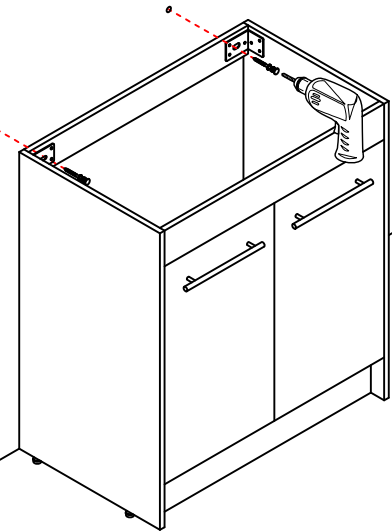
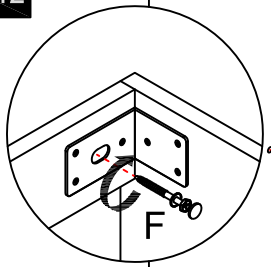


first step

second step

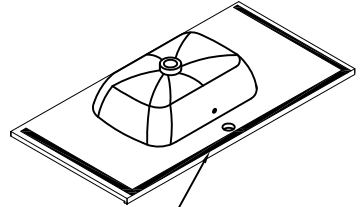
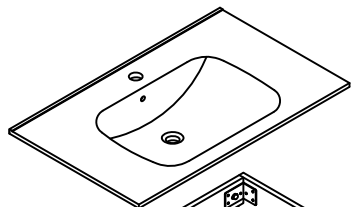
third step

Step 12

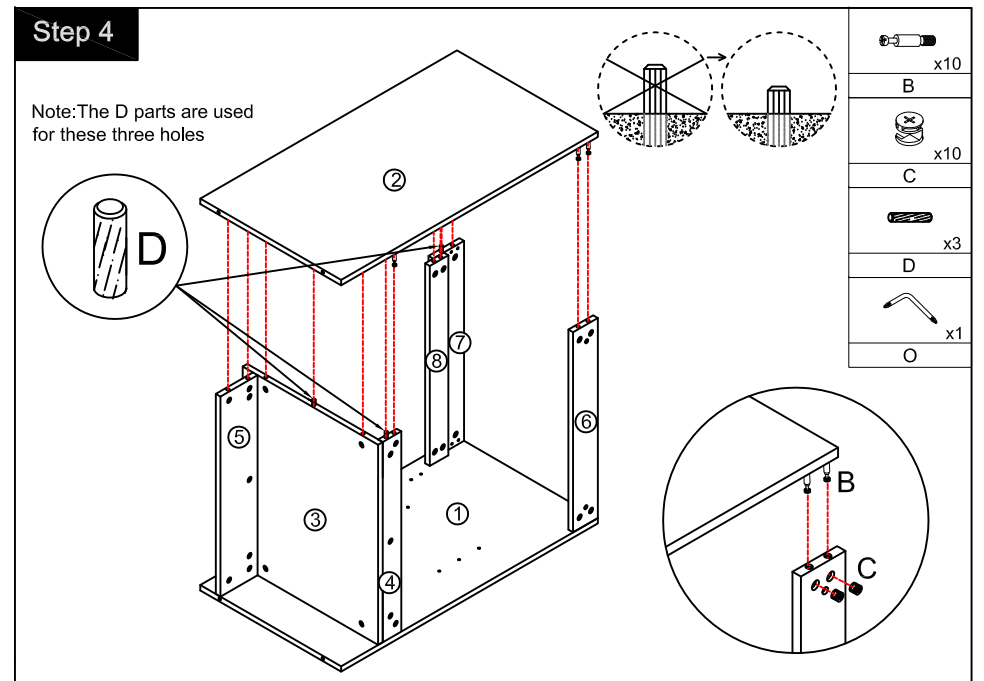
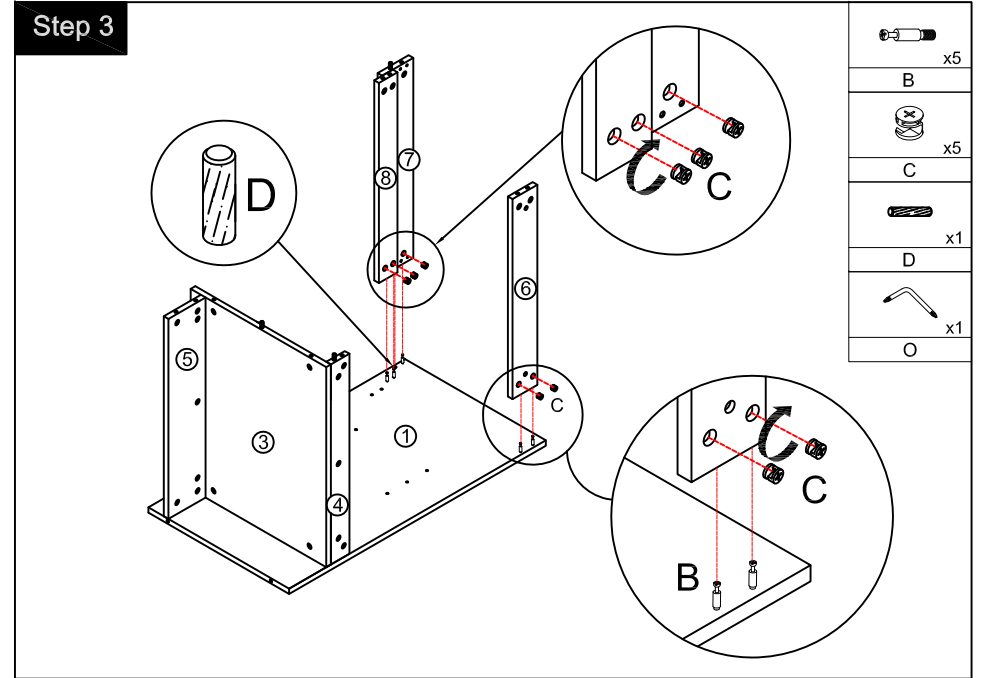
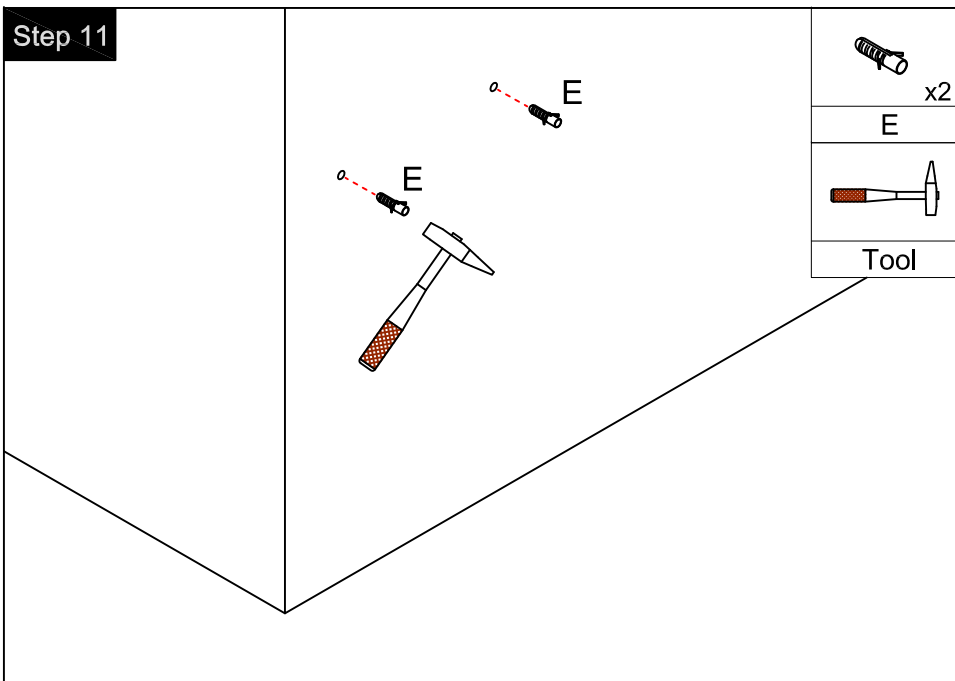
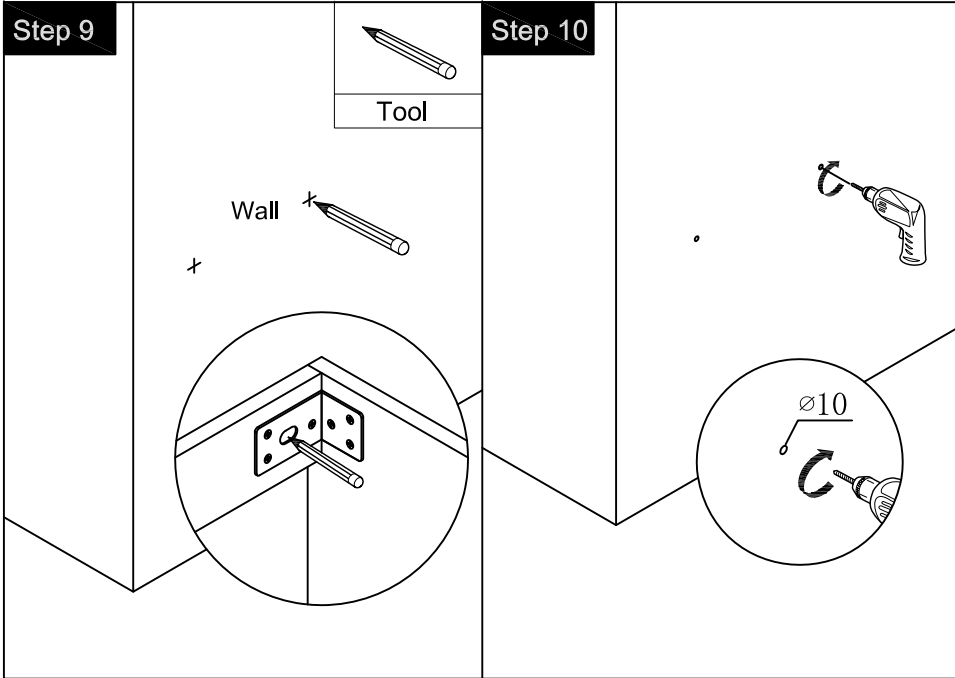


- x2
- F**
- Tool

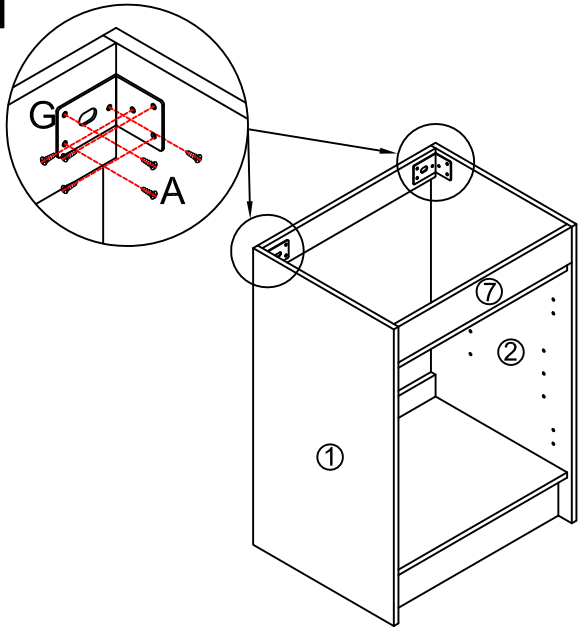
Step 13






Remove the protective surface of 3M tape from the basin bottom and attach to the cabinet.

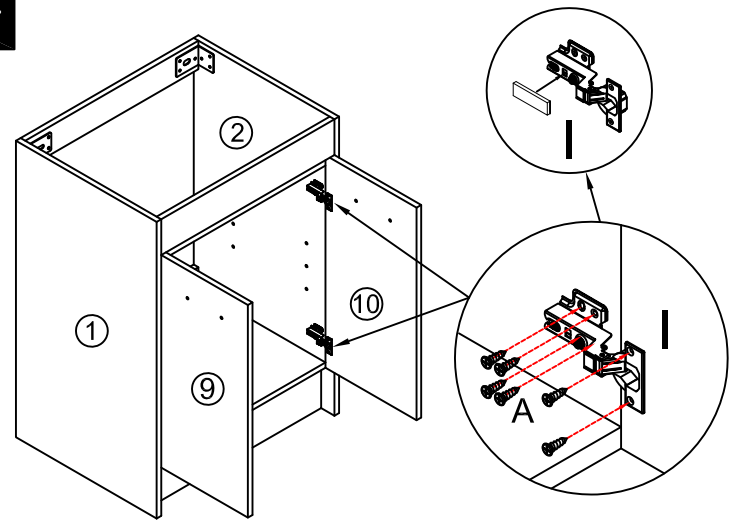





Step 5



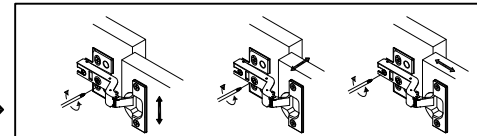
-  x2
- G**
(∅4 x 14mm)
 x12
- A**
-  Tool

Step 7

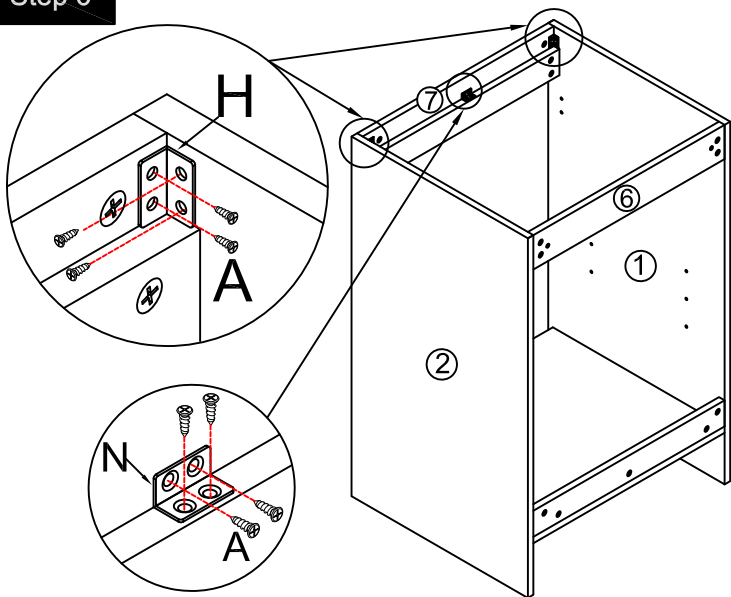






-  x4
- I**
(∅4 x 14mm)
 x24
- A**
-  Tool

You can adjust the doors by tightening or loosening the screws on the hinge. →

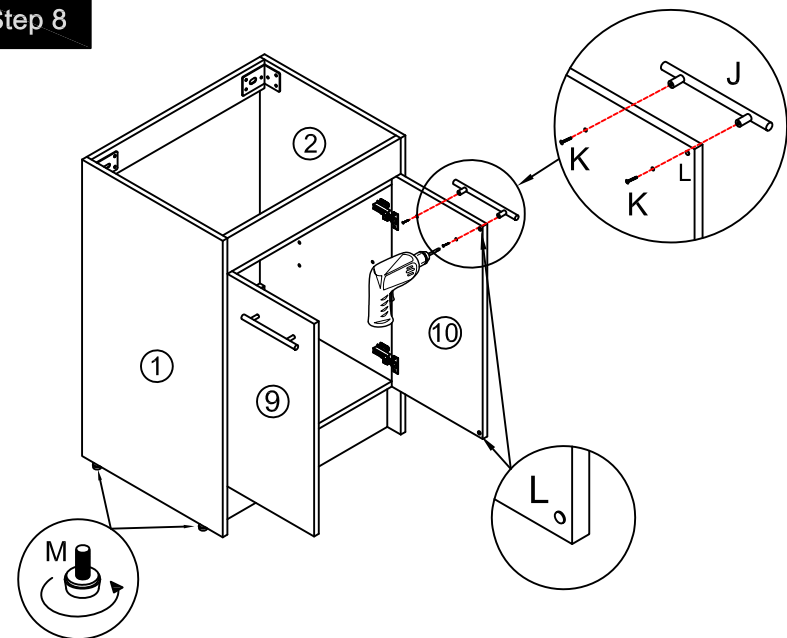


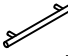




Step 6



-  x2
- H**
-  x1
- N**
(∅4 x 14mm)
 x12
- A**
-  Tool

Step 8



-  x2
- J**
-  x4
- K**
-  x4
- L**
-  x4
- M**
-  Tool