


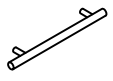






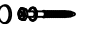


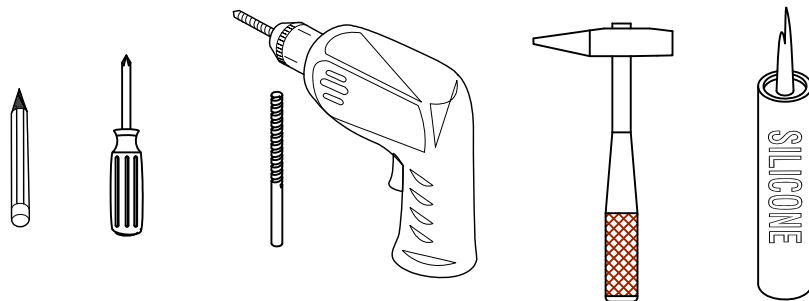


Item NO.:BV C04724 / C04730 / C04736

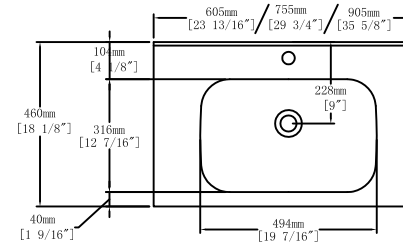
Hardware

NO.	Draw	QTY	NO.	Draw	QTY
A	 Screws Ø4x14mm	44	I	 Hinges	4
B	 Two-in-one connector	17	J	 Handles	2
C	 Two-in-one connector	17	K	 Screws M4x20mm	4
D	 Wood plug	4	L	 Anti-collision gasket	4
E	 Plastic anchor(Ø10mm)	4	M	 Screwdriver	1
F	 Screws for fix on the wall	4			
G	 Bracket (53x70x44mm)	2			
H	 Bracket (19x19x35mm)	2			

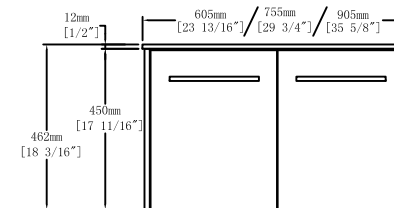
Recommended tools



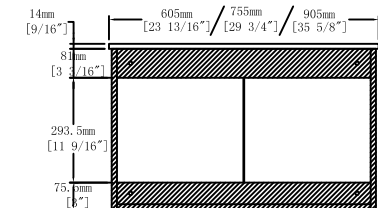
Dimensions



Top View



Front View

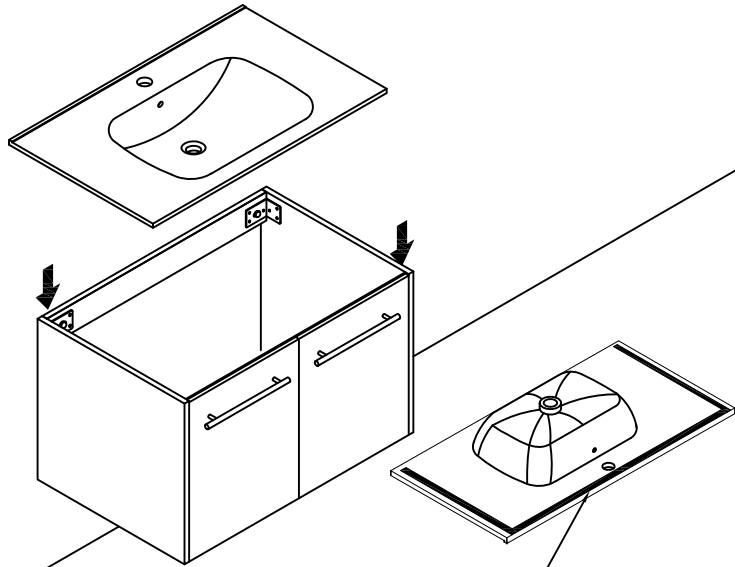


Back View

CARE CLEANING AND MAINTENANCE

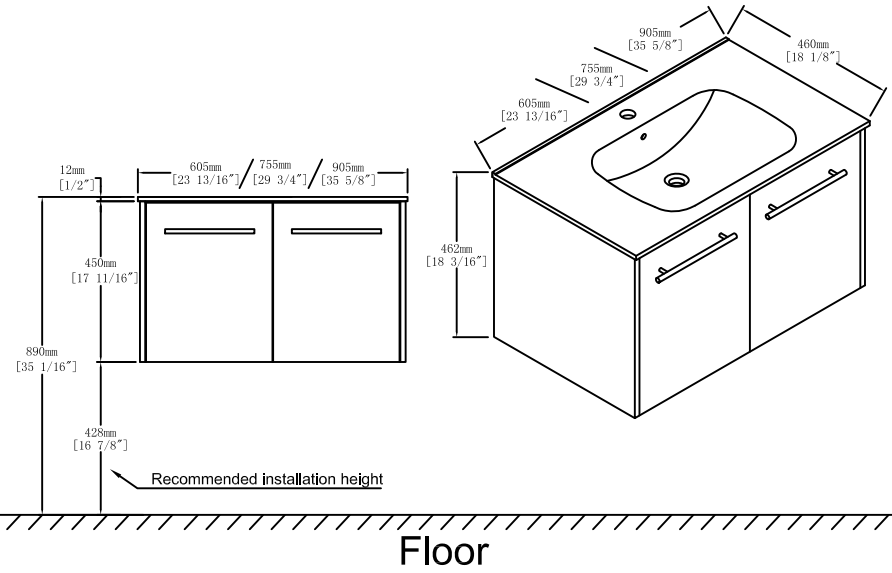
1. Dust regularly with a soft , dry cloth.
2. Avoid the use of all chemicals household cleaners, abrasives, or cleaners that contain lemon, vinegar, or other acids that may damage the finish.
3. Excessive exposure to sunlight and extreme changes in temperature and moisture can damage wood furniture.
4. The sink top is resilient, but care needs to be taken to preserve its appearance.
5. Do not place hot appliances, such as curling irons and hot hair dryers directly on the countertop. Wipe spills immediately.

Step 13

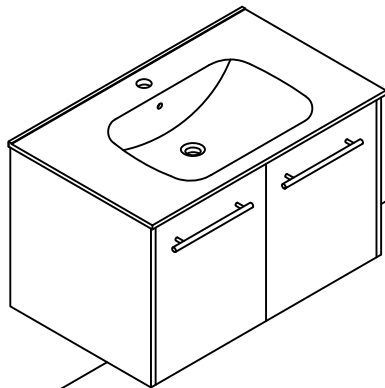


Remove the protective surface of 3M tape from the basin bottom and attach to the cabinet.

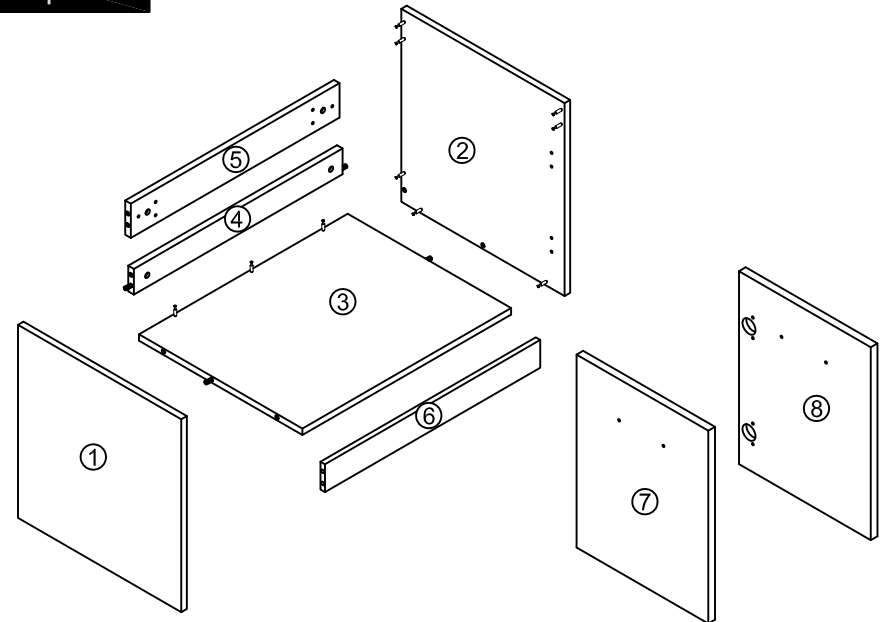
Dimensions



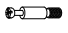

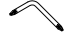
Finished

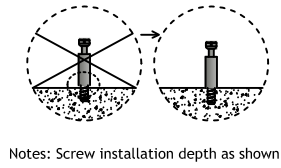
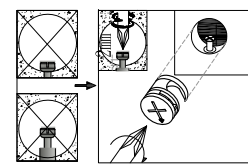
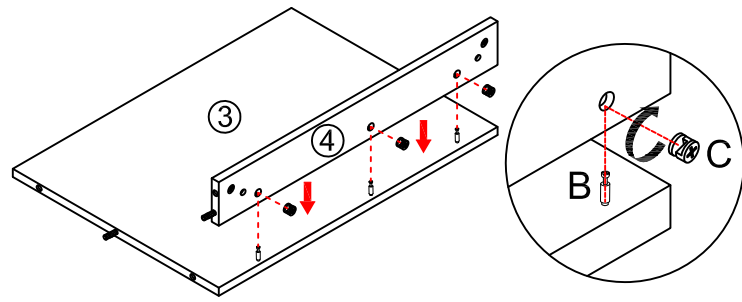


Components

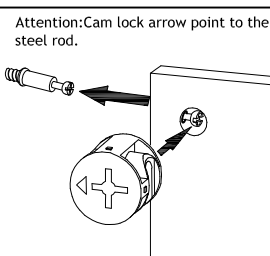


Step 1

-  x3
-  x3
-  x1

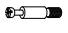


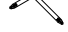


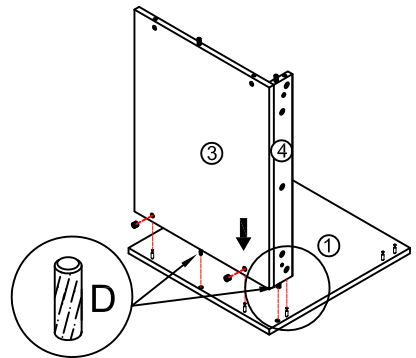
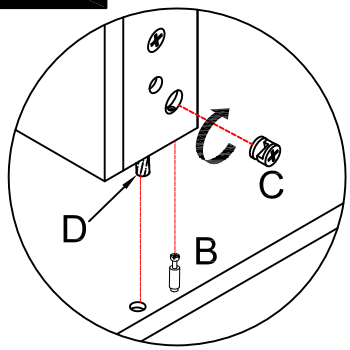
Notes: Screw installation depth as shown



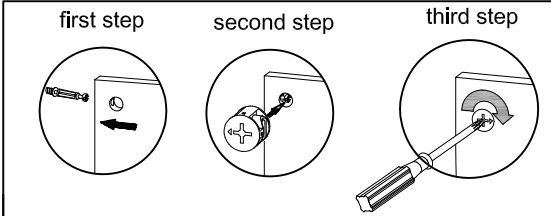
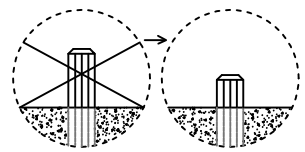
Attention: Cam lock arrow point to the steel rod.

Step 2

-  x3
-  x3
-  x2
-  x1



Note: The D parts are used for these two holes



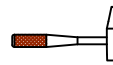


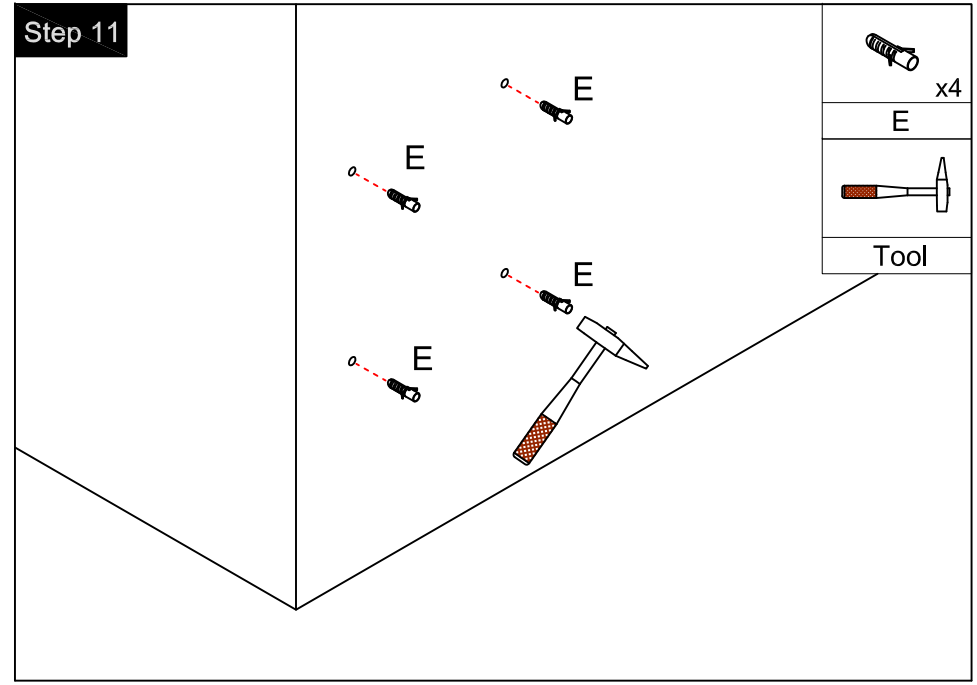
first step

second step

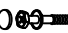

third step

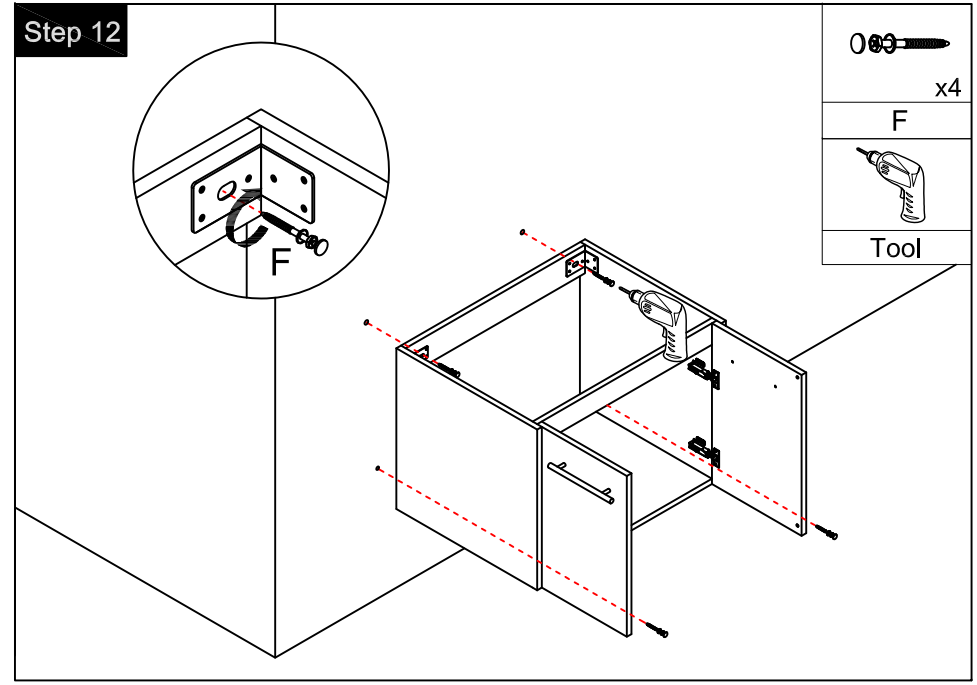
Step 11

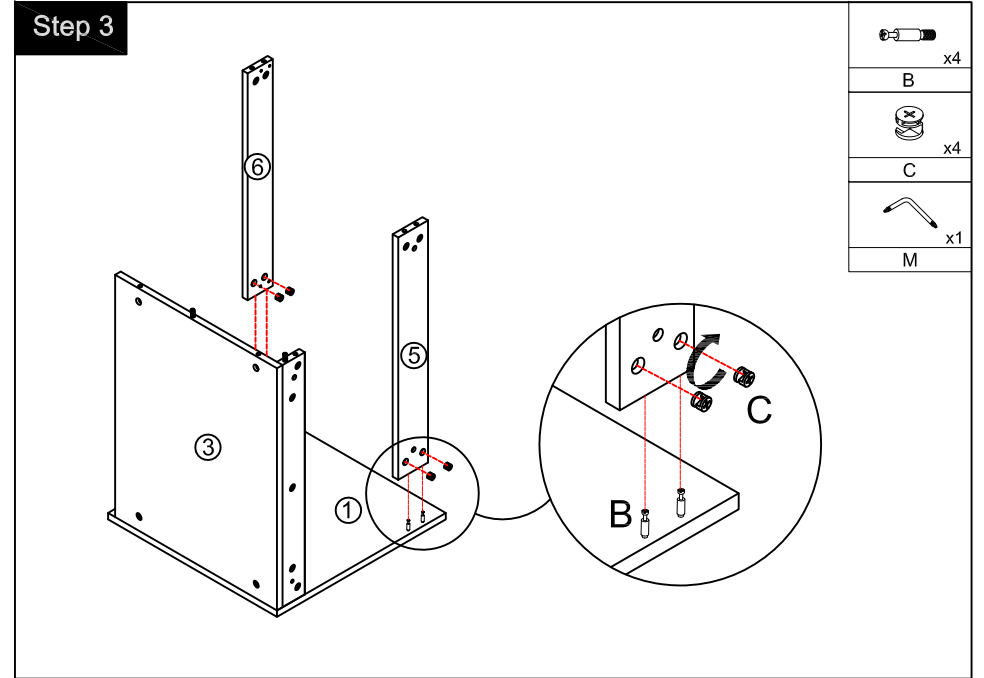
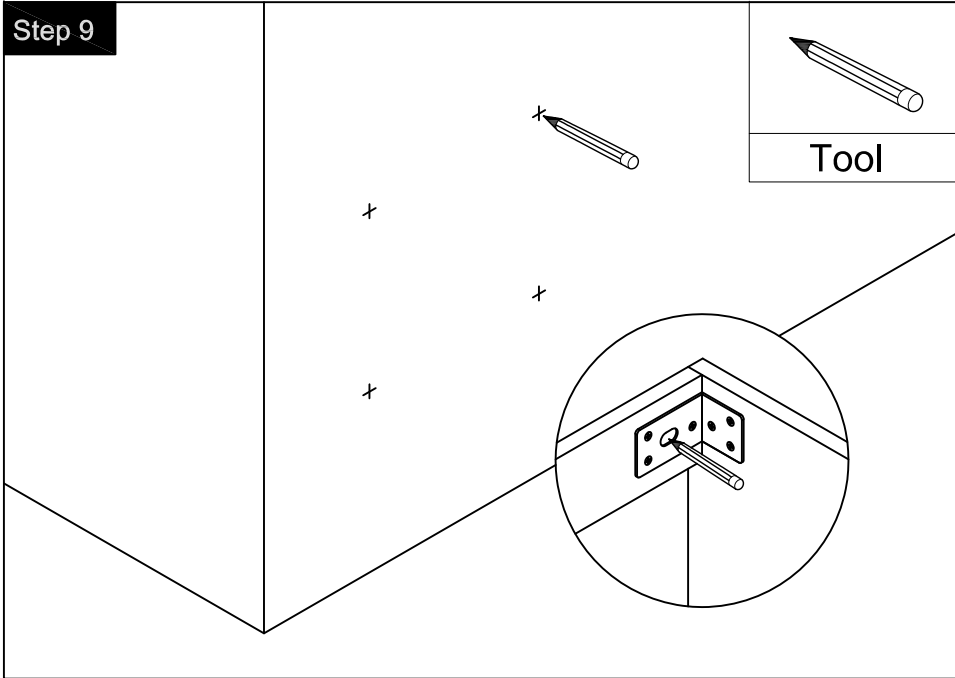
-  x4
- 
- 

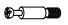

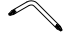


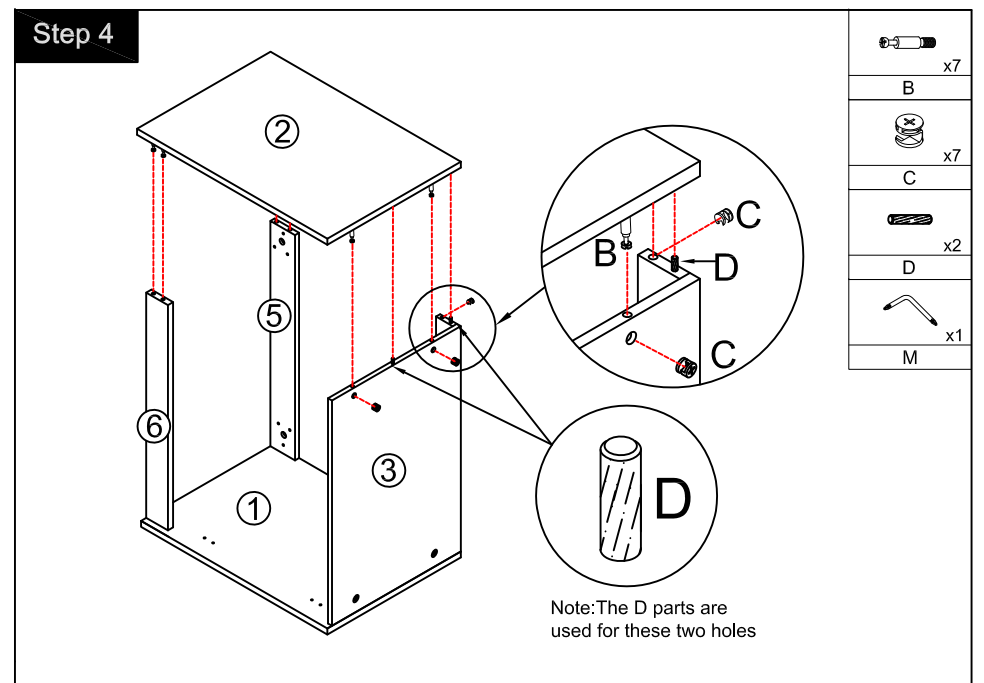
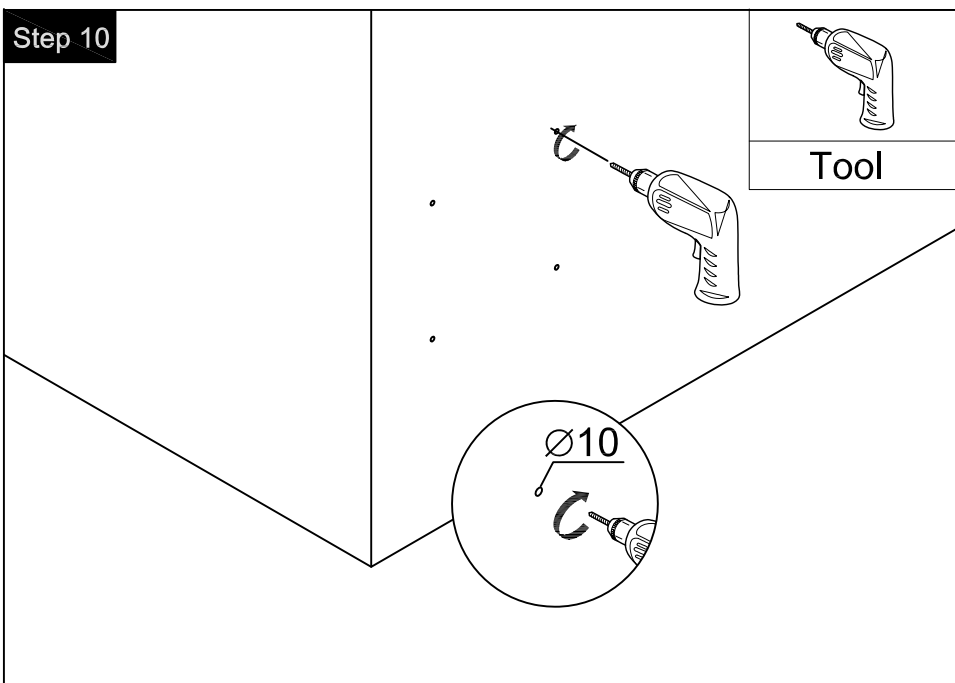
Step 12

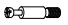



-  x4
- 



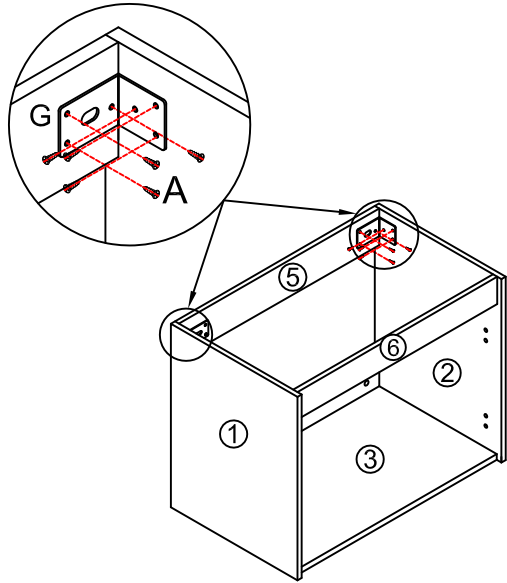





-  x4
- B**
-  x4
- C**
-  x1
- M**



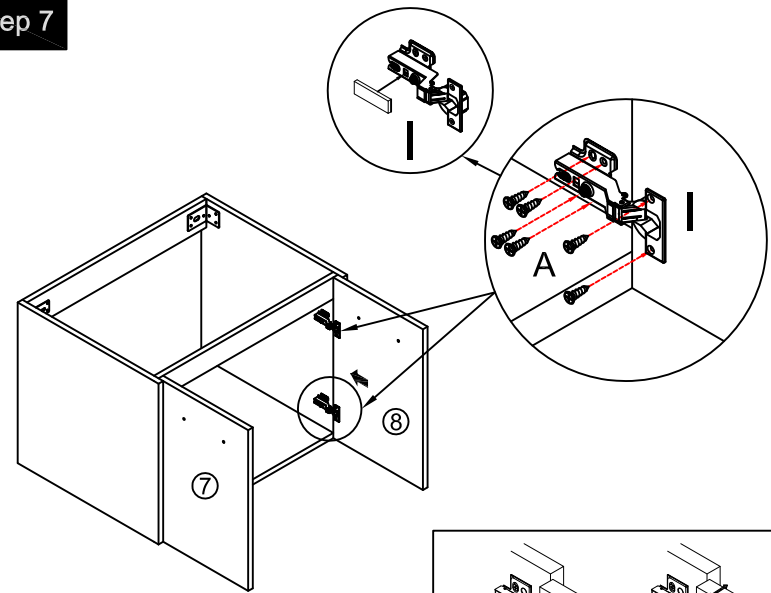
-  x7
- B**
-  x7
- C**
-  x2
- D**
-  x1
- M**




Step 5



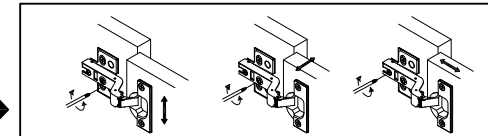
	x2
G	
($\varnothing 4 \times 14\text{mm}$)	
	x12
A	
	
Tool	

Step 7

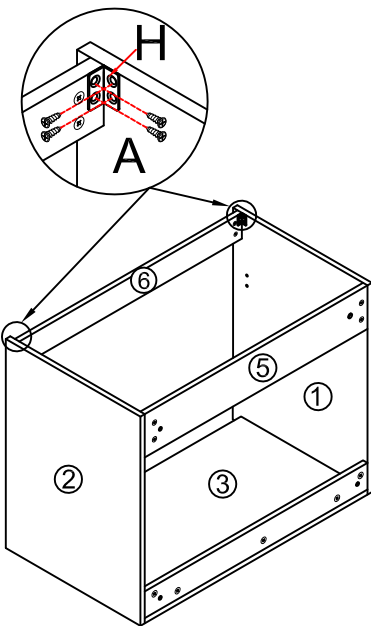





	x4
I	
($\varnothing 4 \times 14\text{mm}$)	
	x24
A	
	
Tool	

You can adjust the doors by tightening or loosening the screws on the hinge. →

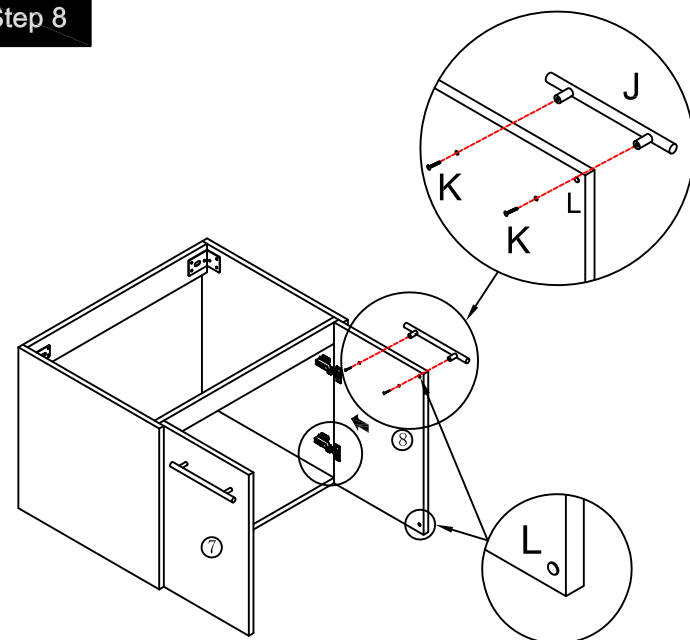




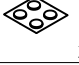

Step 6



	x2
H	
($\varnothing 4 \times 14\text{mm}$)	
	x8
A	
	
Tool	

Step 8



	x2
J	
(M4 x 20mm)	
	x4
K	
	x4
L	
	
M	