
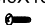





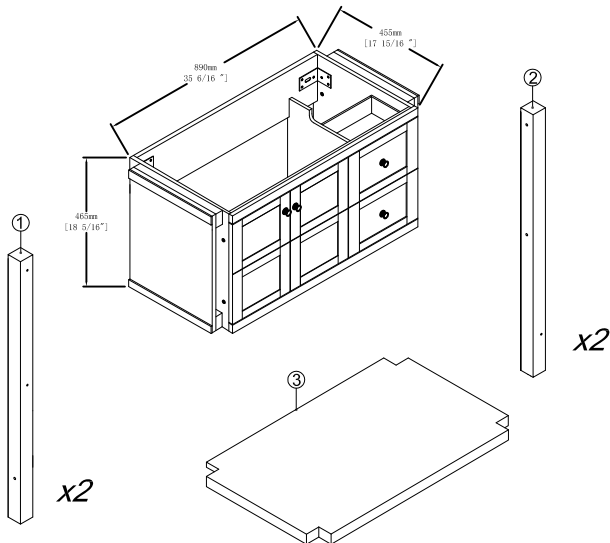
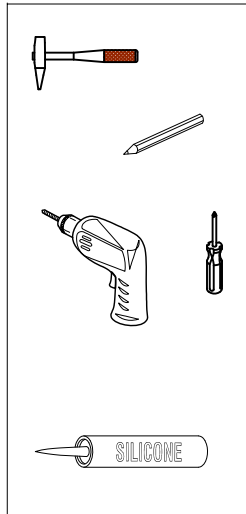


Item NO.:BV B01236

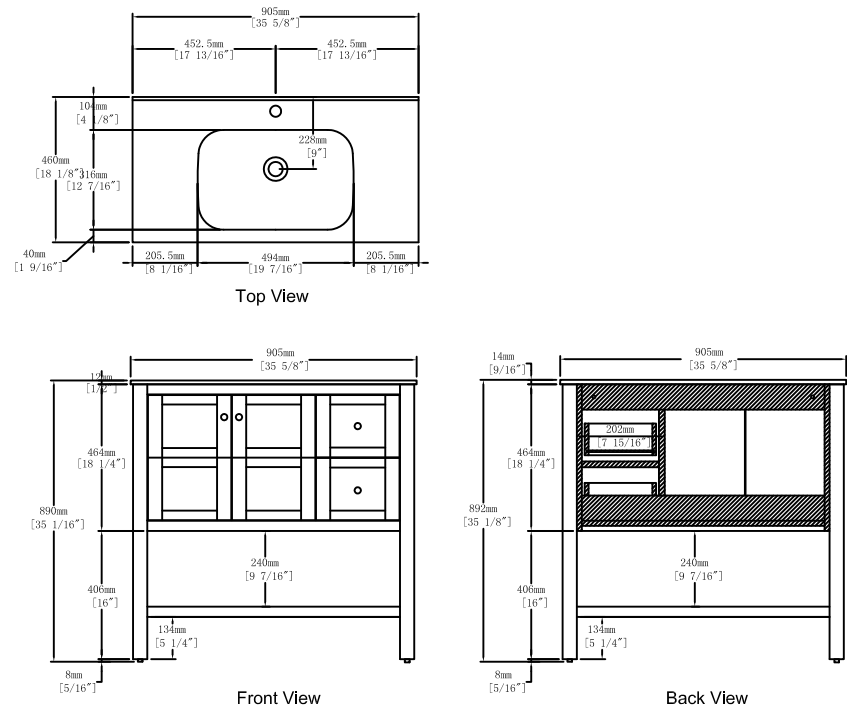
Hardware

NO.	Description	QTY
A	M6X30 	Screws M6x30mm 8
B	M6X15 	Screws M6x15mm 8
C		Adjustable feet M6x20mm 4
D		Shelf Support (32*32*25mm) 4
E		Screws for fix on the wall M5.5x60 2
F		Sticker 8
G		Expansion Bolts 2

Recommended Tools

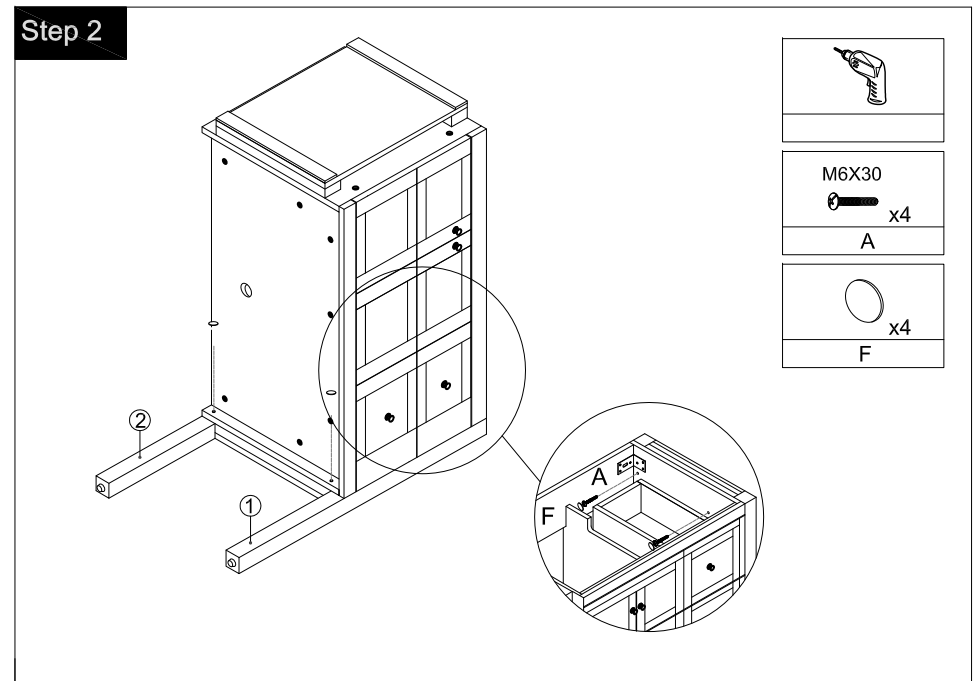
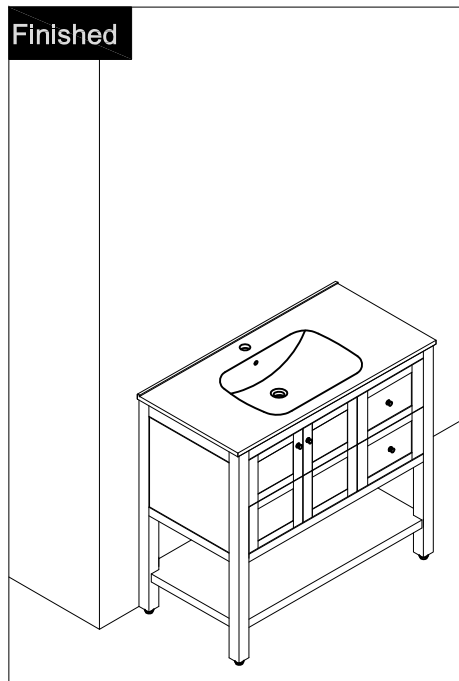
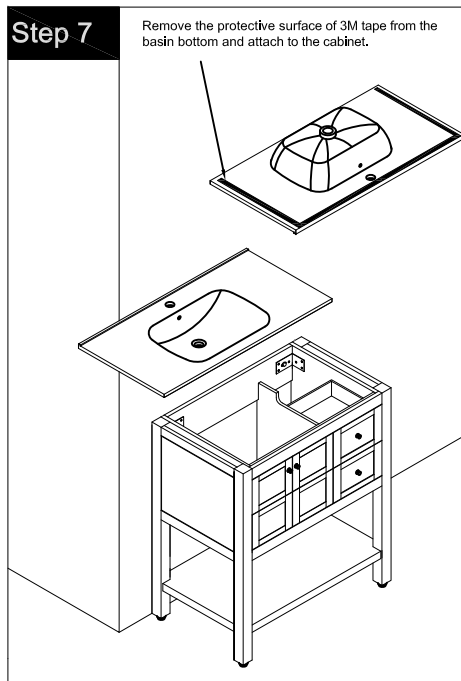
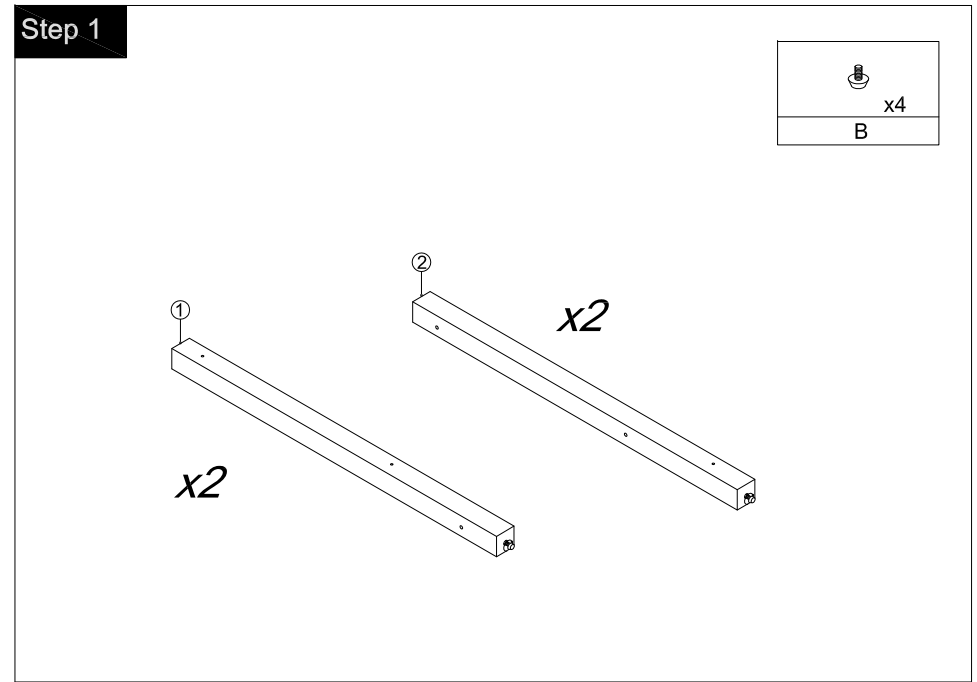
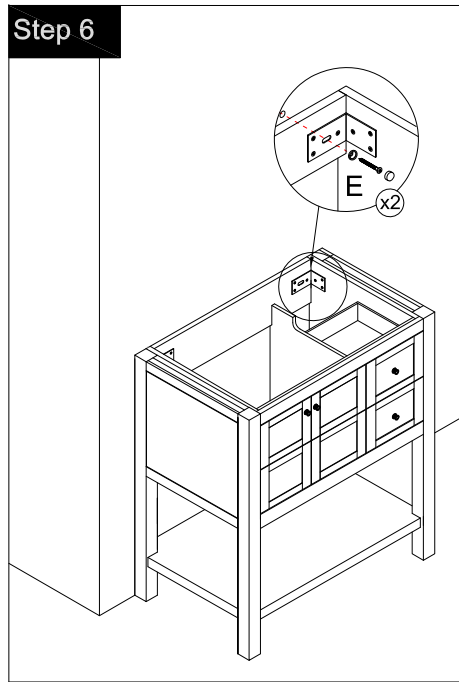
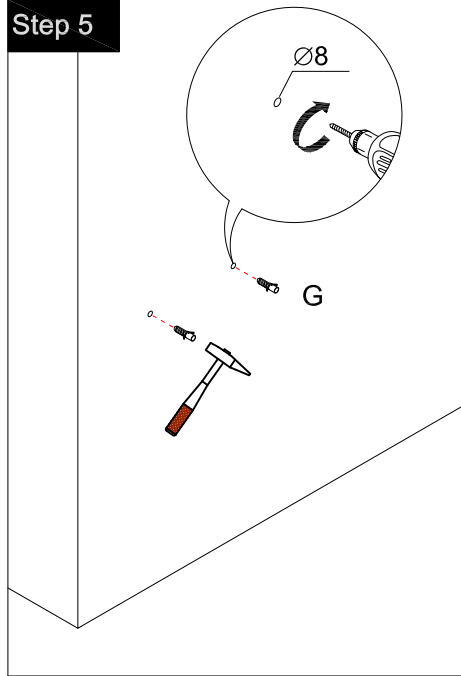


Dimensions

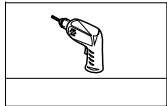


CARE CLEANING AND MAINTENANCE

1. Dust regularly with a soft , dry cloth.
2. Avoid the use of all chemicals household cleaners, abrasives, or cleaners that contain lemon, vinegar, or other acids that may damage the finish.
3. Excessive exposure to sunlight and extreme changes in temperature and moisture can damage wood furniture.
4. The sink top is resilient, but care needs to be taken to preserve its appearance.
5. Do not place hot appliances, such as curling irons and hot hair dryers directly on the countertop. Wipe spills immediately.

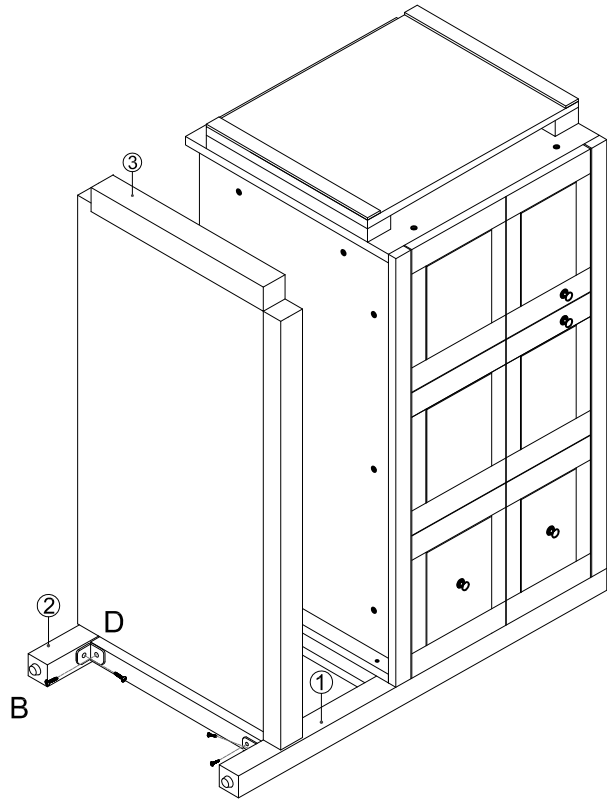


Step 3

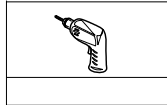


M6X15
x4
B

x2
D



Step 4



M6X30
x4
A

x4
F

M6X15
x4
B

x2
D

