

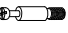



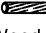



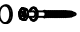

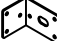


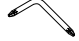

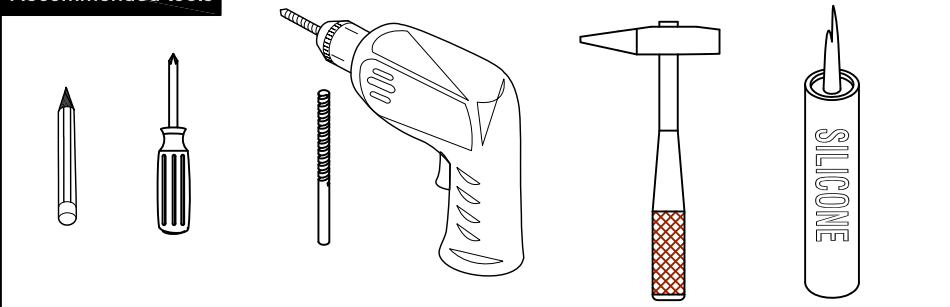


Item NO.:BV B08328 / BV B08332

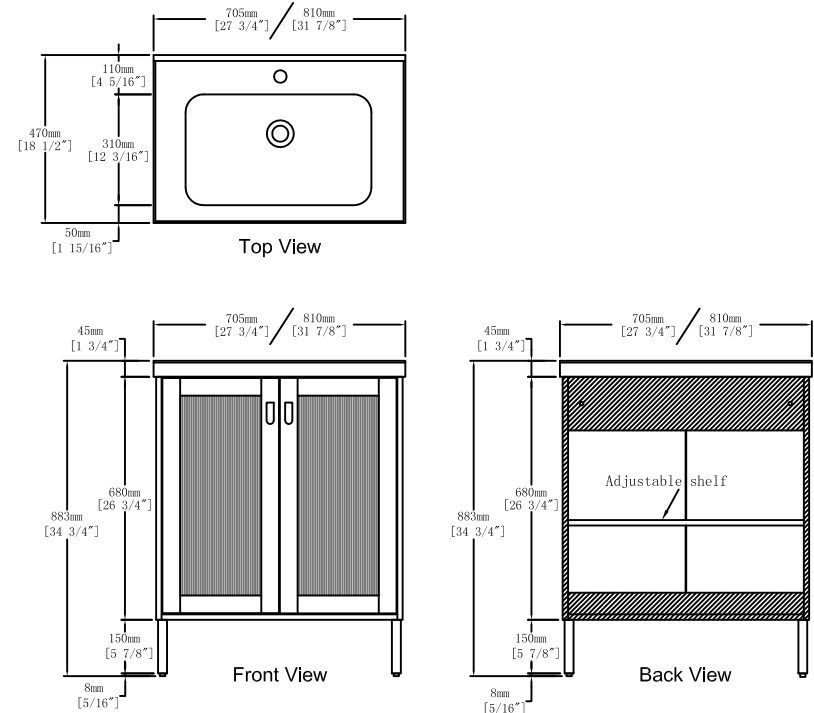
Hardware

NO.	Draw	QTY	NO.	Draw	QTY
A	 Screws Ø4x14mm	44	J	 Hinges (Internal hiding)	4
B	 Two-in-one connector	15	K	 Handle	2
C	 Two-in-one connector	15	L	 Screws (M4x22mm)	4
D	 Wood plug	4	M	 Feet	4
E	 Plastic anchor(Ø10mm)	2	N	 Screws M4x14mm	16
F	 Screws for fix on the wall	2	O	 Anti-collision gasket	2
G	 Bracket (53x70x44mm)	2	P	 Movable laminate support	4
H	 Bracket (19x19x35mm)	2	Q	 Screwdriver	1
I	 Door stopper	2			

Recommended tools



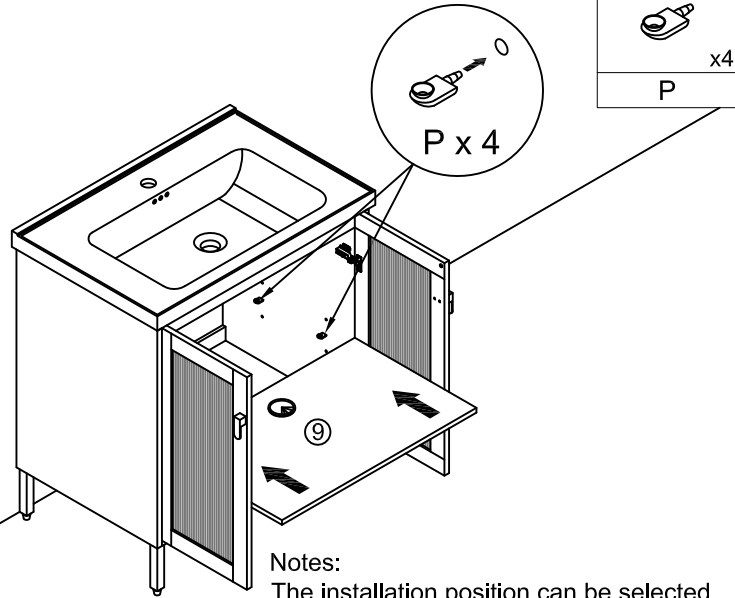
Dimensions



CARE CLEANING AND MAINTENANCE

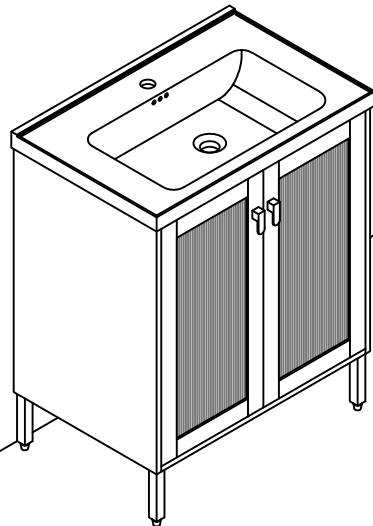
1. Dust regularly with a soft , dry cloth.
2. Avoid the use of all chemicals household cleaners, abrasives, or cleaners that contain lemon, vinegar, or other acids that may damage the finish.
3. Excessive exposure to sunlight and extreme changes in temperature and moisture can damage wood furniture.
4. The sink top is resilient, but care needs to be taken to preserve its appearance.
5. Do not place hot appliances, such as curling irons and hot hair dryers directly on the countertop. Wipe spills immediately.

Step 14

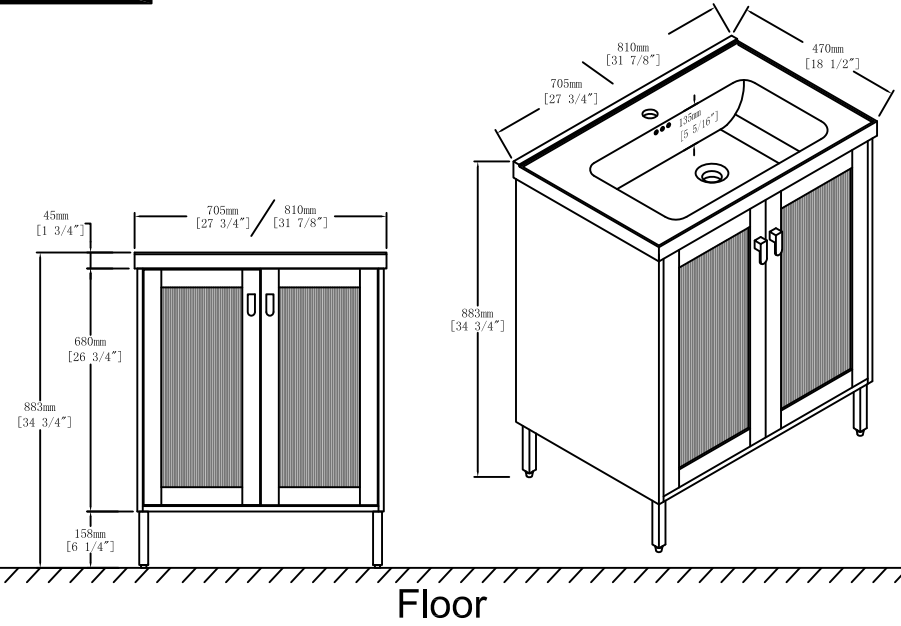


Notes:
The installation position can be selected according to the required height.

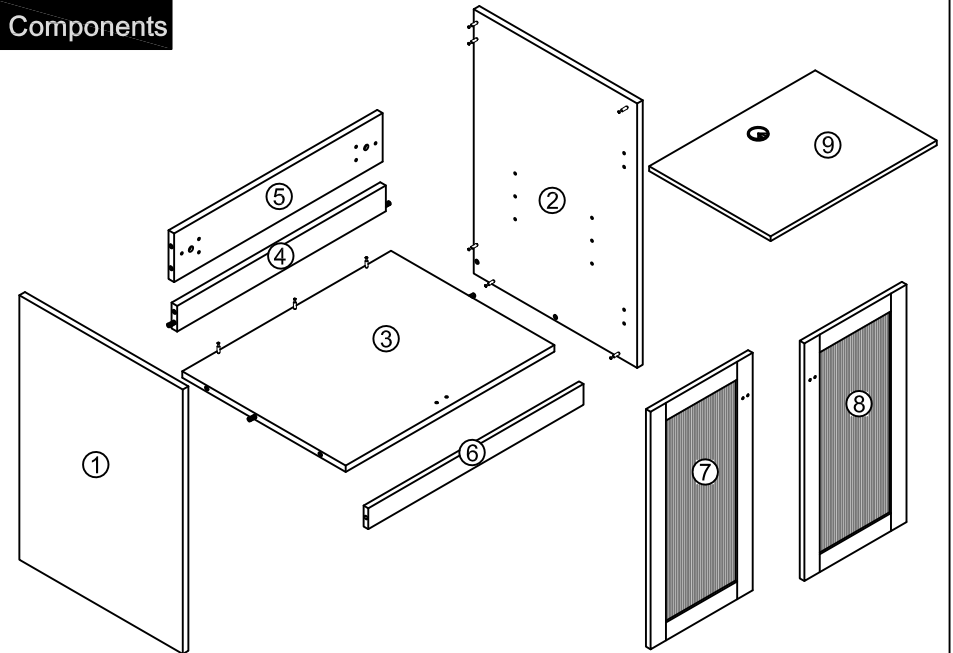
Finished



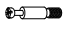

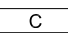
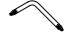
Dimensions

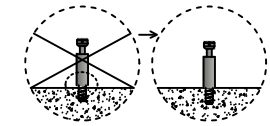
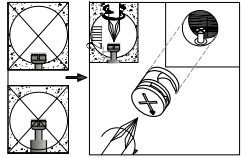
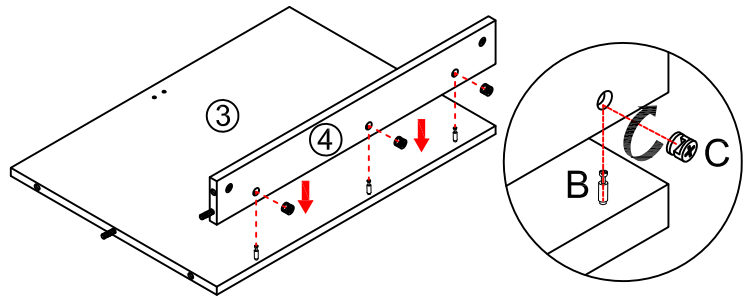


Components



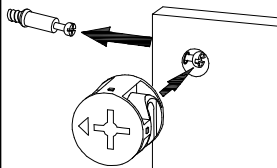
Step 1

-  x3
-  x3
-  x3
-  x1

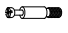

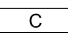



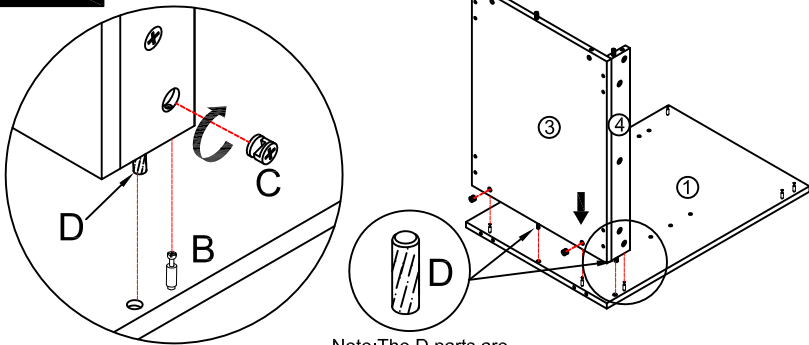
Notes: Screw installation depth as shown

Attention: Cam lock arrow point to the steel rod.

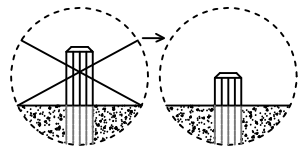


Step 2

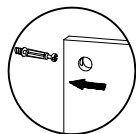
-  x3
-  x3
-  x2
-  x1



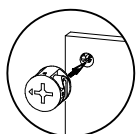
Note: The D parts are used for these two holes



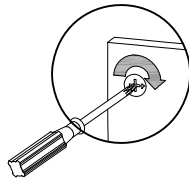
first step






second step

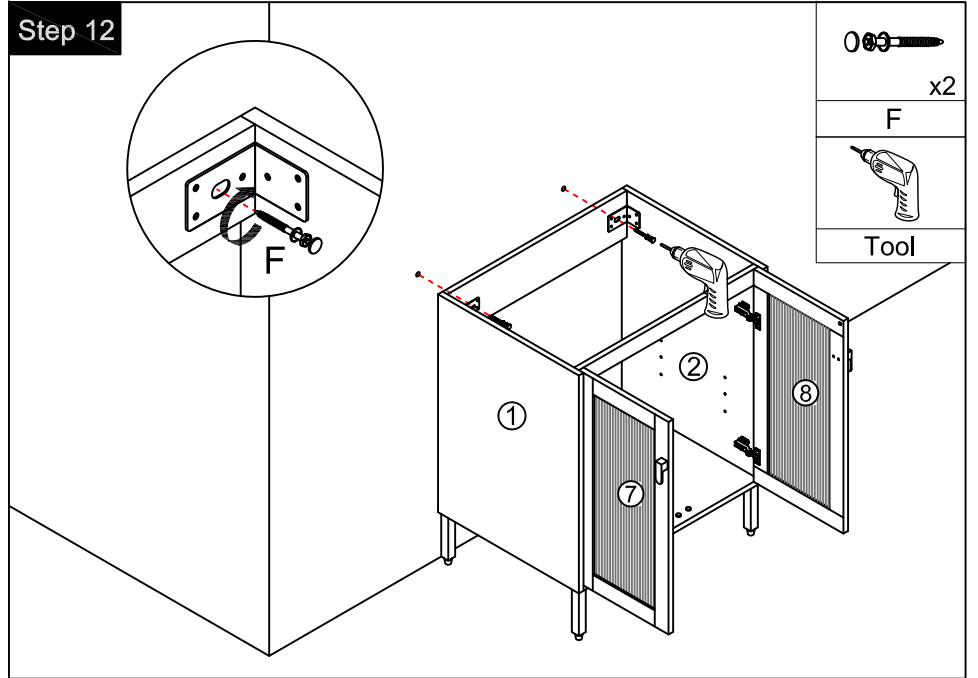


third step

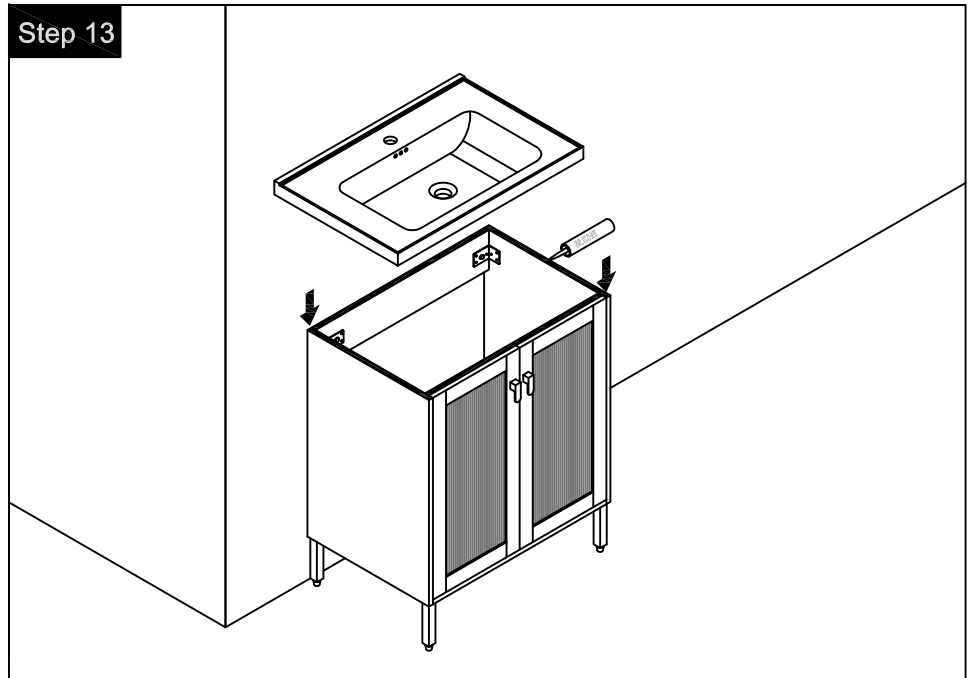


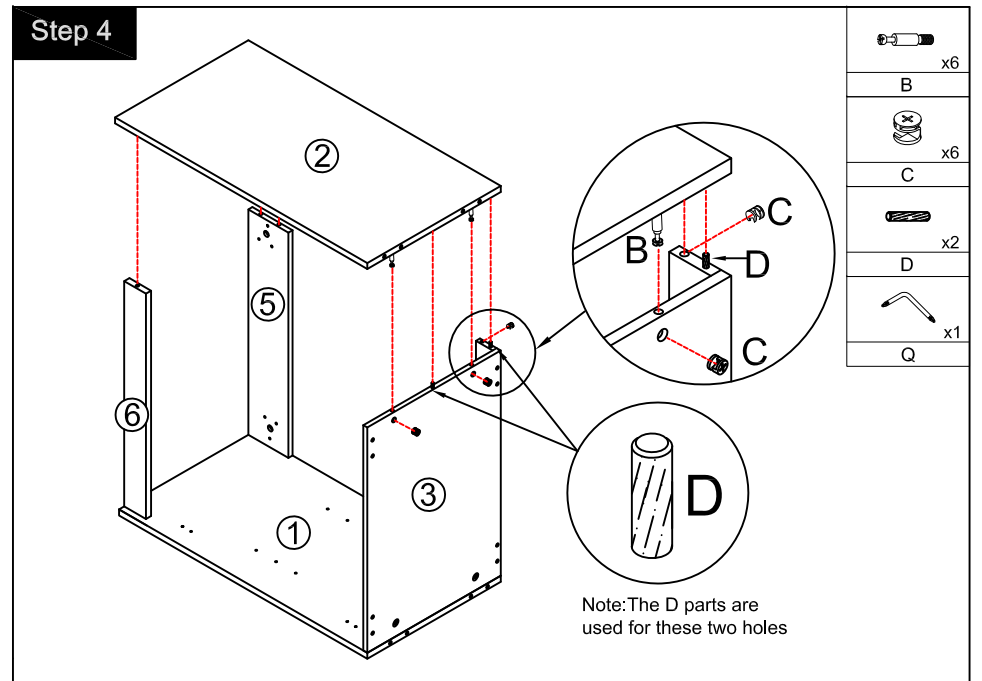
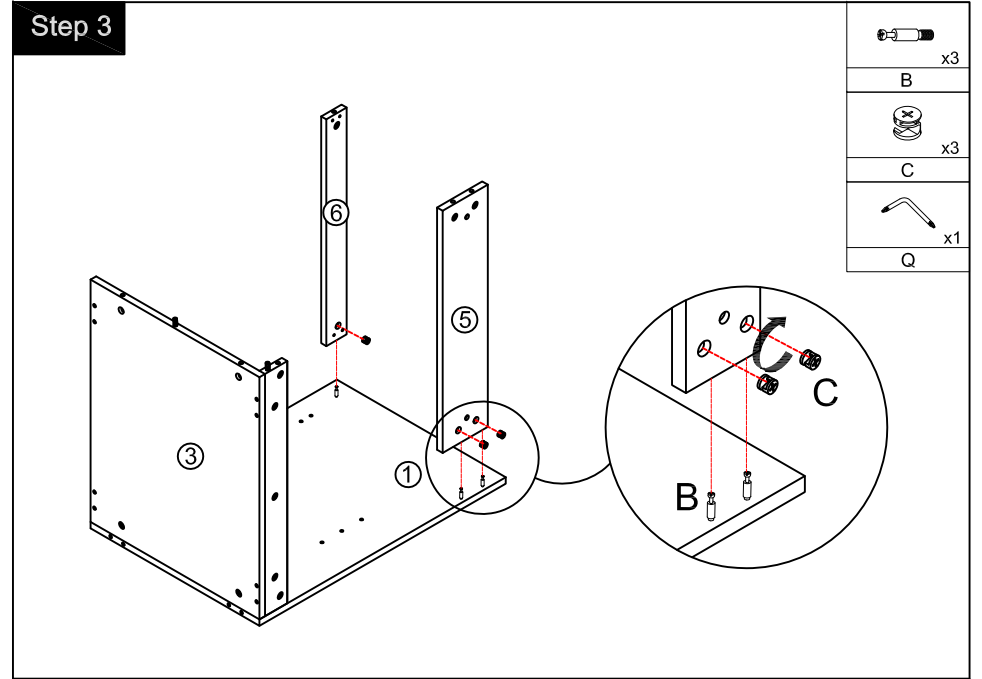
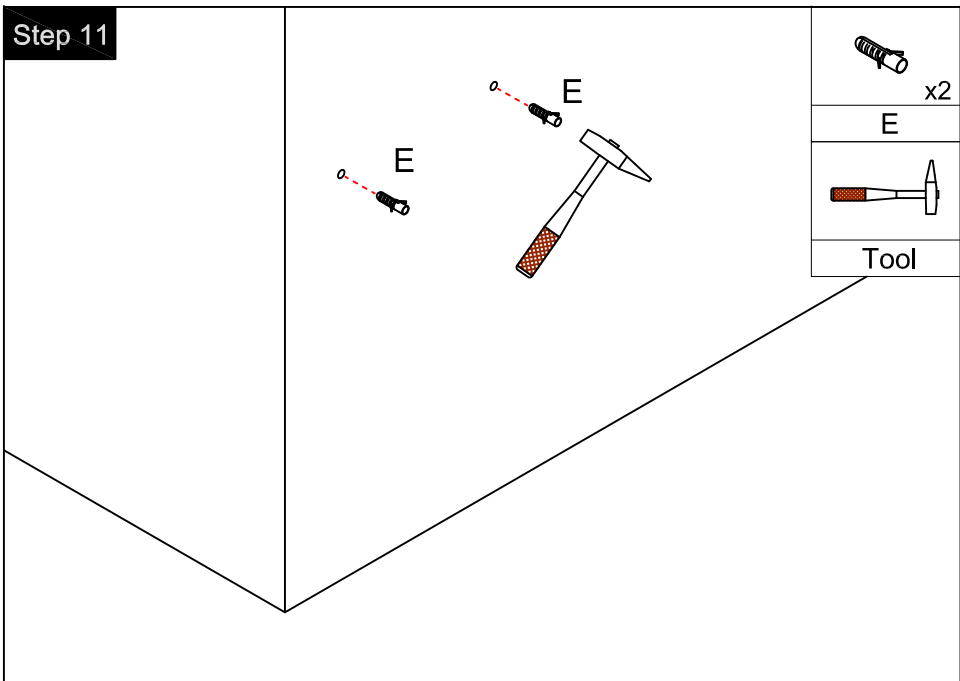
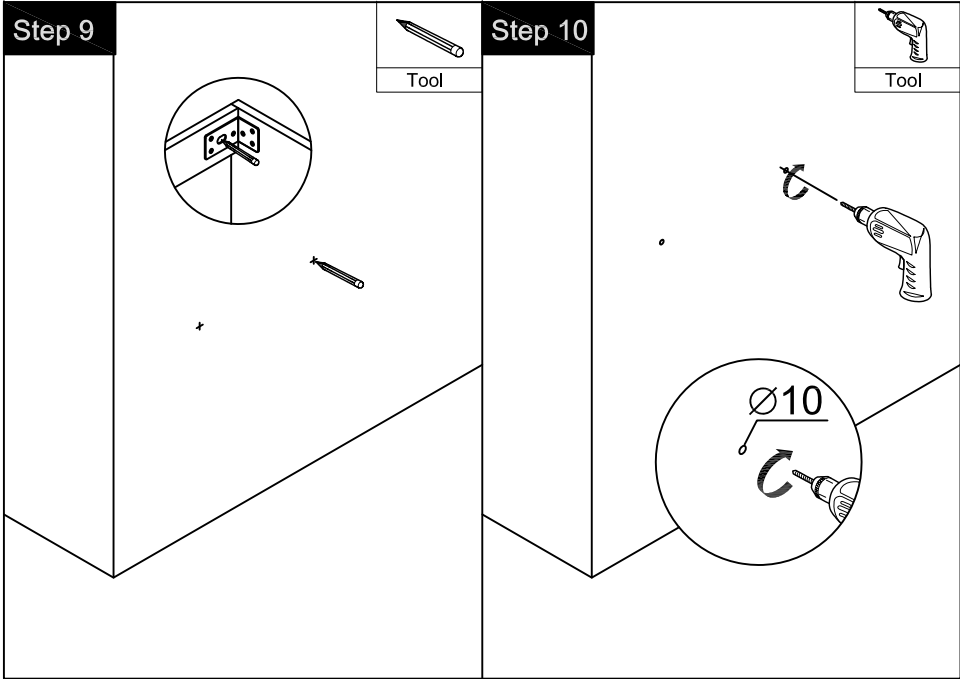
Step 12

-  x2
-  F
-  Tool

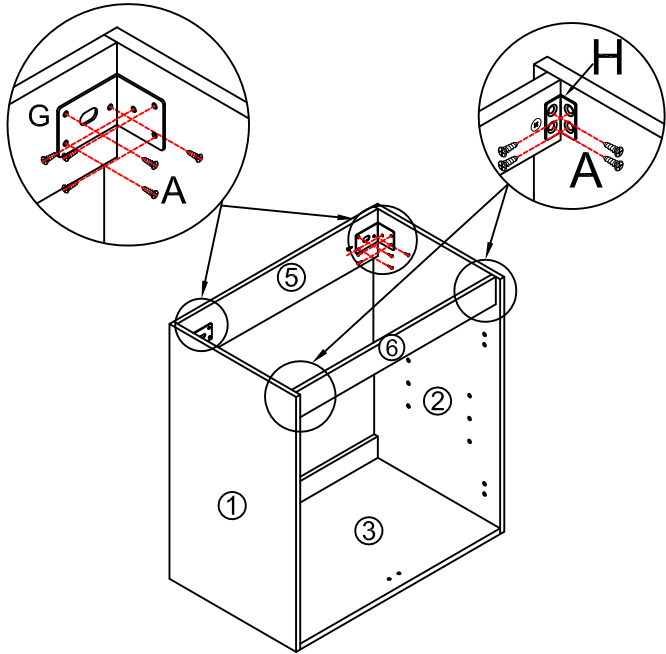






Step 13



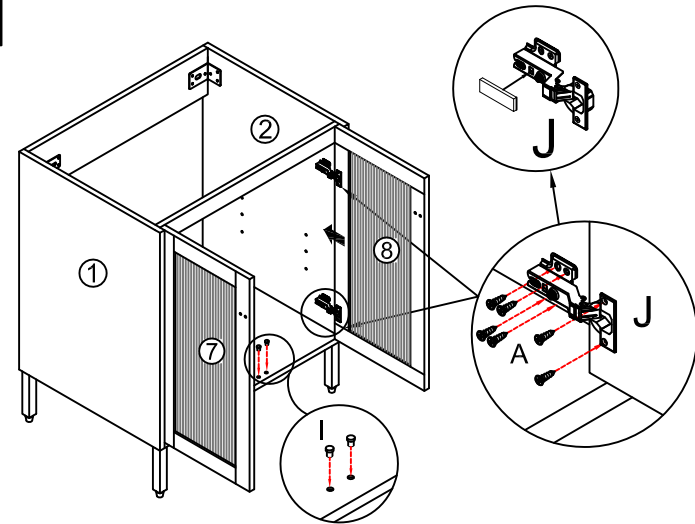






Step 5



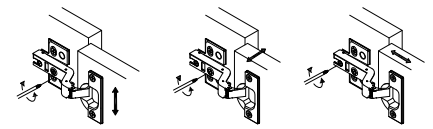
	x2
G	
	x2
H	
($\varnothing 4 \times 14\text{mm}$)	
	x20
A	
	
Tool	

Step 7

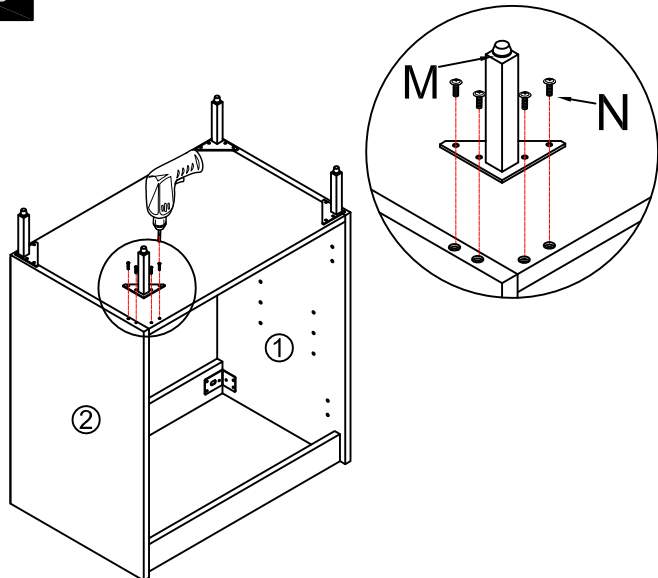





	x4
J	
($\varnothing 4 \times 14\text{mm}$)	
	x24
A	
	x2
I	
	
Tool	

You can adjust the doors by tightening or loosening the screws on the hinge. →

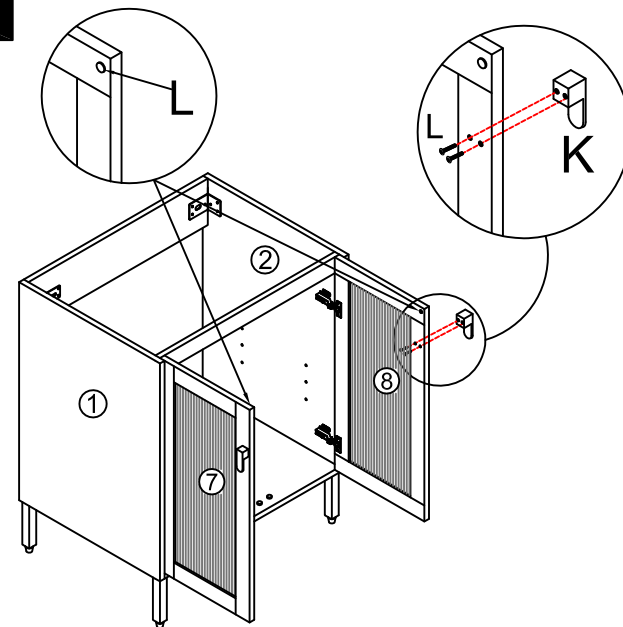






Step 6



	x4
M	
(M4 x 14mm)	
	x16
N	
	
Tool	

Step 8



	x2
K	
(M4 x 22mm)	
	x4
L	
	x2
O	
	
Q	