














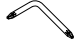
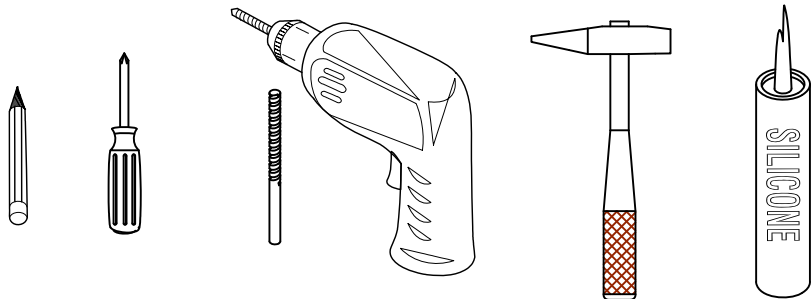


Item NO.:BV C07624 / C07628

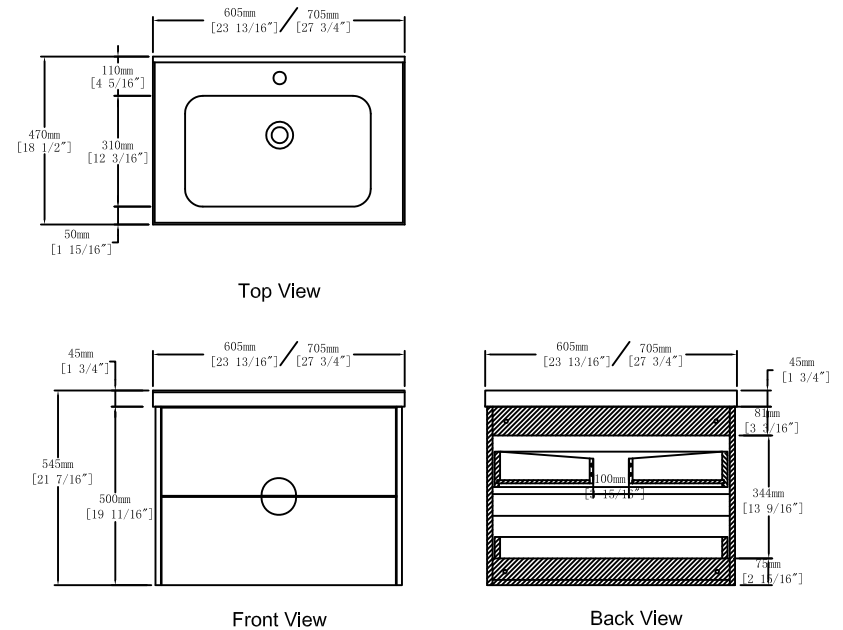
Hardware

NO.	Draw	QTY	NO.	Draw	QTY
A	 Screws Ø4x14mm	44	I	 I-L Track	2
B	 Two-in-one connector	41	J	 U-Shaped plastic	1
C	 Two-in-one connector	41	K	 Screws Ø4x20mm	8
D	 Wood plug	2	L	 Screws Ø4x10mm	7
E	 Plastic anchor(Ø10mm)	4	M	 Handle	2
F	 Screws for fix on the wall	4	N	 Handle screws (M4 x18mm)	4
G	 Bracket (53x70x44mm)	2	O	 Anti-collision gasket	8
H	 Bracket (19x19x35mm)	2	P	 Screwdriver	1

Recommended tools

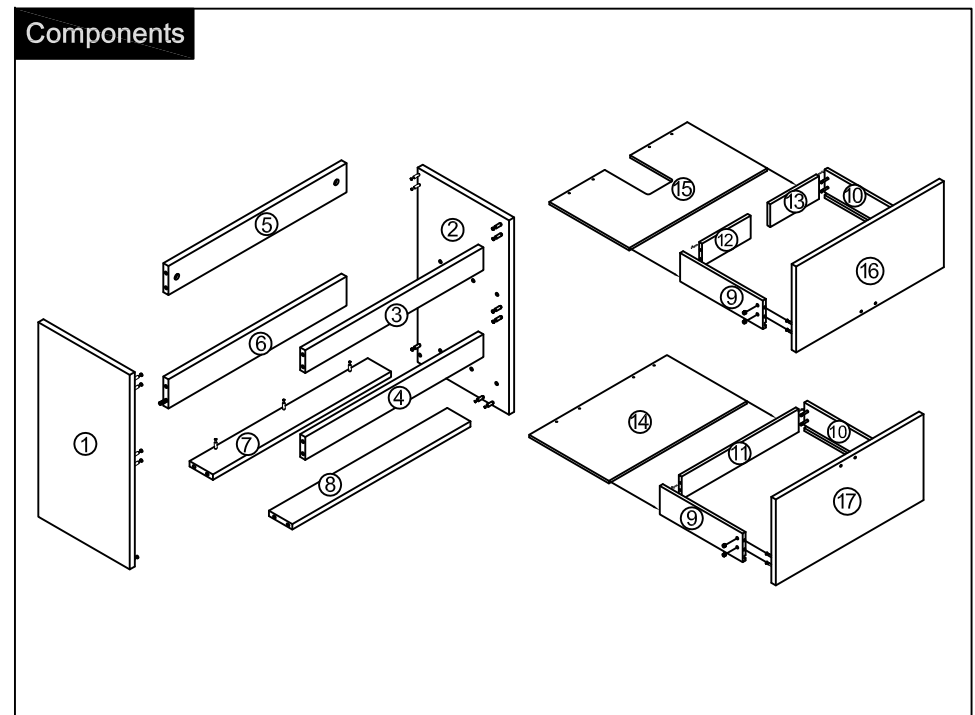
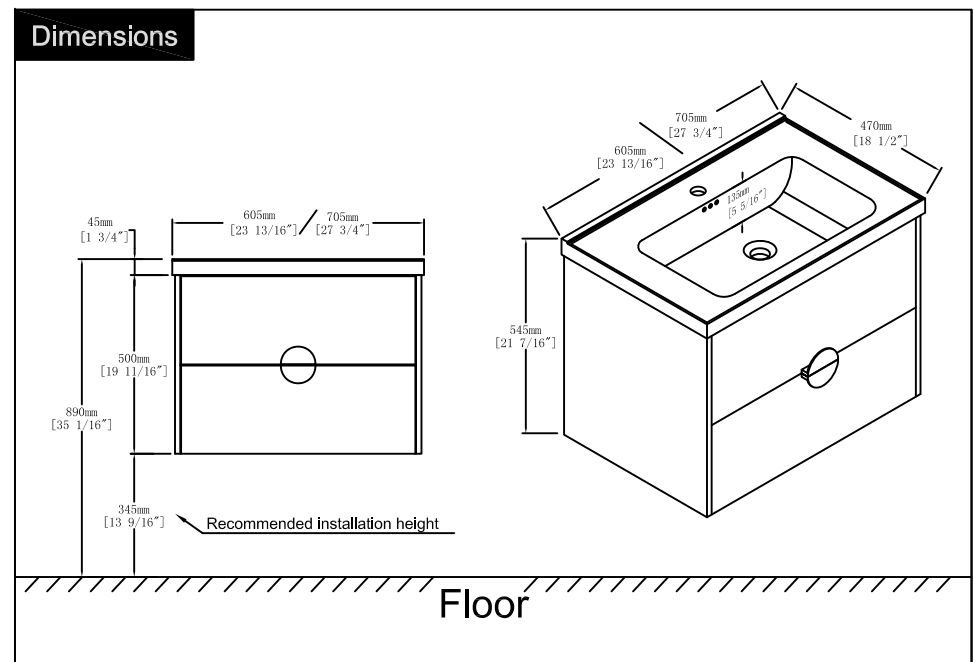
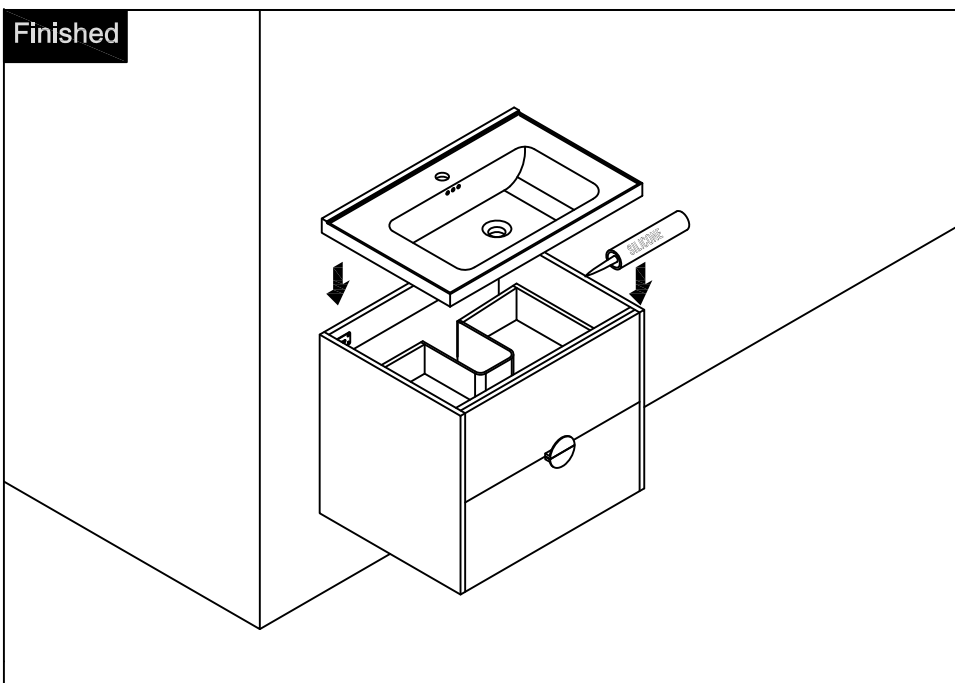
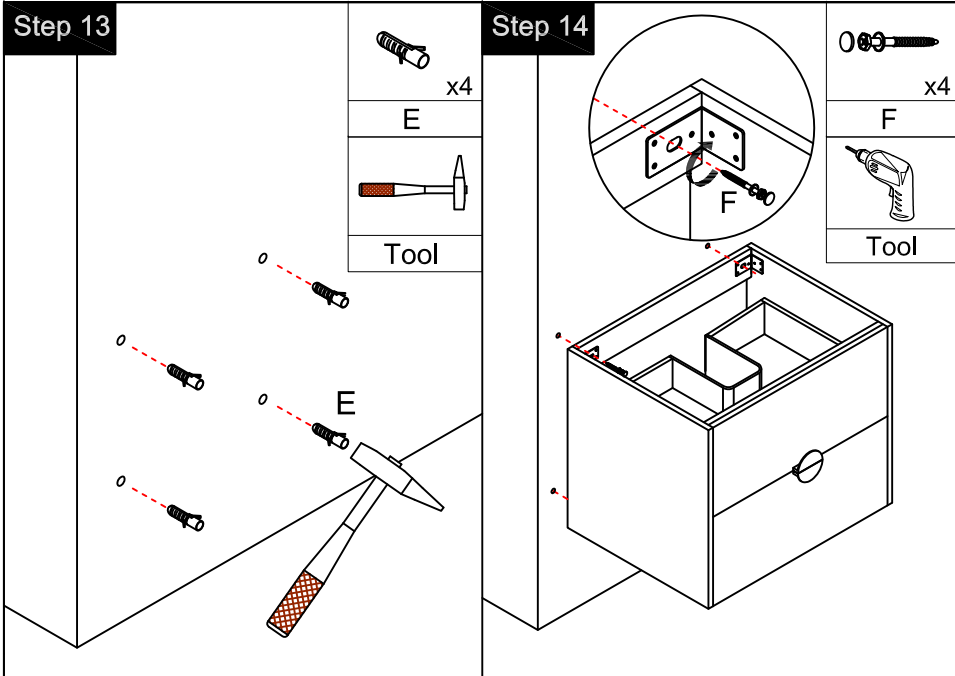


Dimensions



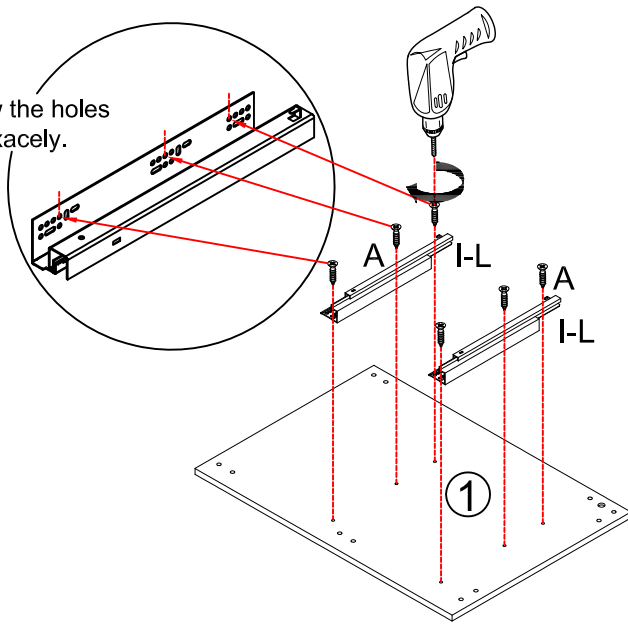
CARE CLEANING AND MAINTENANCE

1. Dust regularly with a soft , dry cloth.
2. Avoid the use of all chemicals household cleaners, abrasives, or cleaners that contain lemon, vinegar, or other acids that may damage the finish.
3. Excessive exposure to sunlight and extreme changes in temperature and moisture can damage wood furniture.
4. The sink top is resilient, but care needs to be taken to preserve its appearance.
5. Do not place hot appliances, such as curling irons and hot hair dryers directly on the countertop. Wipe spills immediately.



Step 1

Note: Follow the holes positions exactly.

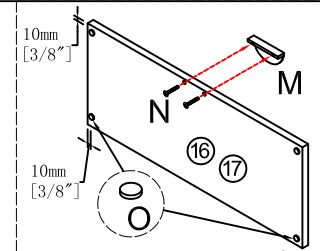
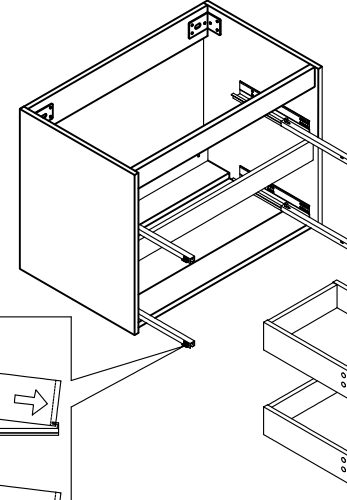
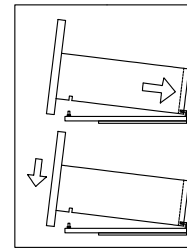


	x2
I	(∅4 x 14mm)
	x6
A	
	Tool

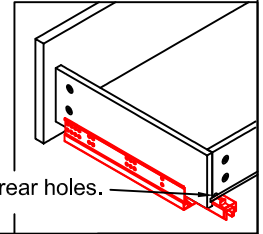
Step 11

Note: extend the sliding rail full.

	x8
O	
	x2
M	
	x4
N	

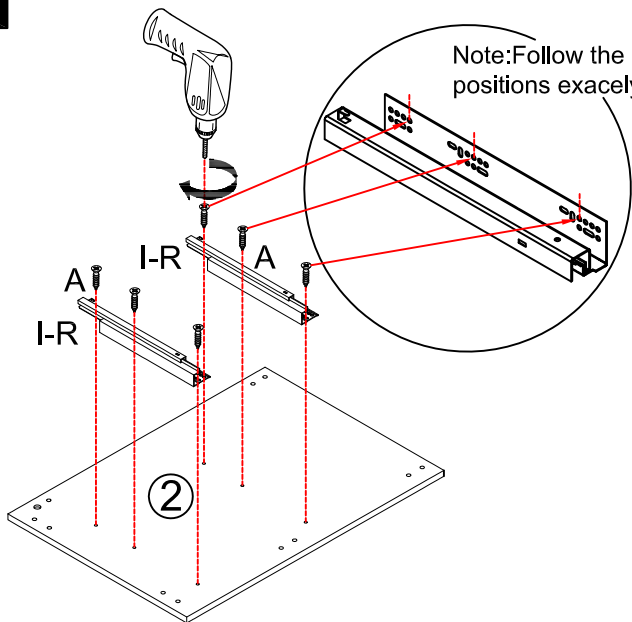


Note: stuck the rear holes.



Step 2

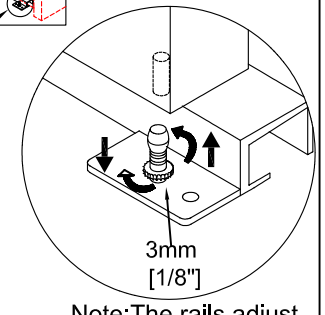
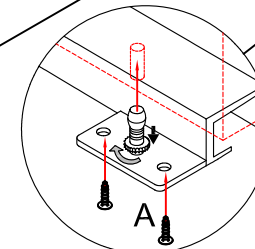
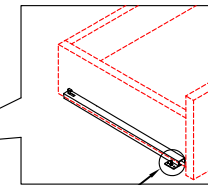
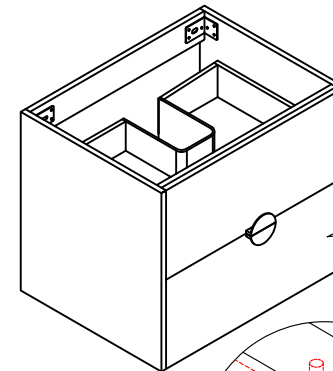
Note: Follow the holes positions exactly.



	x2
I	(∅4 x 14mm)
	x6
A	
	Tool

Step 12

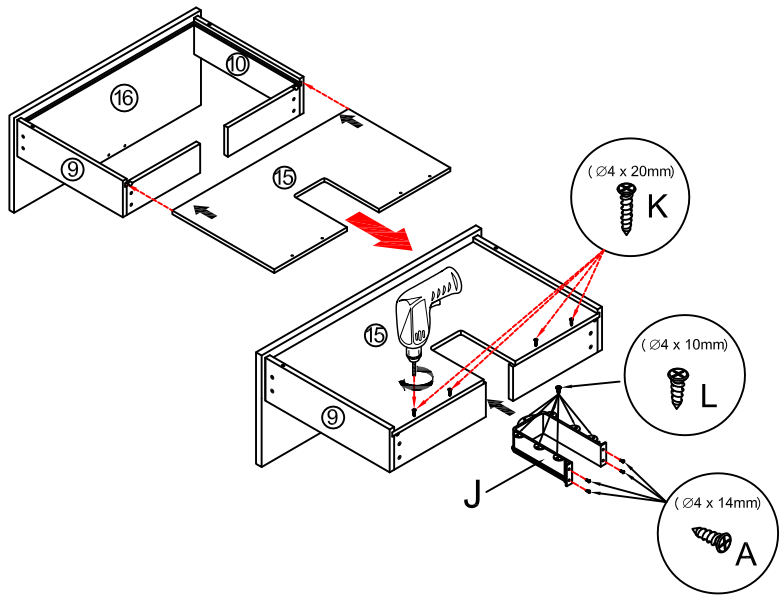
Note: The bottom of the rail is fixed with screw A



Note: The rails adjust their height 3mm.

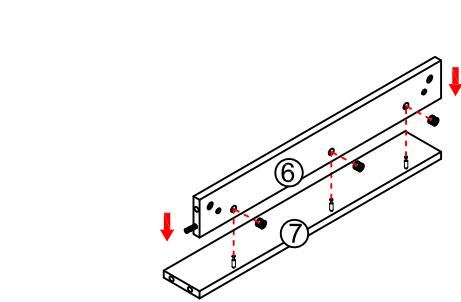
	(∅4 x 14mm)
A	x8
	Tool

Step 9

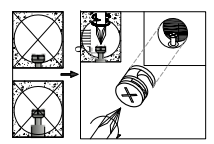


- (Ø4 x 14mm)
- A x4
- (Ø4 x 20mm)
- K x4
- (Ø4 x 10mm)
- L x7
- J x1
- Tool

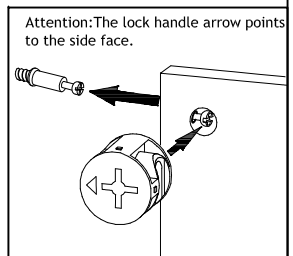
Step 3



- x3
- B
- x3
- C
- x1
- P

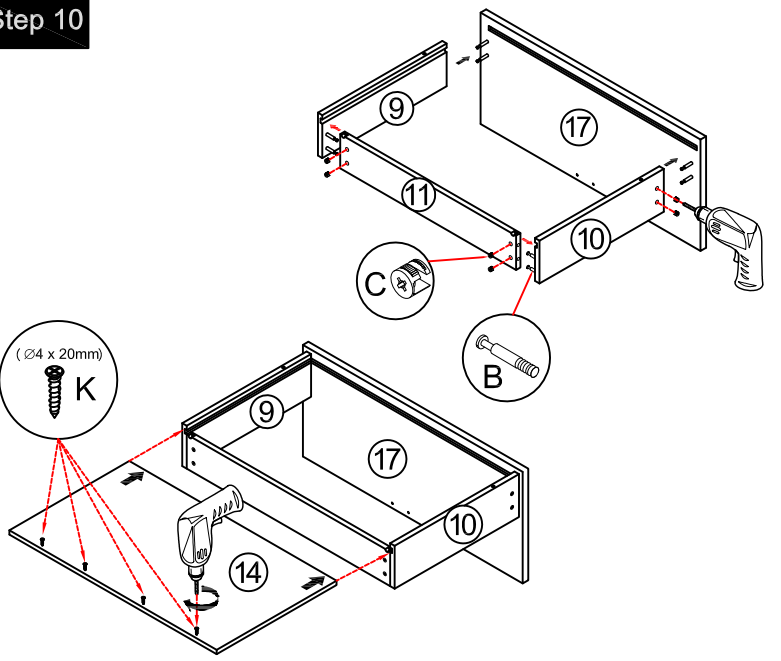


Notes: Screw installation depth as shown



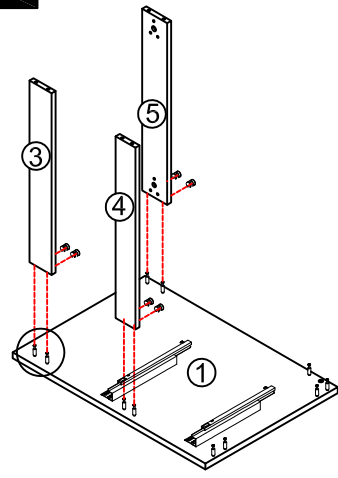
Attention: The lock handle arrow points to the side face.

Step 10

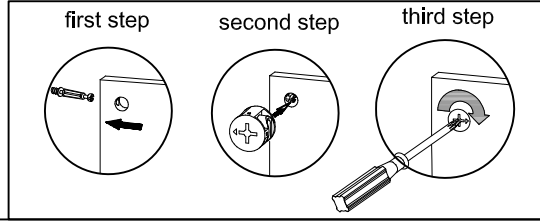


- x8
- B
- x8
- C (Ø4 x 20mm)
- K x4
- x1
- P
- Tool

Step 4



- x6
- B
- x6
- C
- x1
- P

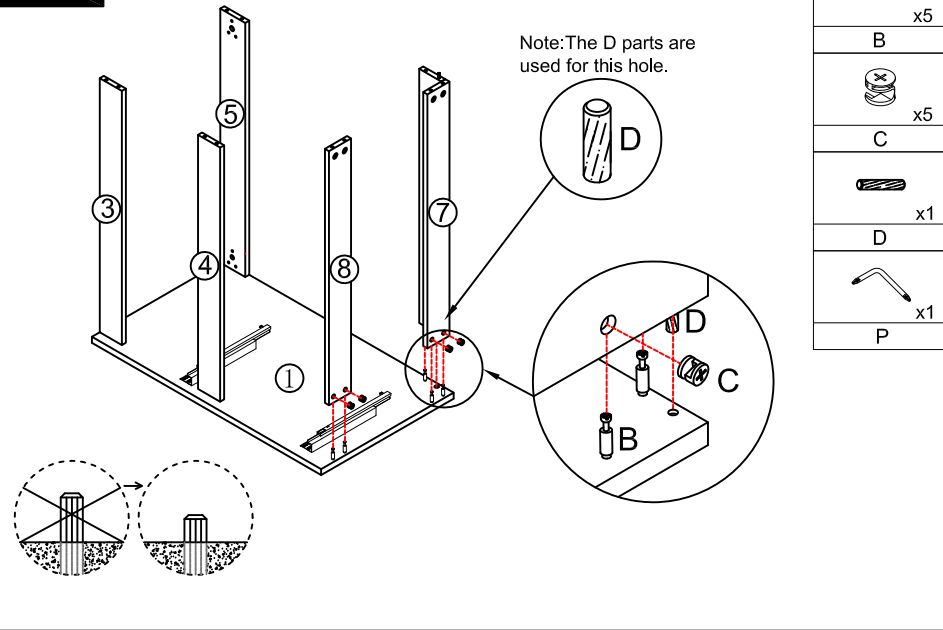


first step

second step

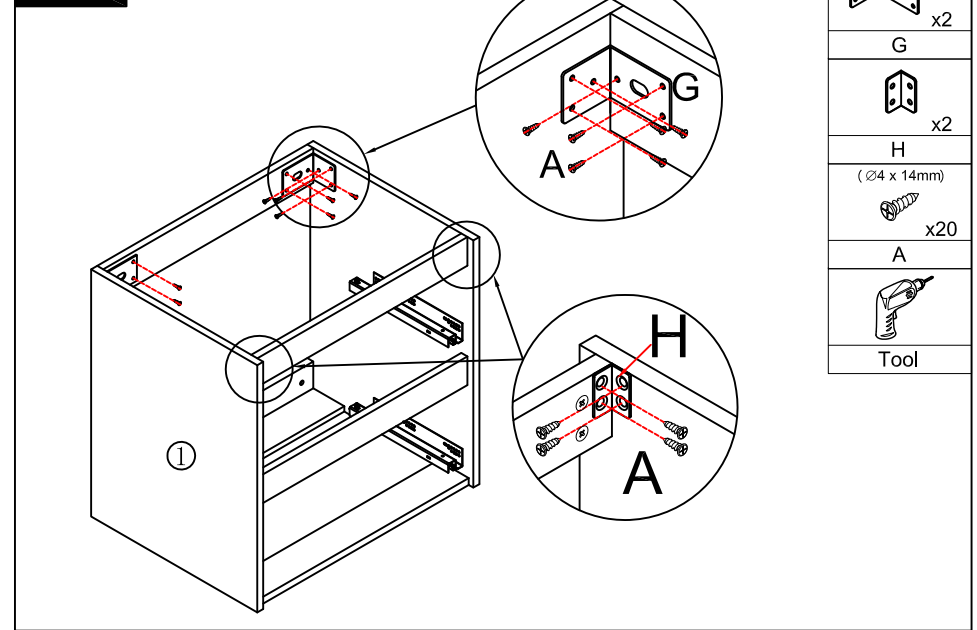
third step

Step 5



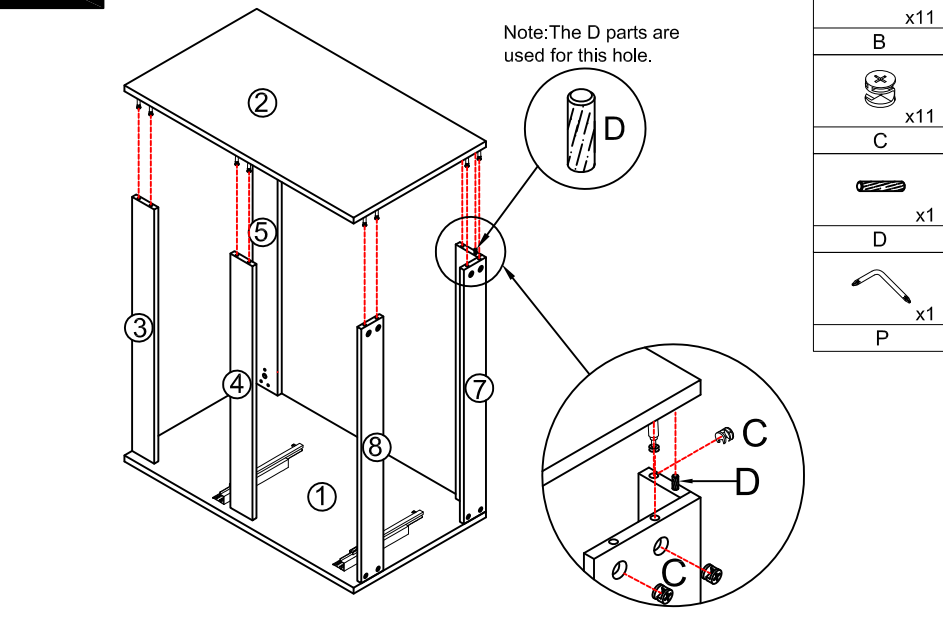
	x5
B	
	x5
C	
	x1
D	
	x1
P	

Step 7



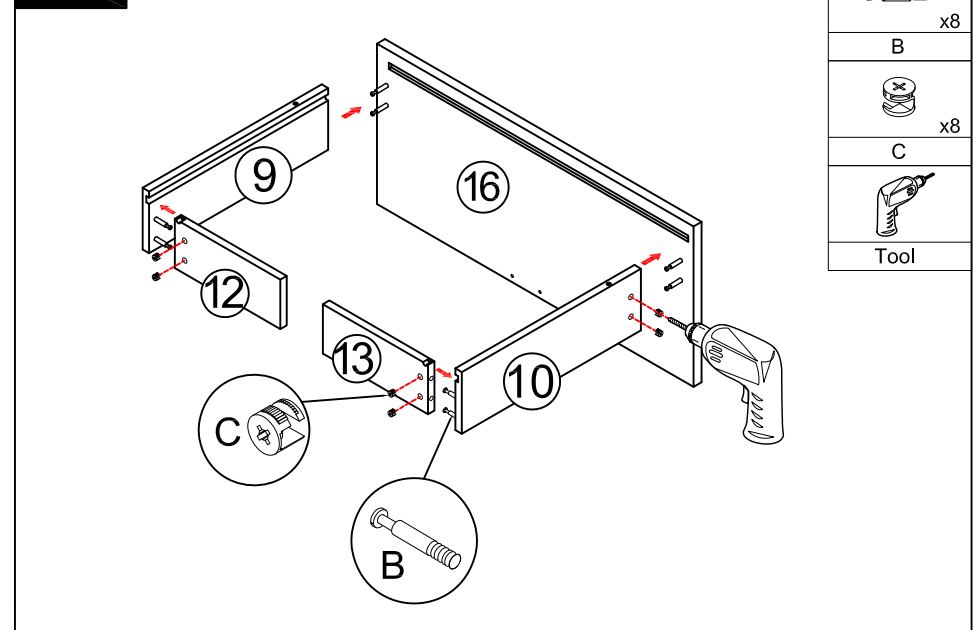
	x2
G	
	x2
H	
($\varnothing 4 \times 14\text{mm}$)	
	x20
A	
	Tool

Step 6



	x11
B	
	x11
C	
	x1
D	
	x1
P	

Step 8



	x8
B	
	x8
C	
	Tool