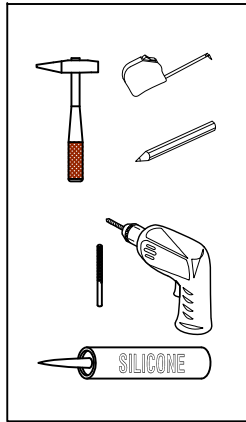


Item NO.:BV C02916 IMOX

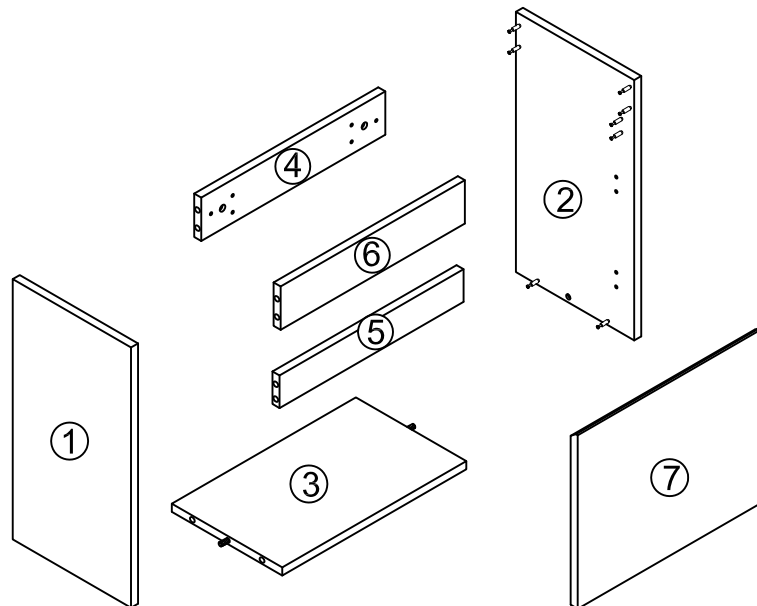
Hardware

NO.	Draw	QTY	NO.	Draw	QTY
A	Screws Ø4x14mm	32	H	Bracket (19x19x35mm)	2
B	Two-in-one connector	16	I	Hinges	2
C	Two-in-one connector	16	J	Anti-collision gasket	2
D	Wood plug	2	K	Screwdriver	1
E	Plastic anchor(Ø10mm)	2			
F	Screws for fix on the wall	2			
G	Bracket (53x70x44mm)	2			

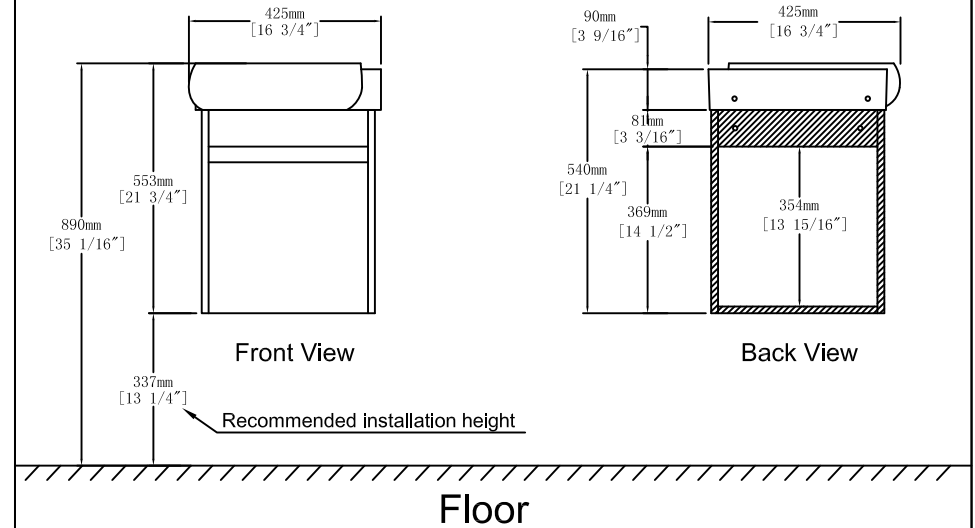
Recommended Tools



Components

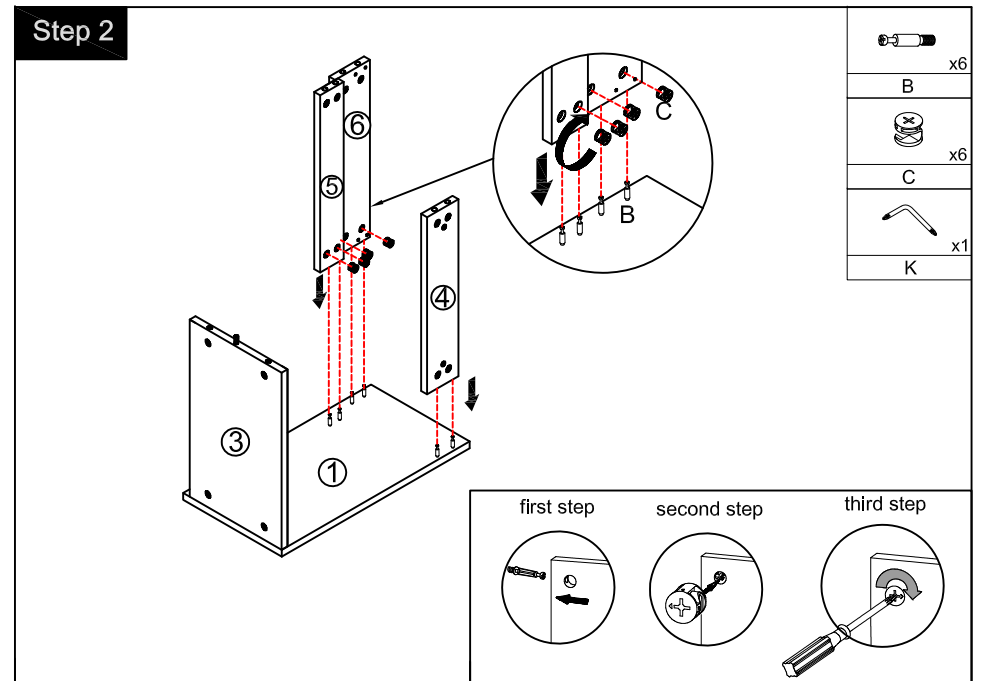
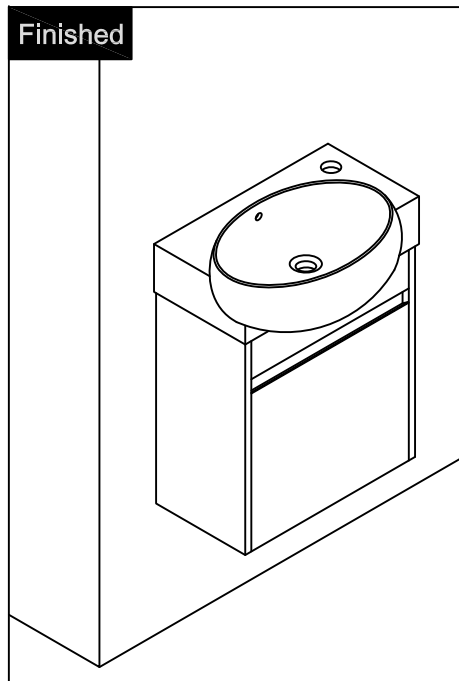
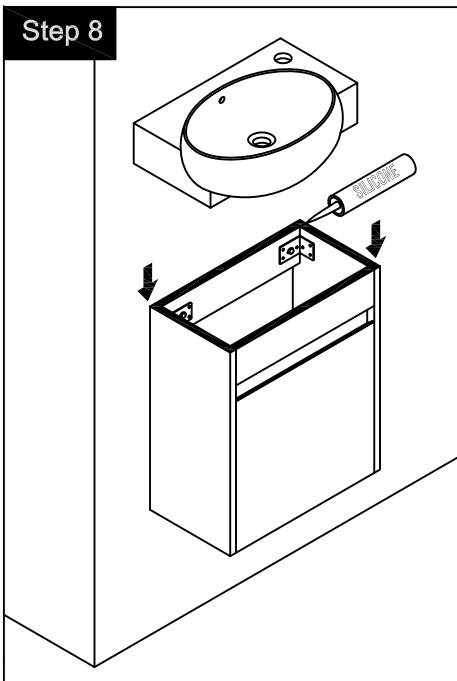
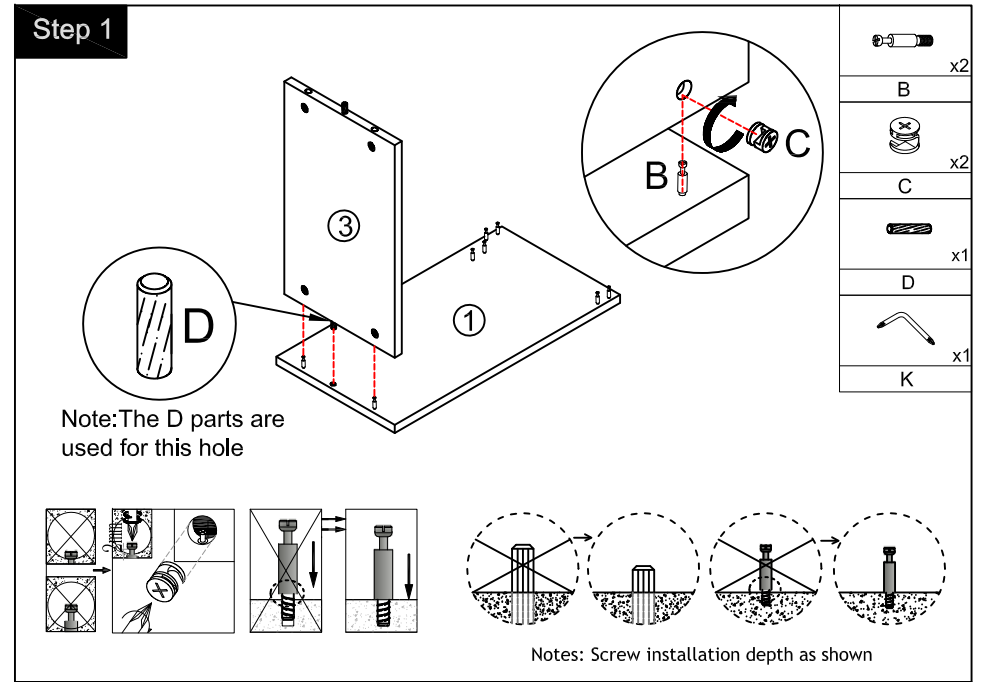
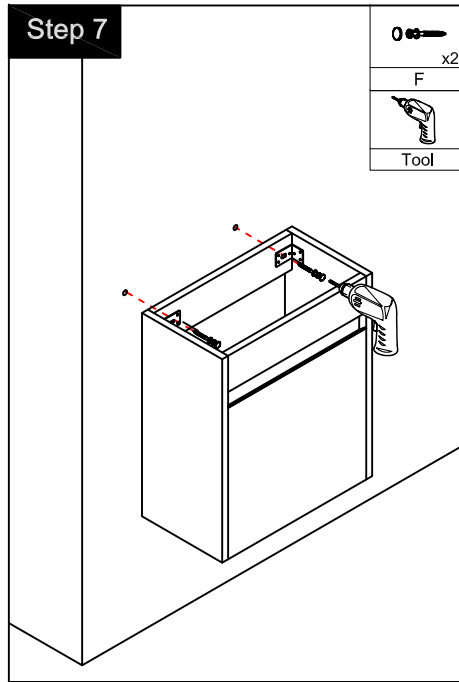
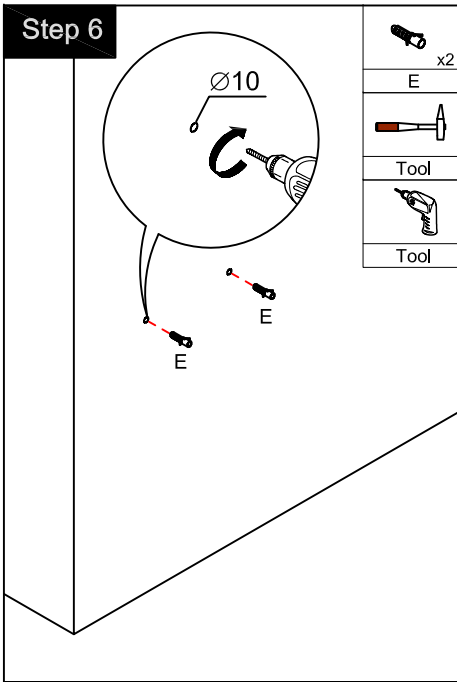


Dimensions



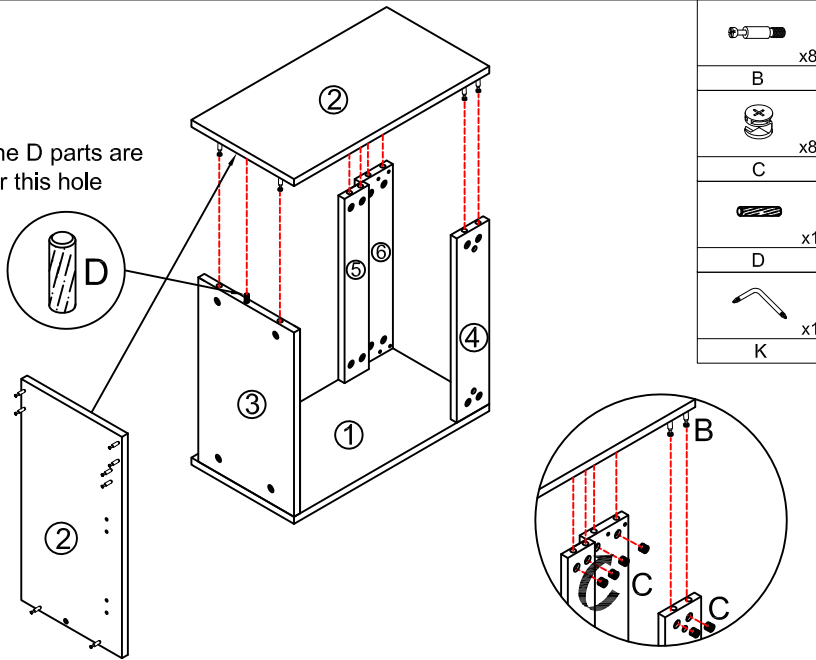
CARE CLEANING AND MAINTENANCE

1. Dust regularly with a soft , dry cloth.
2. Avoid the use of all chemicals household cleaners, abrasives, or cleaners that contain lemon, vinegar, or other acids that may damage the finish.
3. Excessive exposure to sunlight and extreme changes in temperature and moisture can damage wood furniture.
4. The sink top is resilient, but care needs to be taken to preserve its appearance.
5. Do not place hot appliances, such as curling irons and hot hair dryers directly on the countertop. Wipe spills immediately.

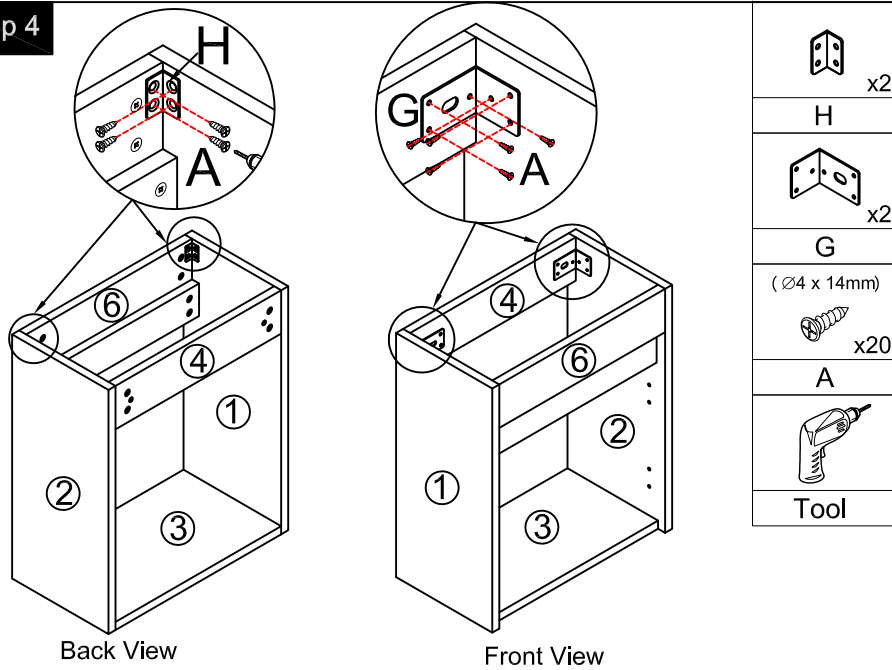


Step 3

Note: The D parts are used for this hole



Step 4



Step 5

