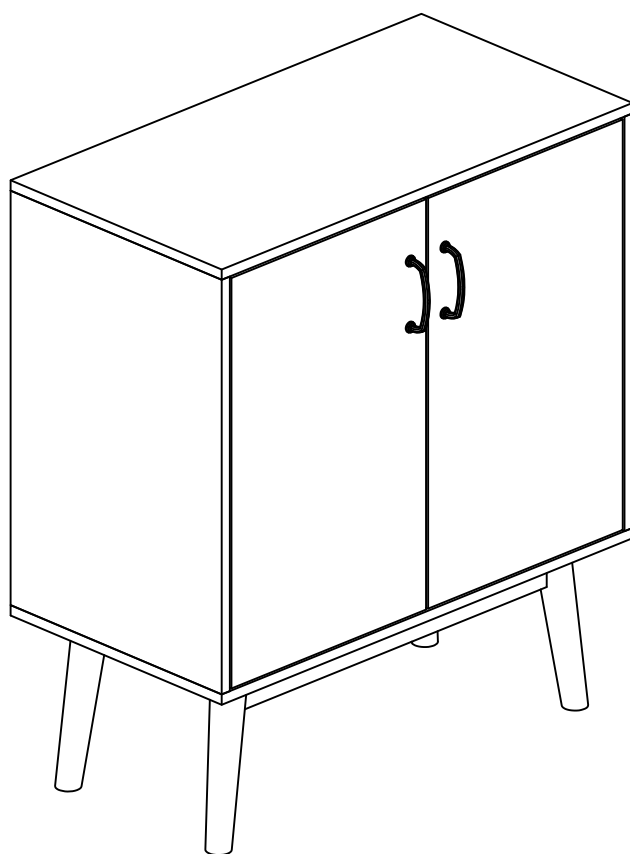
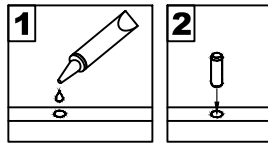


Item # :GMG-Z02-BK
Assembly Instructions

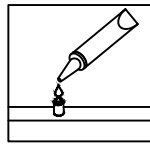


General Assembly Guidelines

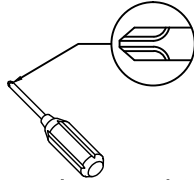
- I. Ensure that all parts and hardware are available before beginning assembly.
- II. Follow each step carefully to ensure the proper assembly of this product.
- III. Two people are recommended for ease in the assembly of this product.
- IV. The three main types of hardware used to assemble this product are: wood dowels, screws and bolts.
- V. The provided glue is to secure wood dowels in place. When first inserting dowels, locate the appropriate hole for the dowel, place a small amount of glue in the hole and insert the dowel. Wipe away excess glue immediately.



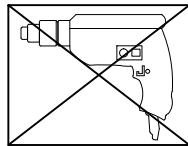
In future assembly steps when dowels are necessary to attach assembly parts together, place a small amount of glue on the end of the dowel before attaching parts together. Wipe away excess glue immediately.



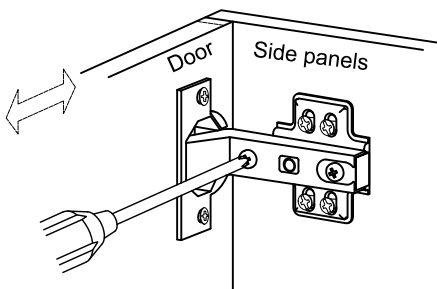
- VI. A Phillips head screwdriver is required for the assembly of this product.



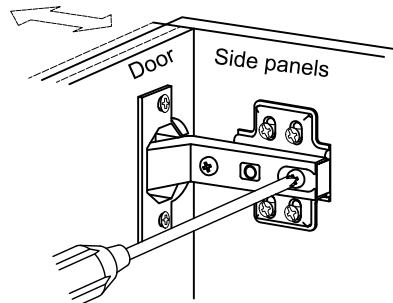
- VII. Power tools should not be used to assemble this product.



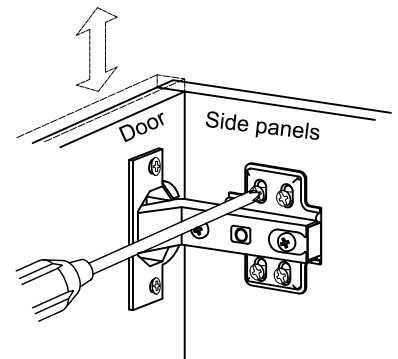
- VIII. Drill may be needed for securing product to wall.
- IX. Concealed hinges are three-way adjustable.



Horizontal
by screw adjustment



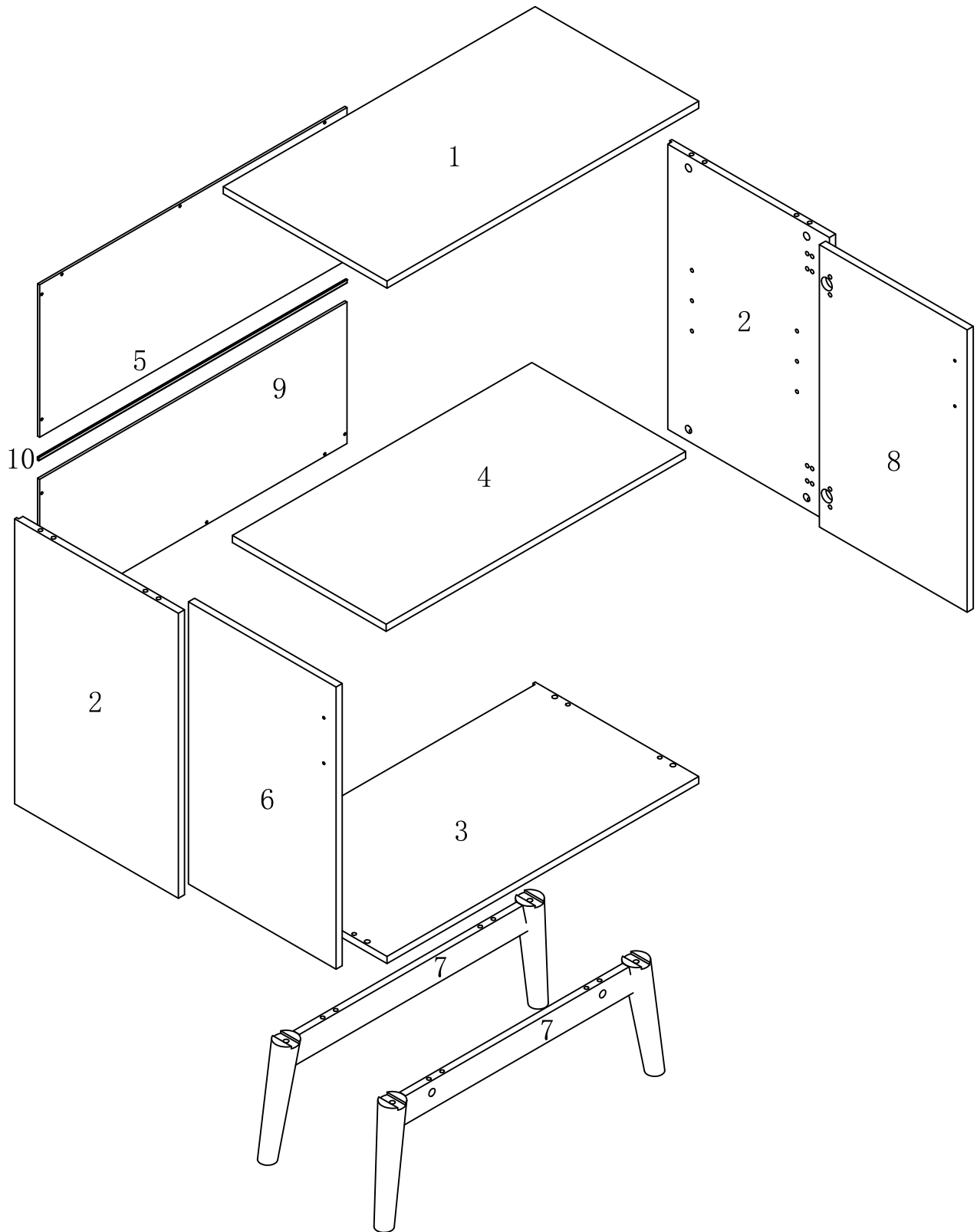
In-and-Out
by loosening the hinge-arm
mounting screw or via cam
adjustment



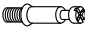



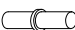
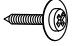




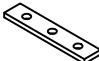


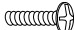




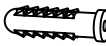


Vertical
Via slots in the mounting
plate or via cam adjustment

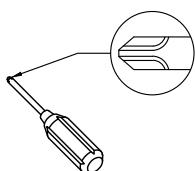
Parts List

Please keep small parts out of reach of children and pet.



Hardware List

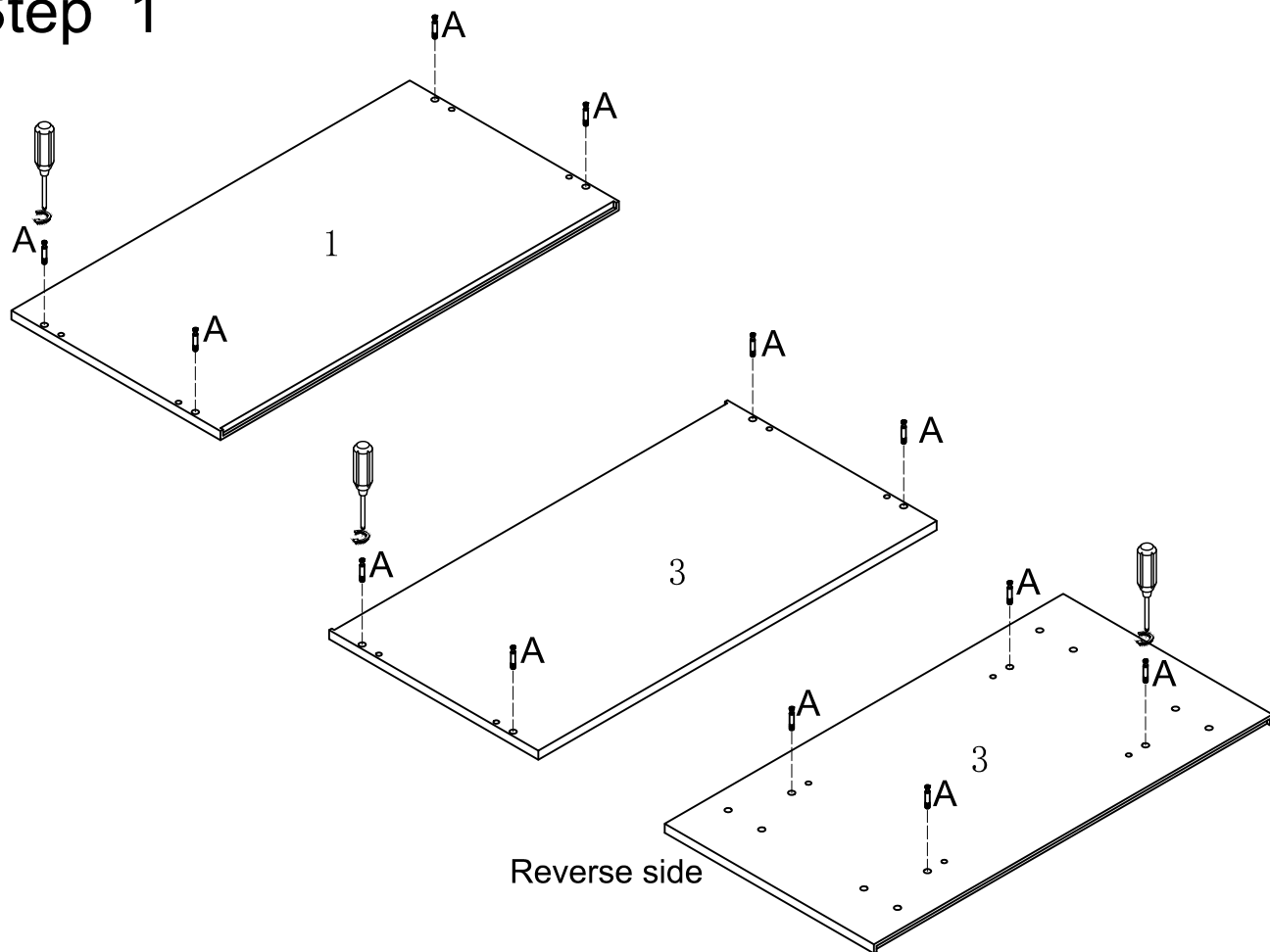
A		Ø6x32	Cam bolt	12 pcs
B		Ø8x30	Wooden dowel	12 pcs
C		Ø15x9.5	Cam lock	12 pcs
D			Sticker	12 pcs
E			Shelf support pin	4 pcs
F		Ø3*12	Screw	18 pcs
H			Hinge	4 pcs
I		Ø4x12	Bolt	24 pcs
J		M6x30	Bolt	4 pcs
K		M6x15	Bolt	8 pcs
L		90*20*3	Plate	4 pcs
M			spring Washer	12 pcs
N			Flat Washer	12 pcs
O		Ø4x20	Bolt	4 pcs
P			Door handle	2 pcs
Q		M4 mm	Hex key	1 pcs
R		Ø4x25	Screw	1 pcs
S			Plastic strap	1 pcs
T			Nut	1 pcs
U			Glue tube	1 pcs
V		Ø4x16	Screw	1 pcs



Philips head screwdriver required for assembly
(not included)

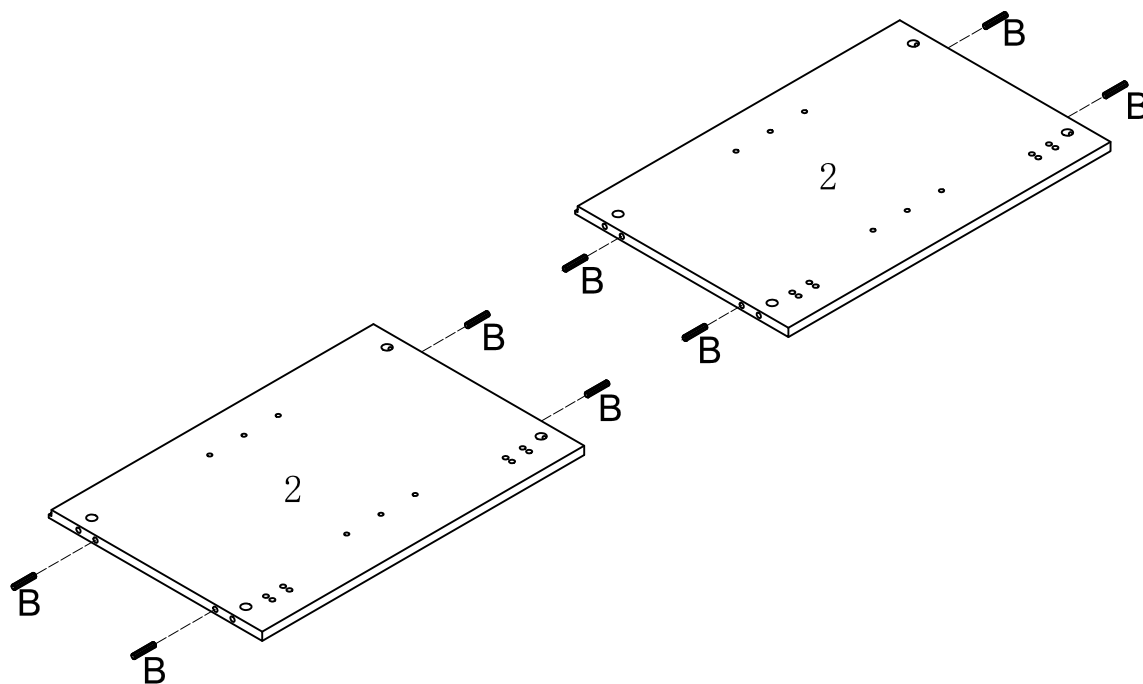
*The hardware quantities listed above are required for proper assembly.
Some extra hardware may also have been included.*

Step 1



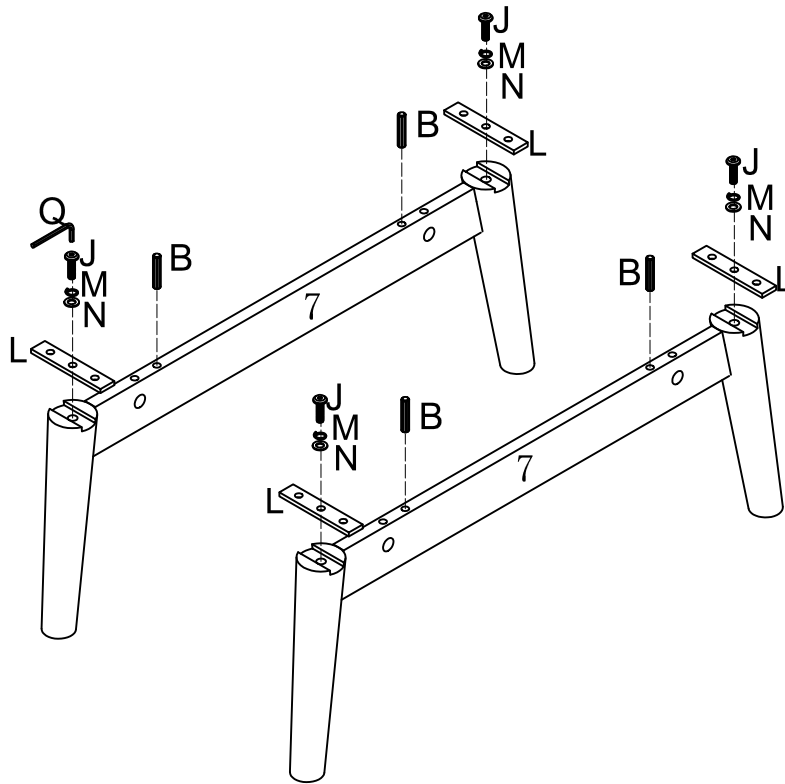
Secure cam bolt (A) into part (1,3) with Philips head screwdriver as per diagram.

Step 2



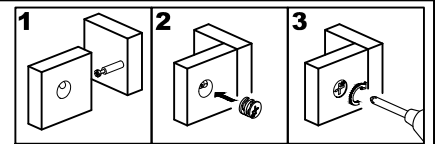
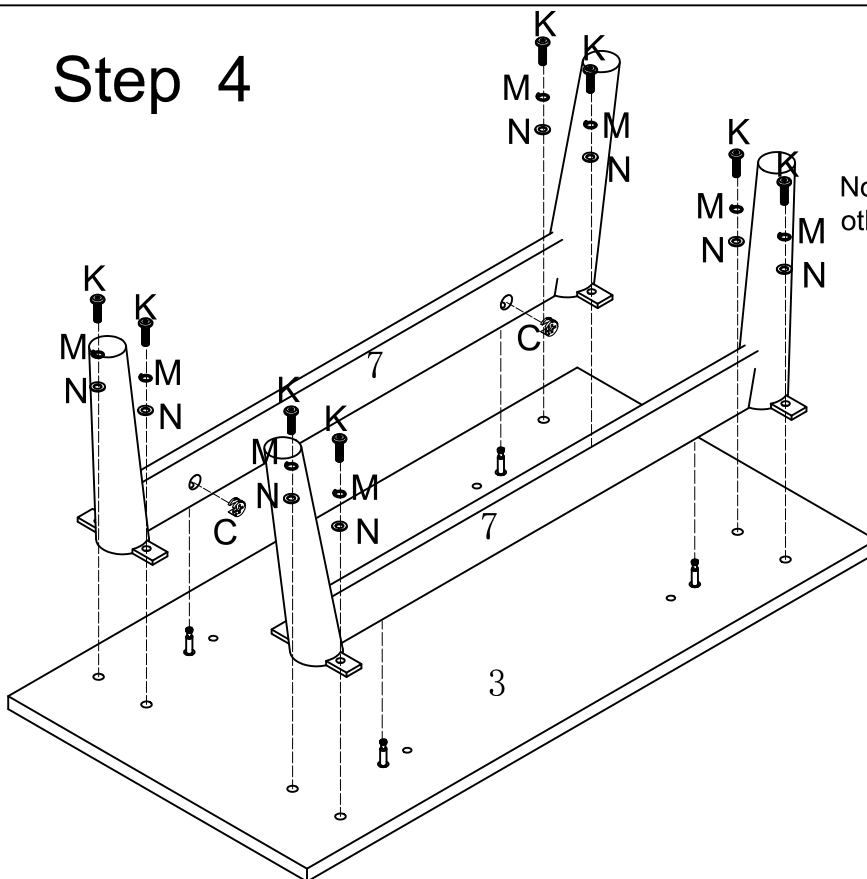
Insert wooden dowel (B) into part (2).

Step 3



Insert wooden dowel (B) into part (7), then using bolt (J) with spring washer (M), flat washer (N) secure plate (L) to part (7) with hex key (Q) as per diagram.

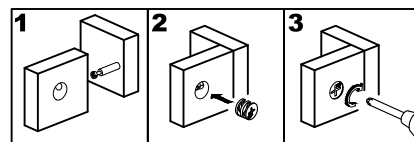
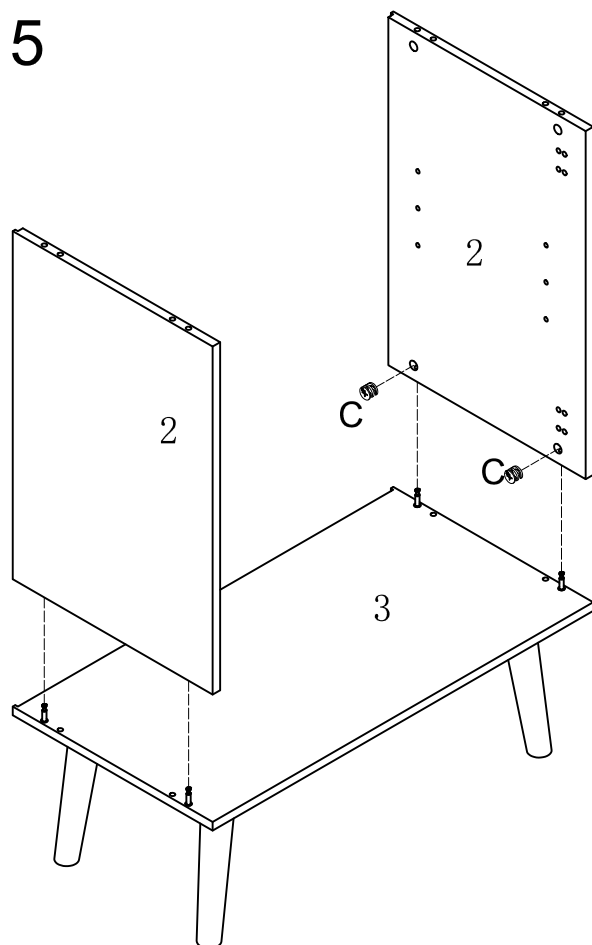
Step 4



Note: Please don't over-tighten the cam lock, otherwise, it will be broken.

Using cam lock(C) secure part (7) to part (3) with Philips head screwdriver. Then using bolt (K) with spring washer (M), flat washer (N) secure plate (L) to part (3) with hex key (G) as per diagram.

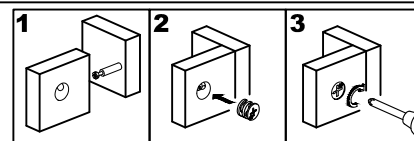
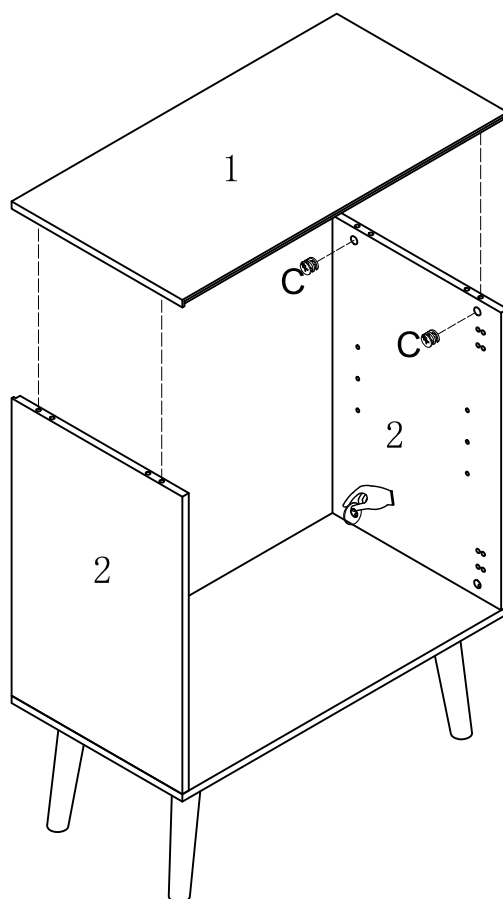
Step 5



Note: Please don't over-tighten the cam lock, otherwise, it will be broken.

Using cam lock (C) secure parts (2) to parts (3) with Philips head screwdriver as per diagram.

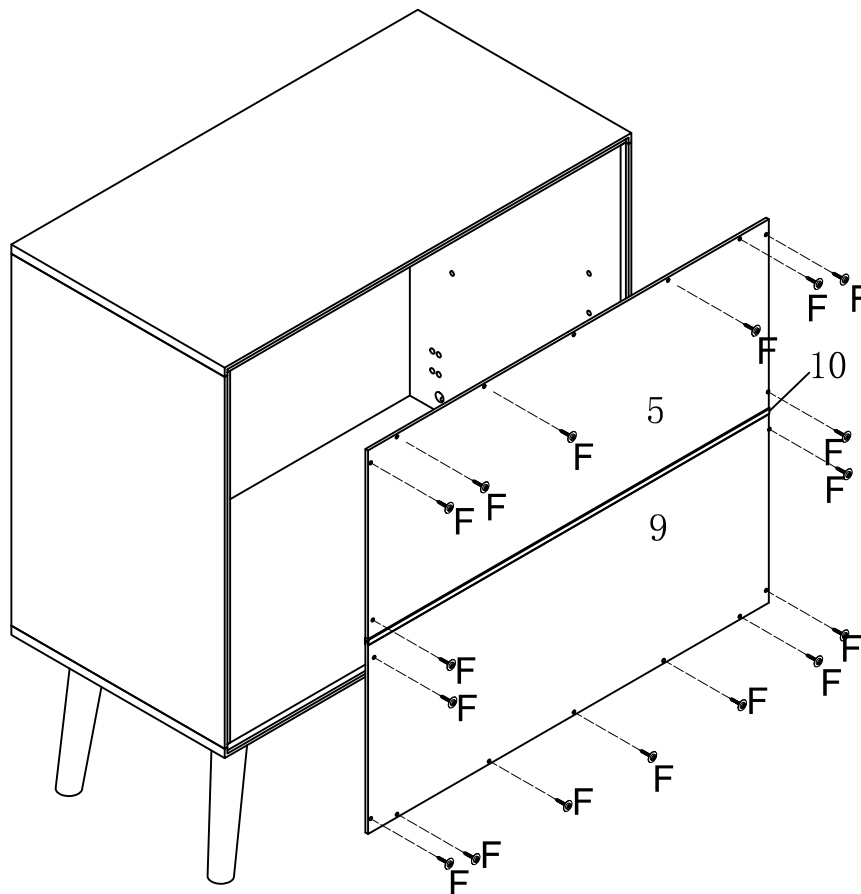
Step 6



Note: Please don't over-tighten the cam lock, otherwise, it will be broken.

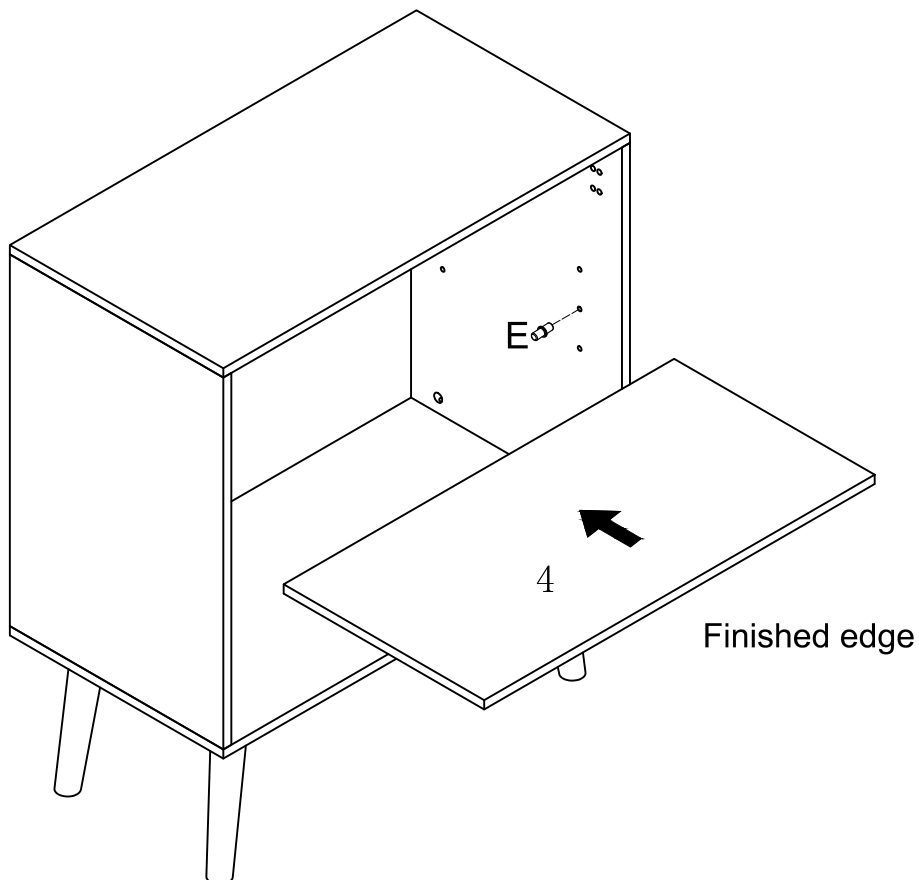
Using cam lock (C) secure parts (1) to parts (2) with Philips head screwdriver as per diagram. Place sticker (D) cover the holes as per diagram finally.

Step 7



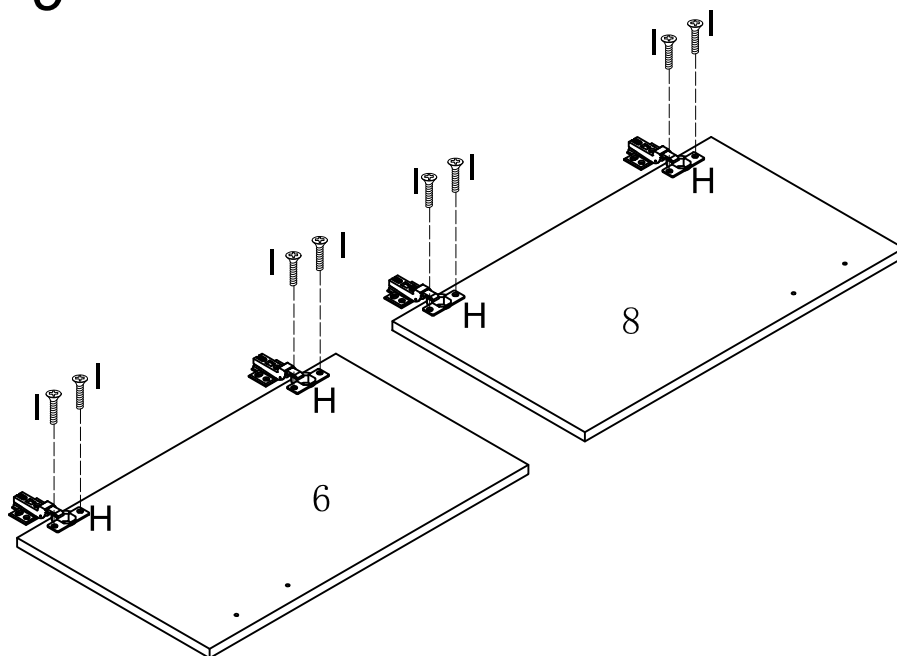
Secure part (5,9,10) using screws (F) with Philips head screwdriver as per diagram.

Step 8



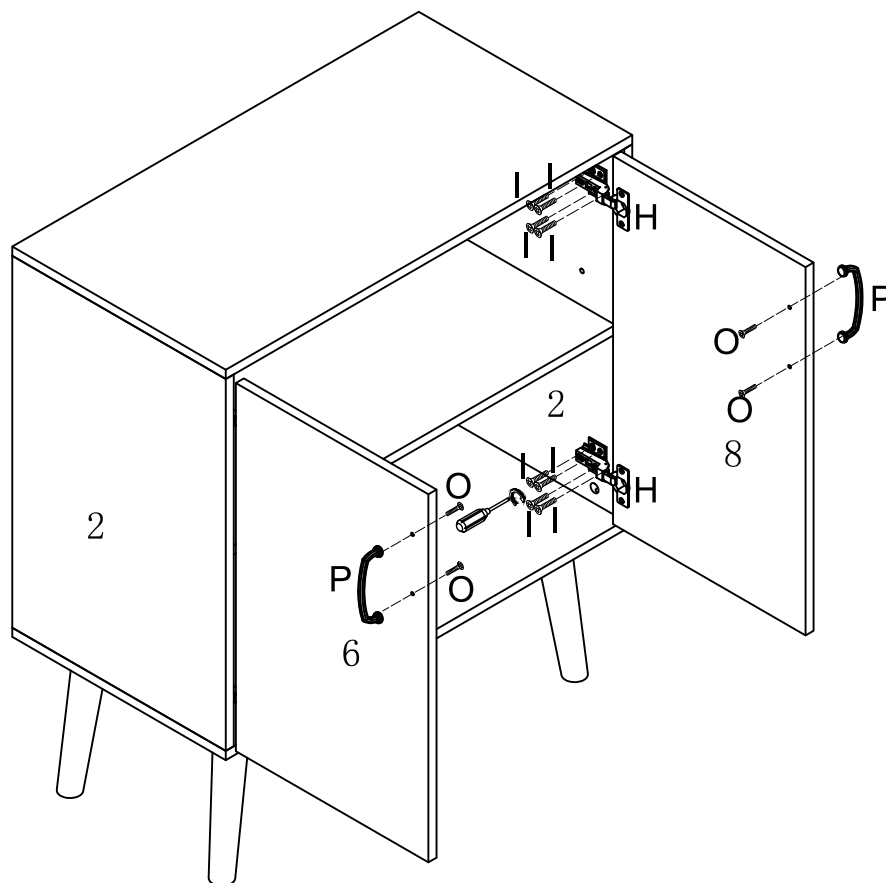
Inserts the shelf support pin (E) to the side panels at desired shelf heights, then carefully place shelves (4) on shelf support pins.

Step 9



Use bolt (I) attach hinges (H) into doors (6,8) with Philips head screwdriver as per diagram.

Step 10

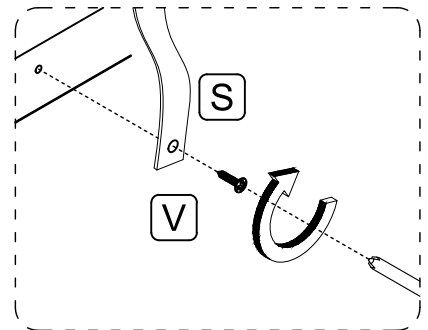
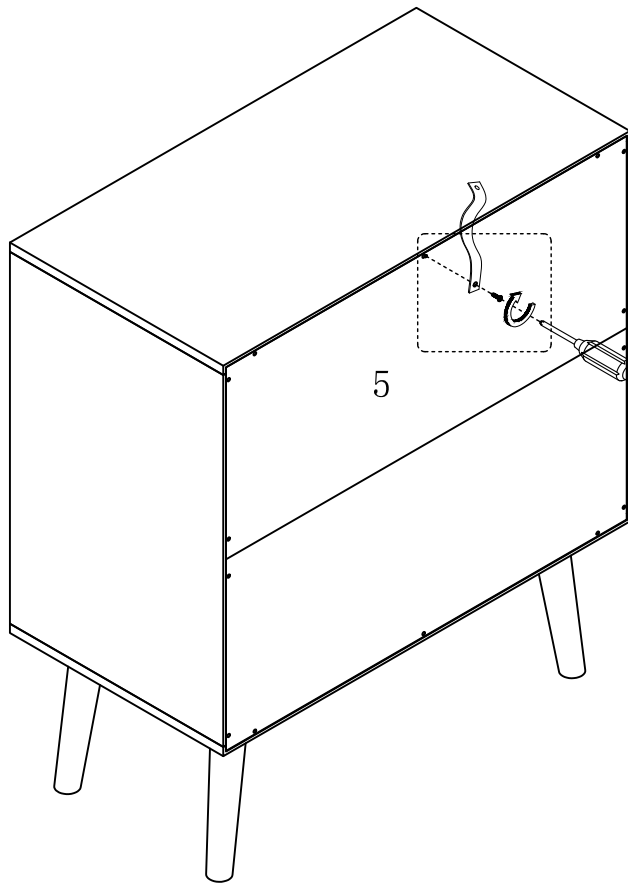


Use bolt (I) attach hinges (H) and use bolt (O) attach handle (P) into doors (6,8) with Philips head screwdriver as per diagram.

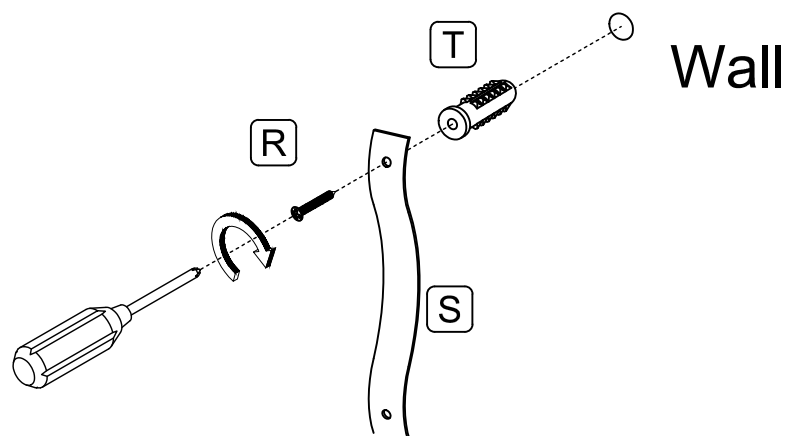
Step 11

WARNING

Serious or fatal injuries can occur from furniture tipping over. To prevent the furniture from tipping over we recommend that it is permanently fixed to the wall. Wall anchor and hardware are included with this product. Please make sure hardware is suitable for your walls before installing, as different wall materials may require different types of anchors.

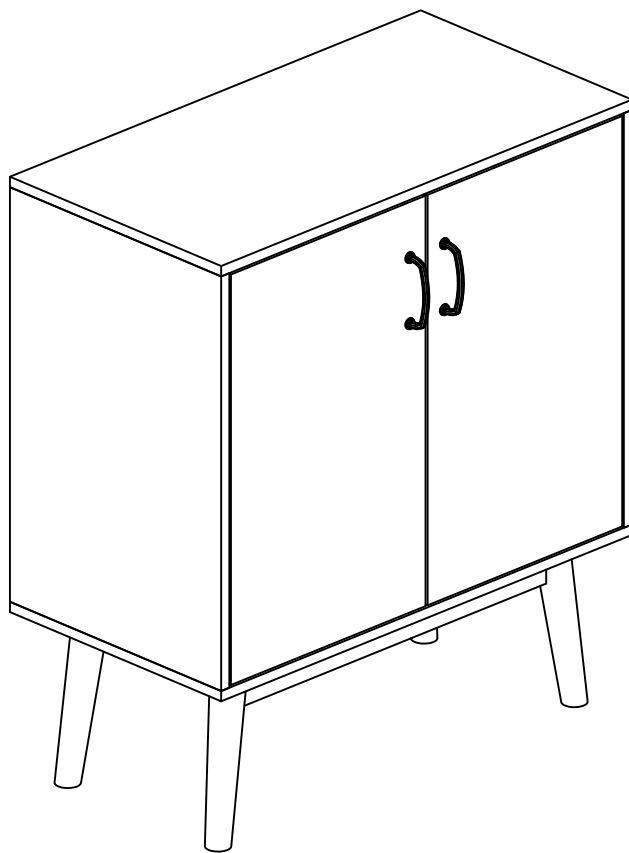


Using screw (V) attach strap (S) to part (5) with Philips head screwdriver as per diagram



Using screw (R) attach strap (S) into nut (T) to wall with Philips head screwdriver as per diagram.

Step 13



Final Assembly

WARNING

DO NOT use outdoor

DO NOT exceed weight limit

DO NOT use this item unless all fixings are secured.

DO NOT push the item as this will damage the base.

The unit must be handled by at least 2 persons when moving in the same or adjacent rooms.

Before moving the unit, make sure to remove any object that is heavy or might fall off. Please note that lifting from the tabletop with too much weight on the product might lead to part damage/separation.

When lifting the unit, use both hands and bend your knees, not your backs.

When transporting the unit to places far away, protect and secure the unit to avoid damage in transit.

DO NOT expose the surfaces to direct sunlight or to extreme environmental conditions. Damages caused by this kind of exposure is not covered by the product's warranty.

DO NOT leave spilled liquid in the cabinet

DO NOT place hot or cold items directly onto the surface of the item as marking will occur.

Clean the surfaces preferable with a clean cloth damped in a solution of mild soap and water, then dry with a clean towel.