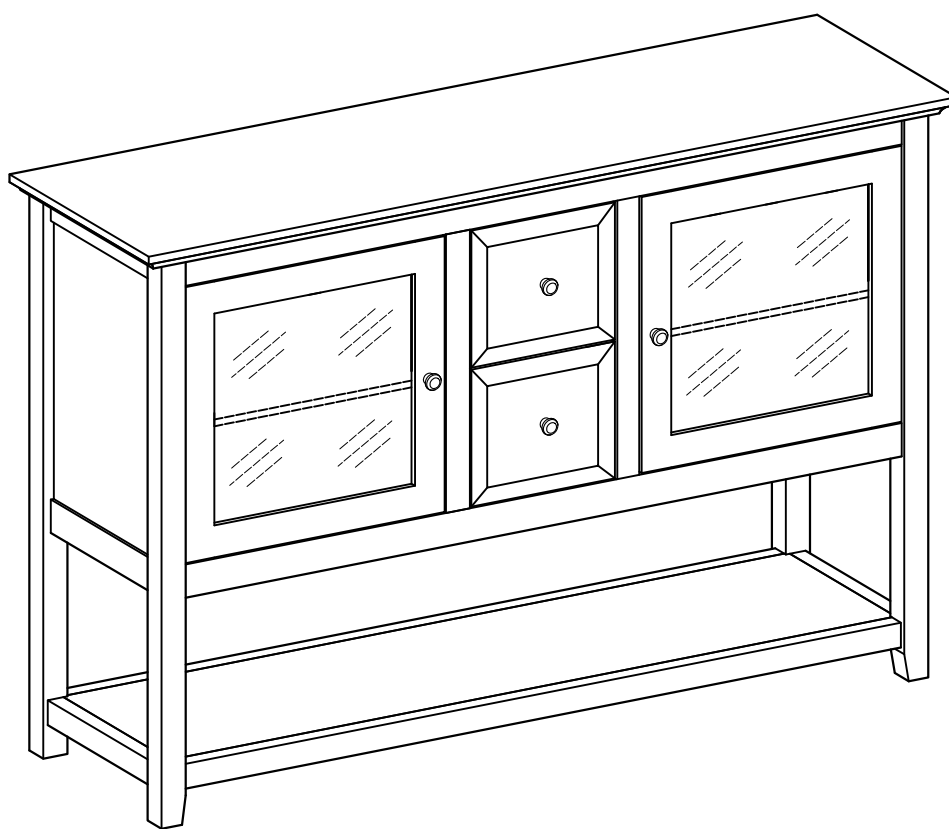
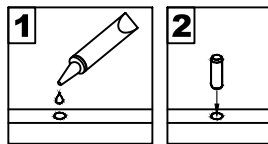


Item # :GMX-G01-TE
Assembly Instructions

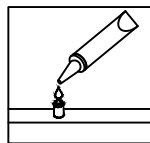


General Assembly Guidelines

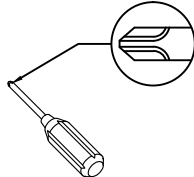
- I. Ensure that all parts and hardware are available before beginning assembly.
- II. Follow each step carefully to ensure the proper assembly of this product.
- III. Two people are recommended for ease in the assembly of this product.
- IV. The three main types of hardware used to assemble this product are: wood dowels, screws and bolts.
- V. The provided glue is to secure wood dowels in place. When first inserting dowels, locate the appropriate hole for the dowel, place a small amount of glue in the hole and insert the dowel. Wipe away excess glue immediately.



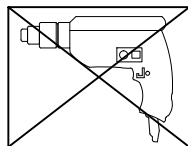
In future assembly steps when dowels are necessary to attach assembly parts together, place a small amount of glue on the end of the dowel before attaching parts together. Wipe away excess glue immediately.



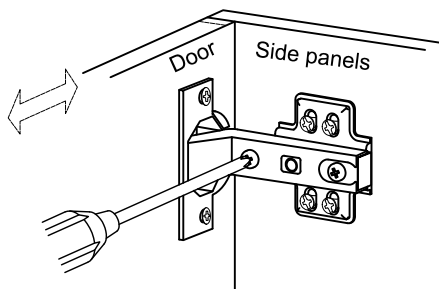
- VI. A Phillips head screwdriver is required for the assembly of this product.



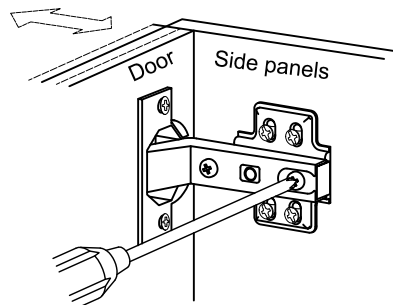
- VII. Power tools should not be used to assemble this product.



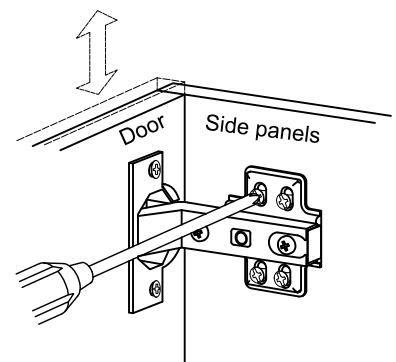
- VIII. Drill may be needed for securing product to wall.
- IX. Concealed hinges are three-way adjustable.



Horizontal
by screw adjustment

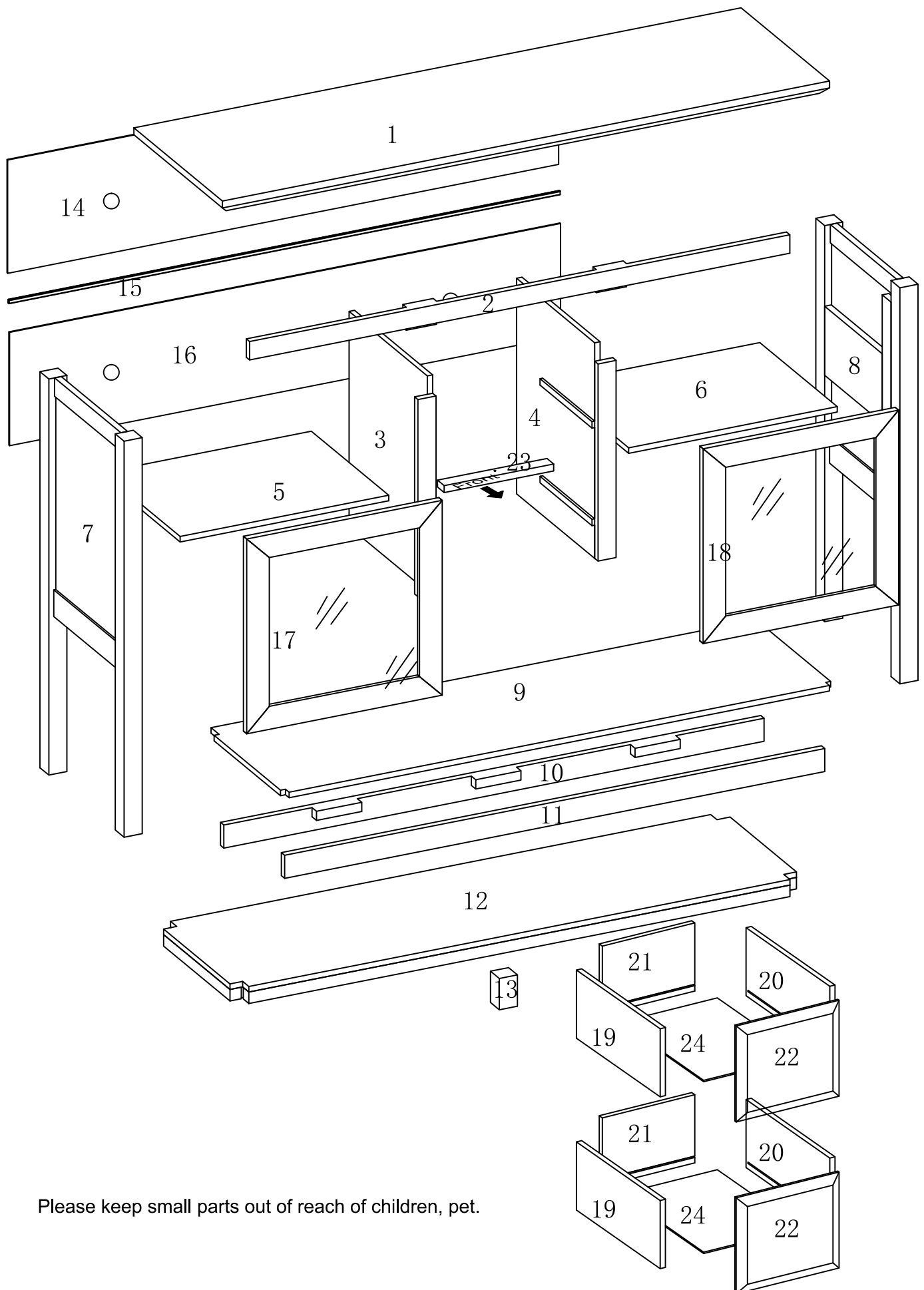


In-and-Out
by loosening the hinge-arm
mounting screw or via cam
adjustment



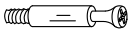
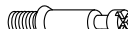




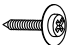



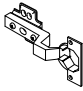
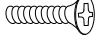


Vertical
Via slots in the mounting
plate or via cam adjustment

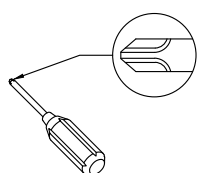
Parts List



Please keep small parts out of reach of children, pet.

Hardware List

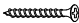
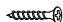




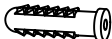

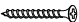


A		Ø6x32	Cam bolt	23 pcs
B		Ø6x35	Cam bolt	14 pcs
C		Ø15x9.5	Cam lock	37 pcs
D		Ø8x30	Wooden dowel	12 pcs
E		Ø6x30	Wooden dowel	22 pcs
F			Shelf support pin	8 pcs
G		Ø3*12	Screw	30 pcs
H			Door knob	4 pcs
I		Ø4x20	Bolt	4 pcs
J			Sticker	12 pcs
K			Hinge	4 pcs
L		Ø4x12	Bolt	24 pcs
M			Shelf stopper	2 pcs
N		Ø3*12	Screw	2 pcs

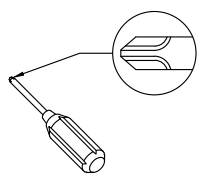


Philips head screwdriver required for assembly
(not included)

*The hardware quantities listed above are required for proper assembly.
Some extra hardware may also have been included.*

Hardware List

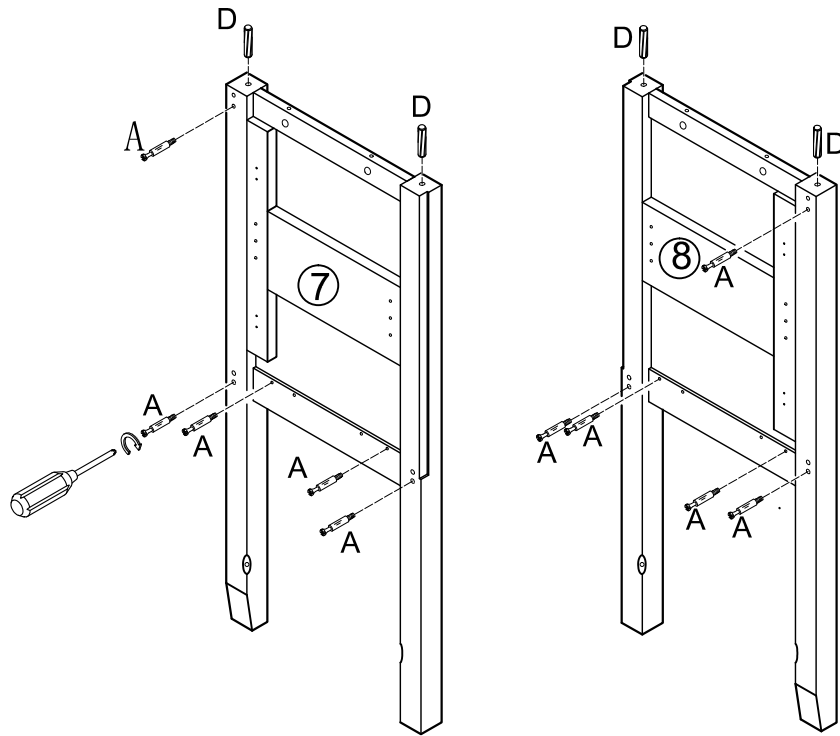
O		Ø4*35	Screw	8 pcs
P		Ø4*25	Screw	12 pcs
Q		Ø6*50	Bolt	4 pcs
R		Ø6*50mm	Spring washer	4 pcs
S		Ø6*50mm	Flat washer	4 pcs
T			Plastic strap	2 pcs
U			Nut	2 pcs
V		Ø4*15	Screw	2 pcs
W		Ø4*25	Screw	2 pcs
X		M4 mm	Hex key	1 pcs
Y			Glue tube	1 pcs



Philips head screwdriver required for assembly
(not included)

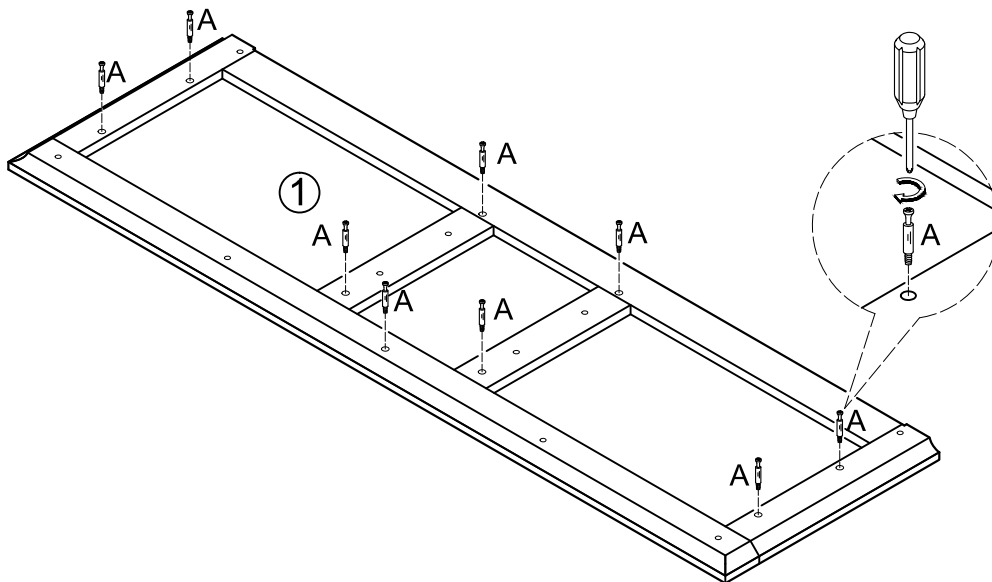
*The hardware quantities listed above are required for proper assembly.
Some extra hardware may also have been included.*

Step 1



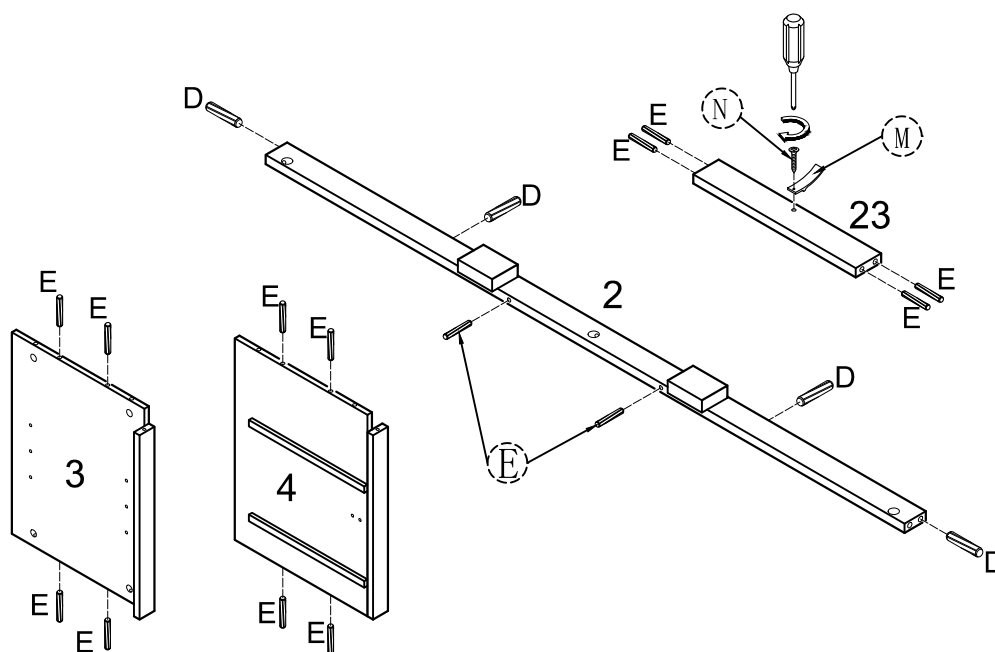
Insert wooden dowel (D) into part (7,8). Secure cam bolt (A) into part (7,8) with Philips head screwdriver as per diagram.

Step 2



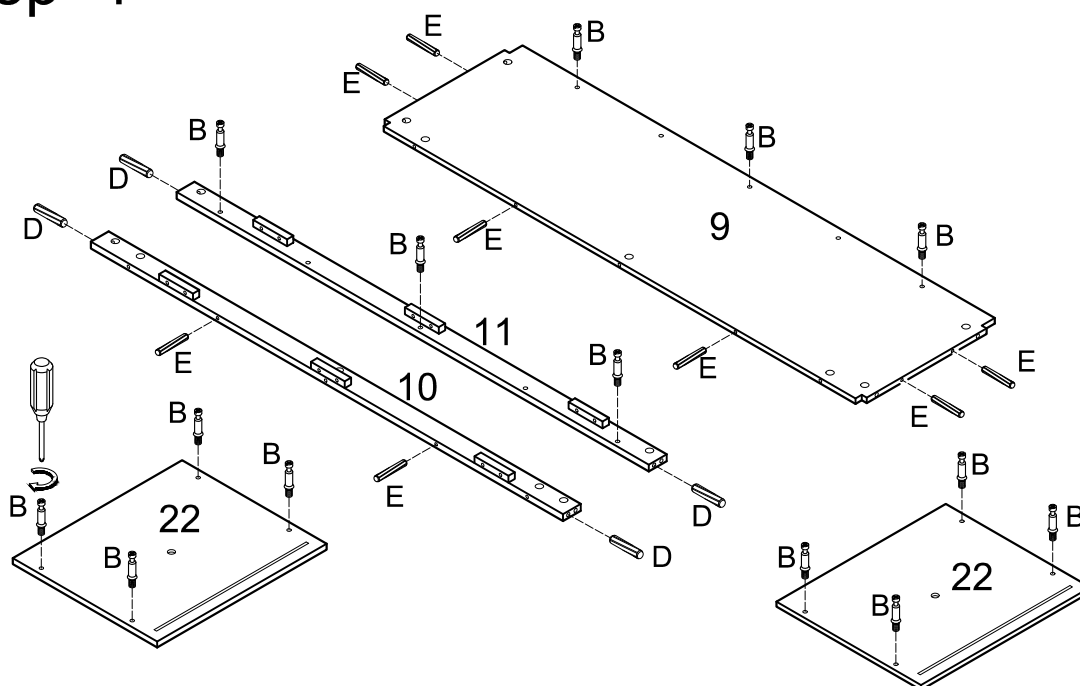
Secure cam bolt (A) into part (1) with Philips head screwdriver as per diagram.

Step 3



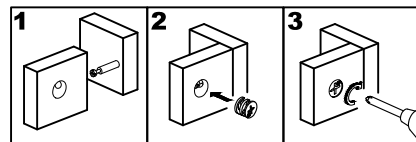
Insert wooden dowel (E) into part (2,3,4,23). Insert wooden dowel (D) into part (2). Using screw (N) secure shelf stopper (M) to parts (23) with Philips head screwdriver as per diagram.

Step 4

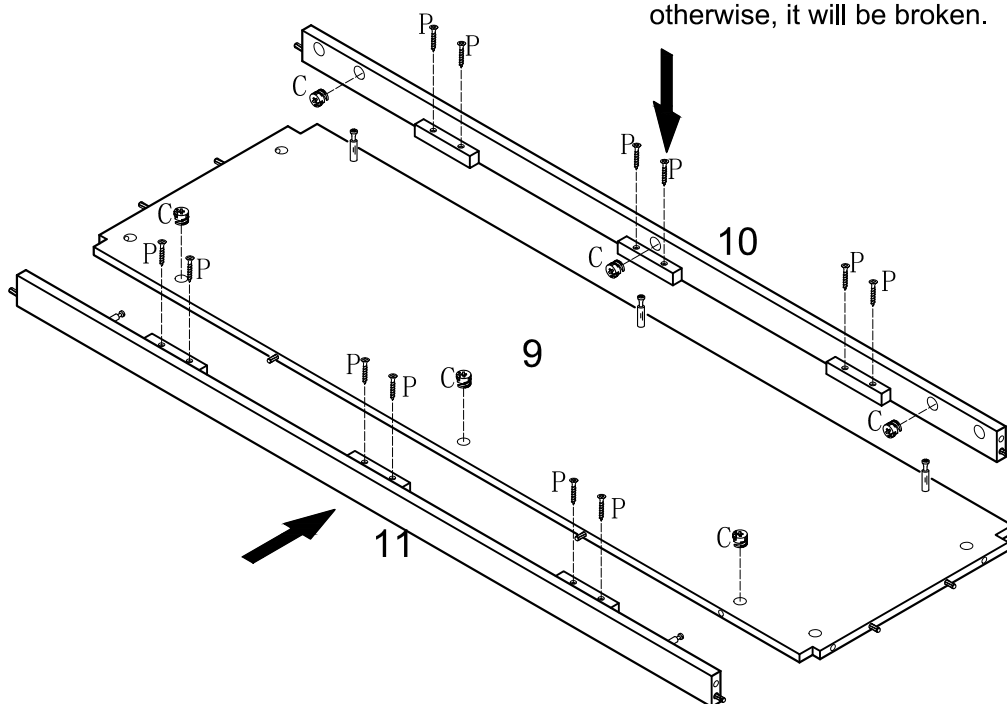


Insert wooden dowel (E) into part (9,10). Insert wooden dowel (D) into part (10,11). Secure cam bolt (B) into part (9,11,22) with Philips head screwdriver as per diagram.

Step 5

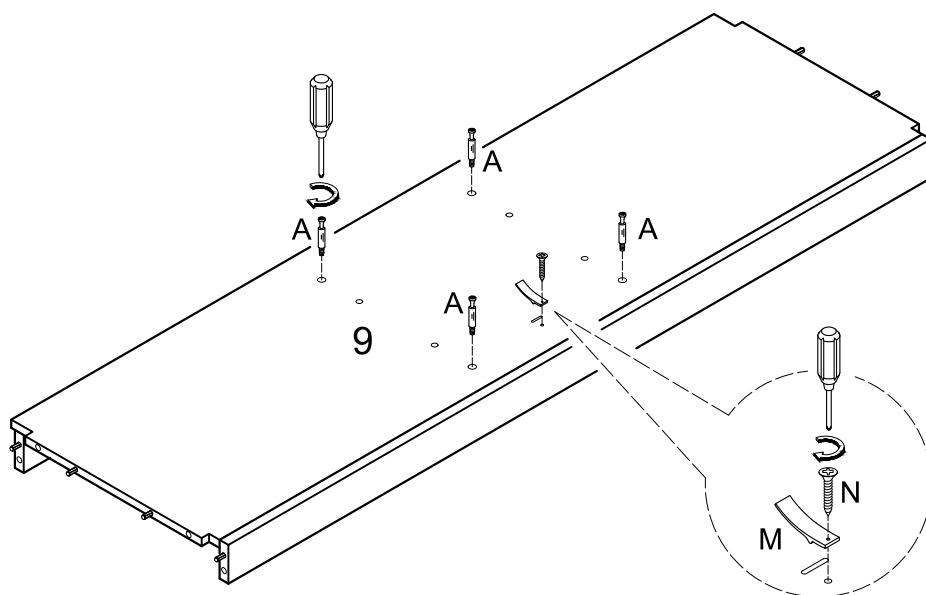


Note: Please don't over-tighten the cam lock, otherwise, it will be broken.



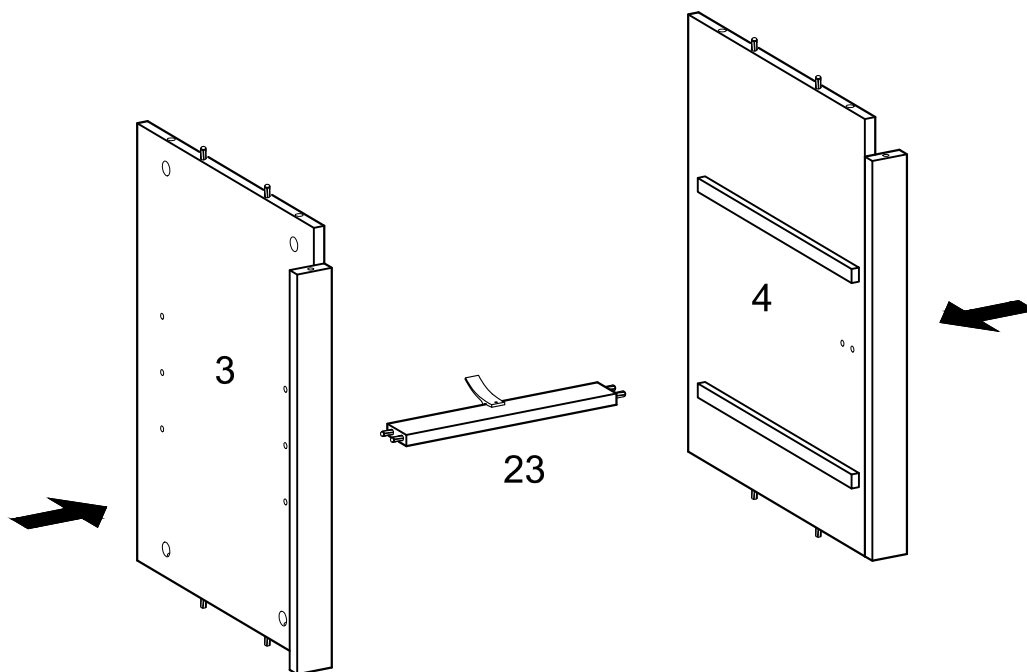
Using screw (P) attach part (10,11) to part (9), then use cam lock (C) secure parts (10,11) to parts (9) with Philips head screwdriver as per diagram.

Step 6



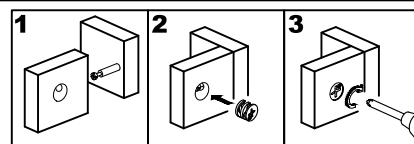
Secure cam bolt (A) into part (9), then use screw (N) secure shelf stopper (M) to parts (9) with Philips head screwdriver as per diagram.

Step 7

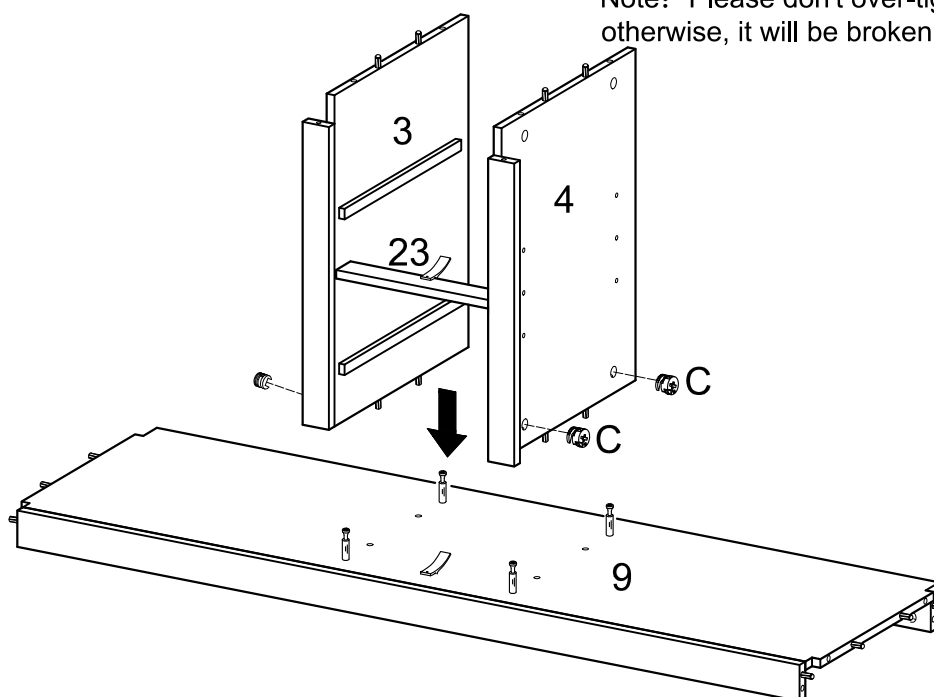


Attach part (23) to part (3,4) as per diagram.

Step 8

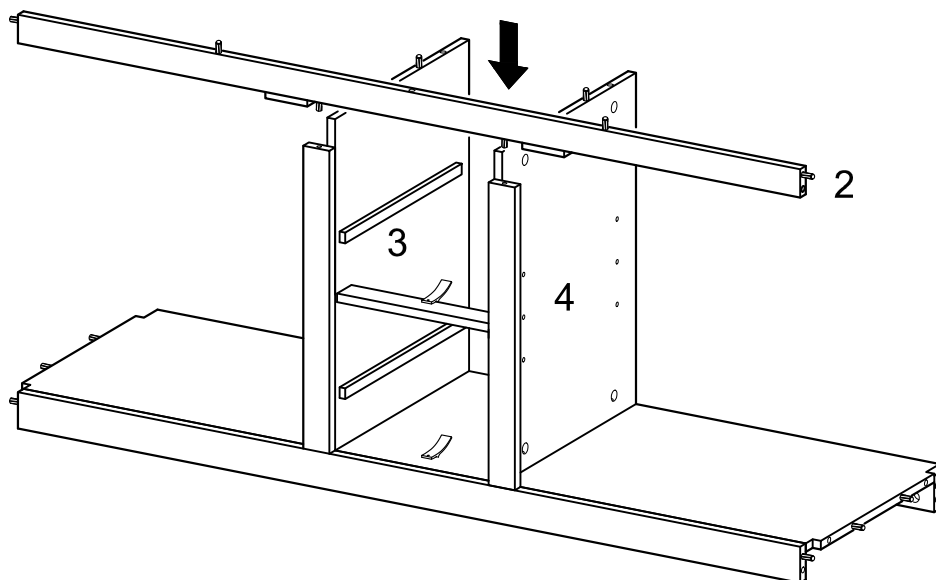


Note: Please don't over-tighten the cam lock, otherwise, it will be broken.



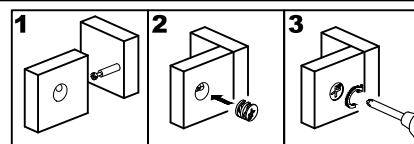
Place the assembly(3,4,23) to the part (9) carefully and secure it with cam locks (C) with Philips head screwdriver as per diagram.

Step 9

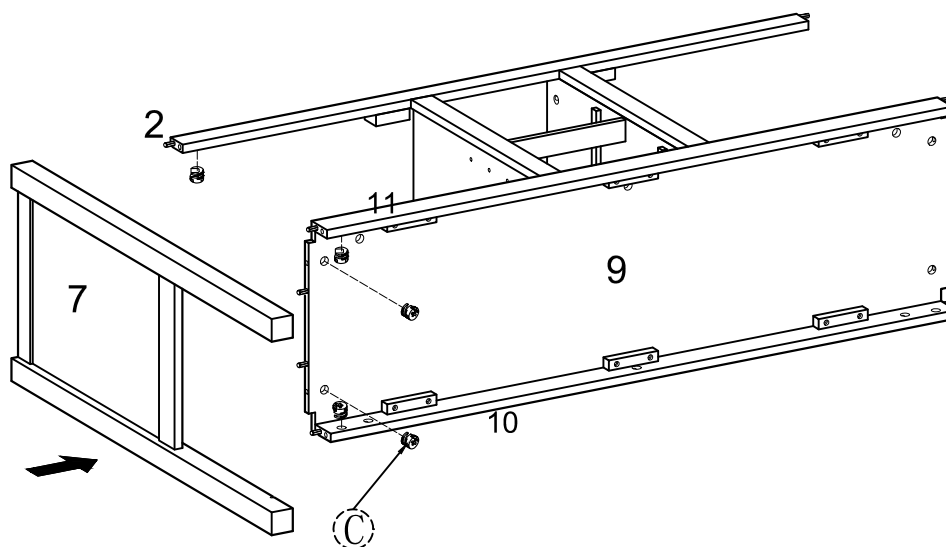


Place the part (2) to the assembly (3,4) carefully as per diagram.

Step 10

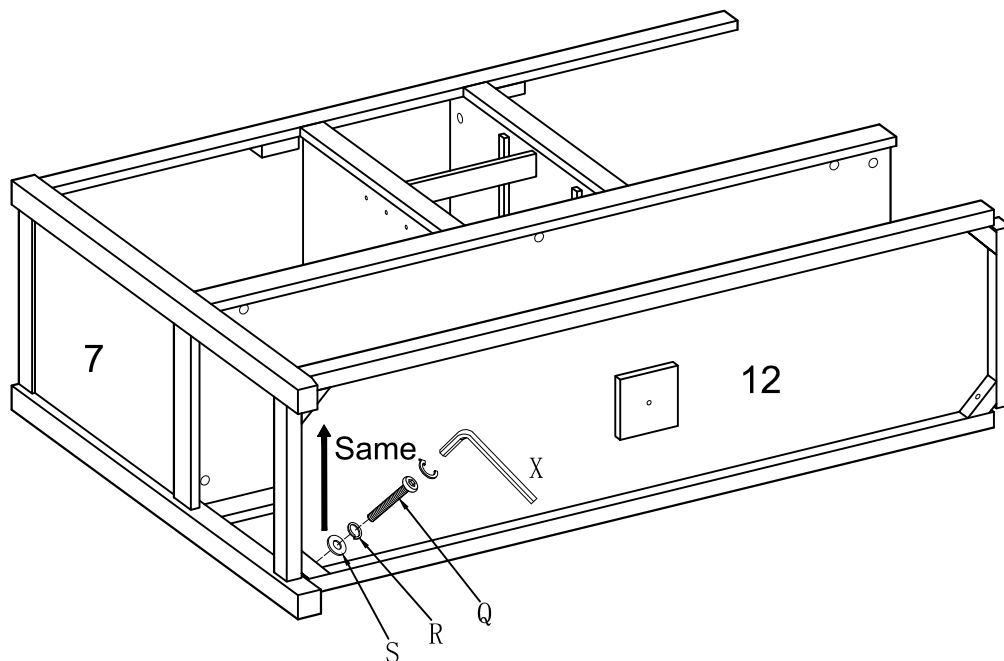


Note: Please don't over-tighten the cam lock, otherwise, it will be broken.



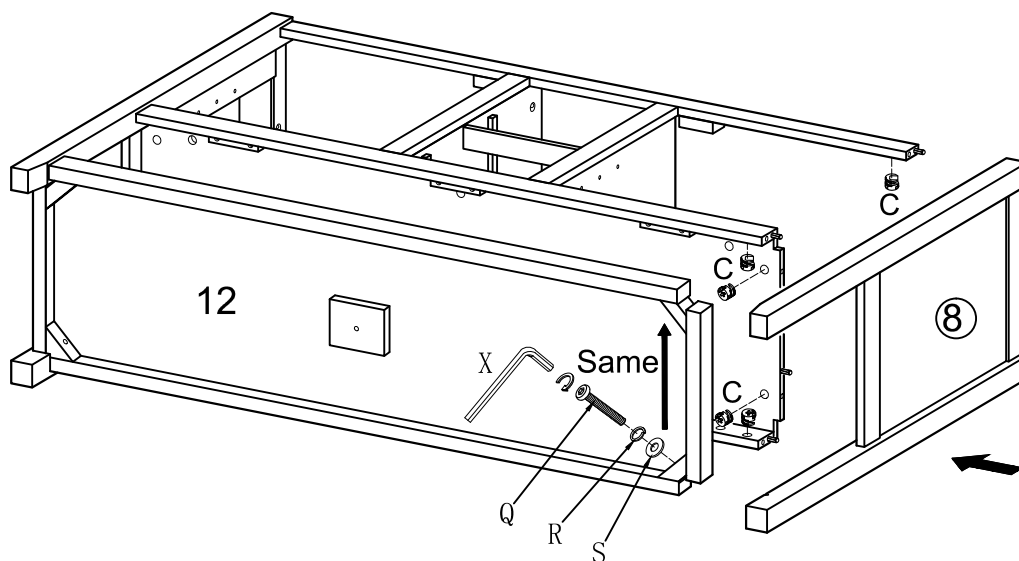
Assemble part (7) to the assembly (2,9) and secure it with cam locks (C) with Philips head screwdriver as per diagram.

Step 11



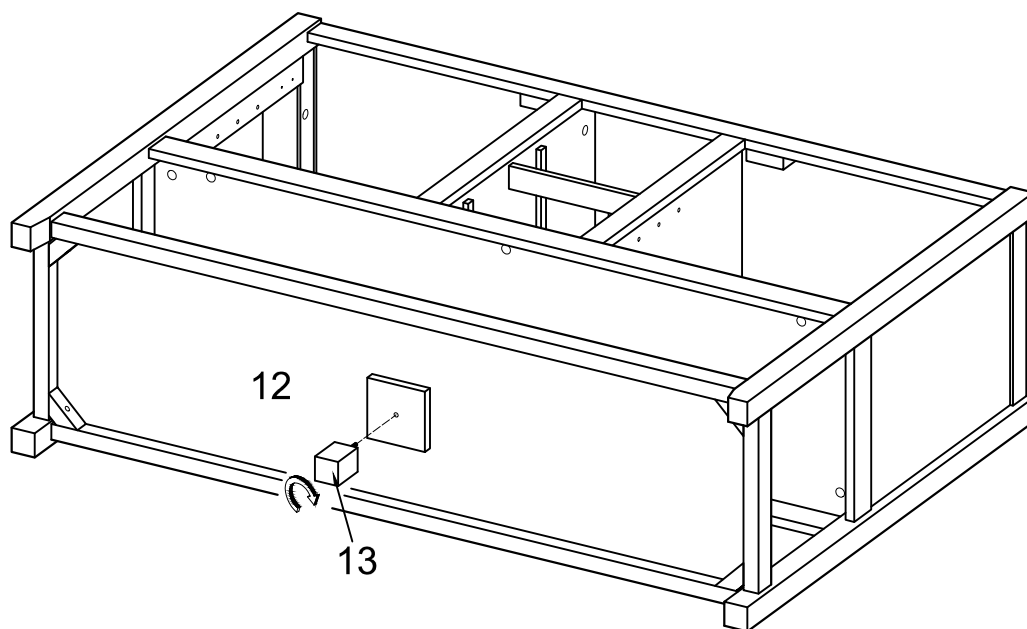
Assemble part (12) to the assembly (7) by using bolt (Q), spring washer (R) and flat washer with hex key (X) as per diagram.

Step 12



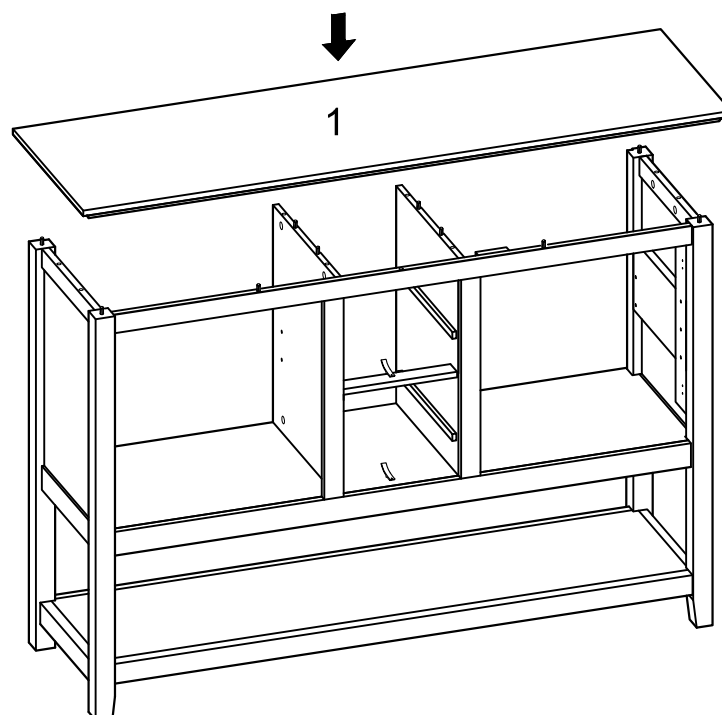
Assemble part (8) to the assembly and secure it with cam locks (C) with Philips head screwdriver, then secure part (8) to part (12) by using bolt (Q), spring washer (R) and flat washer with hex key (X) as per diagram.

Step 13



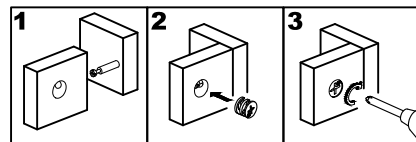
Screw support legs (13) into bottom panel (12).

Step 14

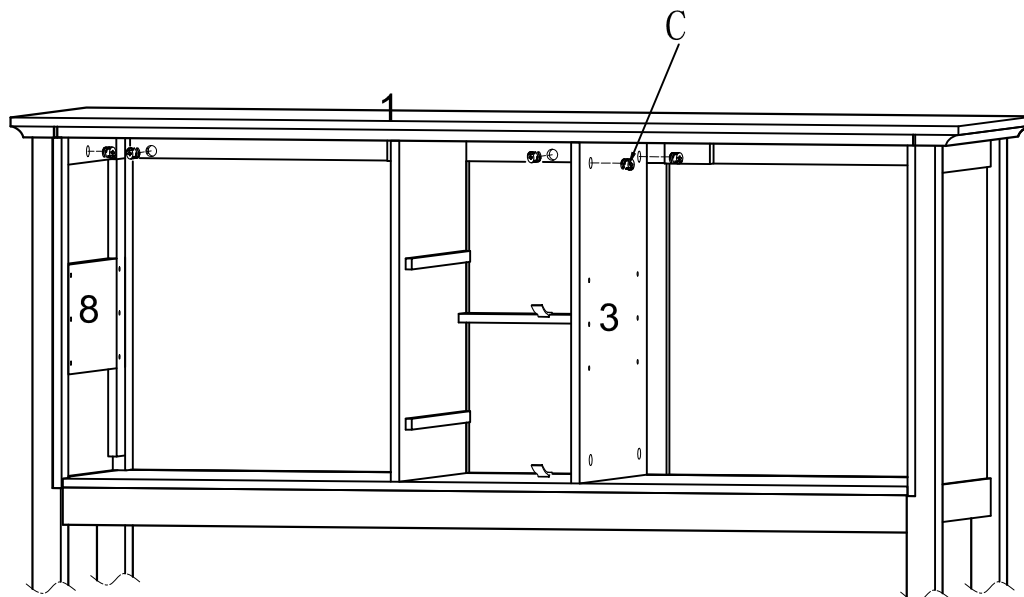


Place the top panel (1) on top of the assembly carefully as per diagram.

Step 15

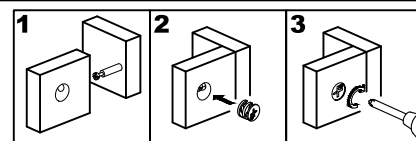


Note: Please don't over-tighten the cam lock, otherwise, it will be broken.

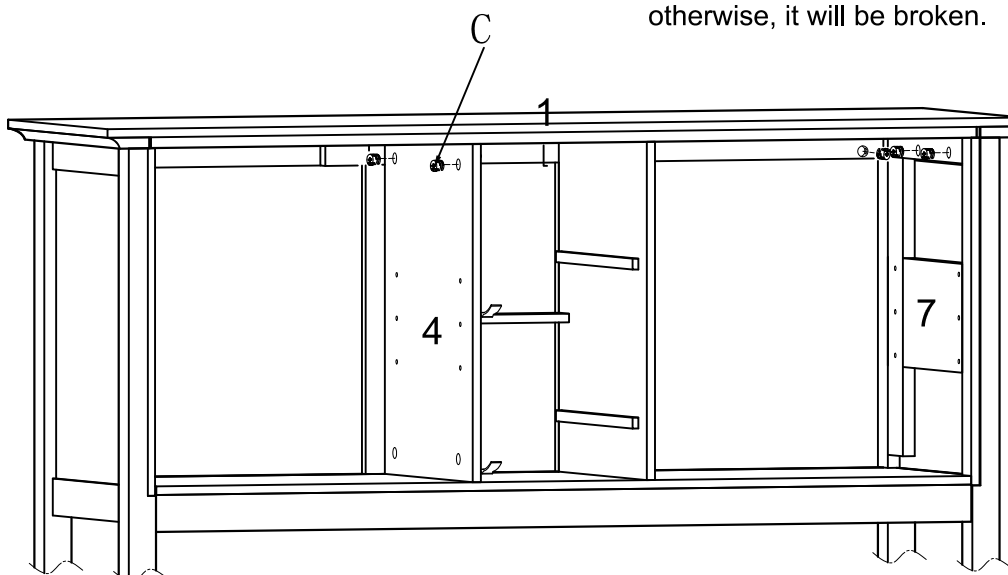


Secure the top panel (1) by cam locks (C) with Philips head screwdriver.

Step 16

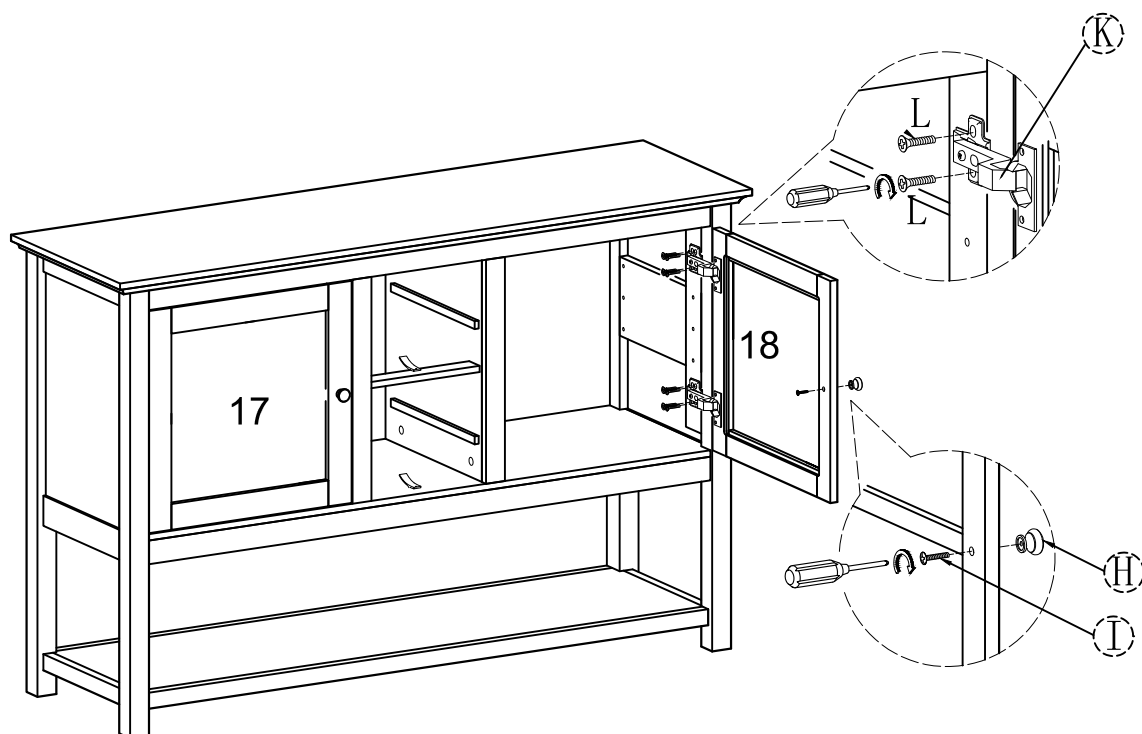


Note: Please don't over-tighten the cam lock, otherwise, it will be broken.



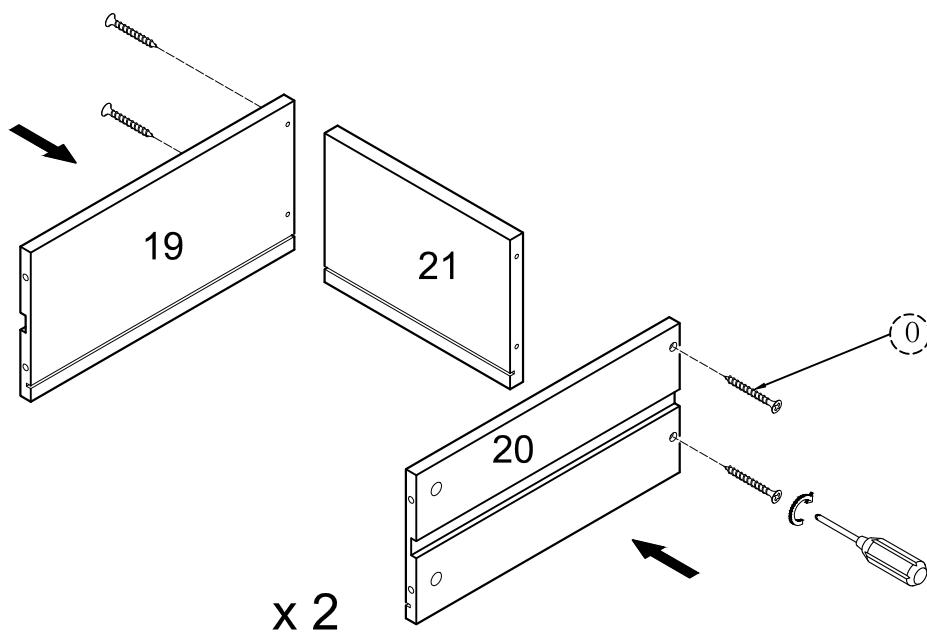
Secure the top panel (1) by cam locks (C) with Philips head screwdriver.

Step 19



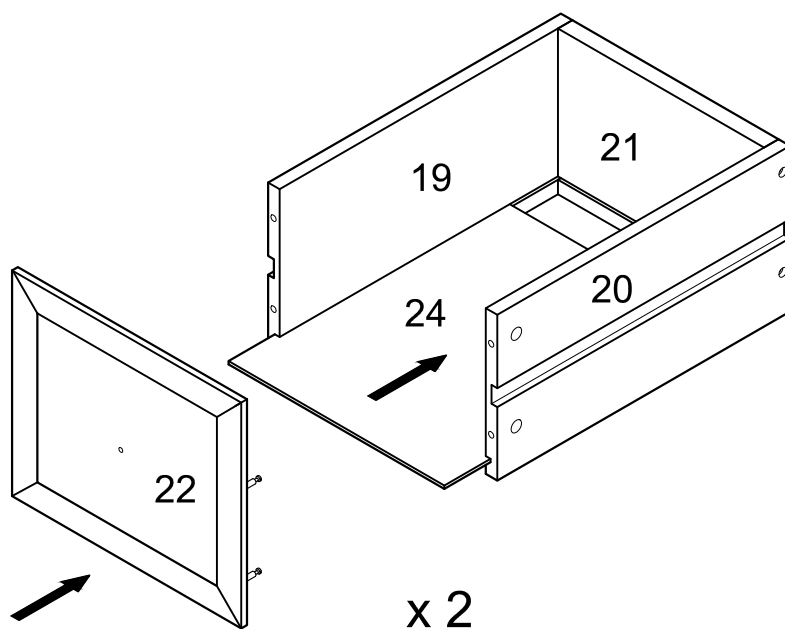
Use bolt (L) attach hinges (K) and use bolt (I) attach handle (H) into doors (17,18) with Philips head screwdriver as per diagram.

Step 20



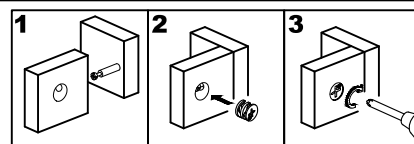
Secure part (19,20) to part (21) by using screw (o) with Philips head screwdriver as per diagram, repeat this step.

Step 21

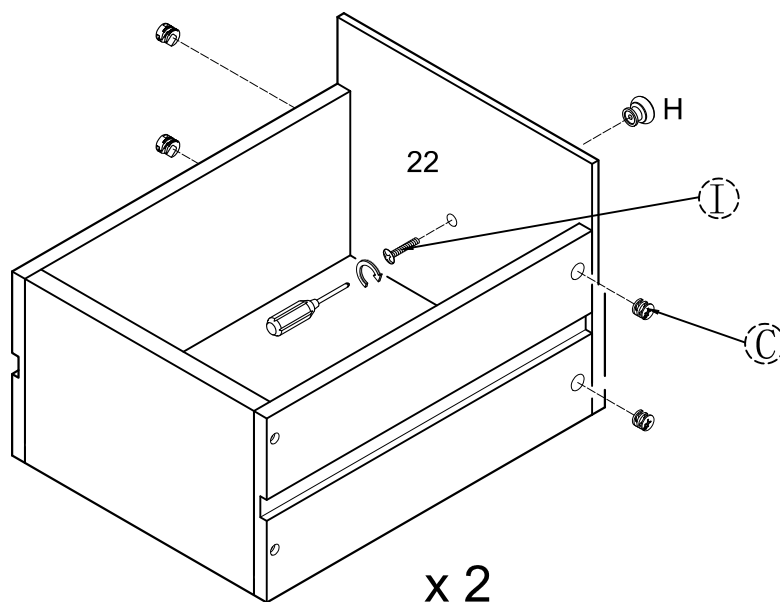


Slide drawer bottom panel (24) into grooves as per diagram carefully, and then attach part (22) the assembly. Repeat this step.

Step 22

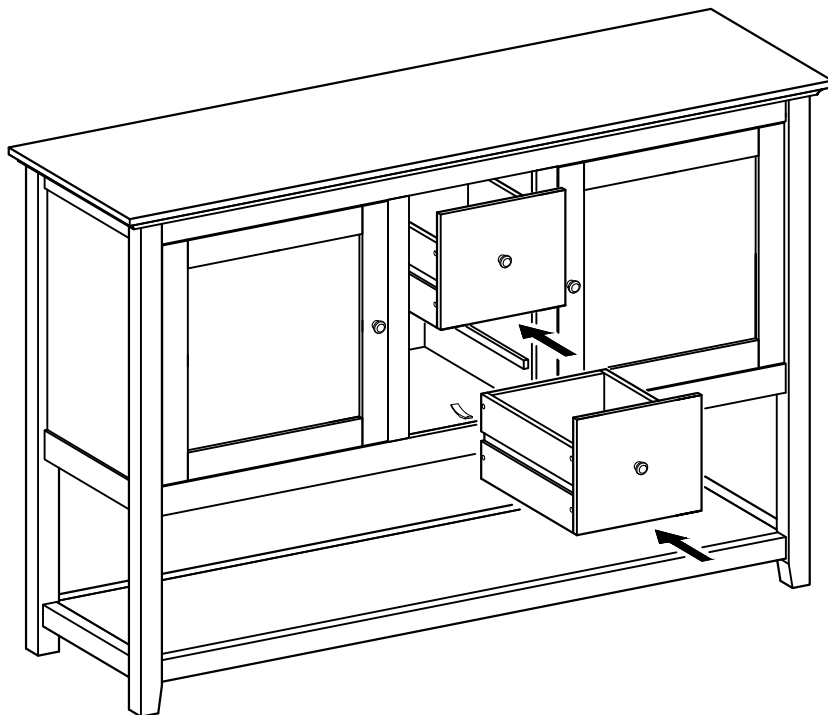


Note: Please don't over-tighten the cam lock, otherwise, it will be broken.



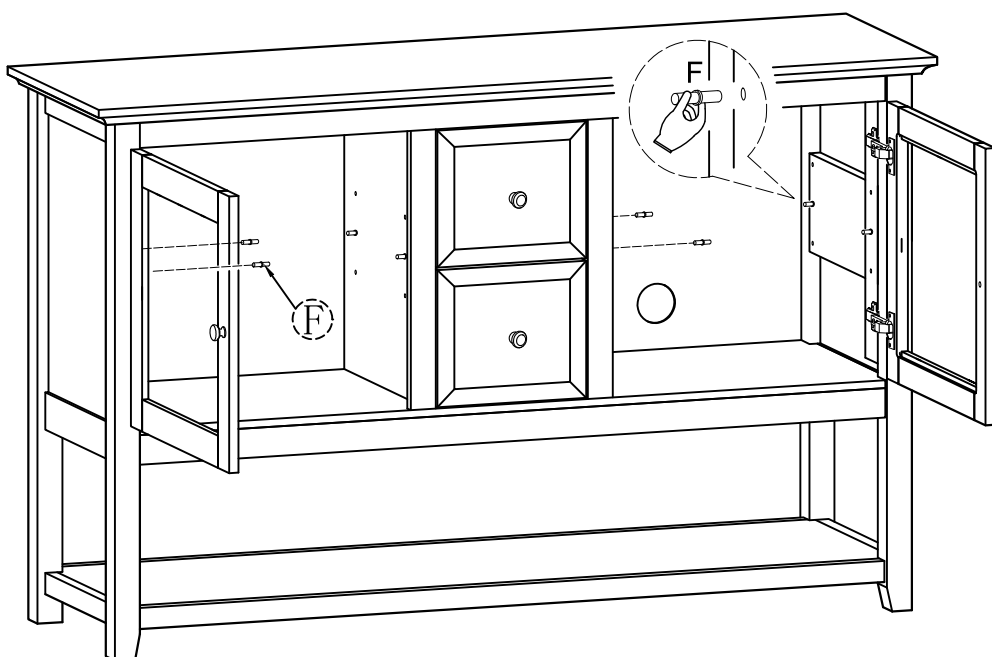
Using cam lock (C) secure part (22) to the assembly and using bolt (I) attach knob (H) into part (22) with Philips head screwdriver as per diagram. Repeat this step.

Step 23



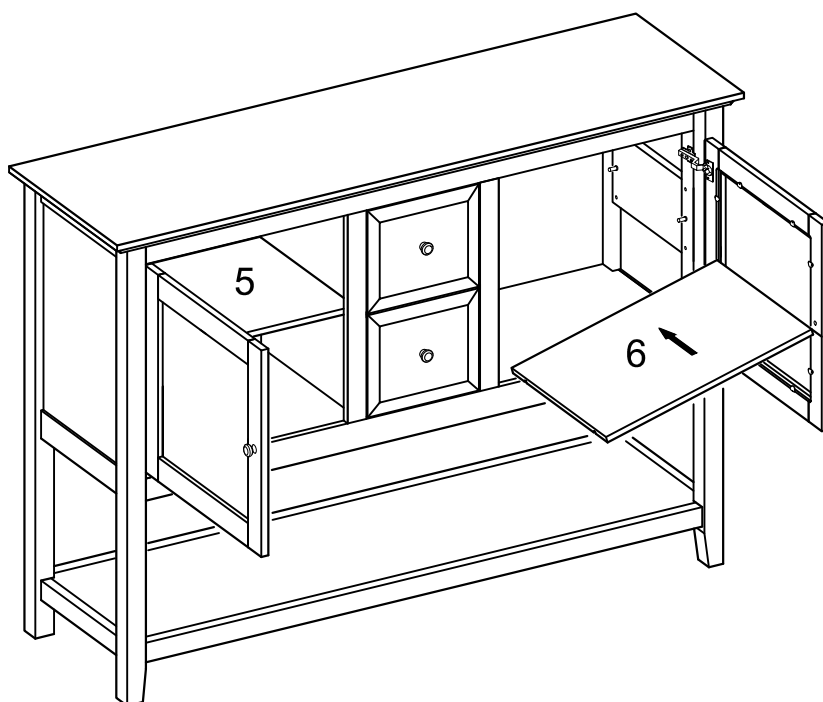
Insert the assembled drawers to the console carefully.

Step 24



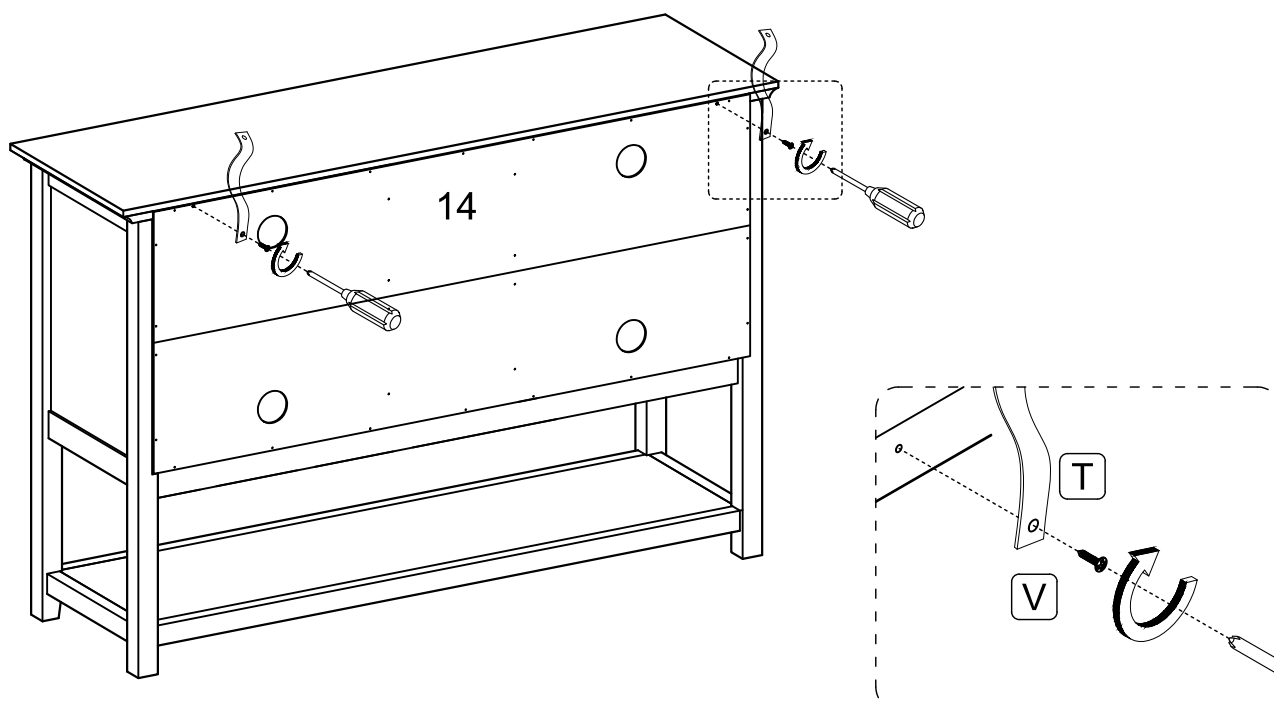
Inserts the shelf support pin (F) to the side panels at desired shelf heights.

Step 25



Carefully place shelves (5,6) on shelf support pins.

Step 26

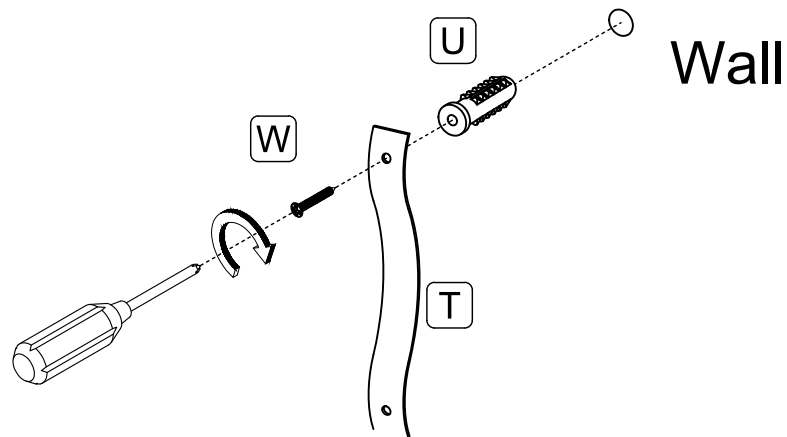


Using screw (V) attach strap (T) to part (14) with Philips head screwdriver as per diagram. Take out the wooden panel of the faux cable holes if necessary.

Step 27

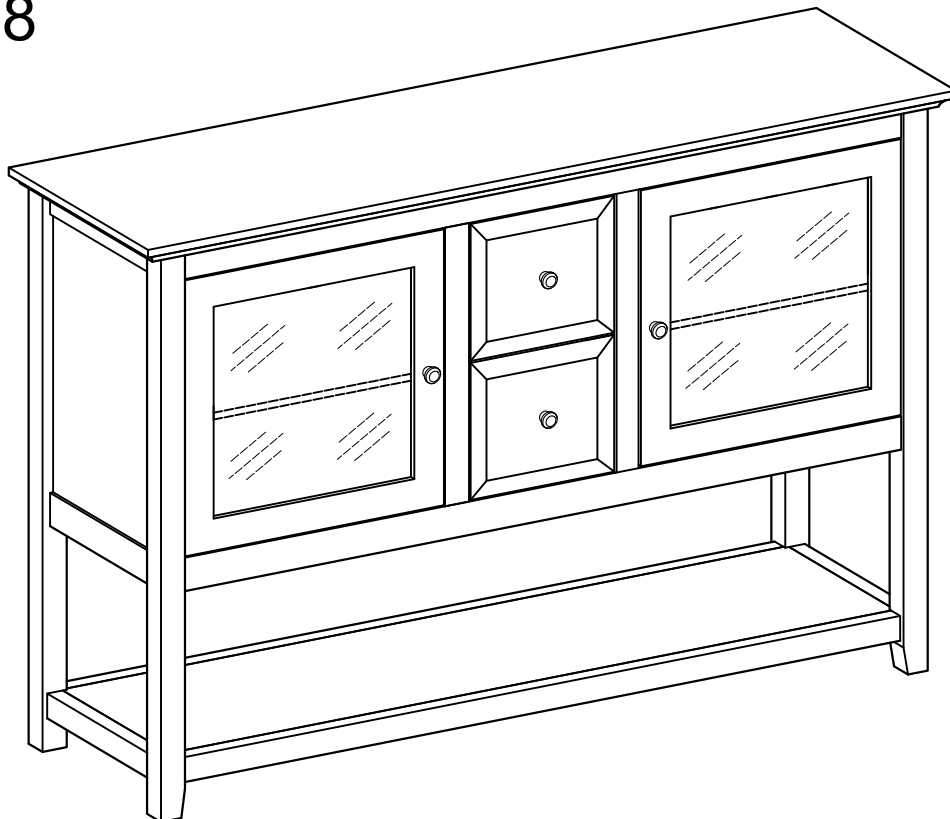
WARNING

Serious or fatal injuries can occur from furniture tipping over. To prevent the furniture from tipping over we recommend that it is permanently fixed to the wall. Wall anchor and hardware are included with this product. Please make sure hardware is suitable for your walls before installing, as different wall materials may require different types of anchors.



Using screw (W) attach strap (T) into nut (U) to wall with Philips head screwdriver as per diagram.

Step 28



Final Assembly

WARNING

DO NOT use outdoor

DO NOT exceed weight limit

DO NOT use this item unless all fixings are secured.

DO NOT push the item as this will damage the base.

The unit must be handled by at least 2 persons when moving in the same or adjacent rooms.

Before moving the unit, make sure to remove any object that is heavy or might fall off. Please note that lifting from the tabletop with too much weight on the product might lead to part damage/separation.

When lifting the unit, use both hands and bend your knees, not your backs.

When transporting the unit to places far away, protect and secure the unit to avoid damage in transit.

DO NOT expose the surfaces to direct sunlight or to extreme environmental conditions. Damages caused by this kind of exposure is not covered by the product's warranty.

DO NOT leave spilled liquid in the cabinet

DO NOT place hot or cold items directly onto the surface of the item as marking will occur.

Clean the surfaces preferable with a clean cloth damped in a solution of mild soap and water, then dry with a clean towel.