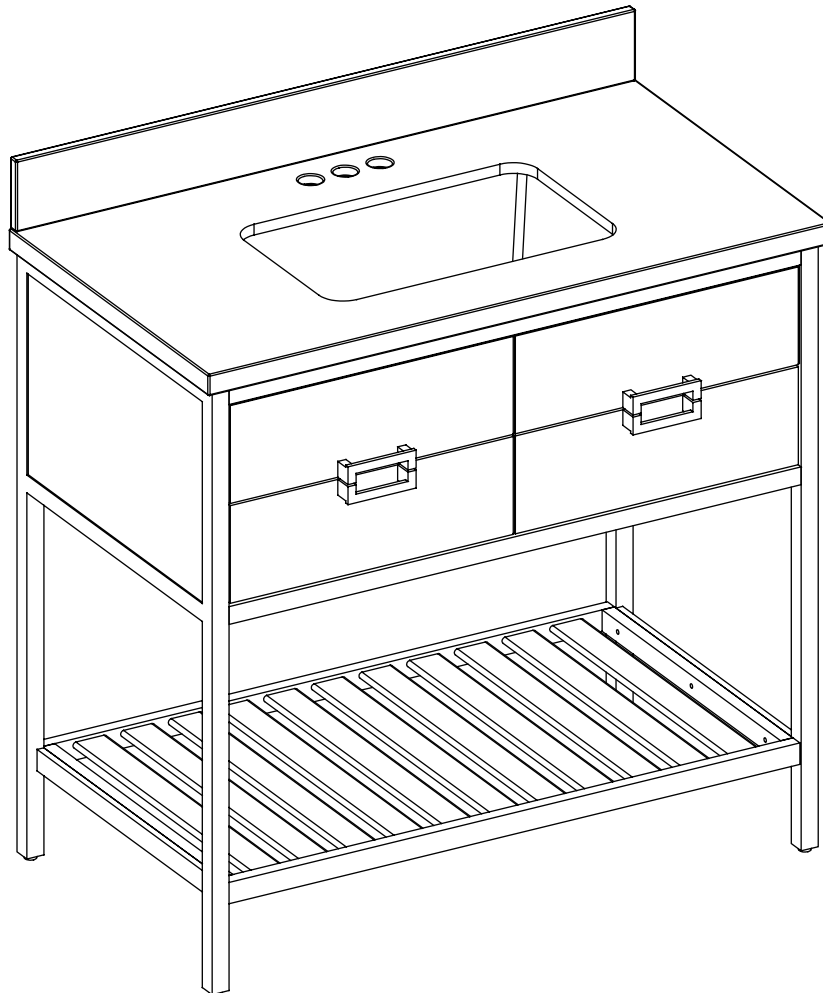


Vanity With Marble Top

Item No: WS20001WL



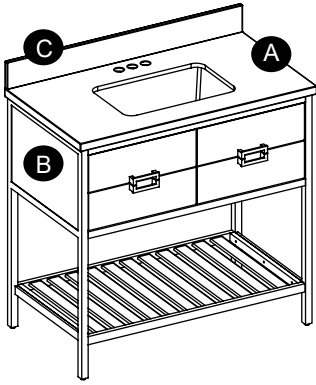
Thank you for Shopping with us!

We hope we were able to provide your home with the perfect vanity. This vanity has been constructed with design, quality and functionality in mind. We hope you enjoy this new addition!

Your feedback is invaluable to us and we would love to hear about your experience. Please take the time to leave us a review.

We encourage you to take a few minutes to go through this booklet. It contains important information on installation and care tips to keep your furniture looking as good as new.

PACKAGE CONTENTS



PART	DESCRIPTION	QUANTITY
A	Vanity Top (preassembled)	1
B	Vanity Base	1
C	Backsplash	1

PLEASE READ THOROUGHLY

Please read and understand this entire manual before attempting to assemble or install the WOODENSHINE product. Please look over the WOODENSHINE product for any damage before installation, if there is any damage to the product DO NOT install and contact the retailer. We suggest documenting the damage for your records.

WOODENSHINE suggests hiring a qualified plumber to connect the sink (included) and faucet (sold separately) to complete the installation of your product.

WOODENSHINE is not responsible for any of the plumbing hook up or backsplash installation.

⚠ SAFETY INFORMATION

⚠ WARNING ⚠

Do not stand on vanity. Use vanity on level ground. Base vanity supports a maximum weight of 200 lbs. Exceeding maximum weight limit will compromise the integrity of the vanity structure and could cause the vanity to fail. Do not hang from the vanity.

CARE AND MAINTENANCE

Quality wood furniture is a significant investment expected to last for a lifetime. To maintain its beauty and help it last, WoodenShine products need the right care. To protect and care for your furniture we suggest the following:

- Dust the vanity regularly with a soft, non-lint producing cloth or household dusting product. Clean the surface by wiping in the direction of the grain.
- You can clean the vanity with a gentle, non-abrasive household cleaner. Make sure to dry the wood immediately with a soft cloth or towel.
- The marble top can be cleaned using standard marble cleaning agents (sold separately).
- Tips for using touch-up pen (AA): For scratches, stroke in direction of scratch; for worn areas, stroke in direction of wood grain. Rub excess colorant promptly with a soft cloth.
- Avoid placing your WoodenShine furniture in direct sunlight, as sunlight may cause fading.
- Clean up spills immediately. Use blotting rather than wiping action. Water left over a long period of time will cause spots in the finish. Alcohol, perfume, after-shave, hair care products and medications can cause severe finish damage.

ONE-YEAR LIMITED WARRANTY

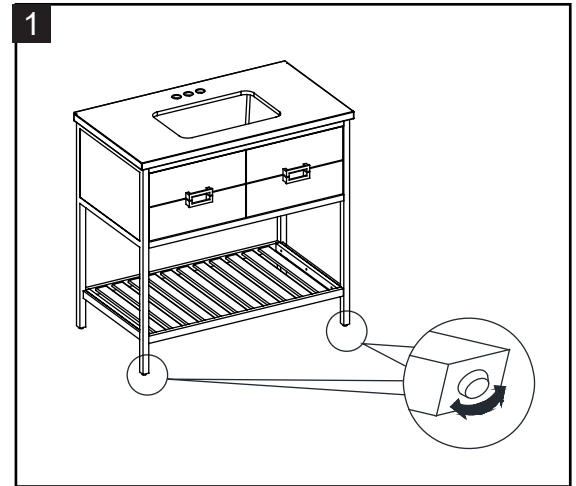
This WoodenShine product is warranted to the original purchaser. If there is a failure in this unit due to defects in materials or workmanship, the manufacturer will repair or replace this item at our discretion. Warranty is void if product has been assembled incorrectly, misused, abused by overloading, altered in any way or damaged due to accident. This warranty is not transferable and does not cover chipping, flaking, scratches, rust, dents, or other damages to the surfaces of this product. Responsibility of the manufacturer is limited to repair or replacement of this product. The manufacturer is not responsible for consequential, incidental, or other damages or losses resulting from product failure.

This warranty is in lieu of all other expressed warranties. Some states do not allow the exclusion or limitation of incidental or consequential damages, so the above limitation may not apply to you. This warranty gives you specific legal rights and you may have other rights which vary from state to state.

ASSEMBLY INSTRUCTIONS

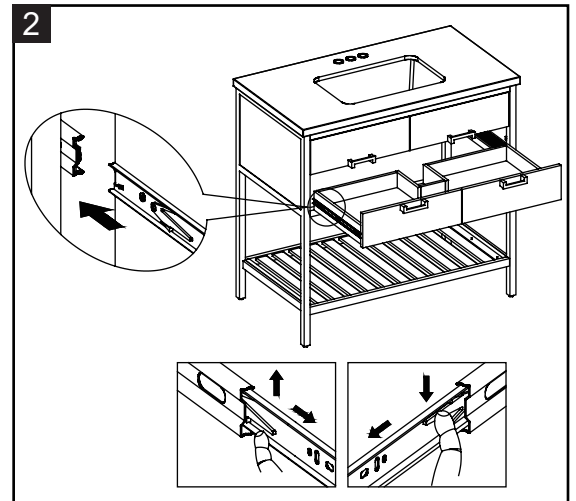
Adjusting Floor Levelers

- 1a. In case of uneven floors, floor levelers are provided at the bottom of the vanity. If necessary, adjust floor levelers by hand to correct tilting and/or level doors.



Removing Vanity Drawers

- 2a. Open the preassembled drawer as far as possible.
- 2b. Simultaneously press the right side spring clip downward and the left side spring clip upward.
- 2c. Once both spring clips are held in the indicated position, pull the drawer straight out.



Mount the Backsplash

- 3a. To mount the backsplash (C) to the wall, apply a thin bead of silicone compound (not included) to the unpolished back side and bottom of the backsplash (C). Position backsplash (C) as shown onto vanity top (A) and against the wall. Clean any excess silicone compound before allowing to dry.

