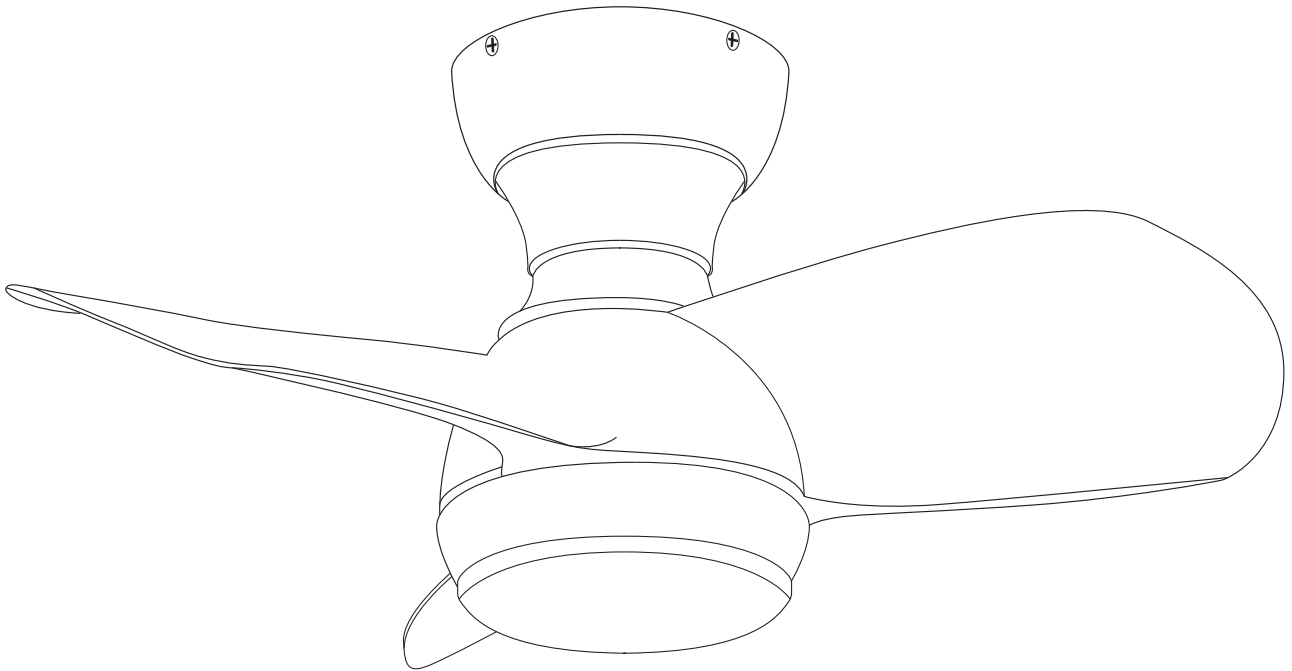


CEILING FAN

Installation manual



PLEASE READ AND SAVE THESE INSTRUCTIONS!

READ AND SAVE THESE INSTRUCTIONS

1. SAFETY RULES

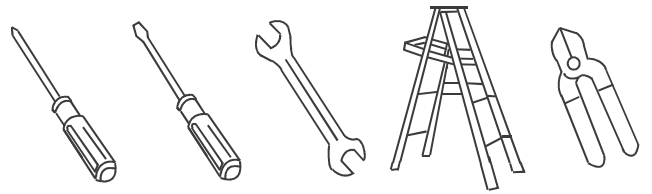
- To reduce the risk of electric shock, ensure electricity has been turned off at the circuit breaker or fuse box before beginning.
- All wiring shall be in accordance with the National Electric Code ANSI/NFPA70 and local codes. Electrical installation should be performed by a qualified licensed electrician.
- **WARNING: To Reduce The Risk Of Fire**
Or Electric Shock, Do Not Use This Fan With Any Solid-State Speed Control Device.
- **⚠ WARNING: TO REDUCE THE RISK OF FIRE, ELECTRIC SHOCK, OR PERSONAL INJURY, MOUNT TO OUTLET BOX MARKED “ACCEPTABLE FOR FAN SUPPORT OF 35 LBS OR LESS”, AND USE MOUNTING SCREWS PROVIDED WITH THE OUTLET BOX. MOST OUTLET BOXES COMMONLY USED FOR THE SUPPORT OF LIGHTING FIXTURES ARE NOT ACCEPTABLE FOR FAN SUPPORT AND MAY NEED TO BE REPLACED. CONSULT A QUALIFIED ELECTRICIAN IF IN DOUBT.**
- The fan must be mounted with a minimum of 7 feet clearance from the trailing edge of the blades to the floor
- Avoid placing objects in the path of the blades.
- To avoid personal injury or damage to the fan and other items, be cautious when working around or cleaning the fan.
- Do not use water or detergents when cleaning the fan or fan blades. A dry dust cloth or lightly dampened cloth will be suitable for most cleaning.
- After marking electrical connections, spliced conductors should be turned upward and pushed carefully up into outlet box. The wires should be spread apart with the grounded conductor and the equipment-grounding conductor on one side of the outlet box.
- Electrical diagrams are reference only. Light kits that are not packed with the fan must be UL or CUL Listed and marked suitable for use with the model fan you are installing. Switches must be UL or CUL General Use Switches. Refer to the Instructions packaged with the light kits and switches for proper assembly.

WARNING

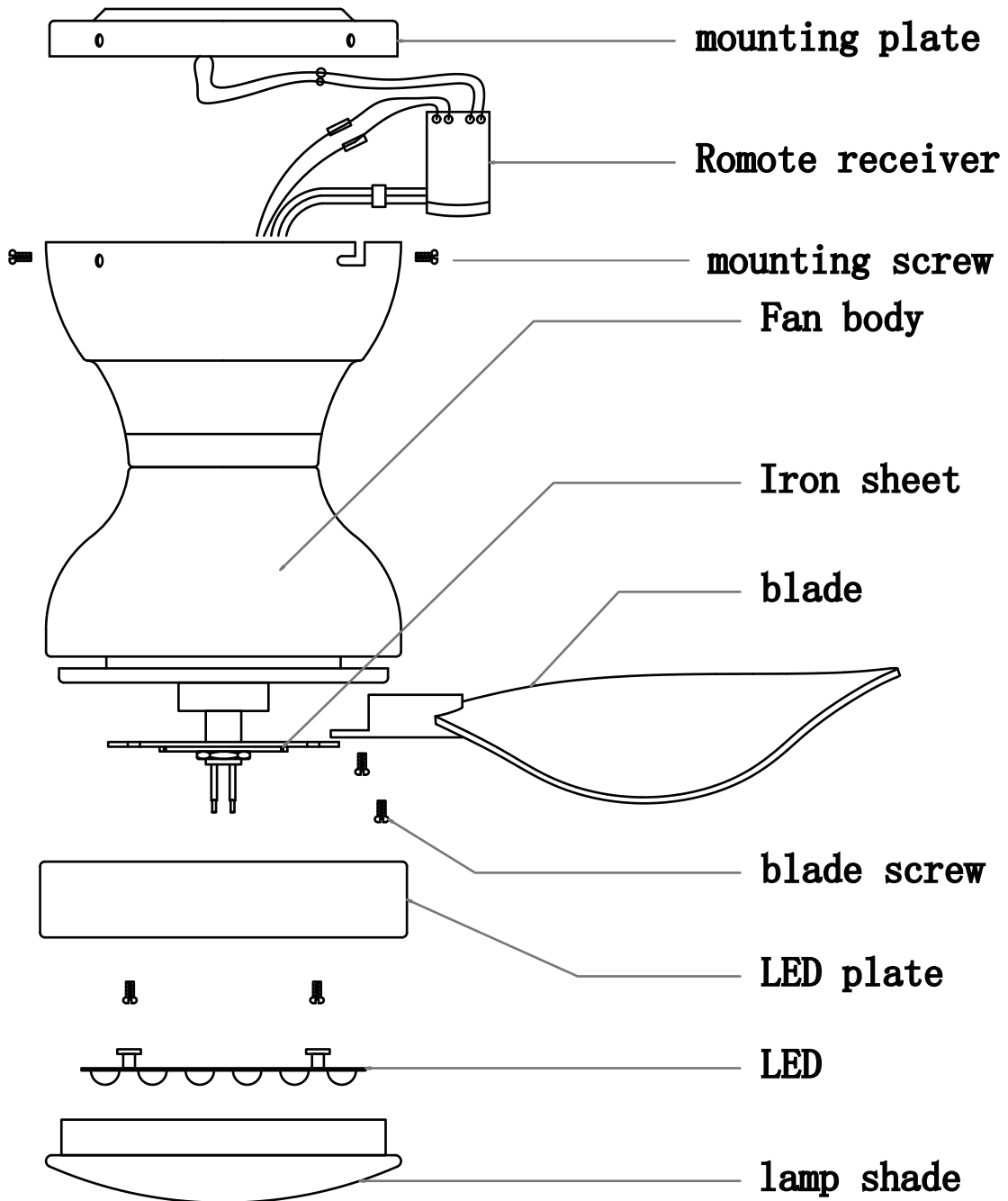
TO REDUCE THE RISK OF PERSONAL INJURY, DO NOT BEND THE BLADE BRACKETS WHEN INSTALLING THE BRACKETS, BALANCING THE BLADES, OR CLEANING THE FAN. DO NOT INSERT FOREIGN OBJECTS IN BETWEEN ROTATING FAN BLADES.

2. TOOLS AND MATERIALS REQUIRED

- Philips Screw Driver
- Blade Screw Driver
- 11 mm Wrench
- Step Ladder
- Wire Cutters



Assembly drawing and parts



• CEILING-MOUNTING INSTALLATION

① CHOICE OF INSTALLATION LOCATION

If there isn't an existing UL (CUL for Canadian Installation) listed mounting box, then read the following instructions:

Disconnect the power by removing fuses or turning off circuit breakers.

Secure the outlet box directly to the building structure. Use appropriate fasteners and building materials. The outlet box and its support must be able to fully support the moving weight of the fan (at least 50 lbs). Do not use plastic outlet boxes.

Figures 1 and 2 are examples of different ways to mount the outlet box.

NOTE: Depending on the location you have selected for installation, you may need to purchase and install a "Joist Hanger" for the support of the outlet box. Make sure the joist hanger you purchase has been designed for use with ceiling fans. (Fig. 3)

NOTE: ceiling-mounted installation should not be installed on a ceiling with inclined surfaces! (Fig. 4)

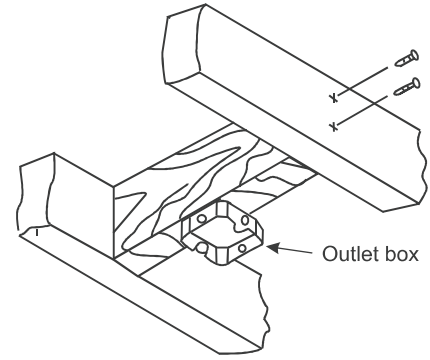


Fig. 1

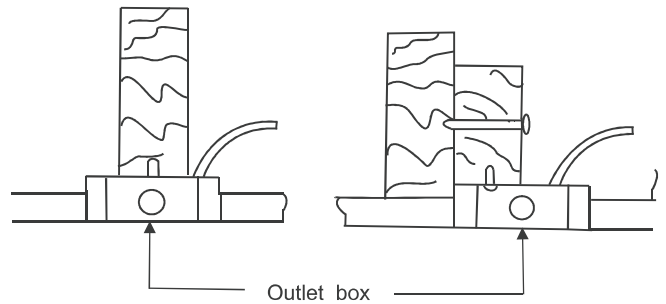


Fig. 2

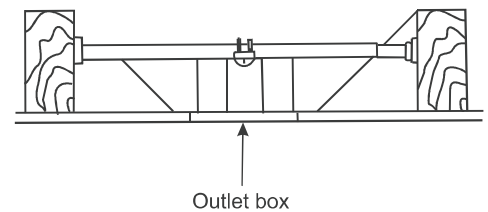


Fig. 3

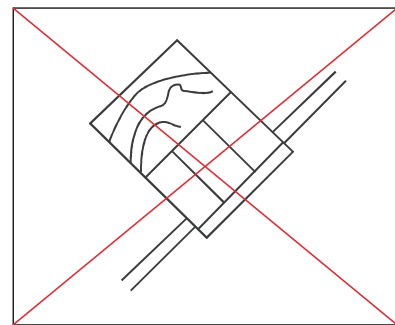


Fig. 4

② BRACKET INSTALLATION

REMEMBER to turn off the power. Follow the steps below to hang your fan properly.

NOTE:

This product only supports the "near ceiling installation" installation mode. The "close-to-ceiling" installation is recommended in rooms with less than 8-foot ceilings or in areas where additional space is desired from the floor to the fan blades.

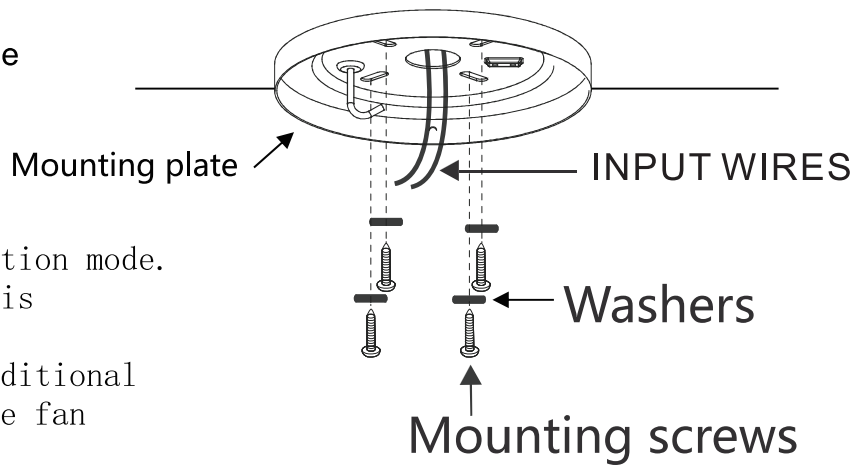
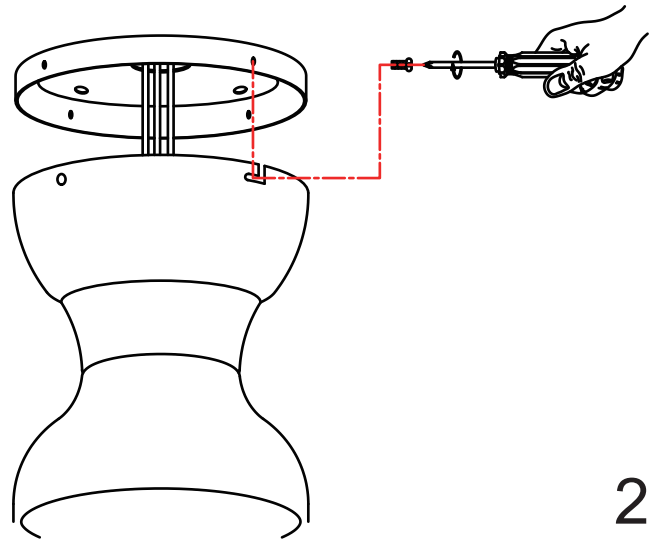
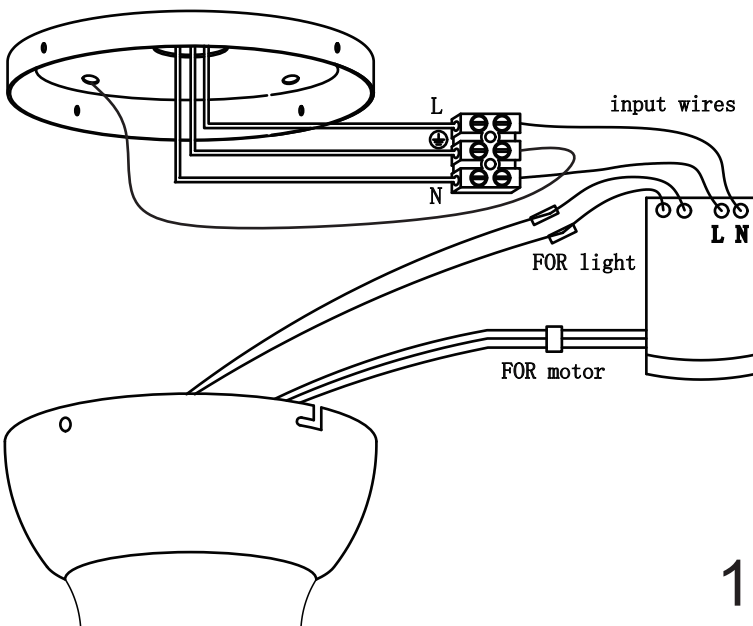


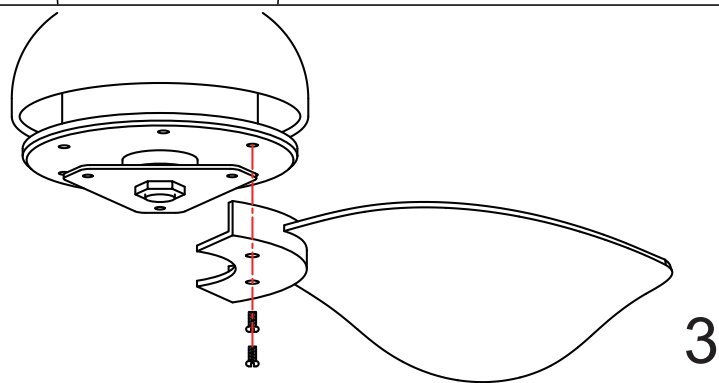
Fig. 5

③ SCHEMATIC DIAGRAM OF THE WHOLE MACHINE INSTALLATION



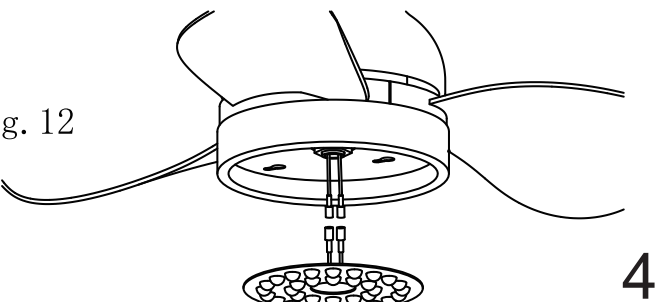
1

2

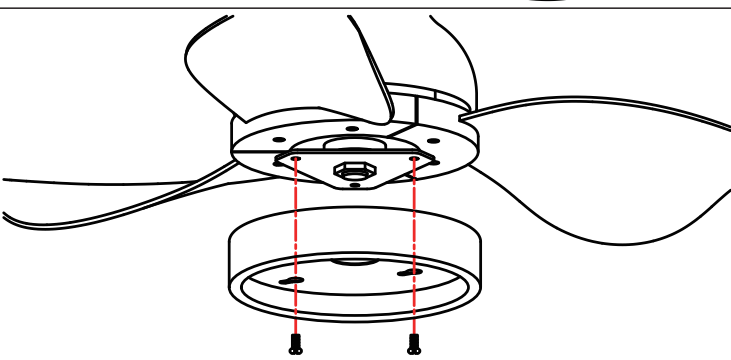


3

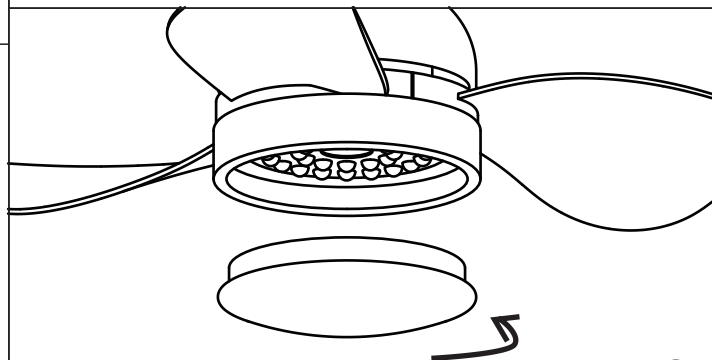
Fig. 12



4



5



6

Fig. 6

④ ELECTRIC CONNECTIONS

⚠ WARNING: To avoid possible electrical shock, be sure you have turned off the power at the main circuit panel. Follow the steps below to connect the fan to your household wiring. Use the wire connecting nuts supplied with your fan. Secure the connectors with electrical tape. Make sure there are no loose wire strands or connections.

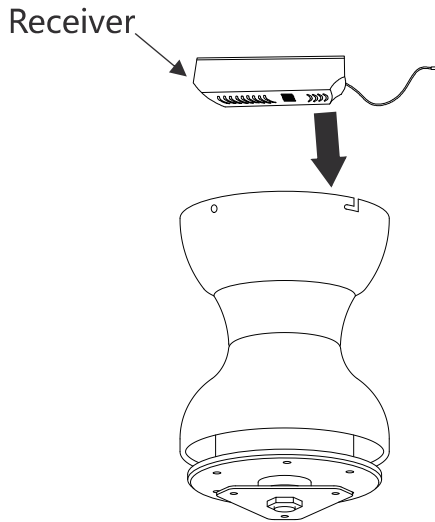


Fig. 7

Step 1. Receiver to Supply Wires Electrical Connections:

- Connect the black (fire) wire from the ceiling outlet box to the black wire on the receiver.
- Connect the white (neutral) wire from the ceiling outlet box to the white wire marked on the receiver. Secure each set of electrical connections with the plastic wire nuts provided in the parts bag.
- Connect the motor wire (3) from the receiver to the fan. Connect the light wire (blue and white wire) from the receiver to the fan. Ensure that the connection is OK.

Step 2. Connect the ground wire (green or bare copper) from the outlet box to the ground wire on the ceiling mounting bracket and the ground wire from the ceiling fan.

After making all connections, separate the white and green wire connections to one side and the black wire connections to the other side of the outlet box.

NOTE: Fan must be installed at a maximum distance of 30 feet from the Hand Held Remote Transmitter for optimal signal transmission between the transmitter and the fan's receiving unit.

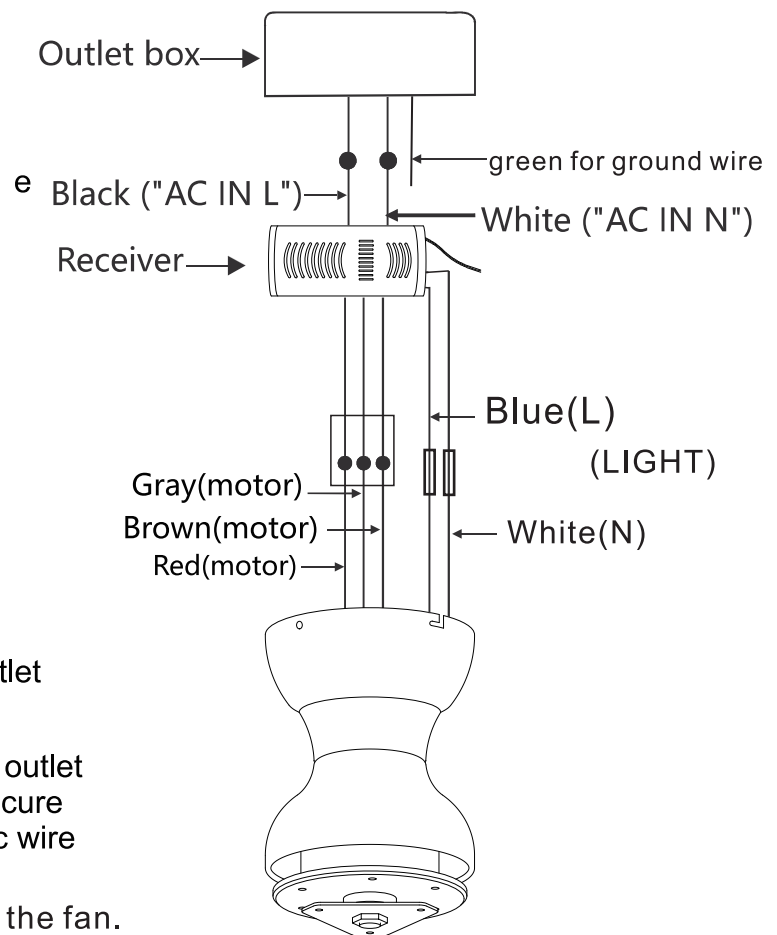


Fig. 8

⑤ TROUBLESHOOTING

Fan will not start:

1. Check circuit fuses or breakers
2. Check all electrical connections to ensure proper contact.
CAUTION: Make sure the main power is OFF when checking any electrical connection.
3. If the receiver makes a dripping sound or the light is on after power on, please pair the remote control according to the pairing method

Noisy Operation:

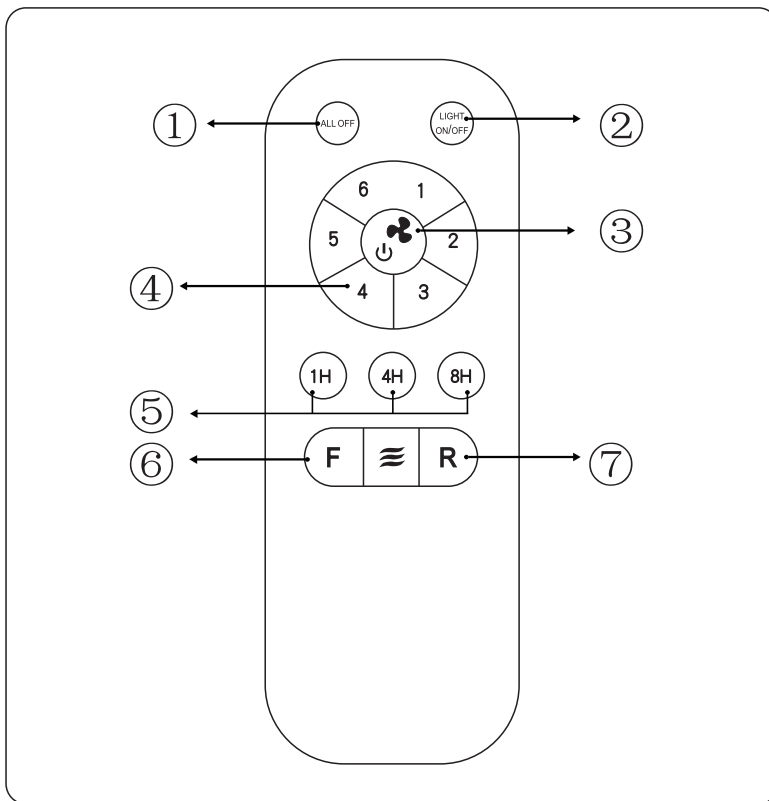
1. Make sure all motor housing screws are snug.
2. Make sure the screws that attach the fan blade brackets to the motor are tight.
3. Ensure that the upper side of the fan blade does not touch the motor cover and the lower side does not touch the bottom cover
CAUTION: Make sure main power is OFF.
4. Allow a 24-hour "breaking-in" period. Most noise associated with a new fan disappear during this time.
5. If using an optional light kit, make sure the screws securing the glassware are tight. Check that the light bulb is also secure.
6. Some fan motors are sensitive to signals from solid-state variable speed controls. If you have installed this type of control, choose and install another type of control.
7. Make sure the upper canopy is a short distance from the ceiling. It should not be touch the ceiling.

Excessive Wobbling:

1. Check that all blade and blade arm screws are secure.
2. Most fan wobbling problems are caused when blade levels are unequal. Check this level by selecting a point on the ceiling above the tip of one of the blades. Measure this distance. Rotate the fan until the next blade is positioned for measurement. Repeat for each blade. The distance deviation should be equal within 1/8".
3. Use the enclosed Blade Balancing Kit if the blade wobble is still noticeable.
4. If the blade wobble is still noticeable, interchanging two adjacent (side by side) blades can redistribute the weight and possibly result in smoother operation.

WARNING: TO REDUCE THE RISK OF PERSONAL INJURY, DO NOT BEND THE BLADE ARM WHILE INSTALLING, BALANCING THE BLADES, OR CLEANING THE FAN. DO NOT INSERT FOREIGN OBJECTS BETWEEN ROTATING FAN BLADES.

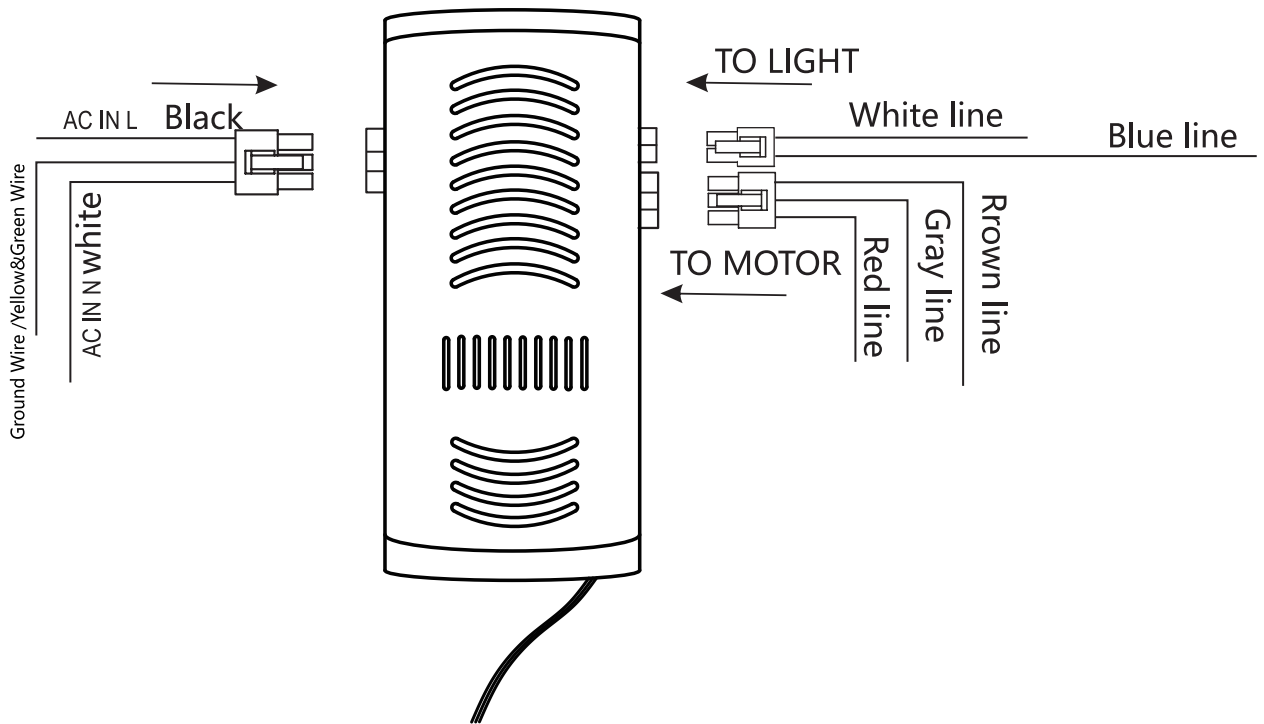
REMOTE CONTROL WIRING DIAGRAM



- ① ALL OFF: Turn off the lights and fans at the same time
- ② Light on/off
- ③ Fan on/off
- ④ Regulating fan wind speed
- ⑤ Timer : It will turn off the light and the fan when the time is over
- ⑥ Fan forward rotation
- ⑦ Fan reversal


Note : the remote control must match the same code receive.

WIRING SCHEMATIC DIAGRAM FOR RECEIVER



line color of for motor or for light Refer to the actual product
Ensure all connections are accurate and reliable

Pairing Methods

After turning on the power switch, you can hear a beep, and immediately press the "  " key in the upper left corner of the remote control. When a long beep is heard, the remote control pairing is successful.

Tips: Please ensure to follow the above steps and the entire process must be completed within 30 seconds after the power is on. If the pairing is unsuccessful, please power off the fan for 10 seconds. After power on, please follow the above