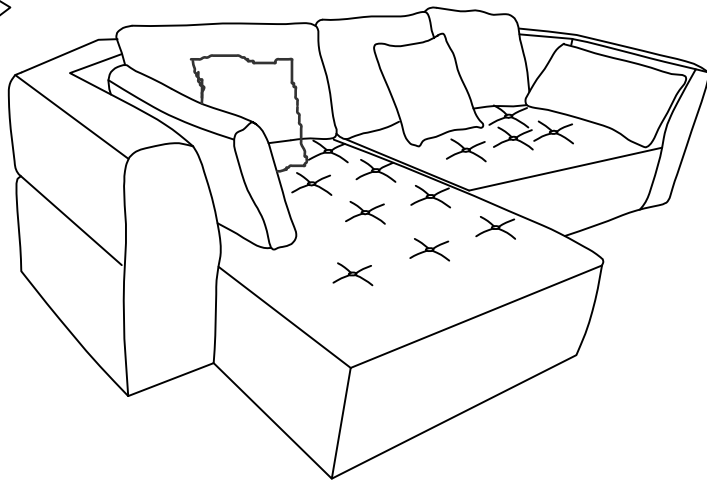
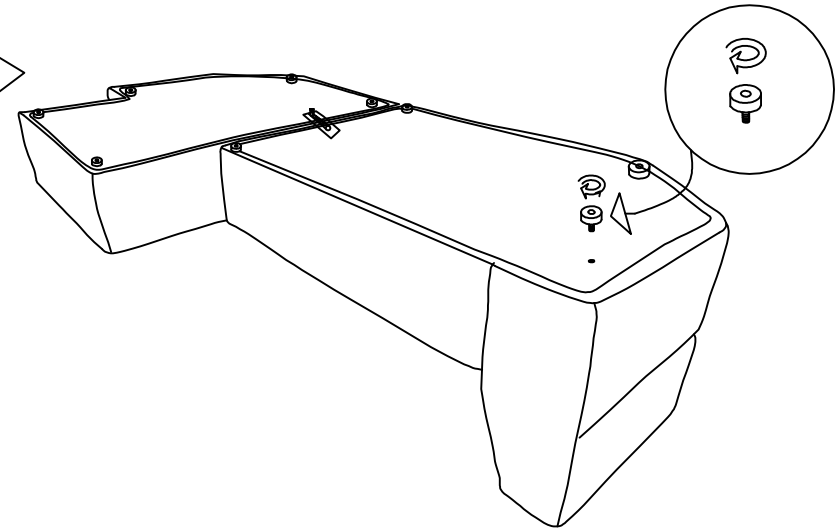


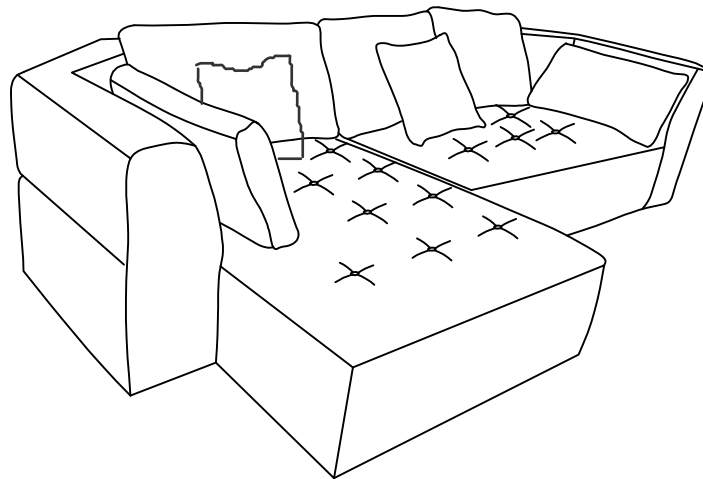
01



02



03



W876S00133

A



9:PCS