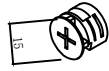
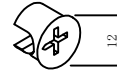


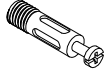
A X 32



N X 8



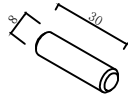
B X 32



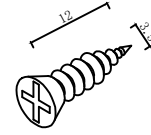
O X 2



C X 20



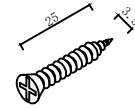
P X 12



D X 8



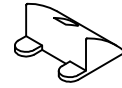
Q X 8



E X 32



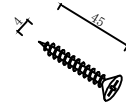
R X 4



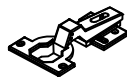
F X 18



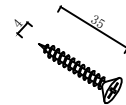
S X 5



G X 4



W X 4



H X 36



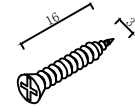
X X 2



I X 8



Y X 8



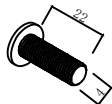
J X 4



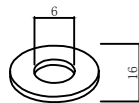
Z X 2



K X 4

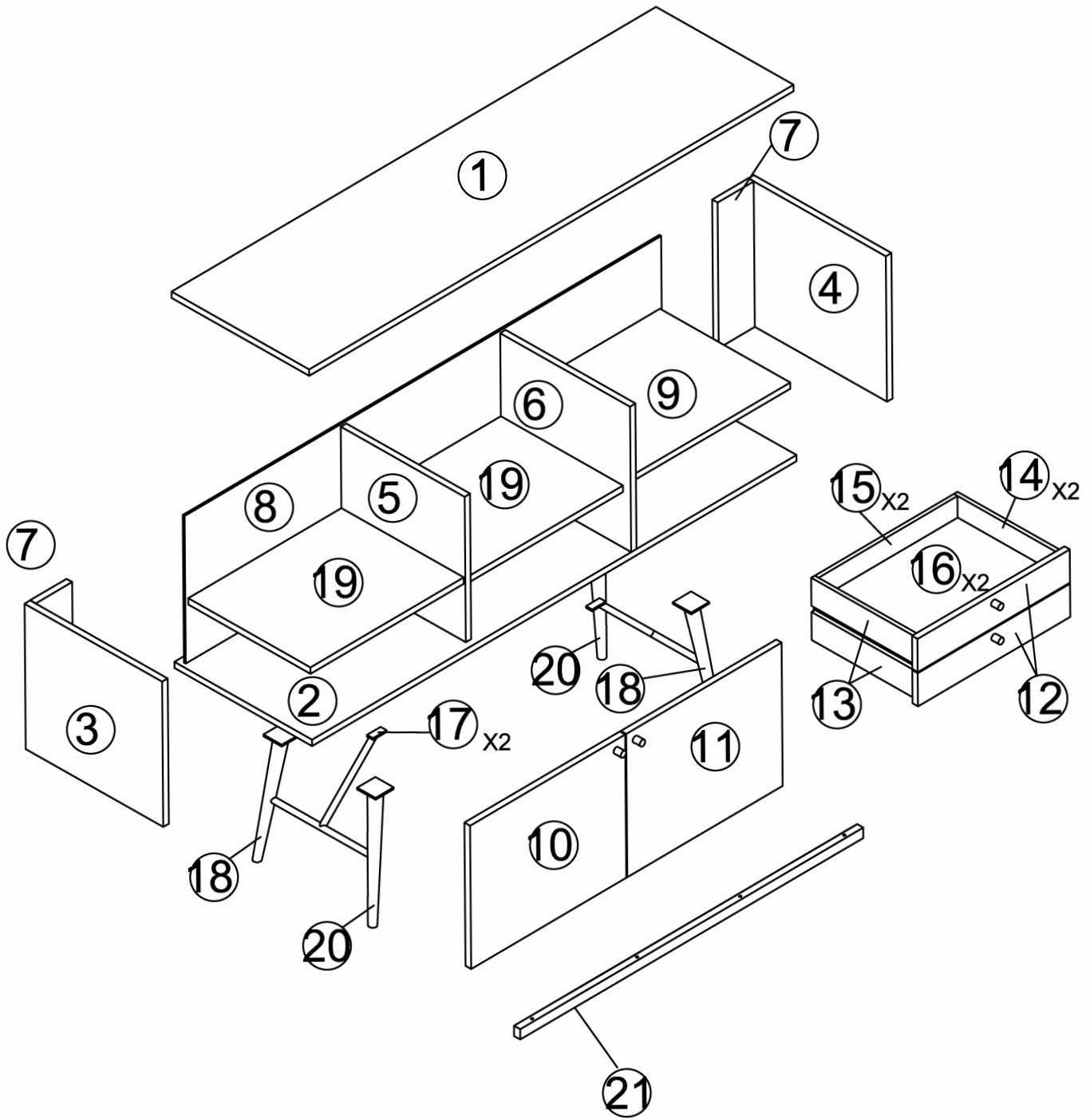


L X 2



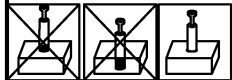
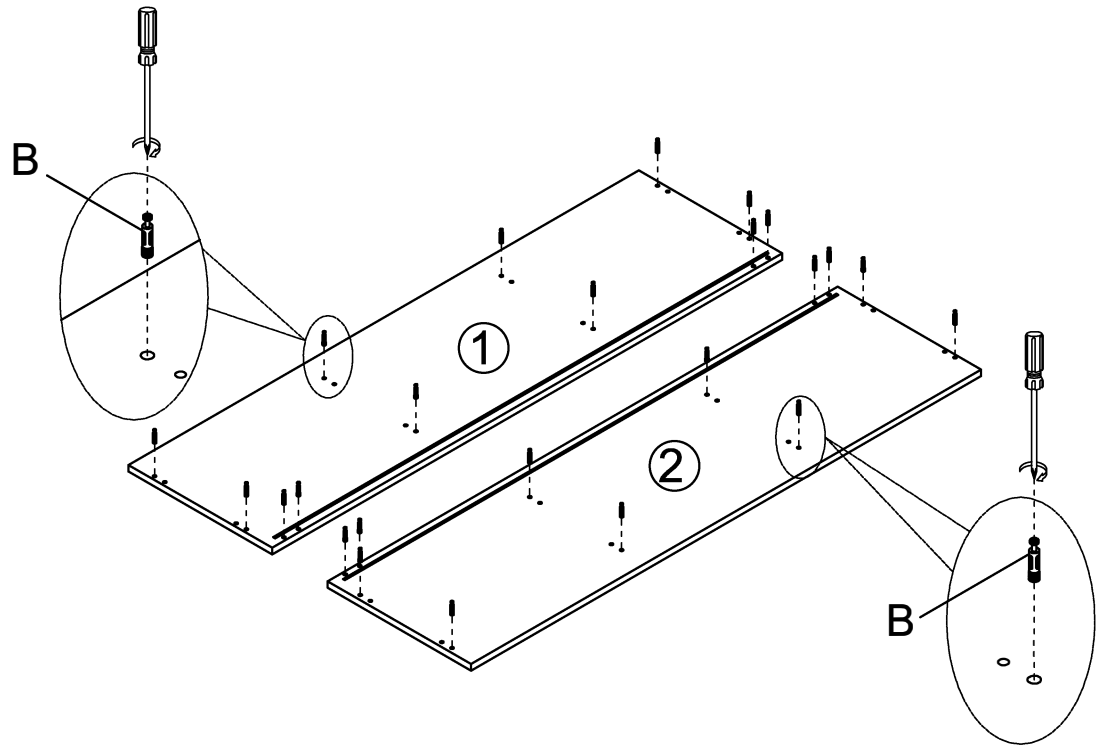
M X 1





1

B X 24



2

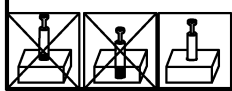
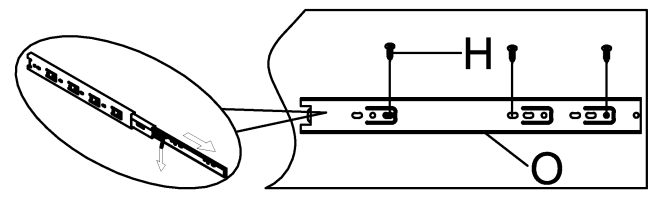
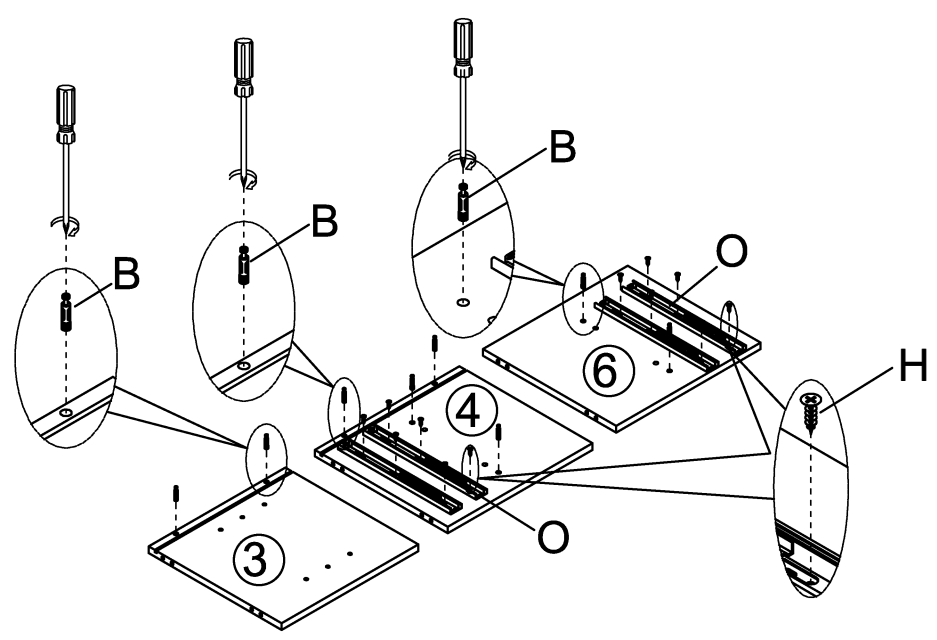
B X 8



H X 12



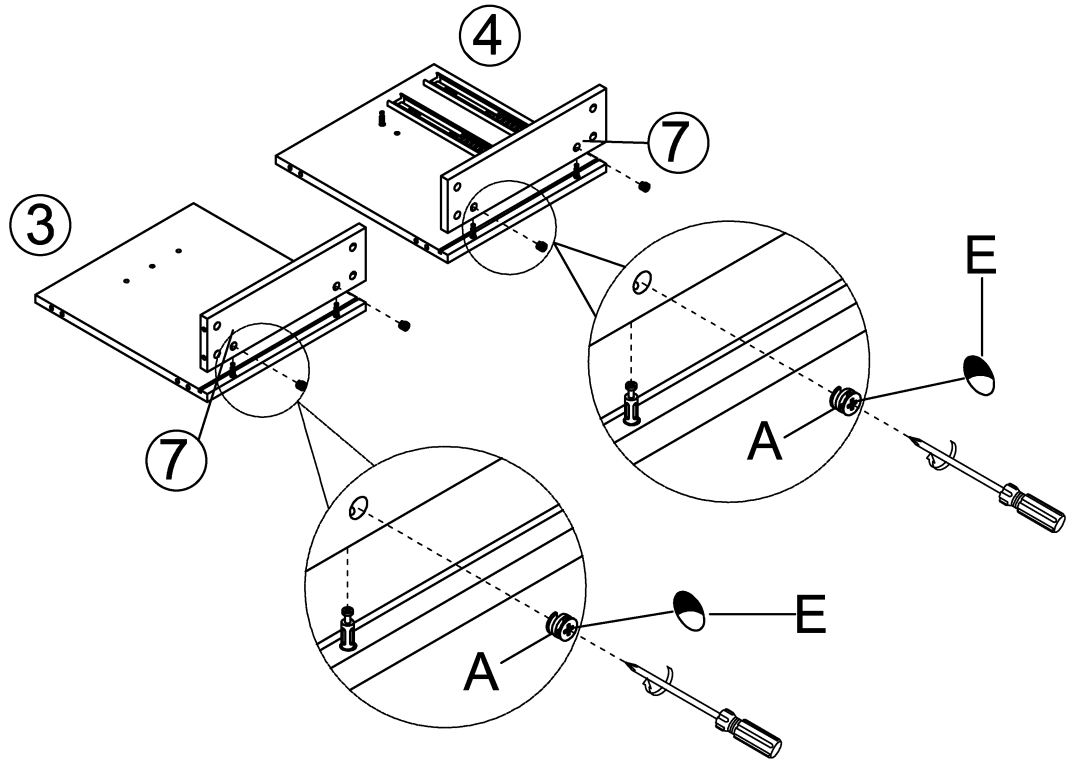
O X 2



3

AX4 

EX4 

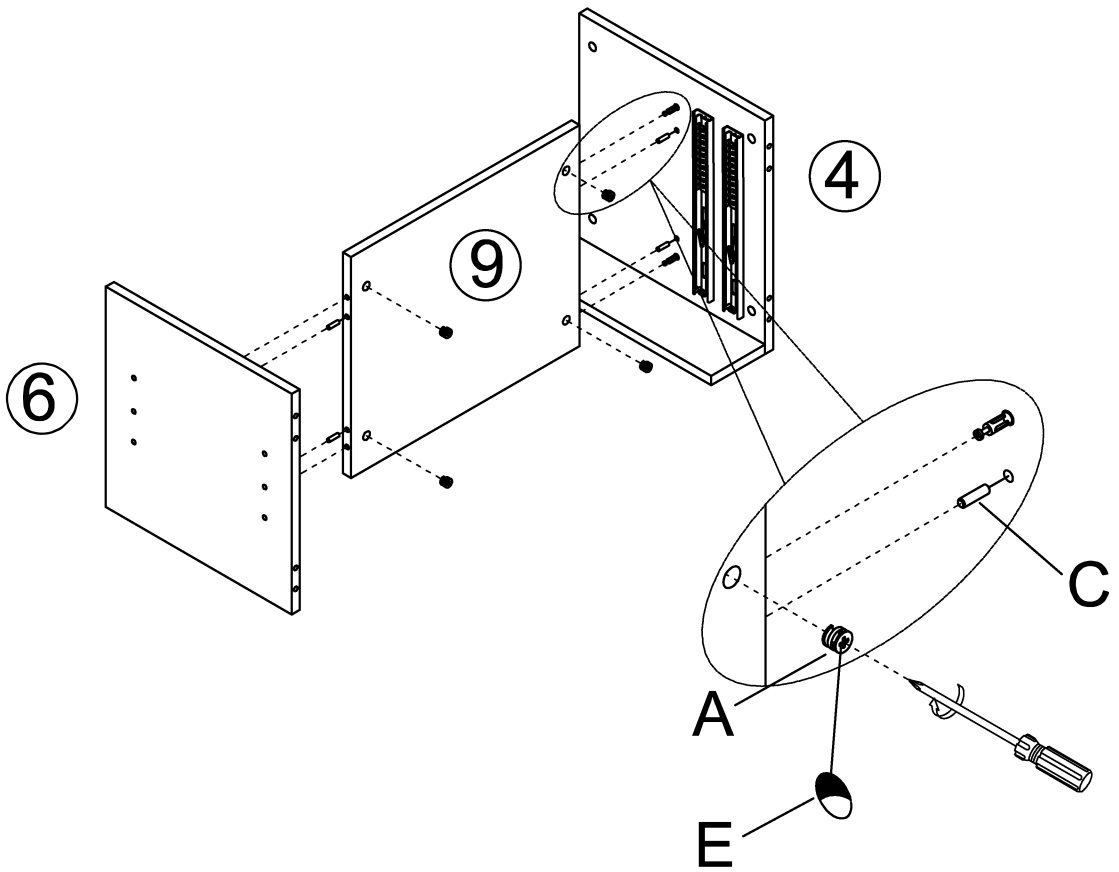


4

AX4 


CX4 

EX4 

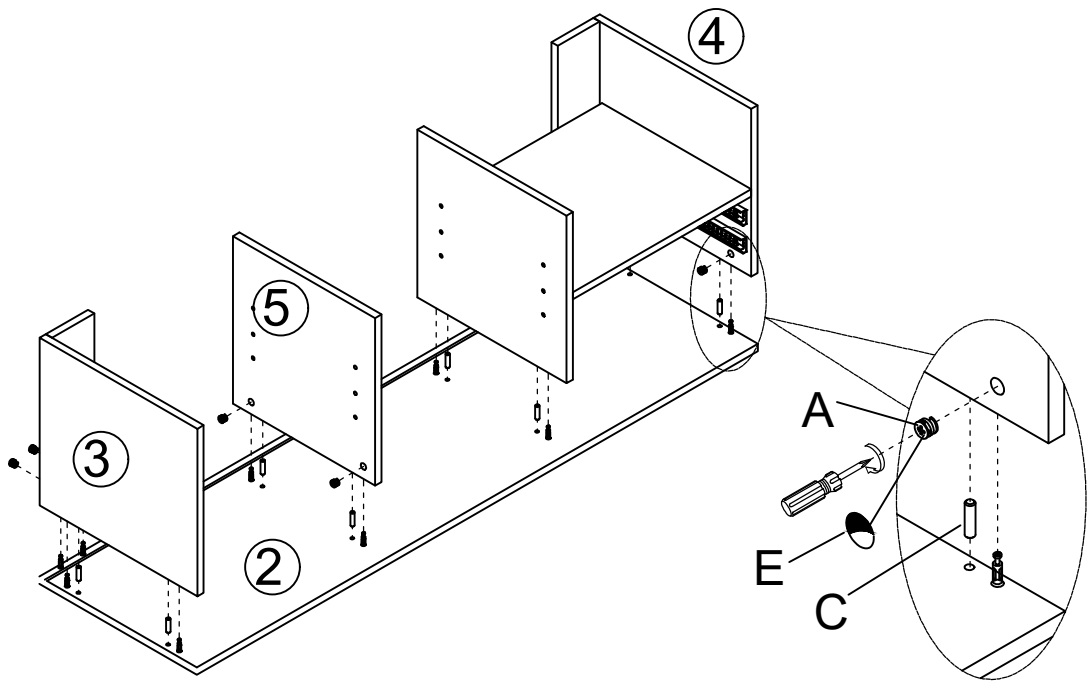


5

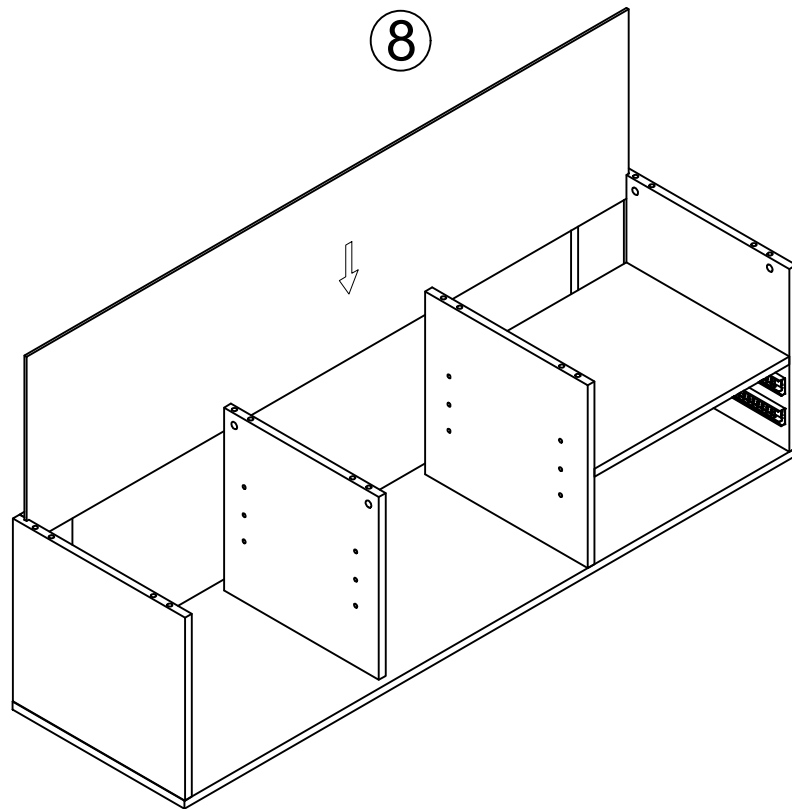
AX 12 

CX 8 

EX 12 





6




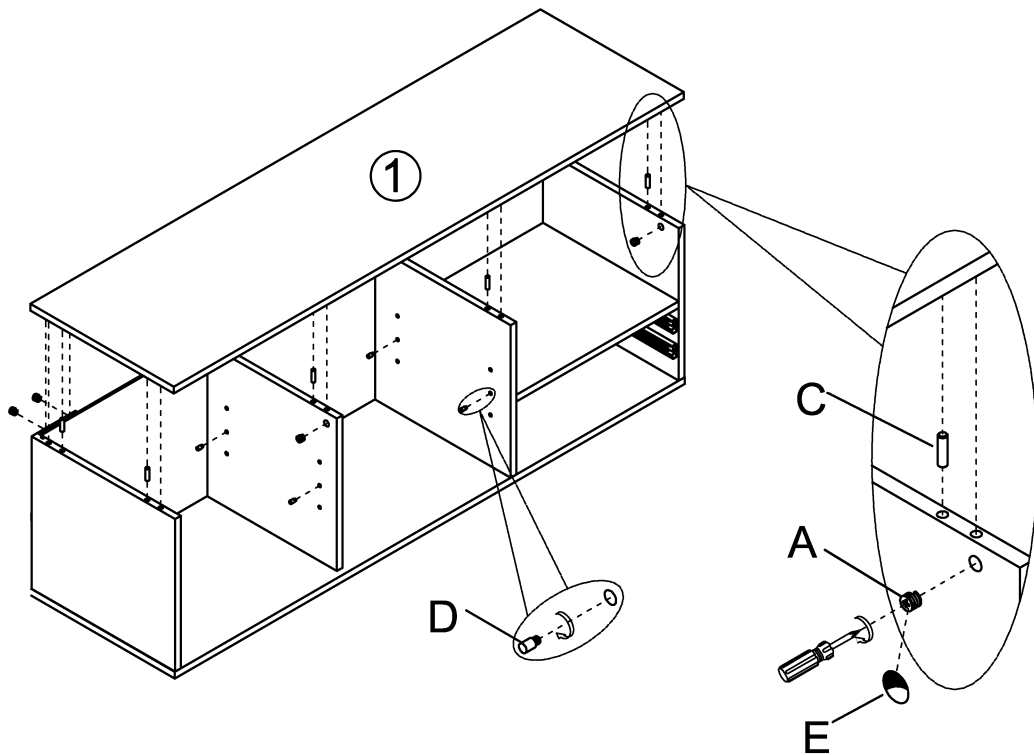
7

AX 12 


CX 8 


DX 8 

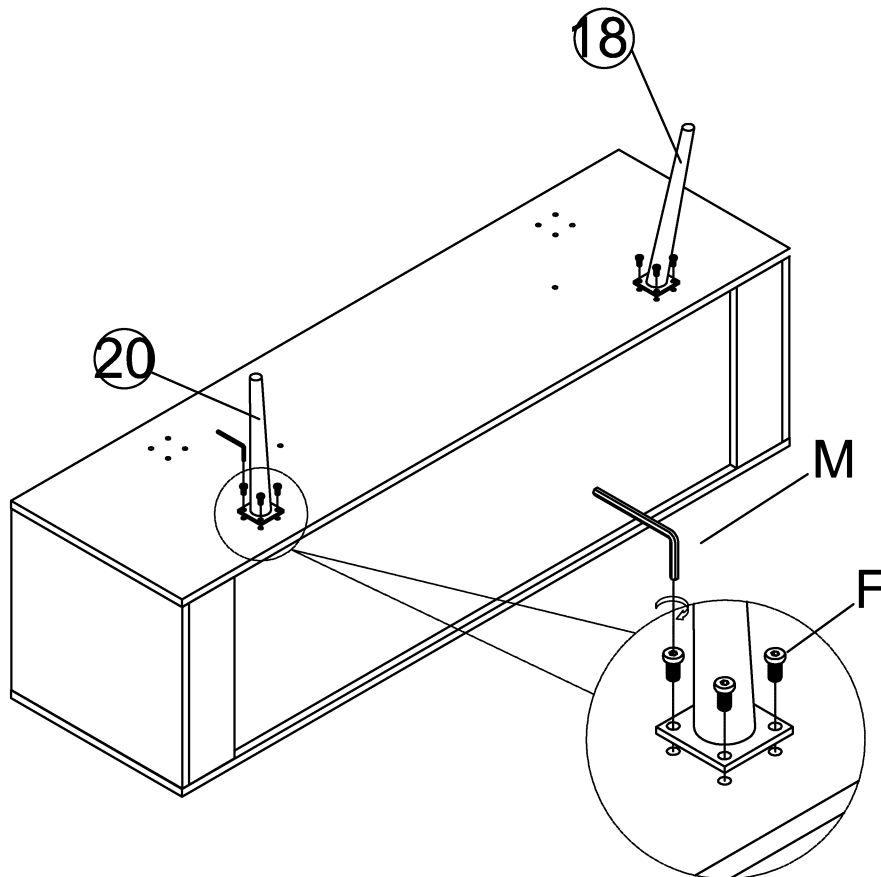
EX 12 




8


FX 8 


MX 1 

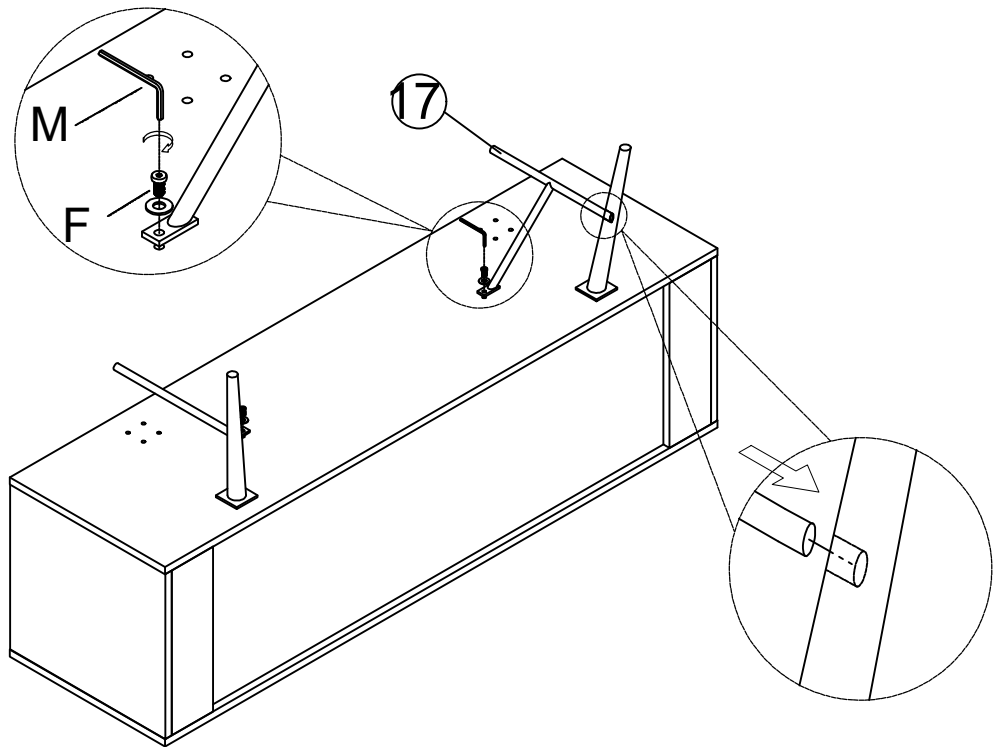


9


FX 2 


MX 1 


LX 2 

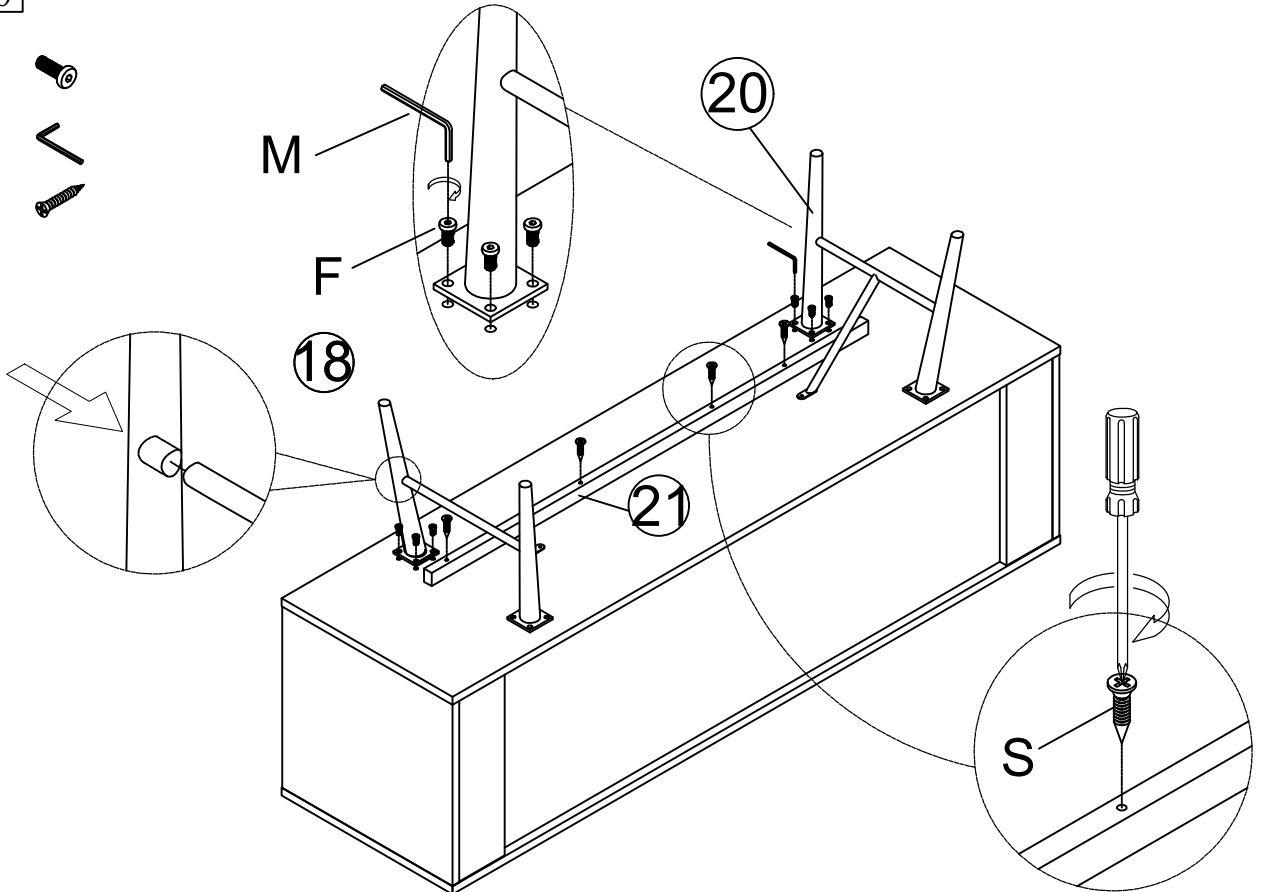


10



FX 8 

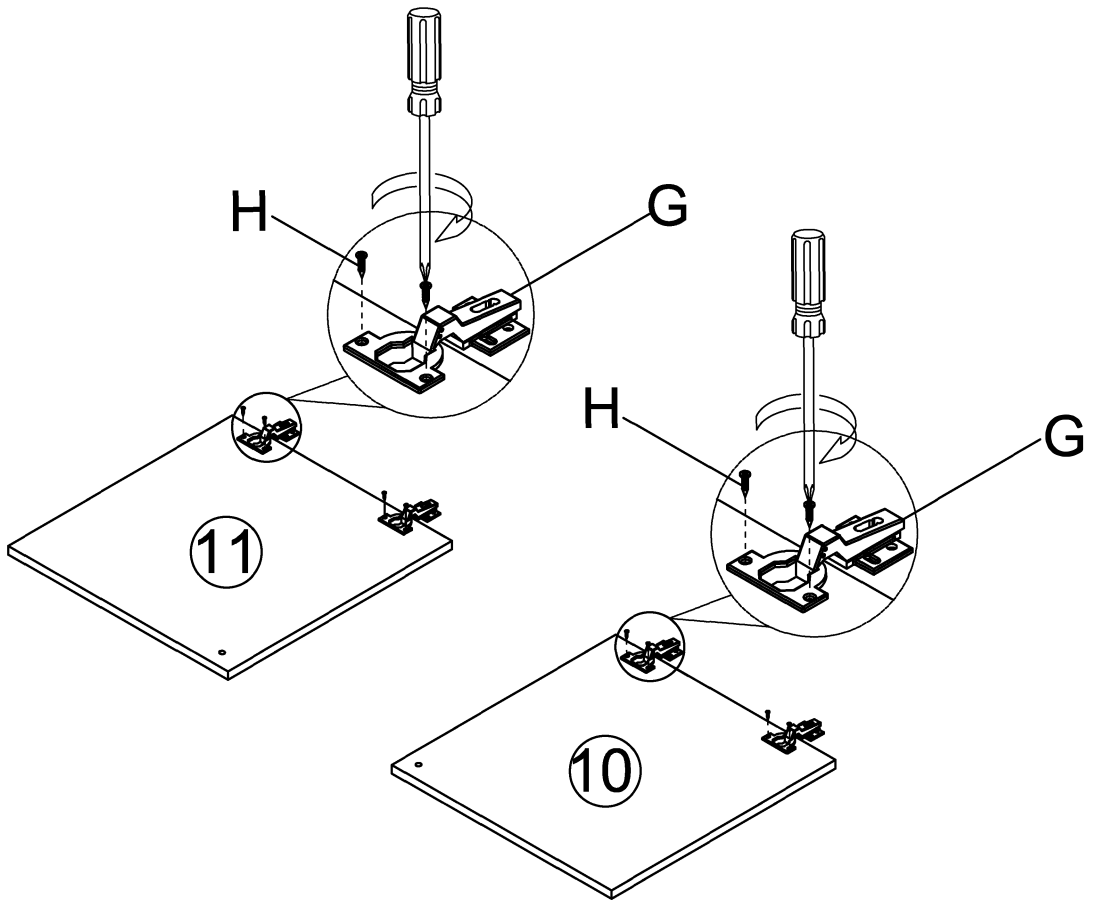
MX 1 

SX 5 




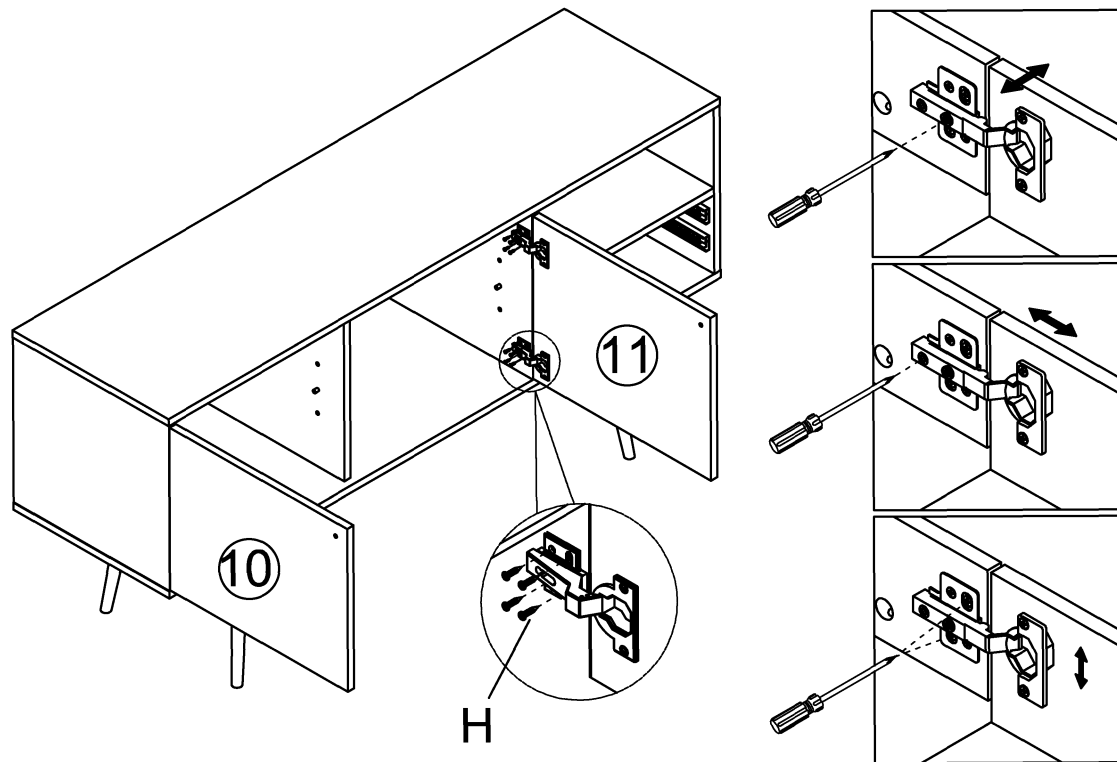
11

GX4   
HX8 





12

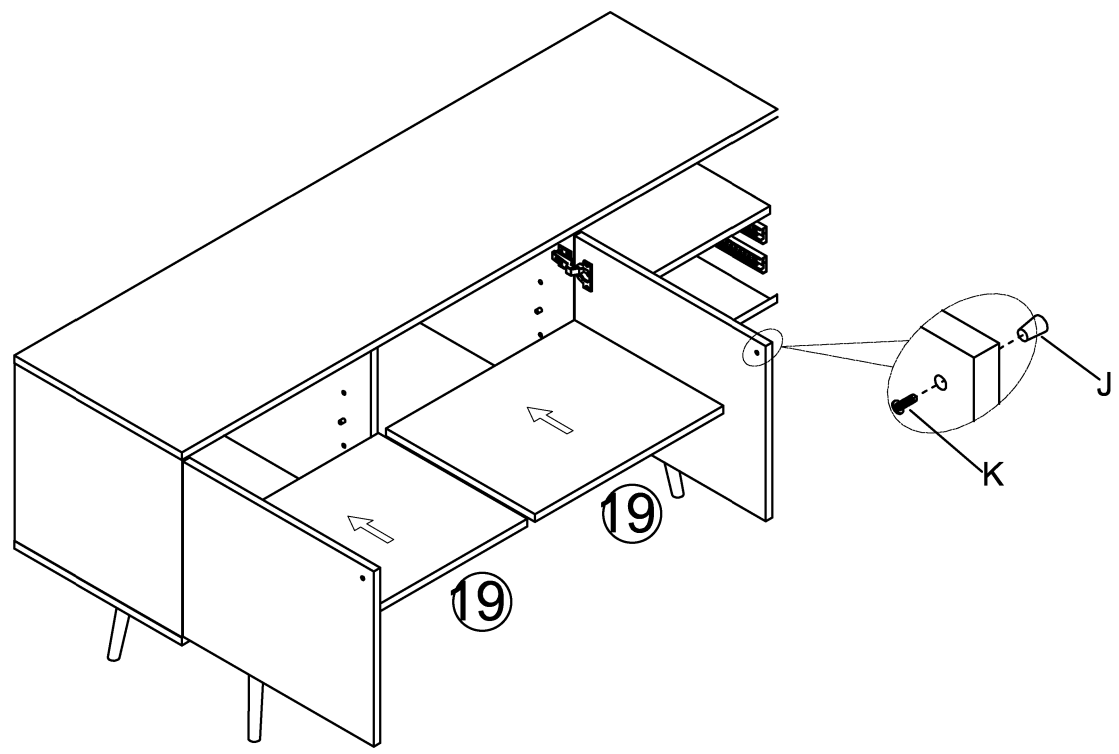
HX16 





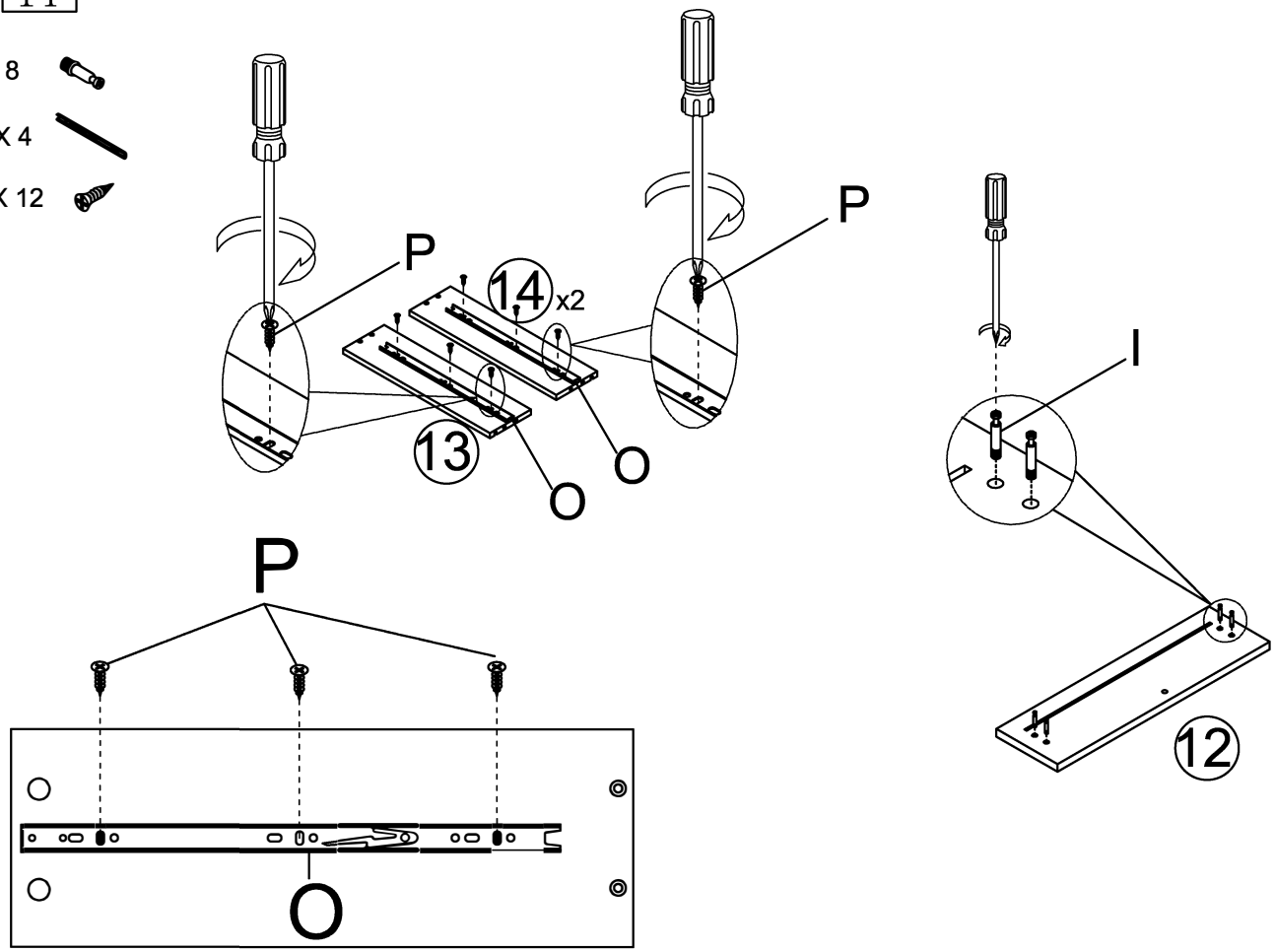
13

- J X 2 
- K X 2 





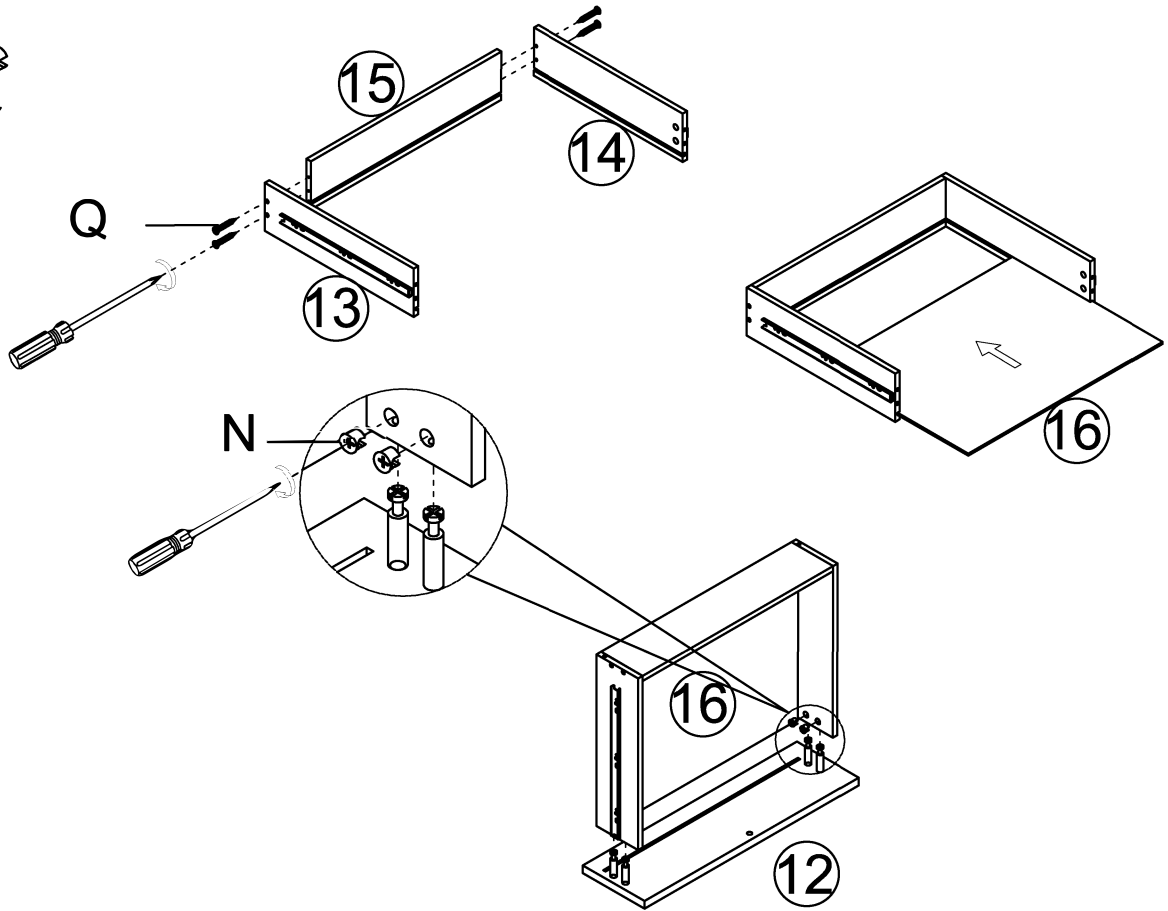
14

- I X 8 
- O X 4 
- P X 12 





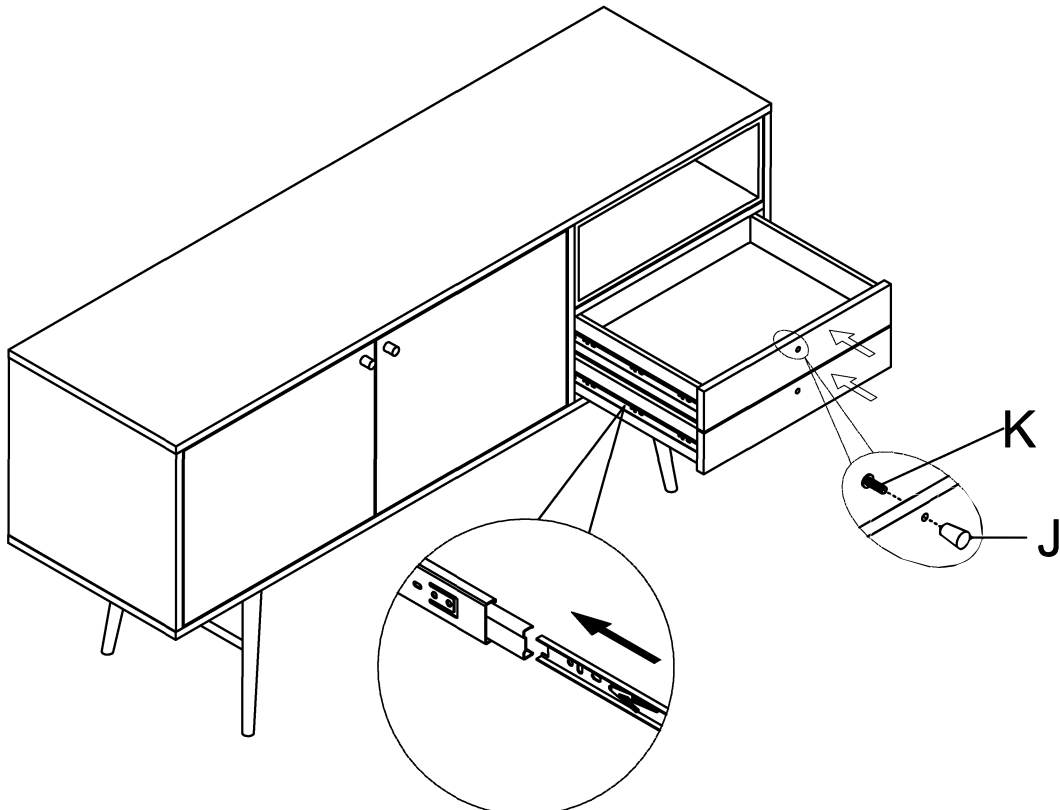
15

- N X 8 
- Q X 8 




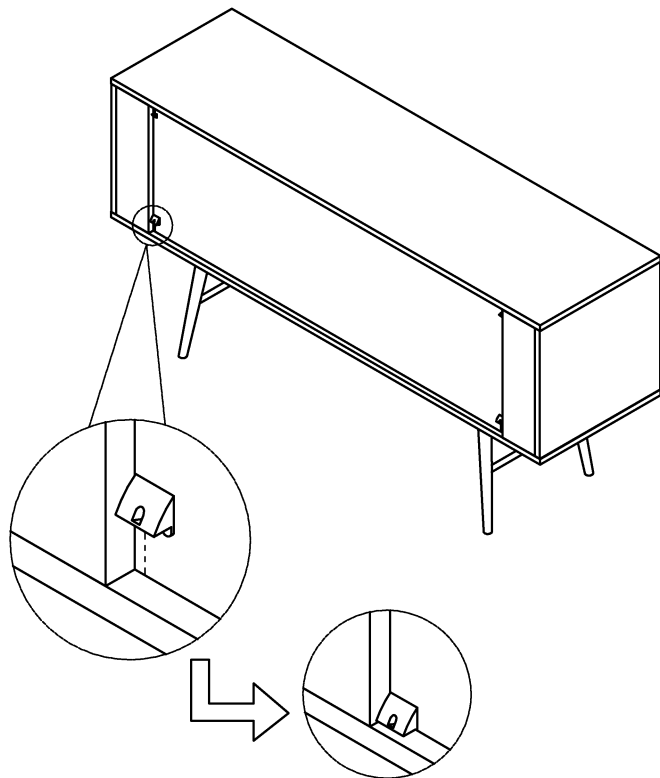
16

- J X 2 
- K X 2 



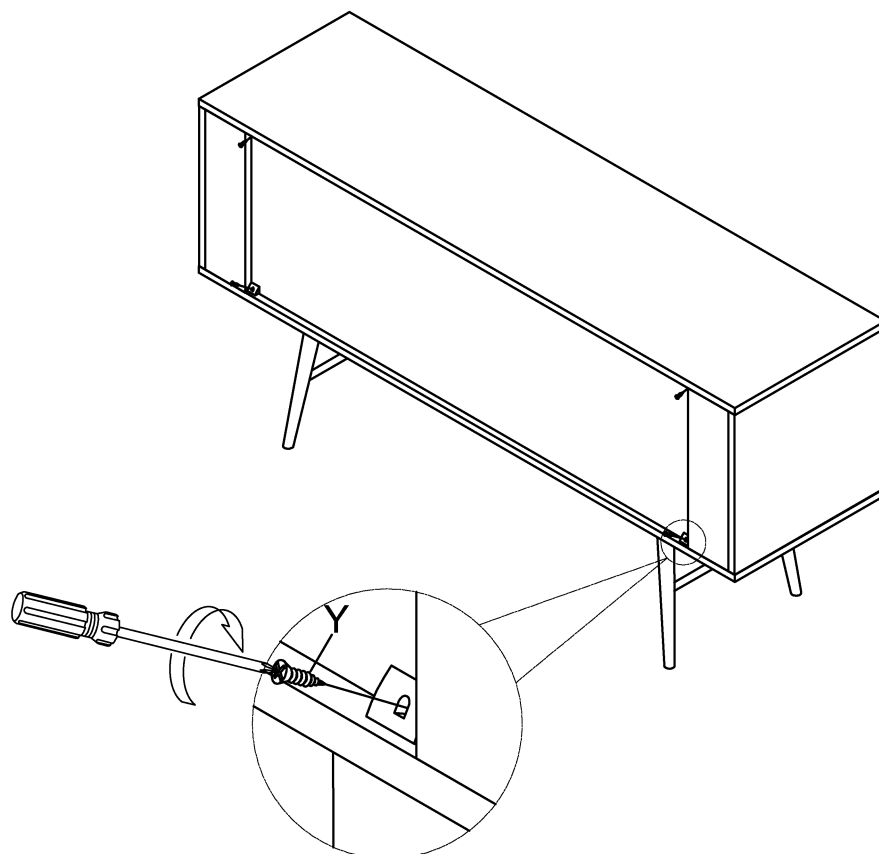
17

RX4 



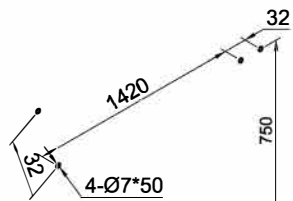
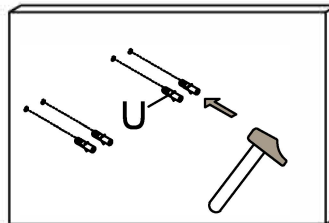
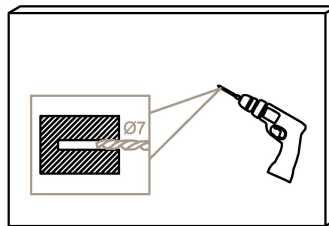
18

YX4 



19

XX 4



20

Y X 4



W X 4



Z X 2

