

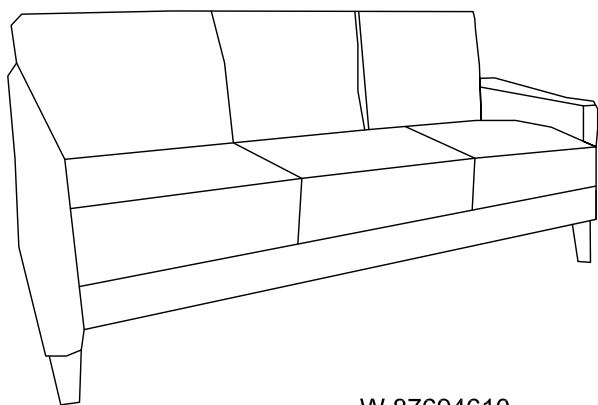
Assembly Instructions

W 87694608

W 87694609

W 87694610

W 87694611

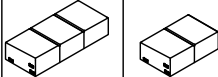
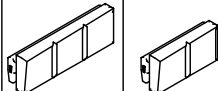






W 87694610
W 87694611

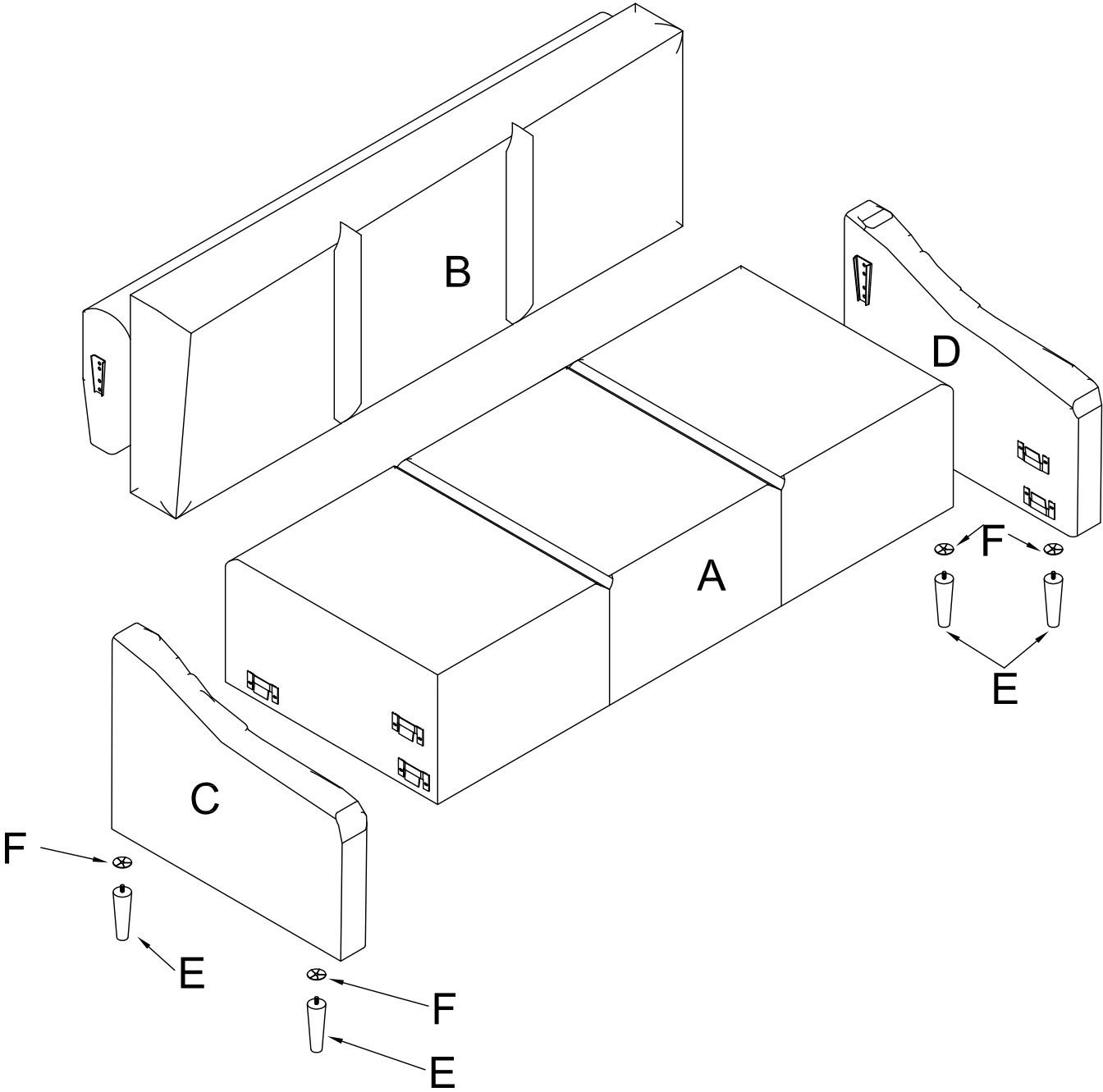


W 87694608
W 87694609

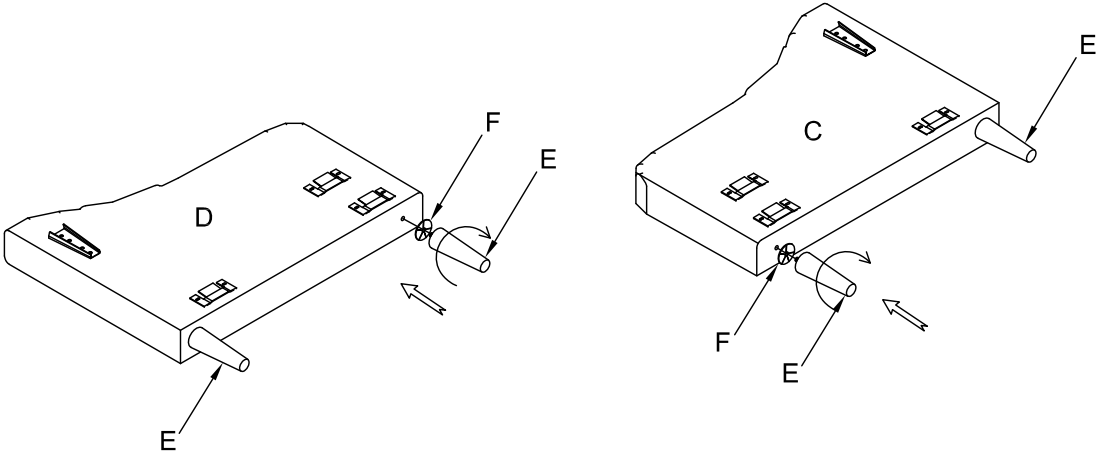
Component parts and fittings contained in the box

A.Back		1pc
B.Seat		1pc
C.Left arm		1pc
D.Right arm		1pc
E.Legs		4pcs
F.Plastic washers		4pcs

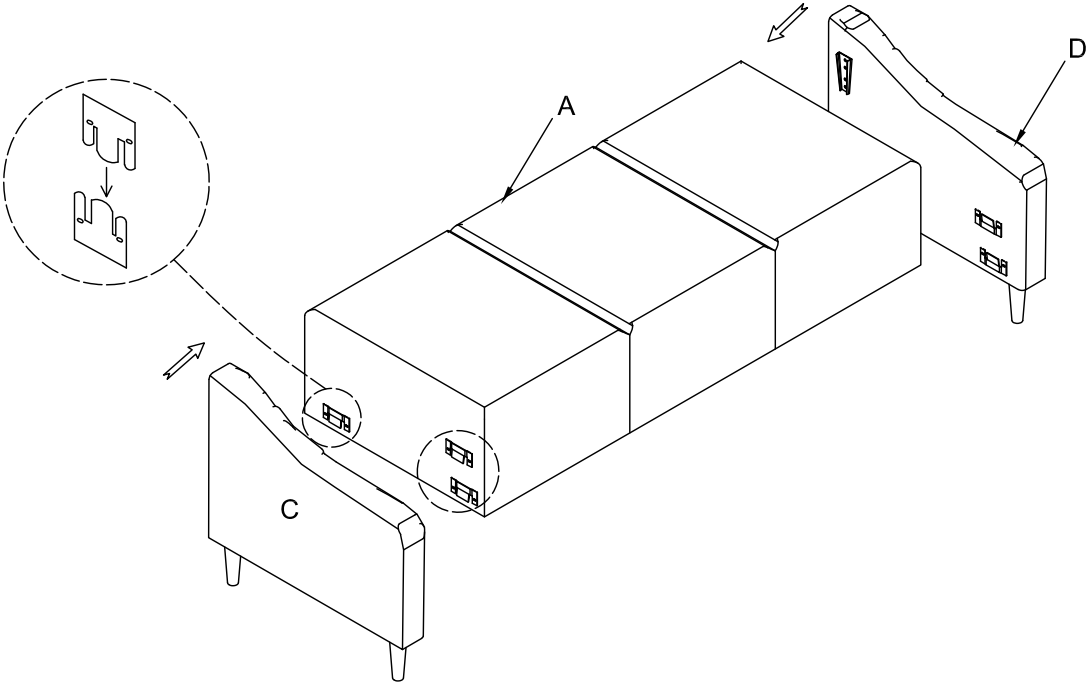
Detail view



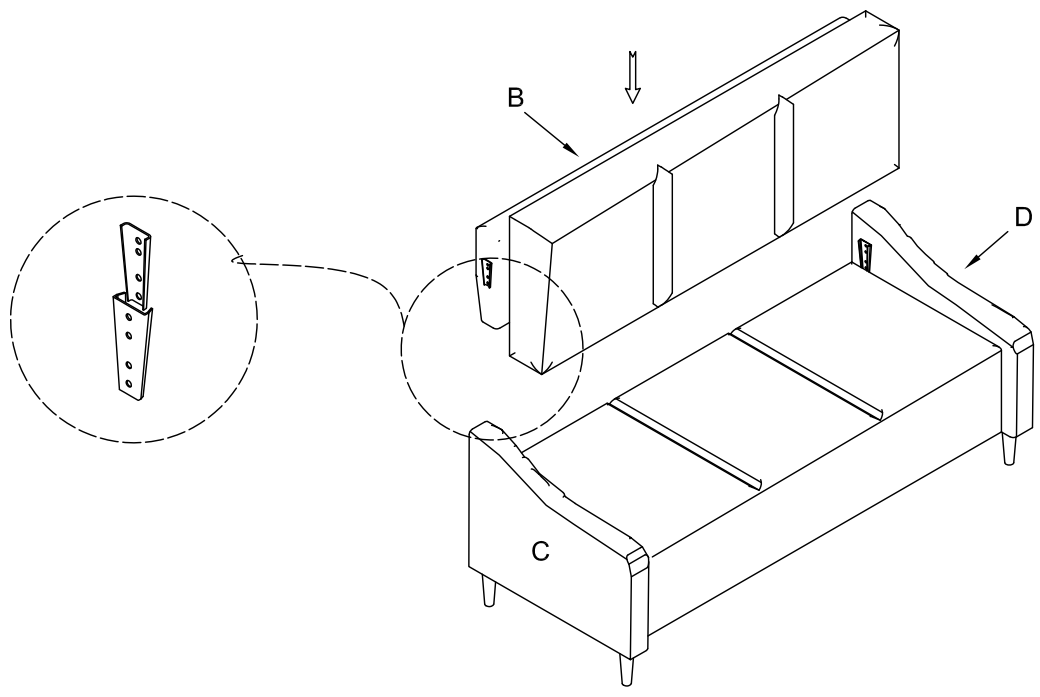
Step 1; Screw four legs (E) through washers (F) into the bottom of Arms (D and C) as shown.



Step 2; Assambling Arms (C and D) to the seat (A) as shown.



Step 3; Assambling the back (B) with Ears to the Arms (D and C) as shown.



Step 5; Finith

