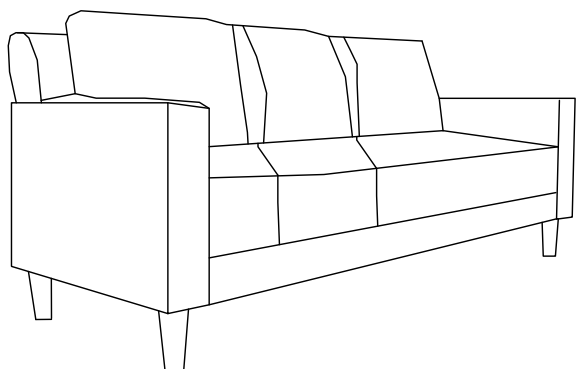


# Assembly Instructions

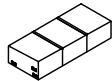
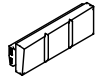






W 87694549

W 87694551

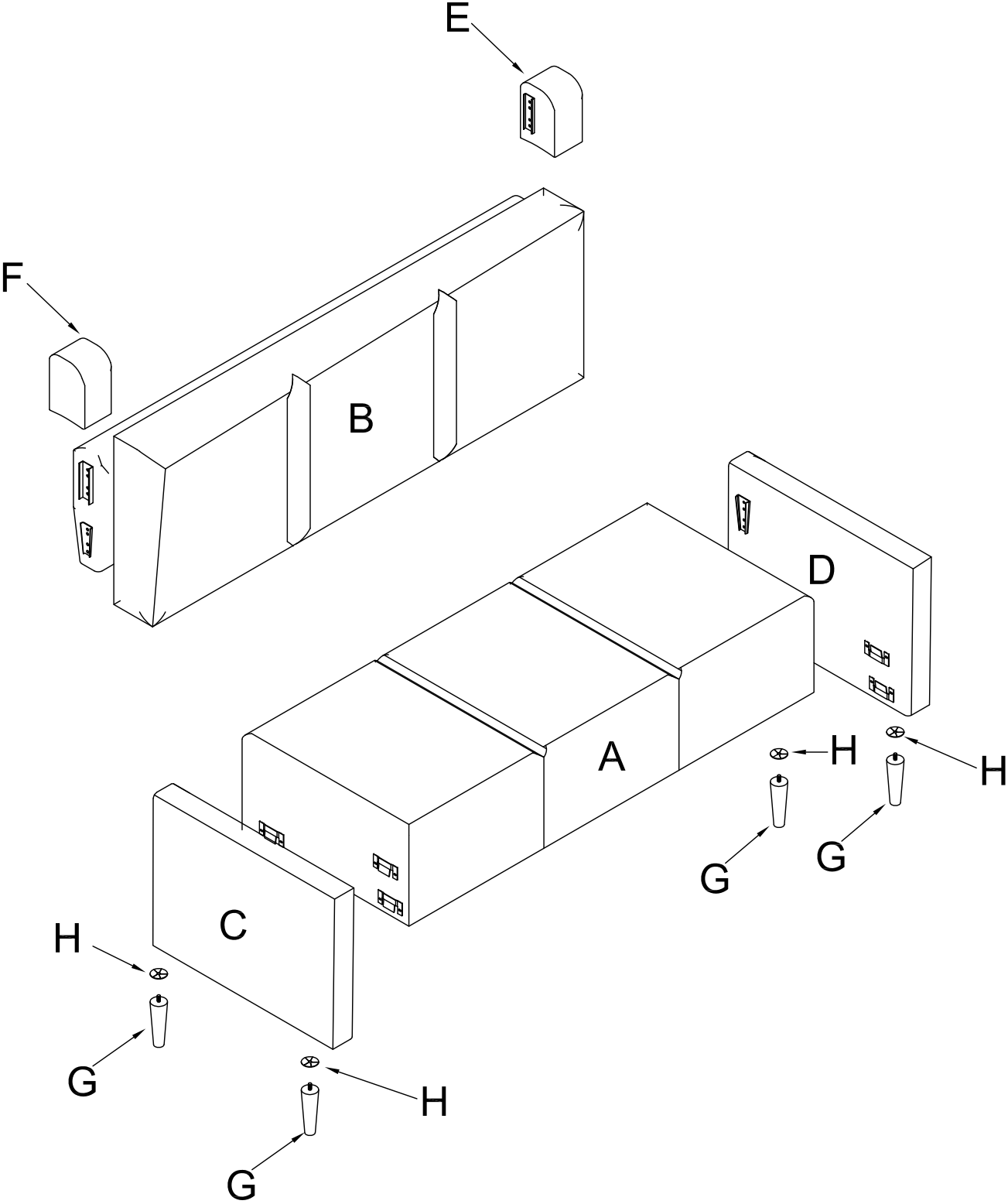
W 87694550



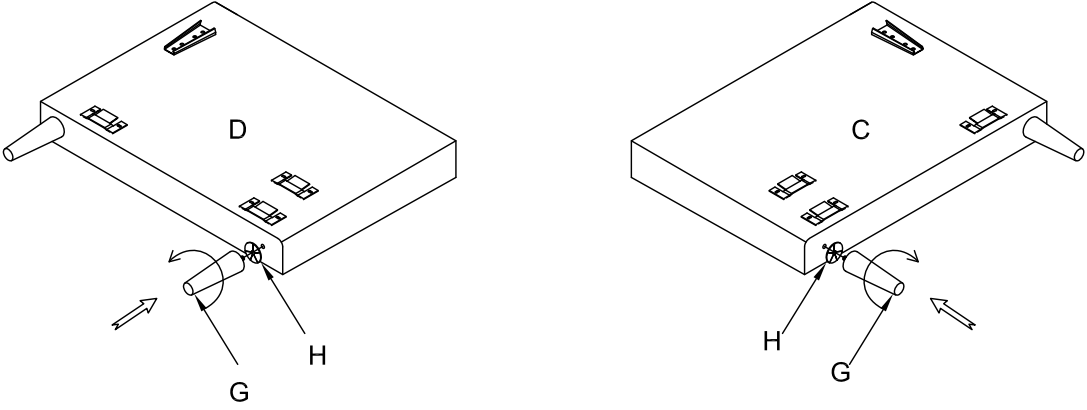
## Component parts and fittings contained in the box

A.Back		1pc
B.Seat		1pc
C.Left arm		1pc
D.Right arm		1pc
E.Left ear		1pc
F.Right ear		1pc
G.Legs		4pcs
H.Plastic washers		4pcs

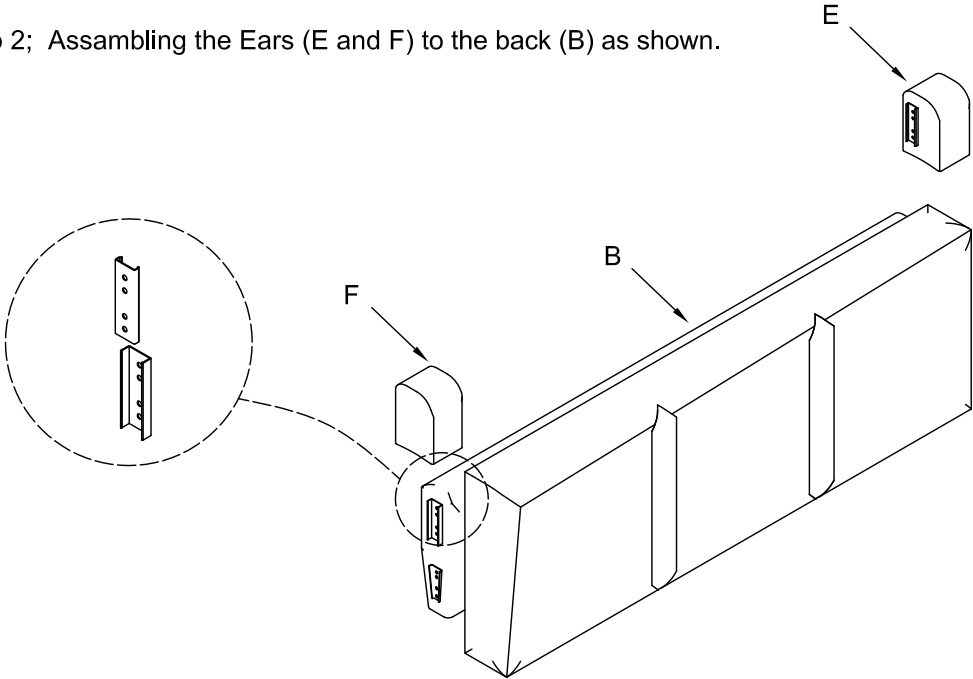
# Detail view



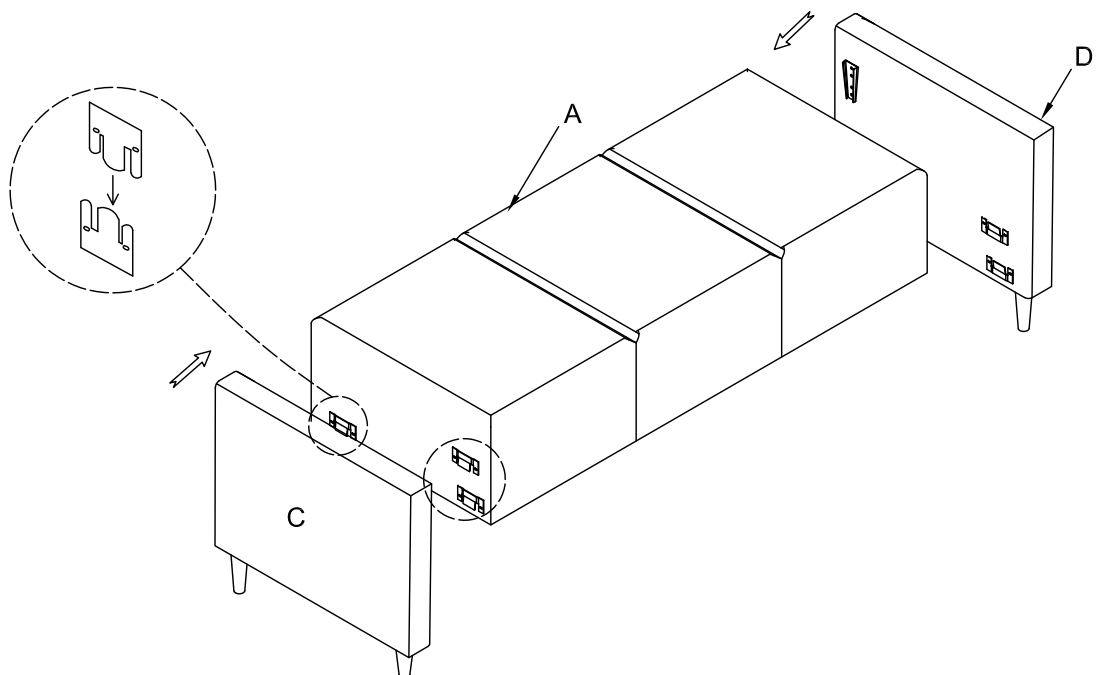
Step 1; Screw four legs (G) through washers (H) into the bottom of Arms (D and C) as shown.



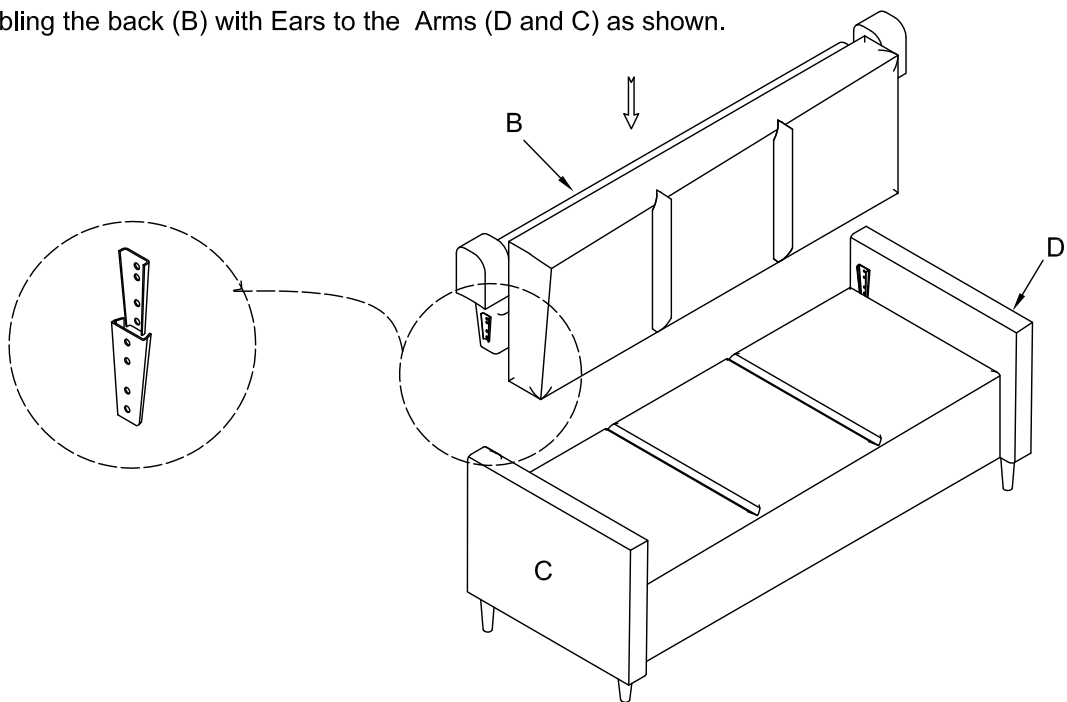
Step 2; Assambling the Ears (E and F) to the back (B) as shown.



Step 3; Assambling Arms (C and D) to the seat (A) as shown.



Step 4; Assambling the back (B) with Ears to the Arms (D and C) as shown.



Step 5; Finith

