
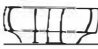



# SOFA ASSEMBLY INSTRUCTION

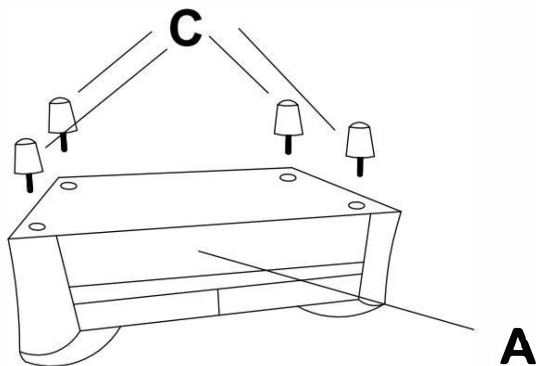
W87667403 & W87667405  
W87667407 & W87667408  
W87667409 & W876674010



## THANK YOU FOR PURCHASING SOFA PART LIST

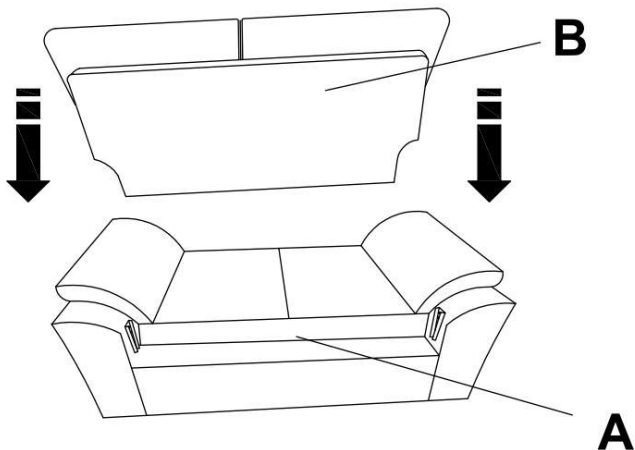
NO	DRAWING	QTY	DESCRIPTION
A		1	Chair & Loveseat Seat & Sofa
B		1	Back Cushion
C		4	Foot

STEP 1: Insert Foot(C) into the bottom of seater (A) by turning.  
As show in Figure



**STEP 2:**

Insert the back Cushion (B) into Seater (A) with connector brackets



---

**STEP 3: ASSEMBLED PRODUCT AS SHOWN IN FIGURE**

