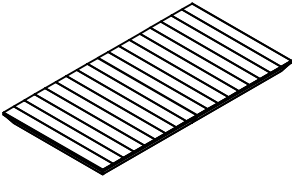
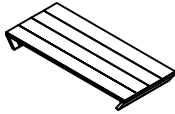
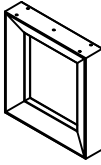
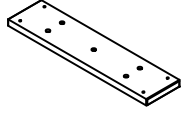

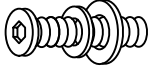

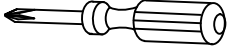
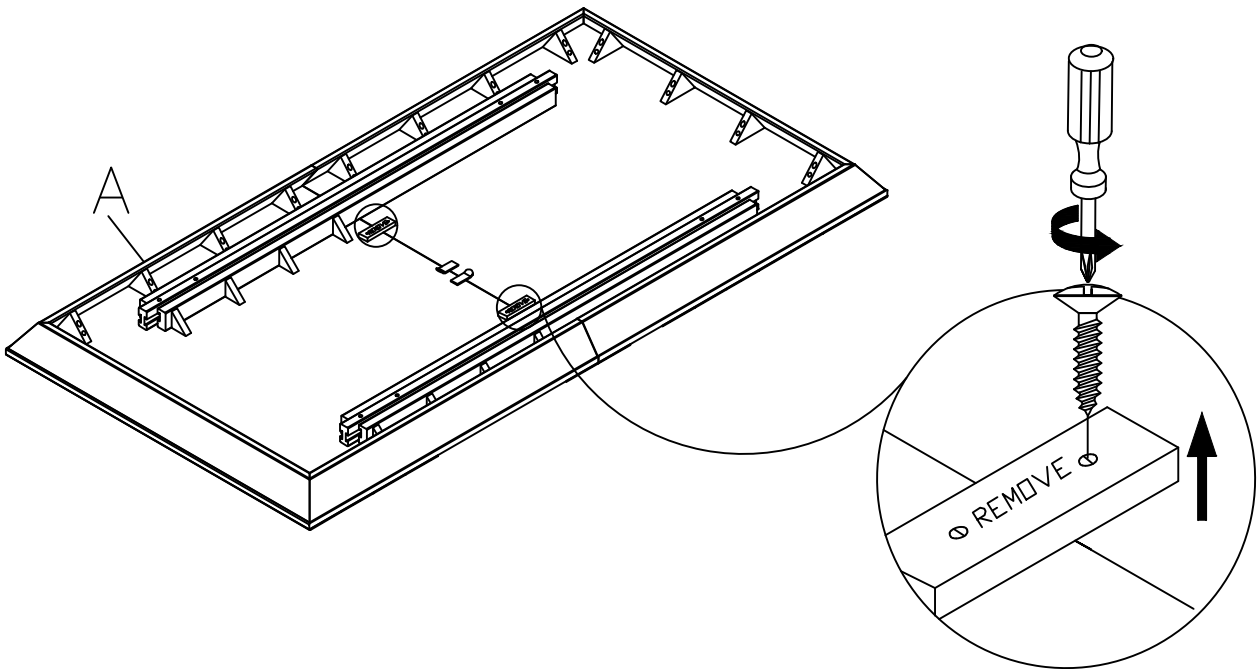
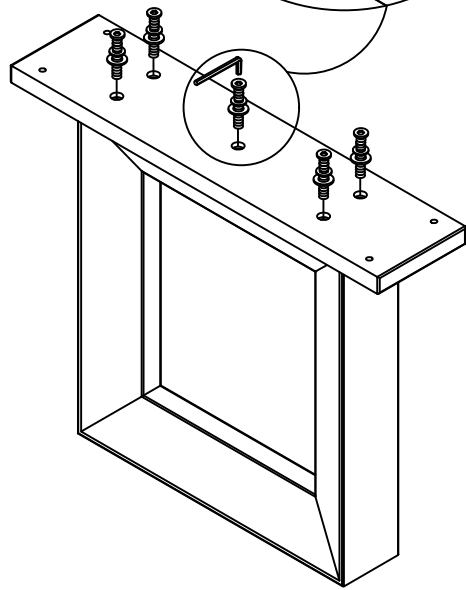
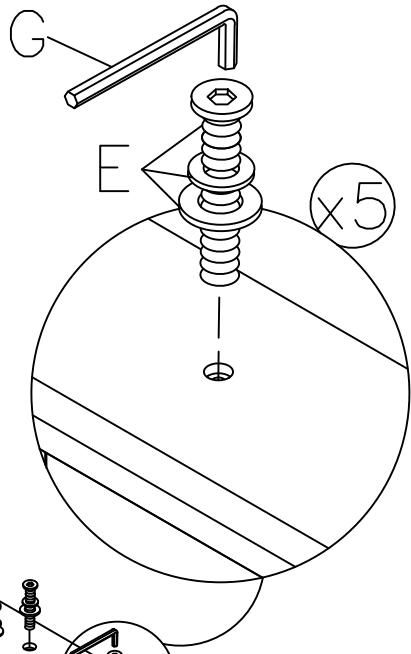
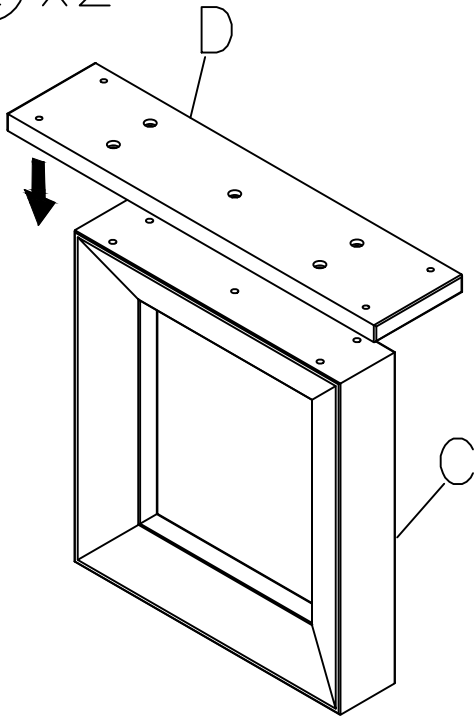


<p>Ax1</p> 	<p>Bx1</p> 	<p>Cx2</p> 	<p>Dx2</p> 
<p>Ex10</p>  <p>5/16" x 60mm</p>	<p>Fx8</p>  <p>5/16" x 50mm</p>	<p>Gx1</p>  <p>4mm</p>	 <p>Not Included No Se Adjunto Non Indus</p>

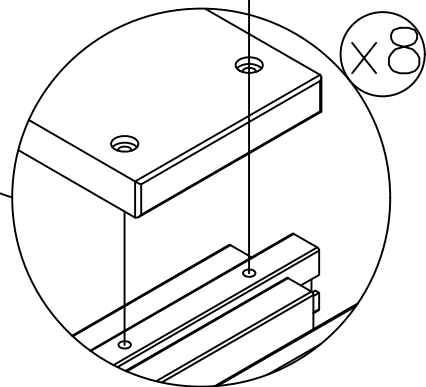
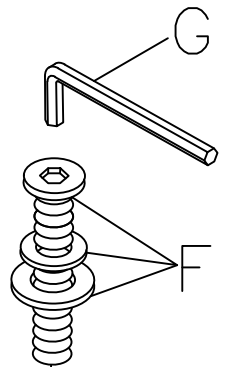
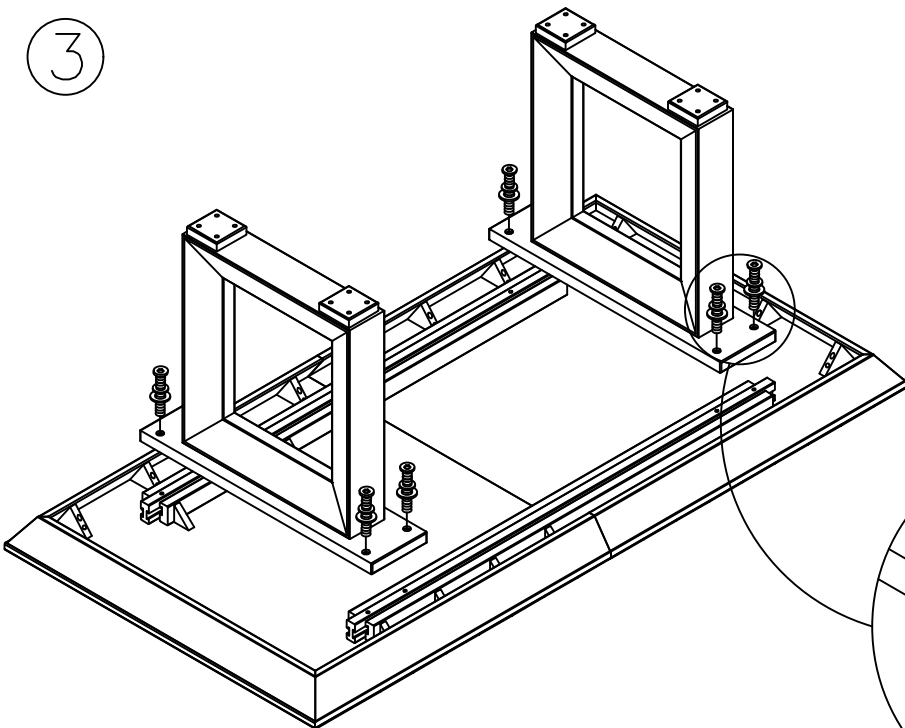
1



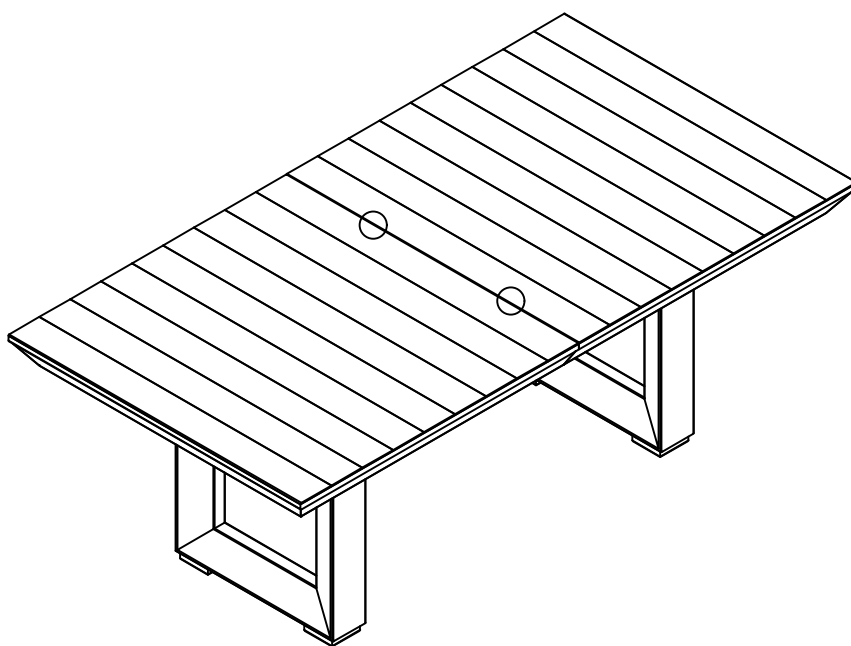
② x2



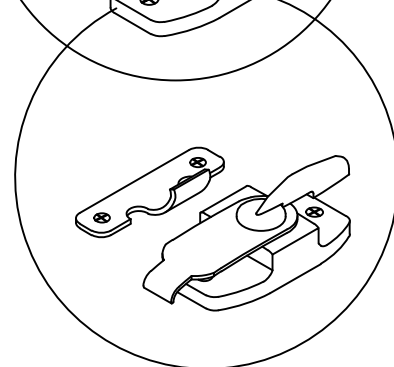
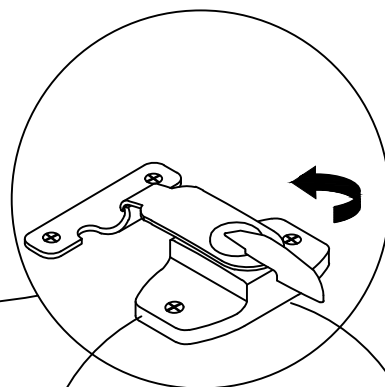
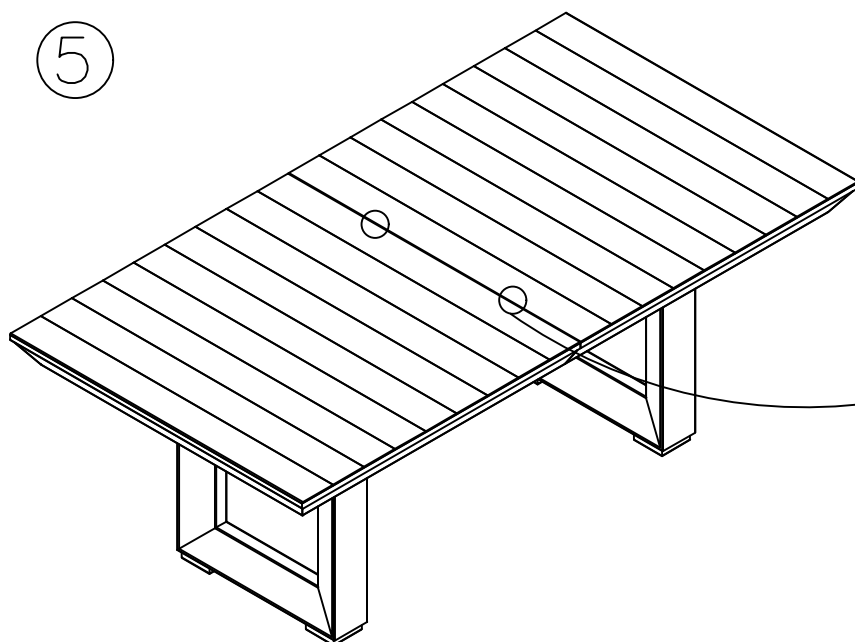
③



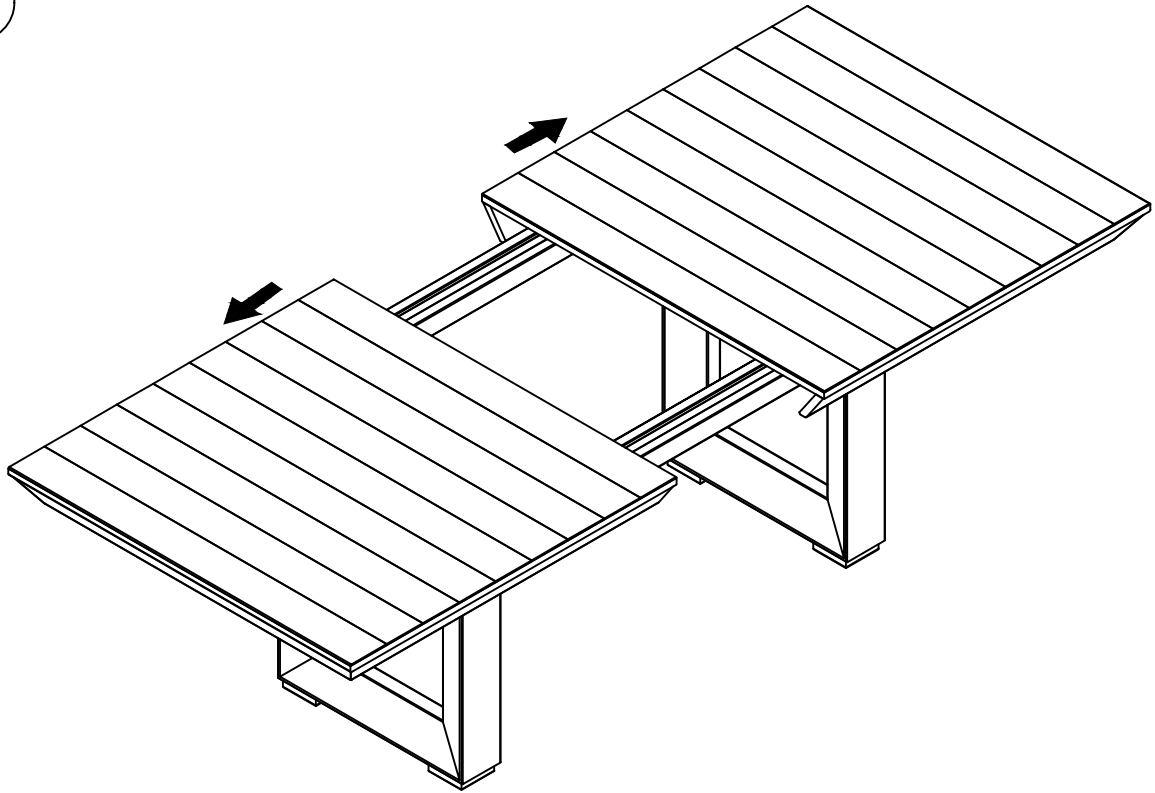
④



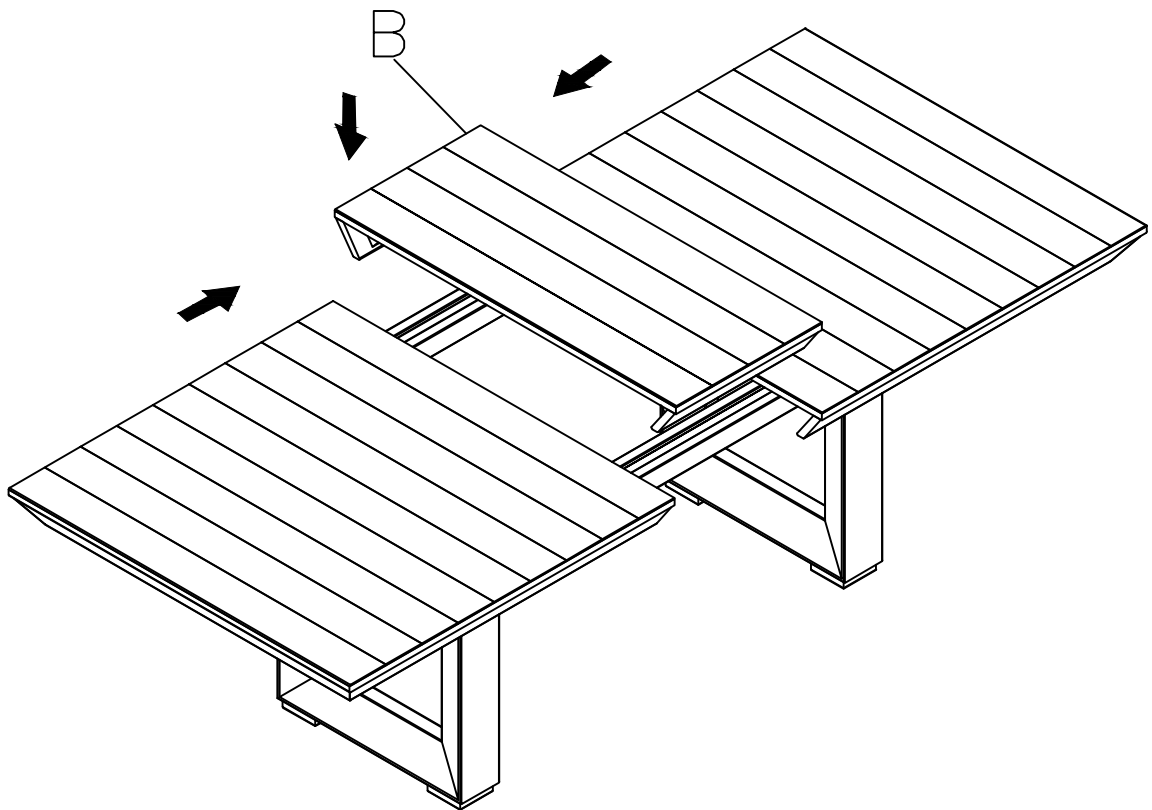
⑤



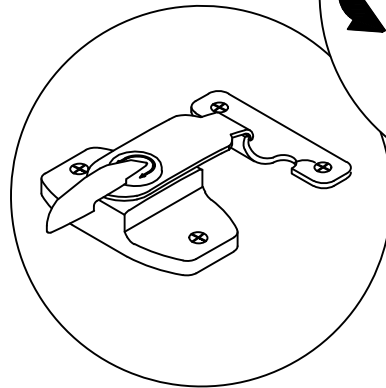
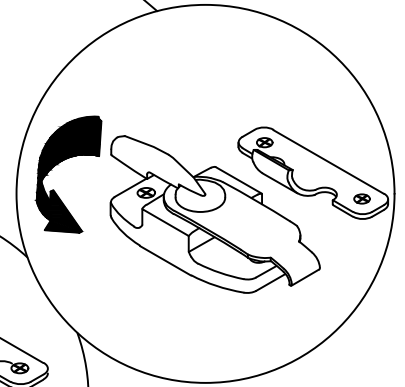
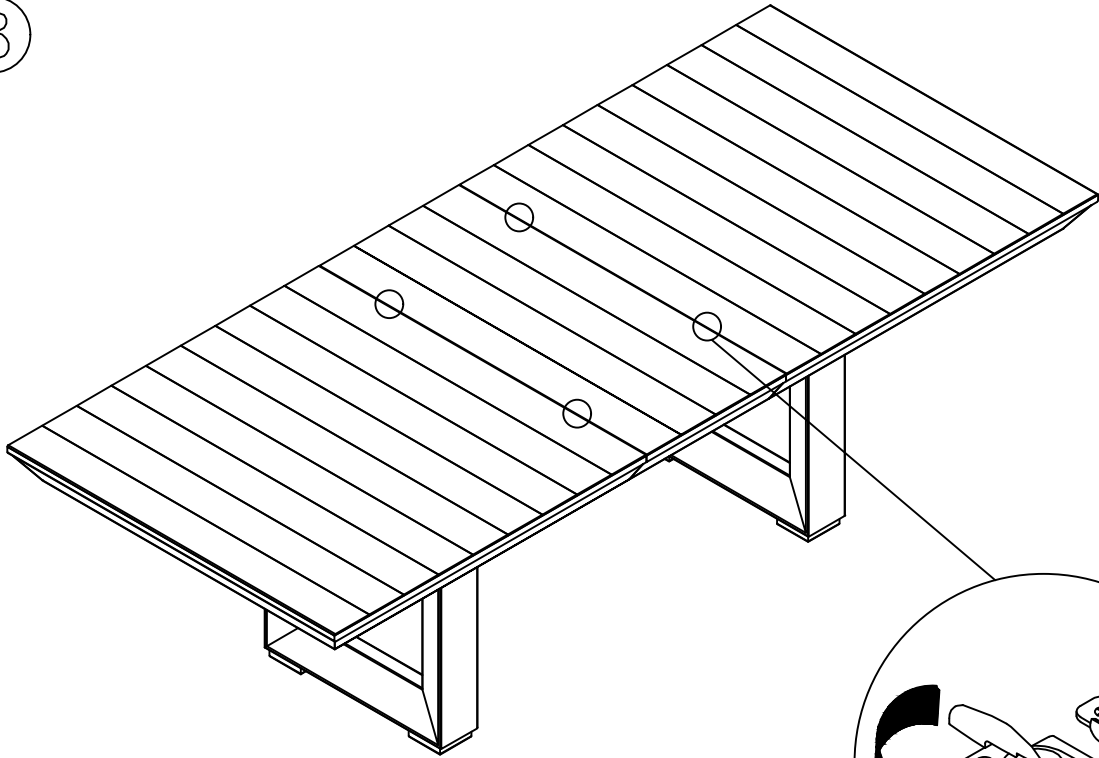
6



7



8



9

